

GROOVE

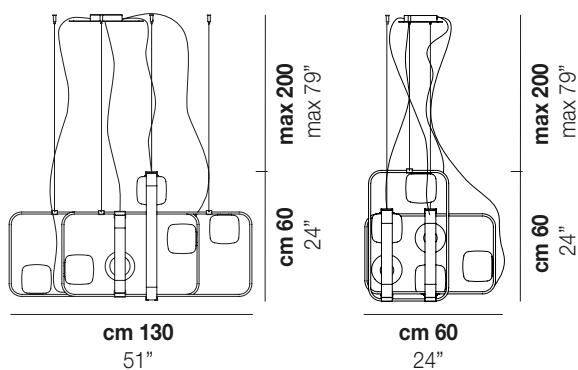
Design Hangar Design Group

GROOVE SP 4



The collection is inspired by the rigorous design of lines and surfaces of early 1960s minimalism. Regular shapes are contrasted with softer elements through the skillful use of metal finishes and glass fabrication. The structure has been designed to allow great flexibility thanks to a fixing system of the four metal frames, which, by sliding, create ever new geometries to better.

GROOVE SP 4



TECHNICAL DATA:



CERTIFICATIONS:



LIGHT SOURCES

6x40W 120V/60HZ E12

VOLUME Mc 0,49
 GROSS WEIGHT Kg 22
 NET WEIGHT Kg 17

download



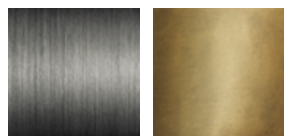
SHADE FINISHING



BCST

BCSF

FRAME FINISHING

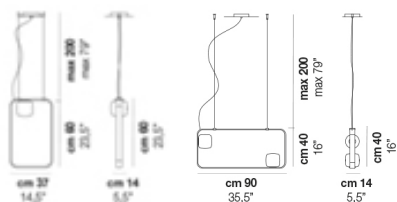


ANT

BR2

OTHER VERSION AVAILABLE

Click on the version to go to the web version of the product



GROOV SP 60

GROOV SP 90