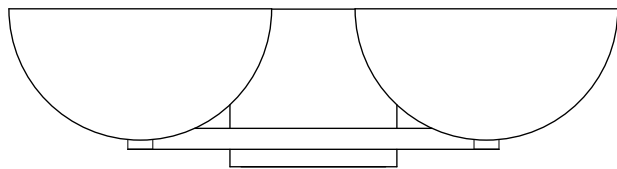
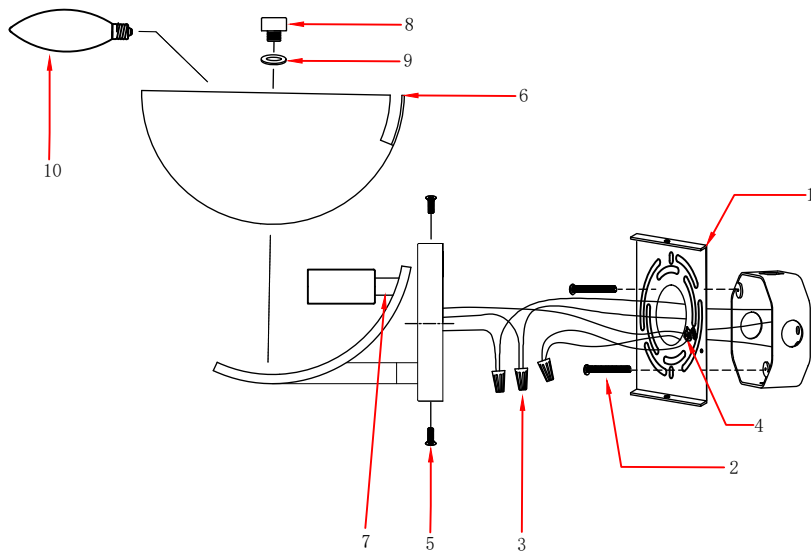


ASSEMBLY AND INSTALLATION INSTRUCTIONS

WARNING: TO AVOID RISK OF ELECTRICAL SHOCK, BE SURE TO SHUT OFF POWER BEFORE INSTALLING OR SERVICING THIS FIXTURE.



Before You Begin:

- Ensure power is turned off at the circuit breaker before installation.
- Read all instructions carefully.
- Installation should be performed by a qualified electrician if you are unfamiliar with wiring.

Step-by-Step Installation:

1. Remove the mounting plate (1) from the fixture. Secure it to the junction box using the provided screws (2).
2. Wiring Connections
 - Use wire connectors (3) to connect the black (hot) wire to the black wire, the white (neutral) wire to the white wire.
 - Secure the ground wires to the mounting plate (1) using the green screw (4).
 - Ensure no exposed conductors remain outside wire connectors or outside the junction box.
3. Tuck all wires into the junction box, then secure the fixture to the mounting plate (1) using screws (5).
4. Align the notch of the glass shade (6) with the tube (7), tilt and slide it upward from below. Secure the glass shade (6) to the fixture using the screw (8) and rubber gasket (9) as shown in the diagram.
5. Install light bulbs into sockets (bulbs not included). Do not exceed maximum wattage.

Safety Instructions:

To avoid fire, shock, and serious personal injury, follow all instructions carefully.

1. Do not install or use the light fixture if any part is missing or damaged.
2. To avoid possible electrical shock, be sure electricity is turned off at the main fuse or circuit breaker box before wiring.
3. Make certain no bare wires are exposed outside the wire connectors.
4. All wiring must conform to national and local electrical codes.
5. Follow the recommended instructions for the proper method of wiring your new light fixture. If you feel you do not have enough electrical wiring knowledge or experience, have your light fixture installed by a licensed electrician. Any electrical work not described in this manual should be performed by a licensed electrician.