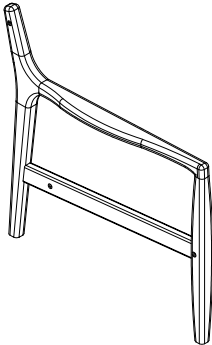
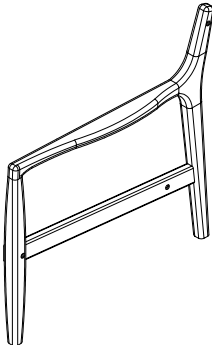
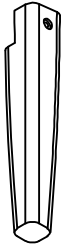
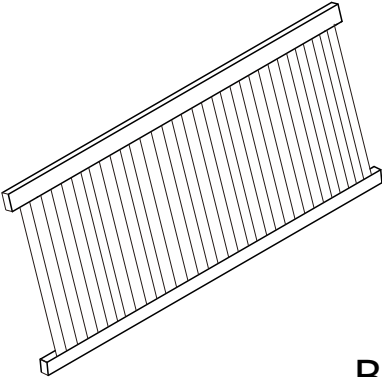
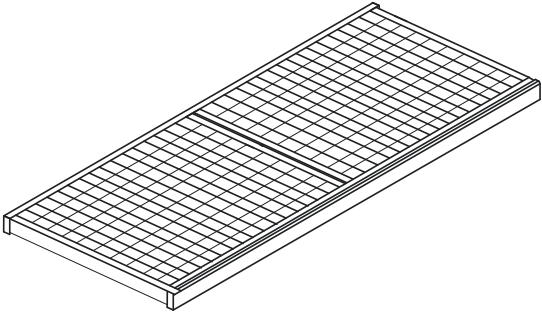

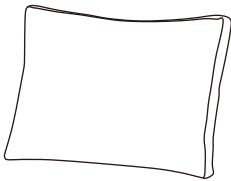


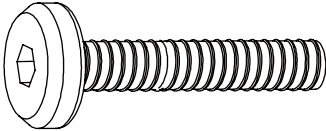
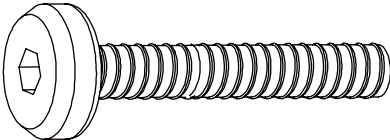
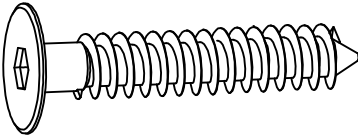

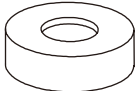
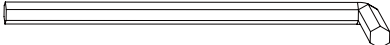
Assembly Instructions

NUMBER	COMPONENT	QUANTITY
A	 <p data-bbox="954 817 1161 869">Right arm</p>	1PC
B	 <p data-bbox="970 1254 1145 1305">Left arm</p>	1PC
C	 <p data-bbox="946 1691 1169 1747">Middle leg</p>	1PC

Assembly Instructions

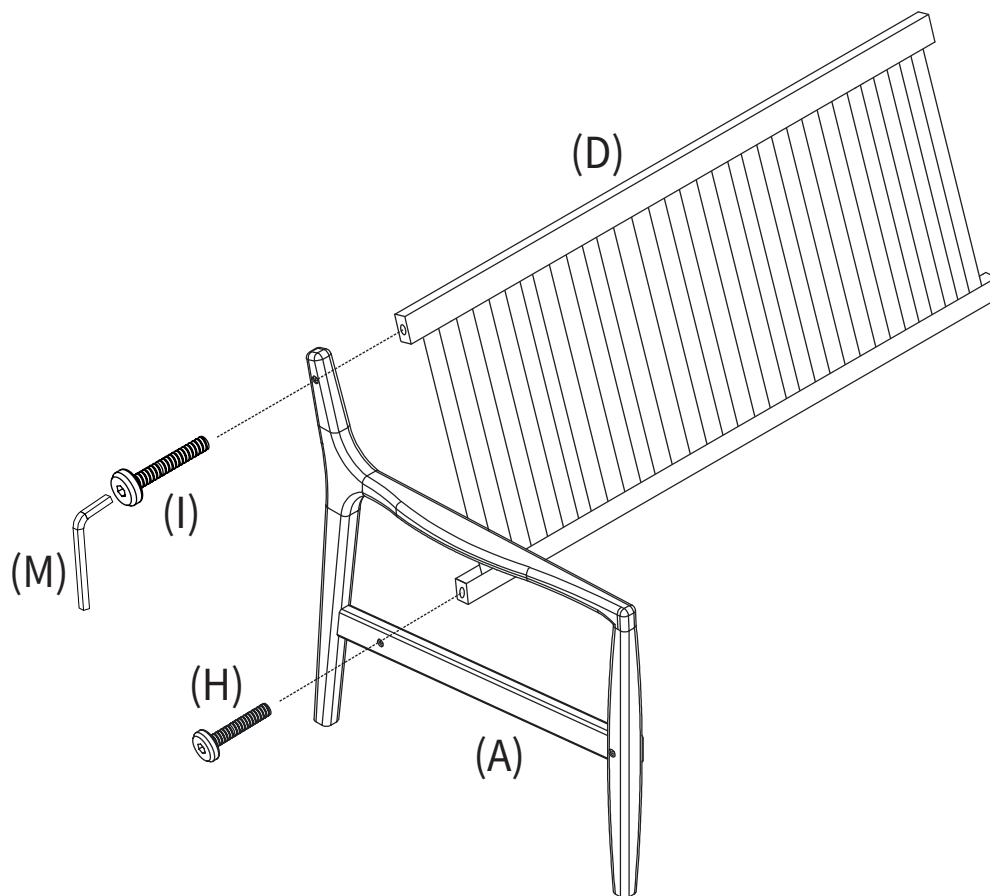
NUMBER	COMPONENT	QUANTITY
D	 <p>Backrest</p>	1PC
E	 <p>Seat</p>	1PC
F	 <p>Seat cushion</p>	2PCS
G	 <p>Back cushion</p>	2PCS

Assembly Instructions

NUMBER	COMPONENT	QUANTITY
H	 BoltM6x40mm	7PCS
I	 BoltM6x55mm	4PCS
J	 ScrewM6x50mm	4PCS
K	 M6 Flat washer	8PCS
L	 M6 Plastic washer	4PCS
M	 Allen Key	1PC

Assembly Instructions

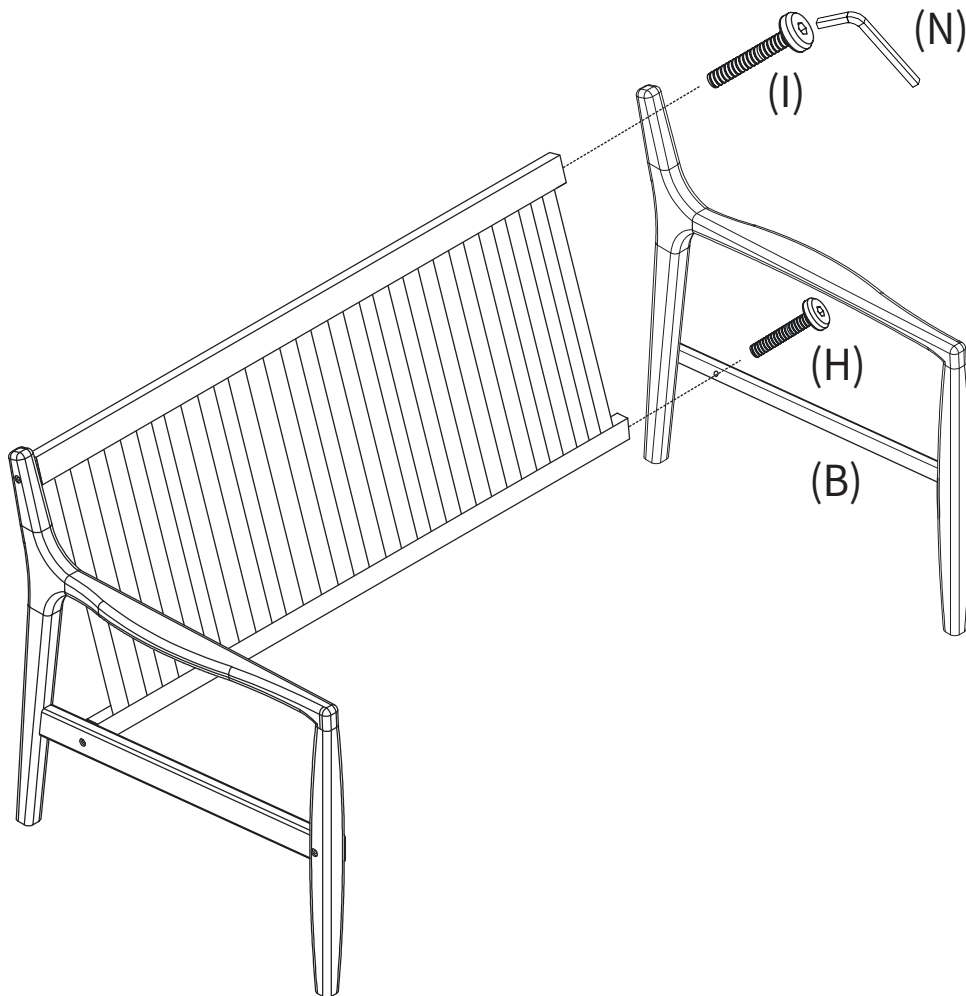
1



Place Right arm (A) in corresponding positions with Backrest (D).
Secure with Bolt M6x40 (H) and Bolt M6x55 (I) in the order as shown.
Engage all of the bolts by hand, then tighten them using the Allen key (M).

Assembly Instructions

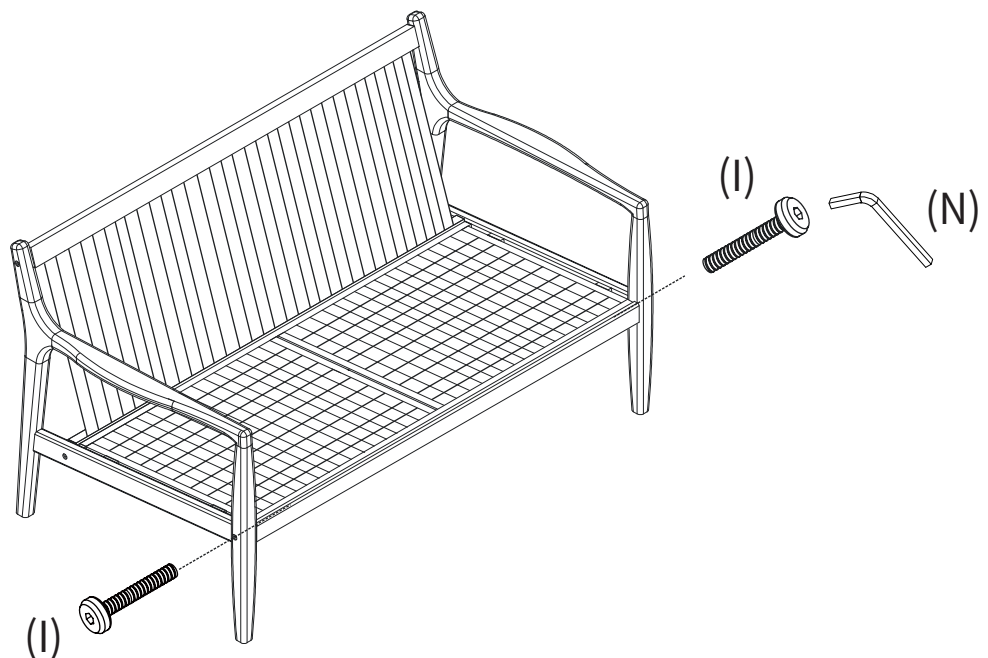
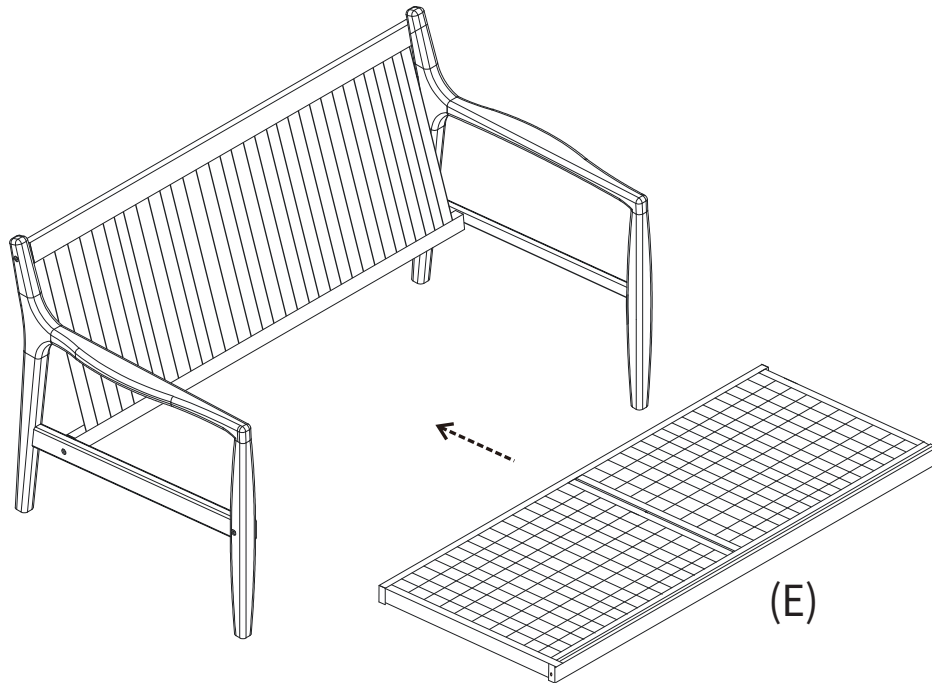
2



Place Left arm (B) in corresponding positions with Backrest (D).
Secure with Bolt M6x40 (H) and Bolt M6x55 (I) in the order as shown.
Engage all of the bolts by hand, then tighten them using the Allen key (N).

Assembly Instructions

3



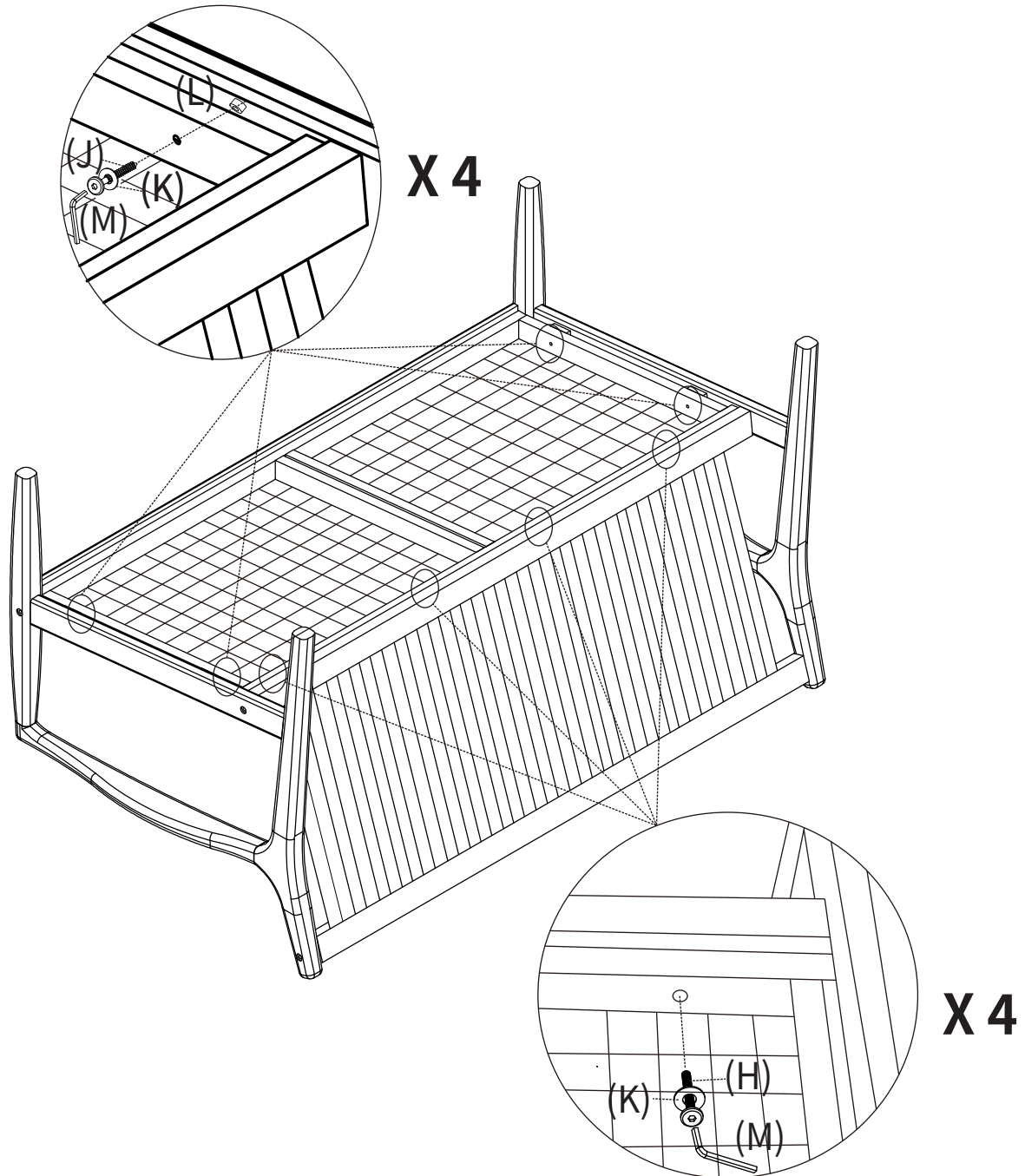
Place Seat (E) between Right arm (A) and Left arm (B) in corresponding positions.

Secure with Bolt M6x55 (I) in the order as shown.

Engage all of the bolts by hand, then tighten them using the Allen key (N).

Assembly Instructions

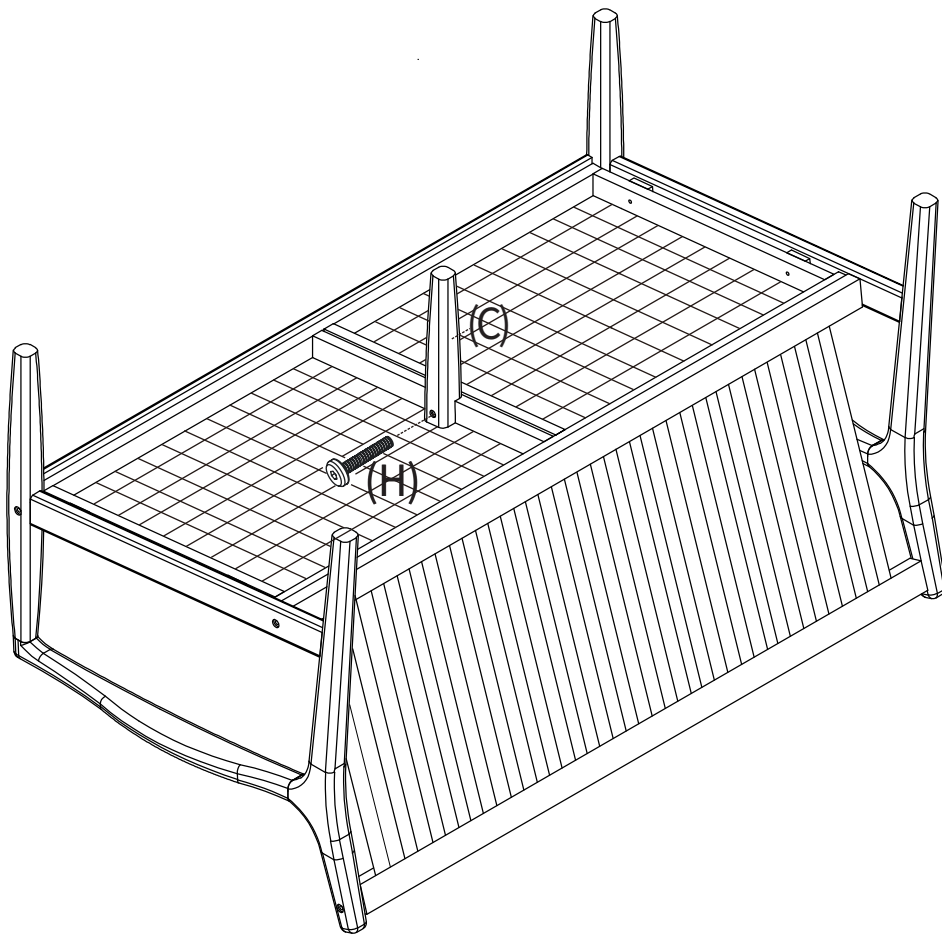
4



Secure with Bolt M6x40 (H) and Flat washers (K) and stacking the hardware in the order as shown. Engage all of the bolts by hand, then tighten them using the Allen key (M) to connect the Seat (E) with Backrest (D). Place Plastic washer (L) between the Seat (E) with Right arm (A) + Left arm (B), after that secure with Screw M6x50 (J) and Flat washers (K) and stacking the hardware in the order as shown. Then tighten them using the Allen key (M) to connect the Seat (E) with Right arm (A) + Left arm (B).

Assembly Instructions

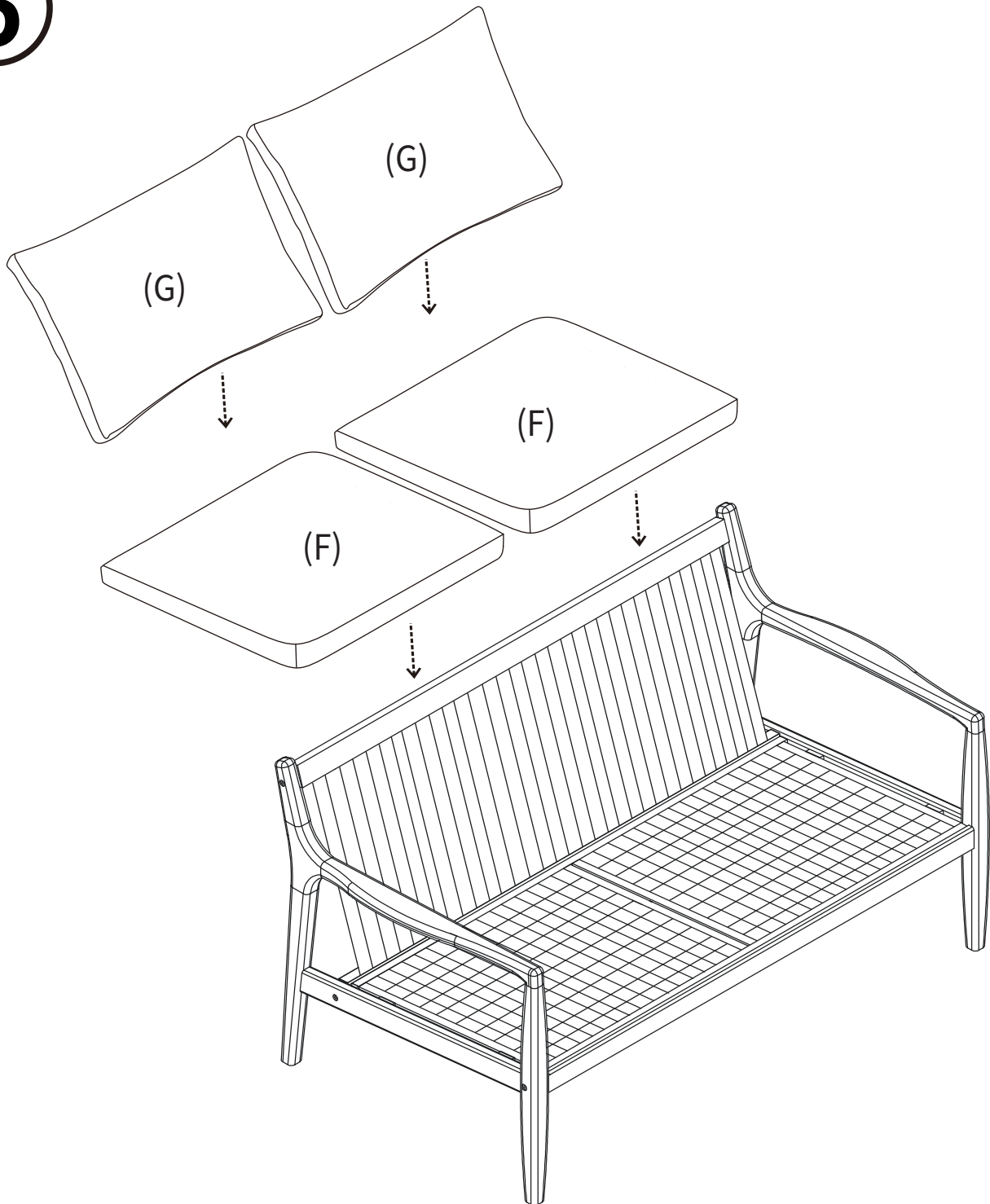
5



Place Middle leg (C) in corresponding positions with Seat (E).
Secure with Bolt M6x40 (H) in the order as shown. Engage all of the bolts by hand,
then tighten them using the Allen key (M).

Assembly Instructions

6



Place Seat cushion (F) and Back cushion (G) onto assembly as shown.