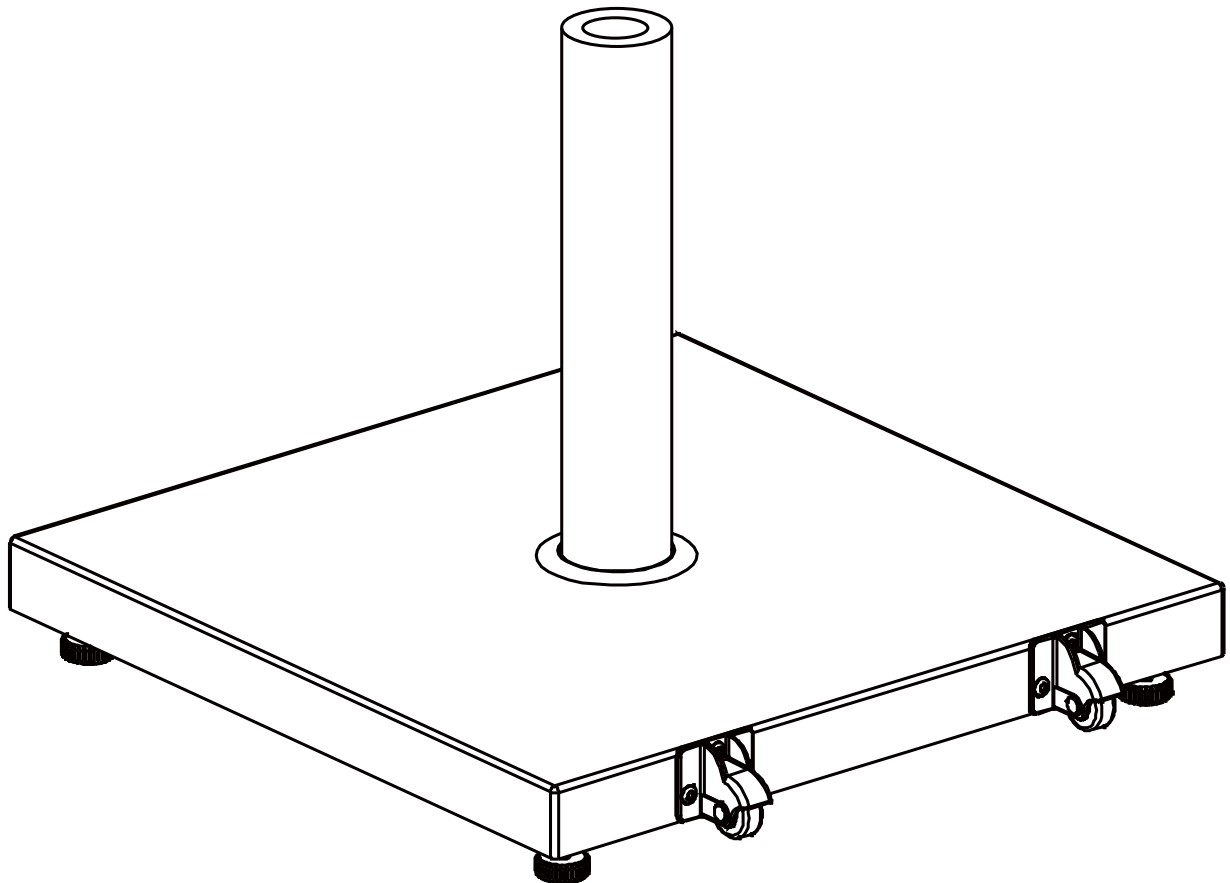


Assembly & Instruction Manual

Umbrella Base

Installation Guide



Approximate
assembly time: **30 Minutes**

People
for assembly:



Save this manual for future reference

BEFORE INSTALLATION

- Please list all parts as below first to check if any part is missing and make assembly easier.
- Do be careful that some parts are heavy and sharp.
- Please follow the assembly steps to install the product, if you find spare parts left don't be worried, the left spare parts are prepared for bad ones if occurred.
- Please fully tighten all screws only when they are in place.
- Please do not exceed the bearing limitations of the product.
- Reconfirm that all bolts, screws, and knobs are secure every 90 days.
- Please retain these instructions for future reference.

CUSTOMER SERVICE FAQS

Q: Some parts are missing, I could not finish assembly.

A: Please kindly circle missing parts in the parts list of the manual, and send pictures to our service team. We will prepare and ship them to you for free ASAP.

Q: My item occurs a quality problem. I am not satisfied with it.

A: Please kindly take it easy and provide us pictures. We would help you to solve it by send replacement parts, replacement products or refund. And you do not need to take time to repack and return it back to us.

Q: The color is not the same as I ordered. How to solve it?

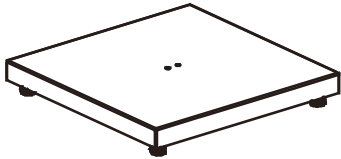











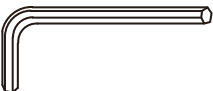

A: Please kindly help to provide us the pictures of the Sku number, the shipping label on the carton and also the product itself, better in one picture. Your pictures will help us to speed up solving the problem.

Q: How to prolong the service life of this item?

A: When it is stained with dusts, oil or sweat, please wipe with a damp cloth. You'd better use a cover when it is out of use.

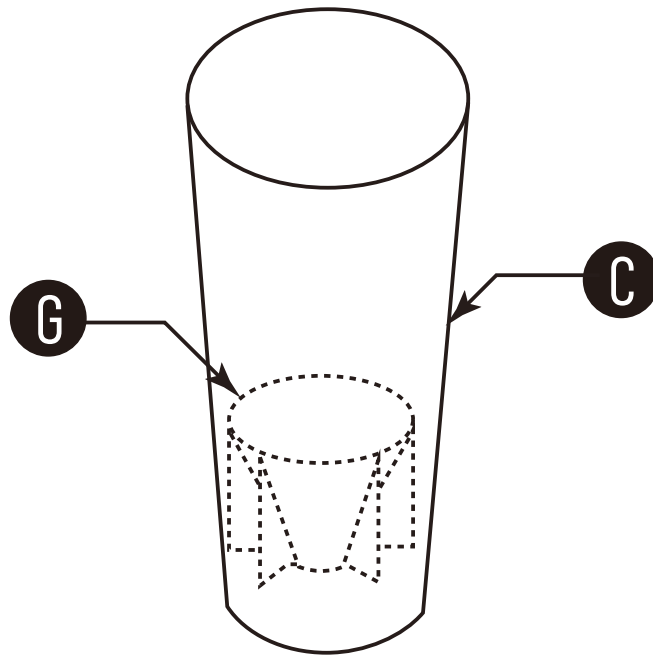
If you have any problem with this product or our service, please don't be hasty in writing a negative review or feedback. Welcome to contact us right away, our service team will response within 24 hours, we will try our best to help you. Thank you for giving us a chance to improve the product and our service.

PARTS LIST

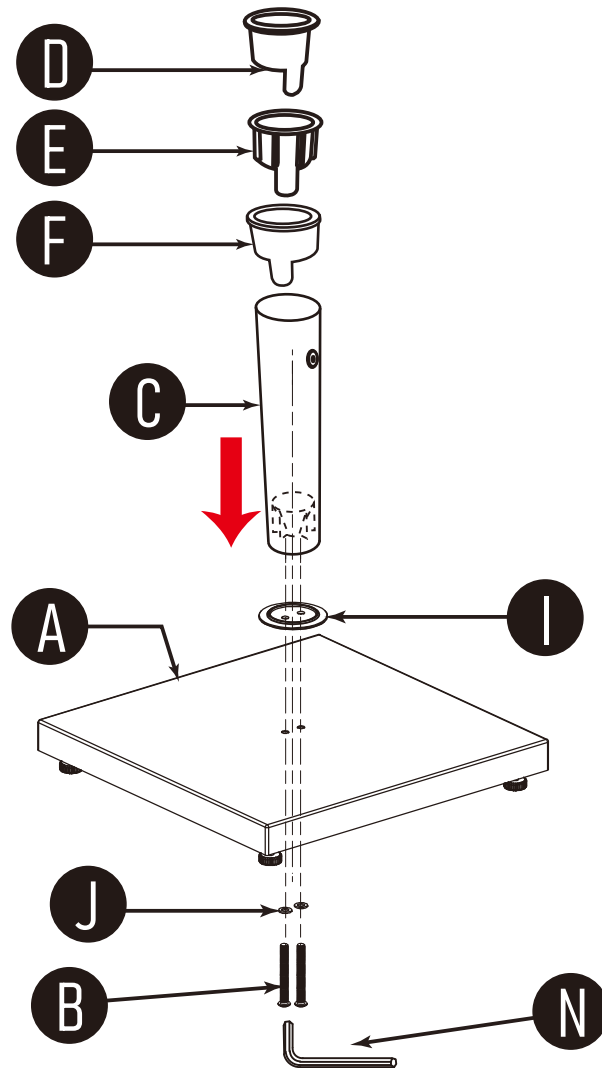
Parts	Component	QTY	Ref No
A		1	8A520-A318-001
B	 M8x80	2	8A520-A318-002
C		1	8A520-A318-003
D	 $\Phi 1.4$ inch	1	8A520-A318-004
E	 $\Phi 1.5$ inch	1	8A520-A318-005
F	 $\Phi 1.9$ inch	1	8A520-A318-006
G		1	8A520-A318-007
H		1	8A520-A318-008
I		1	8A520-A318-009
J	 $\Phi 8$	2	8A520-A318-010
K		2	8A520-A318-011
L	 M6x15	1	8A520-A318-012
M	 4mm	1	8A520-A318-013
N	 6mm	1	8A520-A318-014

Assembly

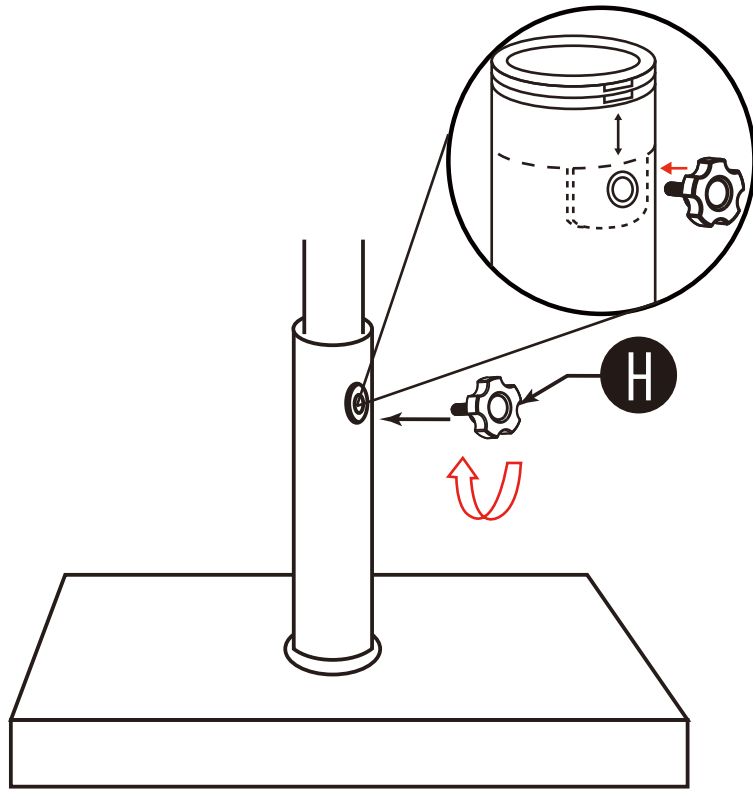
1



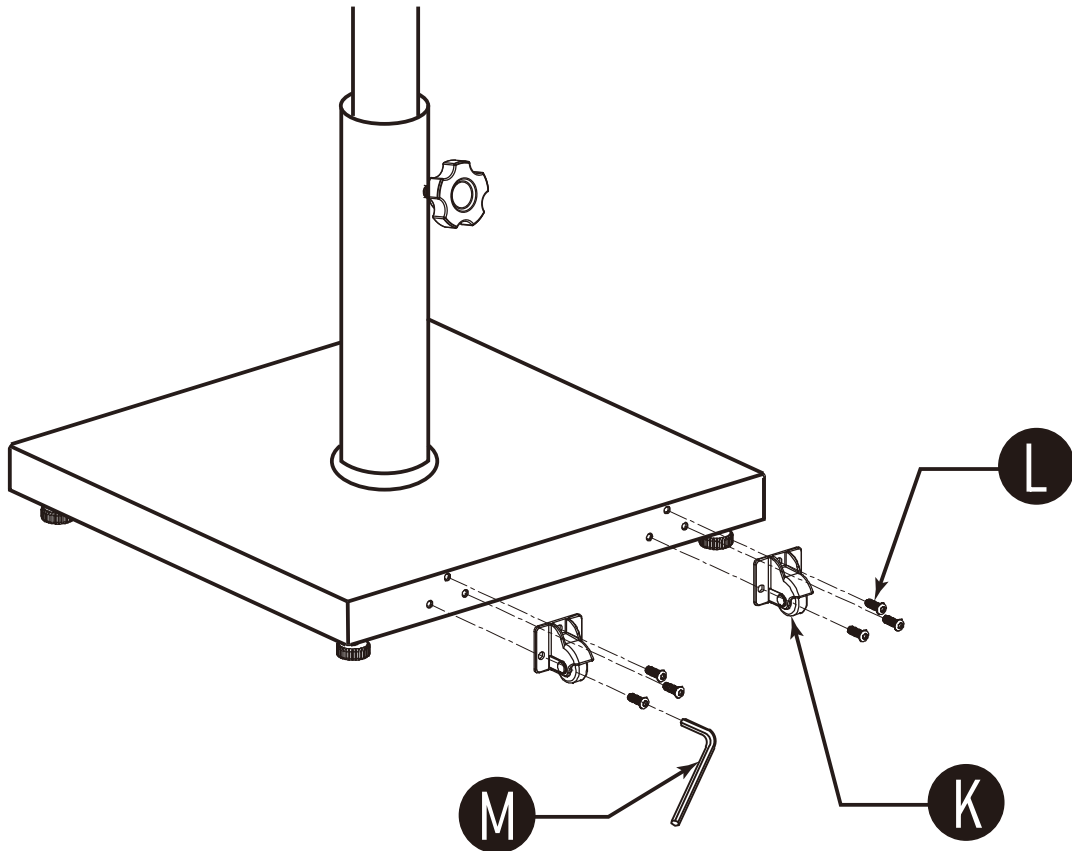
2



3



4



5

Product Warranty

WHAT IS COVERED

FOR ALL PRODUCTS

All products are guaranteed against defects in materials for a period of 180 days from the date of purchase, contingent upon the product being utilized under normal residential conditions. This limited warranty applies solely to parts; costs associated with labor are expressly excluded from coverage. The warranty is non-transferable. Furthermore, shipping charges for replacement parts are covered within the 180 days following the date of purchase.

WHAT IS NOT COVERED

FOR ALL PRODUCTS

Damage resulting from vandalism, animal activity, misuse, or abuse of the product falls outside the scope of this warranty. Similarly, damage attributable to extreme weather events, including but not limited to thunderstorms, hailstorms, windstorms, or snowstorms, is not covered under this warranty. The warranty does not extend to issues of rust, water infiltration, or any discoloration of the structure and/or fabric.

Should there be non-compliance with any instructions outlined in this document, the warranty shall be considered null and void. Furthermore, any alterations made to the structure of the product will result in the immediate invalidation of the warranty.