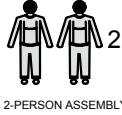




90 MIN
APPROXIMATE
ASSEMBLY TIME



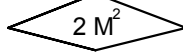
2-PERSON ASSEMBLY

Number of
packages



REQUIRED
ASSEMBLY SPACE

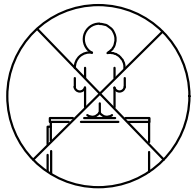
FLOOR AREA 1M x 2M



Maintenance skills

1. Use a clean and soft cloth to remove dust regularly; do not use solvents;
2. If you are in a humid environment for a long time, you must ventilate and exhaust moisture to avoid the furniture from being immersed in water;
3. Keep away from high temperature sources such as stoves, radiators, etc. to prevent the furniture from deforming.

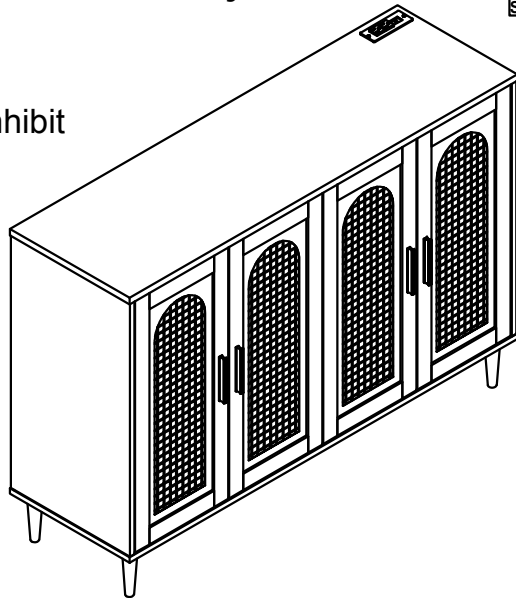
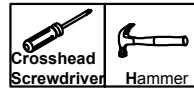
Thank you for purchasing our products. Please contact us if you have difficulty with assembly or need replacement parts. Our customer service is here to assist you. Please attach your User Name and Order ID so that we can assist you better.
support@jojoka.net



Climbing Prohibit

Sideboards cabinet Assembly Manual

Tools needed:



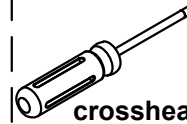
Please read this manual carefully before any operation and keep it properly for future use.
Please wear gloves and other necessary protective equipment.

WARNING

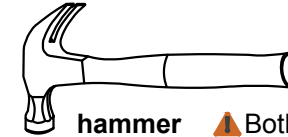
Keep all parts out of the children's reach.

NOTE

- You need to have a crosshead screwdriver and hammer beforehand.



crosshead screwdriver



hammer

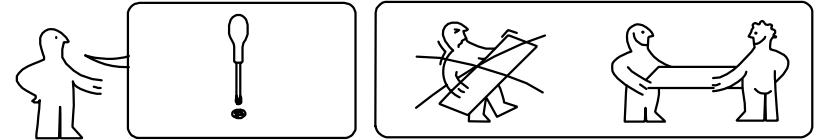
⚠ Both not included in package.

- Place all the panels on a clean and smooth surface, such as a rug or carpet, to prevent them from being scratched.
- Make sure that all parts in your product package, including panels and accessories, match up with those listed in the **Panels & Accessories list**.
- All plate edges have corresponding digital labels or impressions
- Don't tighten screws or bolts until all the pieces are fitted.
- It is recommended to have 2 persons to complete the assembly.
- Regularly check whether all assembly accessories are fastened and re-reinforce them if necessary

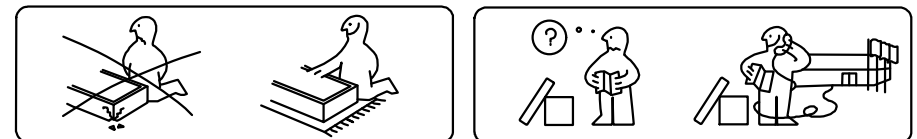
CONTACT US

If you have any questions about the installation of Sales products, just contact us at :
Alternative method to us (amazon.com orders only)
1. Log into your amazon account
2. Go to "Your Orders" and find the purchase
3. Click on "Contact Seller"
4. Please contact us if you have any questions: E-mail: support@jojoka.net.

NOTE



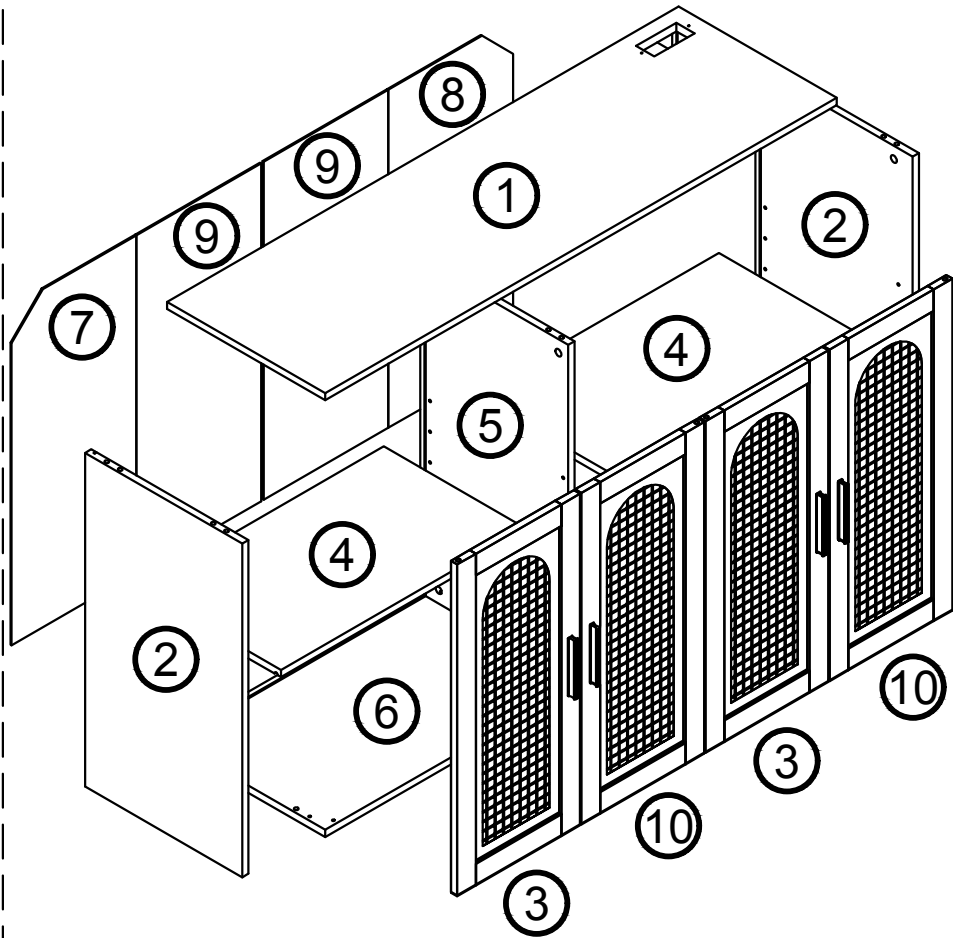
Ⓜ Safe carriage, multi-people are needed.



Ⓜ Handle with care, protective layer is required.

Panel & Panel Number

Please place the panel on the carpet to prevent scratching



Panel List

Please check the Panel list before installation.

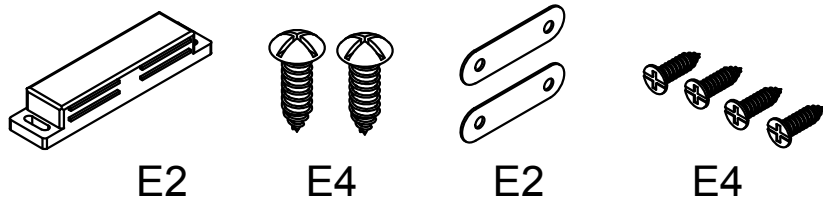
Item no.	Reference Image	Qty.	Item no.	Reference Image	Qty.
①		1X	⑦		1X
②		2X	⑧		1X
③		2X	⑨		2X
④		2X	⑩		2X
⑤		1X			
⑥		1X			

Accessories List

Installation Guide

Please check the **Accessories List** first

NO.	Hardware List	QTY	NO.	Hardware List	QTY	NO.	Hardware List	QTY
A		12	F		5	K		13
B		12	G		22	L		8
C		12	H		4	M		2
D		8	I		2	N		1
E		2	J		12	O		5
						P		1



Note:

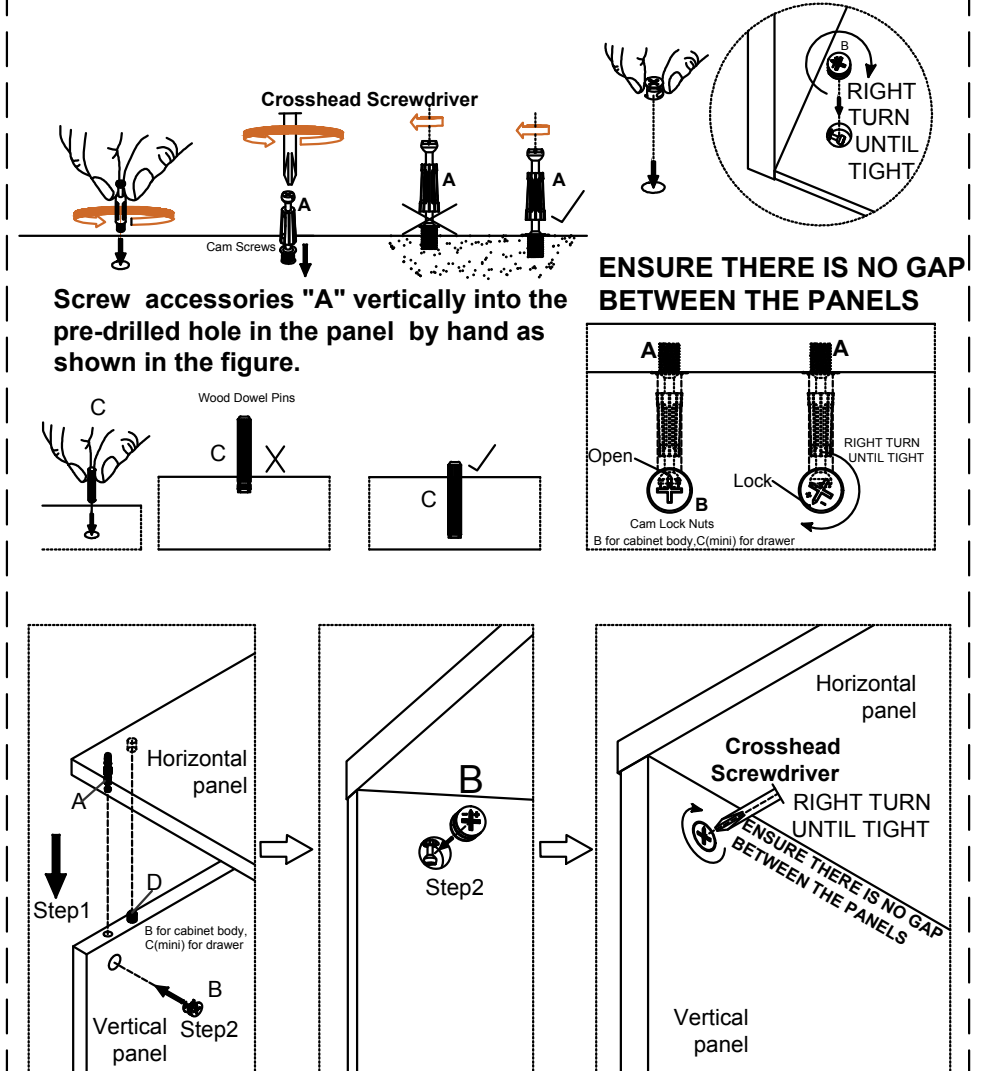
The accessories list is classified by the smallest packaging unit, and the kit accessories represent the matching accessories and are packed in a separate package.

In order to facilitate installation, the panel has pre-drilled positioning holes for the accessories. When installing, only need to match the mounting holes of the accessories with the pre-drilled holes on the panel and lock them with the matching screws. For details, see the relevant installation instructions.

Assembly Instructions

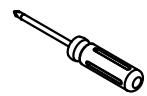


IMPORTANT PRECAUTIONS

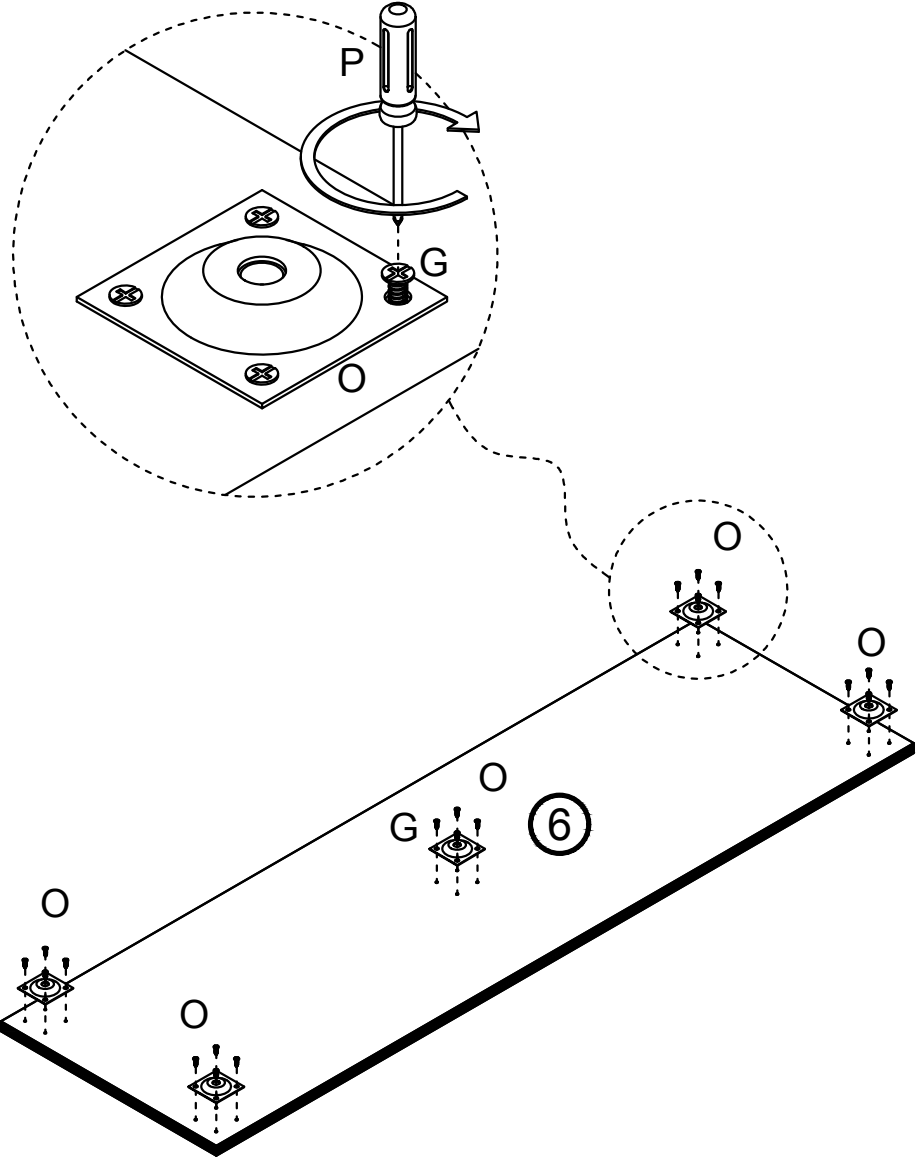
Use Accessory "A"、"B"/"C"



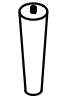
The relationship of "A", "B" or "C" during installation

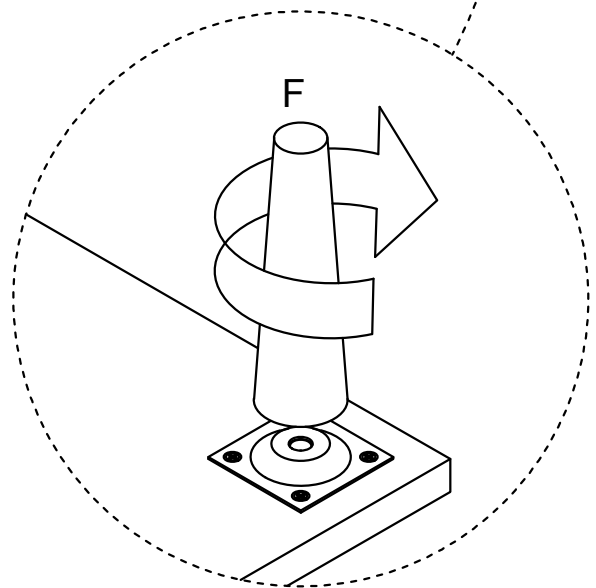
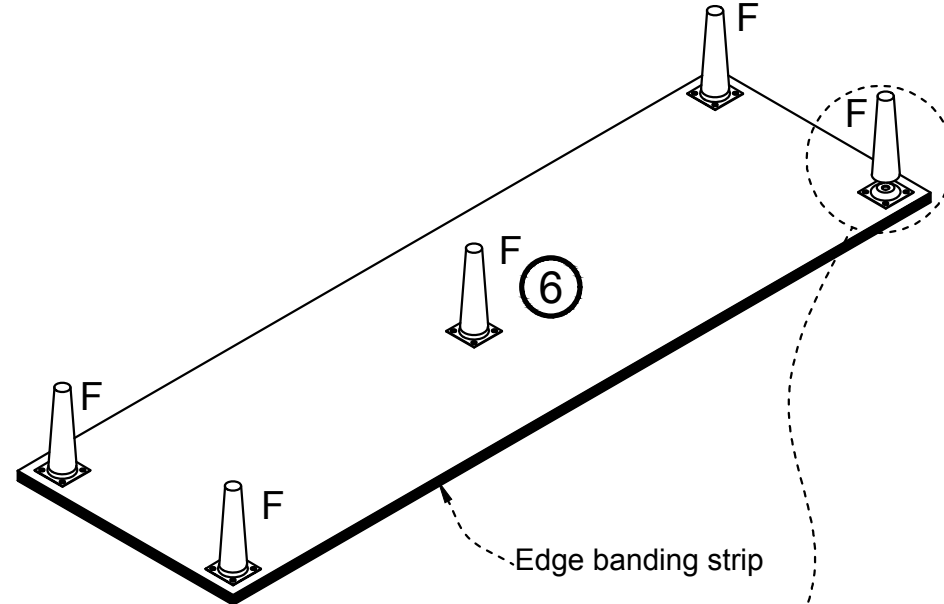
STEP 1

		
P:1x	O:5x	G:20x

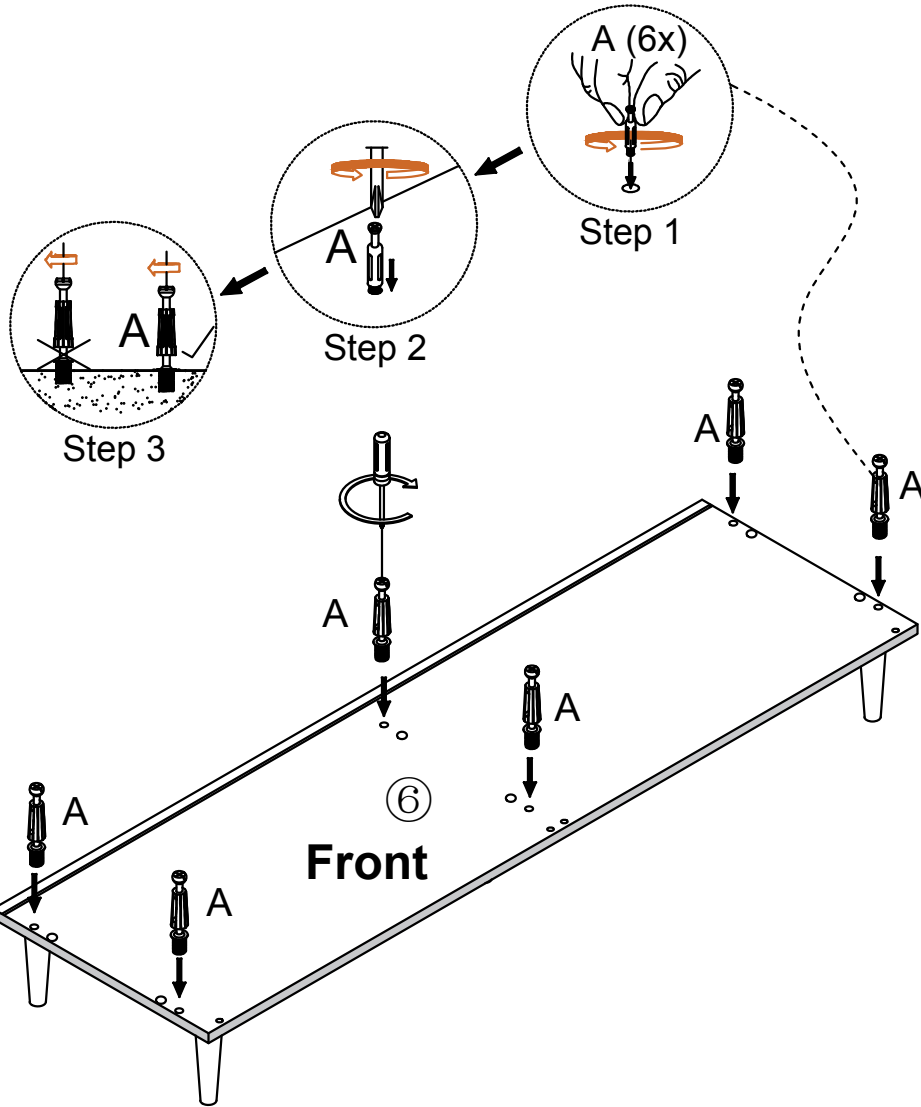


STEP 2


F:5x

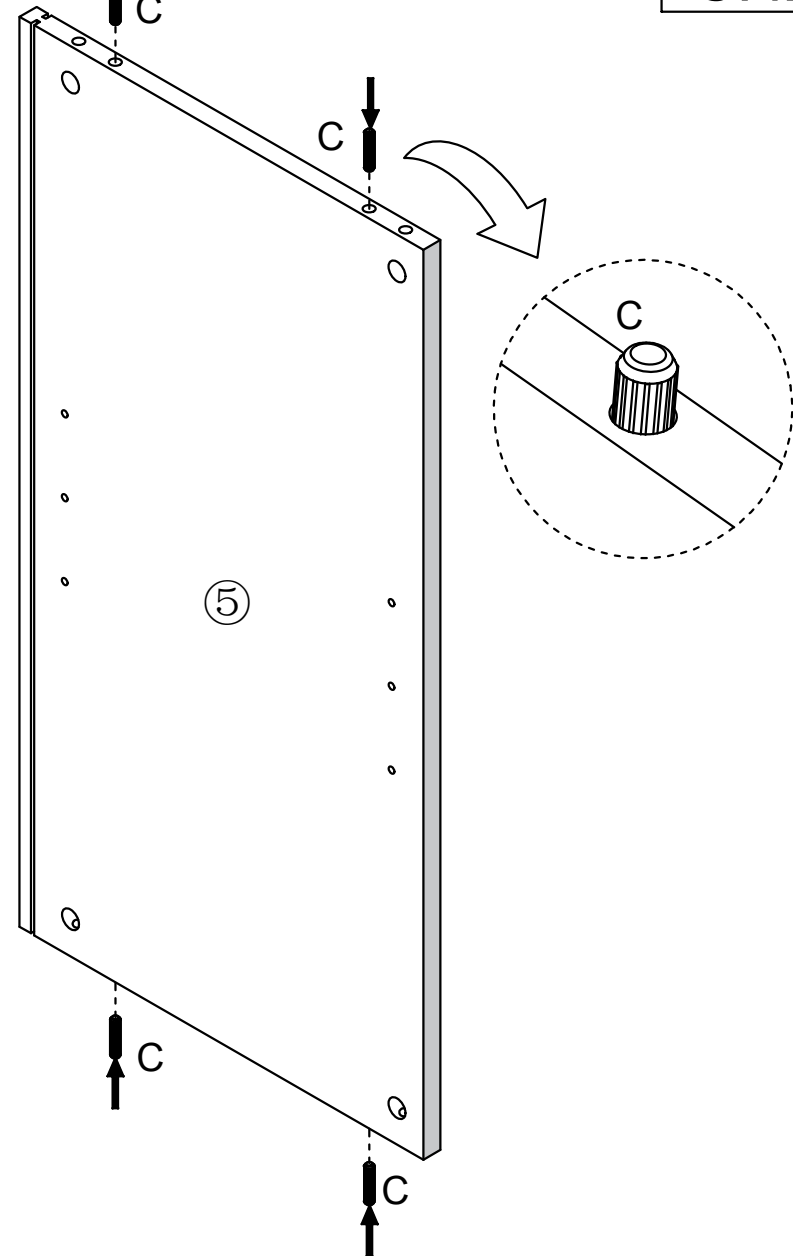
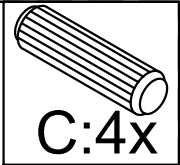


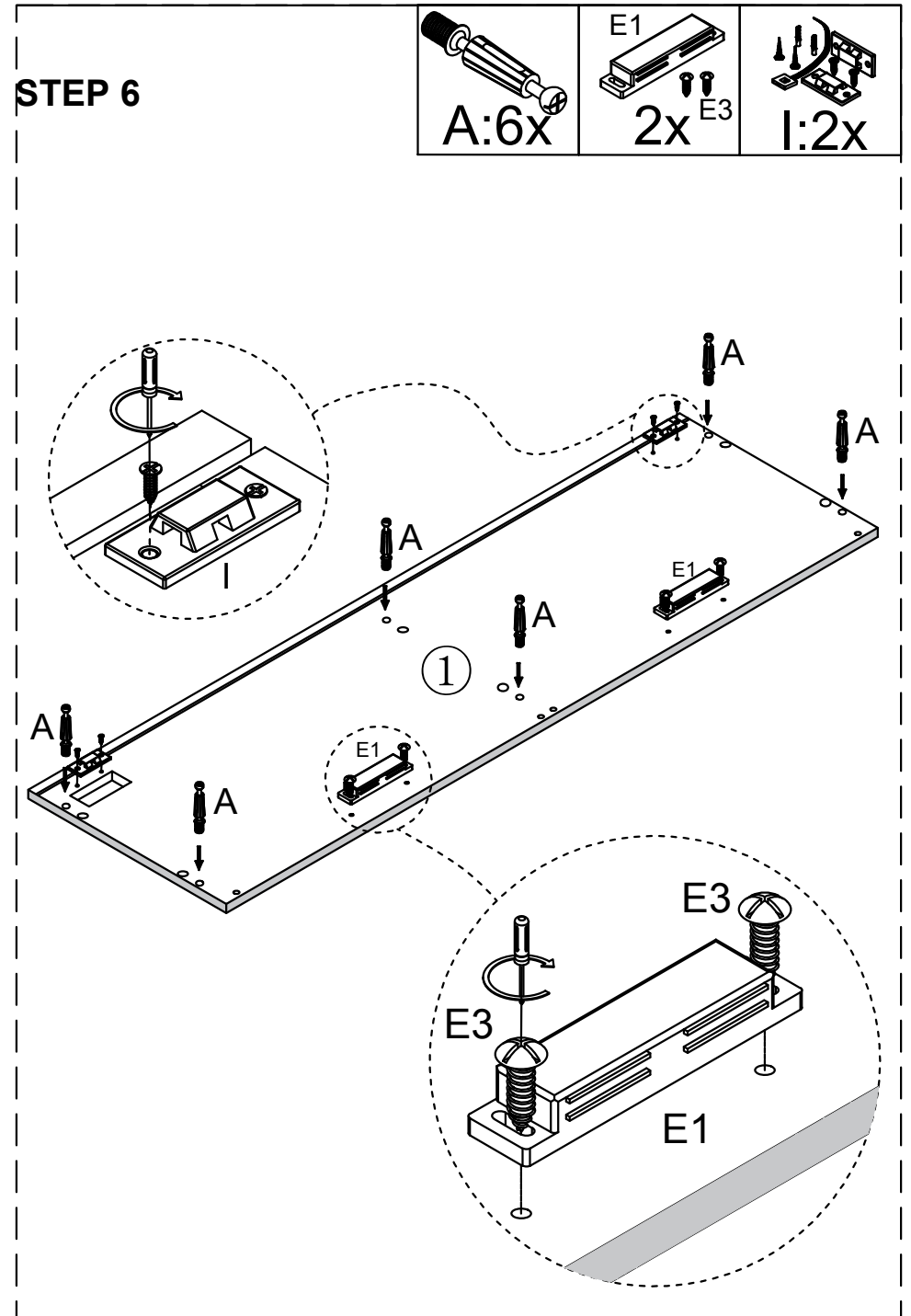
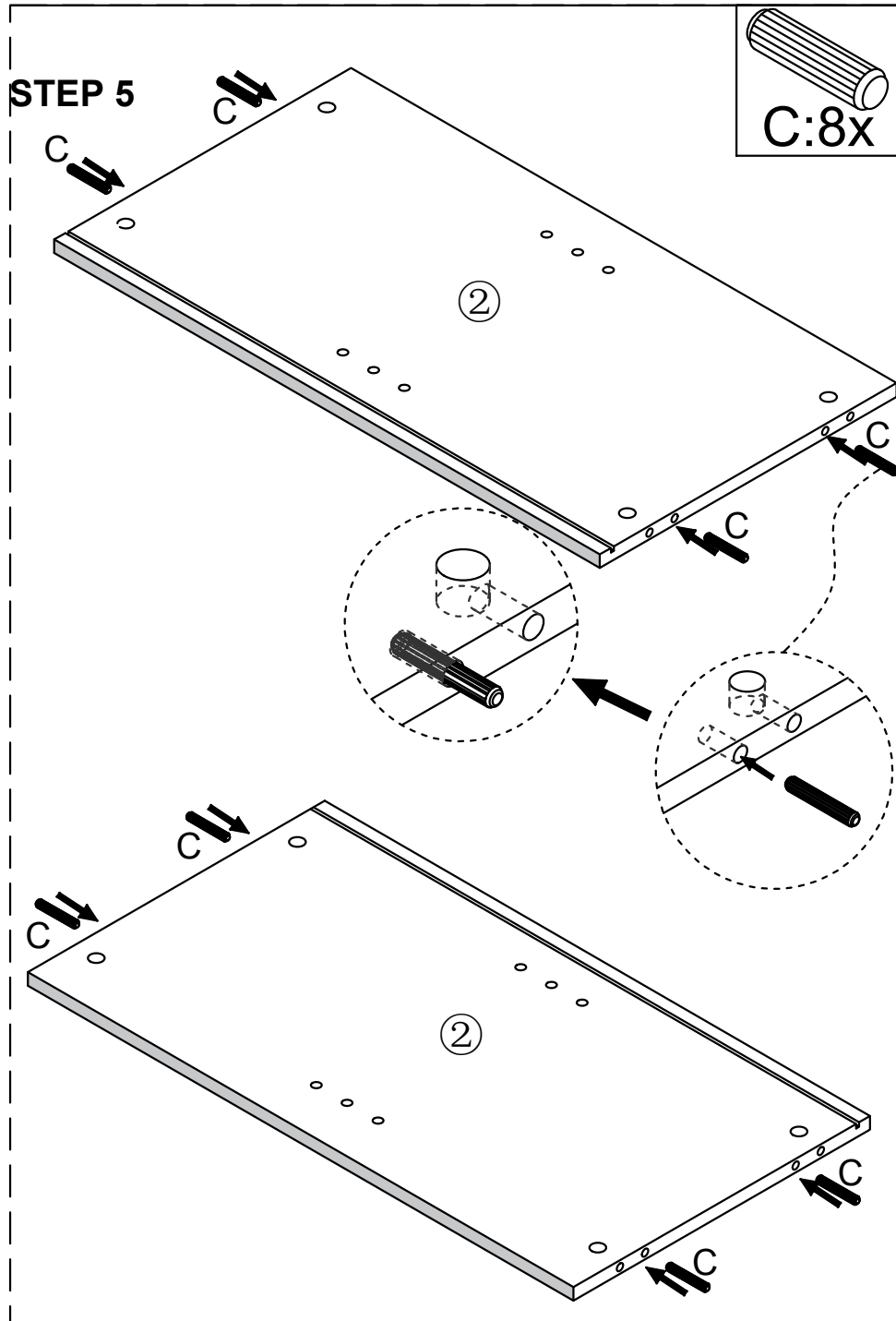
STEP 3



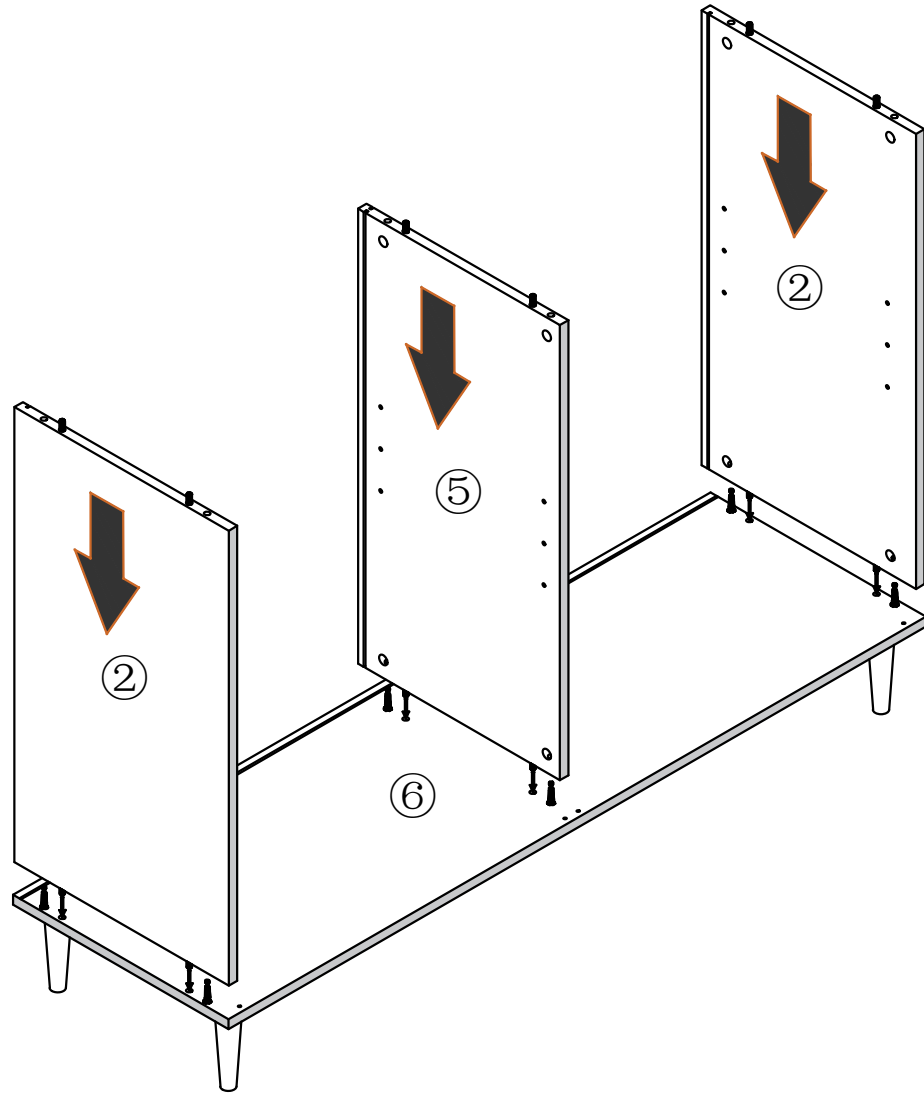
STEP 4

Find the corresponding plate according to the serial number

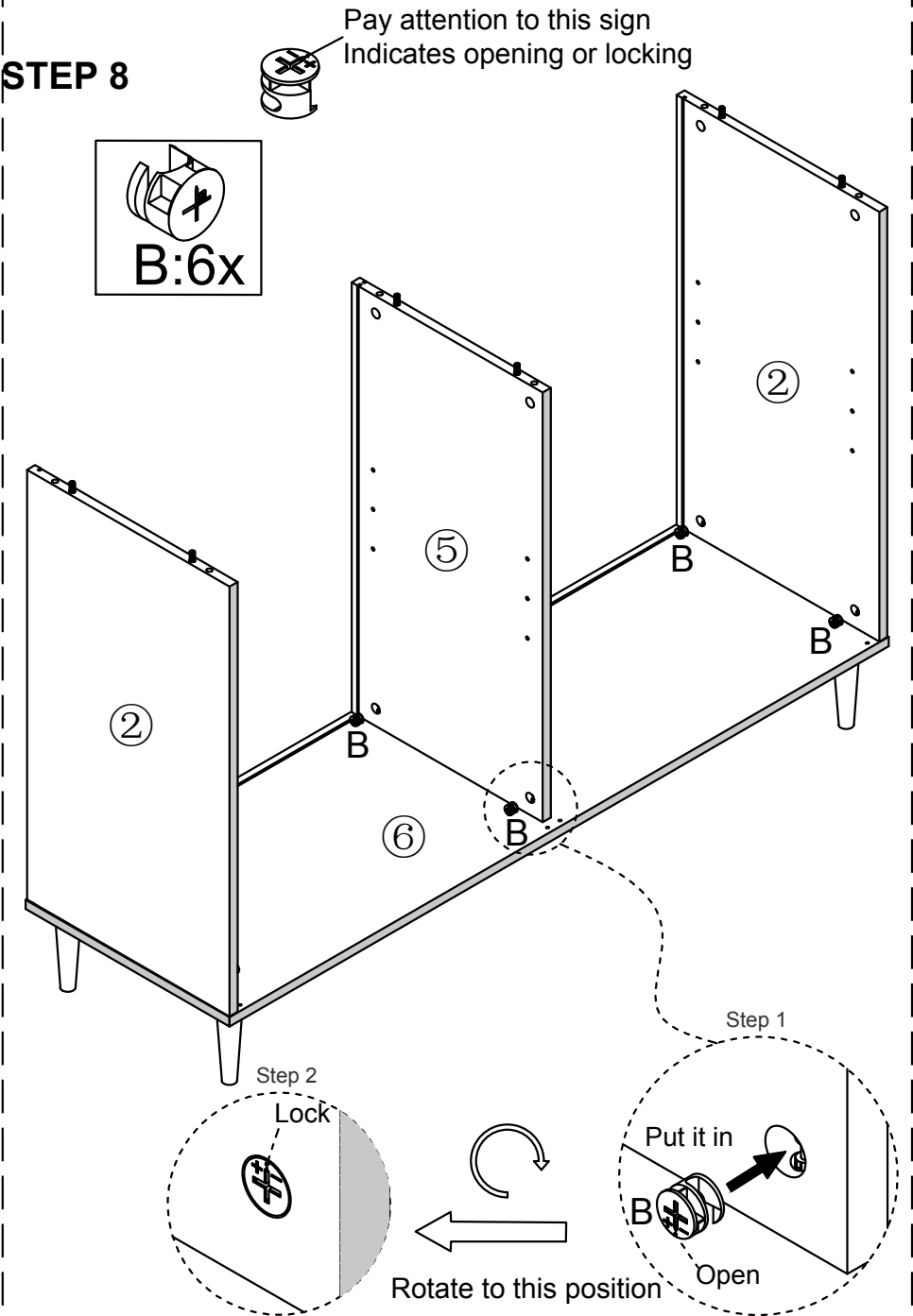




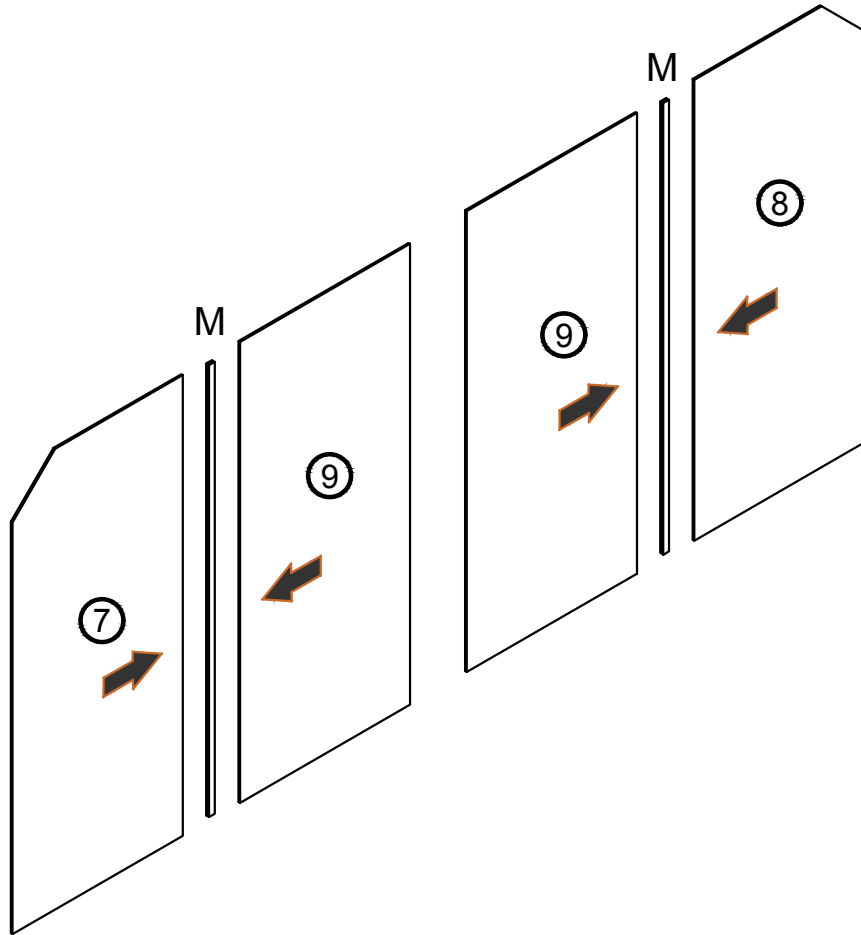
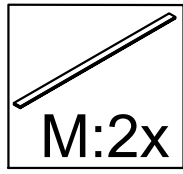
STEP 7



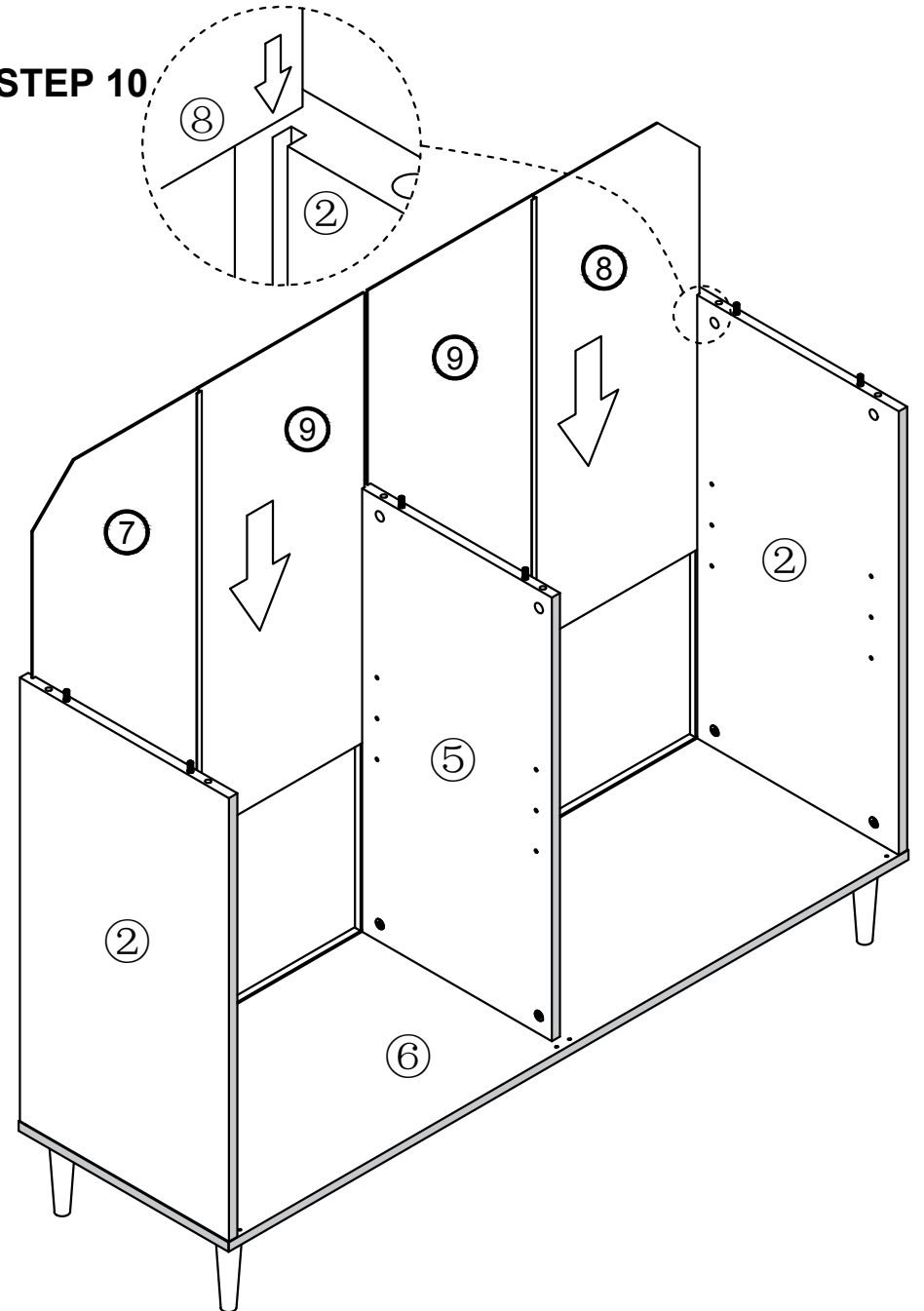
STEP 8



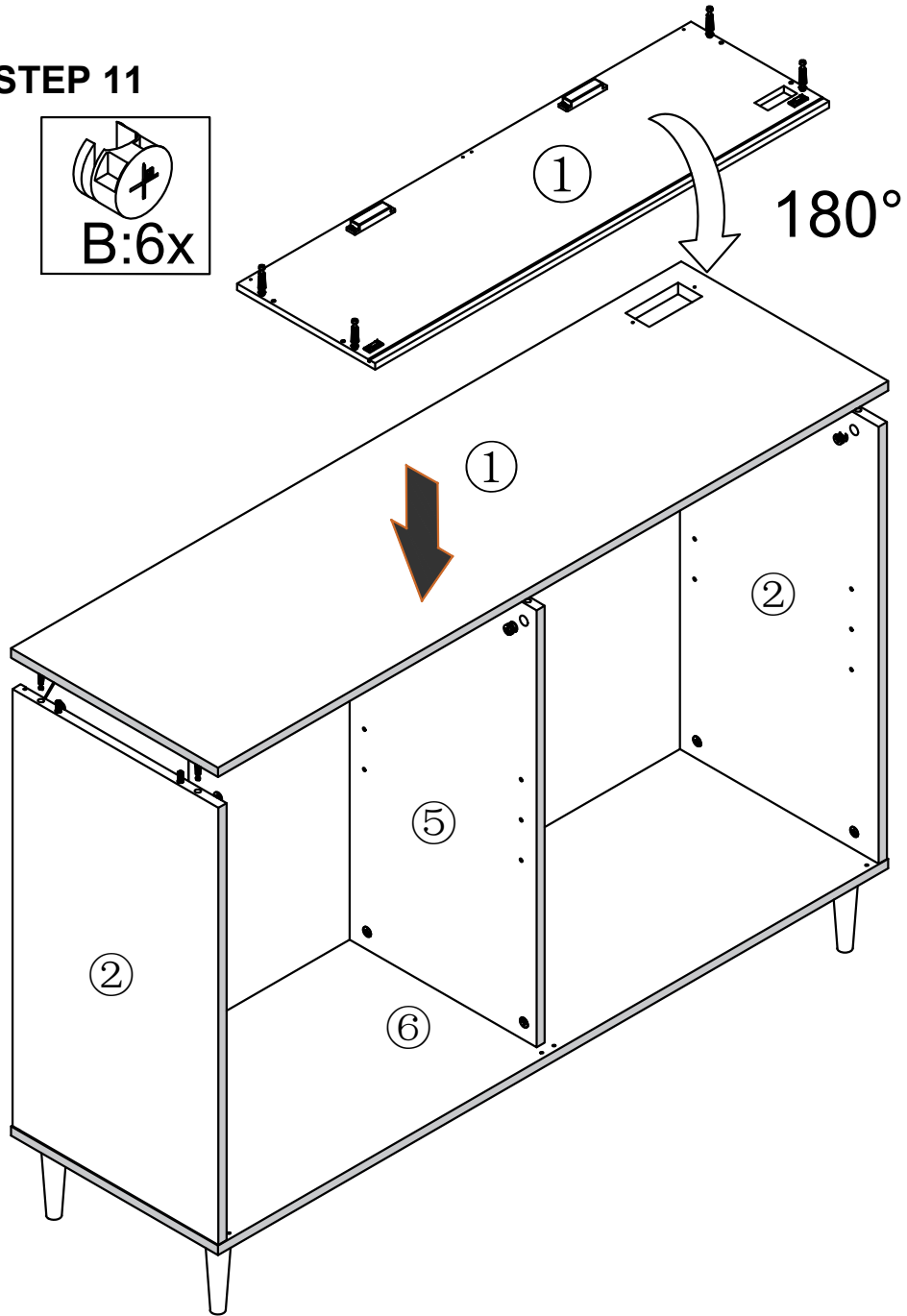
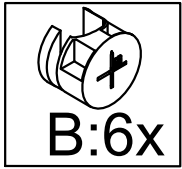
STEP 9



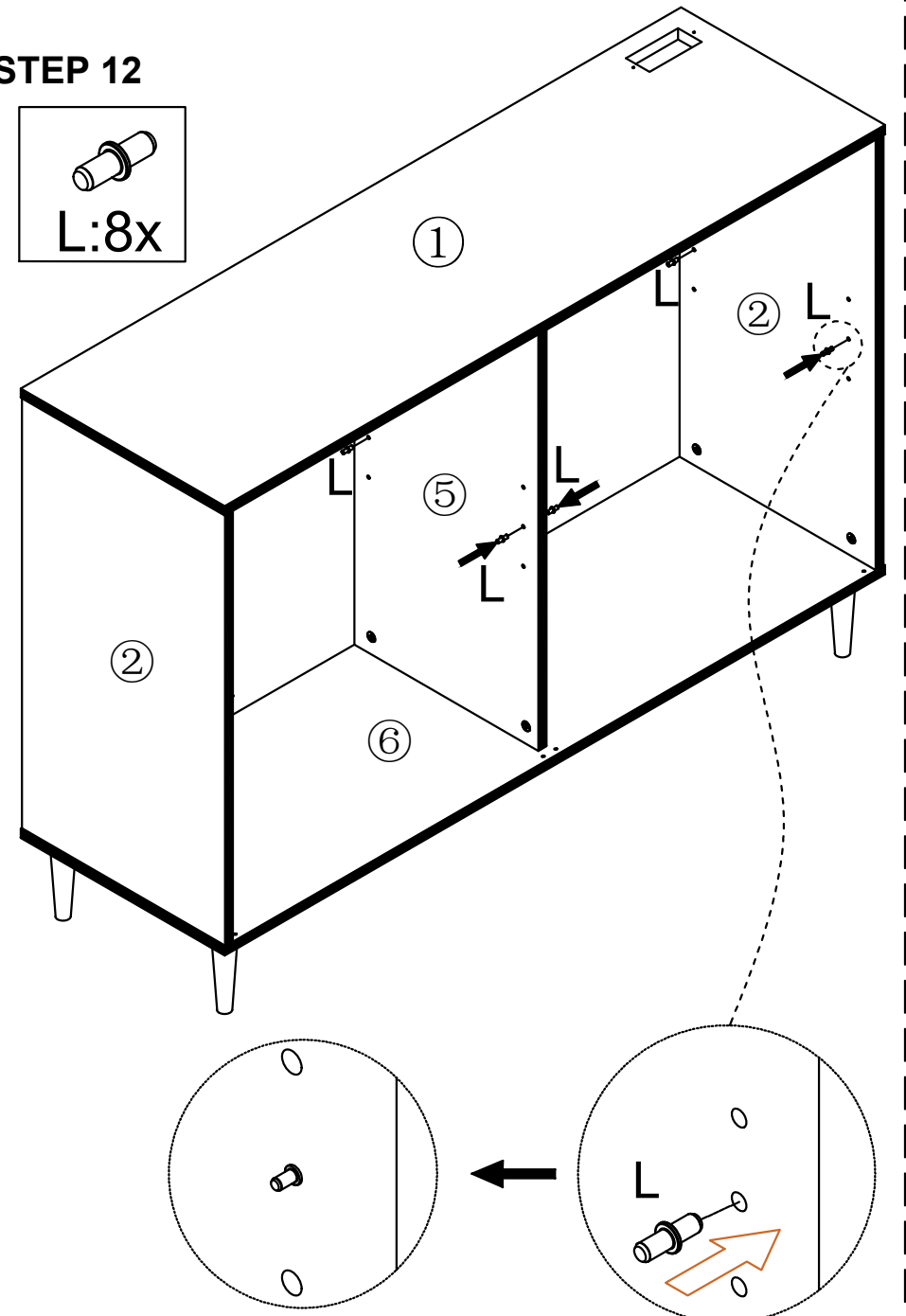
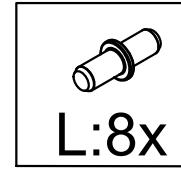
STEP 10



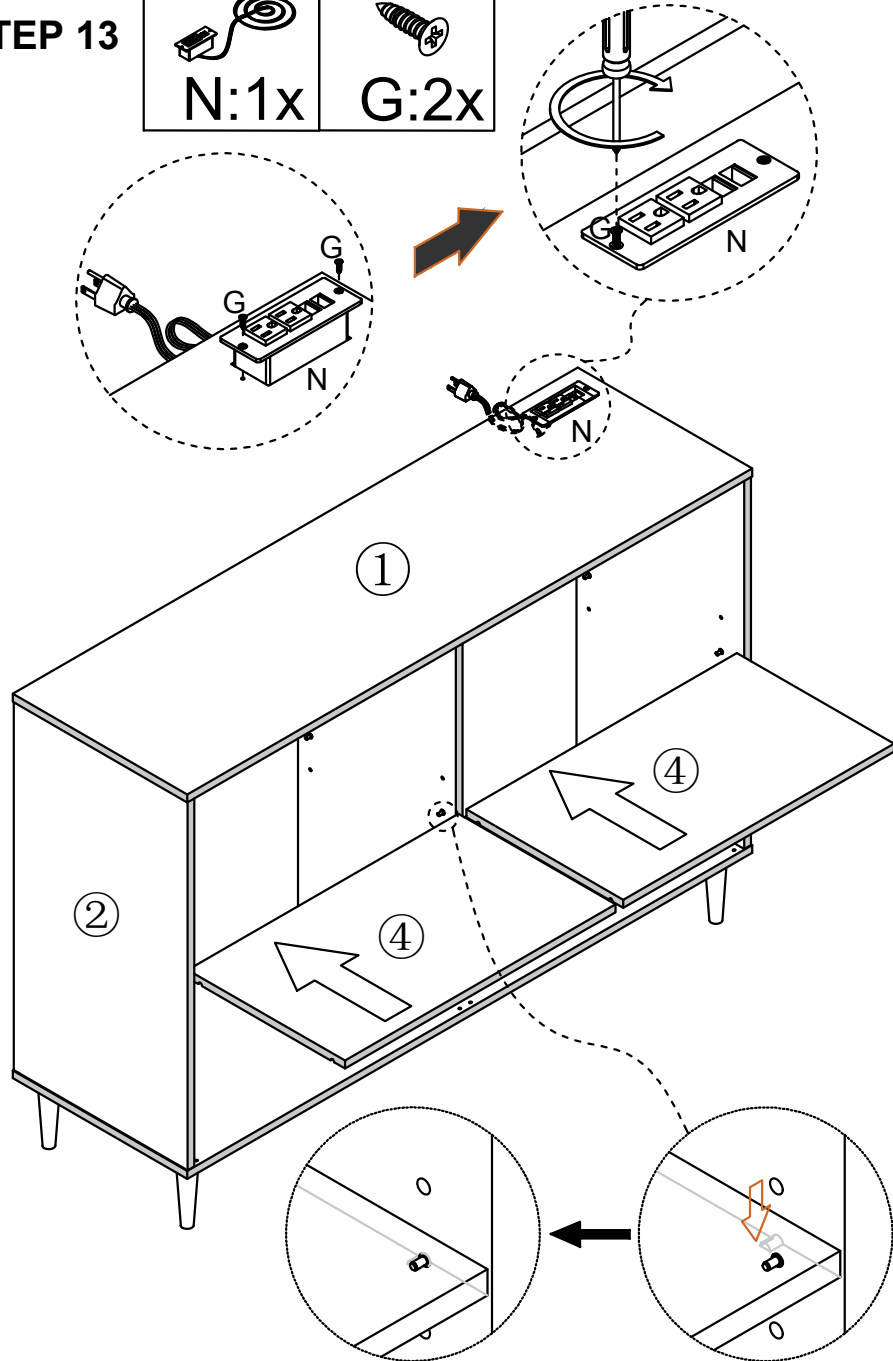
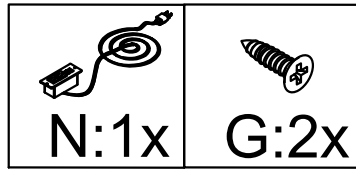
STEP 11



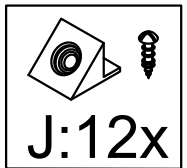
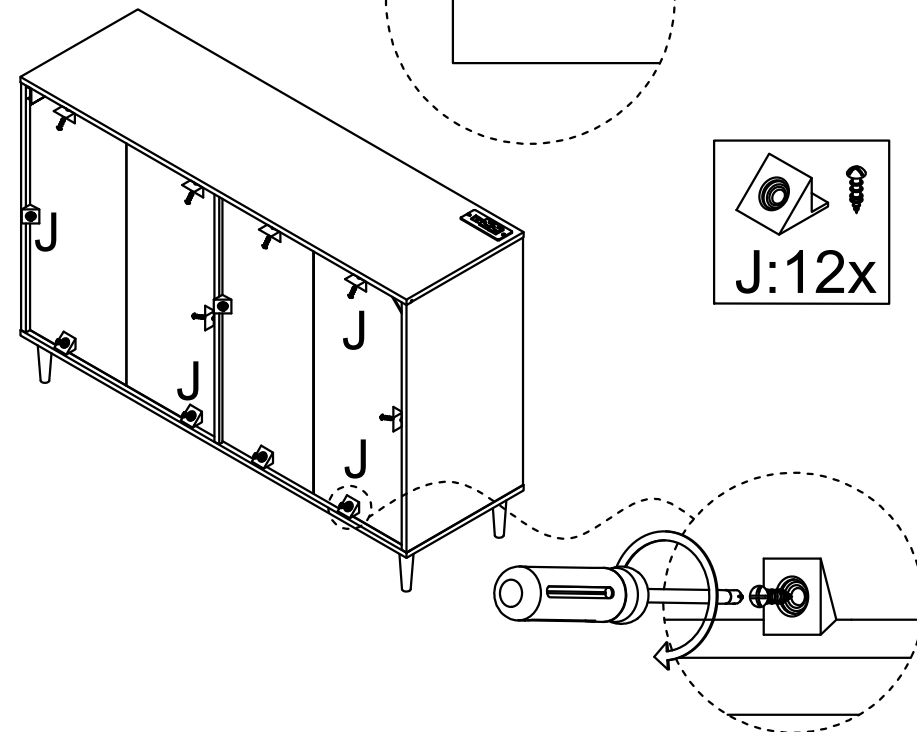
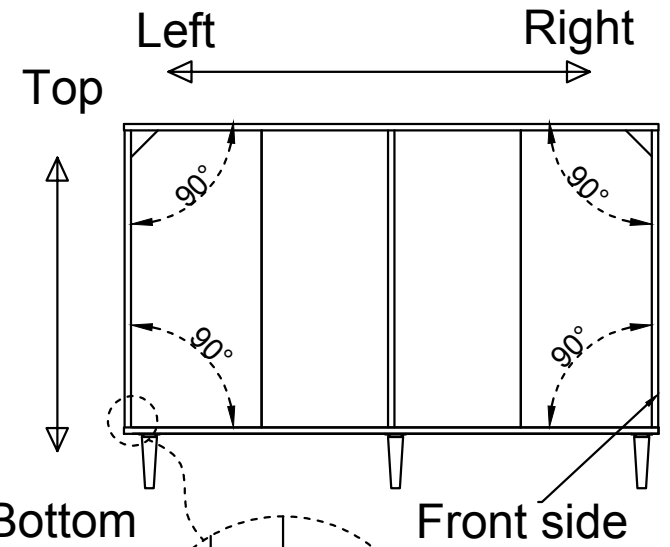
STEP 12



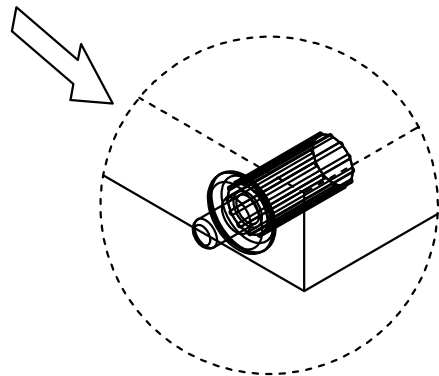
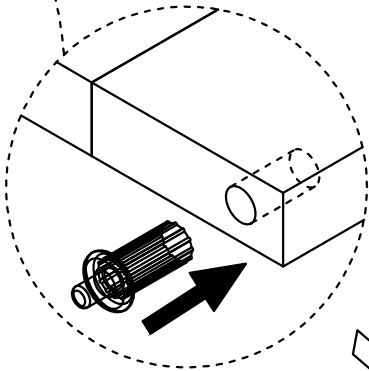
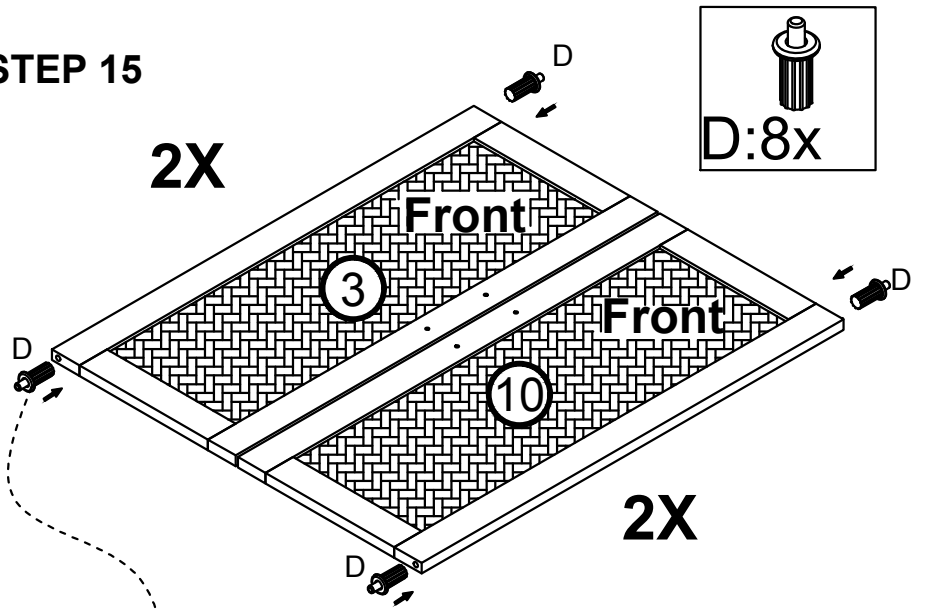
STEP 13



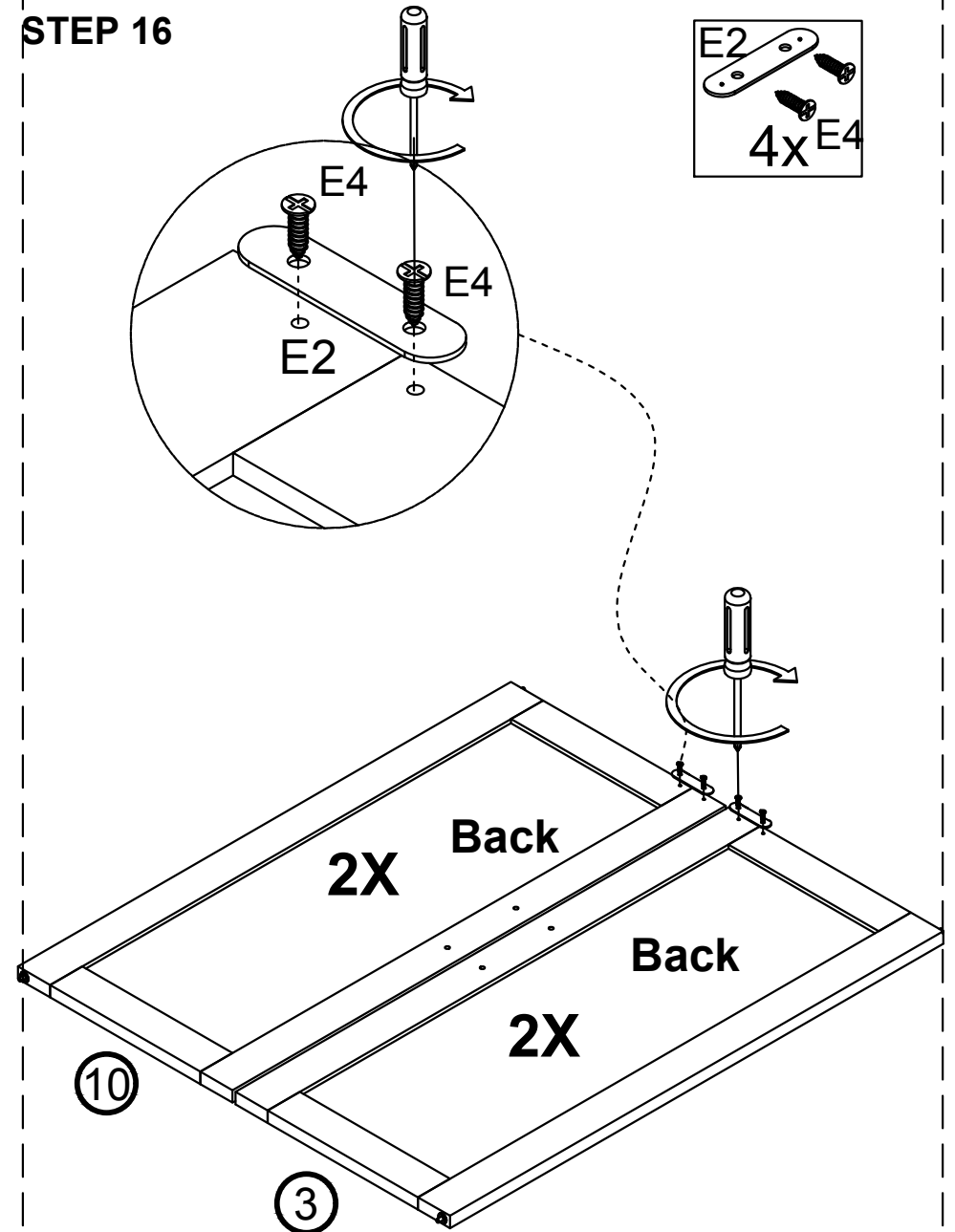
STEP 14



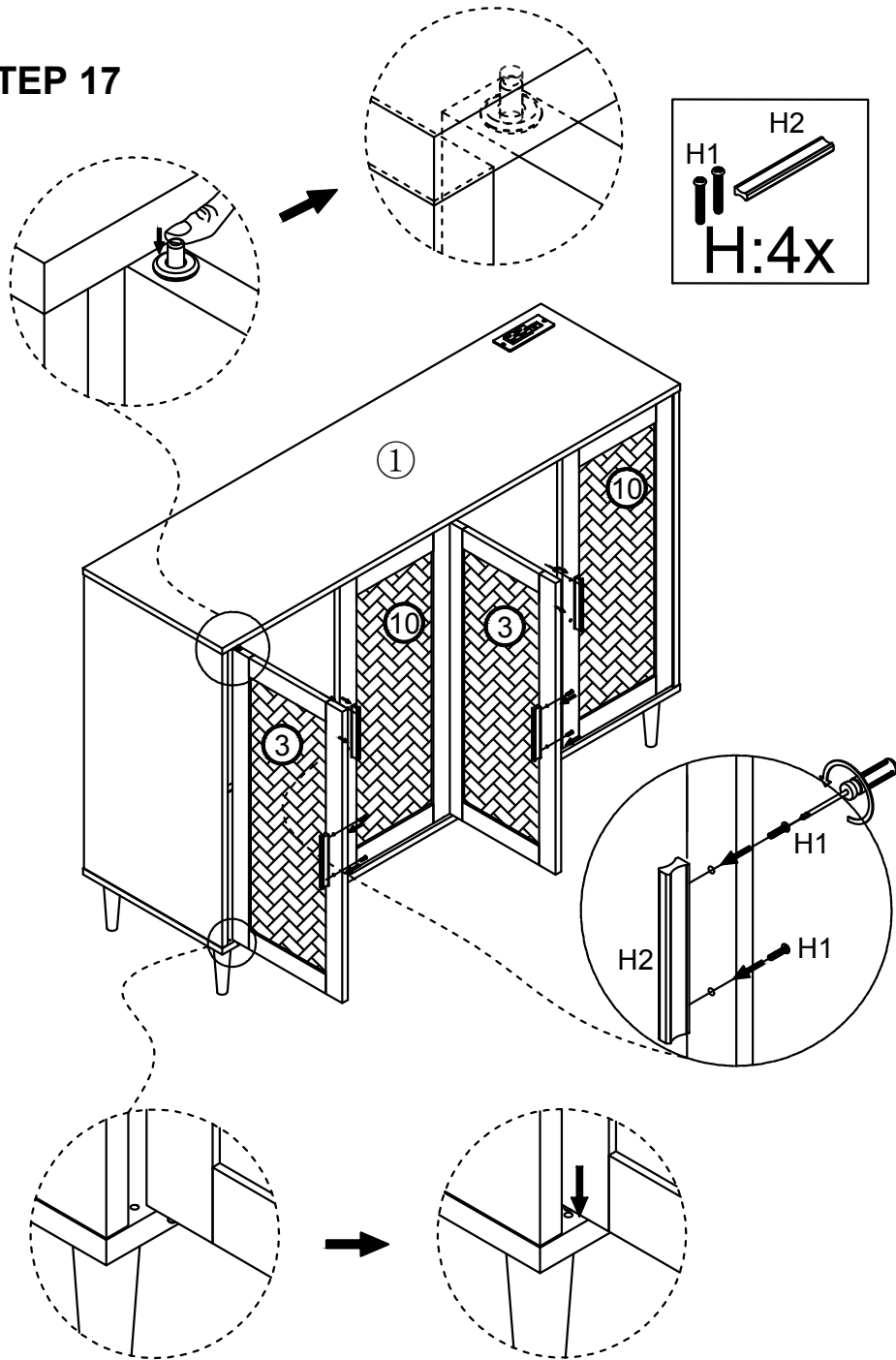
STEP 15



STEP 16

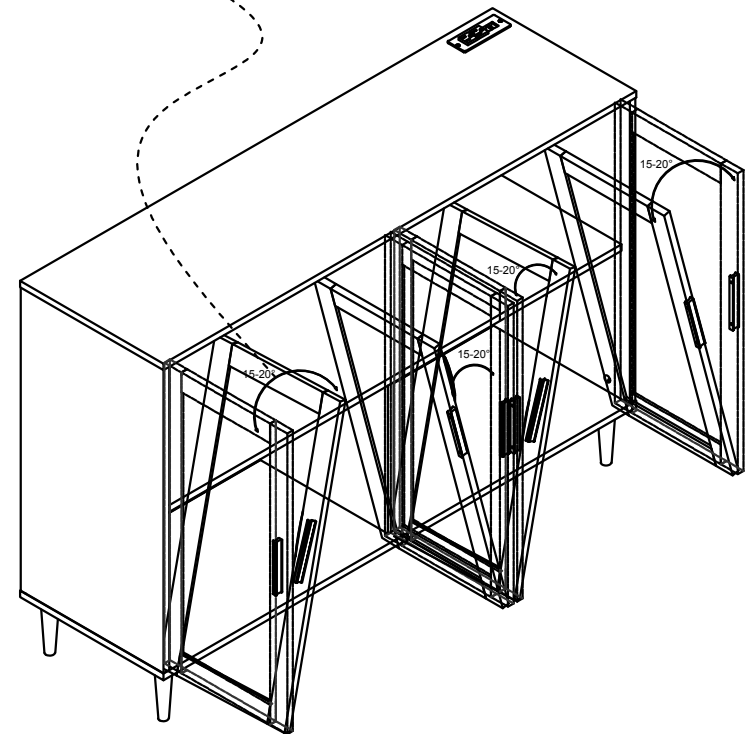


STEP 17

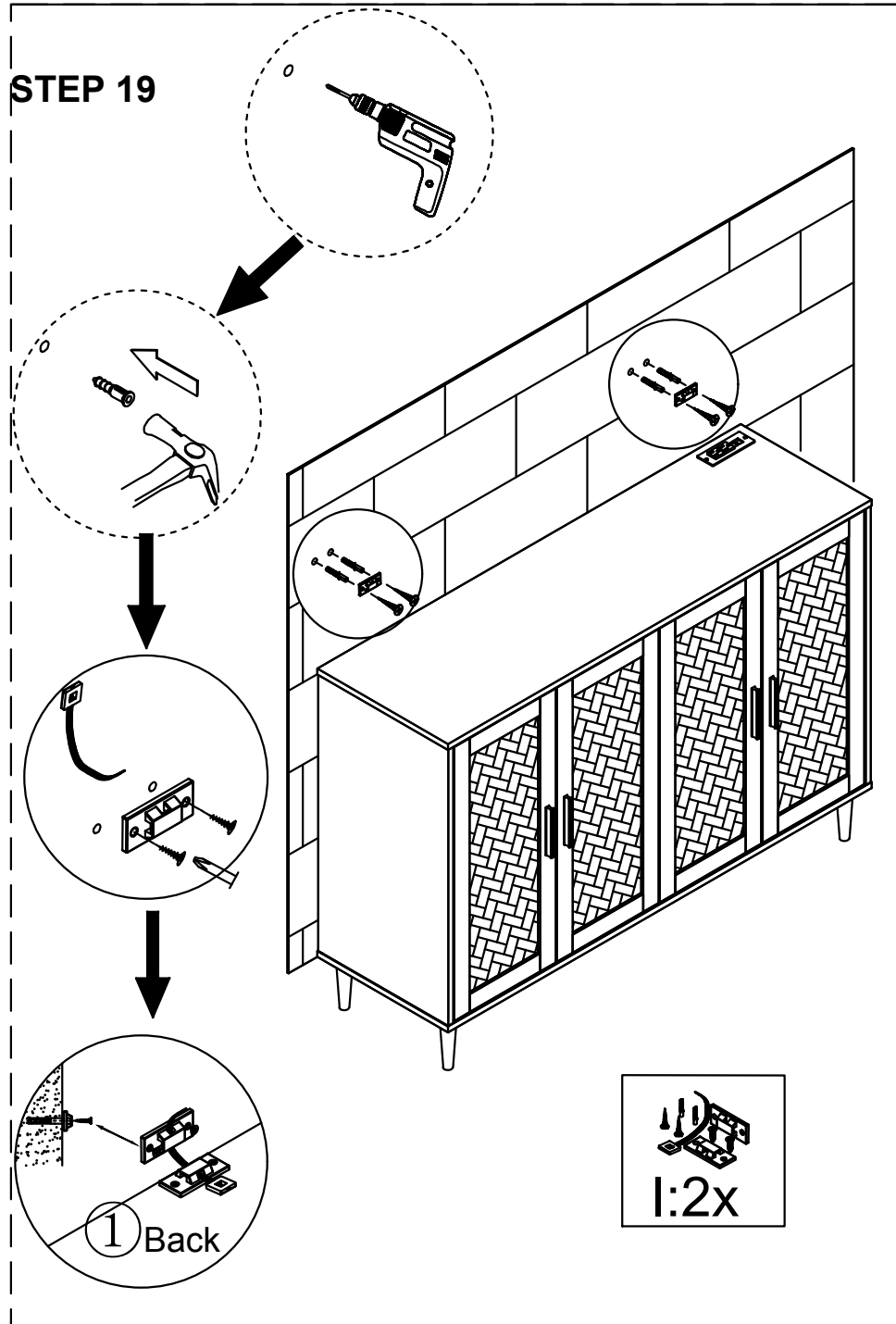


STEP 18

Tilt the Angle 15-20°, and move to the specified hole position, let the fittings D fall into the hole.



STEP 19



WARNING

Thank you for purchasing our products. Please contact us if you have difficulty with assembly or need replacement parts. Our customer service is here to assist you. Please attach your User Name and Order ID so that we can assist you better.
support@jojoka.net

NOTE

IMPORTANT: Tipping can injure young children.

