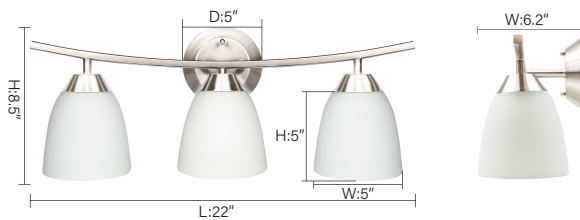


3-Light Vanity Light



- Opal Glass Lampshade
- Metal in Brushed Nickel
- 3*E26 Light Bulb
(Bulb not Included)
- Light Facing UP/Down



VLT2403-BN

Model

L 22" x W 6.2" x H 8.5"

Size (inch)

E26

Bulb Base

Max 60W/Bulb

Max Power

120V

AC

Technical support available at Monica@wayspride.com

LIMITED ONE YEAR WARRANTY

If within one (1) year from the date of purchase, the product fails due to a defect in material or workmanship, WaysPride LLC (Genesis Lighting) will repair or replace it free of charge.

WaysPride LLC will not be liable for incidental or consequential damages to purchases, or any other party.

For any loss, damage, injury or expense of any kind or nature caused directly or indirectly by the product or the failure of the product to operate properly.

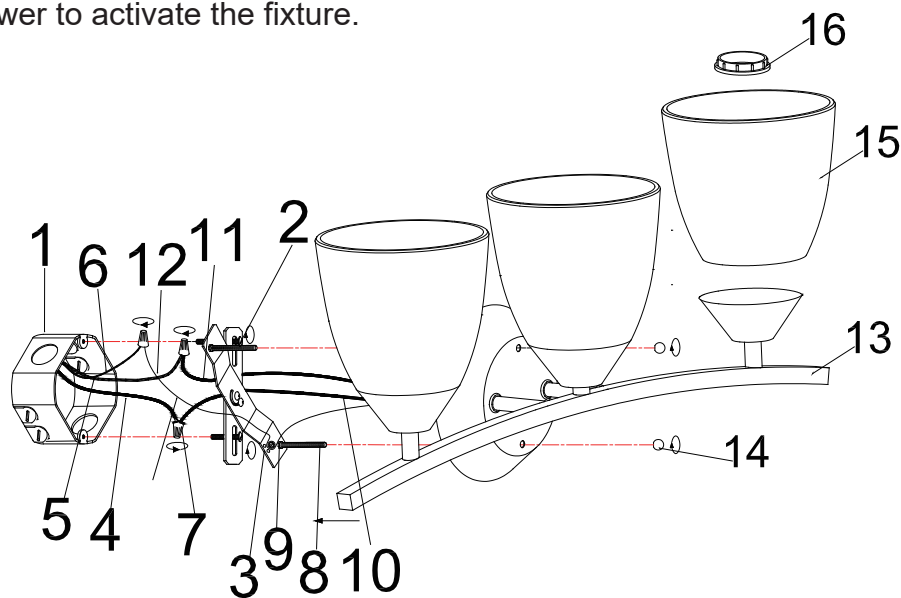
Warranty service is available by mailing postage prepaid to:

WaysPride LLC. 730 Dawson DR KH0158, Newark, Delaware, 19713 USA

A valid copy of the original invoice and return merchandise authorization (RMA) are required for all warranty services.

INSTALLATION STEPS:

1. Thread the #8-32 hex nut (9) onto the fixture screw (8), and screw the fixture screw (8) into the mounting bracket (3), without tightening the hex nut.
2. Pull the power supply wires out from the outlet box (1). Attach the mounting bracket (3) to the outlet box with two outlet box screws. The side of the mounting bracket marked "GND" must face out.
3. Connect the black supply wire (5) to black fixture wire (11), white supply wire (4) to white fixture wire (10). Connect the fixture ground wire (12) to supply ground wire (6) with wire nut (7). Wrap all wire connections with electrical tape for secure connection.
4. Tuck all wires carefully inside the outlet box. Place the fixture back plate (13) over the outlet box and feed fixture screws (8) through two holes of the fixture back plate until they protrude out from the back plate approximately 1/4" and secure with two cap nuts (14).
5. Slide the glass shade (15) over socket onto the socket cups, secure the glass shades to socket cups by threading the ring (16) and retaining ring.
6. Install bulb (not Included) on E26 base. Max 60W/bulb, recommend A19 bulb, incandescent bulb, LED bulb, self-ballast bulb or CFL bulb.
7. Turn on the power to activate the fixture.



WARNING:

**RISK OF PERSONAL INJURY PLEASE READ THESE INSTRUCTIONS CAREFULLY.
FOLLOW ALL INSTALLATION INSTRUCTIONS AND OBSERVE ALL WARNINGS.**

Make sure the "supply" voltage corresponds to the "rated" product voltage 120V 60Hz. Retain these instructions. Note: If you are an installer, please give these instructions to the property owner for future reference.

Risk of injury: Always wear the necessary safety equipment to prevent injuries while opening, handling, installing, and maintaining this product.

Risk of Fire: Always consult with a qualified electrician to ensure the correct branch circuit conductor is utilized.

Risk of electrical shock: This product must be installed in accordance with the applicable installation code by a professional familiar with the construction and operation of the product. The professional should also be aware of, and understand, the hazards involved with the installation of this product.