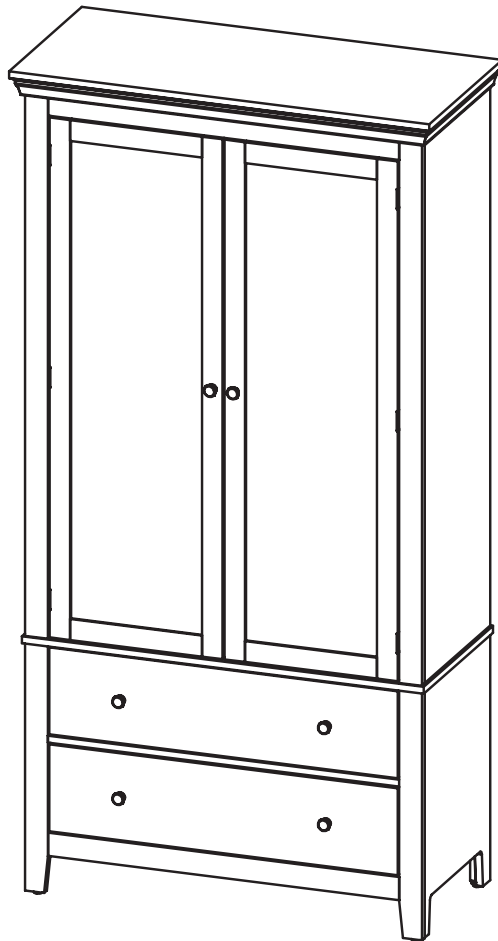


Transforming houses into homes (English & Español)



INSTRUCTION MANUAL

Contact Information

Question about your product? We're here to help. Contact us by:



Orders FAQ



Product Assembly



Product Inquiry



Chat Support



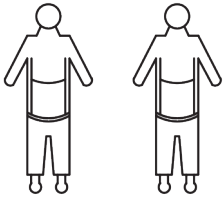
Returns & Refunds

If you have any problems, please send your order number and photos to us. We will contact you within 24 hours and provide you with a satisfactory solution.

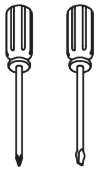
! NOTICE Please retain these instructions for future reference.

- Carefully unpack all the components and verify that all the necessary parts are included as listed in the packaging.
- Identify each component and refer to the provided assembly diagram or step-by-step instructions.
- Assemble the furniture in the order specified to ensure proper alignment and fit.
- Use the provided tools or recommended tools for assembly. Do not use excessive force when tightening screws or bolts.
- If any difficulties arise during assembly. Consult the troubleshooting section or contact our customer support.

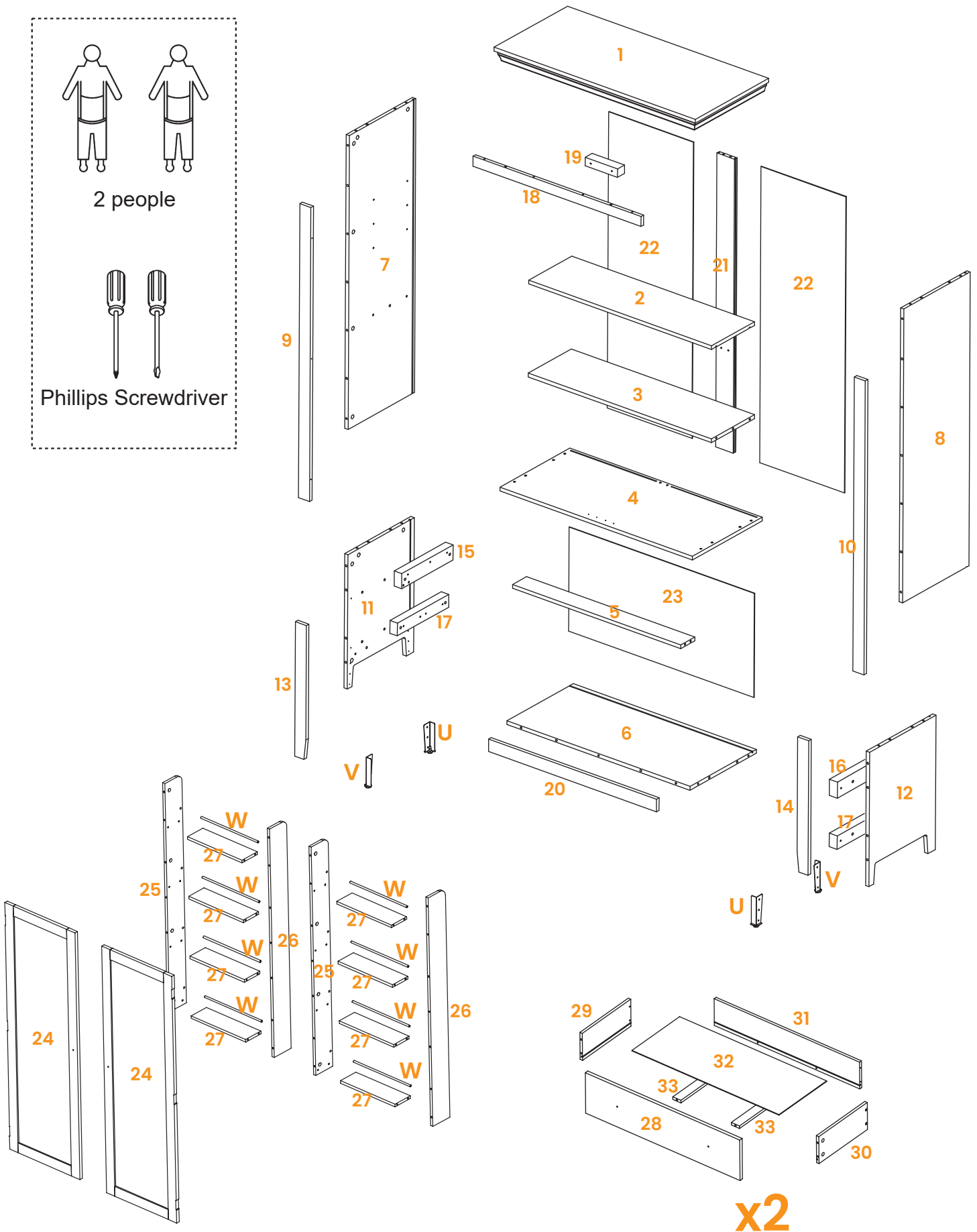
 ASSEMBLY INSTRUCTIONS



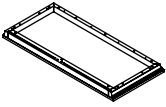
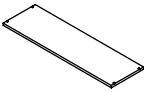
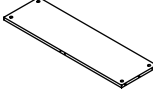
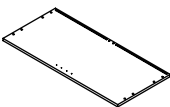
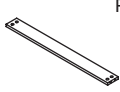
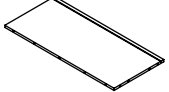
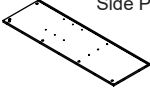
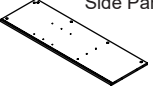


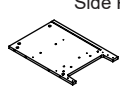
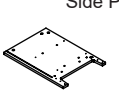







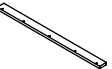
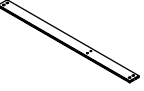
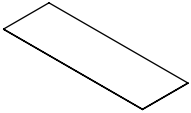
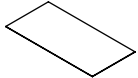
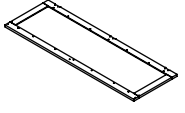



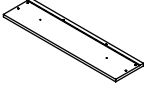



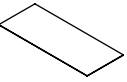

2 people













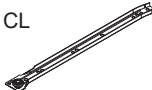

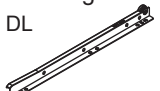



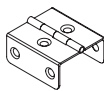
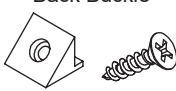
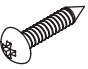
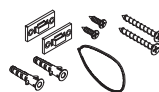




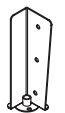
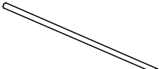
Phillips Screwdriver



☰ PARTS LIST

01  Top Panel 1 PC	02  Adjustable Shelf 1 PC	03  Fixed Shelf 1 PC	04  Middle Panel 1 PC	05  Drawer Guard Panel 1 PC	06  Bottom Panel 1 PC
07  Upper Left Side Panel 1 PC	08  Upper Right Side Panel 1 PC	09  Upper Left Decorative Panel 1 PC	10  Upper Right Decorative Panel 1 PC	11  Lower Left Side Panel 1 PC	12  Lower Right Side Panel 1 PC
13  Lower Left Decorative Panel 1 PC	14  Lower Right Decorative Panel 1 PC	15  Upper Left Rail Mounting Strip 1 PC	16  Upper Right Rail Mounting Strip 1 PC	17  Lower Rail Mounting Strip 2 PCS	18  Upper Guard Strip 1 PC
19  Door Magnetic Catch 1 PC	20  Lower Guard Strip 1 PC	21  Back Panel Strip 1 PC	22  Left Back Panel 2 PCS	23  Right Back Panel 1 PC	24  Door Panel 2 PCS
25  Left Vertical Panel of the Door 2 PCS	26  Right Vertical Panel of the Door 2 PCS	27  Door Shelf 8 PCS	28  Drawer Front Panel 2 PCS	29  Drawer Left Panel 2 PCS	30  Drawer Right Panel 2 PCS
31  Drawer Back Panel 2 PCS	32  Drawer Bottom Panel 2 PCS	33  Drawer Reinforced Panel 4 PCS			

☰ HARDWARE LIST

A Ø6x35mm Cam Bolt  83+4 PCS	B Ø15x10mm Cam Lock  83+4 PCS	C Ø8x30mm Dowel  40+4 PCS	D Ø6x30mm Dowel  28+3 PCS	E Ø4x35mm Screw  28+3 PCS	F Ø6.3x50mm Screw  4+1 PCS
G M4x20mm Handle Bolt  6+1 PCS	H Hold Hands  6 PCS	I Magnetic Catch  4 PCS	J Shelf Support  4+1 PCS	CL Sliding Track CL  2 PCS	CR Sliding Track CR  2 PCS
DL Sliding Track DL  2 PCS	DR Sliding Track DR  2 PCS	L Ø5x10mm Screw  12+2 PCS	M Ø3.5x14mm Screw  68+4 PCS	N Hardware Hinge  6 PCS	O Back Buckle  14+2 PCS
P Ø3x16mm Screw  8+1 PCS	Q Anti-tip Device  1 PC	R White Screw Hole Cover  49+2 PCS	S Wood-tone Screw Hole Cover  36+2 PCS	T Adjustable Foot Pad  4 PCS	U Iron Leg  2 PCS
V Iron Leg  2 PCS	W Iron Pipe  8 PCS				

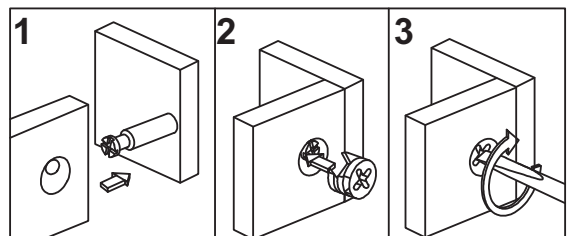
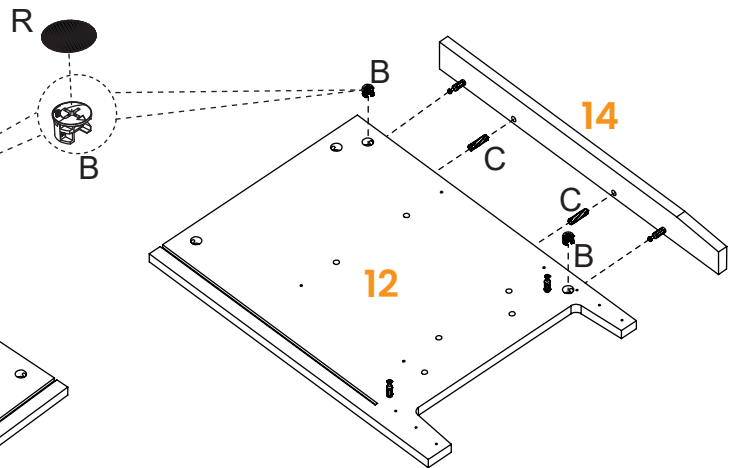
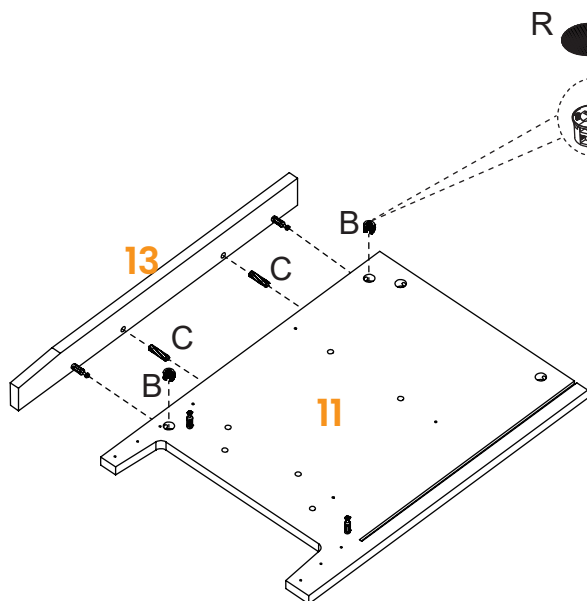
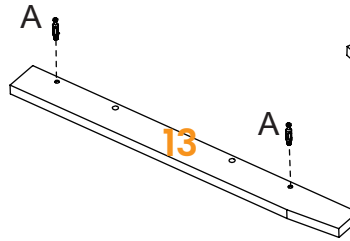
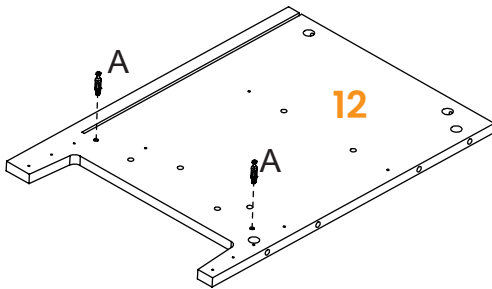
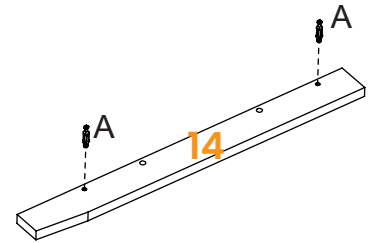
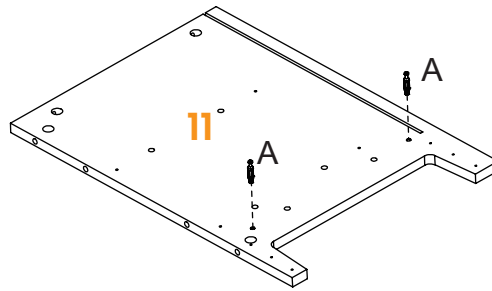
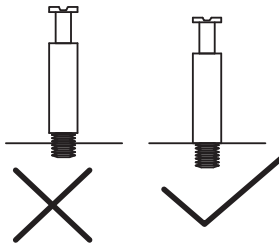
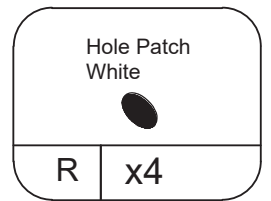
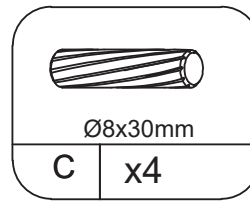
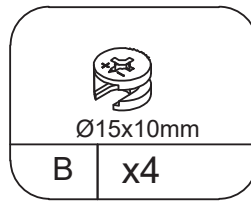
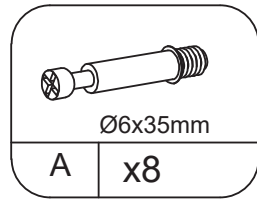
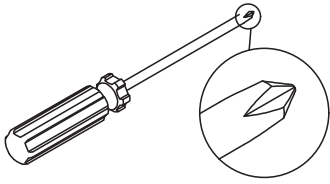


If you are missing any parts, please provide your order number and circle the part number. Send us a photo of this, and we will provide you with a satisfactory solution. Thank you.

STEP 1

Please tighten the screws after completing all installation.

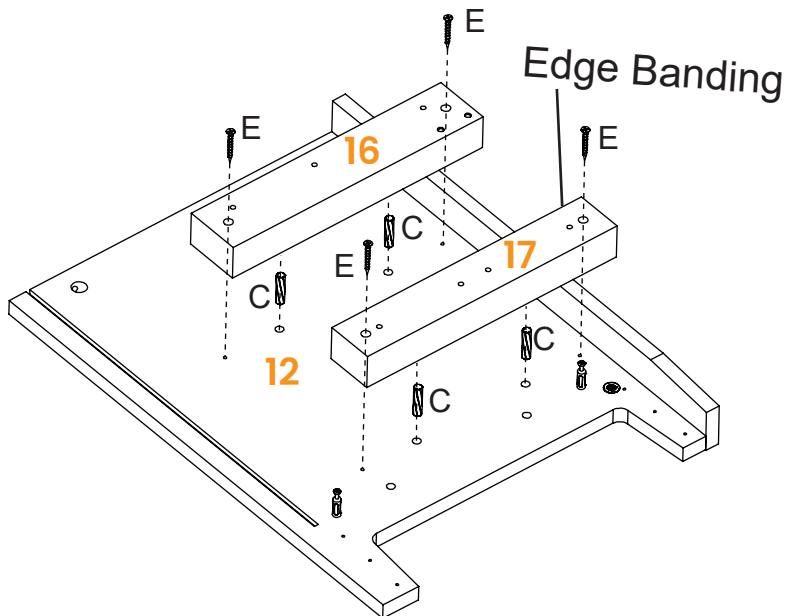
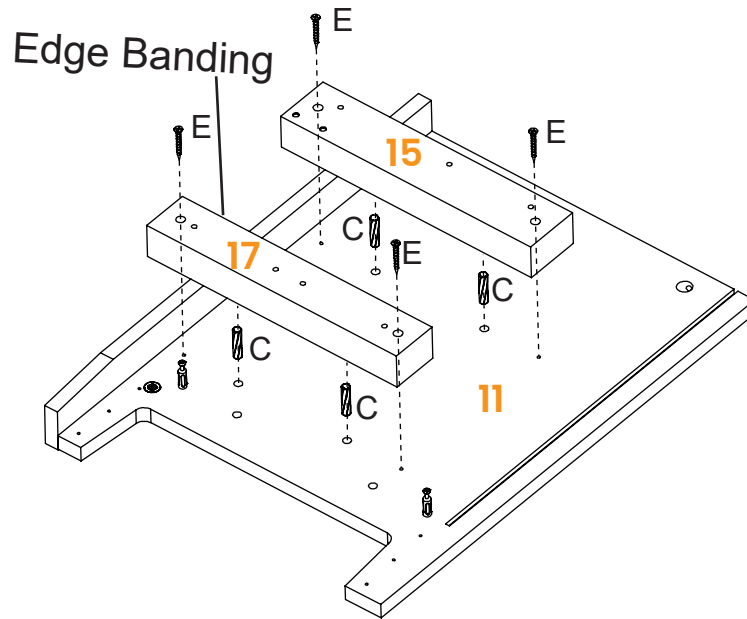
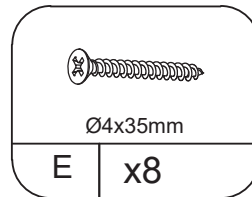
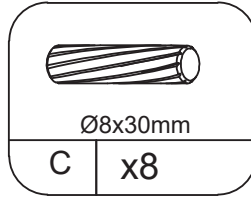
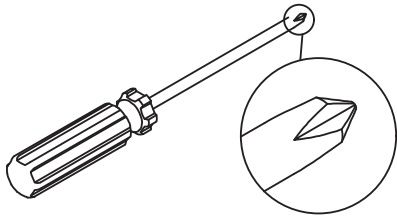
Por favor, apriete los tornillos después de instalar todo.



STEP 2

Please tighten the screws after completing all installation.

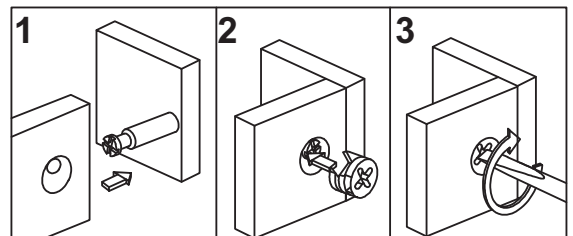
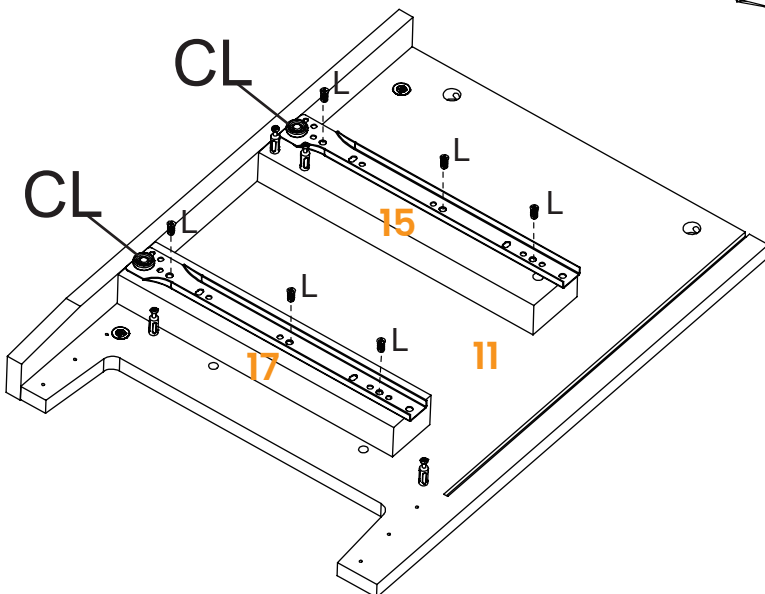
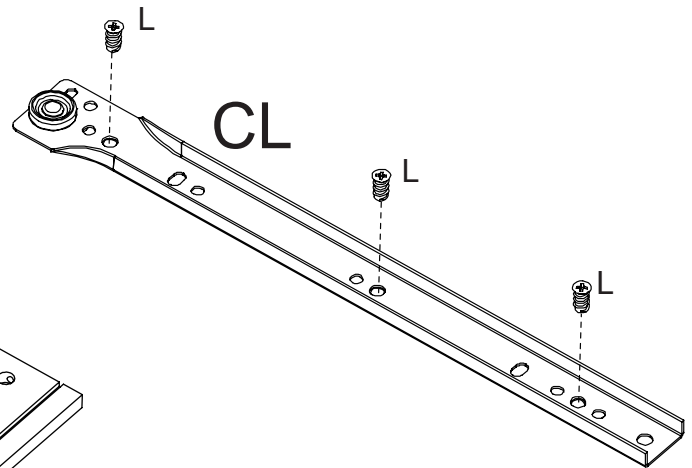
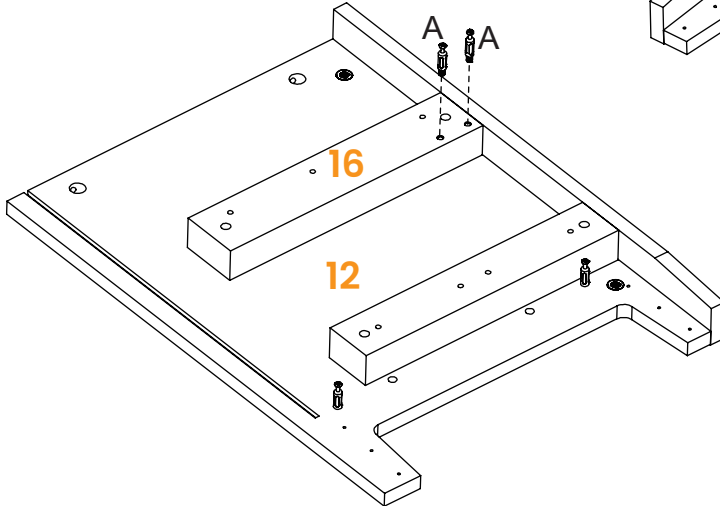
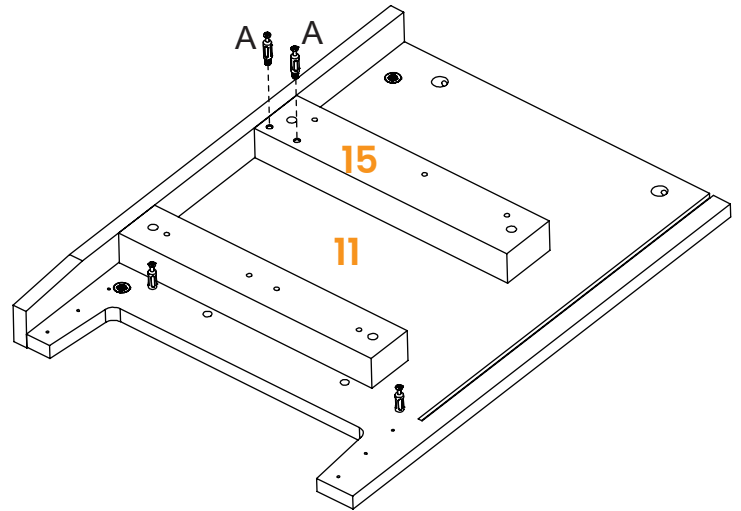
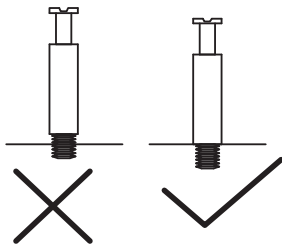
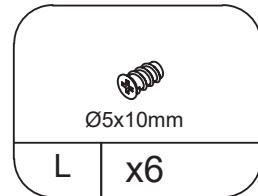
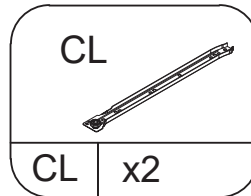
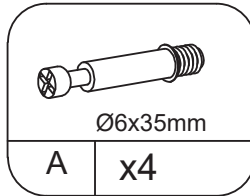
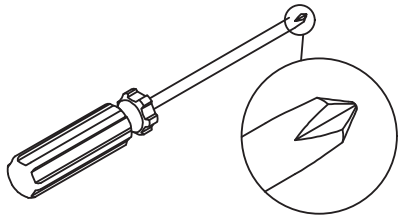
Por favor, apriete los tornillos después de instalar todo.



STEP 3

Please tighten the screws after completing all installation.

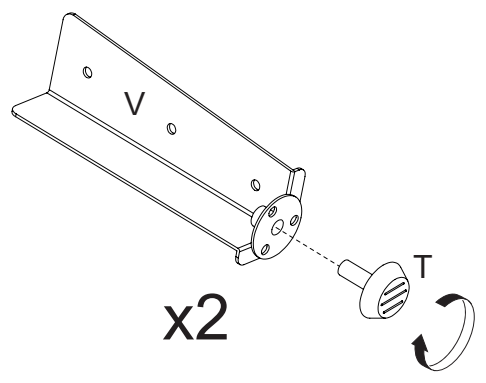
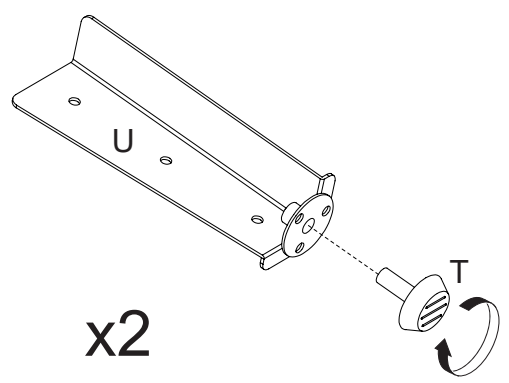
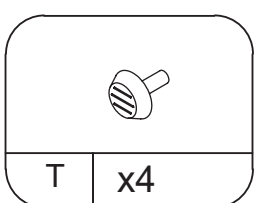
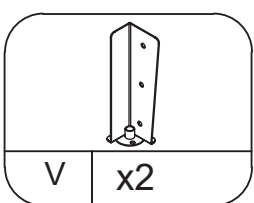
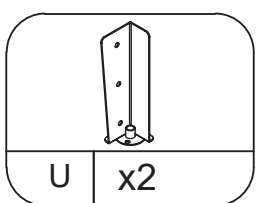
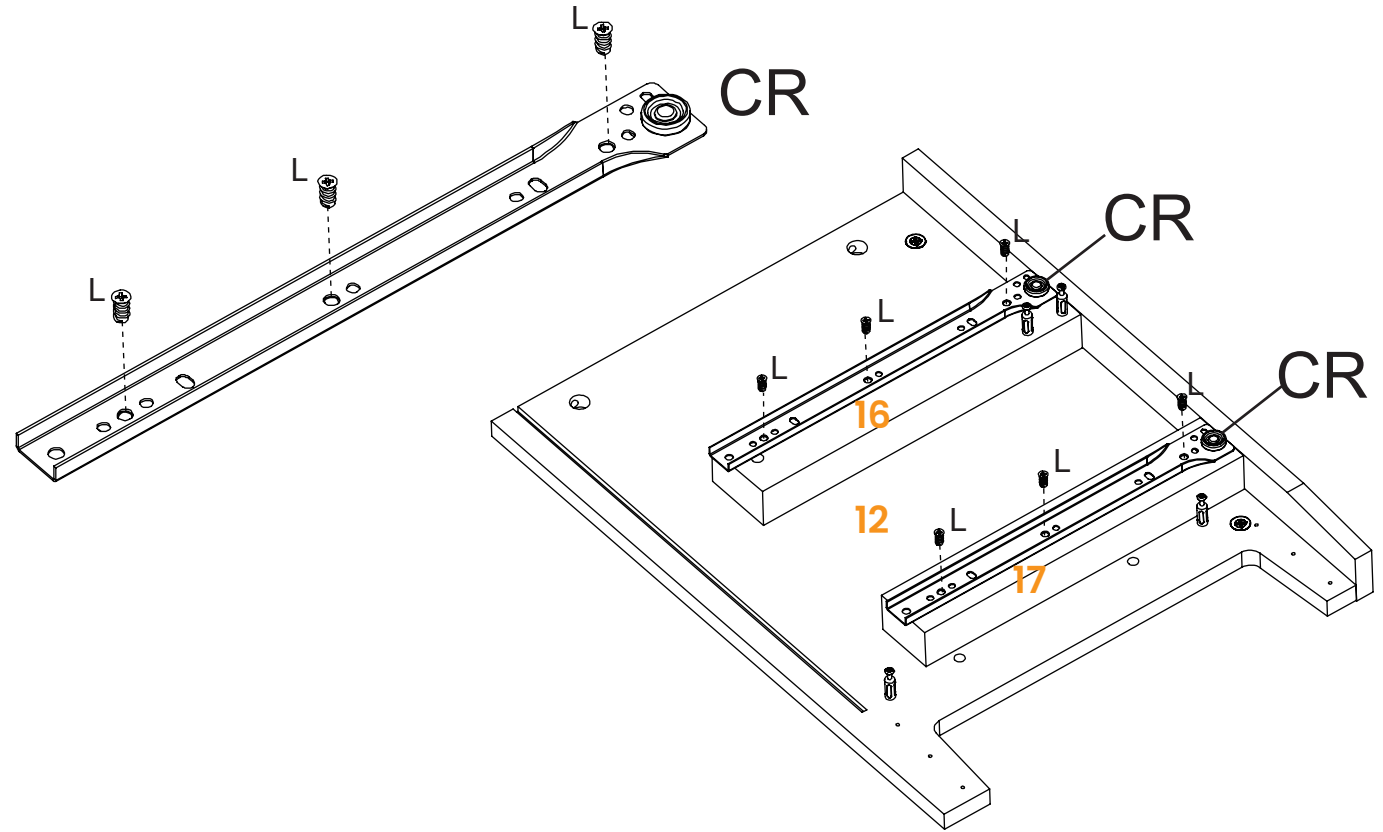
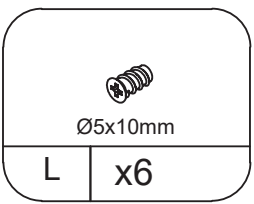
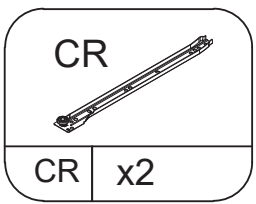
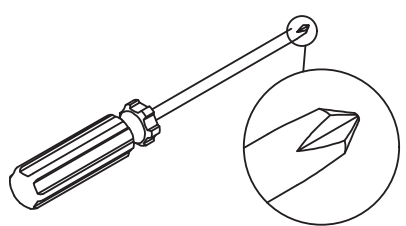
Por favor, apriete los tornillos después de instalar todo.



STEP 4

Please tighten the screws after completing all installation.

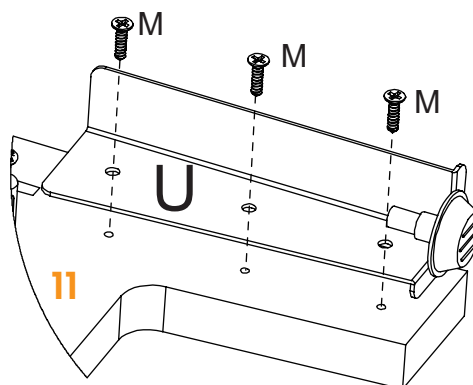
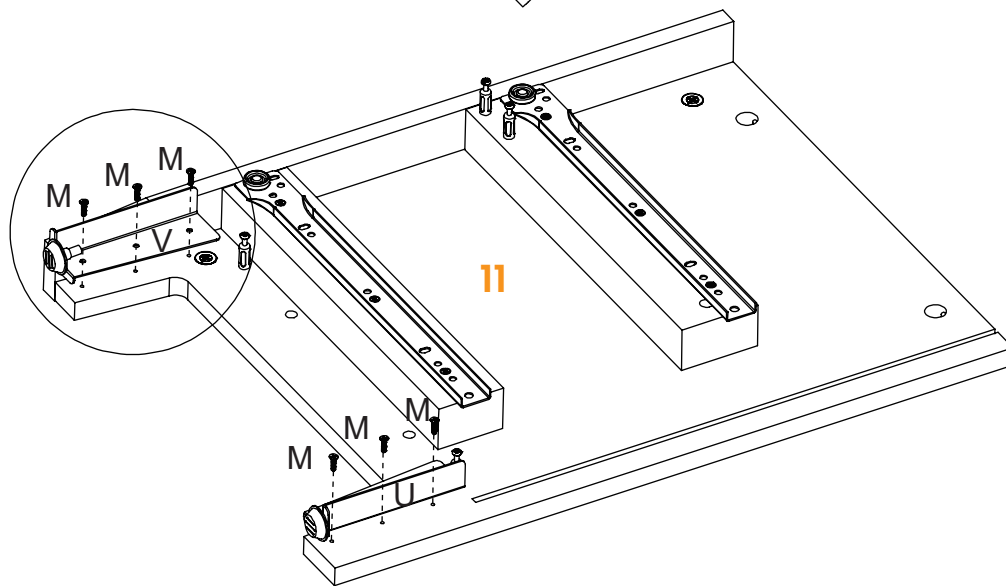
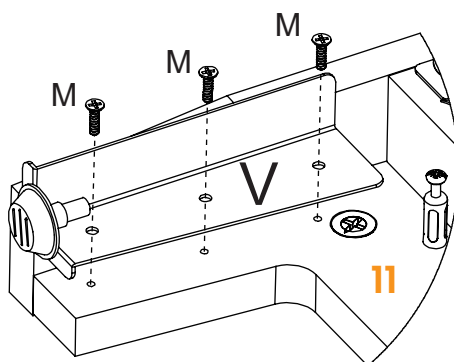
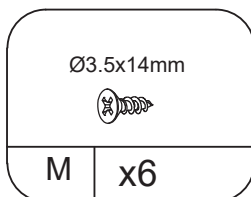
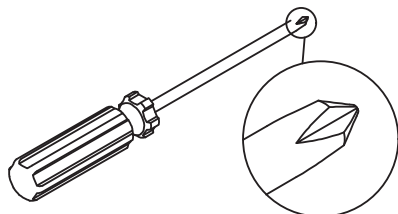
Por favor, apriete los tornillos después de instalar todo.



STEP 5

Please tighten the screws after completing all installation.

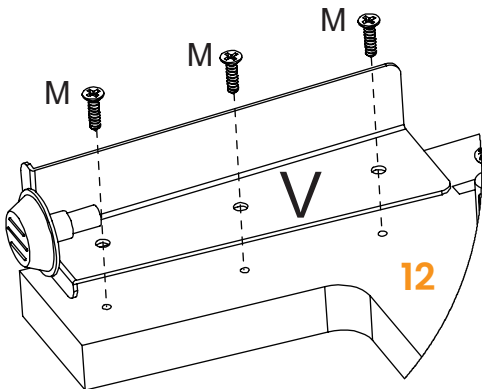
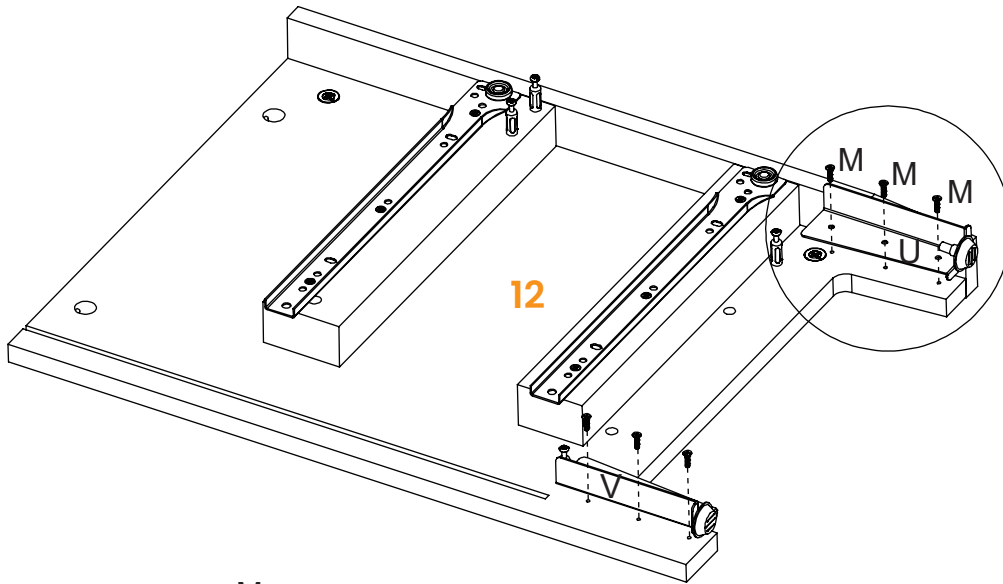
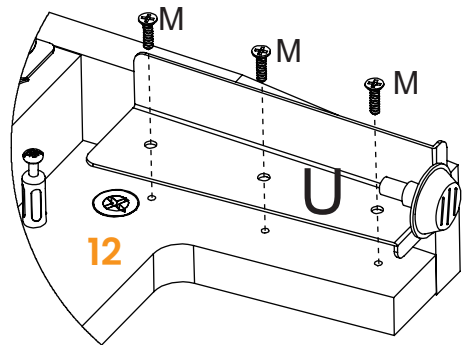
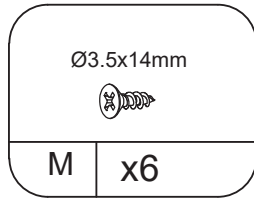
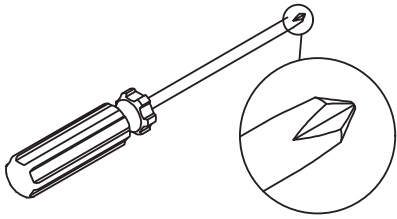
Por favor, apriete los tornillos después de instalar todo.



STEP 6

Please tighten the screws after completing all installation.

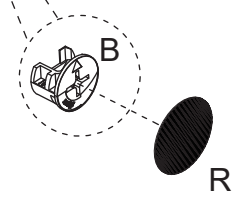
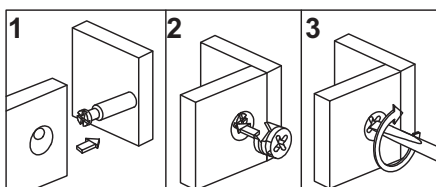
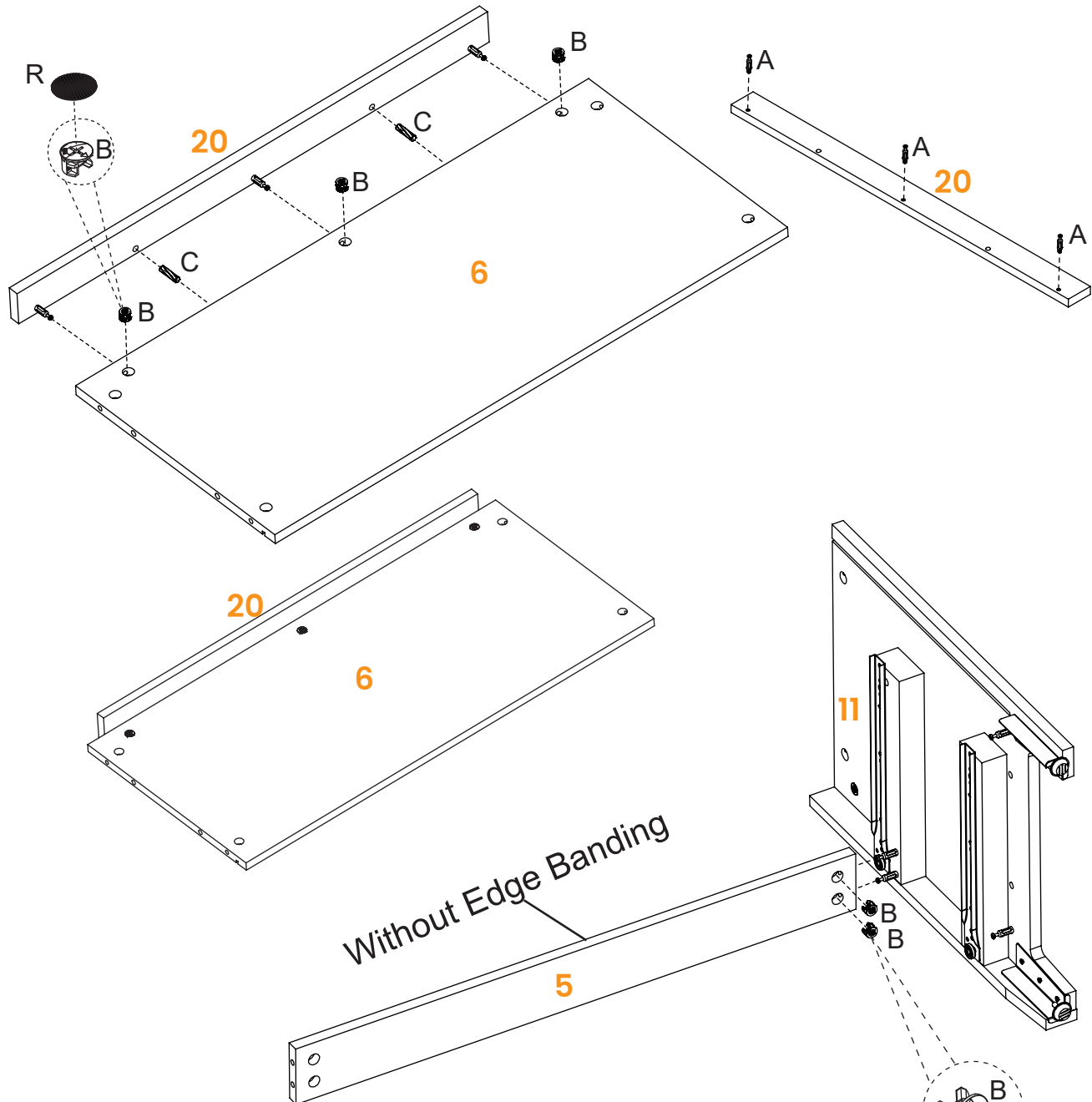
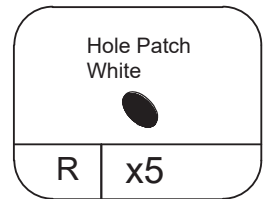
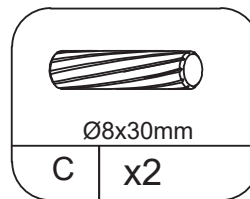
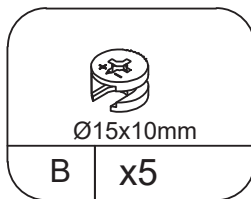
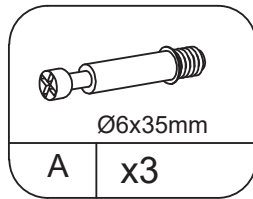
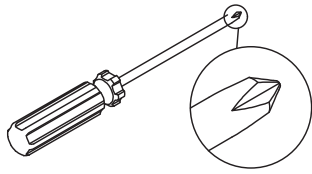
Por favor, apriete los tornillos después de instalar todo.



STEP 7

Please tighten the screws after completing all installation.

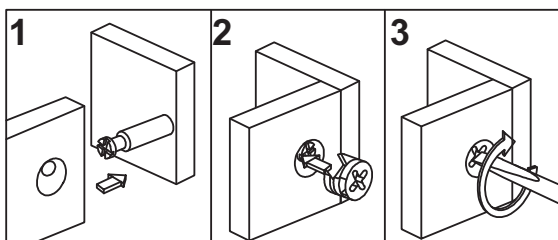
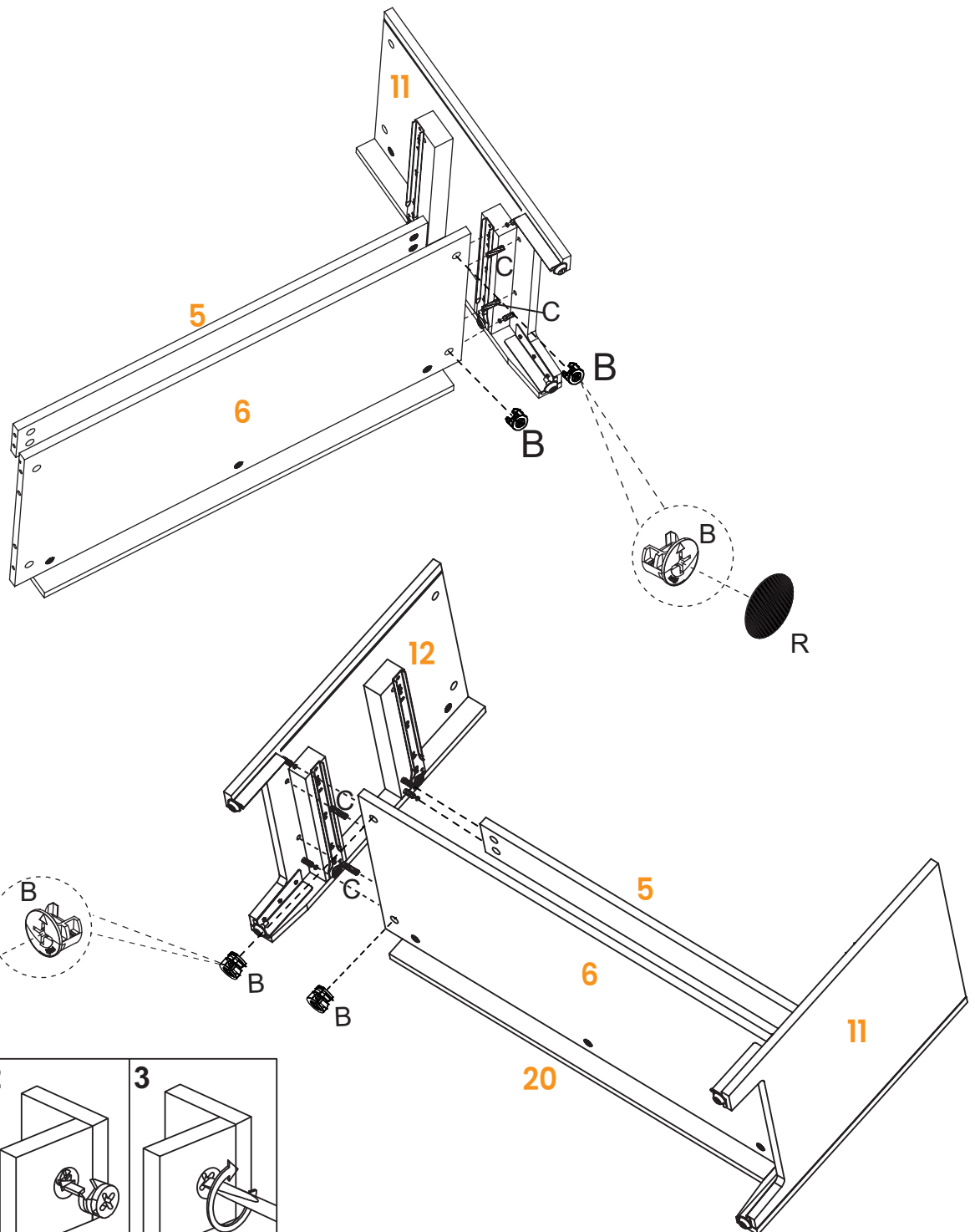
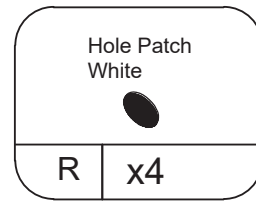
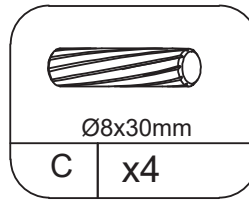
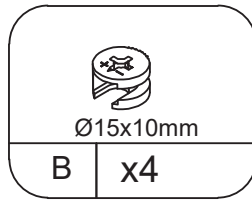
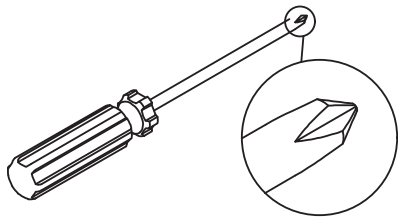
Por favor, apriete los tornillos después de instalar todo.



STEP 8

Please tighten the screws after completing all installation.

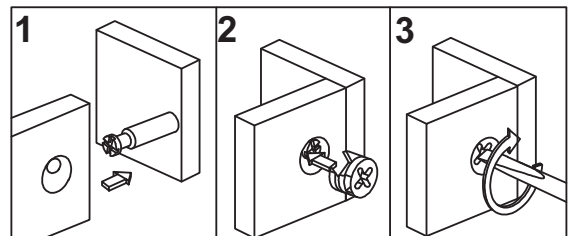
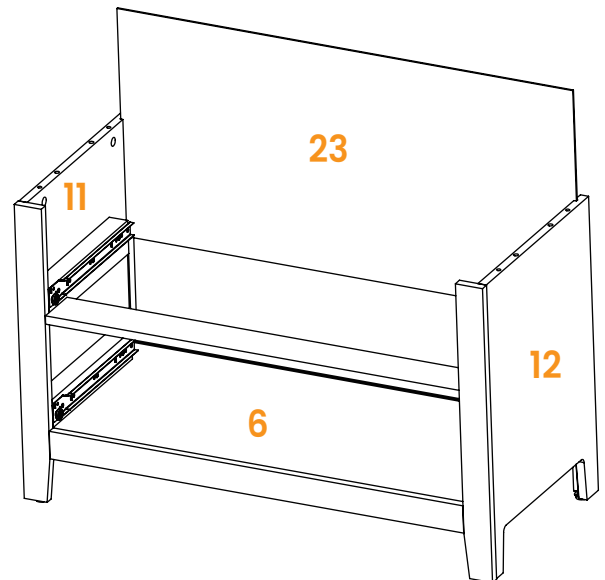
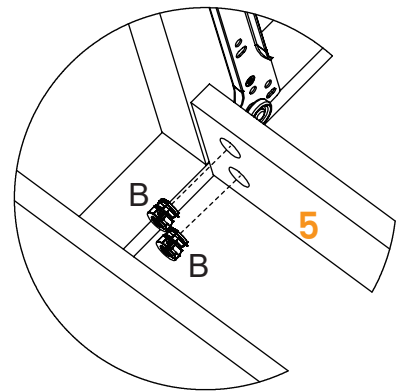
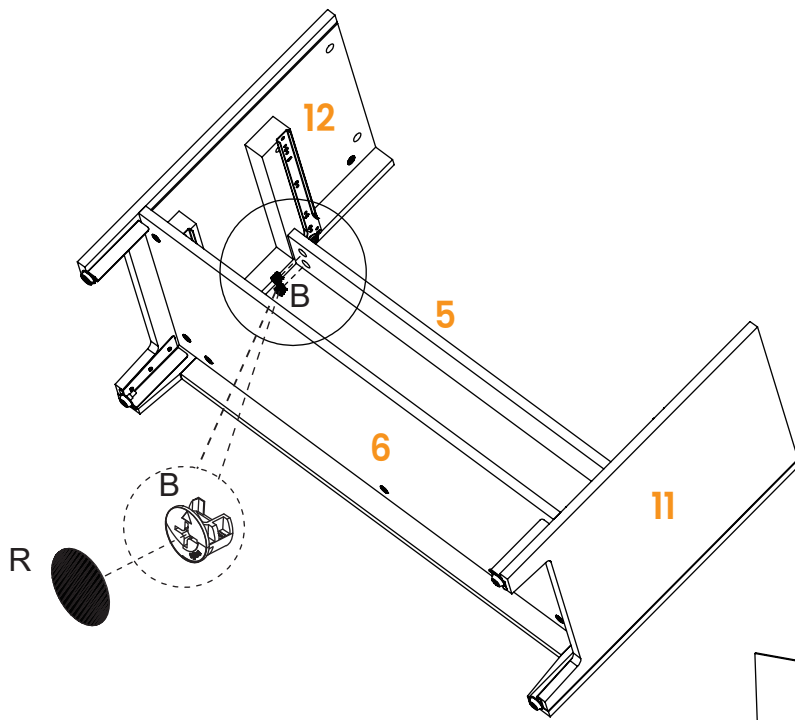
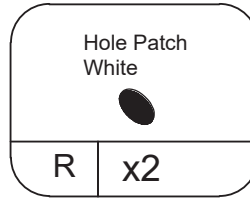
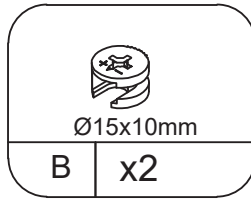
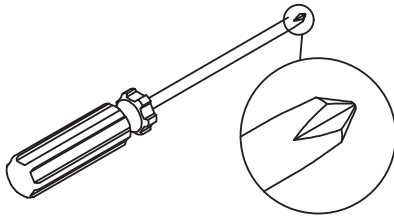
Por favor, apriete los tornillos después de instalar todo.



STEP 9

Please tighten the screws after completing all installation.

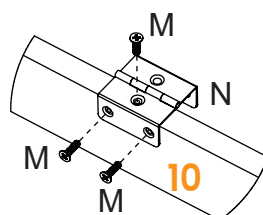
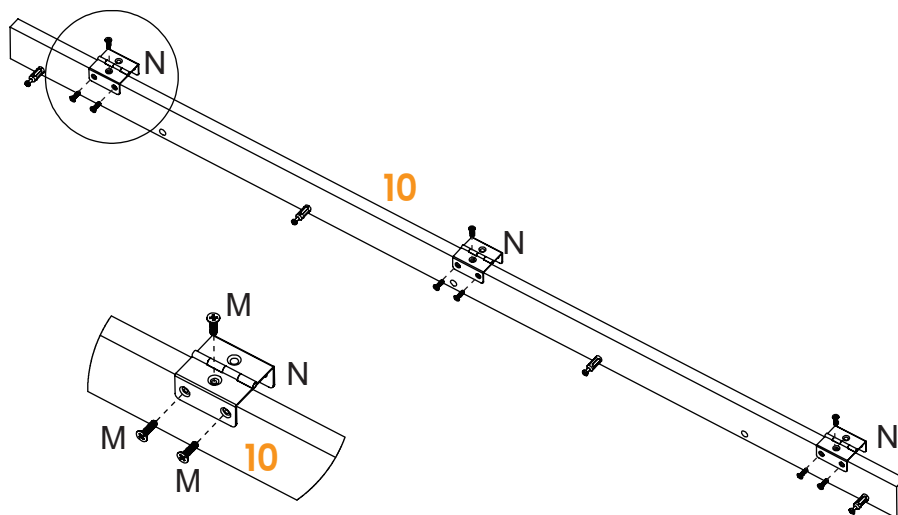
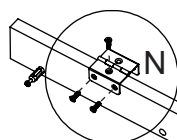
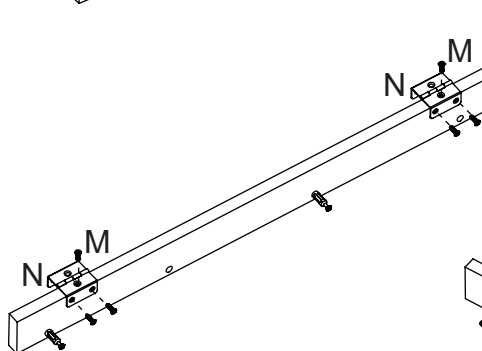
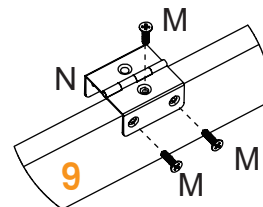
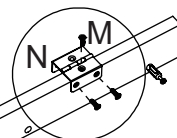
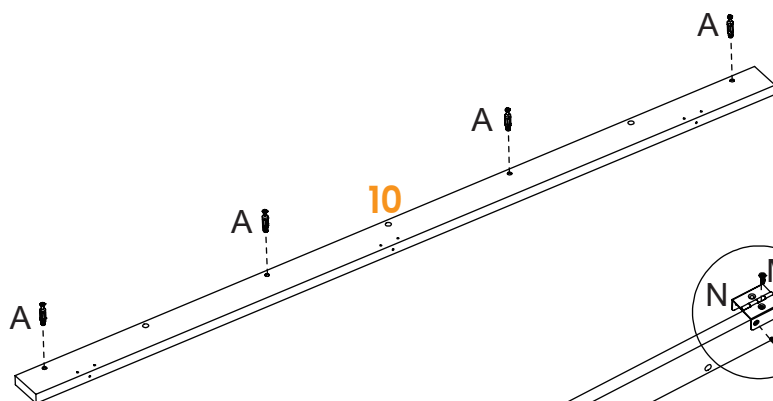
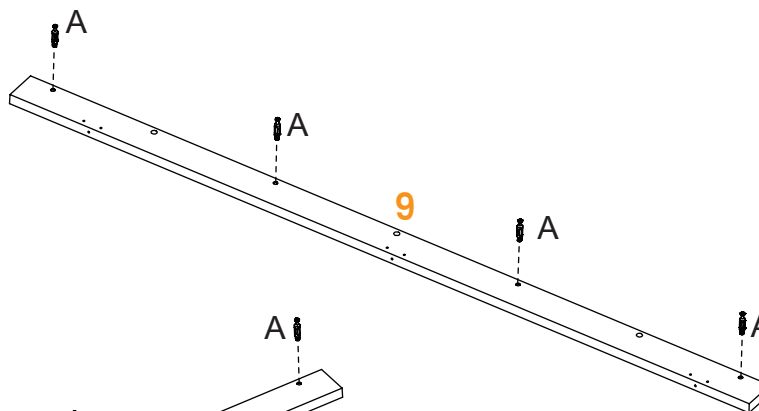
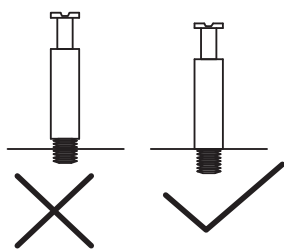
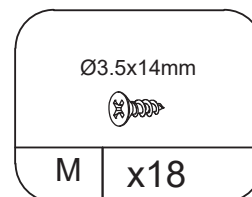
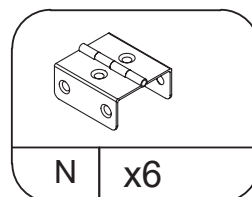
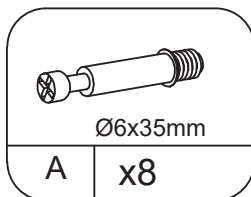
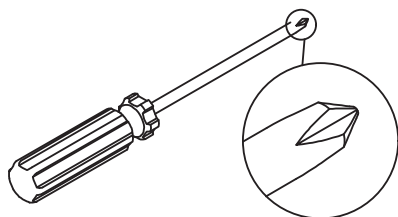
Por favor, apriete los tornillos después de instalar todo.



STEP 10

Please tighten the screws after completing all installation.

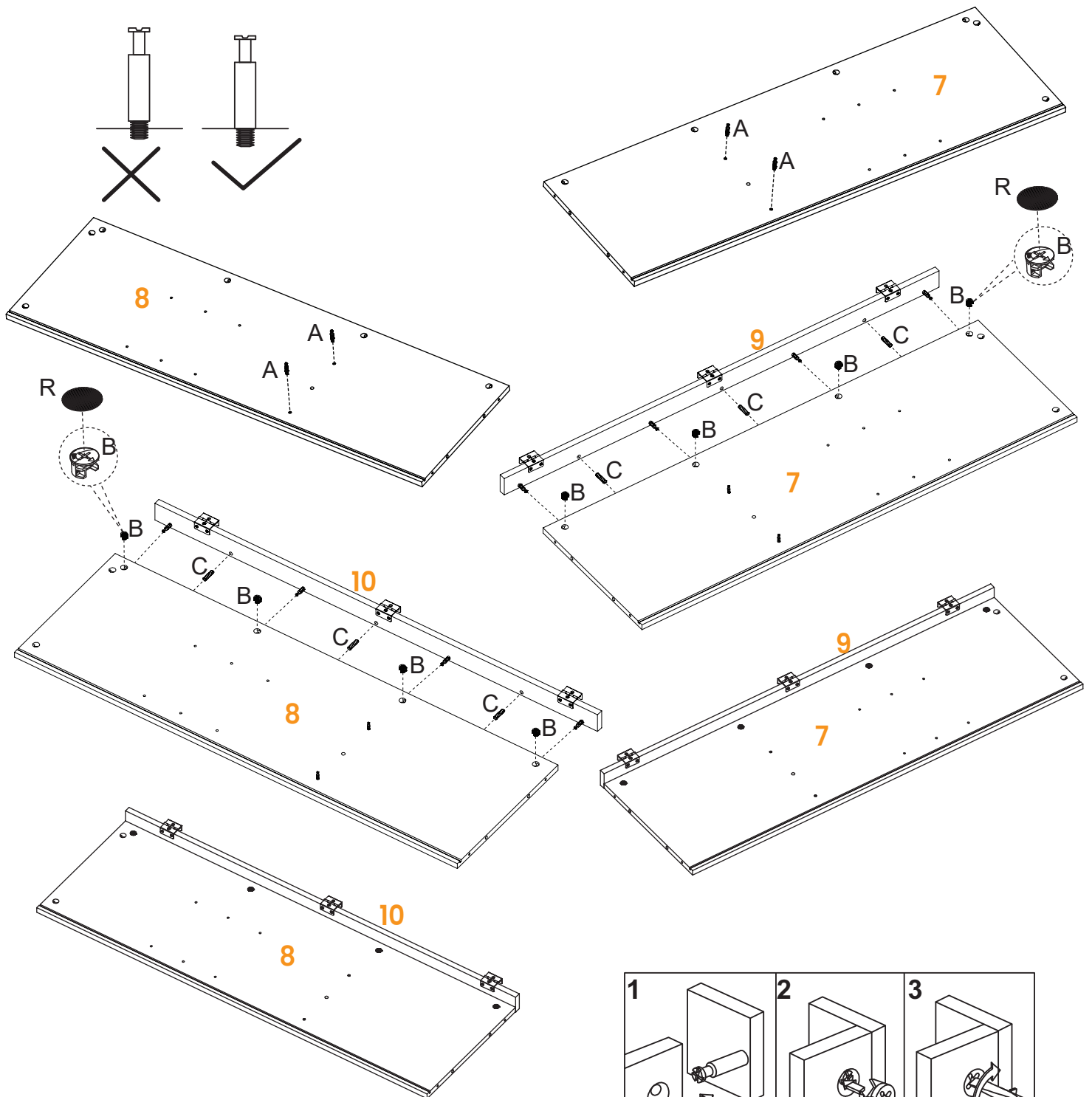
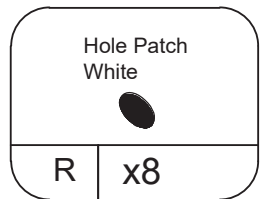
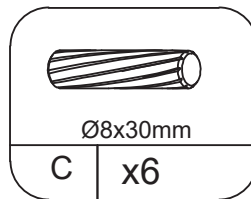
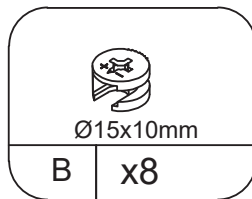
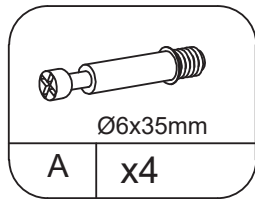
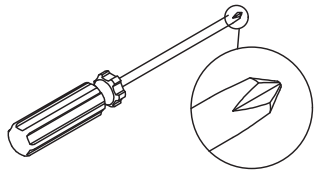
Por favor, apriete los tornillos después de instalar todo.



STEP 11

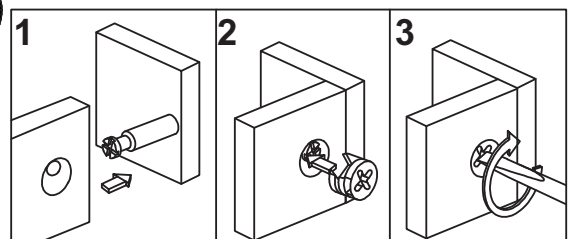
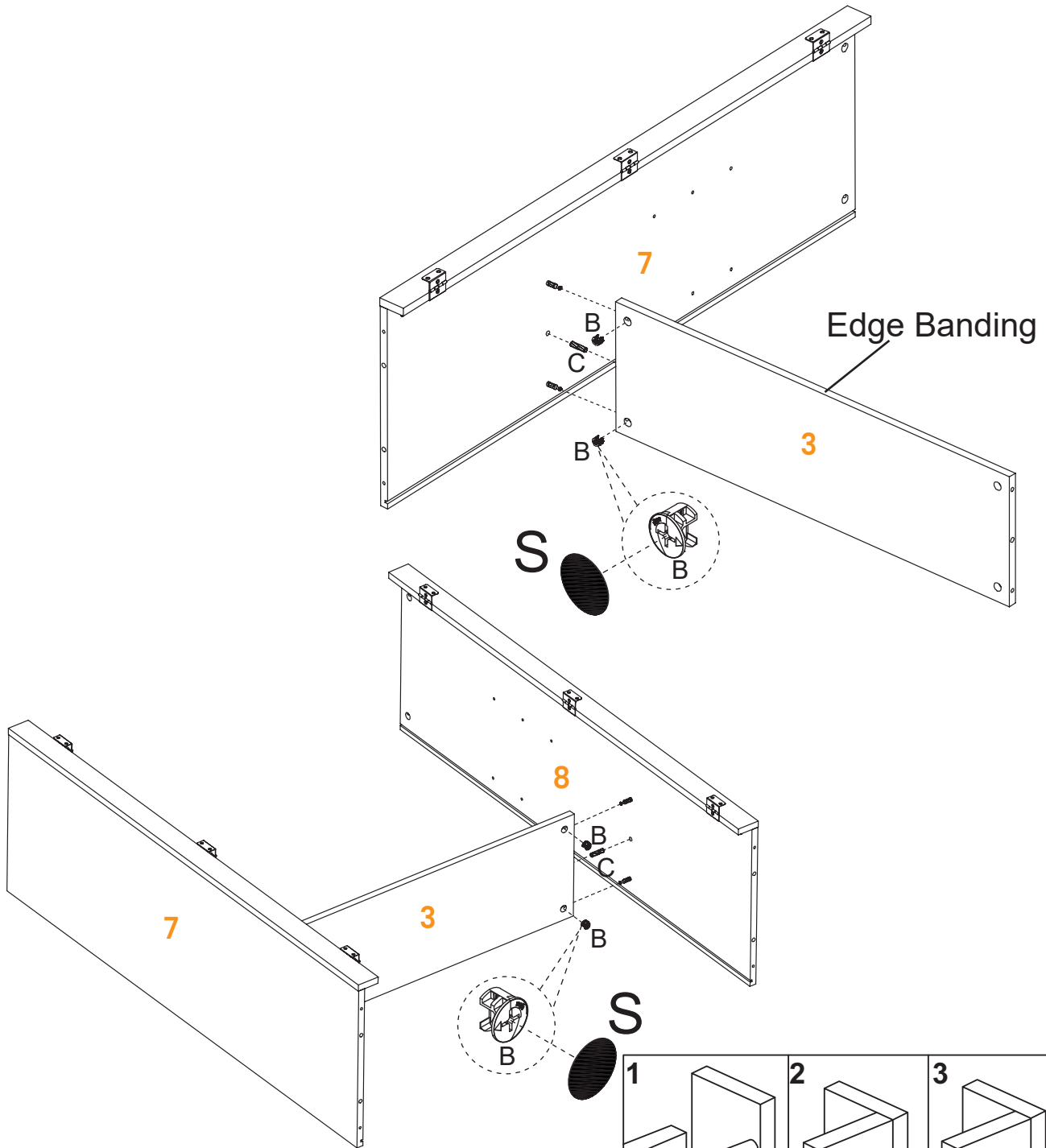
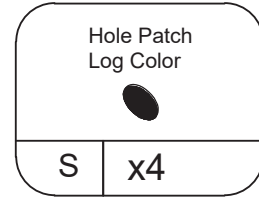
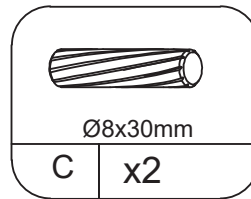
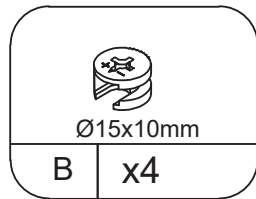
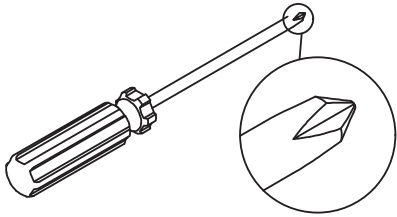
Please tighten the screws after completing all installation.

Por favor, apriete los tornillos después de instalar todo.



STEP 12 Please tighten the screws after completing all installation.

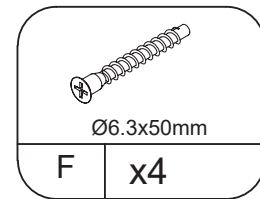
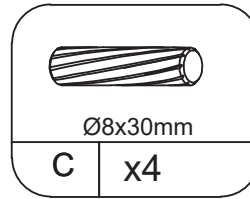
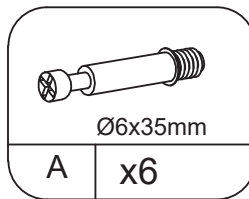
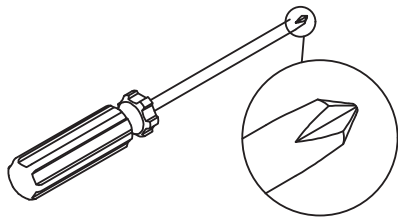
Por favor, apriete los tornillos después de instalar todo.



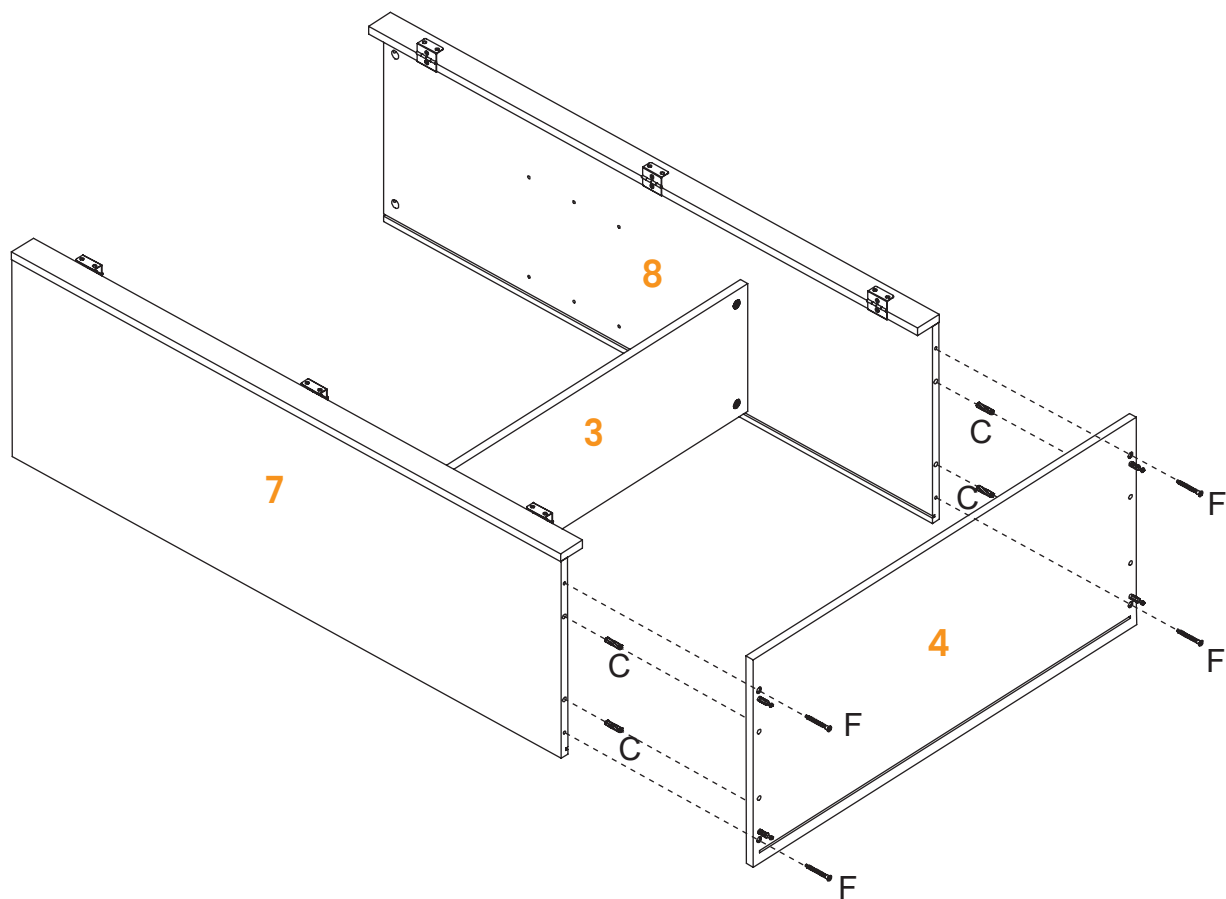
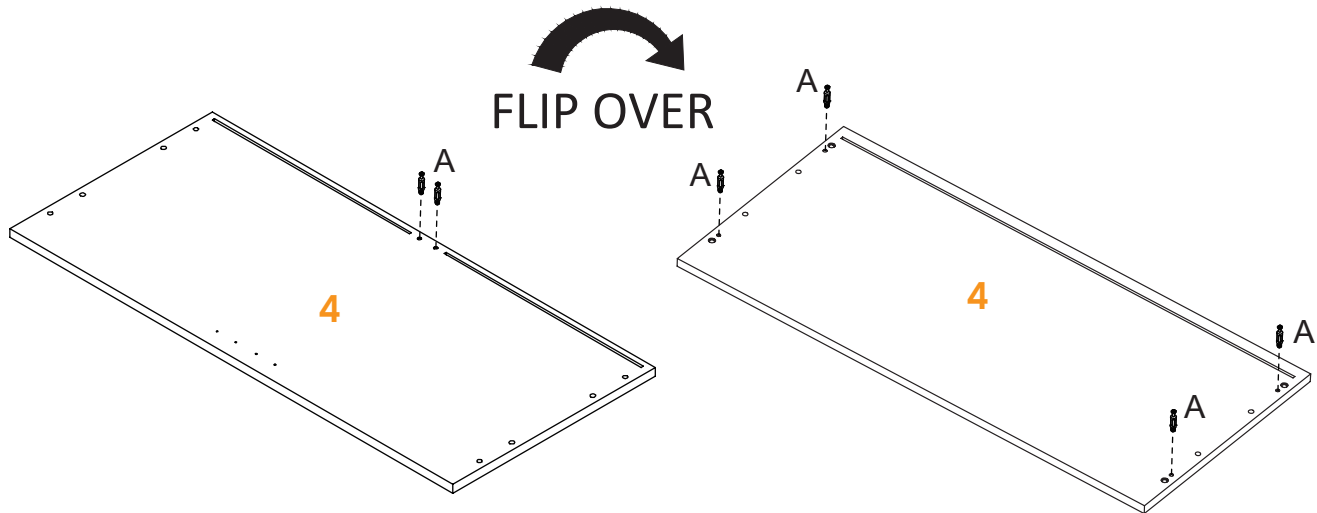
STEP 13

Please tighten the screws after completing all installation.

Por favor, apriete los tornillos después de instalar todo.

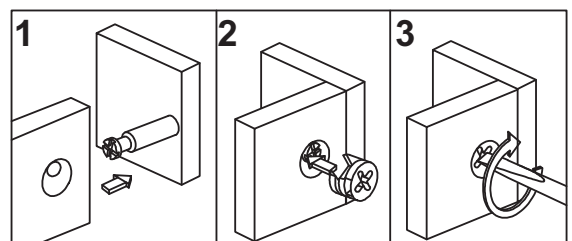
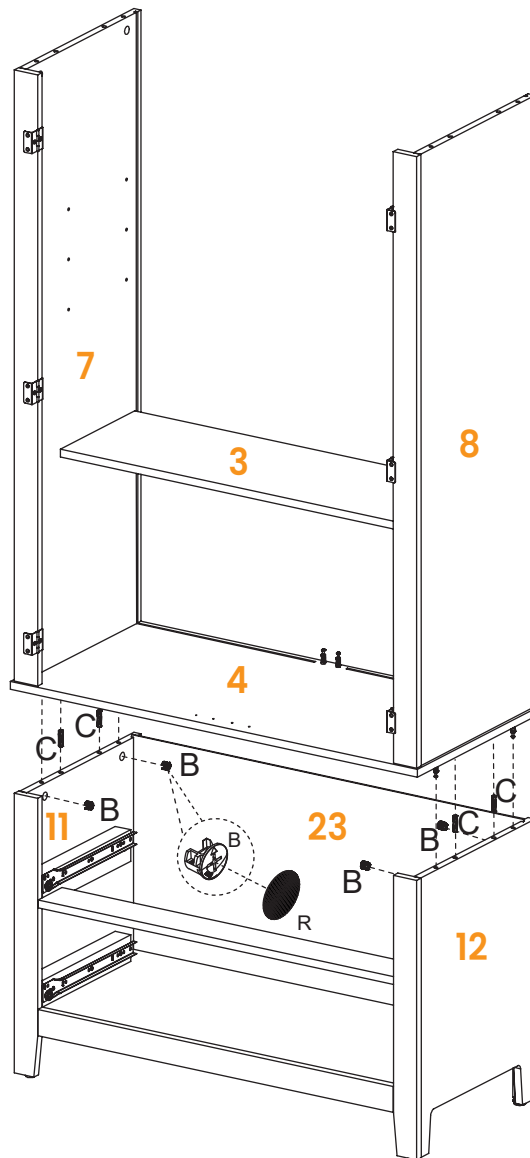
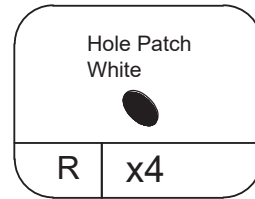
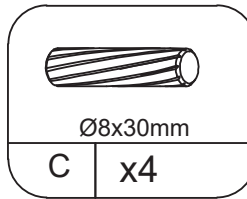
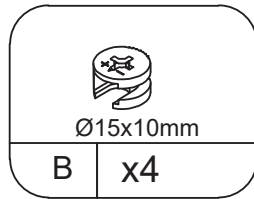
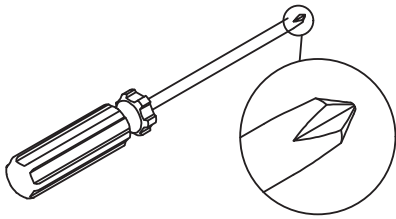



FLIP OVER



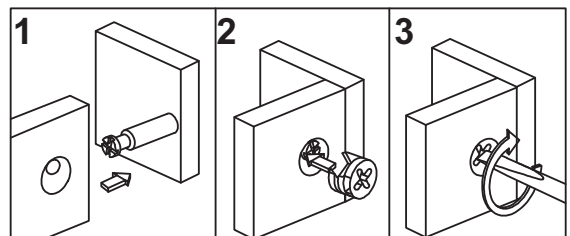
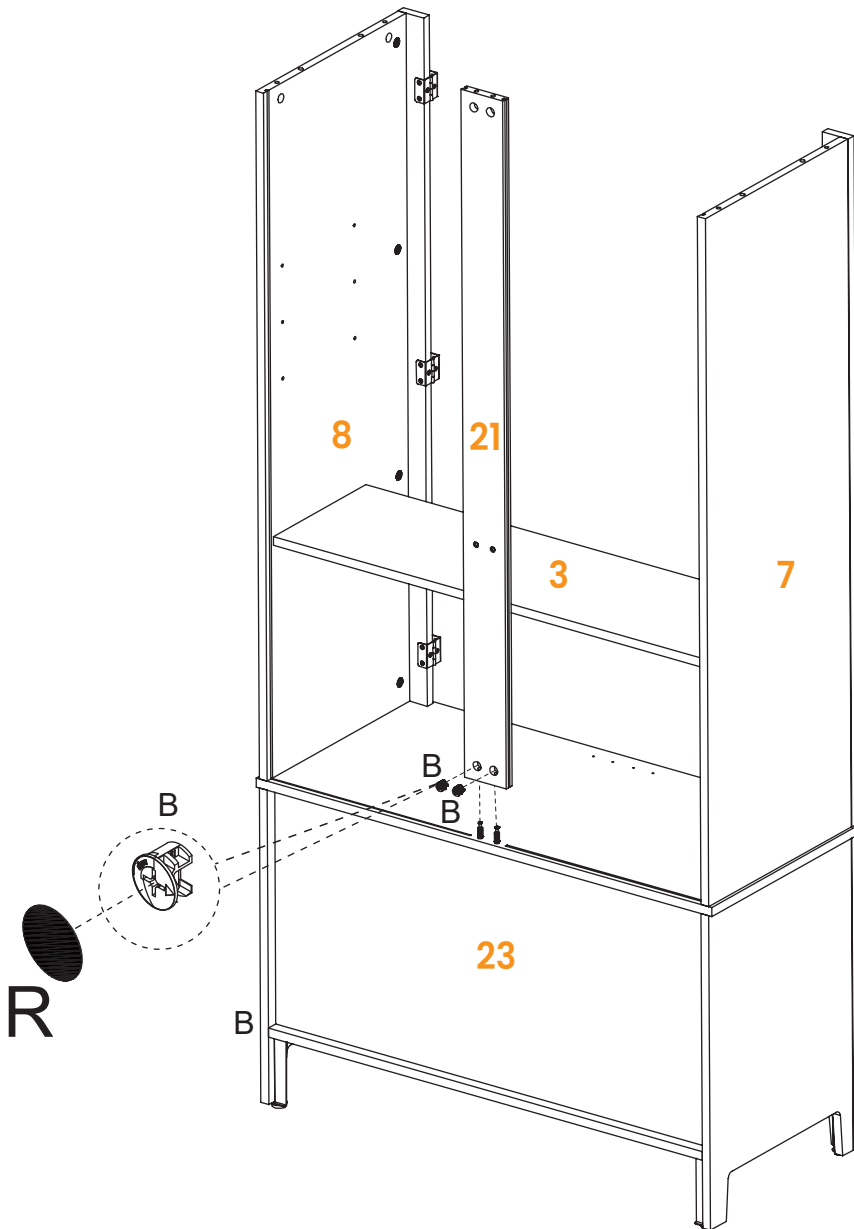
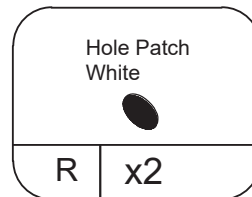
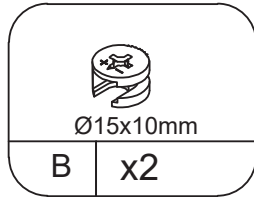
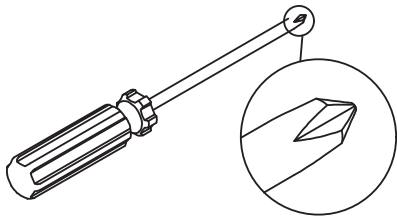
STEP 14 Please tighten the screws after completing all installation.

Por favor, apriete los tornillos después de instalar todo.



STEP 15 Please tighten the screws after completing all installation.

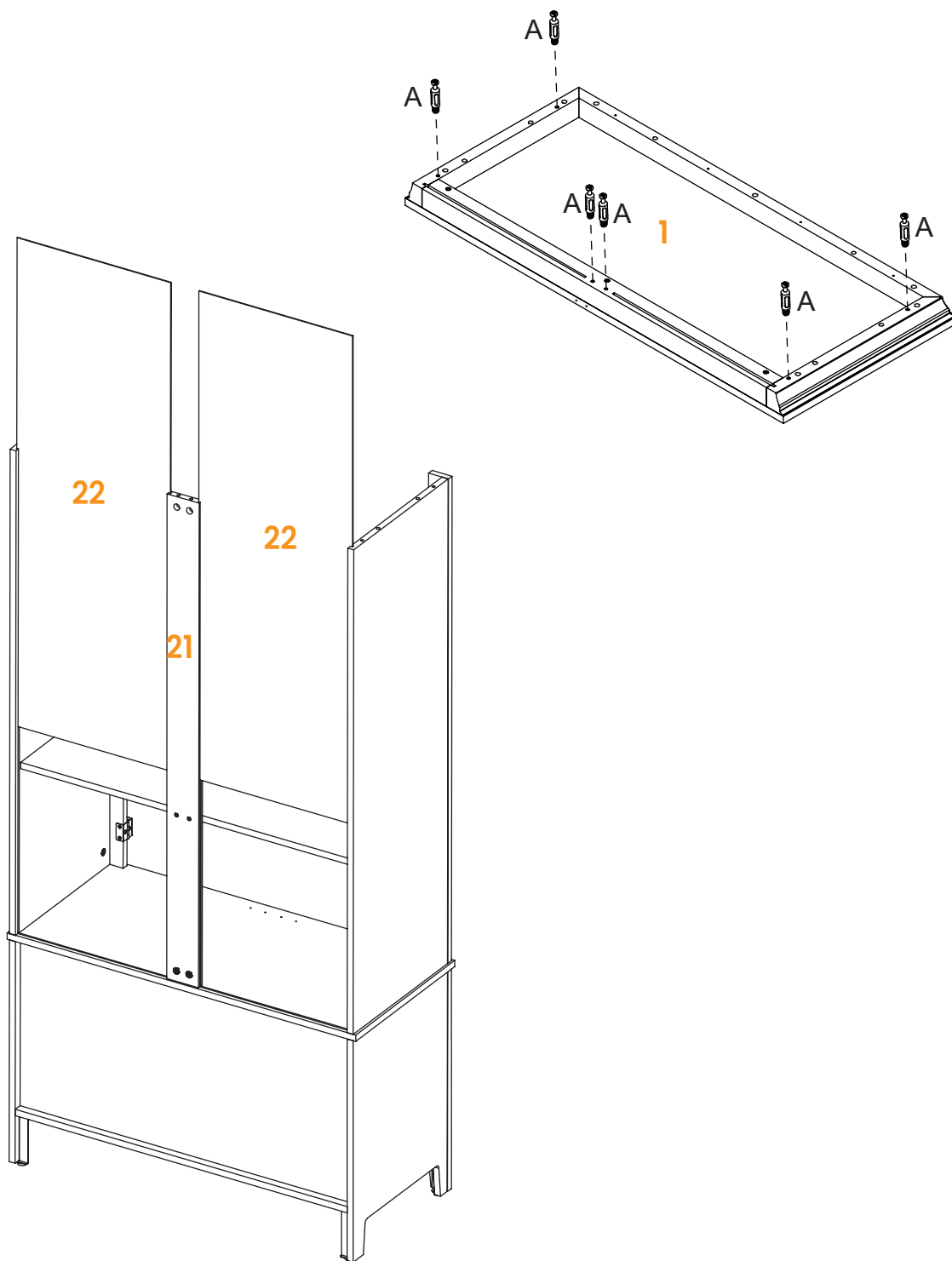
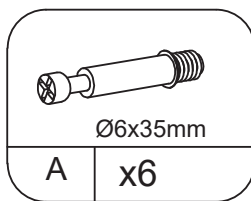
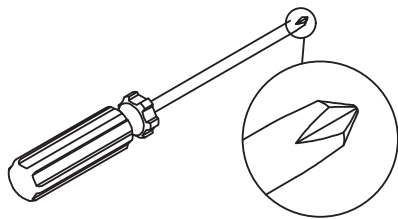
Por favor, apriete los tornillos después de instalar todo.



STEP 16

Please tighten the screws after completing all installation.

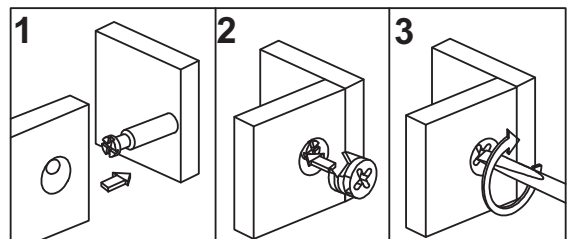
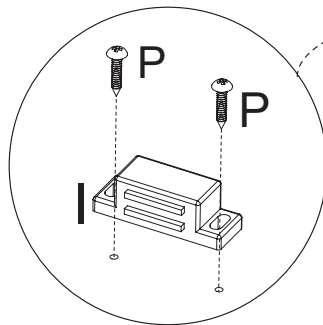
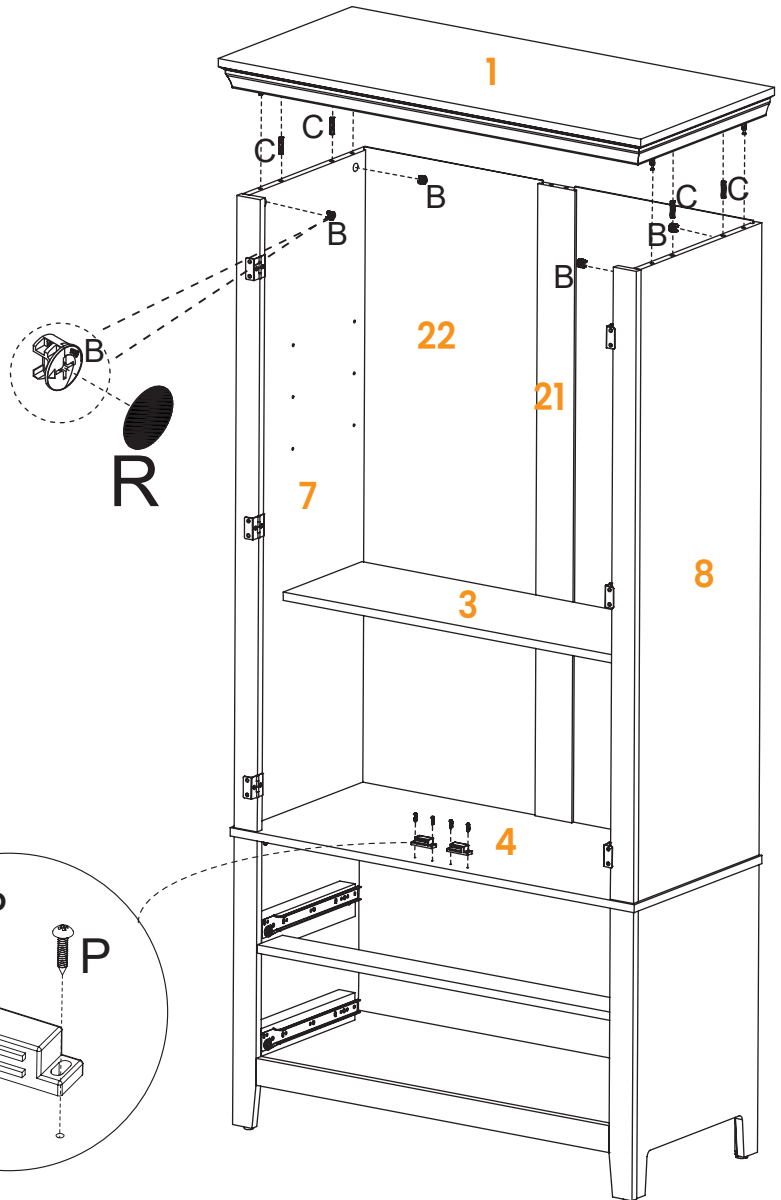
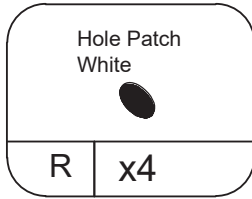
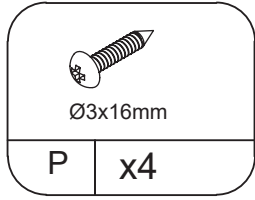
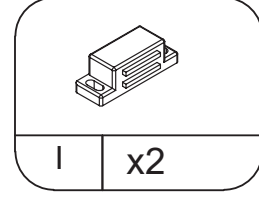
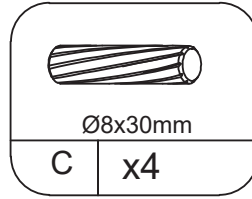
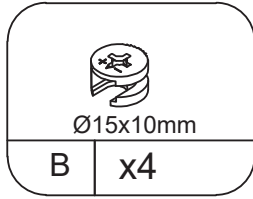
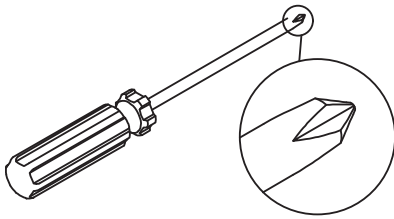
Por favor, apriete los tornillos después de instalar todo.



STEP 17

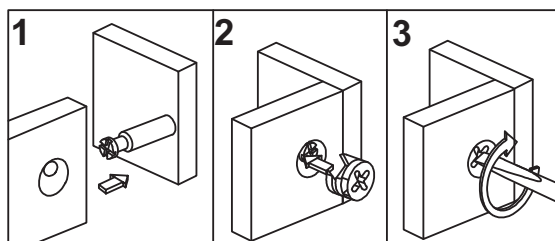
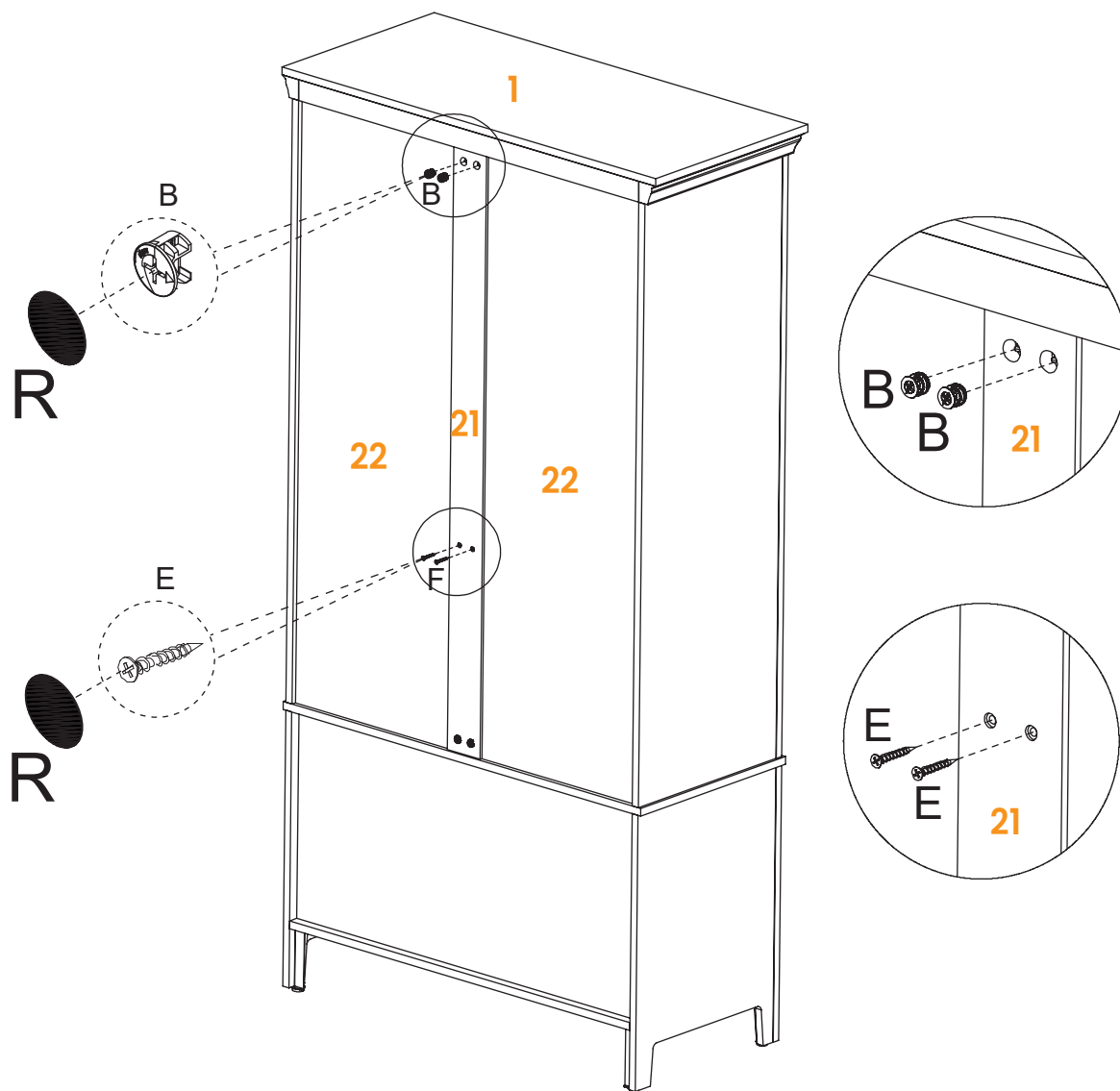
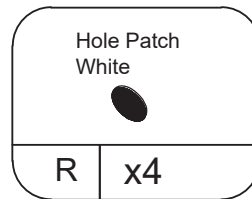
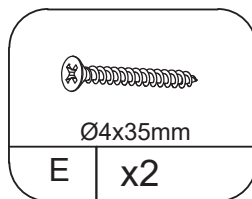
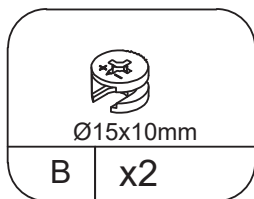
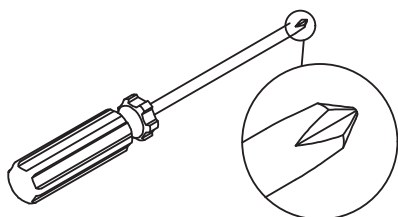
Please tighten the screws after completing all installation.

Por favor, apriete los tornillos después de instalar todo.



STEP 18 Please tighten the screws after completing all installation.

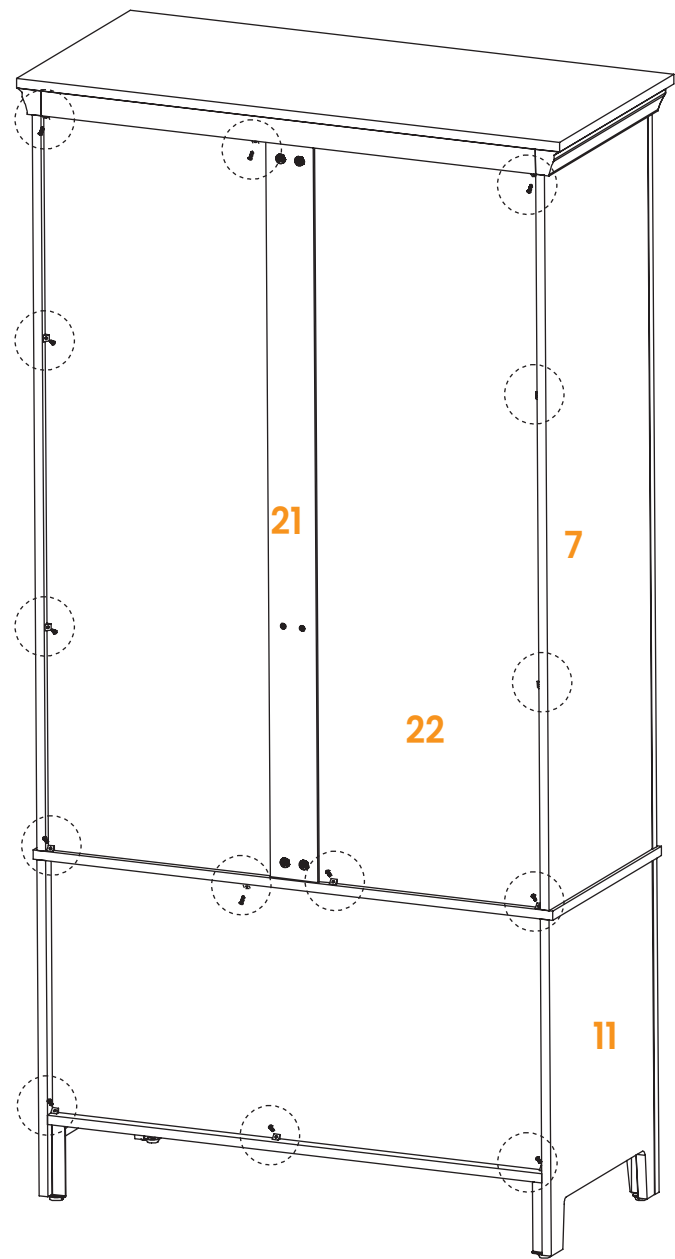
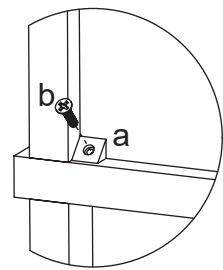
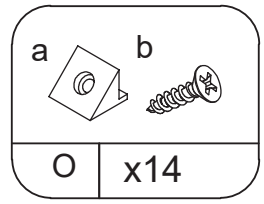
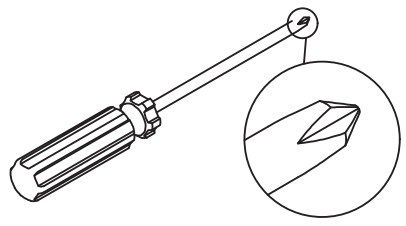
Por favor, apriete los tornillos después de instalar todo.



STEP 19

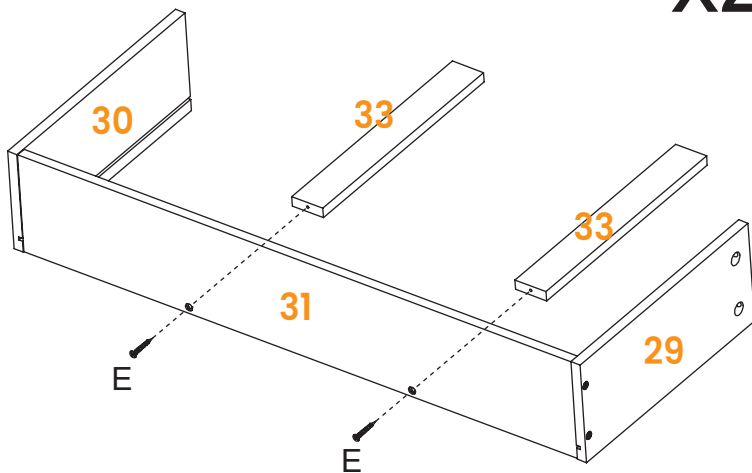
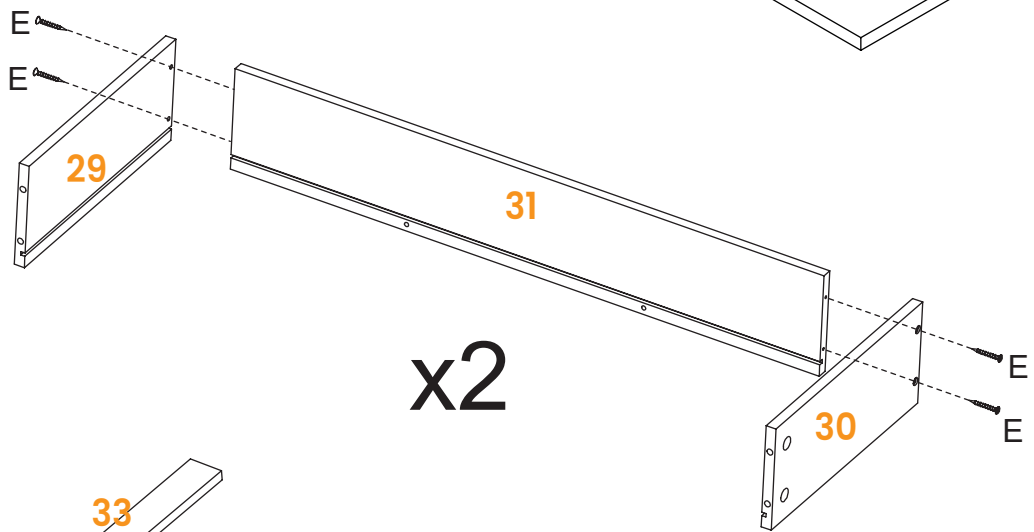
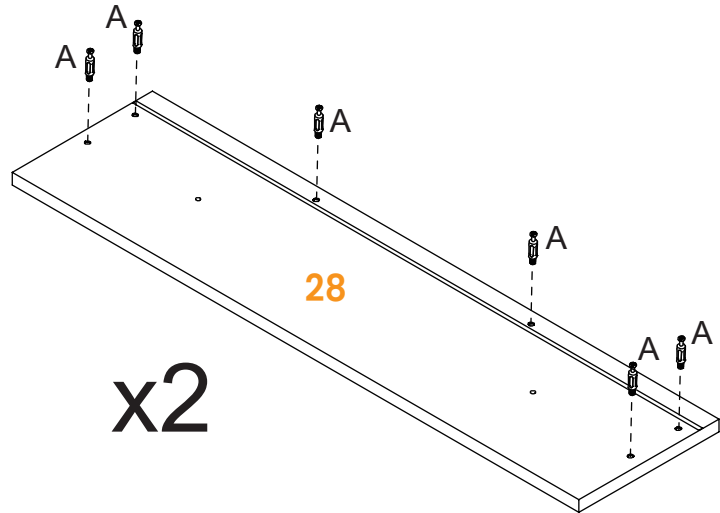
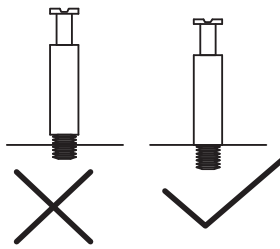
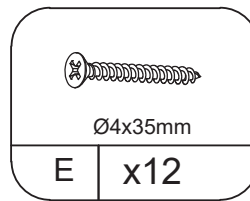
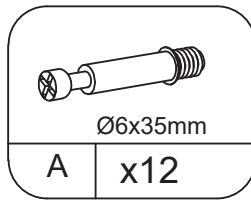
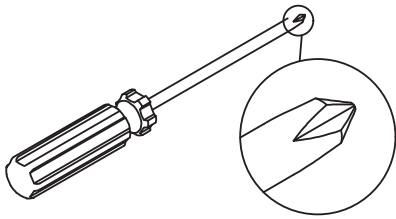
Please tighten the screws after completing all installation.

Por favor, apriete los tornillos después de instalar todo.



STEP 20 Please tighten the screws after completing all installation.

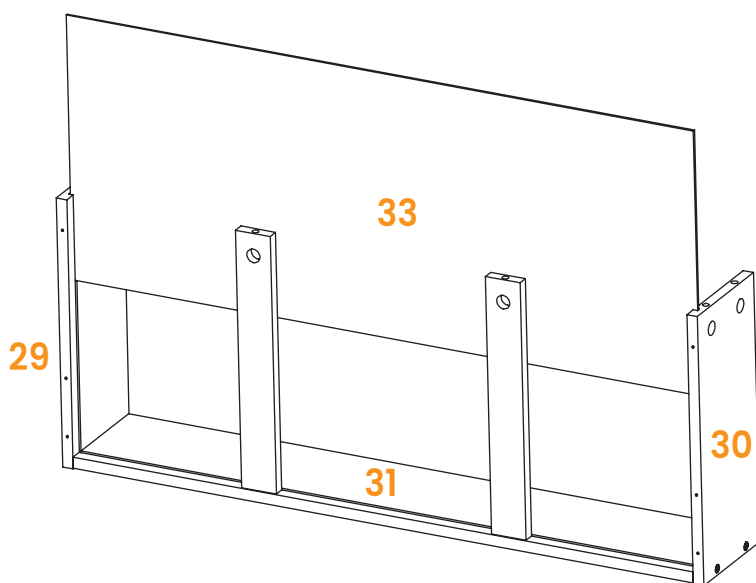
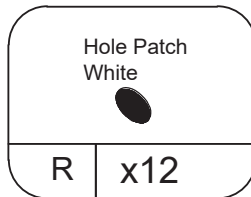
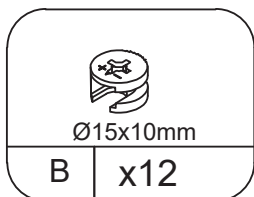
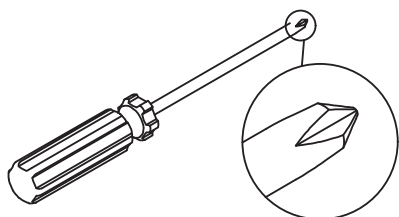
Por favor, apriete los tornillos después de instalar todo.



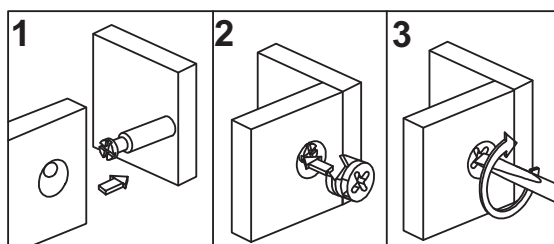
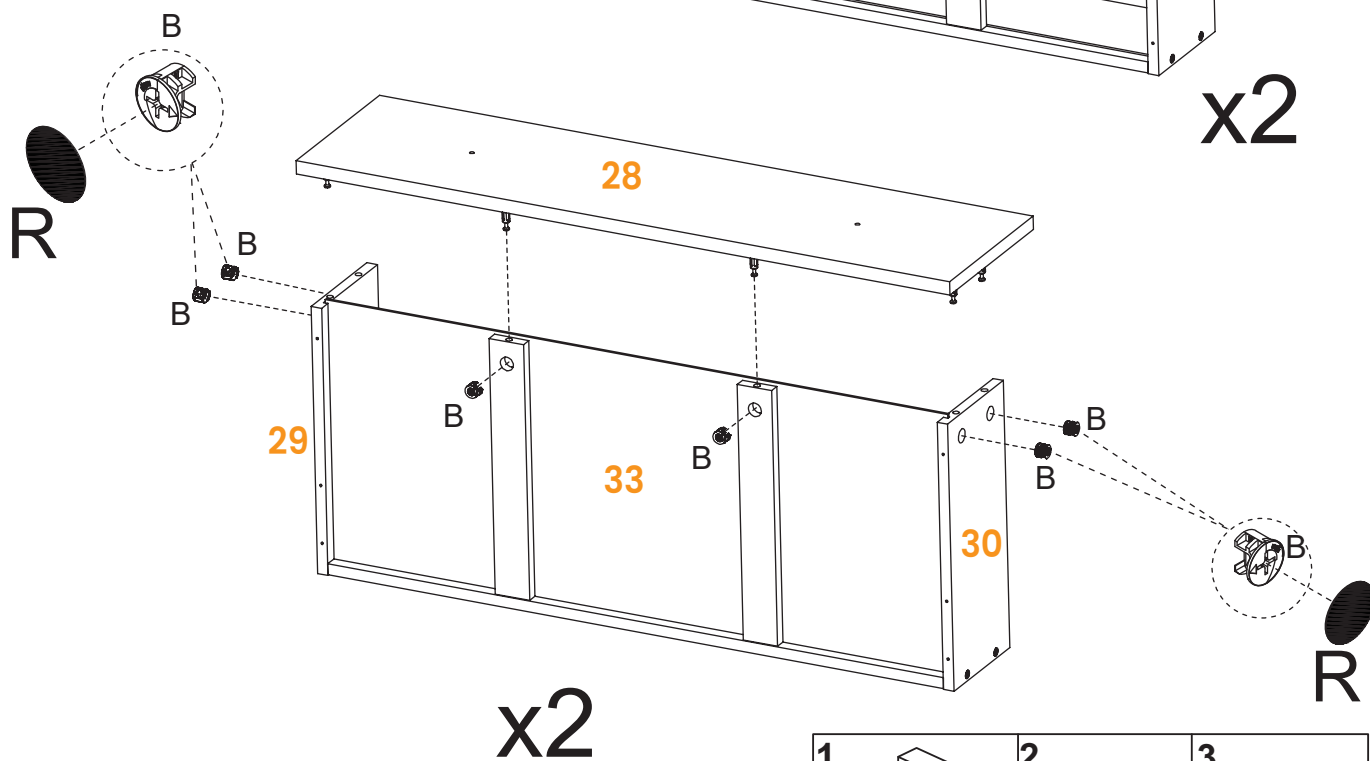
x2

STEP 21 Please tighten the screws after completing all installation.

Por favor, apriete los tornillos después de instalar todo.

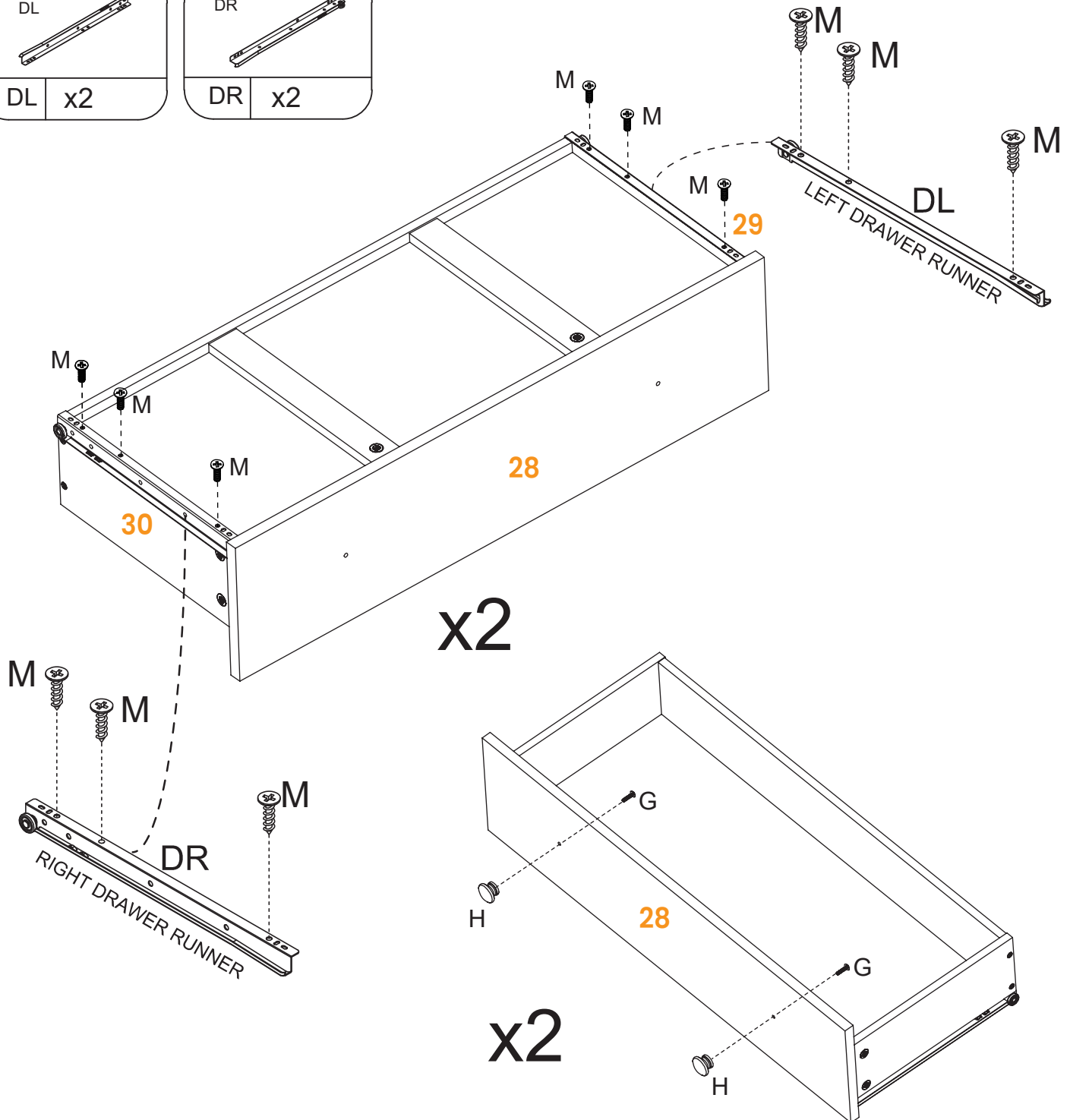
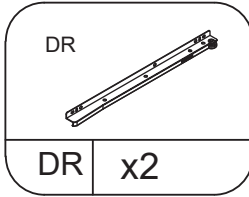
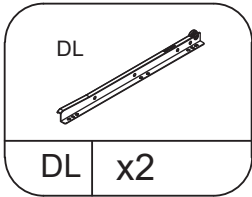
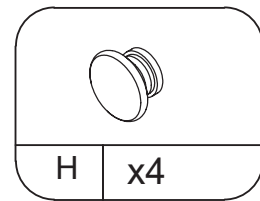
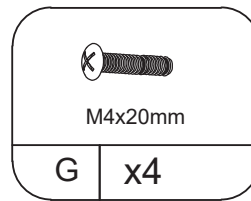
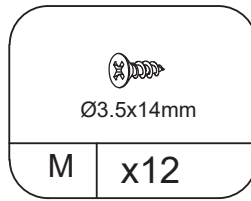
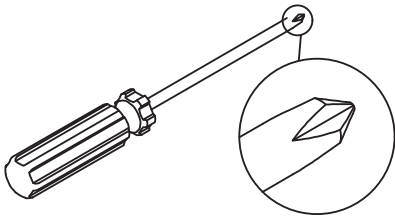


x2



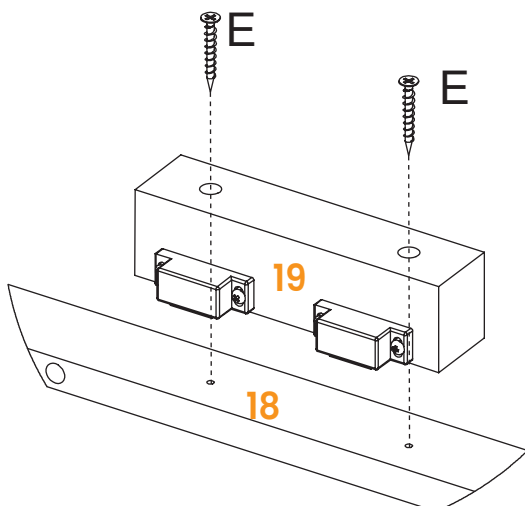
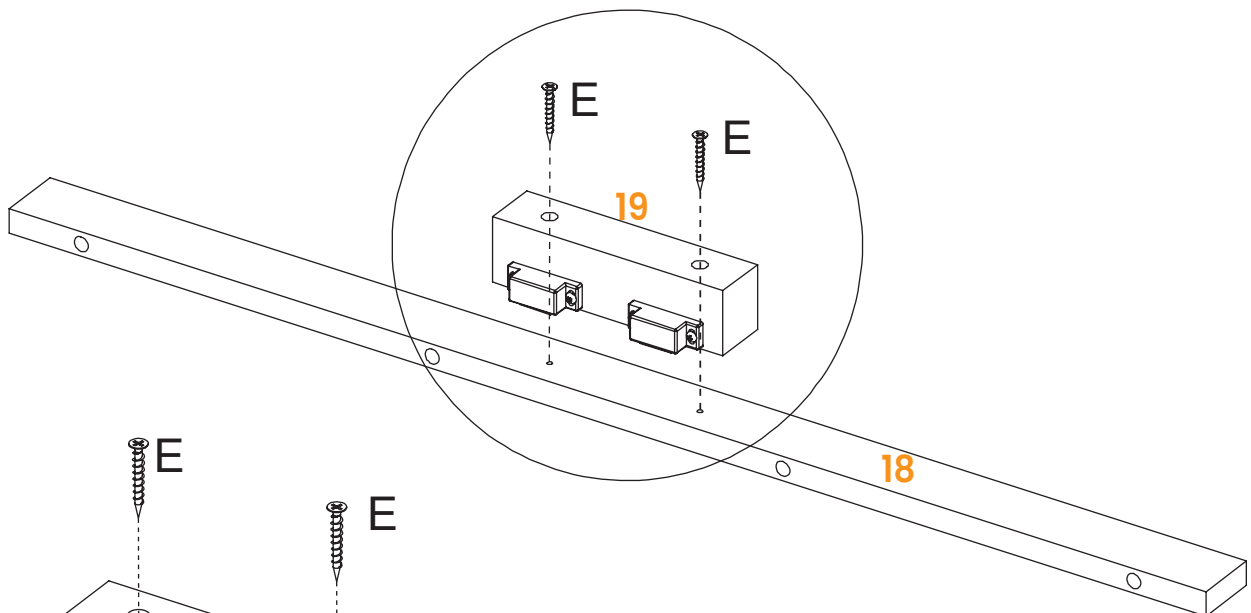
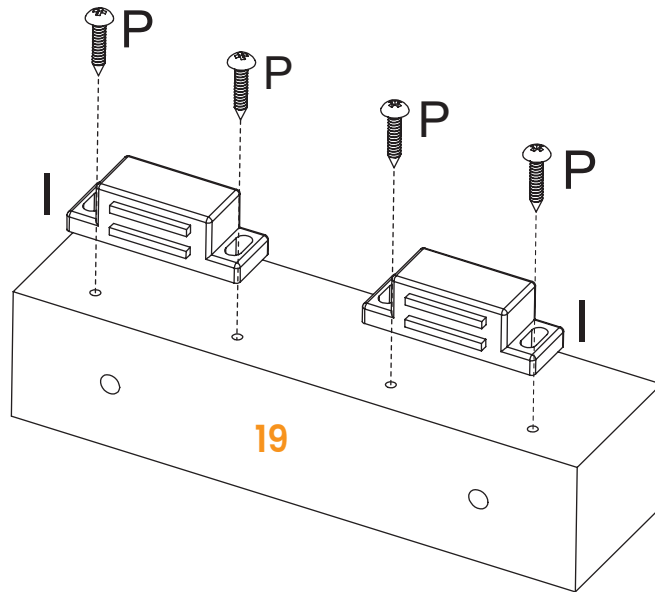
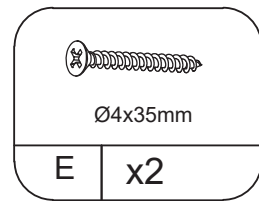
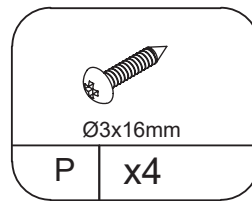
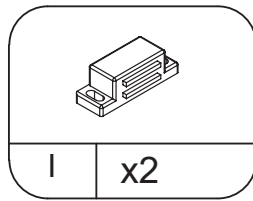
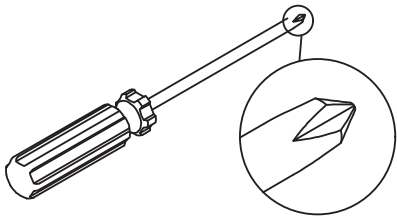
STEP 22 Please tighten the screws after completing all installation.

Por favor, apriete los tornillos después de instalar todo.



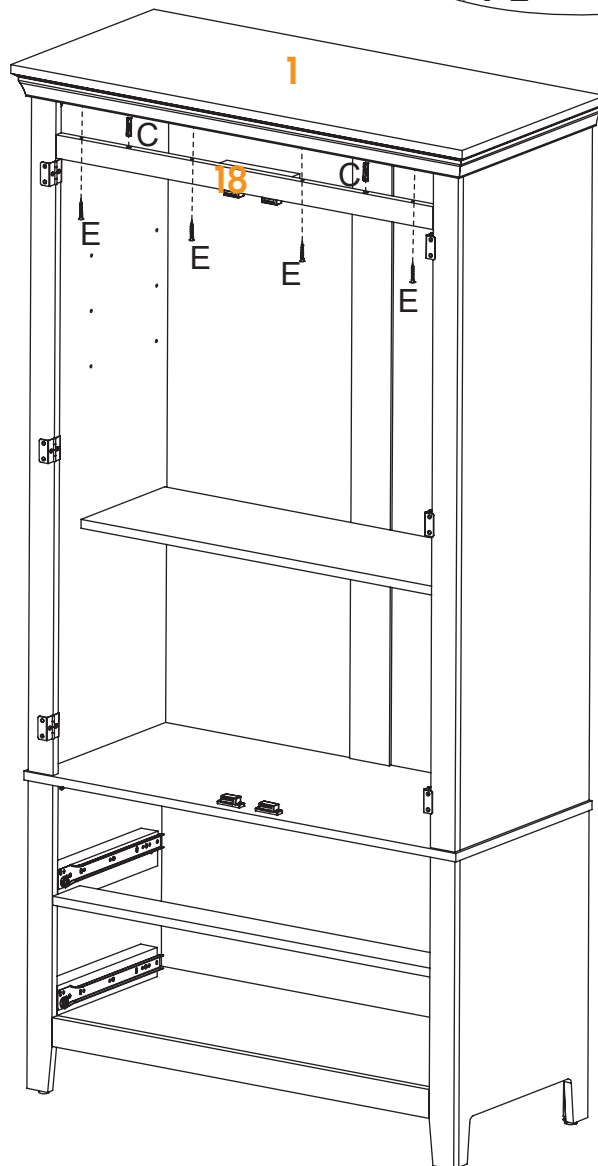
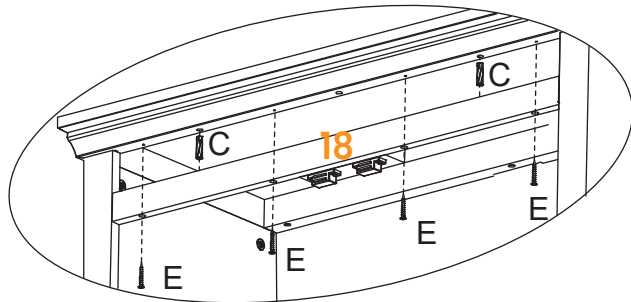
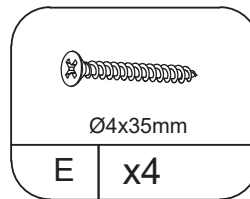
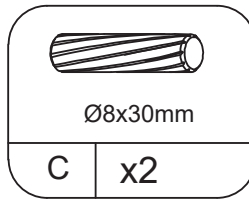
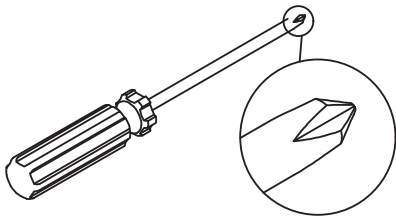
STEP 23 Please tighten the screws after completing all installation.

Por favor, apriete los tornillos después de instalar todo.



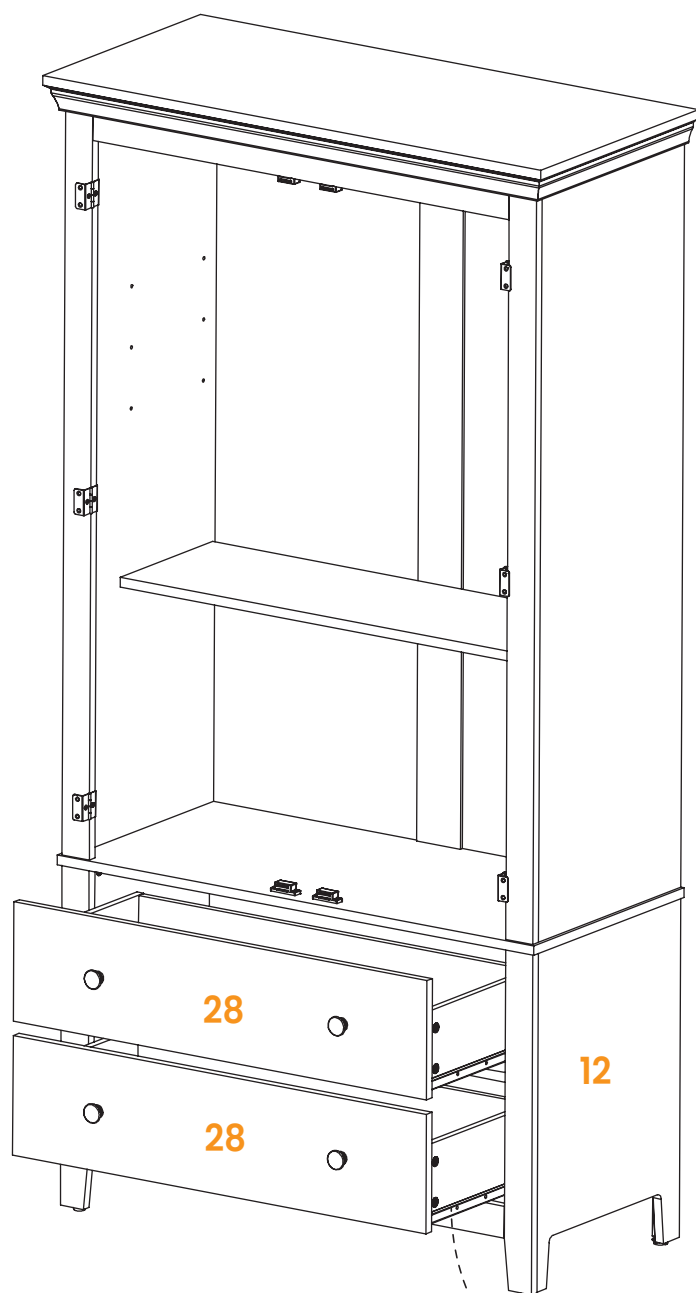
STEP 24 Please tighten the screws after completing all installation.

Por favor, apriete los tornillos después de instalar todo.

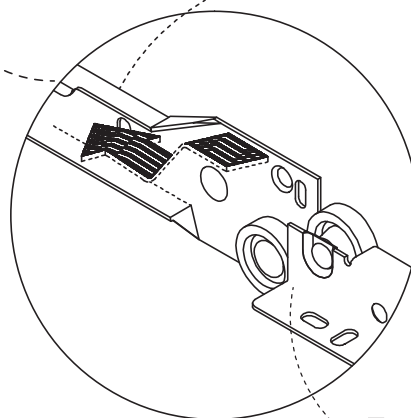


STEP 25 Please tighten the screws after completing all installation.

Por favor, apriete los tornillos después de instalar todo.



Cabinet Slide

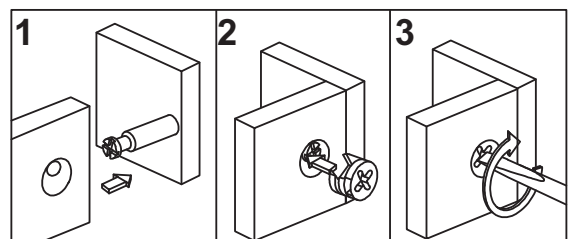
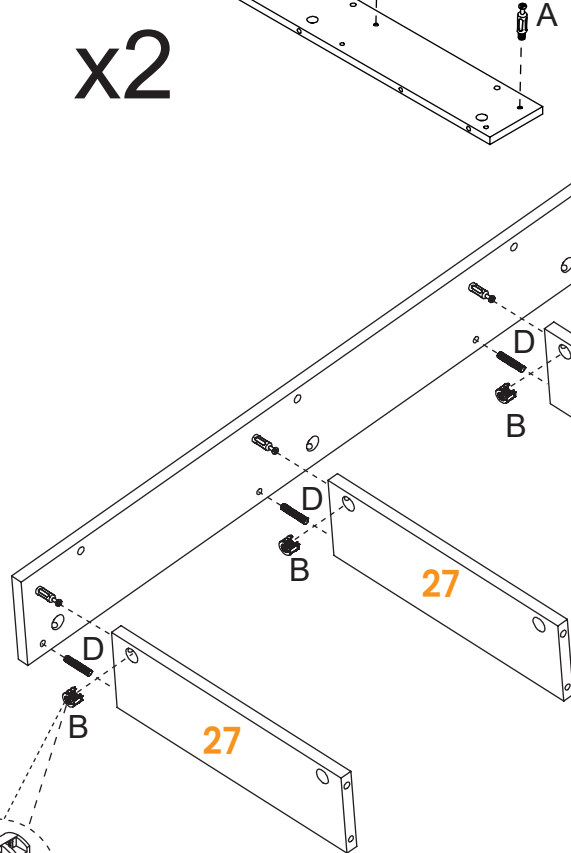
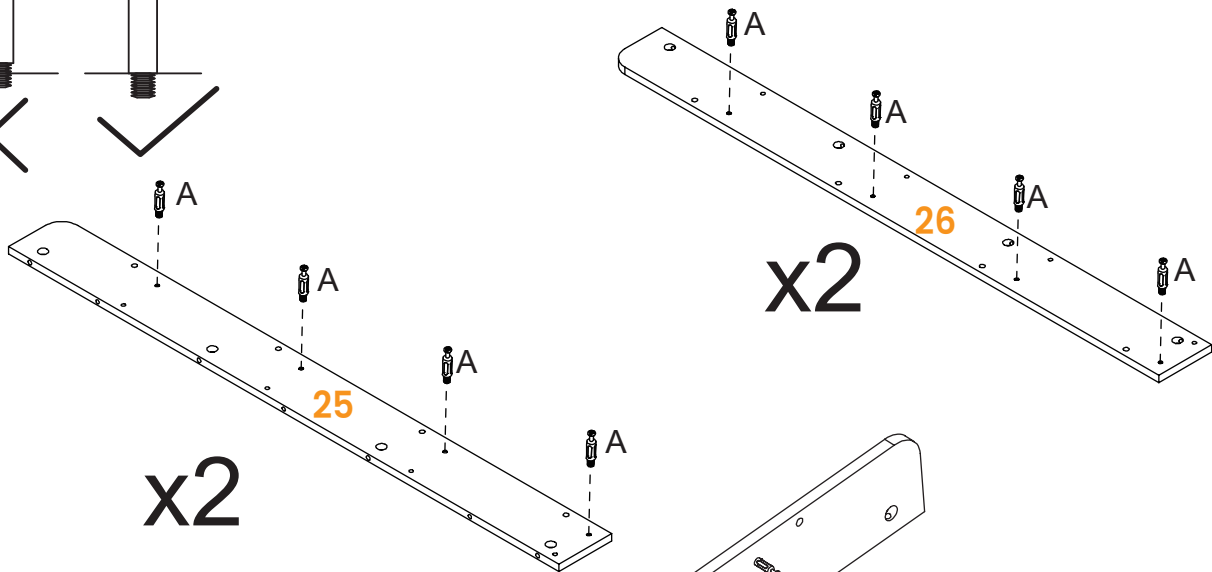
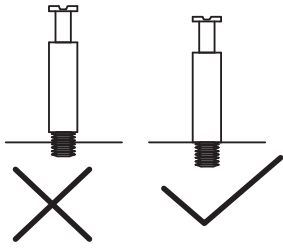
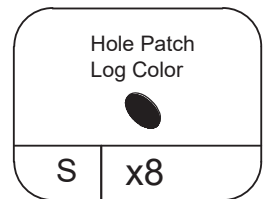
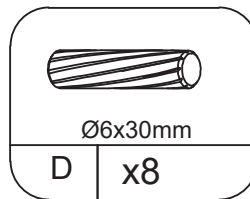
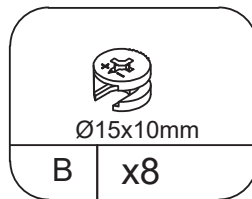
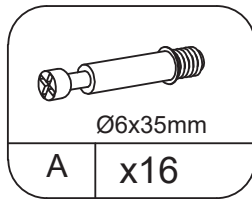
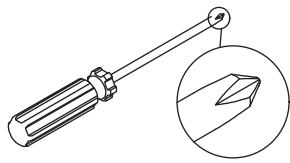


Drawer Slide

STEP 26

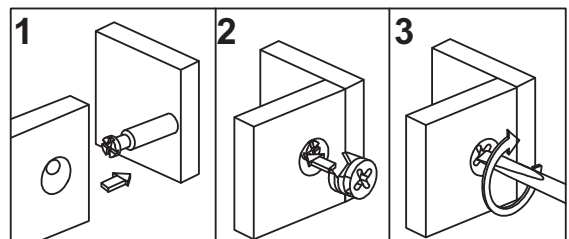
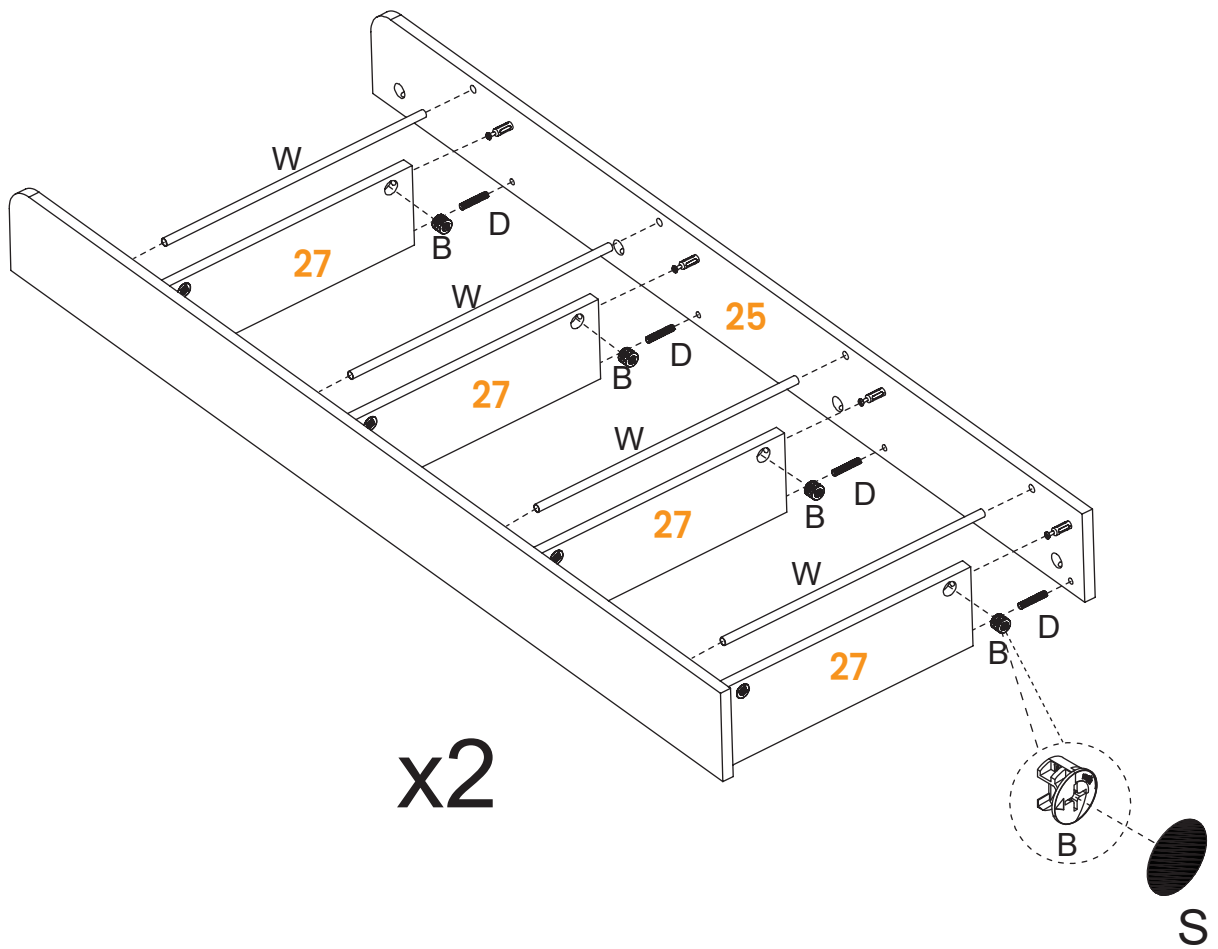
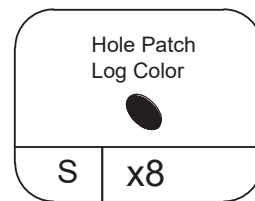
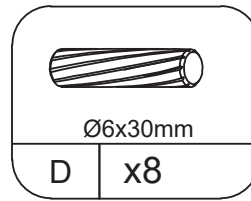
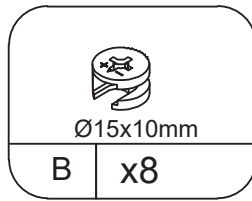
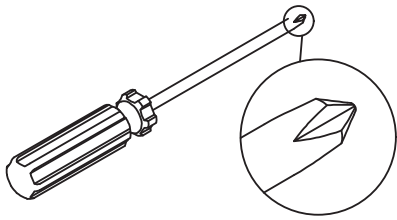
Please tighten the screws after completing all installation.

Por favor, apriete los tornillos después de instalar todo.



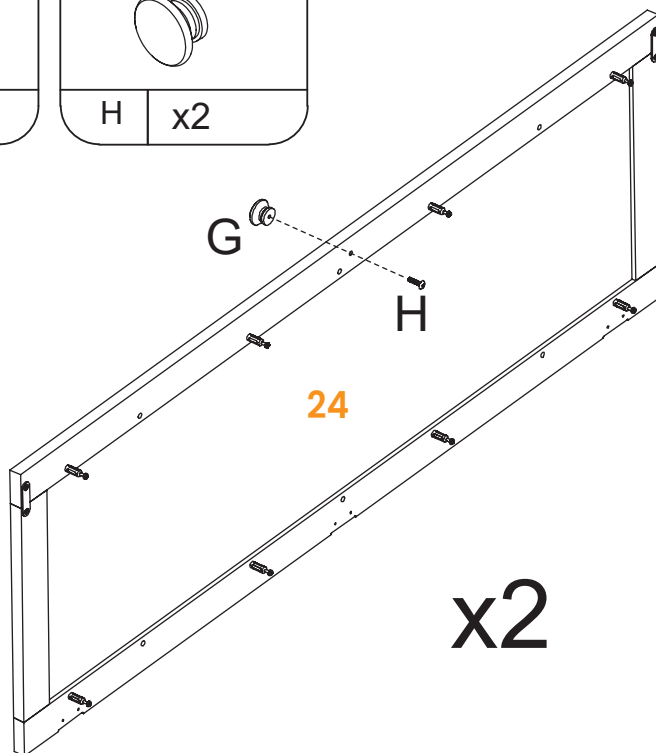
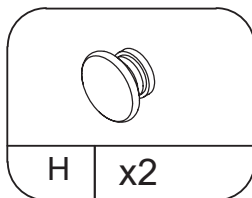
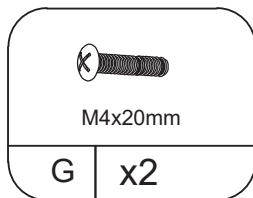
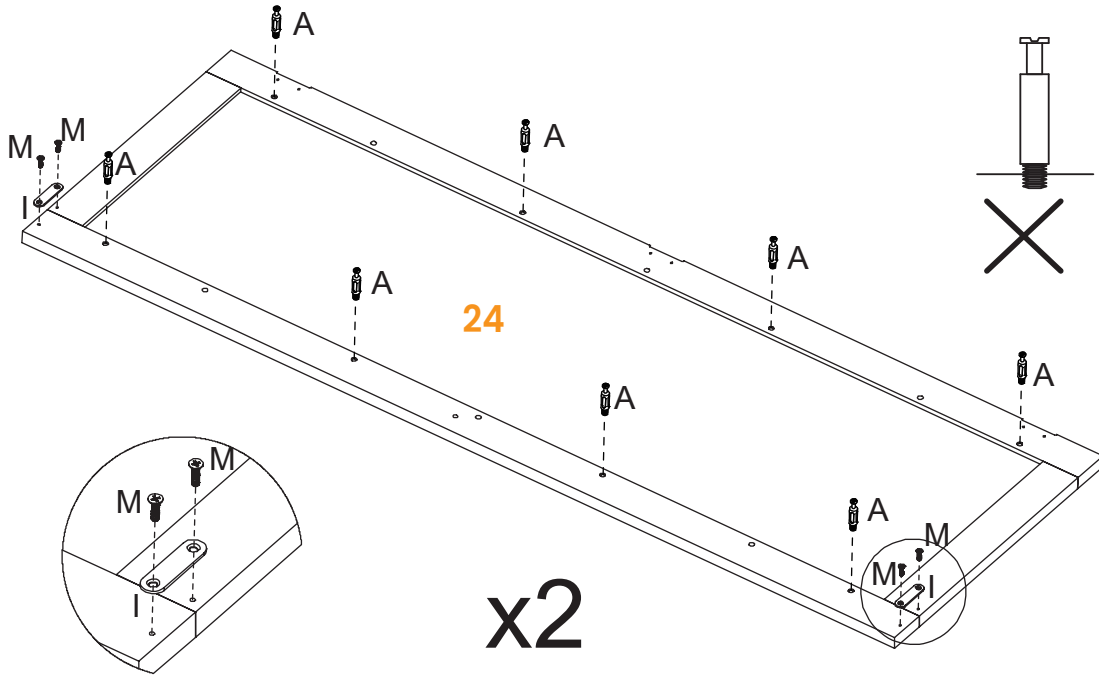
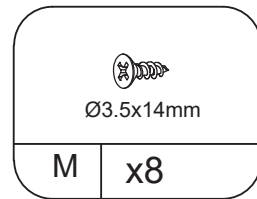
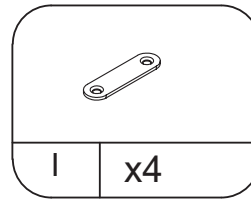
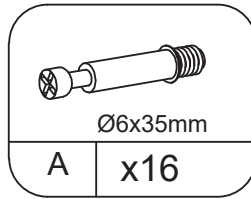
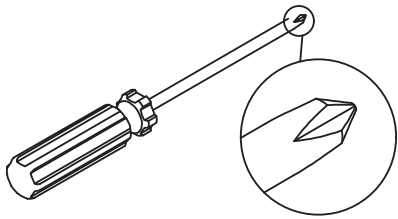
STEP 27 Please tighten the screws after completing all installation.

Por favor, apriete los tornillos después de instalar todo.



STEP 28 Please tighten the screws after completing all installation.

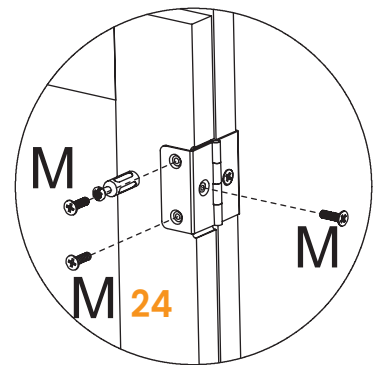
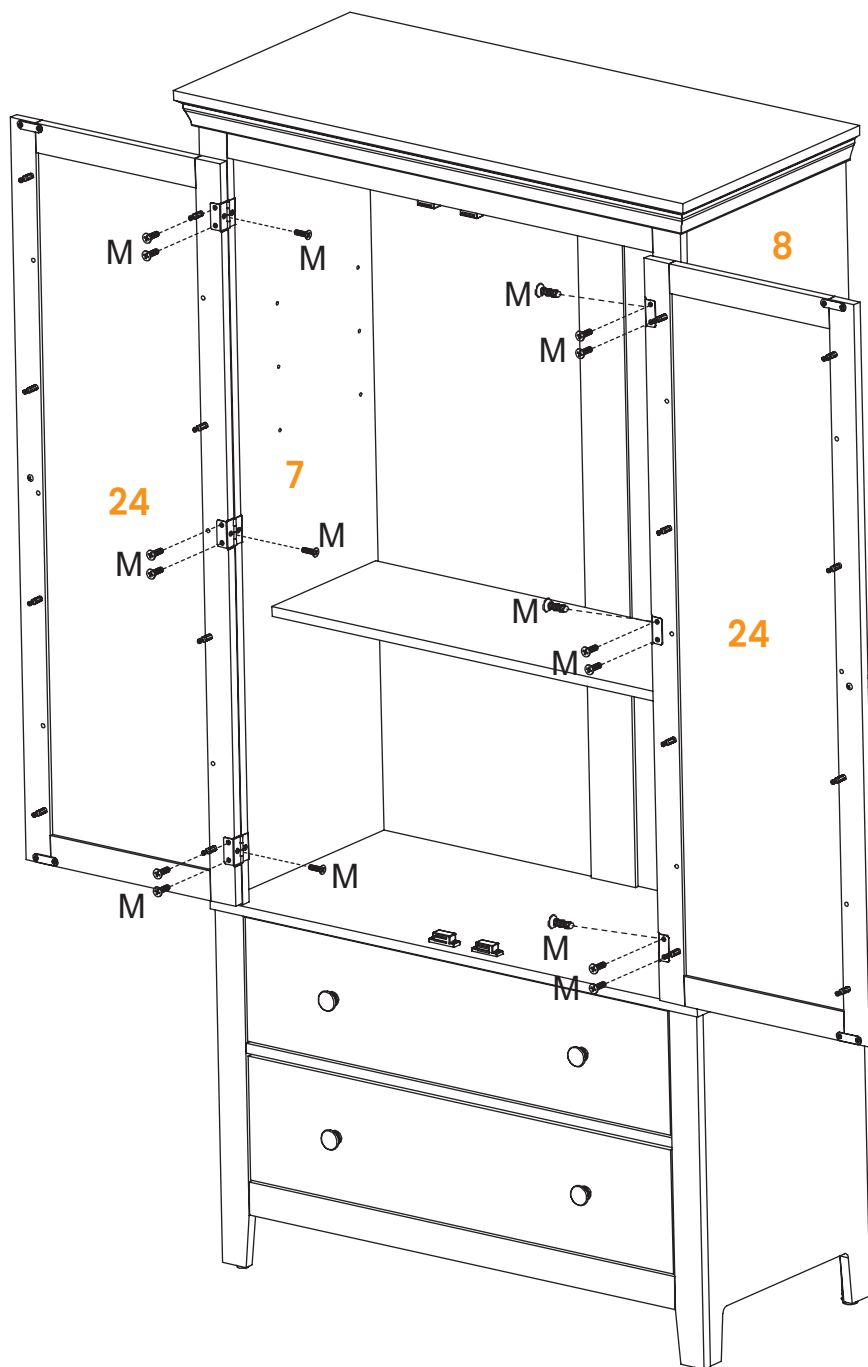
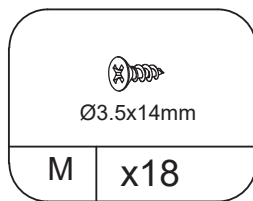
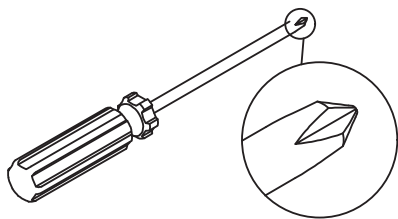
Por favor, apriete los tornillos después de instalar todo.



STEP 29

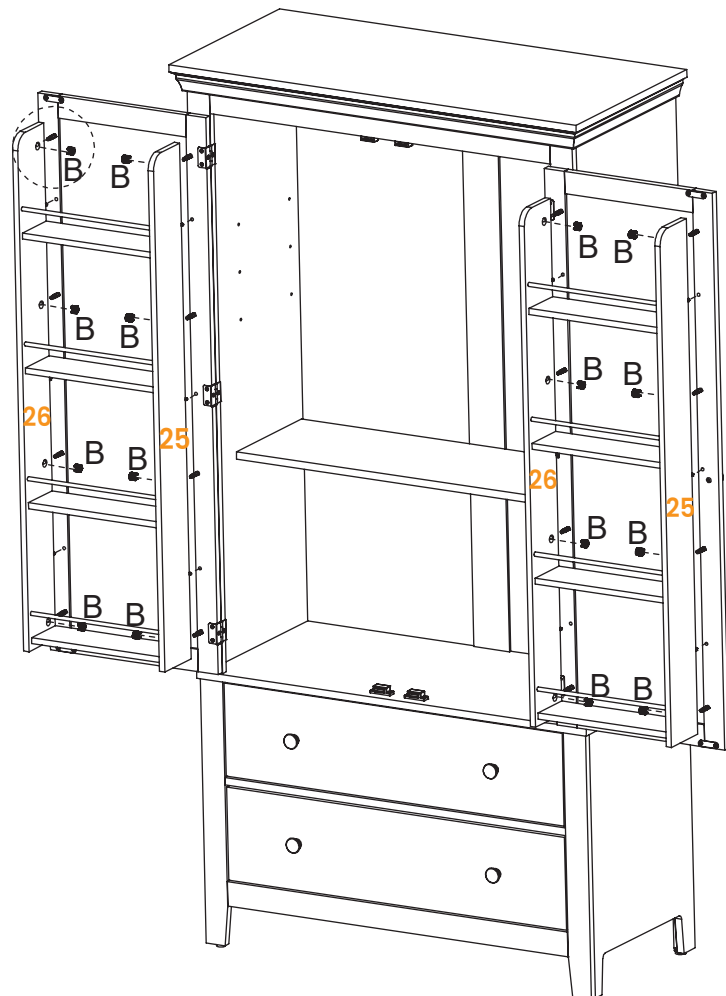
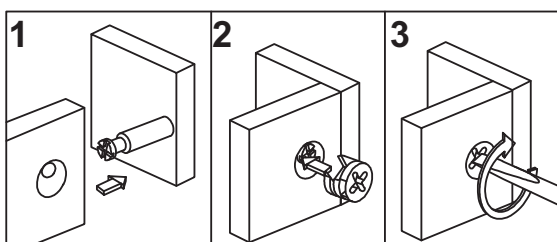
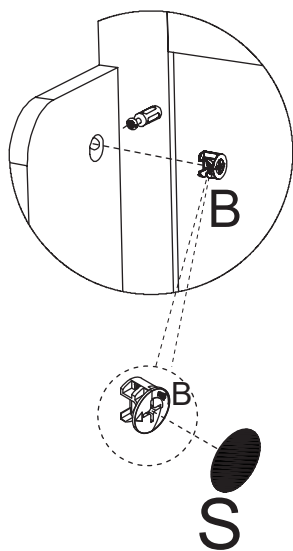
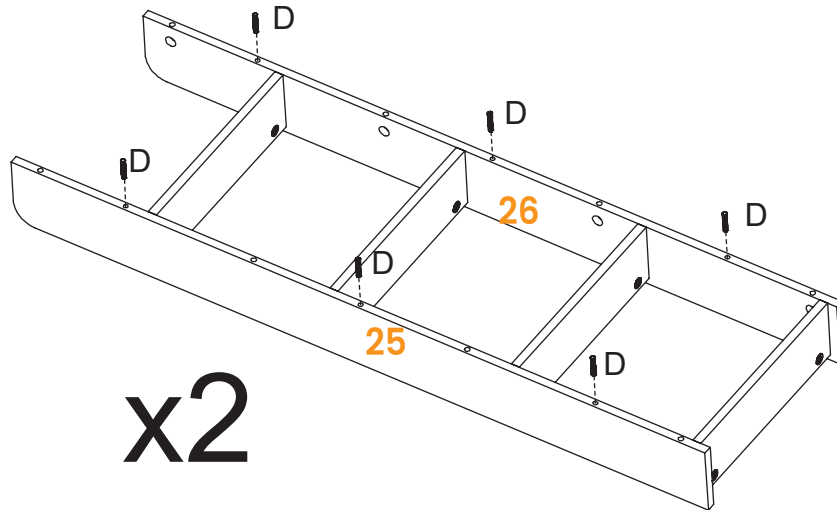
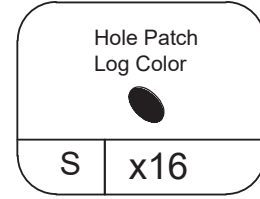
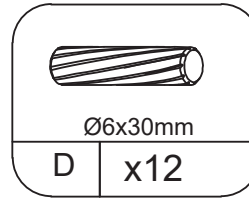
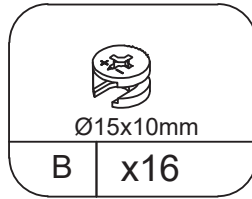
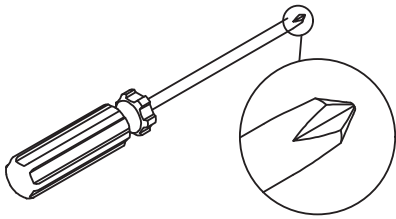
Please tighten the screws after completing all installation.

Por favor, apriete los tornillos después de instalar todo.



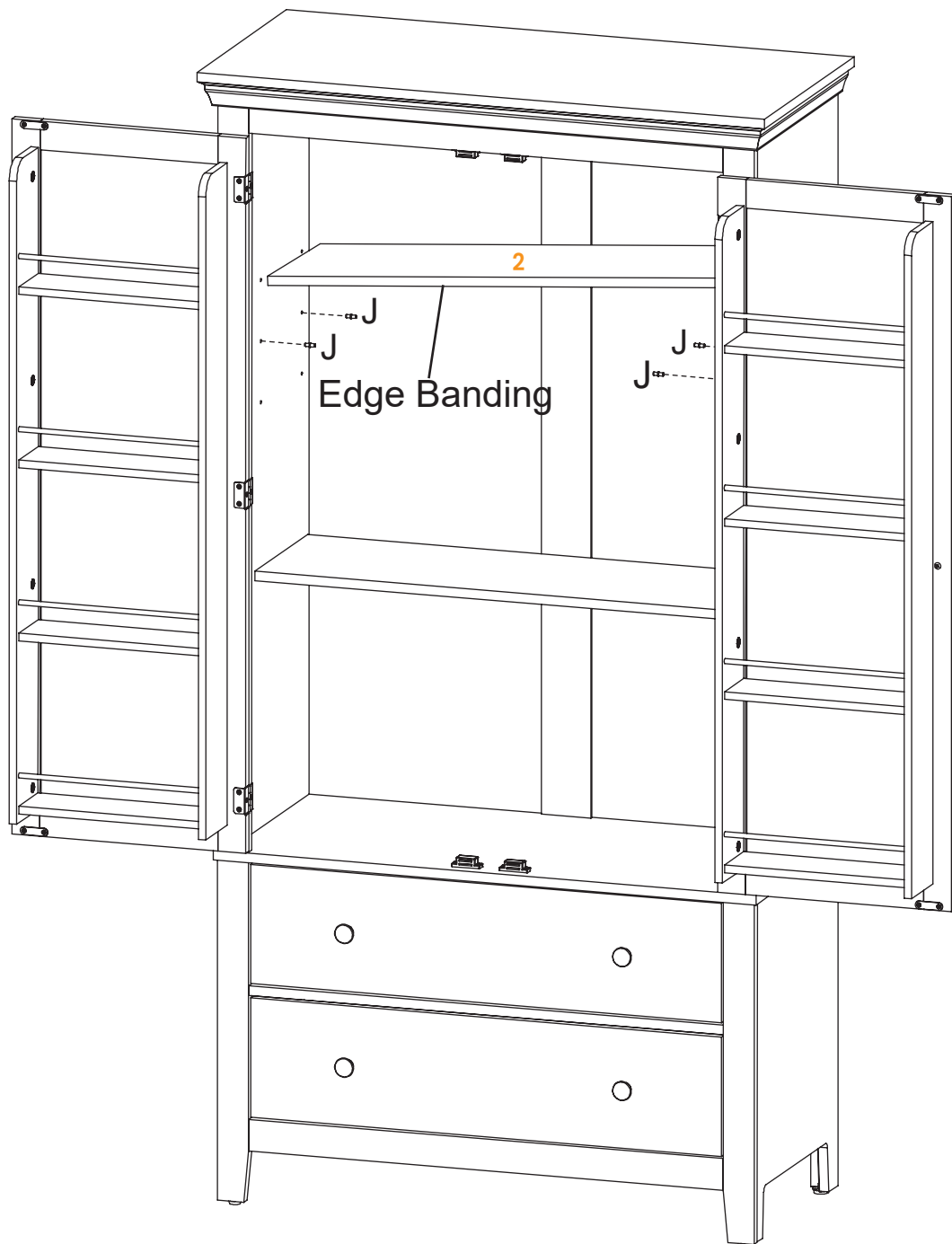
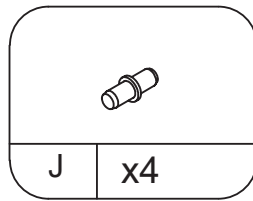
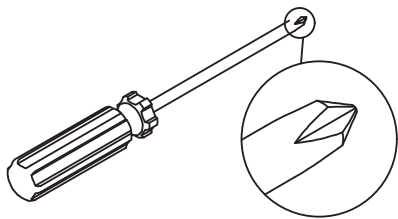
STEP 30 Please tighten the screws after completing all installation.

Por favor, apriete los tornillos después de instalar todo.



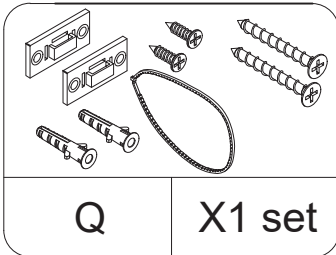
STEP 31 Please tighten the screws after completing all installation.

Por favor, apriete los tornillos después de instalar todo.



STEP 32 Please tighten the screws after completing all installation.

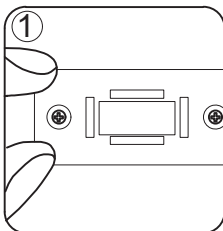
Por favor, apriete los tornillos después de instalar todo.



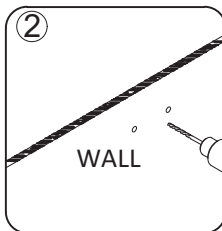
We have included a set of tipping restraint hardware for this unit. You must install this hardware to prevent accidents or injuries that can result from the unit falling. When properly installed, this restraint can provide protection against the unexpected tipping of the unit due to small tremors, bumps or climbing. We strongly recommend mounting this hardware to a wall stud and your unit.

NOTE : The tipping restraint hardware included is for wooden stud wall construction. It must be attached to a wall stud. Depending upon your wall construction different anchor hardware maybe required. Please contact your local hardware store for assistance. Young children can be seriously injured by tipping furniture. You must install the tipping restraint hardware with the unit to prevent the unit from tipping, causing any accidents or damage. The tipping restraints are intended only as a deterrent and are not a substitute for proper adult supervision. The tipping restraints are not earthquake restraints. If you wish to add the extra security of earthquake restraints, they must be purchased and installed separately.

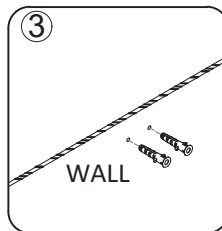
Install The Anti-tipping Device



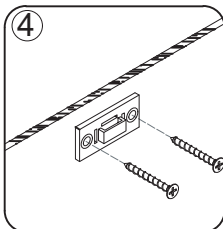
1 Make a mark on the wall.



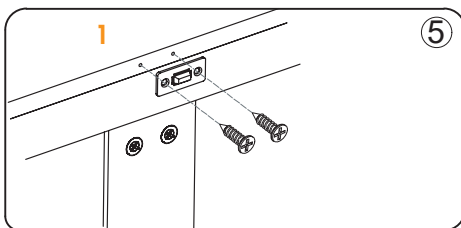
2 Drill two $\varnothing 6$ holes in the wall.



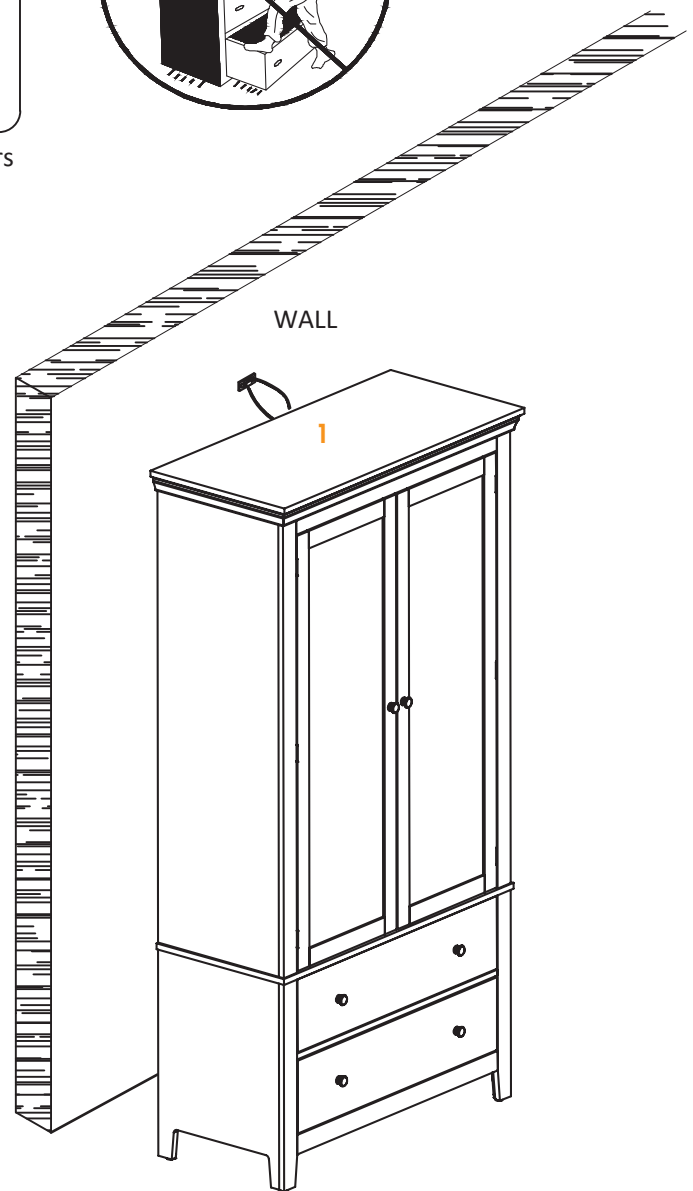
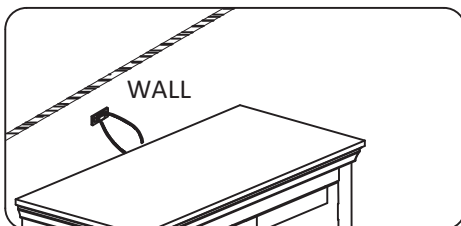
3 Insert two anchors into the holes.



4 Fix the device on the wall using the long screws.



5 Fix the device on the back of cabinet using the short screws.



Prevent Moisture Damage:

Safeguard your laminate furniture by keeping it in a dry environment. Store the furniture away from damp areas and water sources.

Sunlight Shielding:

Shield your laminate furniture from direct sunlight to prevent color fading and surface deterioration. Consider using curtains or blinds for protection, especially if direct sunlight exposure is unavoidable.

Regular Care:

Maintain your laminate furniture's appearance by gently wiping surfaces with a damp cloth. Avoid using overly wet cloths or abrasive cleaning tools.

Avoid Scratches:

Protect the furniture surface from scratches by refraining from placing sharp or hard objects on it. When moving the furniture, be cautious not to scrape the legs against the floor.

Proper Weight Distribution:

Prevent structural damage by placing heavy objects on stable support surfaces rather than directly on the laminate furniture's surface. This simple step can prolong the life of your furniture.



MANTENIMIENTO Y CUIDADO

Evite daños por humedad:

Proteja sus muebles laminados manteniéndolos en un ambiente seco. Guarde los muebles lejos de zonas húmedas y fuentes de agua.

Protéjalos de la luz solar:

Proteja sus muebles laminados de la luz solar directa para evitar la pérdida de color y el deterioro de la superficie. Considere el uso de cortinas o persianas como protección, especialmente si la exposición directa a la luz solar es inevitable.

Cuidado regular:

Mantenga el aspecto de sus muebles laminados limpiando suavemente las superficies con un paño húmedo. Evite utilizar paños demasiado húmedos o herramientas de limpieza abrasivas.

Evite los arañazos:

Proteja la superficie del mueble de arañazos evitando colocar objetos afilados o duros sobre ella. Al mover el mueble, tenga cuidado de no raspar las patas contra el suelo.

Distribución adecuada del peso:

Evite daños estructurales colocando objetos pesados sobre superficies de apoyo estables en lugar de directamente sobre la superficie del mueble laminado. Este sencillo paso puede prolongar la vida de sus muebles.

WARRANTY INFORMATION

Warranty Coverage: Our warranty provides protection against manufacturing defects in materials and workmanship for a specified period from the date of purchase, as outlined in the accompanying warranty documentation.

Exclusions: The warranty does not cover damages resulting from misuse, negligence, accidents, normal wear and tear, unauthorized repairs or modifications, improper assembly, or failure to adhere to the care and maintenance guidelines provided.

WARRANTY CLAIM PROCESS

To initiate a return, please follow these steps:

1. Log into your account and go to the "Your Orders" section.
2. Locate the order containing the item you wish to return.
3. Contact our customer service for assistance in obtaining a prepaid return label.
4. Once you receive the return label, securely affix it to the package.
5. You can then choose to drop off the package at a designated carrier location or arrange for a pickup.
6. After we receive and inspect the returned product, we will initiate the refund process.
7. The refund will be credited back to the original payment method used during the purchase.
8. Typically, refunds are processed within 3-5 business days.

Cobertura de la garantía: Nuestra garantía proporciona protección contra defectos de fabricación en materiales y mano de obra durante un período determinado a partir de la fecha de compra, como se indica en la documentación de garantía adjunta.

Exclusiones: La garantía no cubre los daños resultantes de uso indebido, negligencia, accidentes, desgaste normal, reparaciones o modificaciones no autorizadas, montaje incorrecto o incumplimiento de las directrices de cuidado y mantenimiento proporcionadas.

PROCESO DE RECLAMACIÓN DE LA GARANTÍA

Para iniciar una devolución, siga estos pasos:

1. **Accede a tu cuenta y ve a la sección "Tus pedidos".**
2. **Localiza el pedido que contiene el artículo que deseas devolver.**
3. **Ponte en contacto con nuestro servicio de atención al cliente para que te ayuden a obtener una etiqueta de devolución prepagada.**
4. **Después de que recibamos e inspeccionemos el producto devuelto, iniciaremos el proceso de reembolso.**
5. **El reembolso se abonará de nuevo al método de pago original utilizado durante la compra.**
6. **Normalmente, los reembolsos se procesan en un plazo de 3 a 5 días laborables.**
7. **Una vez que reciba la etiqueta de devolución, fíjela firmemente al paquete.**
8. **A continuación, puede optar por depositar el paquete en el lugar designado por el transportista o solicitar que lo recojan.**