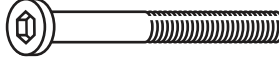







Examine all packaging material for small parts that may have come loose during shipment. Periodic checks are recommended to insure that all components are in proper position, tight and free from damage. Keep this assembly instruction for future reference. Adult assembly is required.

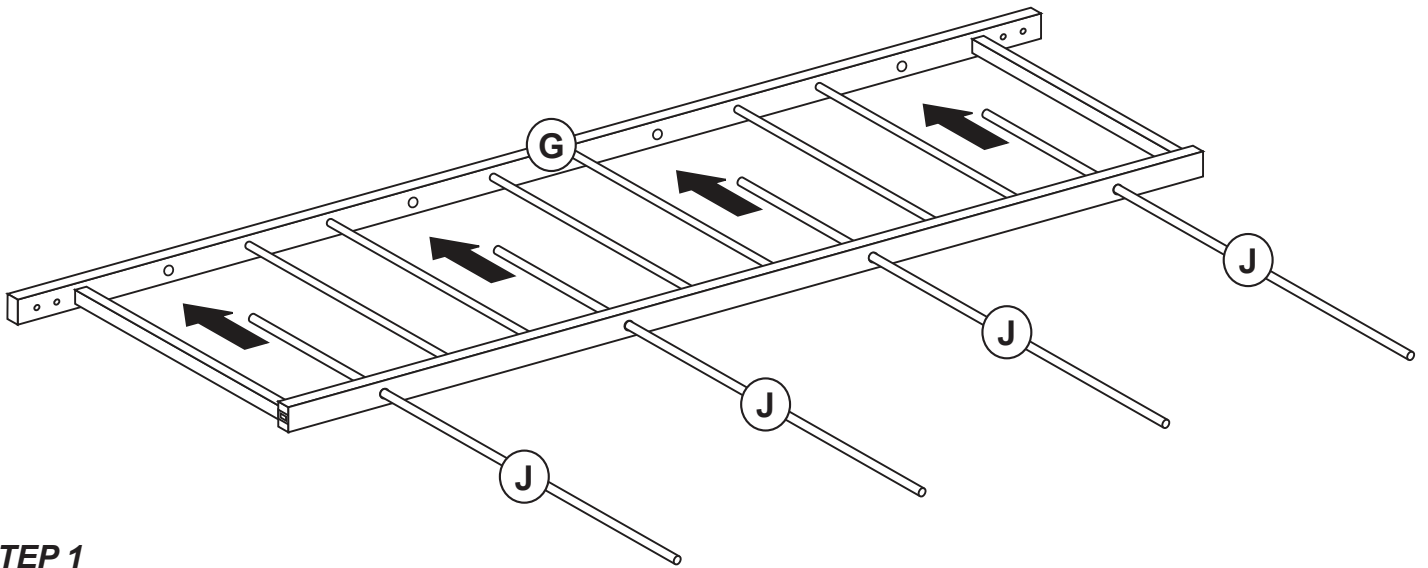
### HARDWARE LIST

- A (4) M6 x 56mm Allen Bolts
- B (8) M6 x 30mm Allen Bolts
- C (1) Allen Wrench
- D (12) Hex Nuts
- E (24) Flat Washers
- F (1) Hex Wrench

PART	QTY	HARDWARE	PART	QTY	HARDWARE
A	4		B	8	
C	1		D	12	
E	24		F	1	

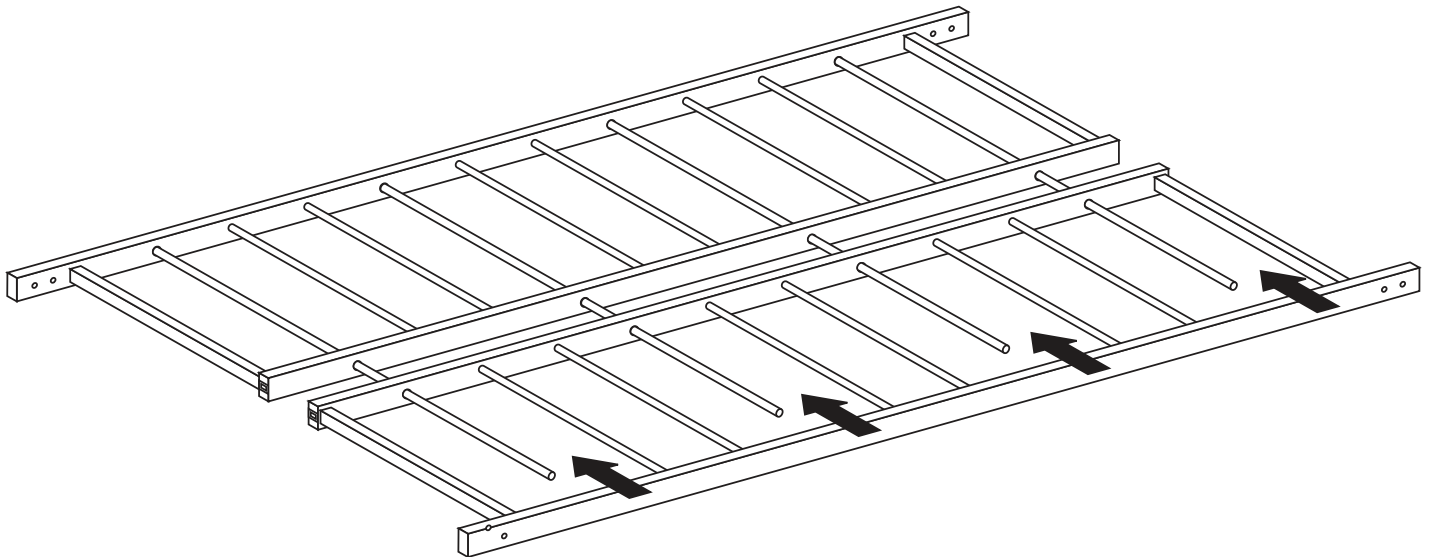
### PARTS LIST

- G (2) Bed Frames
- H (4) Connectors
- I (4) Frame Plates
- J (4) Support Poles

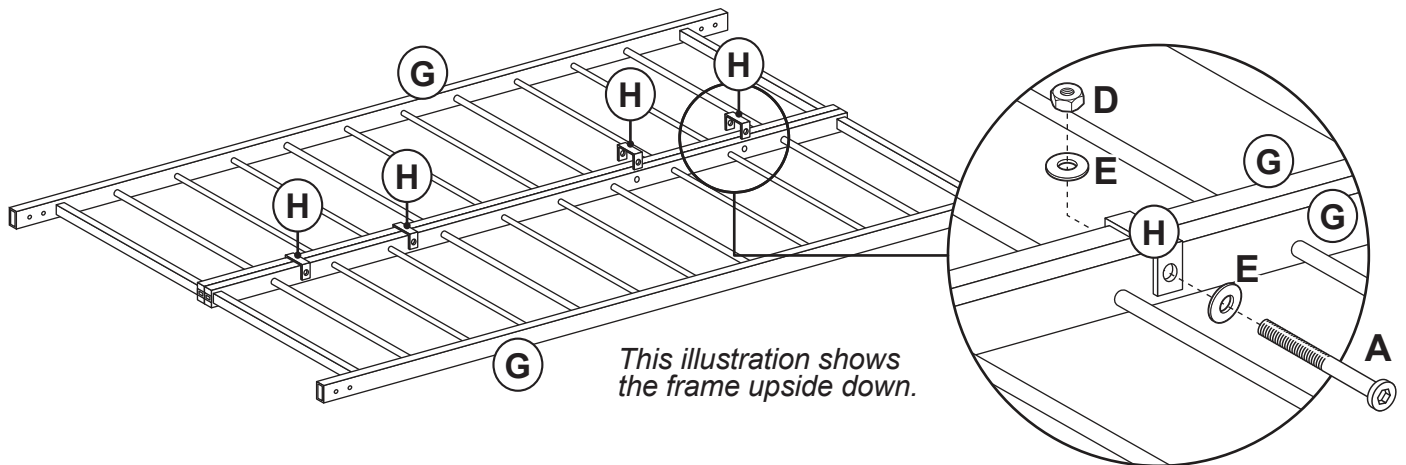


### STEP 1

Begin assembly by examining all pieces to ensure they have not been damaged during shipping. Insert each Support Pole (J) into ONE Bed Frame (G) by sliding in place and inserting the end into the open hole on the inside of the frame. Once in place carefully guide the REMAINING Bed Frame (G) in place by sliding each pole in place. See next page for more assembly instructions.



**CARE & MAINTENANCE:** The touch of a soft cloth is all the maintenance the finish will ever need. Please do not use harsh or abrasive cleaners for polishing, as they may cause damage to the finish. Periodic checks are recommended to make sure that all hardware is securely tightened.



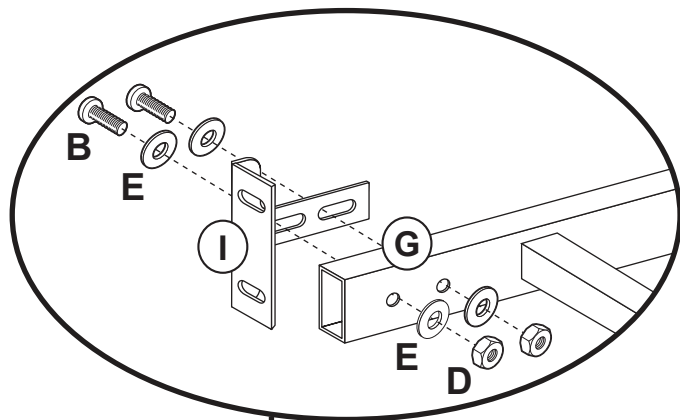
*This illustration shows the frame upside down.*

## STEP 2

Secure each Bed Frame (G) together using the 4 Connectors (H). Fit together and secure in place with 1 Allen Bolt (A), 1 Flat Washer (E), on the other side 1 Flat Washer (E) & 1 Hex Nut (D). Tighten all bolts and nuts using the Allen and Hex Wrenches (C & F) that have been provided.

## STEP 3

Attach each Frame Plate (I) to the end of each Bed Frame (G) by aligning holes and securing with 2 Allen Bolts (B), 2 Flat Washers (E) from the inside and 2 Flat Washers (E) & 2 Hex Nuts (D) from the outside. Only hand tighten bolts and nuts.



## STEP 4

Attach the Mattress Frame to each post included with your bed purchase using the hardware included with the bed/daybed. Once each frame end has been secured in place, tighten all bolts and nuts from Step 3 using the hardware provided.

