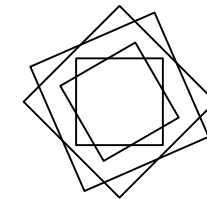
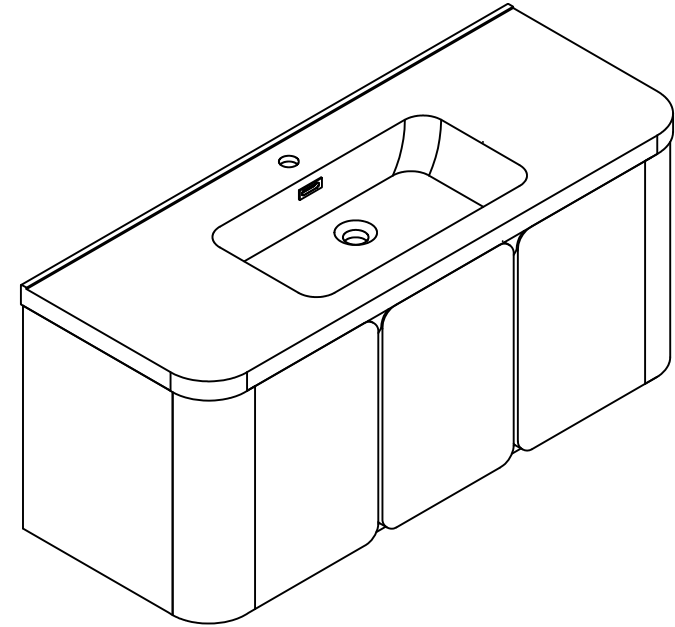


**Installation Manual-BV H12448**

**MOTIVATE  
YOUR LIFE !**



## THANKS FOR WATCHING












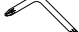
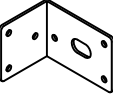
Your feedback is invaluable to us and we would love to hear about your experience. Please take the time to leave us a review.

## Thank you for shopping with us!

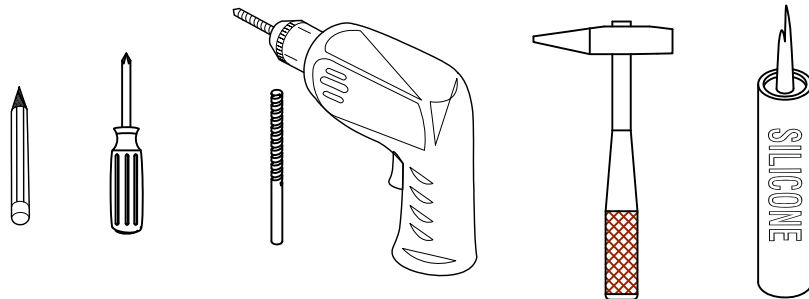
We encourage you to take a few minutes to go through this booklet. It contains important information on installation and care tips to keep your furniture looking as good as new.

# Item NO.:BV H12448

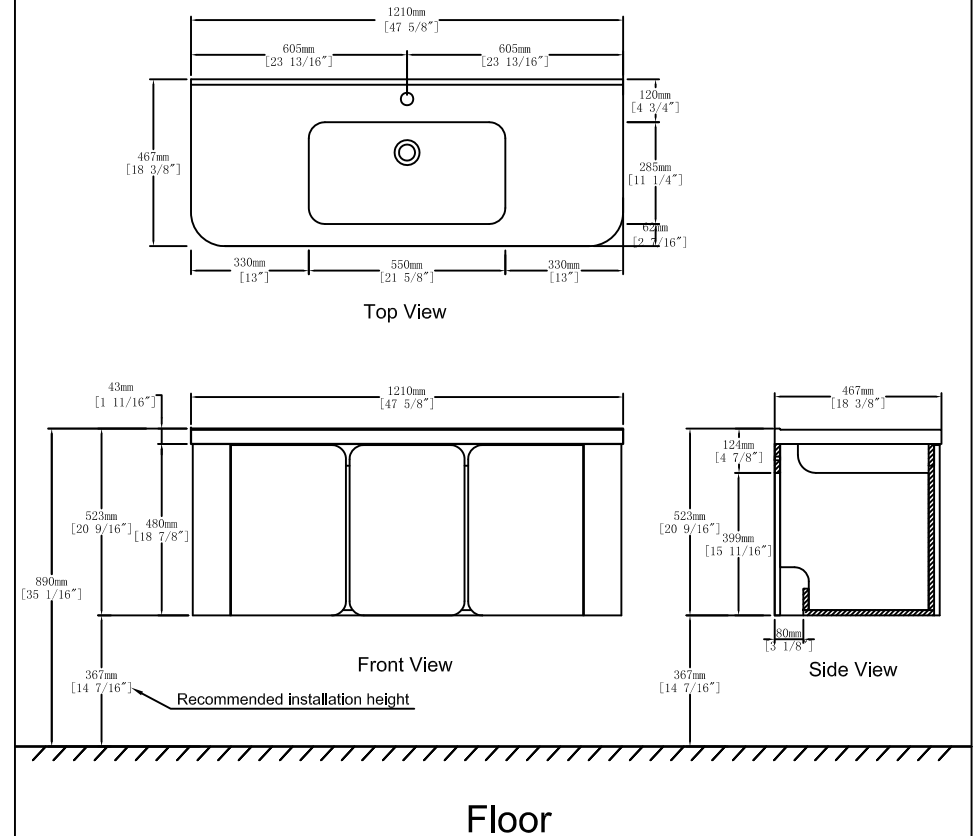
## Hardware

NO.	Draw	QTY	NO.	Draw	QTY
A	 Screws Ø4x14mm	68	H	 Bracket (19x19x35mm)	2
B	 Two-in-one connector	39	I	 Hinges(Internal hiding )	4
C	 Two-in-one connector	39	J	 Hinges ( Half cover )	2
D	 Wood plug	7	K	 Screws Ø4x25mm	7
E	 Plastic anchor(Ø10mm)	4	L	 Anti-collision gasket	6
F	 Screws for fix on the wall	4	M	 Screwdriver	1
G	 Bracket (53x70x44mm)	4			

## Recommended tools



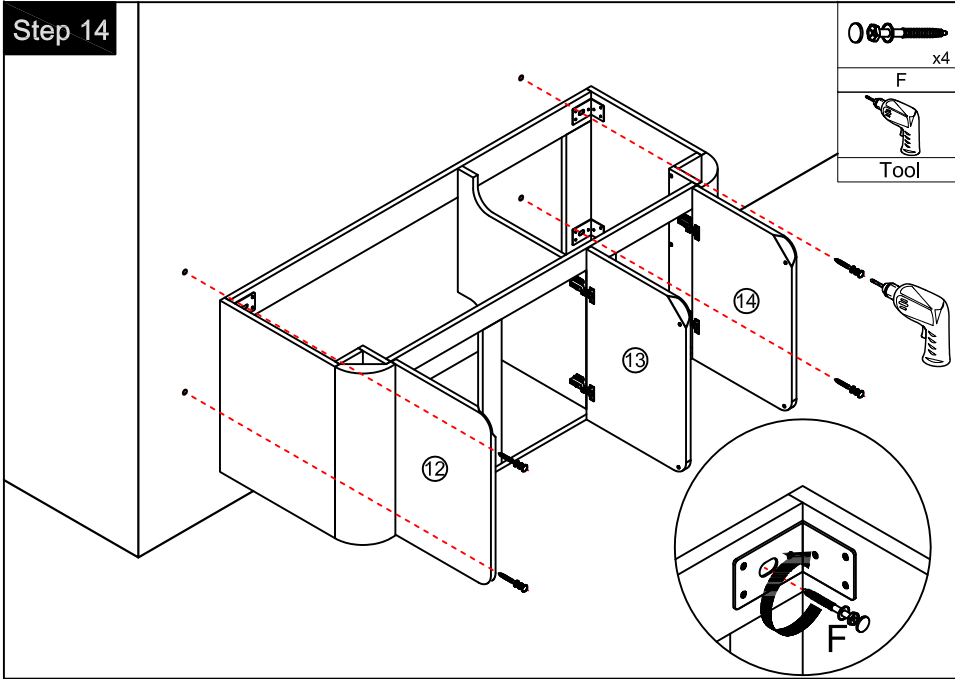
## Dimensions



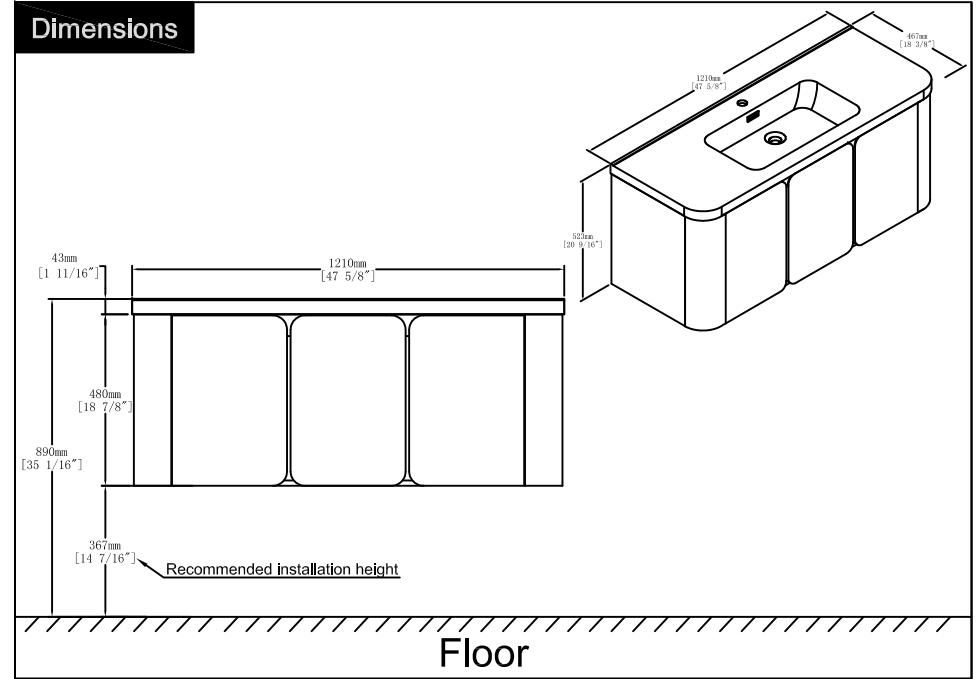
## CARE CLEANING AND MAINTENANCE

1. Dust regularly with a soft , dry cloth.
2. Avoid the use of all chemicals household cleaners, abrasives, or cleaners that contain lemon, vinegar, or other acids that may damage the finish.
3. Excessive exposure to sunlight and extreme changes in temperature and moisture can damage wood furniture.
4. The sink is fragile, please pay attention to maintaining its appearance.
5. Do not place hot appliances, such as curling irons and hot hair dryers directly on the countertop. Wipe spills immediately.

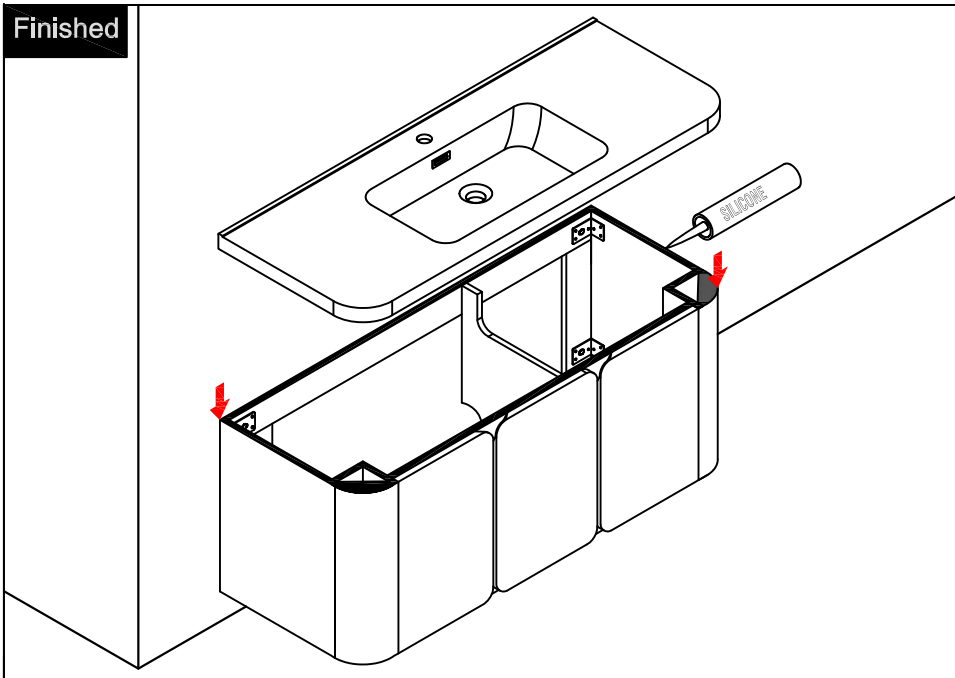
### Step 14



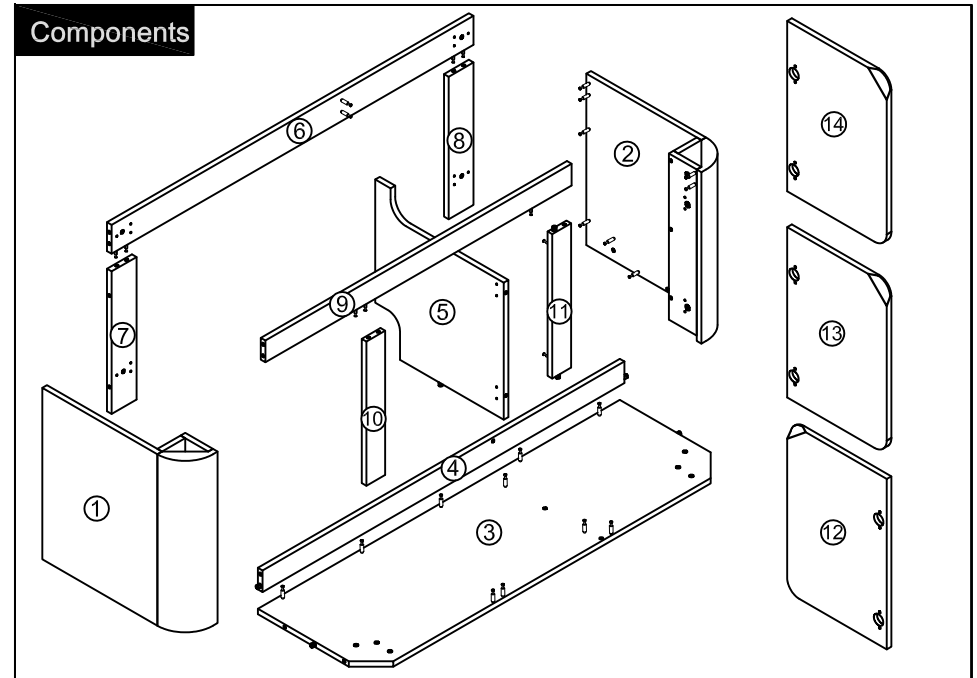
### Dimensions

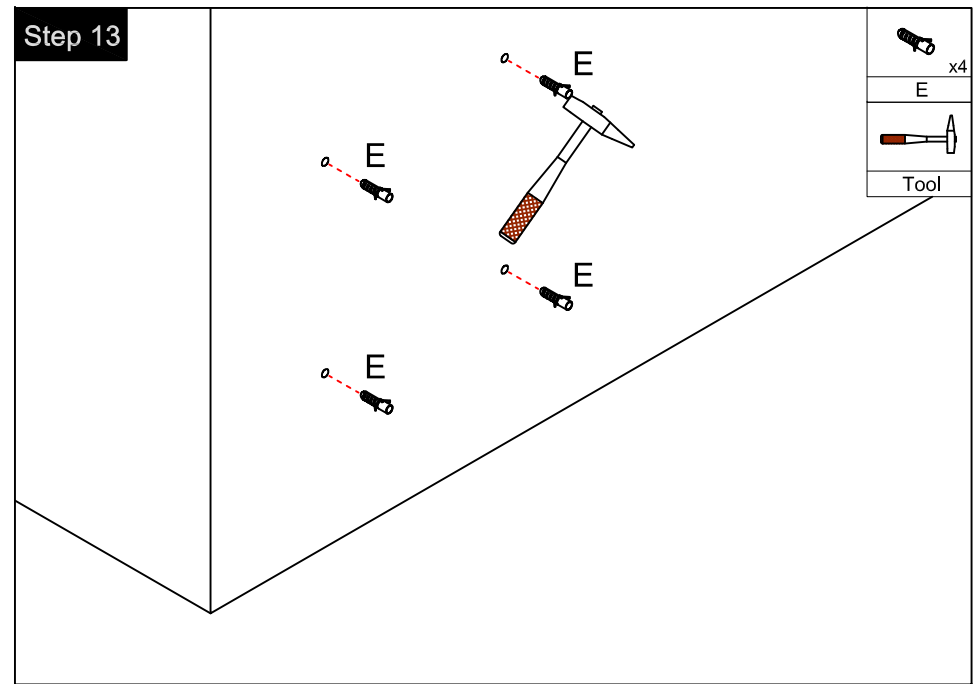
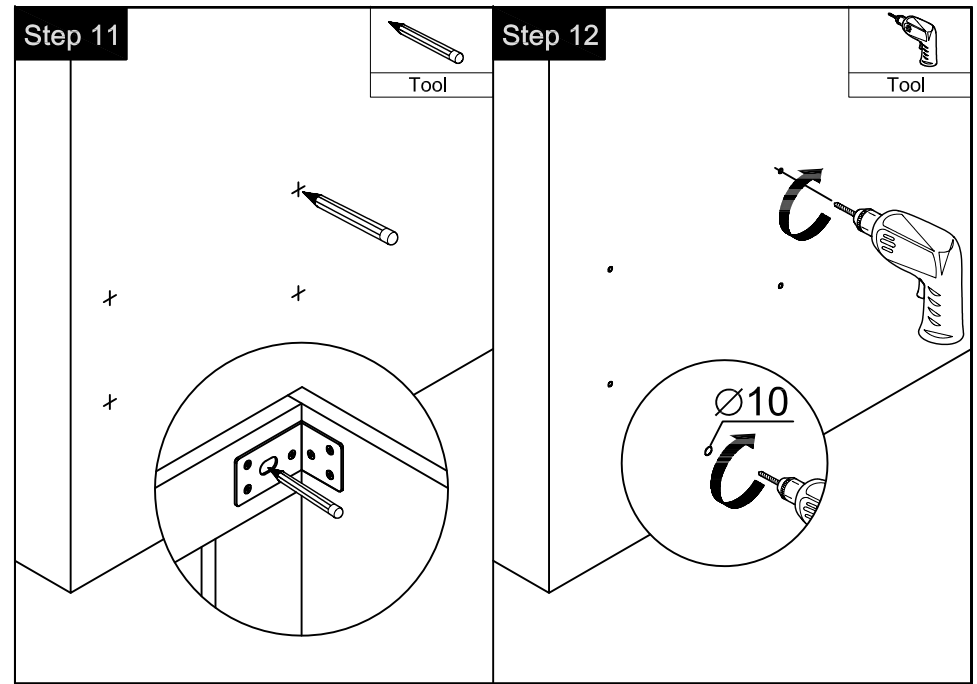
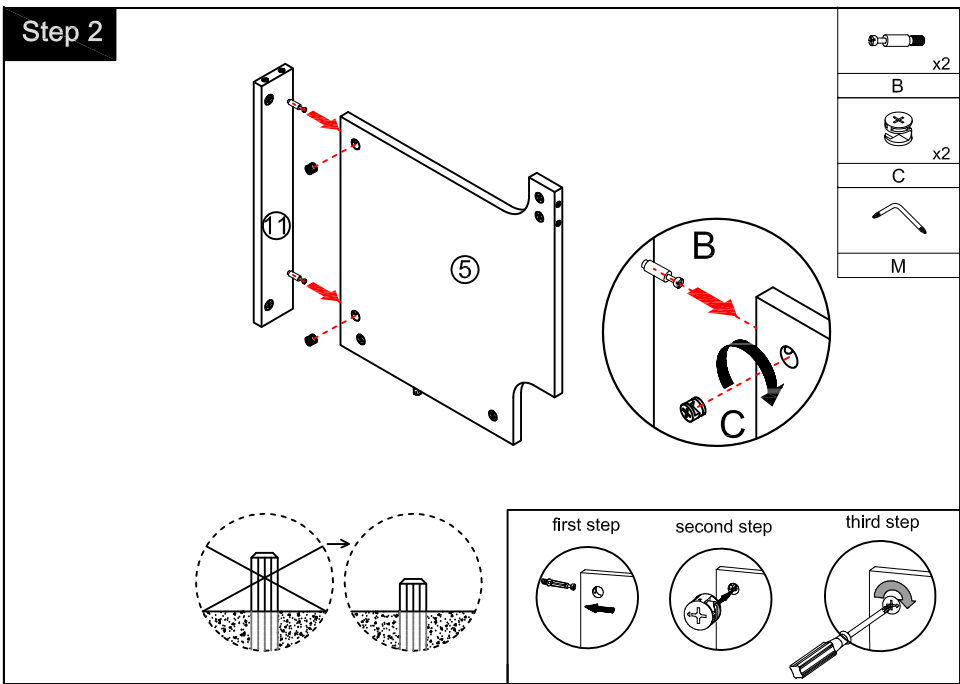
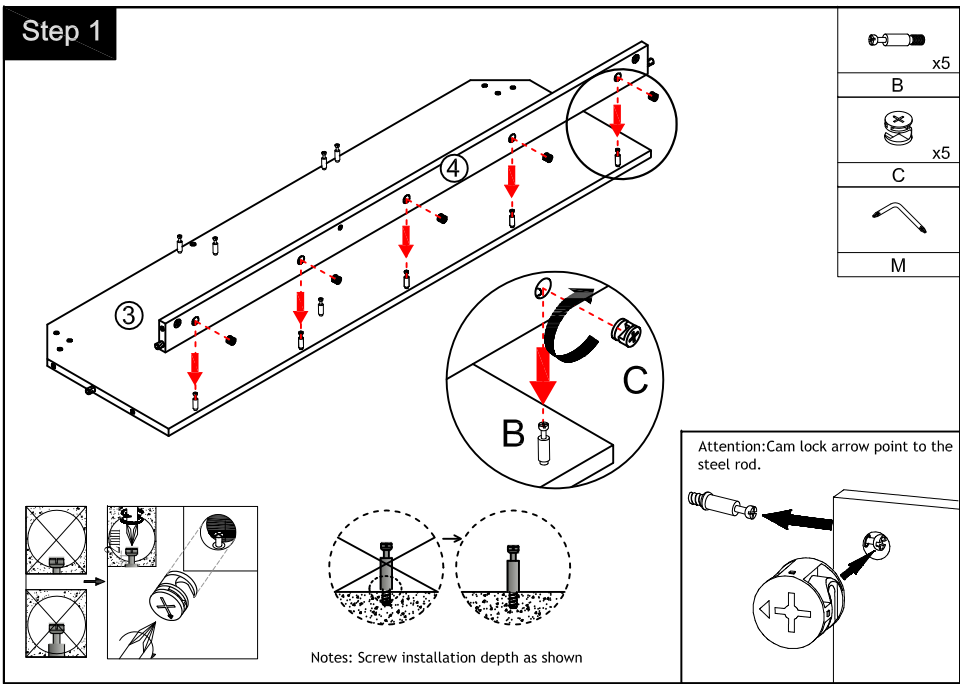


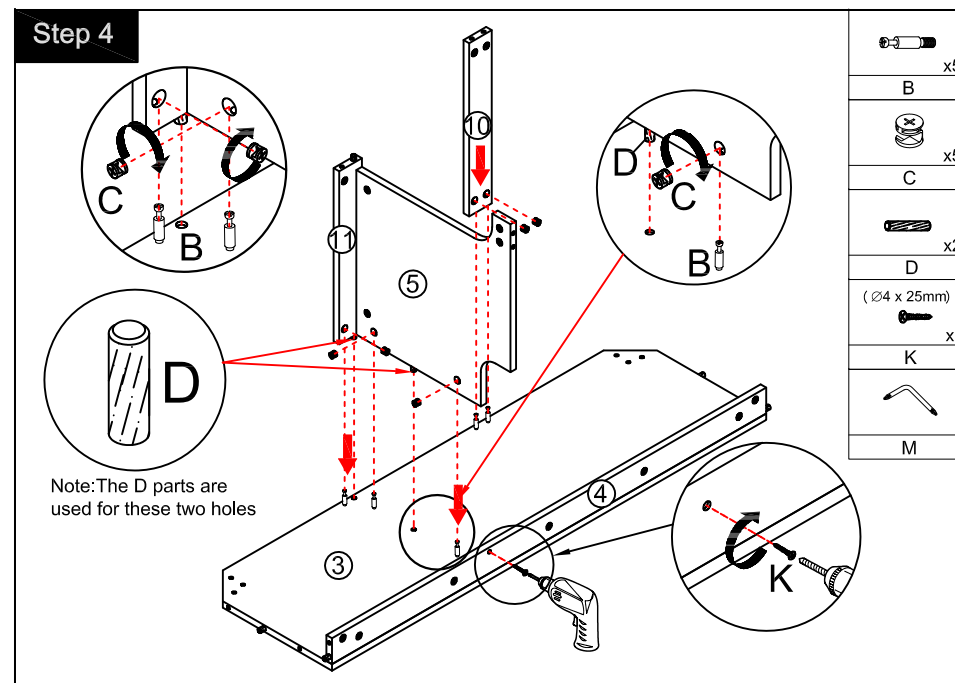
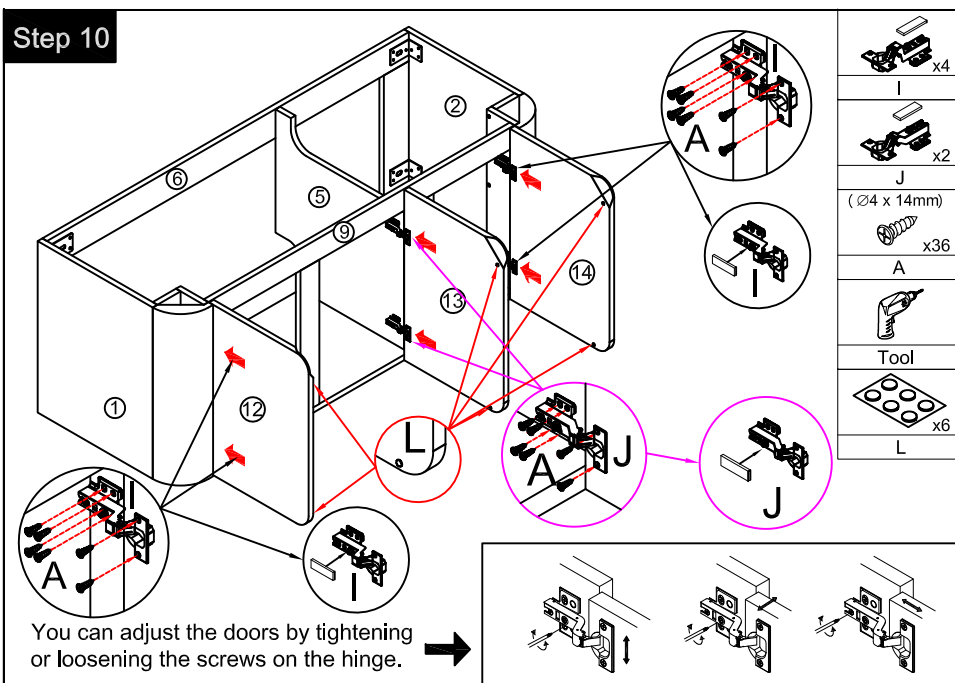
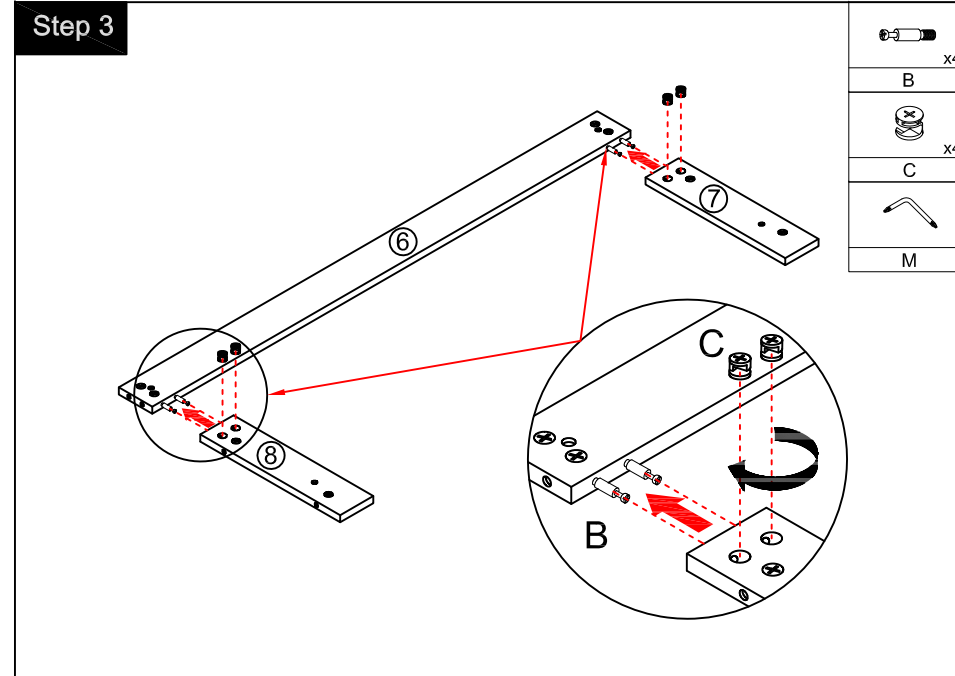
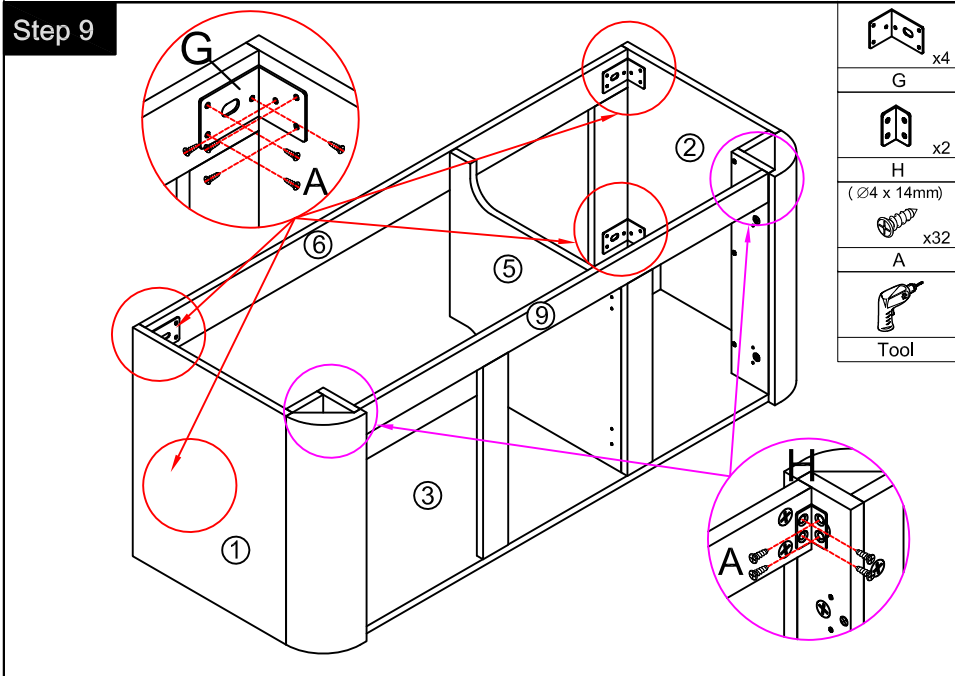
### Finished



### Components







### Step 5

Note: The D parts are used for this hole.

	x5
	x5
	x1

### Step 7

Note: The D parts are used for these two holes.

	x9
	x9
	x2

### Step 6

Note: The D parts are used for these two holes.

	x9
	x9
	x2

### Step 8

(∅4 x 25mm)

	x6
	Tool