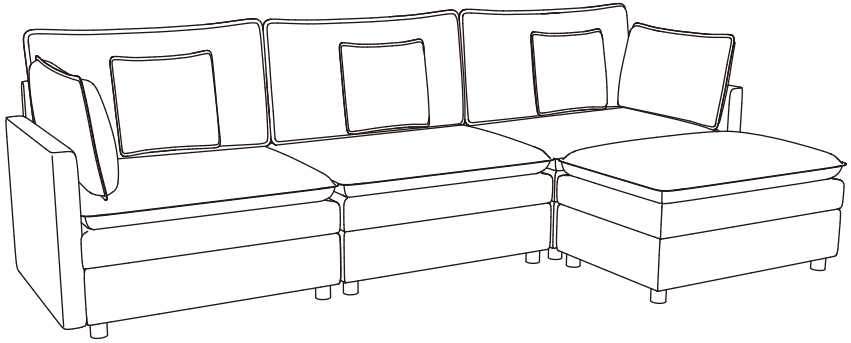
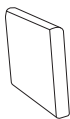


试制



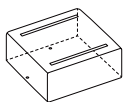
Accessory List

A



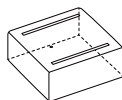
Armrest
X2

B1



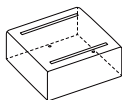
Left seat frame
X1

B2



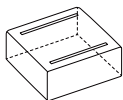
Middle seat frame
X1

B3



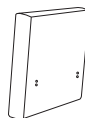
Right seat frame
X1

C



Pedal seat frame
X1

D



Back frame
X3

E1



Sofa leg
X16

E2



Plastic gasket
X16

E3



Felt foot pad
X16

F



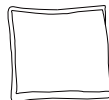
Seat cushion
X3

G



Back cushion
X3

H



Pillow
X3

Accessory List

I



Armrest pillow
X2

J



Footrest cushion
X1

K



M6x25mm
Countersunk screw
X20+2

L



M6x25mm screw
X10+2

M



Allen key
X1

N



Plastic washer
X5

O



Hook
X10

P



Seat frame
connector
X4

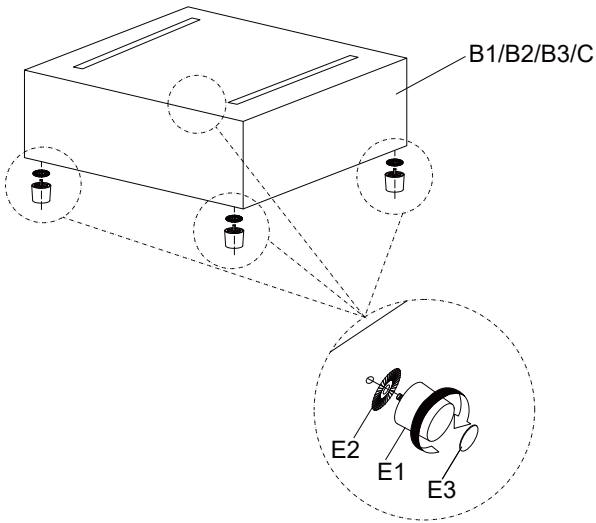
Q



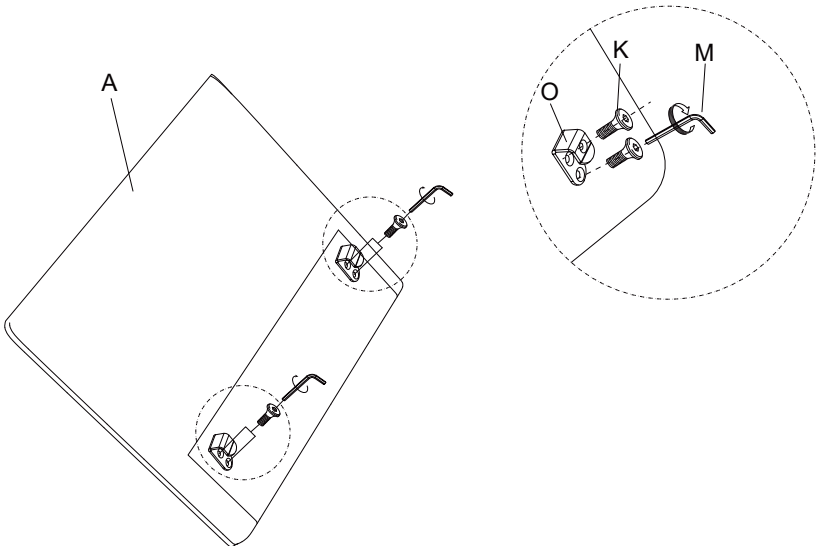
Lower buckle of
backrest
X5

Product Assembly

1. Install sofa legs.

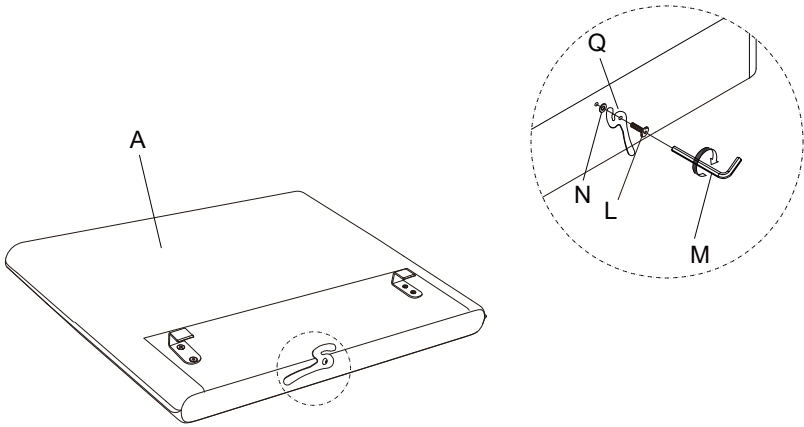


2. Install the O hook into the armrest through the K screw.

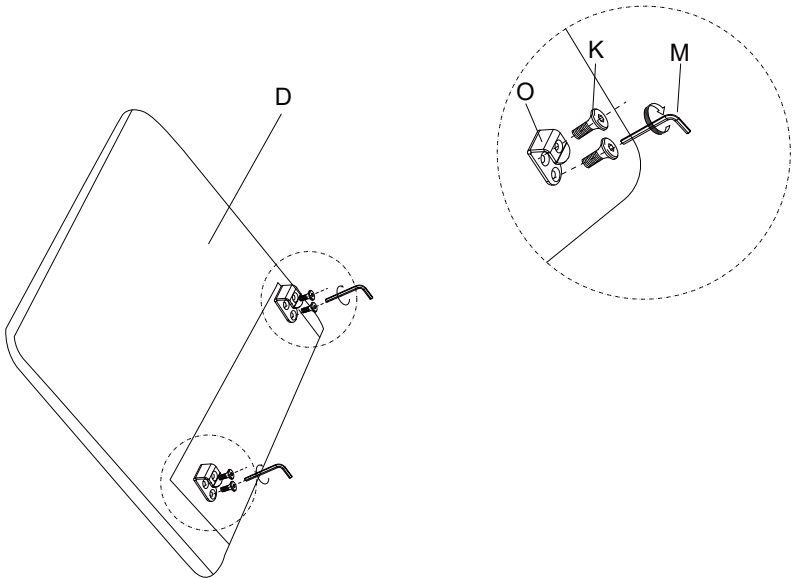


Product Assembly

3. Install Q iron and N washer sheet on the bottom of armrest through L screw.

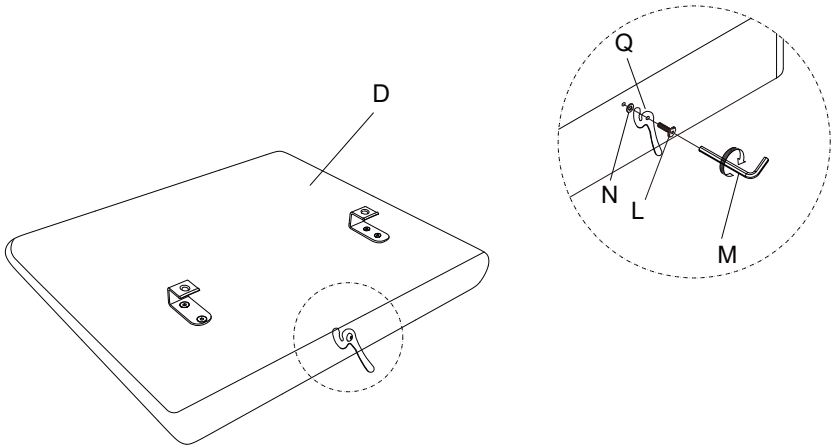


4. Install the O hook into the backrest D using the K screw as in the second step.

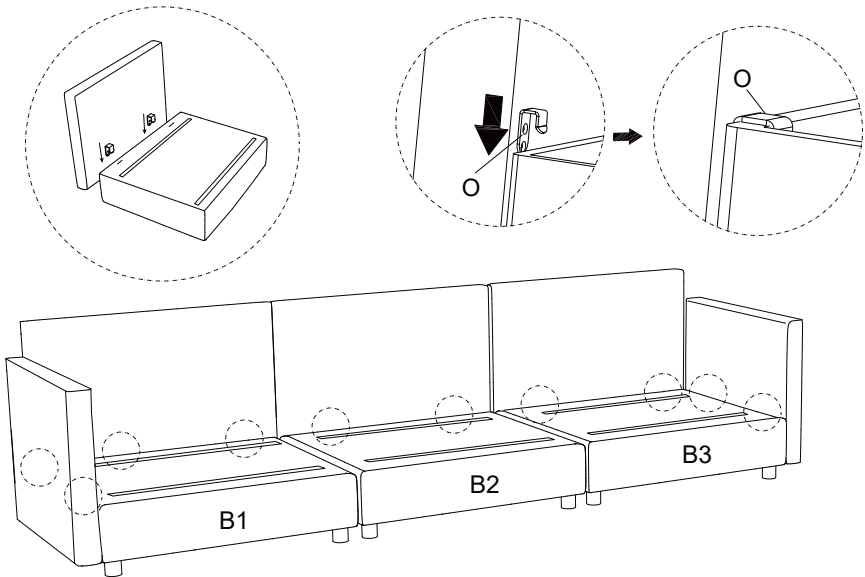


Product Assembly

5. Install Q iron and N washer sheet on the bottom of backrest through L screw.

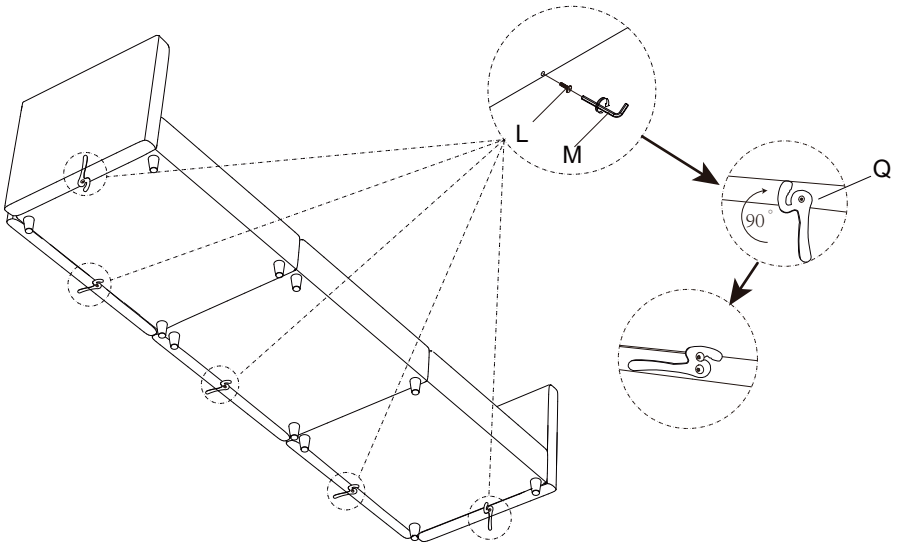


6. Insert the insert on the inside of the backrest/armrest into the seat frame according to the diagram.

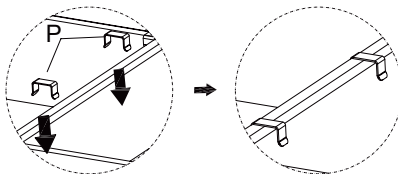
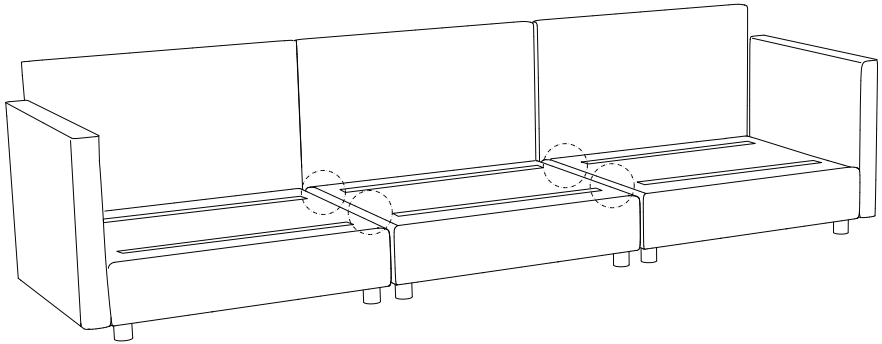


Product Assembly

7. Lift up the sofa, install screw L at the bottom of seat frames as shown in the diagram, and rotate iron plate Q to the position shown in the diagram.



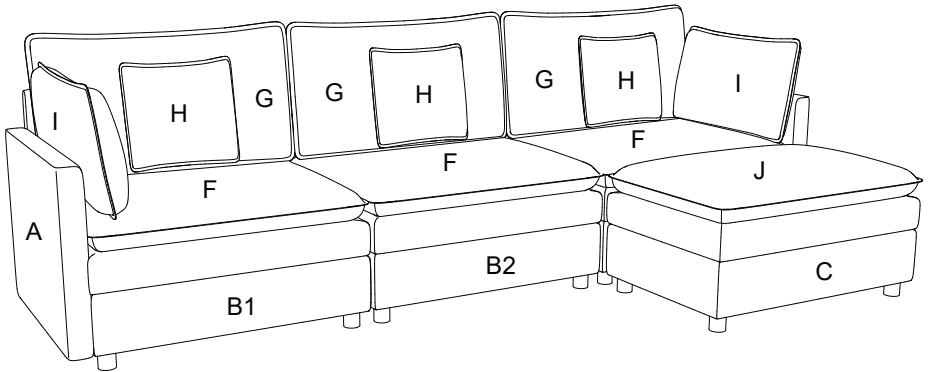
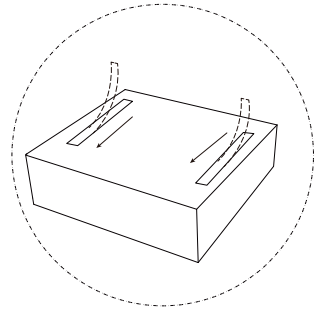
8. Multi position splicing can be achieved through P iron sheets.



Note: When installing the connectors, lift one side of the sofa inward by 30-45° for easy installation.

Product Assembly

9. Tear off the cloth strip on the top of the seat frame and storage board, and place the seat cushion.



Notice:

› Due to the vacuum packaging treatment of the product, please wait 2-3 days after installation, it will naturally become fluffy.