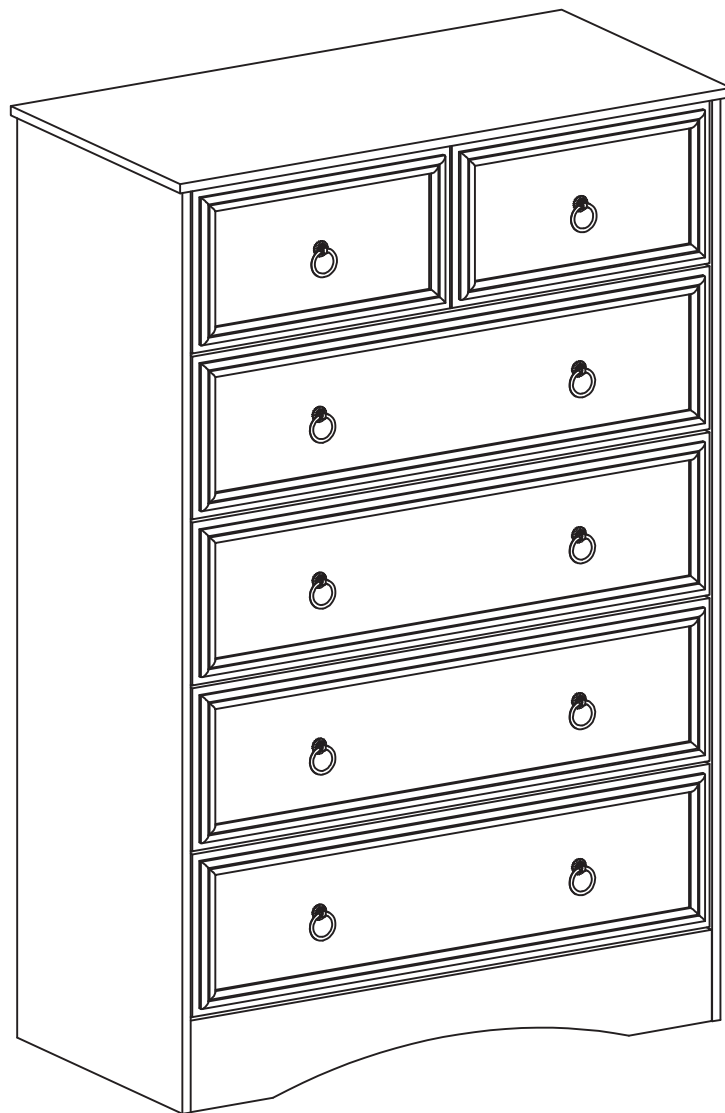


# 6 Drawer USER MANUAL





## Safety and Care Advice

**Important – Please read these instructions fully before starting assembly**

- Check you have all the components and tools listed on the following pages.
- Remove all fittings from the plastic bags and separate them into their groups.
- Keep children and animals away from the work area, small parts could choke if swallowed.
- Make sure you have enough space to layout the parts before starting.

- During assembly do not stand or put weight on the product, this could cause damage.
- Assemble the item as close to its final position (in the same room) as possible.
- Assemble on a soft level surface to avoid damaging the unit or your floor.
- Parts of the assembly will be easier with 2 people.



power drill is set on a low torque setting.

- To reduce the likelihood of damaging your product please ensure that your

### Care and maintenance

- Only clean using a damp cloth and mild detergent, do not use bleach or abrasive cleaners.
- From time to time check that there are no loose screws on this unit.
- This product should not be discarded with household waste. Take to your local authority waste disposal centre.

### Handy Hints

- Assemble all parts and bolts loosely during assembly, only once the product is complete should you fully tighten the bolts
- Regularly check and ensure that all bolts and fittings are tightened properly.

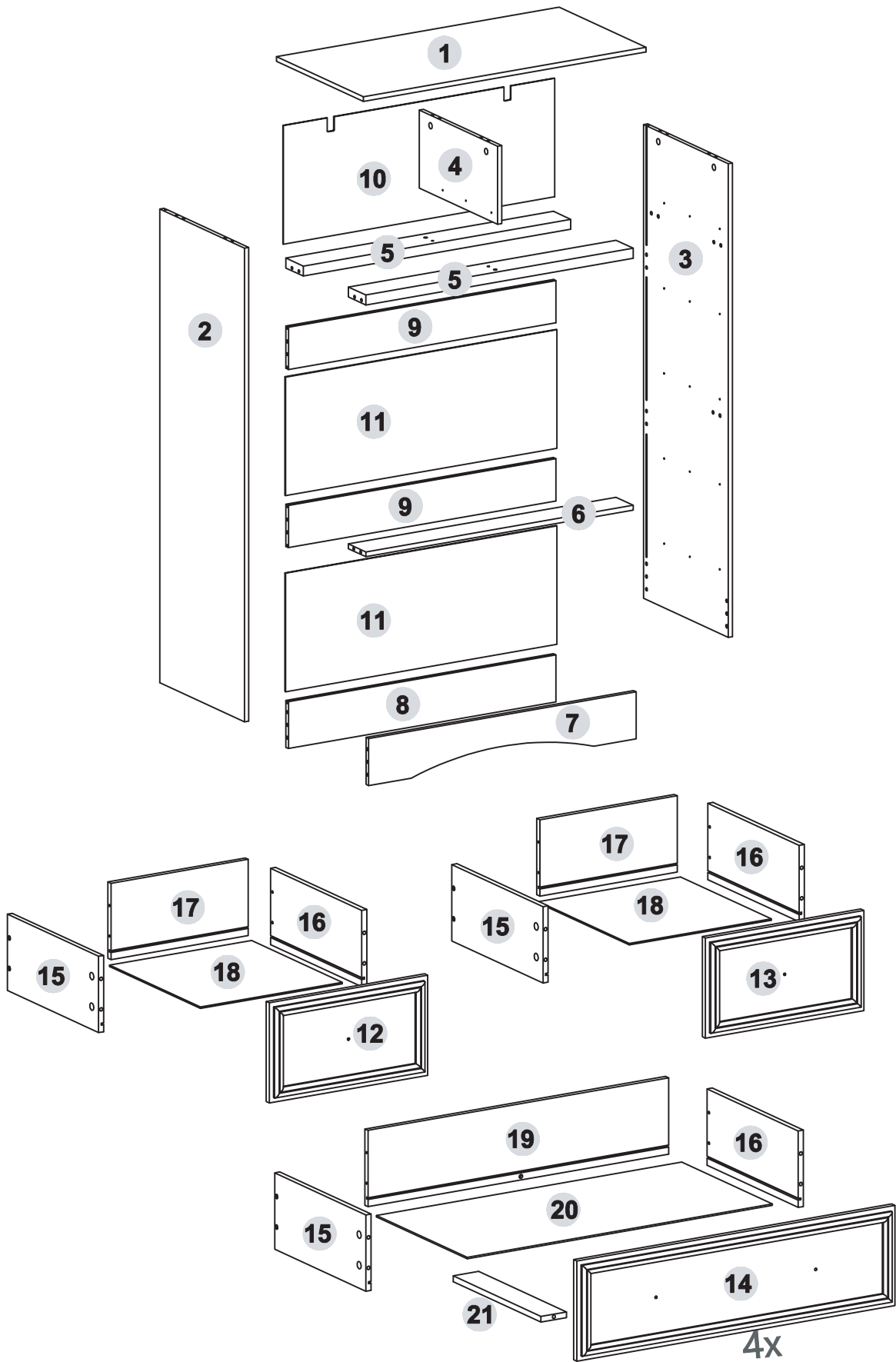


## WARNING

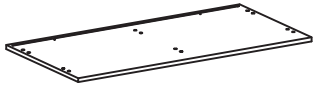


Children have died from furniture tipover.  
To reduce the risk of furniture tipover:  
-ALWAYS install Anti-tip device provided.  
-NEVER put a TV on this product.  
-NEVER allow children to stand climb or hang on any drawers, doors, or shelves.  
-NEVER open more than one drawer at a time.  
-Place heaviest items in the lowest drawers.  
This is a permanent label.  
Do not remove!

# PACKAGE INCLUDE

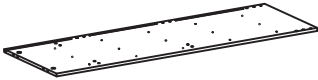


# PART IDENTIFICATION



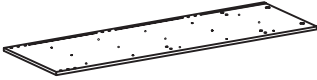
1

1x



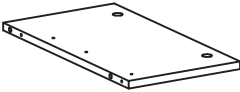
2

1x



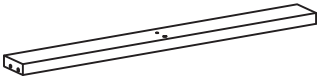
3

1x



4

1x



5

2x



6

1x



7

1x



8

1x



9

2x



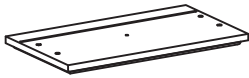
10

1x



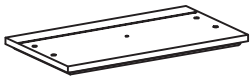
11

2x



12

1x



13

1x



14

4x



15

6x



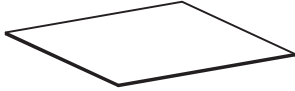
16

6x



17

2x



18

2x



19

4x



20

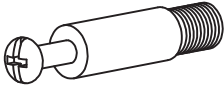

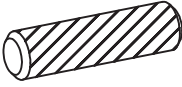





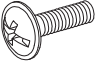

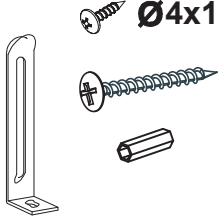
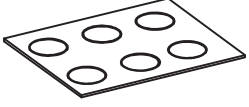
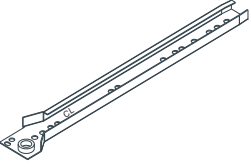
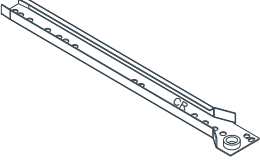
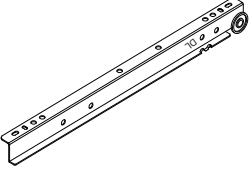
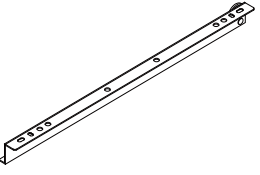
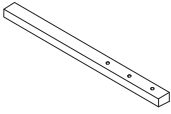
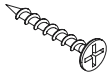
4x



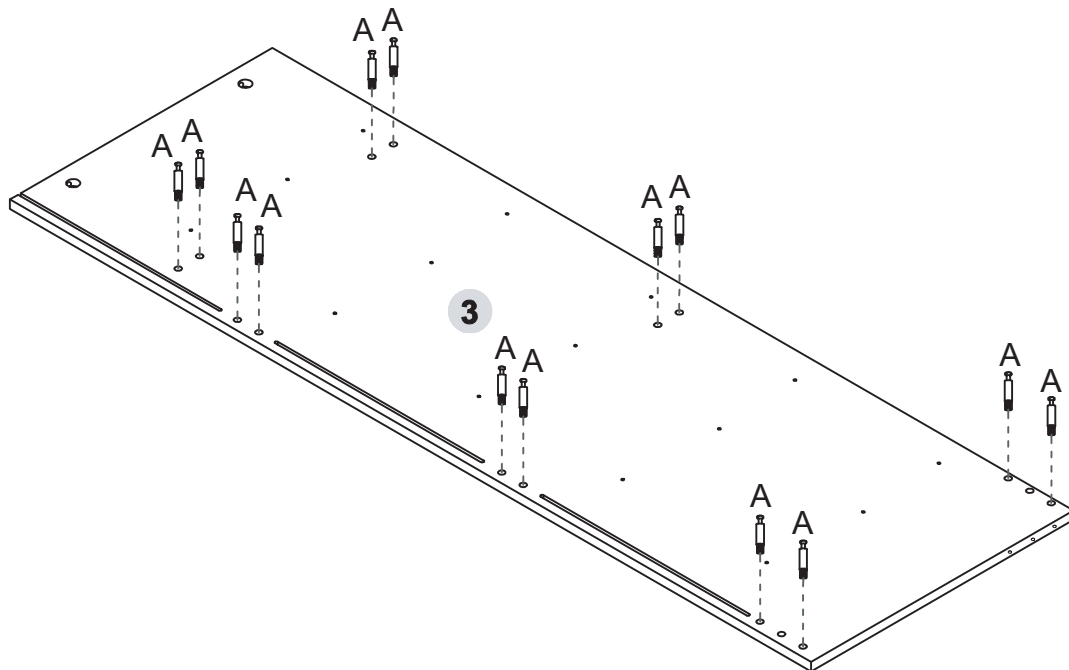
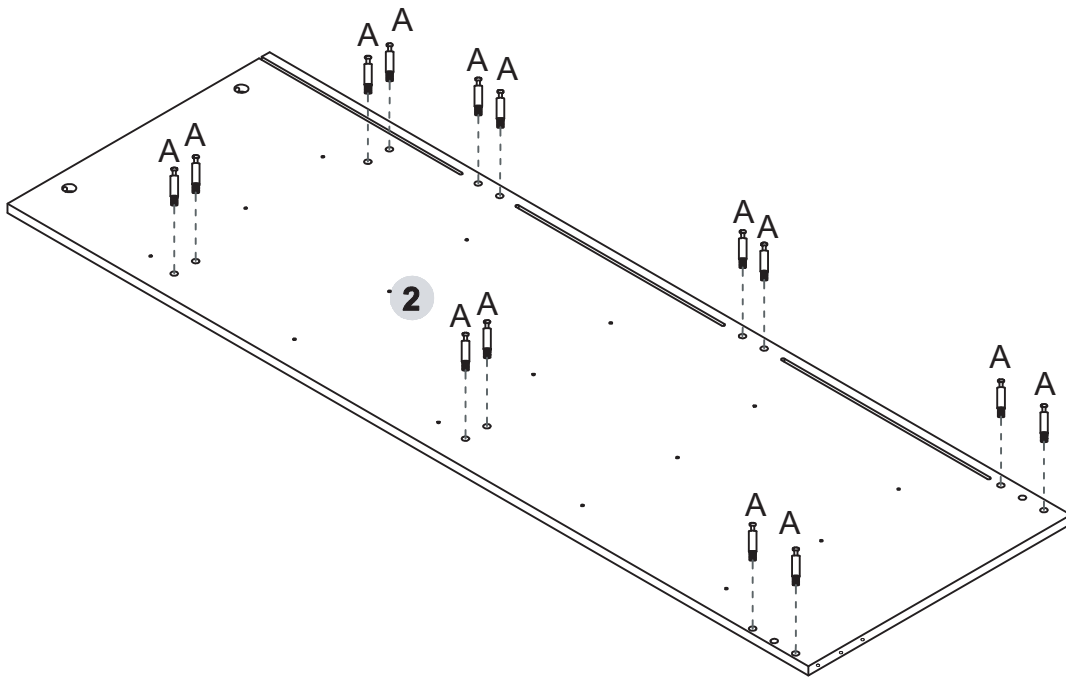
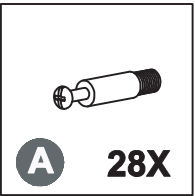
21

4x


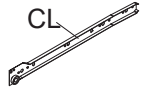
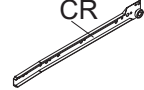
# PACKAGE CONTENT

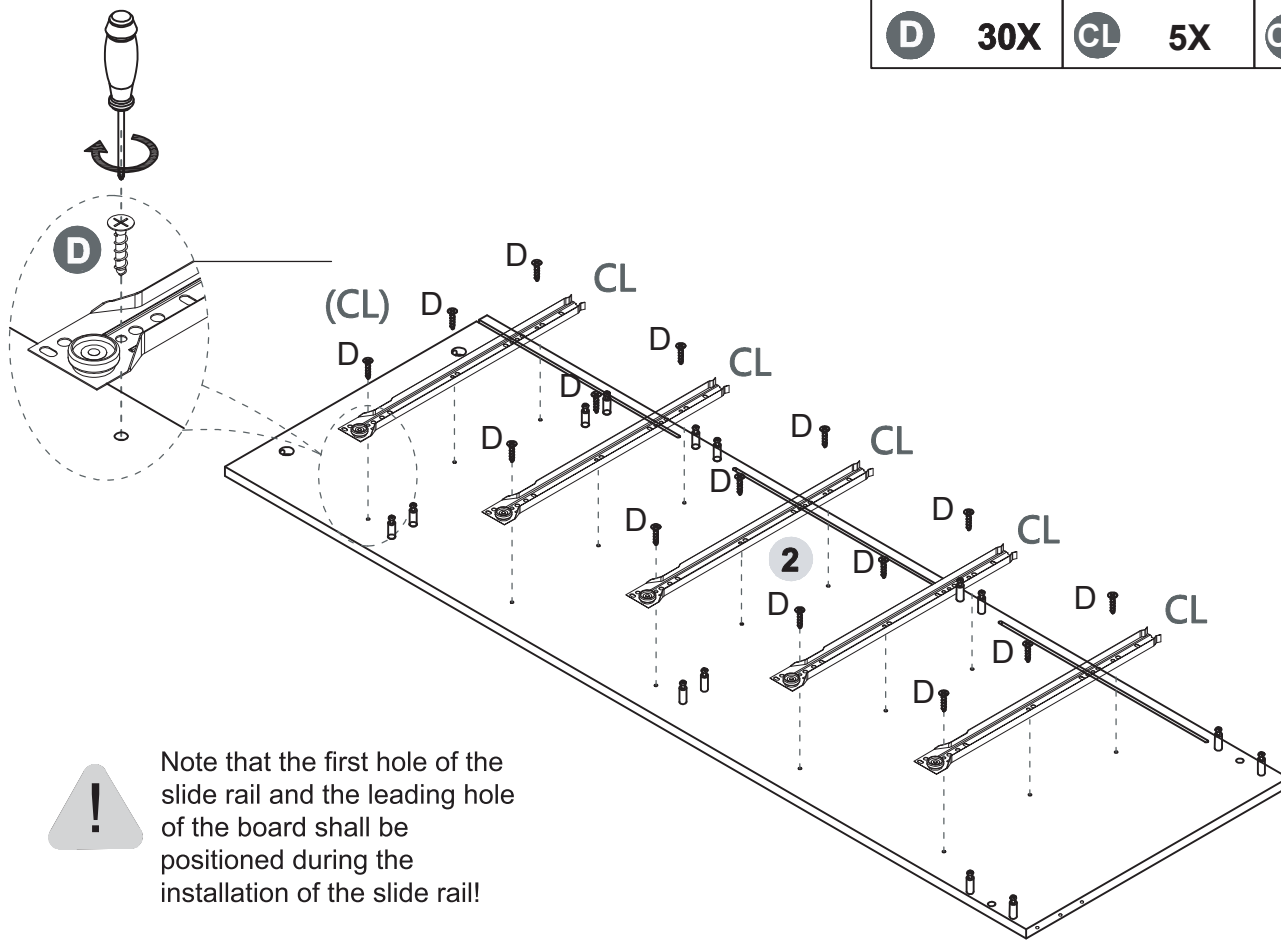
<p><b>A</b></p>  <p><b>62x+6</b></p>	<p><b>Ø15x10MM</b></p>  <p><b>B</b></p> <p><b>62x+6</b></p>	<p><b>Ø6x30MM</b></p>  <p><b>C</b></p> <p><b>12x+2</b></p>	<p><b>Ø3.5x12MM</b></p>  <p><b>D</b></p> <p><b>60x+6</b></p>
<p><b>Ø4x35MM</b></p>  <p><b>E</b></p> <p><b>28x+3</b></p>	<p><b>Ø3x14MM</b></p>  <p><b>F</b></p> <p><b>12x+1</b></p>	 <p><b>G</b></p> <p><b>12x+1</b></p>	 <p><b>I</b></p> <p><b>10x</b></p>
<p><b>M4x16MM</b></p>  <p><b>J</b></p> <p><b>10x+1</b></p>	<p><b>Ø 4x45MM</b></p>  <p><b>K</b></p> <p><b>2x</b></p>	<p><b>Ø4x12MM</b></p>  <p><b>L</b></p> <p><b>2x</b></p>	 <p><b>N</b></p> <p><b>24x+3</b></p>
 <p><b>CL</b></p> <p><b>6x</b></p>	 <p><b>CR</b></p> <p><b>6x</b></p>	 <p><b>DL</b></p> <p><b>6x</b></p>	 <p><b>DR</b></p> <p><b>6x</b></p>
<p><b>W250x8MM</b></p>  <p><b>Y</b></p> <p><b>2x</b></p>	<p><b>Ø4x25MM</b></p>  <p><b>Z</b></p> <p><b>6x</b></p>		

# STEP 1



# STEP 2

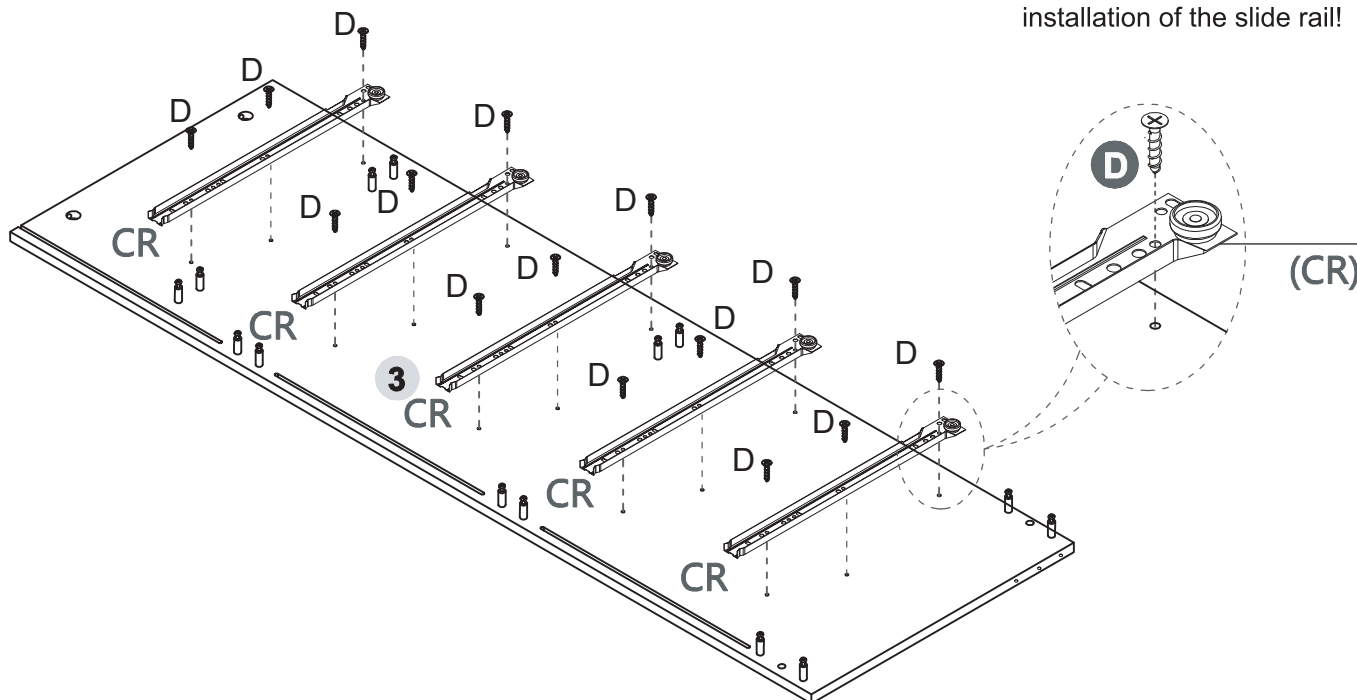
		
<b>D</b> 30X	<b>CL</b> 5X	<b>CR</b> 5X




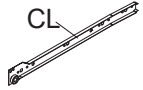
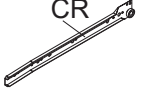
Note that the first hole of the slide rail and the leading hole of the board shall be positioned during the installation of the slide rail!



Note that the first hole of the slide rail and the leading hole of the board shall be positioned during the installation of the slide rail!

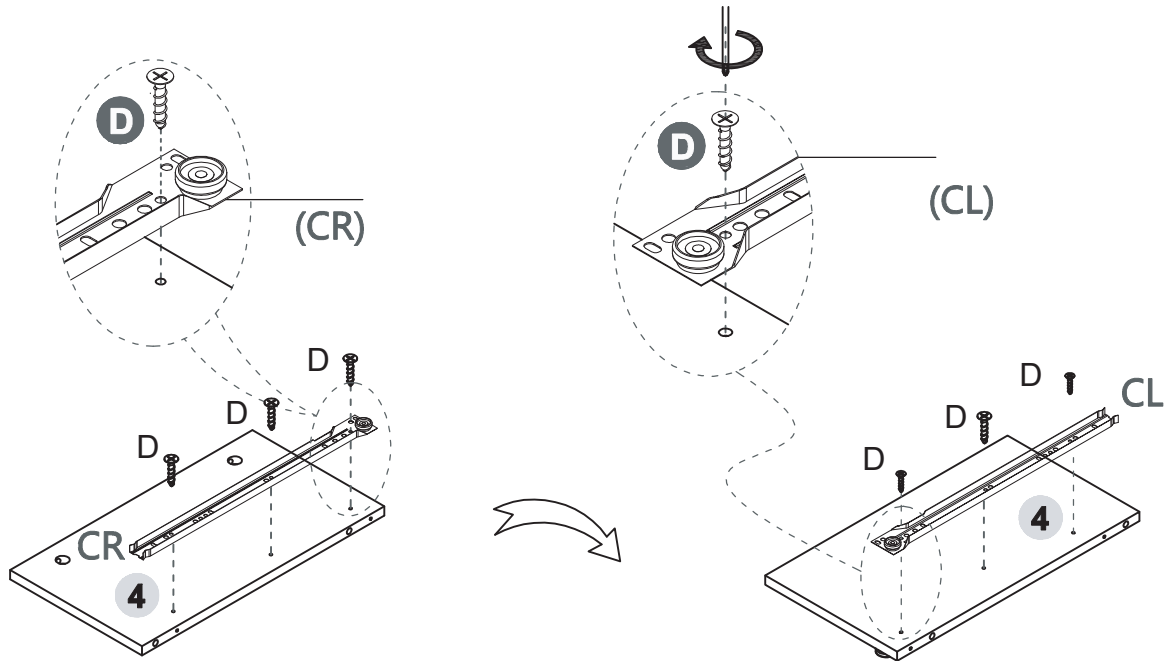


# STEP 3

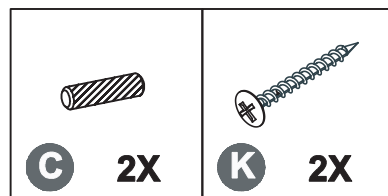
		
<b>D</b> 6X	<b>CL</b> 1X	<b>CR</b> 1X



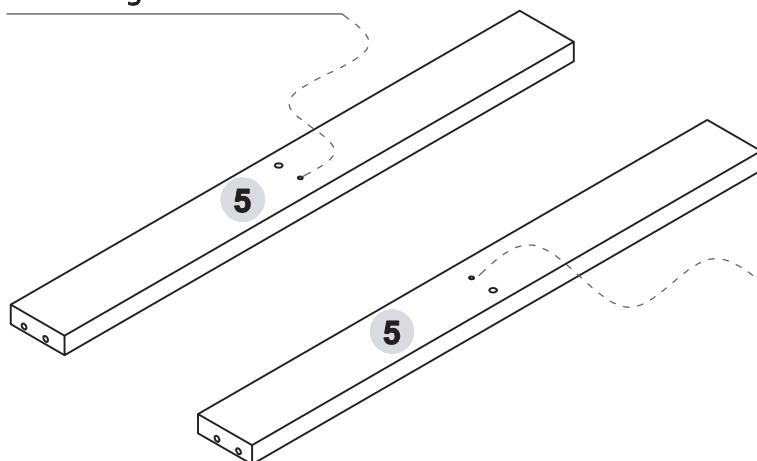
Note that the first hole of the slide rail and the leading hole of the board shall be positioned during the installation of the slide rail!



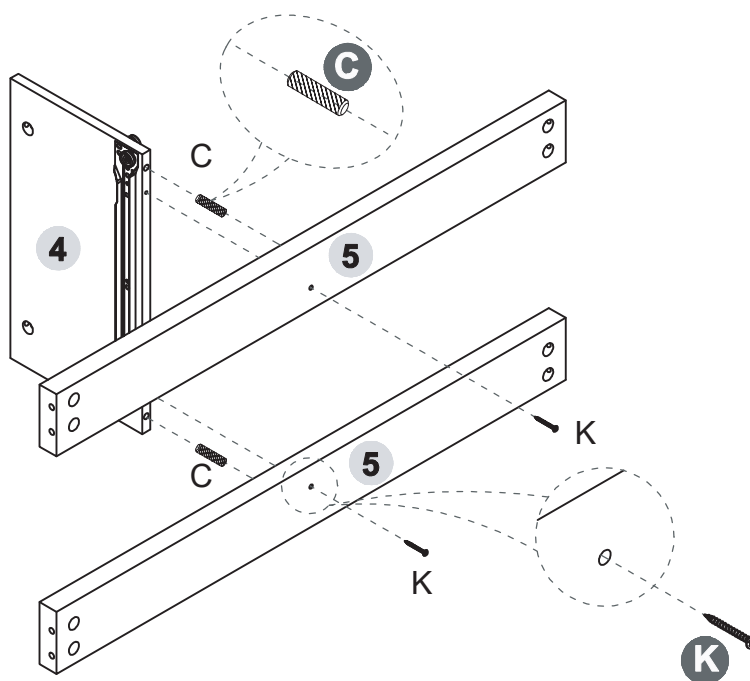
# STEP 4





The through-hole is in there.

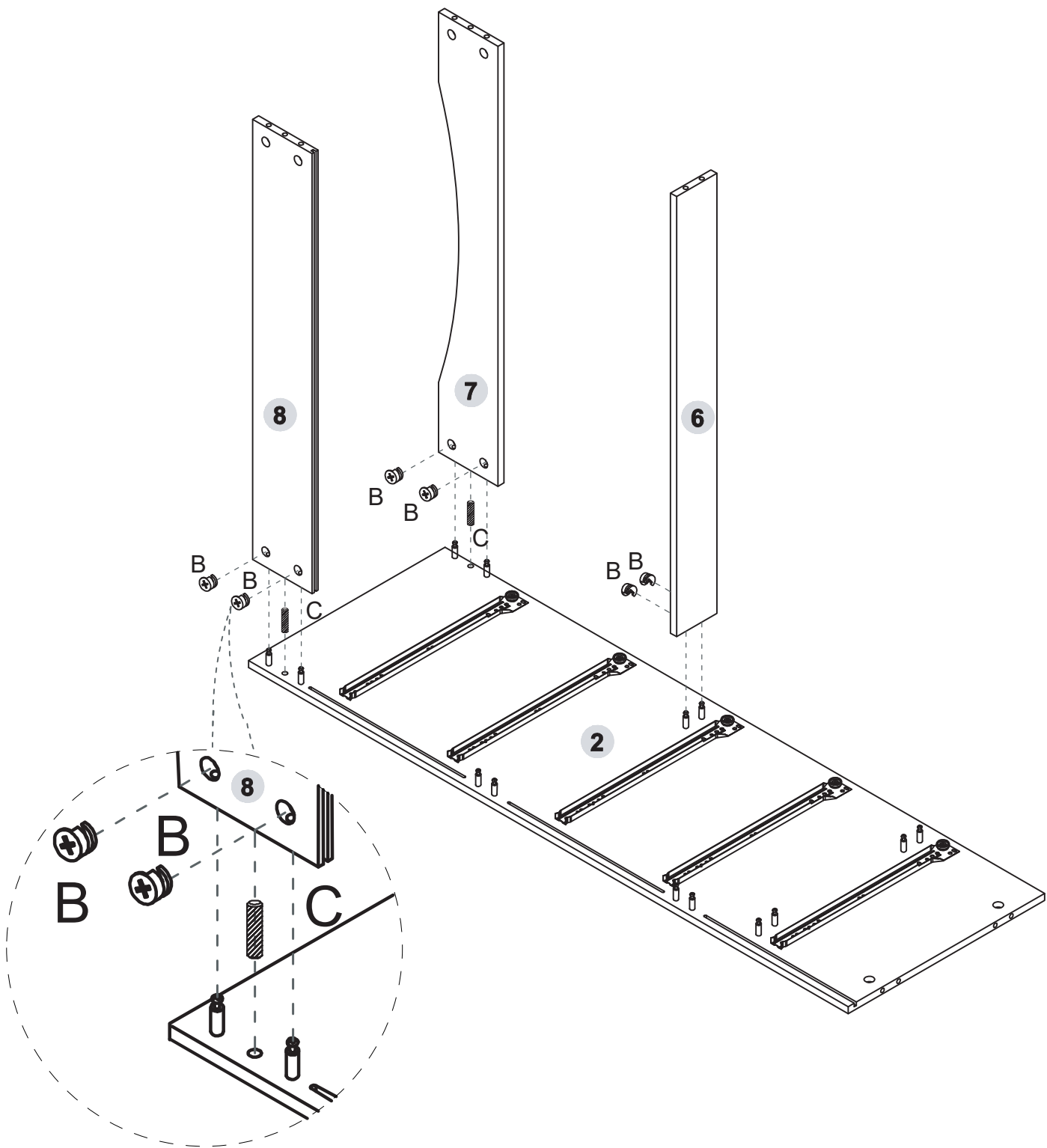


The through-hole is in there.

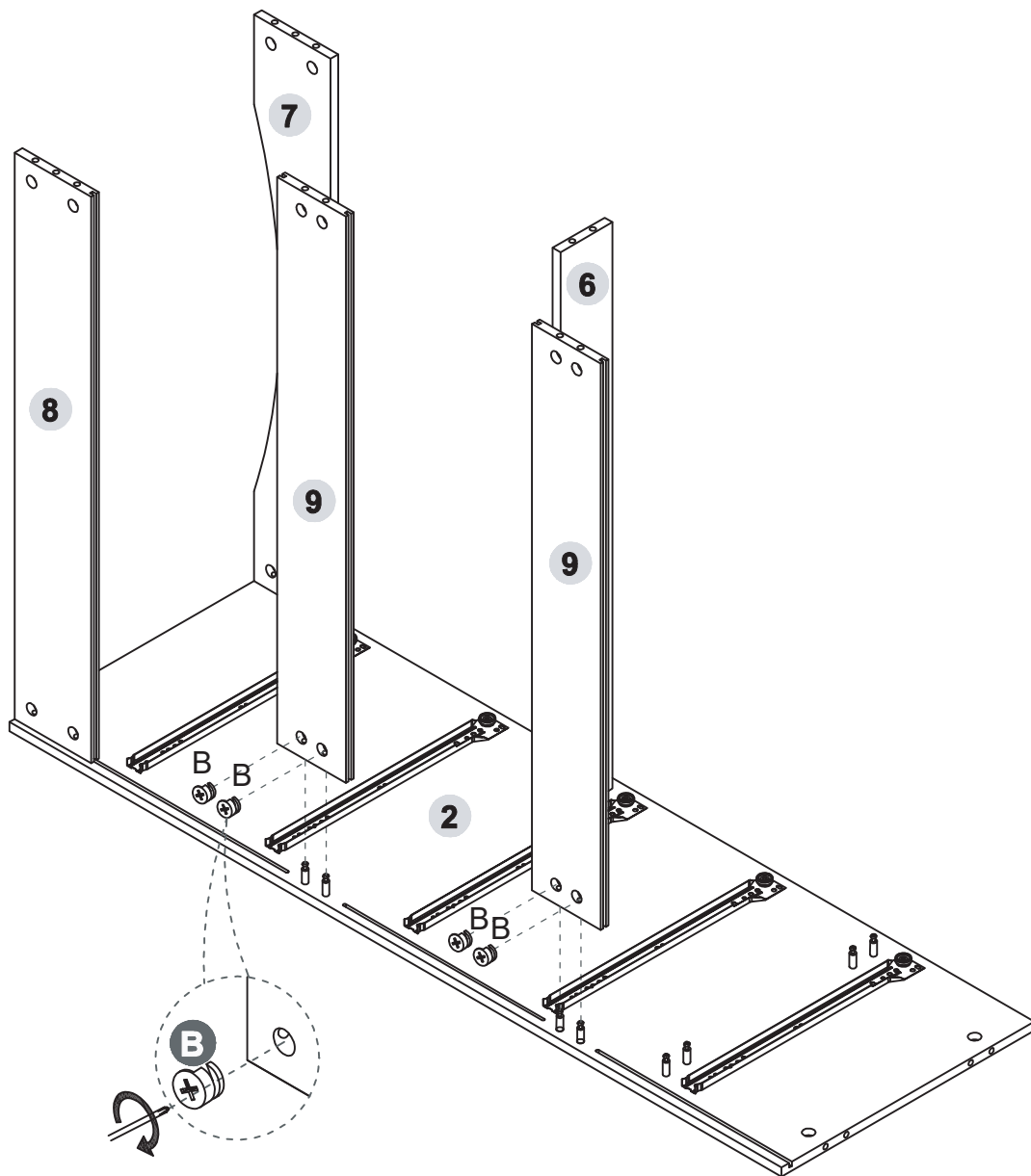
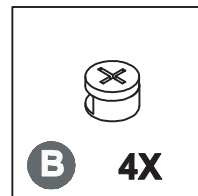


# STEP 5

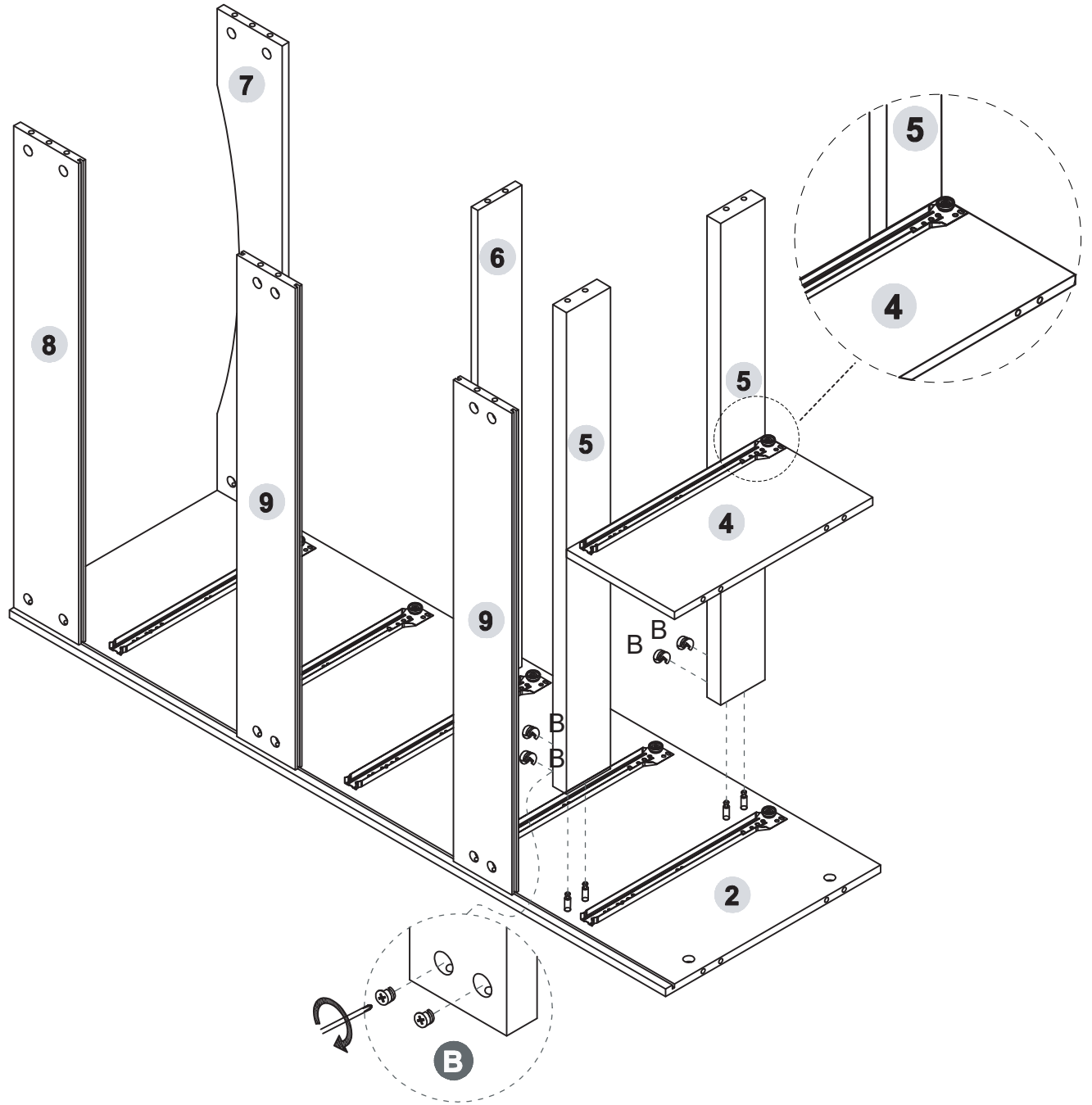
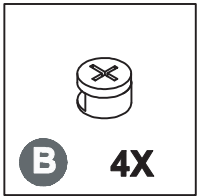
	
<b>B</b> 6X	<b>C</b> 2X



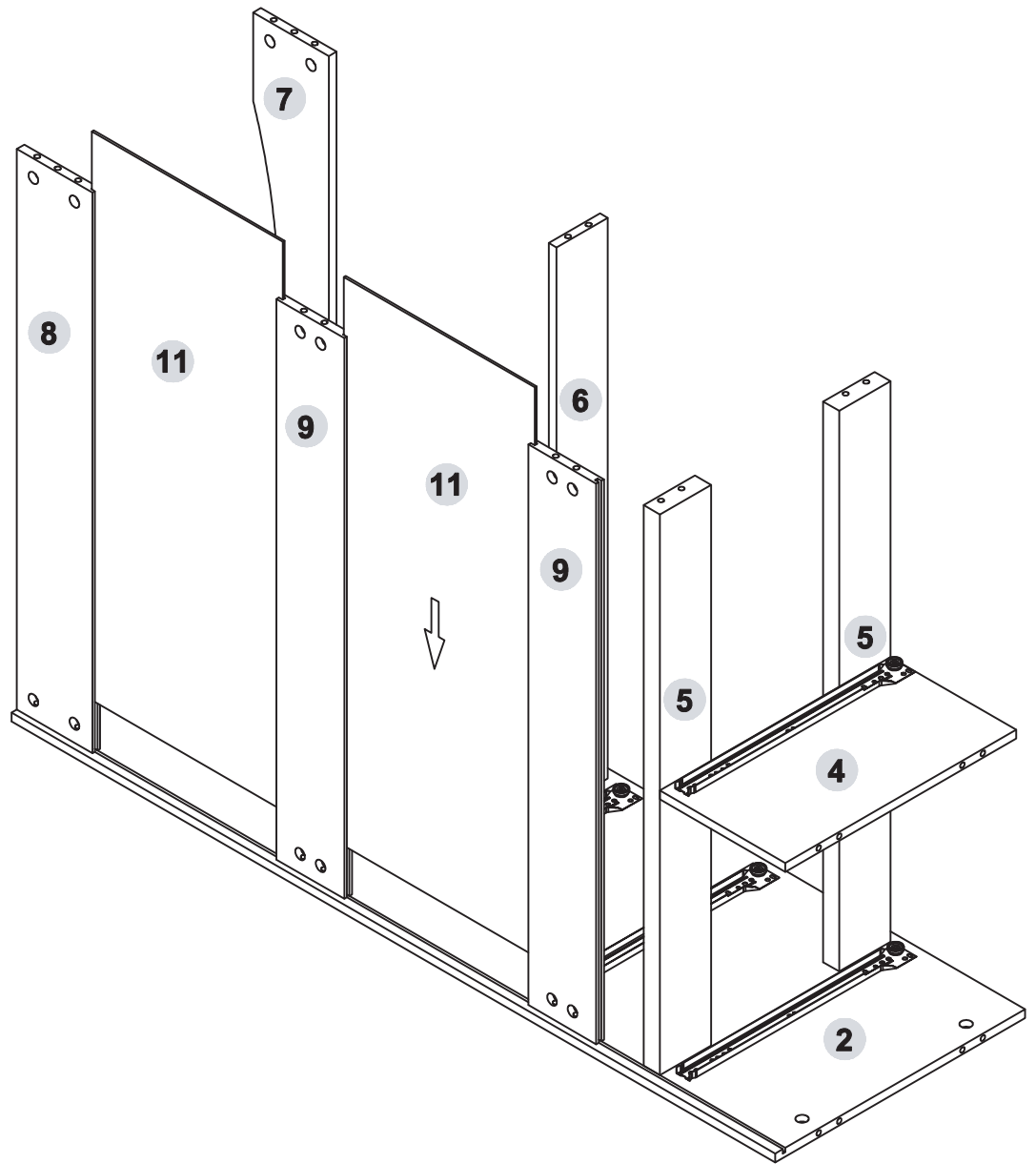
# STEP 6



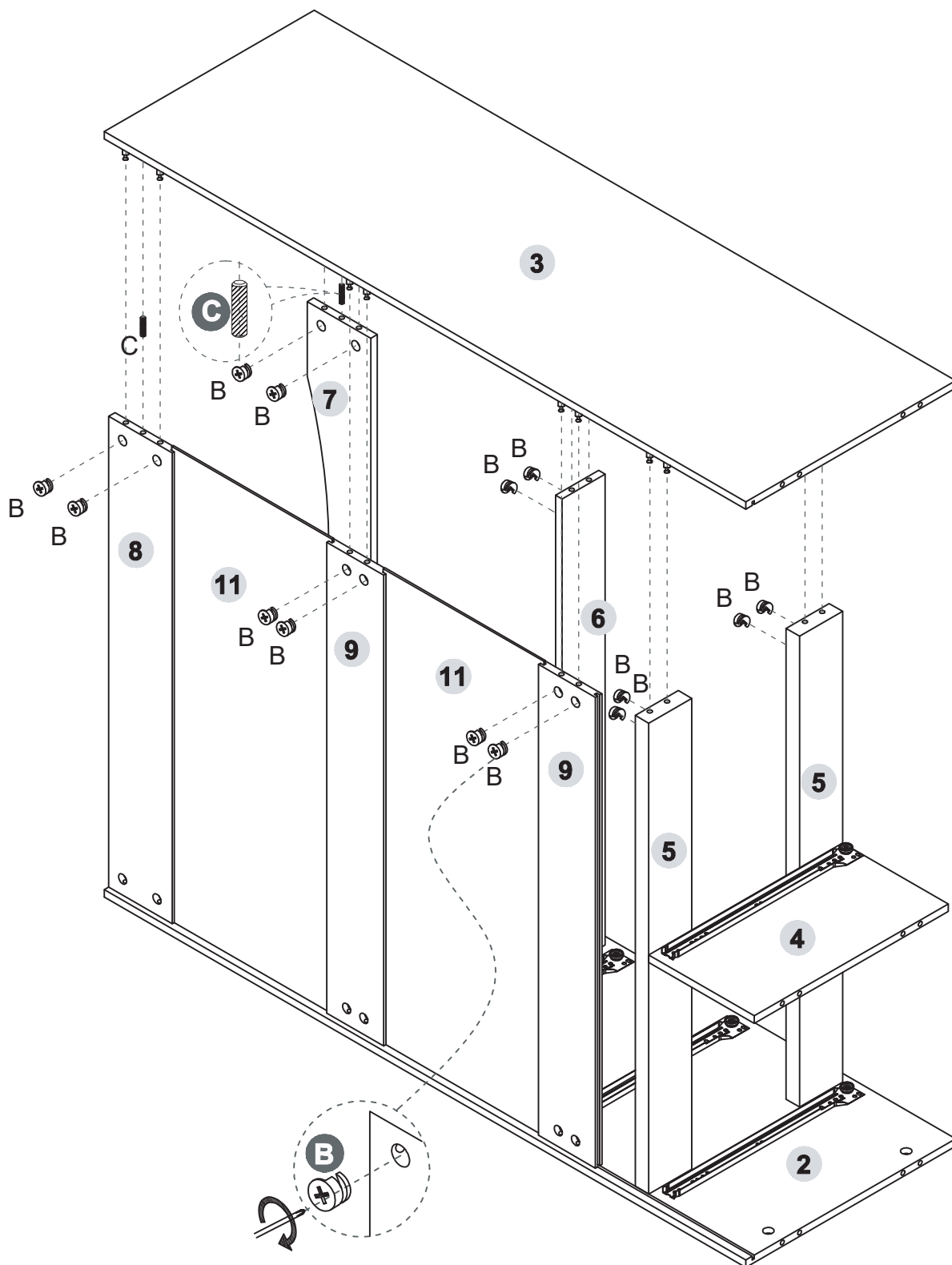
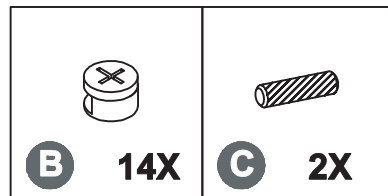
# STEP 7



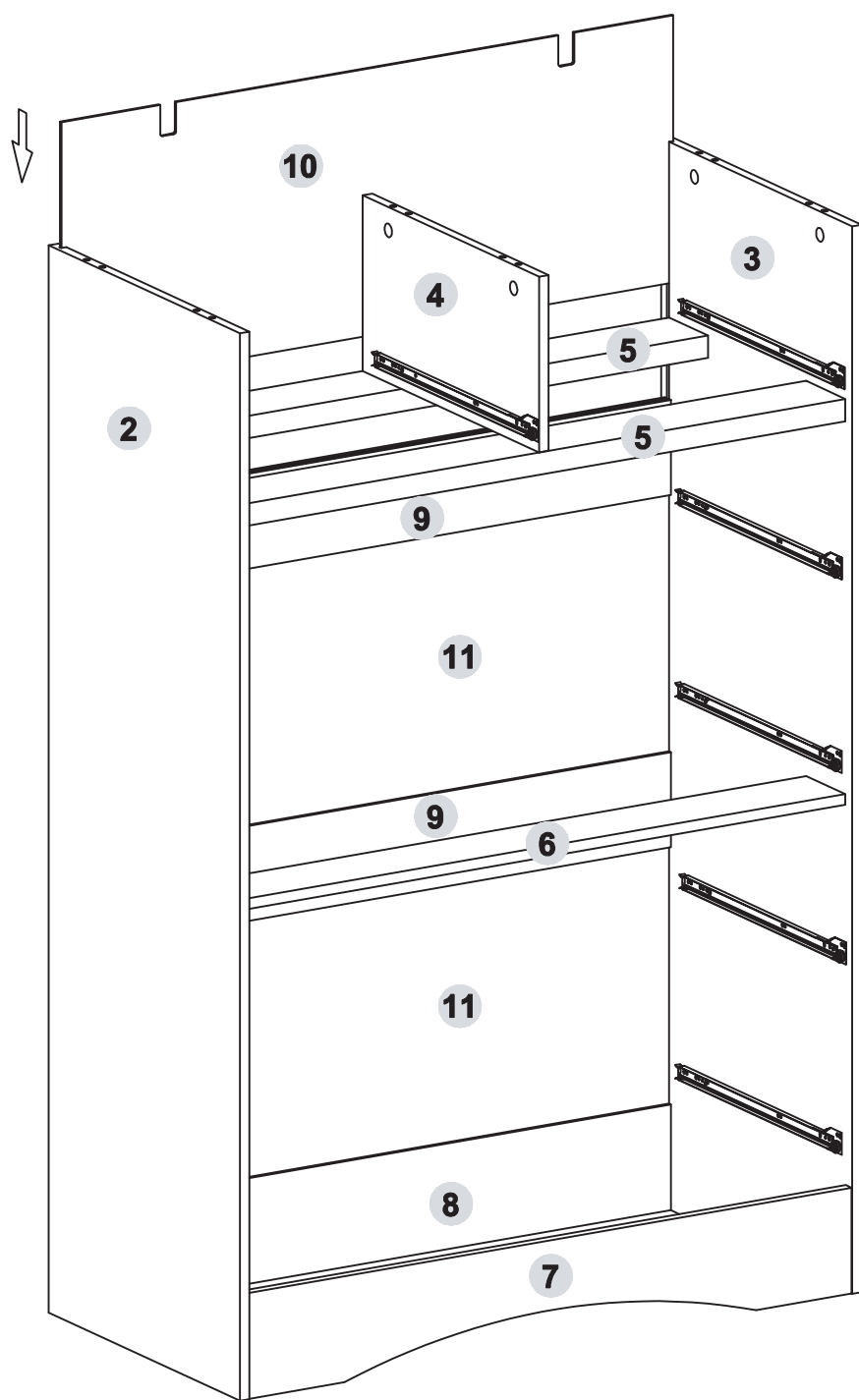
# STEP 8






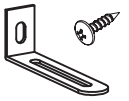
# STEP 9

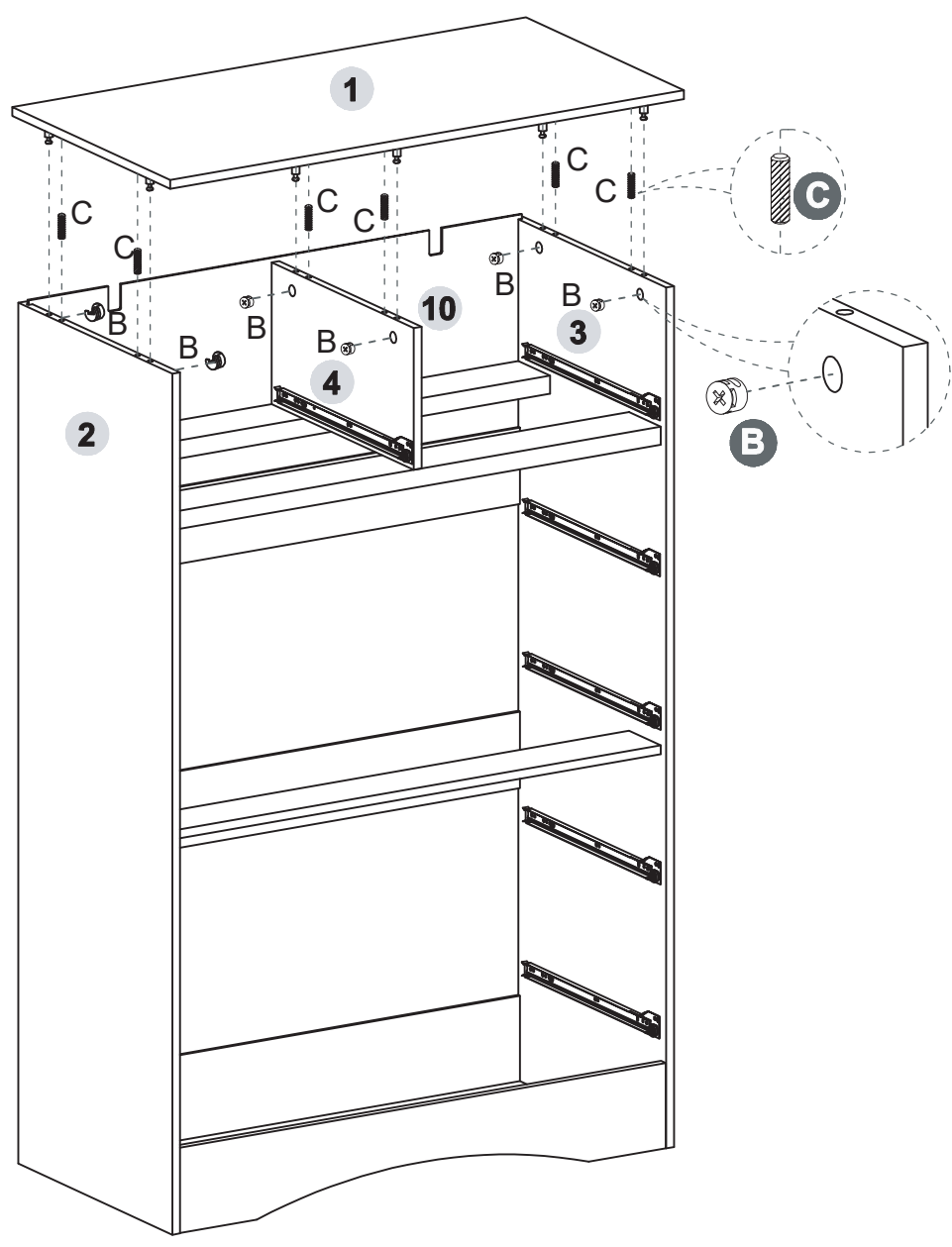
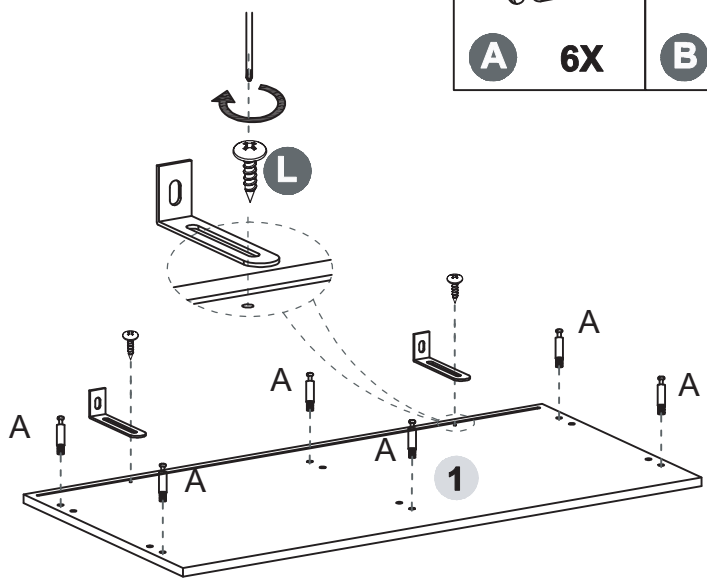


# STEP 10

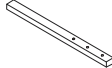



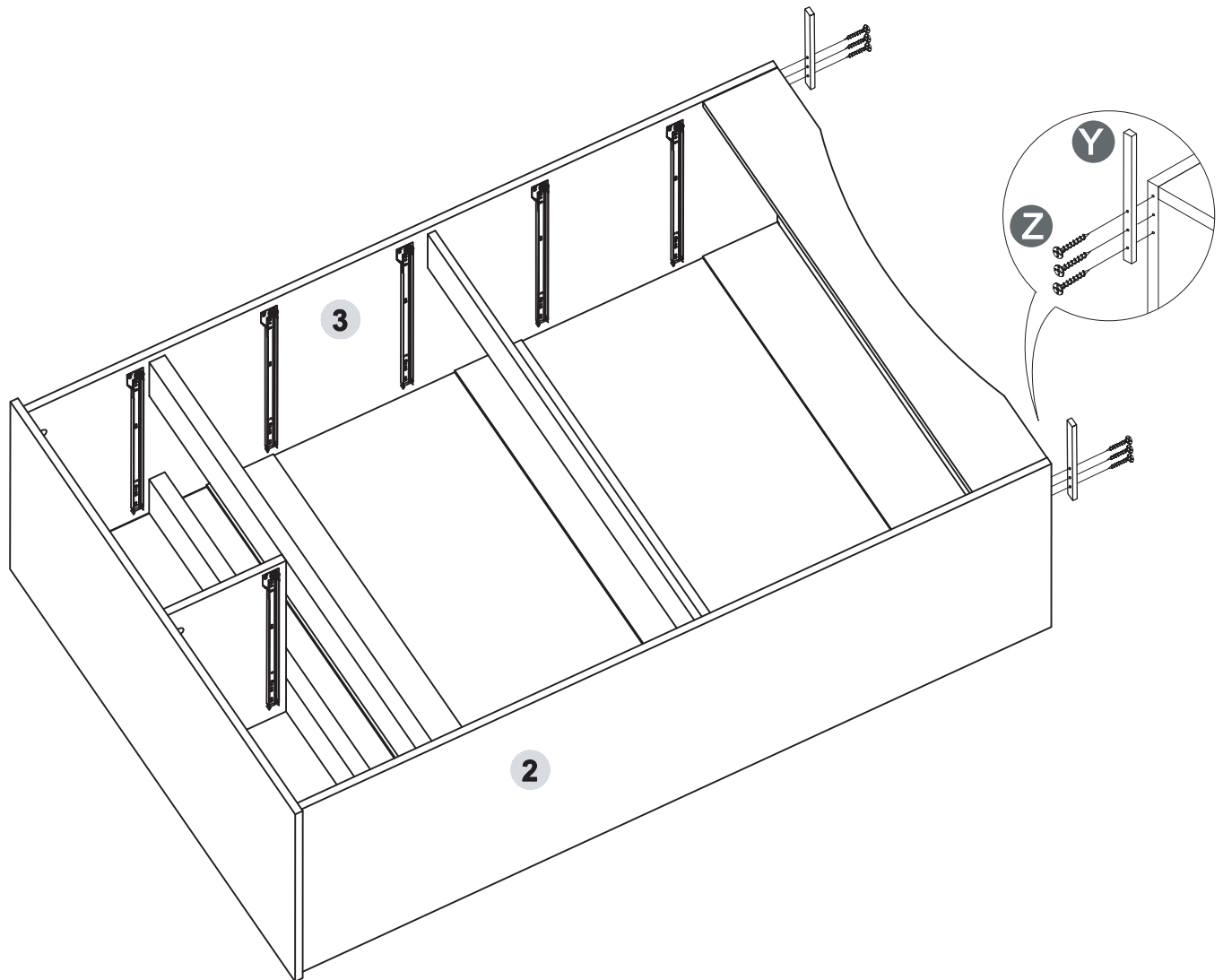
# STEP 11

			
<b>A</b> 6X	<b>B</b> 6X	<b>C</b> 6X	<b>L</b> 2X





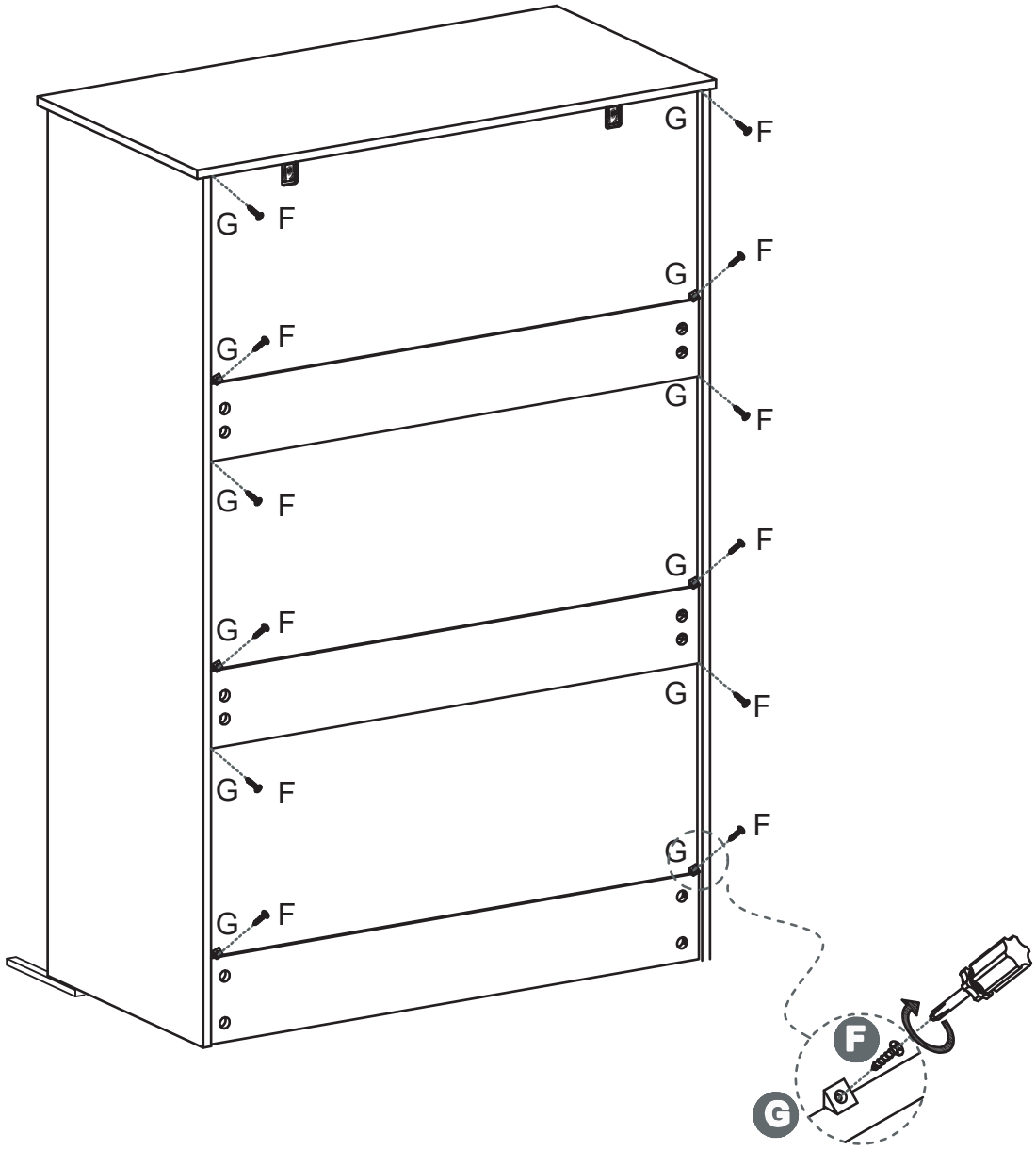
# STEP 12

	
<b>Y 2X</b>	<b>Z 6X</b>

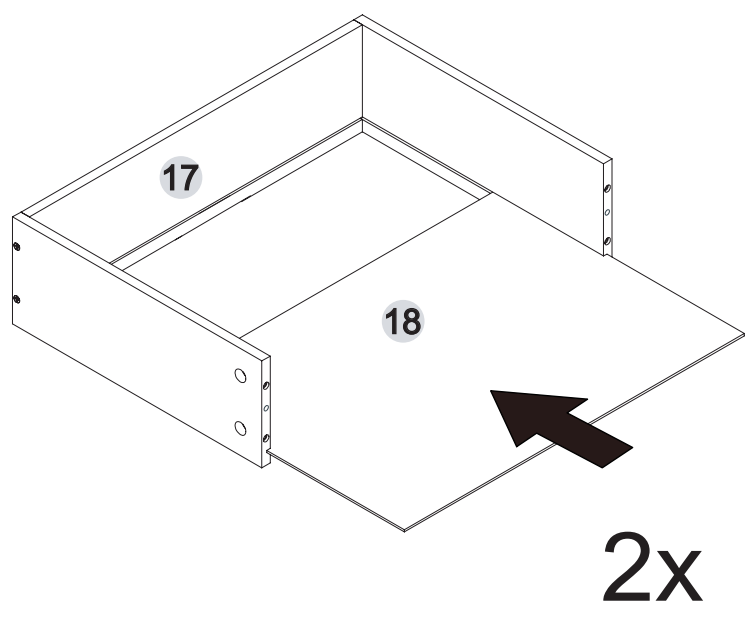
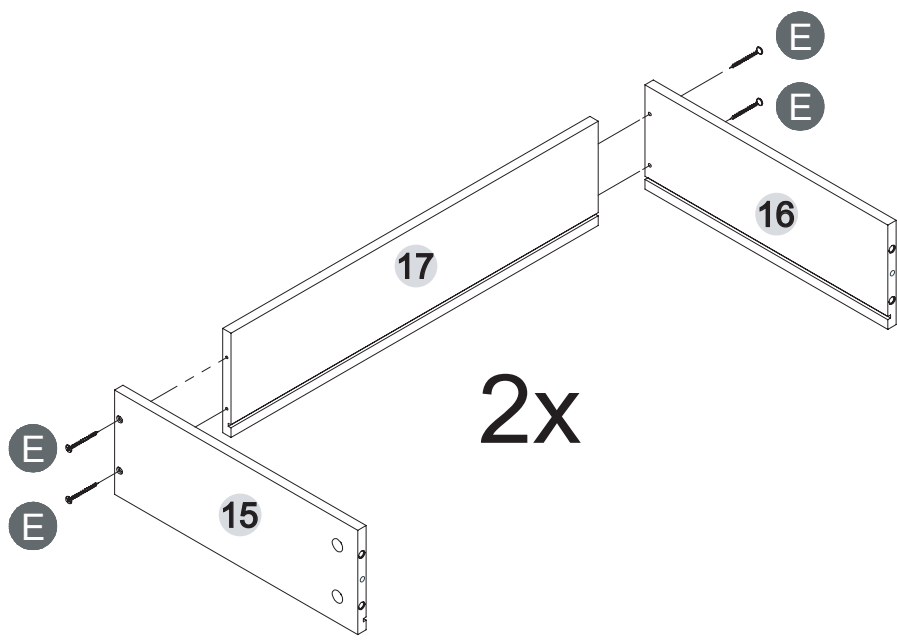
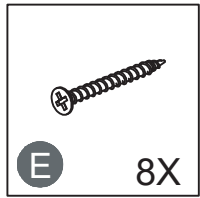


# STEP 13

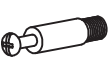


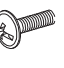
 <b>F</b> 12X	 <b>G</b> 12X
---	---

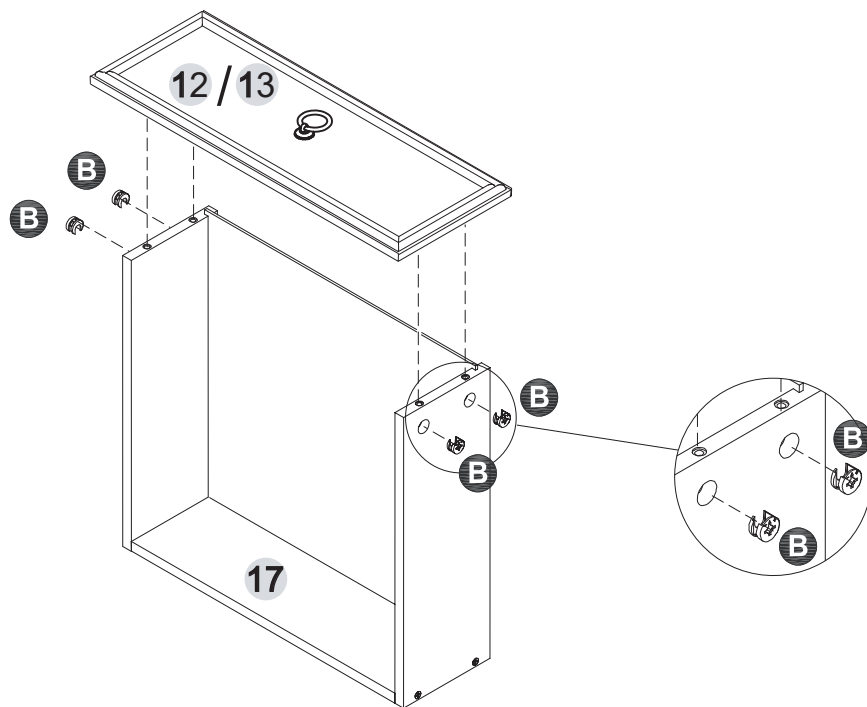
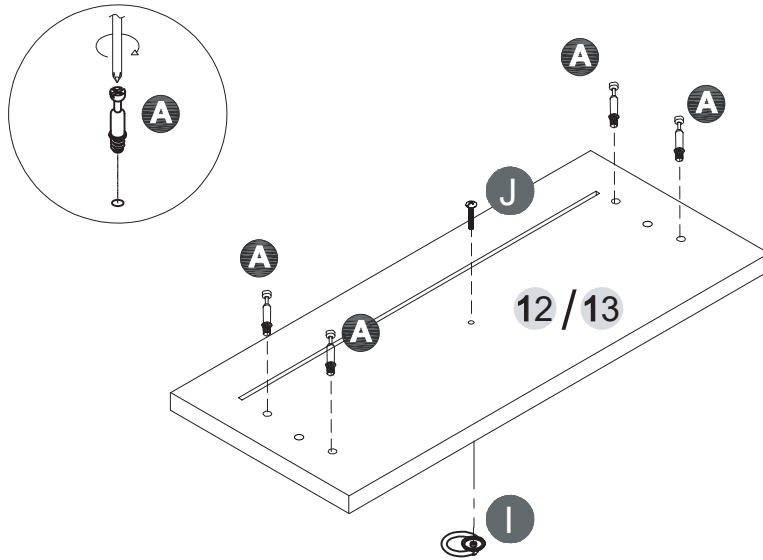


# STEP 14

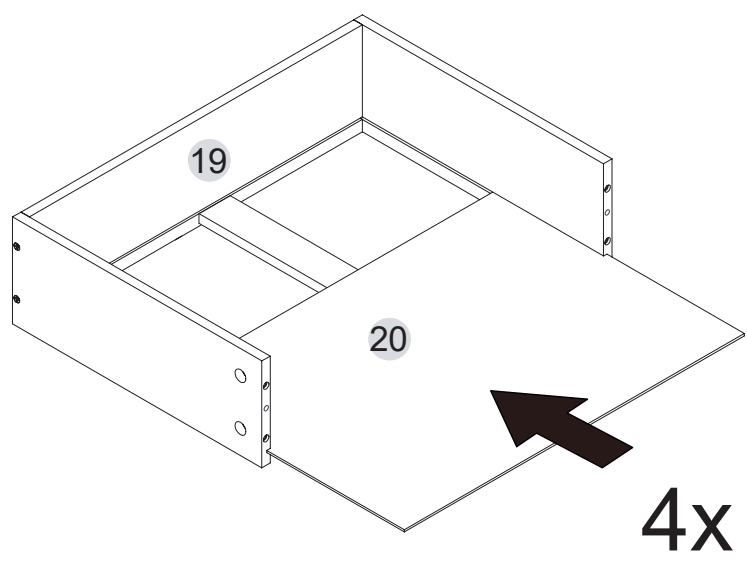
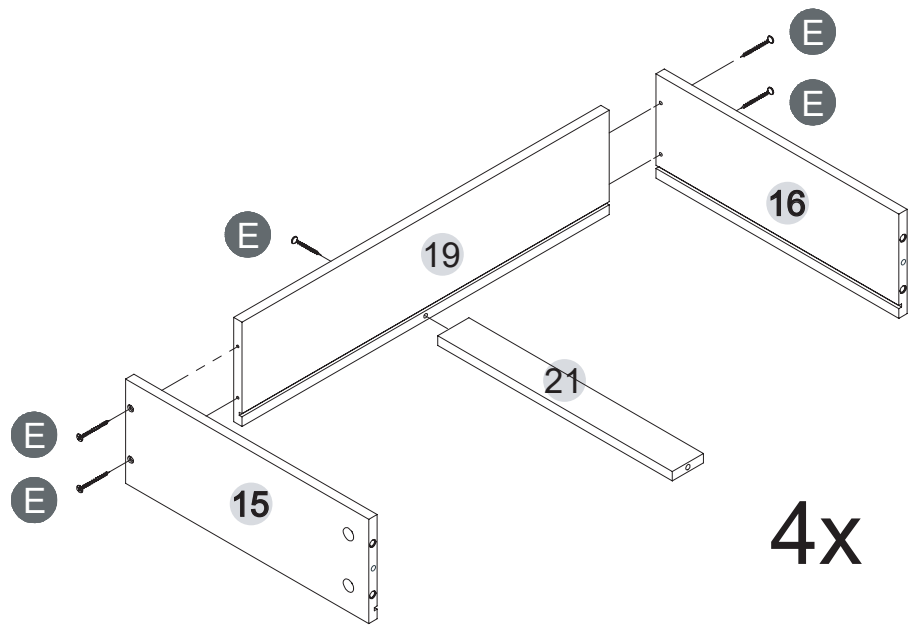
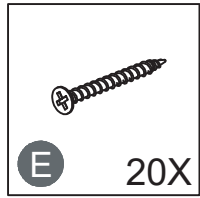


# STEP 15

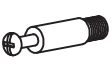



 <b>A</b> 8X	 <b>B</b> 8X	 <b>I</b> 2X	 <b>J</b> 2X
--	---	--	--

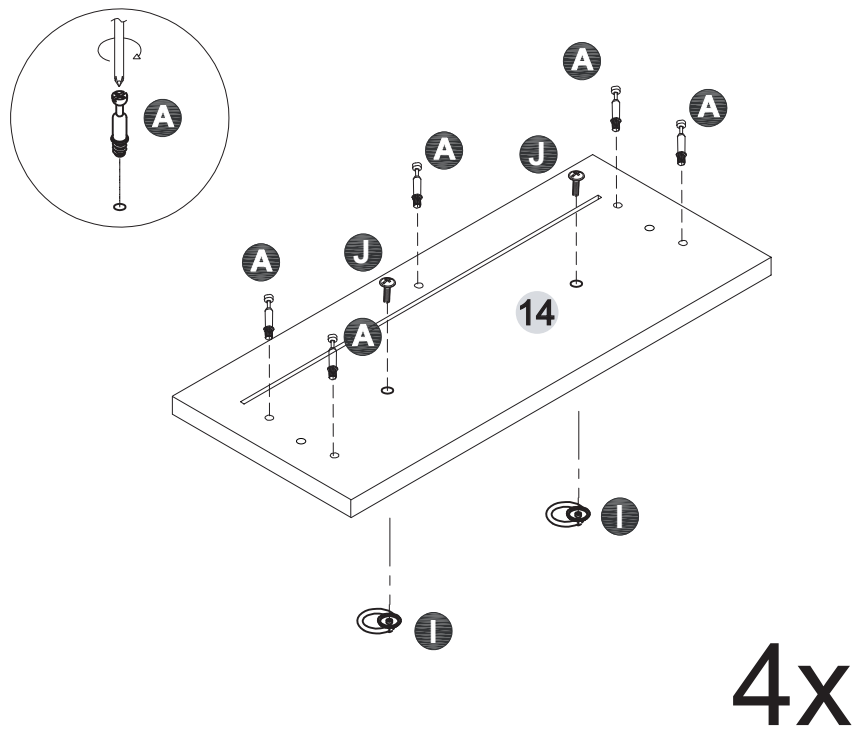


# STEP 16

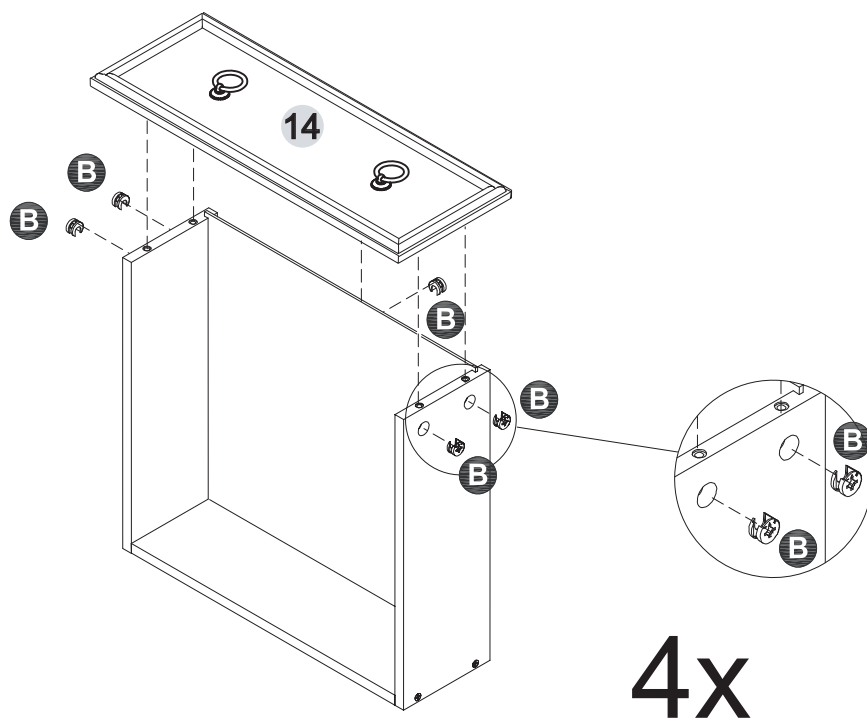


# STEP 17

 <b>A</b> 20X	 <b>B</b> 20X	 <b>I</b> 8X	 <b>J</b> 8X
---	--	--	--

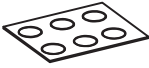

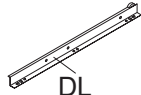
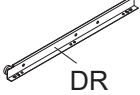


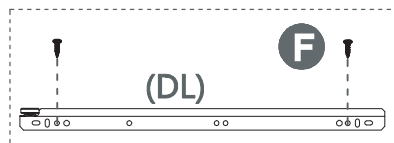
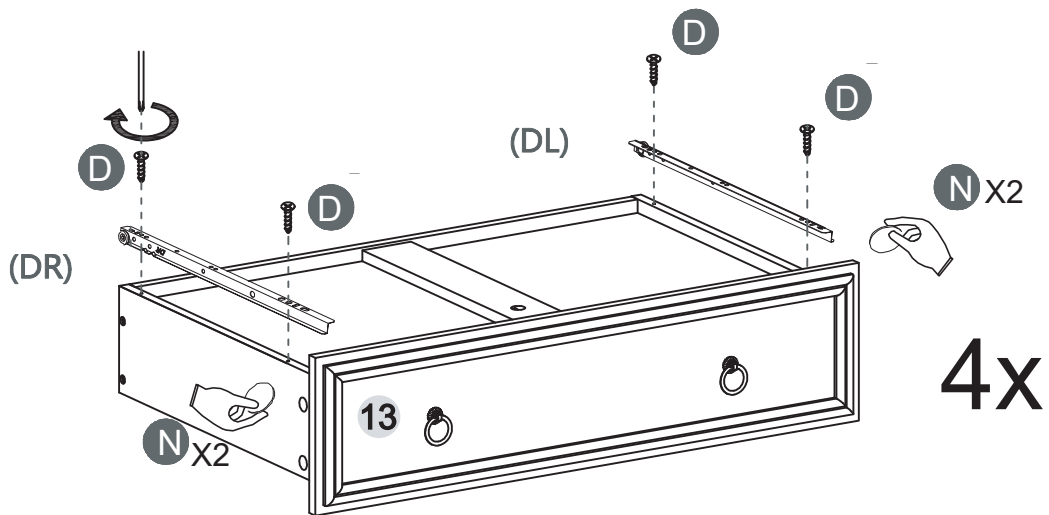
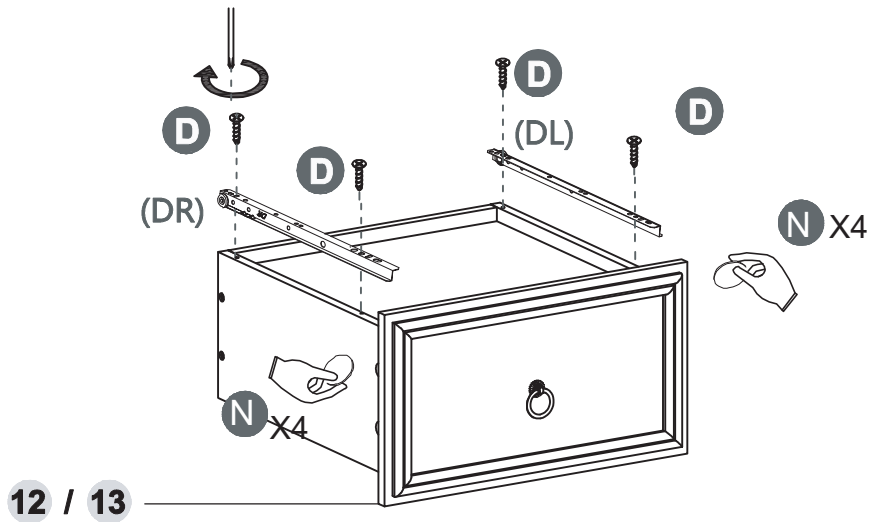
4x



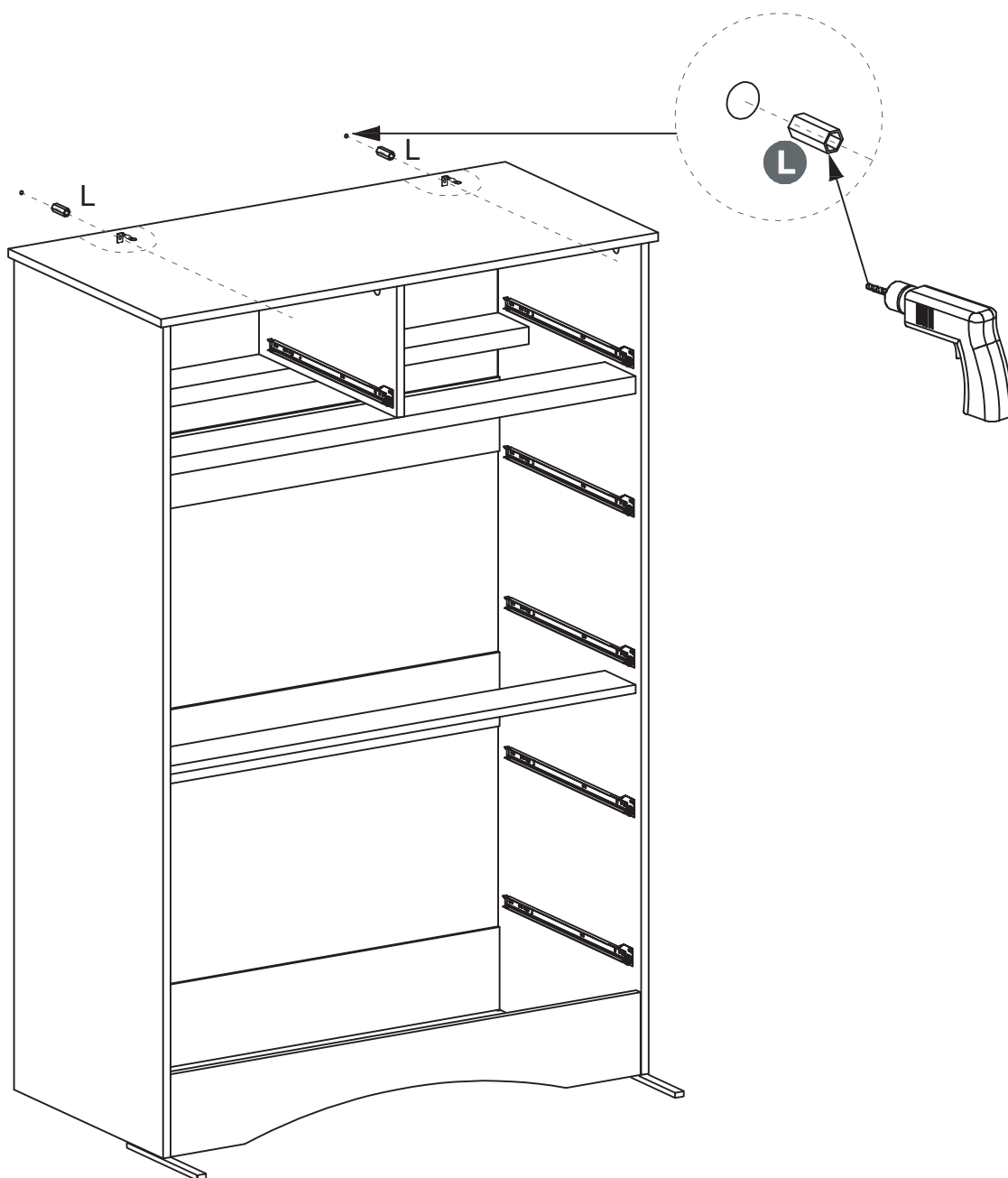
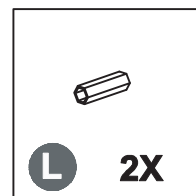
4x

# STEP 18

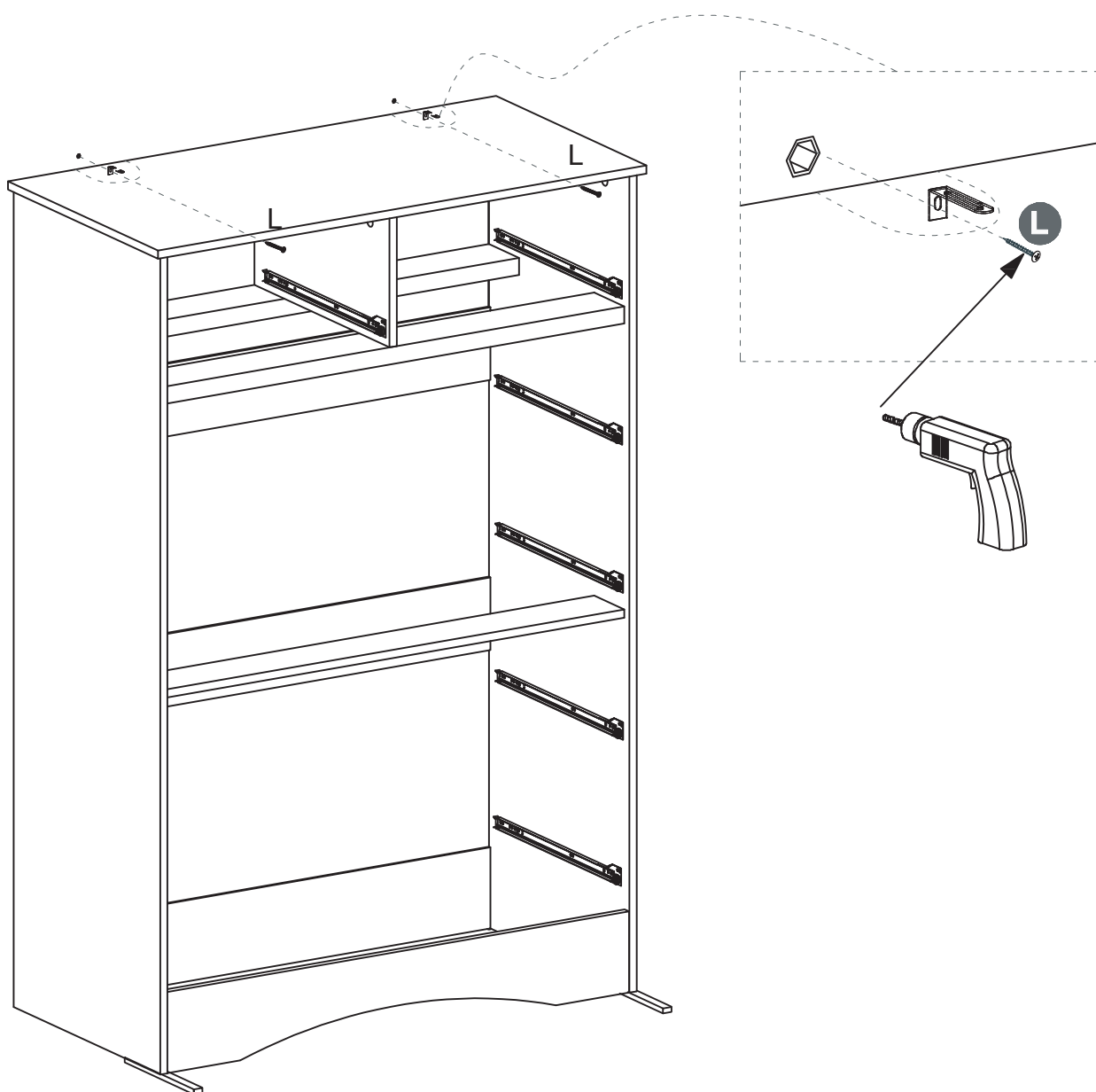
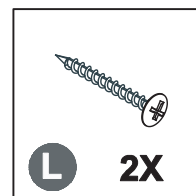
			
<b>N</b> 24X	<b>D</b> 24X	<b>DL</b> 6X	<b>DR</b> 6X



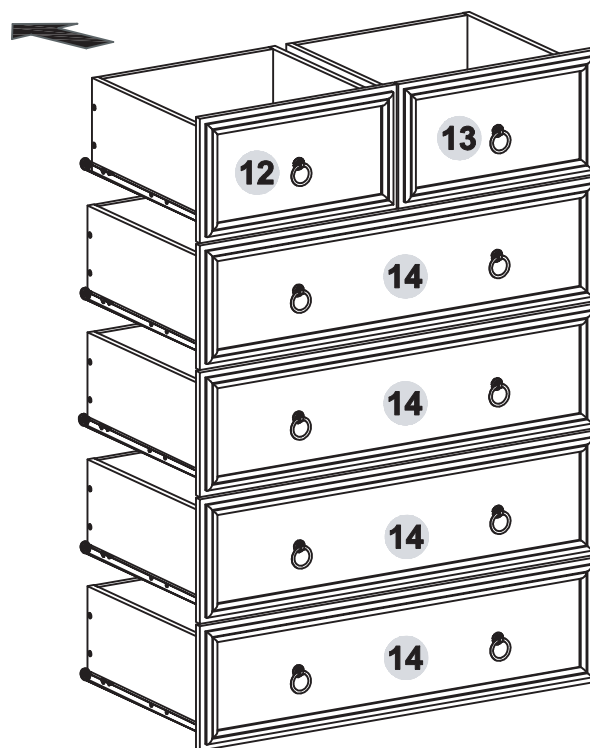
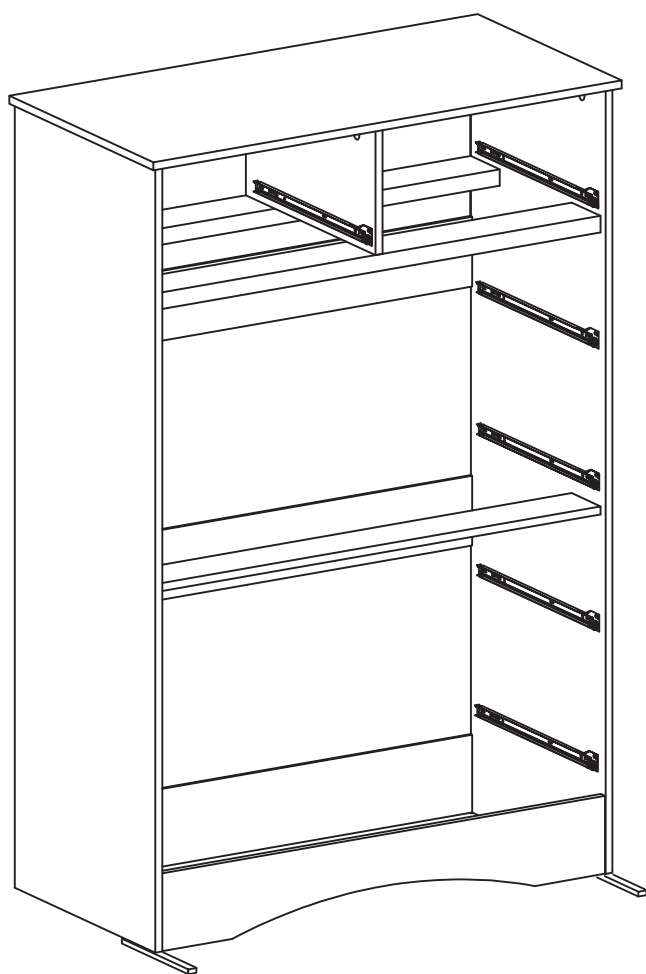
# STEP 19



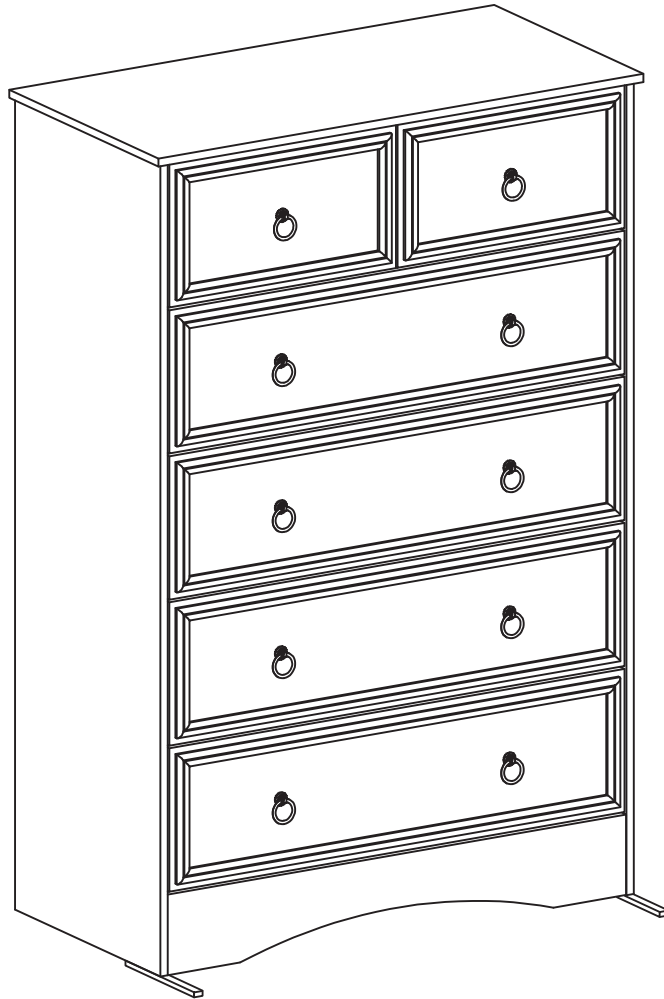
# STEP 20



# STEP 21



**STEP 22**



**Congratulations on doing it.**