





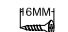

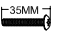



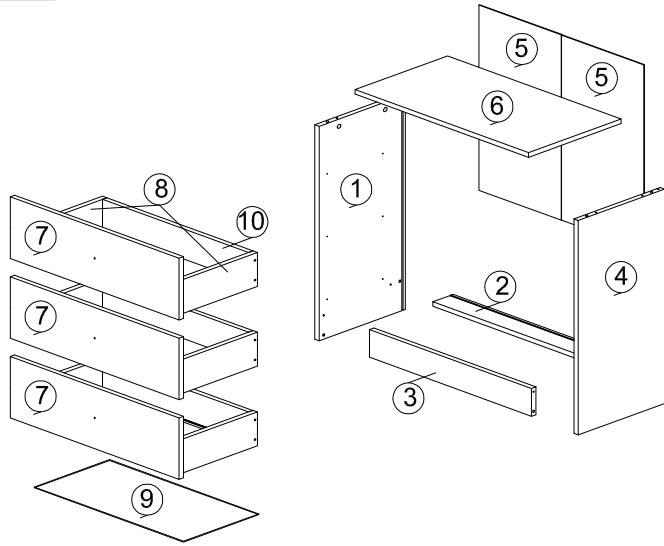


ASSEMBLY INSTRUCTION

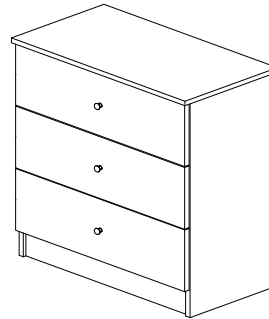
CHEST OF 3 DRAWERS

A  WOOD DOWEL 8 X 25	B  MINIFIX -15MM (HOUSING)	C  MINIFIX - 15MM (EURO 24)	D  MINIFIX CAP	E  L KEY	F  CB SCREW M4X24MM	G  CB SCREW M3,5X16MM	H  HANDLE 5022 (METAL)	I  HANDLE SCREW M4X35MM	J  DRAWER SLIDE 10" (CL/CR)	K  DRAWER SLIDE 10" (DL/DR)	L  3MM PVH ~ 592MM
--	---	--	---	--	--	--	--	---	--	--	---

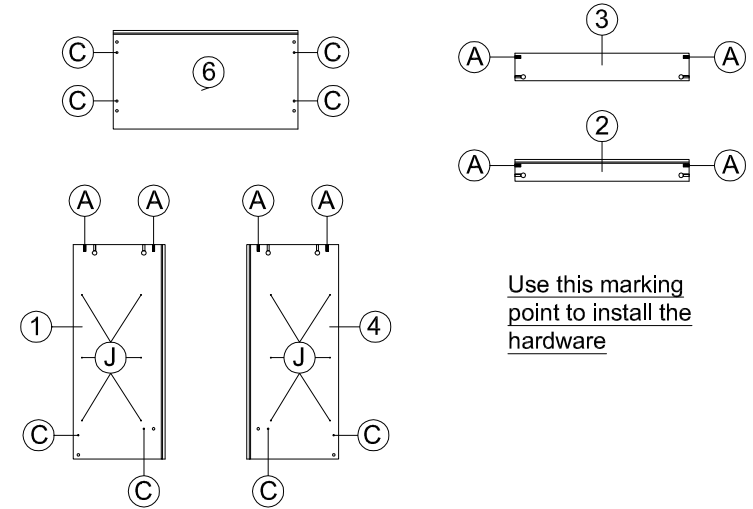
PART LIST



COMPLETED

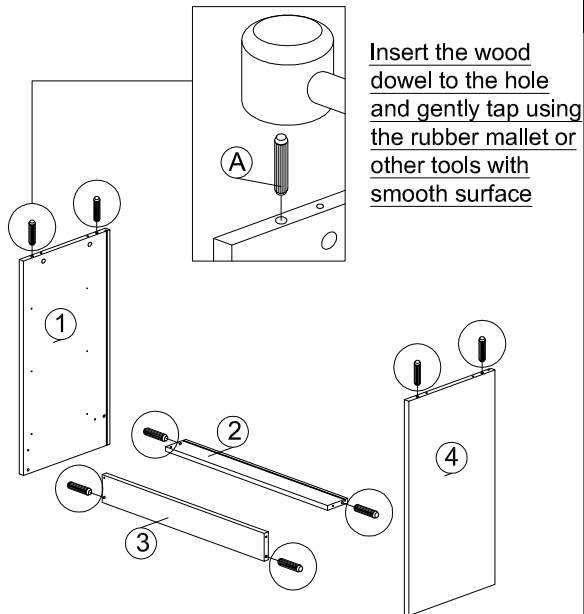


HARDWARE MARKING

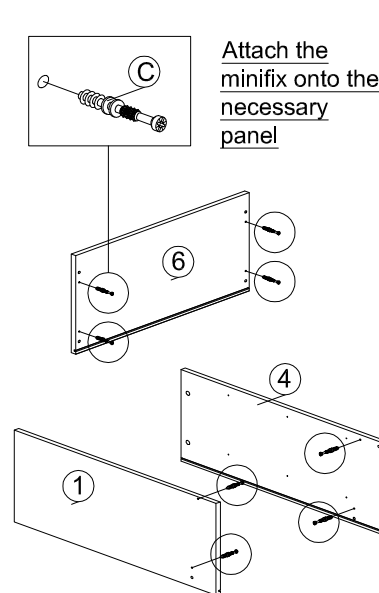


Use this marking point to install the hardware

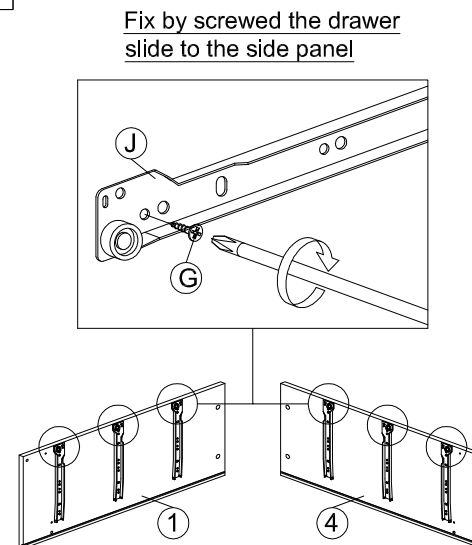
1



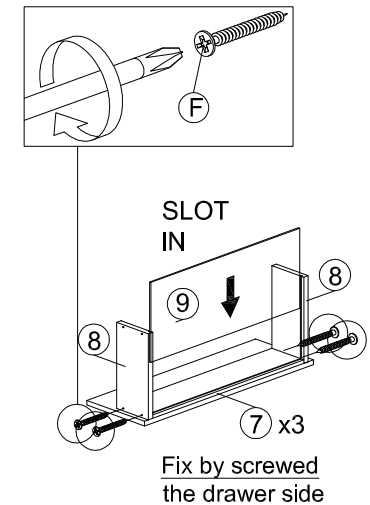
2



3



4

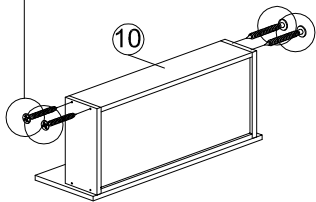
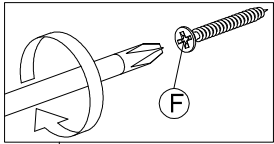


ASSEMBLY INSTRUCTION

CHEST OF 3 DRAWERS

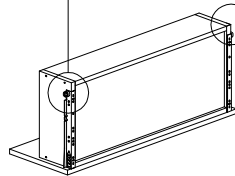
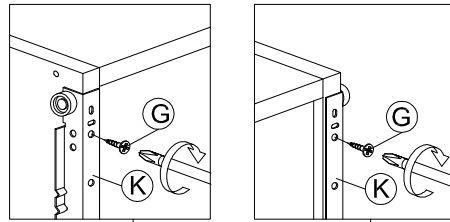
5

Fix by screwed the drawer back



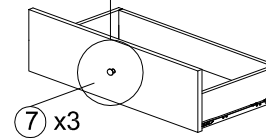
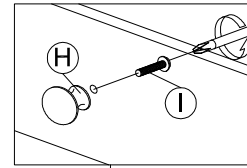
6

Fix by screwed a drawer slide to drawer bottom panel



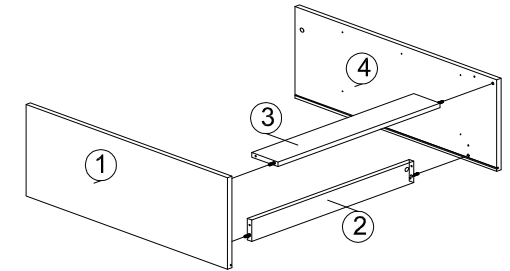
7

Fix handle knob to drawer head



8

Follow the number steps below to fix all joints.

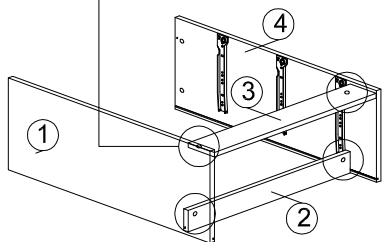
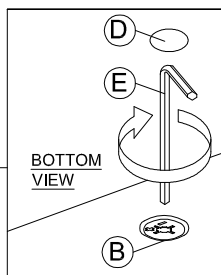
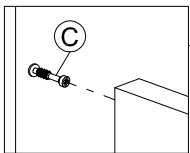


9

Step 2

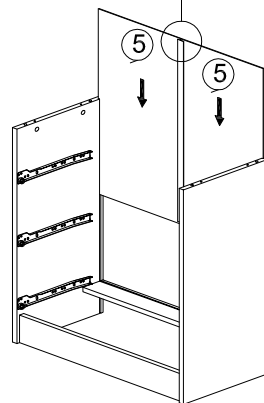
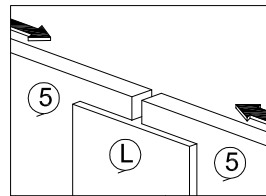
Insert the minifix (housing) and lock it by using L key. Then, press minifix cap to cover the hole.

Step 1
Join the panel with minifix (euro) tightly.



10

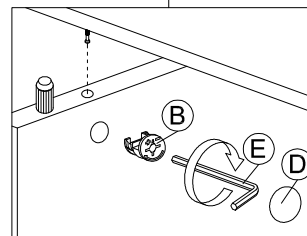
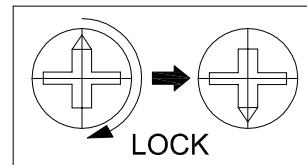
Insert the back panel in between PVH profile



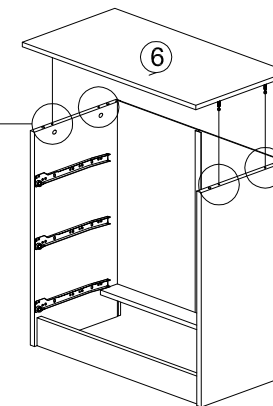
11

Step 2

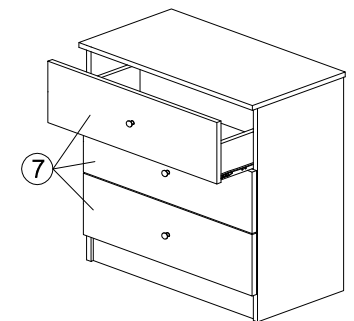
Fully lock by turn the minifix (housing) clockwise. Then, press minifix cap to cover the hole.



Step 1
Insert the minifix (housing) and lock it by using L key.



12



Insert all drawer