

## NOTICE

- \* Please make sure that you have all parts indicated and they are in good condition before you begin assembly of this item. Refer to part list and hardware list below for guidance.
- \* This item should be assembled on a soft surface to prevent scratching the finish during assembly.
- \* This item may require periodic tightening.
- \* If you are having difficulty, our friendly customer care team is always here to help.






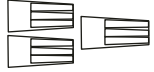
## PREPARATION

- \* Before beginning assembly of product, make sure all parts are present. Compare parts with part contents list and hardware contents list.
- \* If any part is missing or damaged, do not attempt to assemble the product.
- \* Estimated assembly time: 10 minutes.

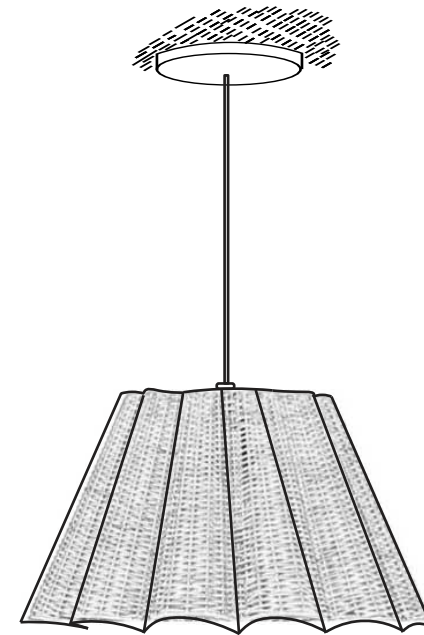
## CARE AND MAINTENANCE

- \* Avoid using harsh chemical cleaners or polish on your new item, to keep it clean just a quick dust with soft cotton towel or cloth will do the trick and will avoid damaging the finish or scratching the surface.

### Part List

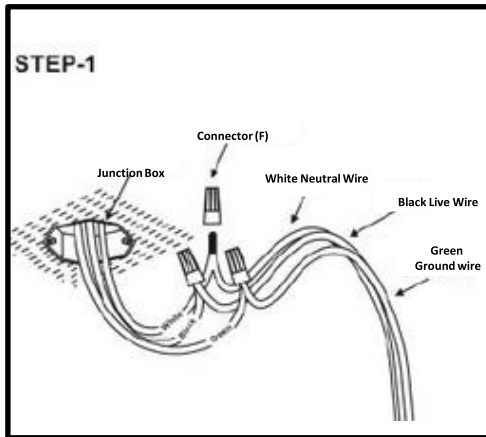
S NO.	DESCRIPTION	PICTURE	QUANTITY
A	CEILING CAP		1X
B	BRACKET		1X
C	LARGE SCREW M4 X 40 MM		1X
D	SMALL SCREW M4 X 16 MM		1X
E	HANGING LAMP		1X
F	PLASTIC WIRE CAP CONNECTOR		1X

Product Dimension: 30.48L x 30.48B x 19H CM



# PREPARATION

- \* Before beginning assembly of the product, make sure all parts are present. Compare parts with part contents list and hardware contents list.
- \* If any part is missing or damaged, do not attempt to assemble the product.
- \* Estimated Assemble Time: 10 minutes.
- \* If you're having any difficulty, our friendly Customer Care team is always here to help.

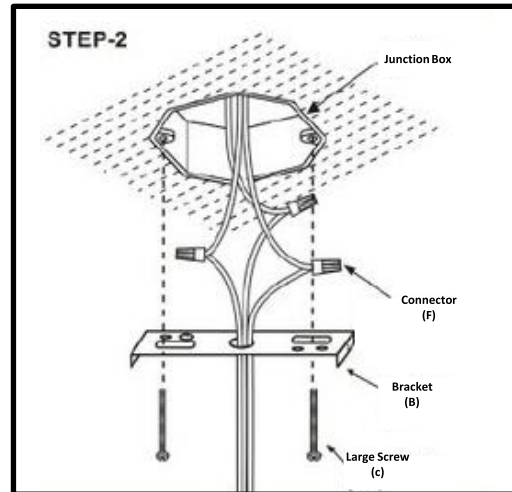


## STEP-1

NOTE:- Ensure that all wires are threaded through the centre hole of bracket (B) before proceeding.

Connect the white wire to the fixture's white Neutral Wire. Connect the Green/Yellow or Copper Ground Wire to the fixture's Green Ground Wire. Connect the Black/Brown Wire to the fixture's Black-live wire.

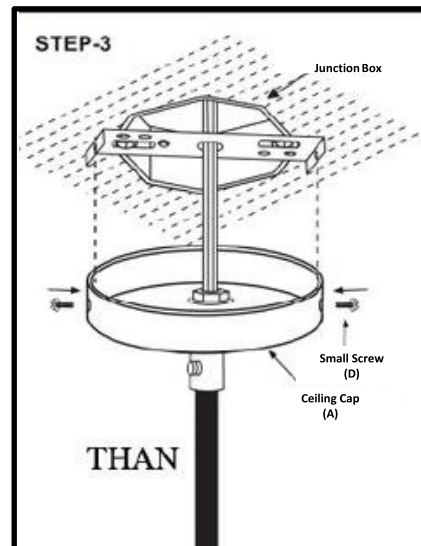
Fasten Each Connection together by inserting both ends of the paired wired into a plastic wire cap connector (F) and twisting until you feel resistance. Wrap the connection with electrical tape (not included) and make sure no wire strands are exposed.



## STEP-2

## STEP-2

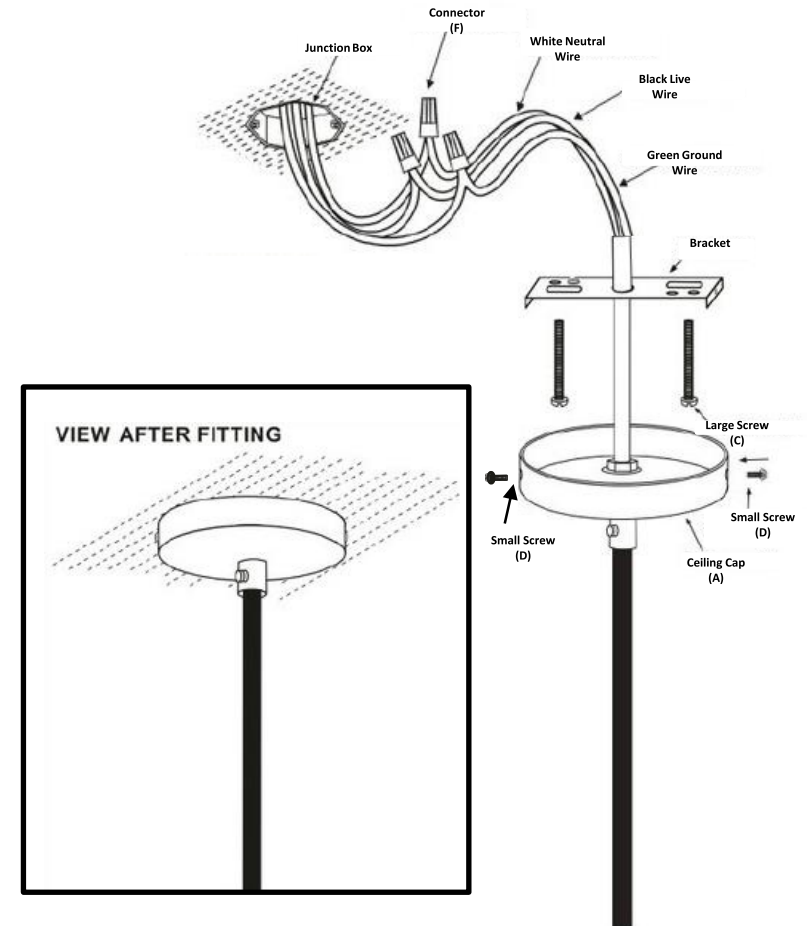
Align holes on the bracket (B) over Junction Box and Secure with Large Screws using a screwdriver ( not included)



## STEP-3

## STEP-3

Place Ceiling Cap (A) over Bracket (B) such that side holes are aligned of Ceiling Cap (A) & Bracket (B). Insert Small Screw (D) into side holes and tighten with the screwdriver ( not included).



## VIEW AFTER FITTING