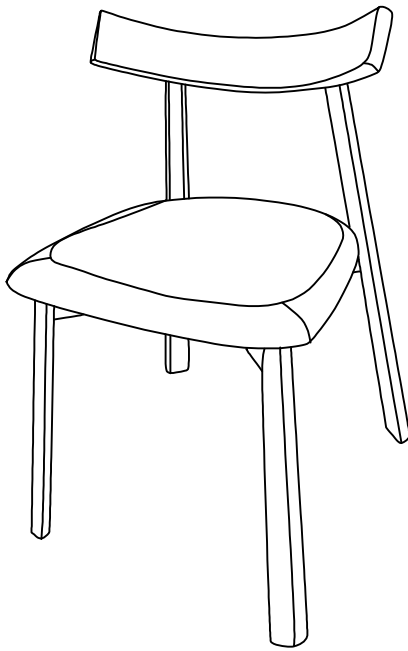


# INSTALLATION & ASSEMBLY



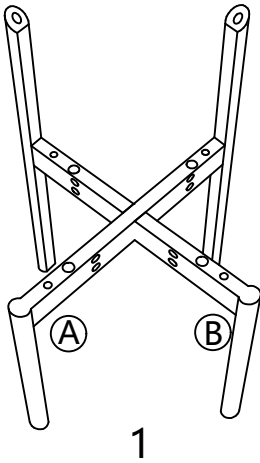
## Notice:

1. Follow the installation instructions. Please confirm all accessories are preset before installation.
2. Do not fully tighten the screws during install assembly. Fully tighten screws only once all pieces which are correct assembled.
3. If you encounter any problems during installation, please contact our customer service.

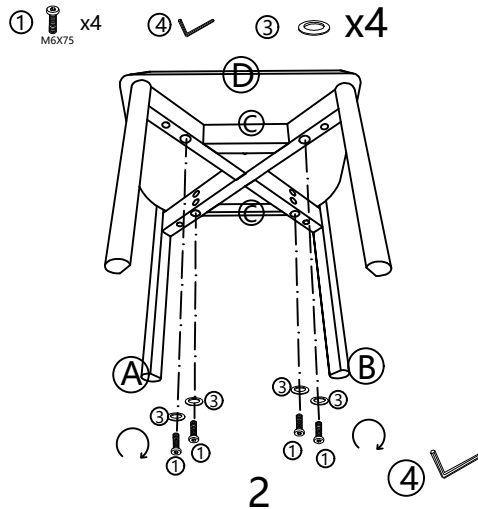
	Reference Image	Qty
(A)		x1
(B)		x1
(C)		x1
(D)		x1
(E)		x1

	Reference Image	Qty
①		x4
②		x10
③		x4
④		x1

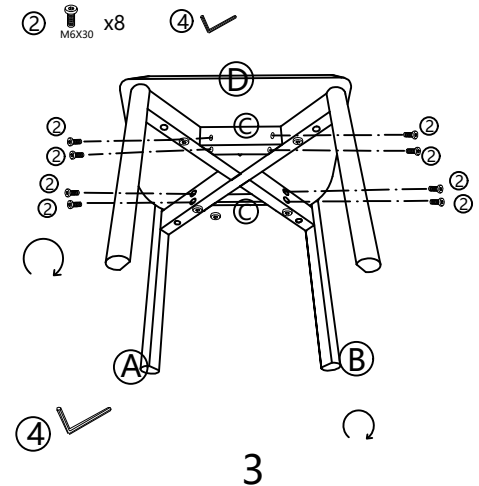
Please do not tighten the screws initially when installing them



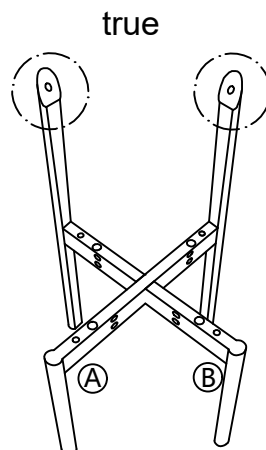
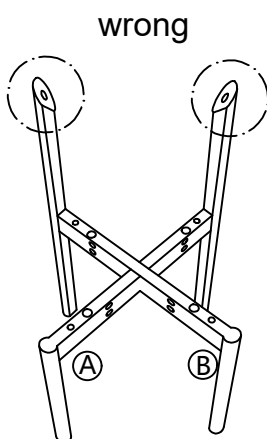
Please do not tighten the screws initially when installing them



Please do not tighten the screws initially when installing them



Notice:



4

After all screws are installed, tighten all screws

