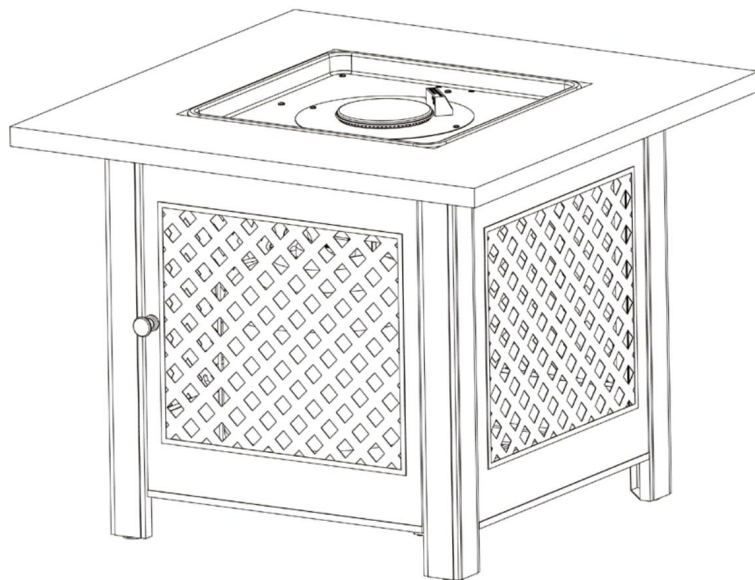


OWNER'S MANUAL

LP Gas Outdoor Fireplace



Made from 75% Bagasse
(Environmentally
Friendly Sugar Cane
Pulp By-product)



WARNING
FOR YOUR SAFETY:
For Outdoor Use Only (outside any enclosure)
Do Not Use For Cooking.

WARNING
FOR YOUR SAFETY:

- ▲ If the information in this manual is not followed exactly, a fire or explosion may result causing property damage, personal injury or loss of life.
- ▲ **WHAT TO DO IF YOU SMELL GAS:**
 - Do not try lighting any appliance.
 - Do not touch any electrical switch; do not use any phone in your building.
 - Immediately call your gas supplier from a neighbor's phone.
 - Follow the gas supplier's instructions.
 - If you cannot reach your gas supplier, call the fire department.
- ▲ Installation and service must be performed by a qualified installer, service agency or gas supplier.
- ▲ Save these instructions for future reference.
If you are assembling this unit for someone else, give this manual to him or her to read and save for future reference.

WARNING
FOR YOUR SAFETY:

- ▲ Improper installation, adjustment, alteration, service or maintenance can cause injury or property damage.
- ▲ Read the installation, operation and maintenance instructions thoroughly before installing or servicing this equipment.

DANGER

If you smell gas -

1. Shut off gas to appliance.
2. Extinguish any open flame.
3. Open lid.
4. If odor continues, keep away from the appliance and immediately call your gas supplier or your fire department.

WARNING
FOR YOUR SAFETY:

1. Do not store or use gasoline or other flammable liquids or vapors in the vicinity of this or any other appliance.
2. An LP cylinder not connected for use shall not be stored in the vicinity of this or any other appliance.

DANGER

Do not leave this appliance unattended while it is in operation.

DANGER

CARBON MONOXIDE HAZARD

- This appliance can produce carbon monoxide which has no odor.
- Using it in an enclosed space can kill you.
- Never use this appliance in an enclosed space such as a camper, tent, car or home.

Table of Contents	
Dangers and Warnings	Page 2
Exploded View & Hardware	4
Assembly Instructions	5
Installing LP Gas Tank	6
Insert LP Gas Tank	6
Secure LP Gas Tank	6
Connect LP Gas Tank	6
Disconnect LP Gas Tank	6
Operating Instructions	7
Checking for Leaks	7
Lighting	7
Turning Off	7
Cleaning and Care	7
Inspecting	7
Cleaning	7
Storing	7
Product Registration	8
Limited Warranty	8
Troubleshooting	9

The use and installation of this product must conform to local codes. In absence of local codes, use the latest edition of the *National Fuel Gas Code, ANSI Z223.1/NFPA 54*, or *International Fuel Gas Code*. This appliance, when installed, must be electrically grounded in accordance with local codes, or in the absence of local codes with the *National Electrical Code, ANSI/NFPA 70*, if applicable.

DANGERS and WARNINGS: FOR YOUR SAFETY

- ▲ **DANGER:** Failure to follow the dangers, warning and cautions in this manual may result in serious bodily injury or death, or in a fire or an explosion causing damage to property.
- ▲ **WARNING:**
- ▲ This appliance is for outdoor use only, and shall NOT be used in a building, garage or any other enclosed area.
 - ▲ Do NOT operate, light or use this appliance within ten (10) feet (3.05 m) of walls, structures or buildings.
 - ▲ For residential use only. This outdoor fireplace is NOT for commercial use.
 - ▲ This outdoor fireplace is safety certified for use in the United States and/or Canada only. Do not modify for use in any other location. Modification will result in a safety hazard.
 - ▲ Do NOT use this outdoor fireplace for indoor heating. TOXIC carbon monoxide fumes can accumulate and cause asphyxiation.
 - ▲ Apartment Dwellers: Check with management to learn the requirements and fire codes for using an LP gas outdoor fireplace in your apartment complex. If allowed, use outside on the ground floor with a ten (10) foot (3.05 m) clearance from any structure. Do not use on or under balconies.
 - ▲ This outdoor fireplace is for use with liquid propane (LP) gas only. The conversion to or attempted use of natural gas in this outdoor fireplace is dangerous and will void your warranty.
 - ▲ LP gas is flammable and hazardous if handled improperly. Become aware of the characteristics before using any LP gas product.
 - a. LP gas is explosive under pressure, heavier than air, and settles and pools in low areas.
 - b. LP gas in its natural state has no odor. For your safety, an odorant is added that smells like rotten cabbage.
 - c. Contact with LP gas can cause freeze burns to skin.
 - ▲ LP gas tank needed to operate. Only tanks marked "propane" may be used.
 - a. The LP gas supply tank must be constructed and marked in accordance with the *Specifications for LP gas LP gas tanks of the U.S. Department of Transportation (DOT) or the National Standard of Canada, CAN/CSA-B339, LP gas tanks, Spheres and Tubes for the Transportation of Dangerous Goods; and Commission.*
 - b. LP gas tank must be arranged for vapor withdrawal.
 - c. The LP gas tank must have a listed overfilling prevention device (OPD) and a QCCI or Type I (CGA810) LP gas tank connection.
 - d. The LP gas tank must have a tank collar to protect the tank valve.
 - e. Never use an LP gas tank with a damaged body, valve, collar or footing.
 - f. Dented or rusted LP gas tanks may be hazardous and should be checked by your LP gas supplier prior to use.
 - g. The LP gas tank should not be dropped or handled roughly.
 - h. Tanks must be stored outdoors, out of the reach of children and must not be stored in a building, garage or any other enclosed area. Your LP gas tank must never be stored where temperatures can reach over 125°F.
 - i. Do not insert any tool or foreign object into the valve outlet or safety relief valve. You may damage the valve and cause a leak. Leaking propane may result in explosion, fire, severe personal injury or death.
 - j. Never keep a filled LP gas tank in a hot car or car trunk. Heat will cause the gas pressure to increase, which may open the relief valve and allow gas to escape.
 - k. Place dust cap on valve outlet whenever the LP gas tank is not in use. Only install the type of dust cap on the LP gas tank valve outlet that is provided with the LP gas tank valve. Other types of caps or plugs may result in leakage of propane.
 - l. Do not store a spare LP gas tank under or near this appliance.
 - m. Never fill the tank beyond 80 percent full.
 - ▲ Your outdoor fireplace has been checked at all factory connections for leaks. Recheck all connections as described in the "Operating Instructions" section of this manual, as movement in shipping can loosen connections.
 - ▲ Check for leaks even if your unit was assembled for you by someone else.
 - ▲ Do not operate if gas leak is present. Gas leaks may cause a fire or explosion.
 - ▲ You must follow all leak-checking procedures before operating. To prevent fire or explosion hazard when testing for a leak:
 - a. Always perform leak test before lighting the outdoor fireplace and each time the tank is connected for use.
 - b. No smoking. Do not use or permit sources of ignition in the area while conducting a leak test.
 - c. Conduct the leak test outdoors in a well-ventilated area.
 - d. Do not use matches, lighters or a flame to check for leaks.
 - e. Do not use outdoor fireplace until any and all leaks are corrected. If you are unable to stop a leak, disconnect the LP gas supply. Call a gas appliance serviceman or your local LP gas supplier.
 - ▲ Do not store or use gasoline or other flammable liquids or vapors within 25 feet (7.62 m) of this appliance.
 - ▲ Do not use in an explosive atmosphere. Keep outdoor fireplace area clear and free from combustible materials, gasoline and other flammable vapors and liquids.
 - ▲ This outdoor fireplace is NOT to be operated by children.
 - ▲ This outdoor fireplace is NOT to be used in or on boats or recreational vehicles.
 - ▲ Do NOT connect to a remote gas supply.
 - ▲ Never attempt to attach this outdoor fireplace to the self-contained LP gas system of a camper trailer, motor home or house.
 - ▲ Always use in accordance with all applicable local, state and national codes. Contact your local fire department for details on outdoor burning.
 - ▲ When using this outdoor fireplace, exercise the same precautions you would with any open fire.
 - ▲ The use of alcohol, prescription or non-prescription drugs may impair the consumer's ability to properly assemble or safely operate this outdoor fireplace.
 - ▲ Do NOT use this outdoor fireplace without reading the entire "Owner's Manual".
 - ▲ Do NOT burn solid fuels such as: wood, charcoal briquets, lump charcoal, manufactured logs, driftwood, trash, leaves, paper, cardboard, plywood, painted or stained or pressure treated wood in this outdoor fireplace.
 - ▲ It is essential to keep the outdoor fireplace's valve compartment, burners, and circulating air passages clean. Inspect outdoor fireplace before each use.
 - ▲ Do NOT use this outdoor fireplace until it is COMPLETELY assembled and all parts are securely fastened and tightened.
 - ▲ Do NOT use this outdoor fireplace near automobiles, trucks, vans or recreational vehicles.
 - ▲ Do NOT use this outdoor fireplace under any overhead or near any unprotected combustible constructions. Avoid using near or under overhanging trees and shrubs.
 - ▲ Always use this outdoor fireplace on a hard, level, non-combustible surface such as concrete, rock or stone. An asphalt or blacktop surface may not be acceptable for this purpose.
 - ▲ Do NOT use this outdoor fireplace for cooking.
 - ▲ Do NOT use this outdoor fireplace if any part has been under water. Immediately call a qualified service technician to inspect the appliance and to replace any part or control system and any gas control which has been under water.
 - ▲ Do NOT wear flammable or loose clothing when operating this outdoor fireplace.
 - ▲ Do NOT use in windy conditions.
 - ▲ Never lean over this outdoor fireplace when lighting or when in use.
 - ▲ Do NOT use this outdoor fireplace unless burner is securely in place.
 - ▲ Keep all electrical cords away from outdoor fireplace during use.
 - ▲ Certain areas of this outdoor fireplace when in use will become too hot to touch. To avoid burns, do not touch hot surfaces until the unit has cooled (about 45 minutes) unless you are wearing protective gear (insulated pot holder or heat resistant gloves or mittens).

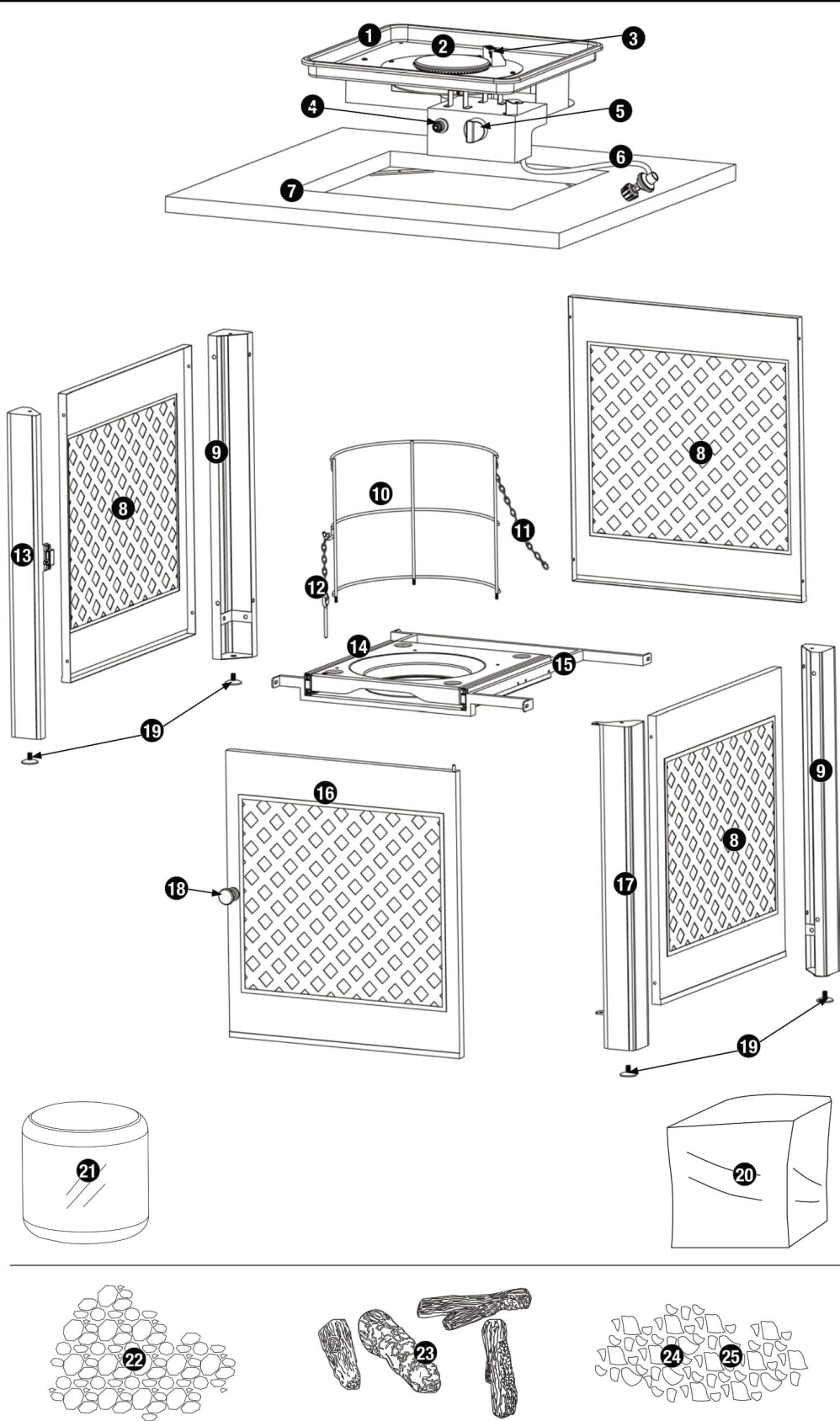
- ▲ Do NOT leave a lit outdoor fireplace unattended, especially around children and pets.
- ▲ Children and adults should be alerted to the hazards of high surface temperatures and should stay away to avoid burns or clothing ignition.
- ▲ Young children should be carefully supervised when they are in the area of the appliance.
- ▲ Clothing or other flammable materials should not be hung from the appliance or placed on or near the appliance.
- ▲ Any guard or other protective device removed for servicing the appliance must be replaced prior to operating the appliance.
- ▲ Cover must be removed when burner is in operation.
- ▲ Do not attempt to move outdoor fireplace when in use. Allow the outdoor fireplace to cool before moving or storing.
- ▲ This outdoor fireplace should be thoroughly cleaned and inspected on a regular basis. Clean and inspect the hose before each use of the appliance. If there is evidence of abrasion, wear, cuts, or leaks, the hose must be replaced prior to the appliance being put into operation.
- ▲ This outdoor fireplace should be inspected at least annually by a qualified service person. Depending on amount of use, more frequent cleaning may be required. Do not operate until all parts have been repaired or replaced.
- ▲ Use only the regulator and hose assembly provided. The replacement regulator and hose assembly shall be that specified by the manufacturer.
- ▲ Use only Blue Rhino Global Sourcing, Inc factory authorized parts. The use of any part that is NOT factory authorized can be dangerous and will void your warranty.
- ▲ Storage of this outdoor fireplace indoors is permissible only if the tank is disconnected, removed from the outdoor fireplace and properly stored outdoors.
- ▲ Do not attempt to disconnect the gas regulator from the tank or any gas fitting while the outdoor fireplace is in use.
- ▲ If the outdoor fireplace is not in use, the gas must be turned off at the supply tank.
- ▲ The pressure regulator is set for 11 inches of water column (pressure).
- ▲ The maximum inlet gas pressure for this outdoor fireplace is 11 inches of water column pressure.
- ▲ Turn LP gas tank valve closed, disconnect gas regulator prior and during pressure testing of the gas supply piping system at test pressures equal to or less than 1/2 psi (3.5 kPa).
- ▲ Do NOT sit on the mantle.
- ▲ Do not throw anything onto the fire when the unit is in operation.
- ▲ Fire logs and lava rock are very hot, keep the children or pets away at a safe distance.
- ▲ The opening of the tank collar should face toward the door side for easy access.
- ▲ Do NOT store any combustible materials in the base enclosure.
- ▲ Use protective gloves when assembling this product.
- ▲ Do not force parts together as this can result in personal injury or damage to the product.
- ▲ Deaths, serious injury or damage to property may occur if the above is not followed exactly.

Parts List

1	Bowl Assembly*	58-22-024
2	Burner*	58-22-001
3	Igniter*	55-05-441
4	Igniter Button*	55-05-442
5	Control Knob*	55-05-436
6	Regulator/Hose Assembly*	58-22-003
7	Hearth	58-22-025
8	Panel (3)	58-22-026
9	Rear Leg (2)	58-22-027
10	LP Gas Tank Support	55-05-458
11	LP Gas Tank Support Chain	55-05-447
12	LP Gas Tank Tray Chain	55-05-449
13	Left Front Leg	58-22-028
14	LP Gas Tank Tray*	55-05-448
15	Base*	58-22-029
16	Door	58-22-030
17	Right Front Leg	58-22-031
18	Door Handle*	55-05-697
19	Foot (4)	55-05-692
20	Cover	58-22-042
21	LP Gas Tank Cover	55-05-737
22	Lava Rocks (sold separately) †	
23	Logs (sold separately) †	
24	Bronze Glass Rocks †	GLS-BRZ
25	Glass Rocks (sold separately) †	

* Pre-assembled
 † Only use Blue Rhino Global Sourcing, Inc. products.

Exploded View



Hardware

A	Screw	M5x12 Nickel Plated Truss Head	25 pcs
B	Screw	M5x16 Nickel Plated Step Head	1 pc
C	Wing Nut	M5 Zinc Plated	3 pcs
D	AA Battery	1.5 V AA Battery	1 pc

Tools Required for Assembly (Not Included)

#2 Phillips Head Screwdriver	1 pc
------------------------------	------

Assembly Instructions

1

For Easiest Assembly:

- To avoid losing any small components or hardware, assemble your product on a level surface that does not have cracks or openings.
- Clear an area large enough to layout all components and hardware and that is soft to not scratch or damage any surface finishes.
- When applicable, tighten all hardware connections by hand first. Once the step is completed go back and fully tighten all hardware while being cautious not to over tighten to avoid damaging surfaces or stripping hardware.
- Follow all steps in order to properly assemble your product.

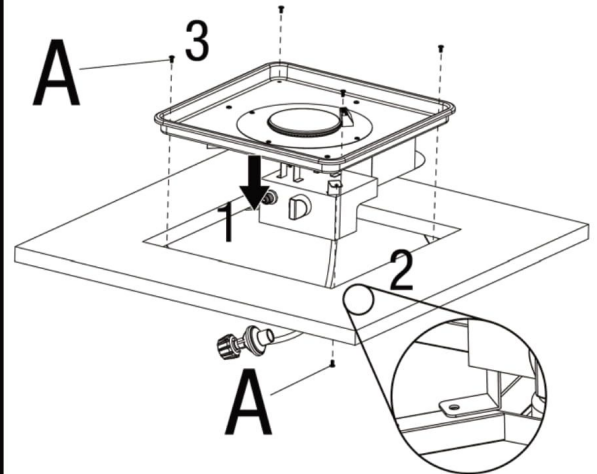
To complete assembly you will need:

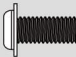
- (1) Leak Detection Solution (Instructions on how to make solution are included in the "Operating Instructions" section of this manual)
- (1) Precision Filled LP Gas Grill Tank with Acme Type 1 external threaded valve connection (4-5 gallon size)

Typical assembly: approximately 1 (one) hour.

2

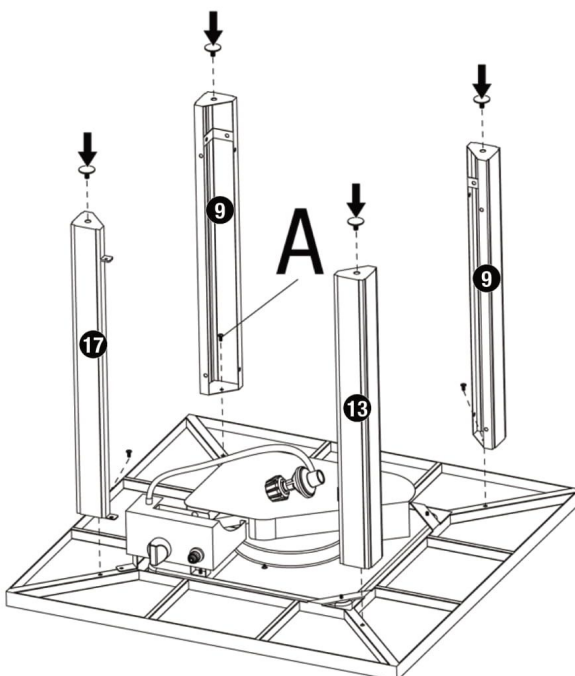
Attach Bowl Assembly



A  x 5

3

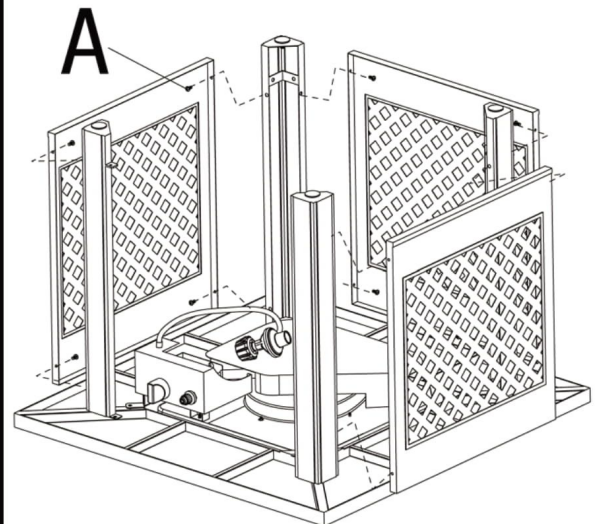
Attach Legs and Feet



A  x 4

4

Attach Panels

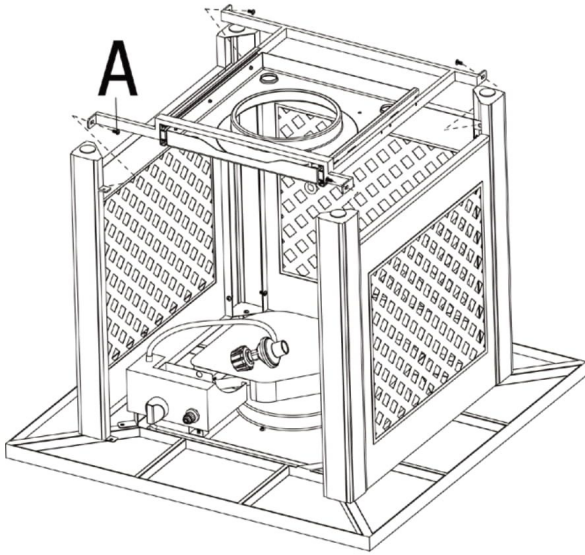


A  x 12

Assembly Instructions (continued)

5

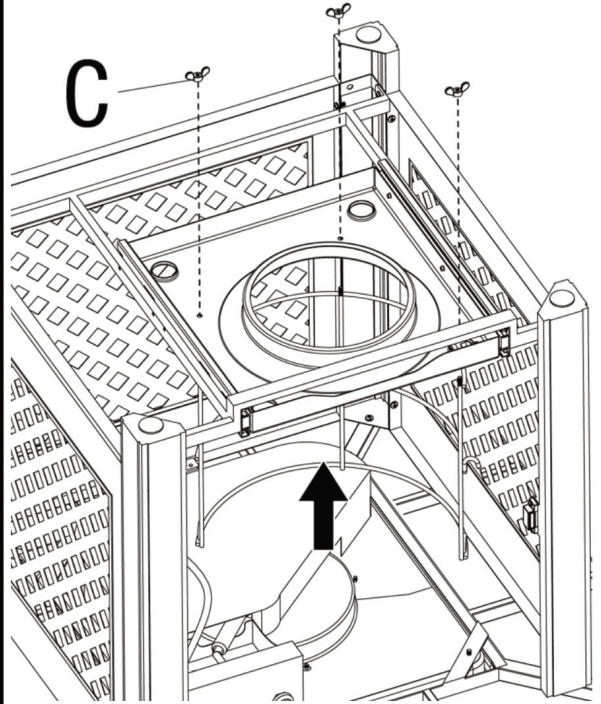
Attach Base



A  x4

6

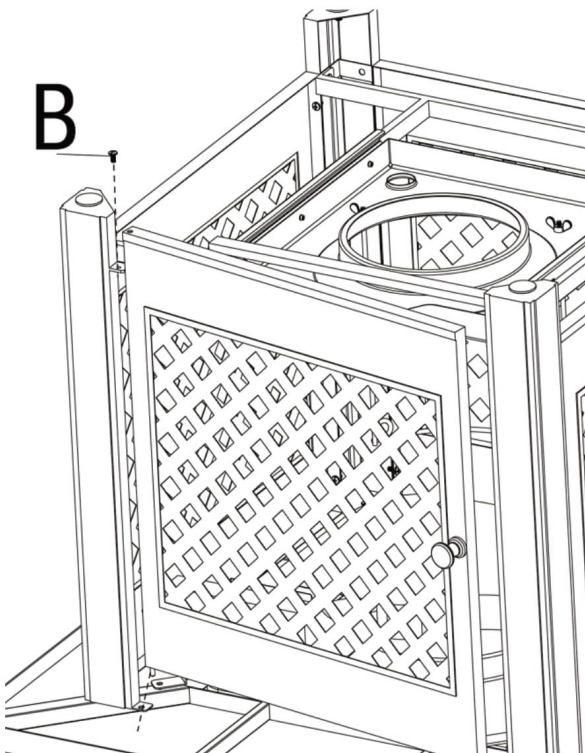
Attach LP Gas Tank Support



C  x3

7

Attach Door

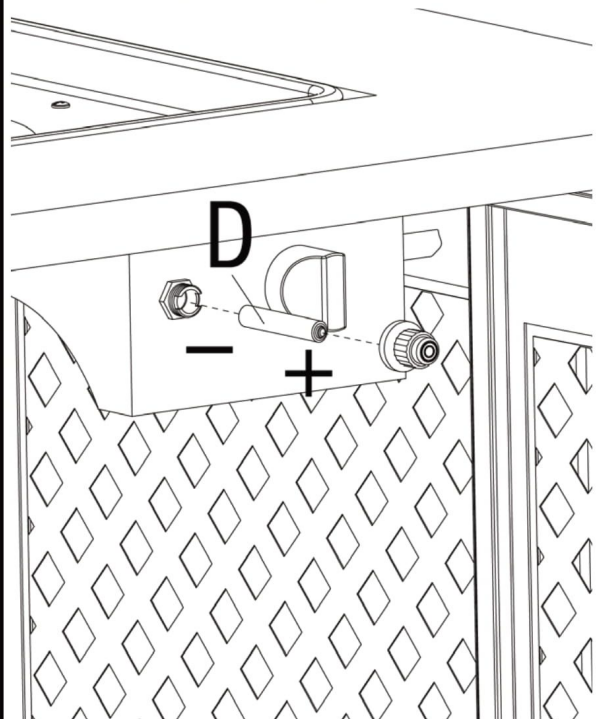


B  x1

8

Insert Battery

Note: Remove plastic wrapper before installing battery.



D  x1

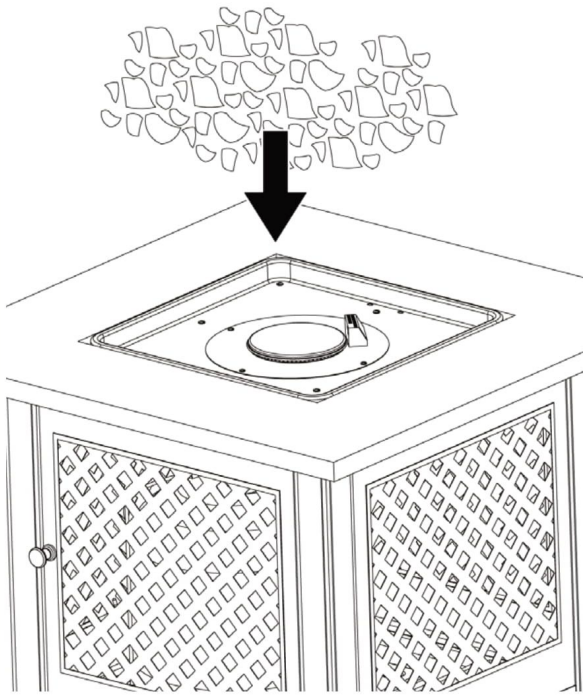
9

Place Glass Rocks

▲ **Caution:** Do NOT dump glass rocks out of package. Carefully place glass rocks by hand so dust does not clog burner.

▲ **Caution:** Do NOT cover pilot housing.

Note: Glass rocks should be 0.4-1.2 in. (1-3 cm) long. Approx. 14.5 lbs. (6.6 kg) of glass rocks are needed.

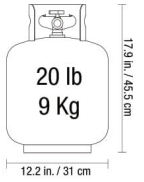


Installing LP Gas Tank

To operate you will need (1) precision-filled standard grill LP gas tank (20#) with external valve threads.

Note: An empty standard grill LP gas tank weighs approximately 18 lbs. A precision-filled standard grill LP gas tank should weigh no more than 38 lbs.

▲ **Caution:** LP gas tank must be properly disconnected and removed prior to moving this grill.

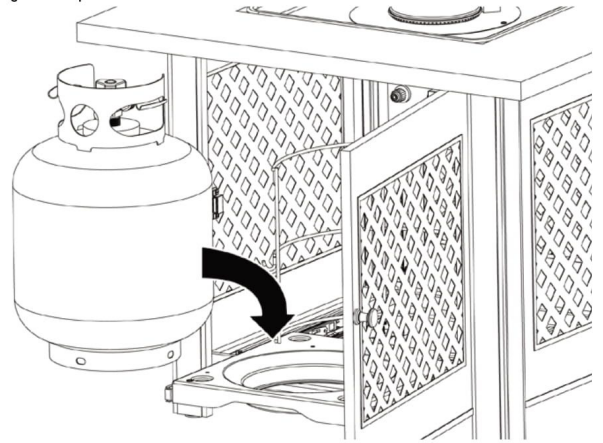


Need a tank of gas? Try tank exchange service. It's easy, fast, safe, and available at tens of thousands of conveniently located retail outlets nationwide. You can purchase a new full tank or exchange your empty for a precision filled one.

Insert LP Gas Tank

▲ **WARNING:** Make sure LP gas tank valve is closed. Close by turning valve clockwise.

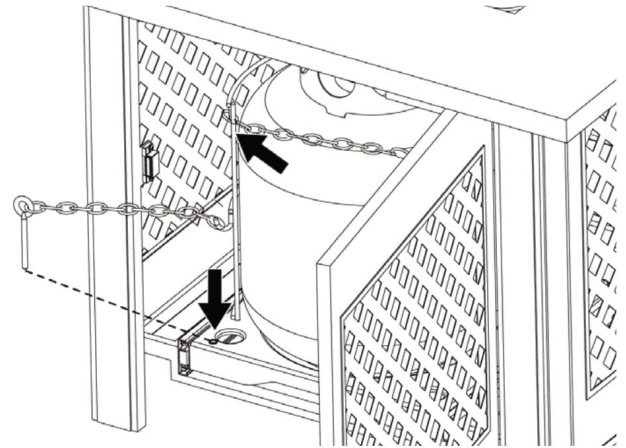
Place precision filled LP gas tank upright into hole in the base of the outdoor fireplace so it is arranged for vapor withdrawal.



Secure LP Gas Tank

Secure tank by sliding tank retainer chain around the LP gas tank and insert peg into LP gas tank tray.

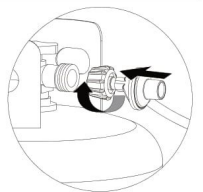
Note: Peg must be inserted into LP gas tank when tank is in LP gas tank tray.



Connect LP Gas Tank

Before connecting, be sure that there is no debris caught in the head of the LP gas tank, head of the regulator valve or in the head of the burner and burner ports.

Connect regulator/hose assembly to tank by turning knob clockwise until it stops.

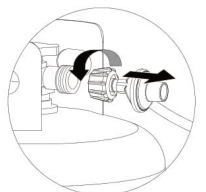


Disconnect LP Gas Tank

Before disconnecting make sure the LP gas tank valve is "CLOSED".

Disconnect regulator/hose assembly from LP gas tank by turning knob counterclockwise until it is loose.

▲ **Caution:** LP gas tank must be properly disconnected and removed prior to moving this grill.



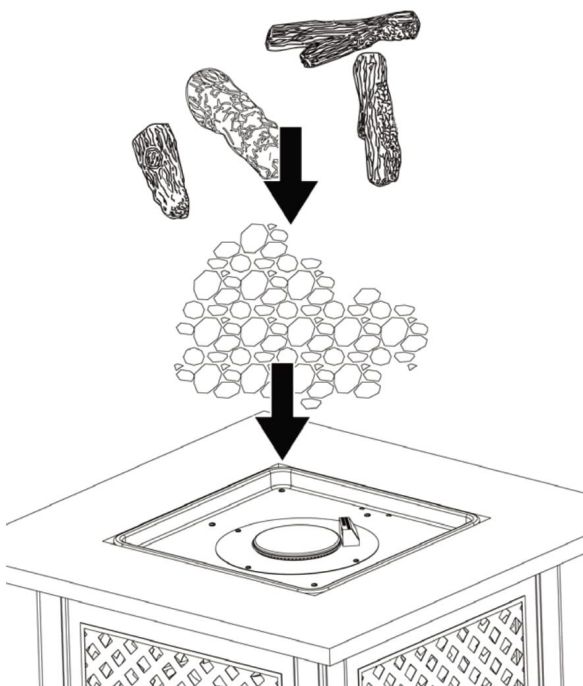
10

Place Lava Rocks and Logs (sold separately)

▲ **Caution:** Do NOT dump lava rocks out of package. Carefully place lava rocks by hand so dust does not clog burner.

▲ **Caution:** Do NOT cover pilot housing.

Note: Lava rocks should be 0.8-2.0 in. (2-5 cm) long. Approx. 9.92 lbs. (4.5 kg) of lava rocks are needed.



Operating Instructions

Checking for Leaks

⚠ WARNING: Before using this outdoor fireplace, make sure you have read, understand and are following all information provided in the Dangers and Warnings presented on page 2. Failure to follow those instructions can cause death, serious injury or property damage.

Burner Connections

1. Make sure the regulator valve and hose connections are securely fastened to the burner and the tank.

If your unit was assembled for you, visually check the connection between the burner venturi pipe and orifice. Make sure the burner venturi pipe fits over the orifice.

⚠ WARNING: Failure to inspect this connection or follow these instructions could cause a fire or an explosion which can cause death, serious bodily injury, or damage to property.

2. Please refer to diagram for proper installation. (Figures 1 and 2)
3. If the burner pipe does not rest flush to the orifice, please contact 1.800.762.1142 for assistance.

Tank/Gas Line Connection

1. Make 2-3 oz. of leak solution by mixing one part liquid dishwashing soap with three parts water.
2. Make sure control knobs are "OFF" position. (Figure 3)
3. Connect LP gas tank per "Installing LP Gas Tank" section.
4. Turn LP gas tank valve to "OPEN".
3. Spoon several drops of solution, or use squirt bottle, at all "X" locations (Figures 1 and 2).
 - a. If any bubbles appear remove the LP gas tank and reconnect, making sure the connection is secure.
 - b. If you continue to see bubbles after several attempts, remove the LP gas tank per "Disconnect LP Gas Tank" instructions, and contact 1.800.762.1142 for assistance.
 - c. If no bubbles appear after one minute, wipe away solution and proceed.

Lighting

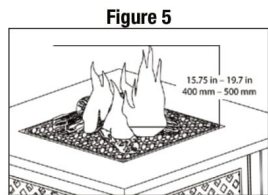
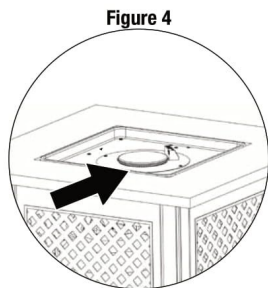
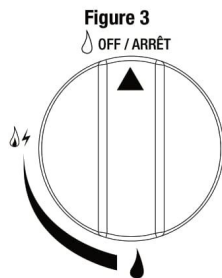
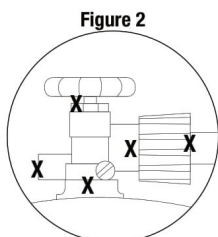
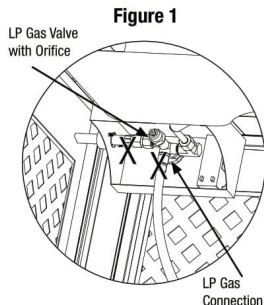
⚠ Caution: Keep outdoor gas cooking appliance area clear and free from combustible materials, gasoline and other flammable vapors and liquids.

⚠ Caution: Do not obstruct the flow of combustion and ventilation air.

⚠ Caution: Check and clean burner/venturi tubes for insects and insect nests. A clogged tube can lead to a fire beneath the grill.

⚠ Caution: Attempting to light the burner with the lid closed may cause an explosion.

1. Make sure all labels, packaging and protective films have been removed from the outdoor fireplace.
2. Make sure there are no obstructions of airflow to the burners. Spiders and insects can nest within and clog the burner / venturi tube at the orifice. A clogged burner tube can lead to a fire beneath the appliance.
3. Control knob must be in the OFF (OFF) position. (Figure 3)
4. Clear small area of glass rocks or lava rocks away from the pilot housing.
5. Connect LP gas tank per "Connect LP Gas Tank" instructions.
6. Turn LP gas tank valve to "OPEN".
7. Push and turn control knob to LOW (LOW).
8. Press the (electronic igniter) button and hold for up to 5 seconds to light the pilot.
9. Hold the control knob in for 20 seconds to heat thermocouple.
10. After 20 seconds, release and turn control knob counterclockwise to igniter burner and adjust flame to desired height.
11. If ignition does not occur in 5 seconds, turn control knob OFF (OFF), wait 5 minutes, and repeat lighting procedure.



12. If igniter does not light burner:

- a. Wearing heat resistant gloves, position a lit long match or long lit butane lighter near the pilot housing.
- b. Push and turn control knob counterclockwise to LOW (LOW).
- c. Remove long match/long butane lighter once lit.

⚠ CAUTION: After Lighting - Using a shovel and heat resistant gloves, carefully move the glass rocks or lava rocks back to their proper position, being careful to avoid the flame.

13. After lighting, observe the burner flame, make sure all burner ports are lit and flame height matches illustration. (Figure 5)

⚠ Caution: If burner flame goes out during operation, immediately turn the control knob OFF (OFF) and open lid to let the gas clear for 5 minutes before re-lighting.

Turning Off

1. Turn LP gas tank valve to "CLOSED".
2. Turn all control knobs to the "OFF" position.

Note: A "poof" sound is normal as the last of the LP gas is burned.
3. Disconnect LP gas tank per "Disconnect LP Gas Tank" instructions.

Cleaning and Care

⚠ CAUTION:

1. All cleaning and maintenance should be done when outdoor fireplace is cool and with the fuel supply disconnected.
2. DO NOT clean any outdoor fireplace part in a self cleaning oven. The extreme heat will damage the finish.
3. Do not enlarge valve orifices or burner ports when cleaning the valves or burners.

Notices

1. This outdoor fireplace should be thoroughly cleaned and inspected on a regular basis.
2. Abrasive cleaners will damage this product.
3. Never use oven cleaner to clean any part of outdoor fireplace.

Before Each Use:

1. Keep the outdoor fireplace area clean and free from any combustible materials, gasoline, and other flammable vapors and liquids.
2. Do not obstruct the flow of the combustion of LP and the ventilation air.
3. Keep the ventilation opening(s) of the LP gas tank area free and clear from debris.
4. Visually check the burner flames to make sure your outdoor fireplace is working properly.
5. See sections below for proper cleaning instructions.
6. Check all gas connections for leaks.
7. Check components for any signs of damage or rust.
8. Check and clean the burner/venturi tubes for insects and insect nests. A clogged tube can lead to a fire beneath the outdoor fireplace.
9. If damage to any component is detected, do NOT operate until repairs are executed.

Cleaning Surfaces

1. Wipe surfaces clean with mild dishwashing detergent or baking soda mixed with water.
2. For stubborn surfaces use a citrus based degreaser and a nylon scrubbing brush.
3. Rinse clean with water.
4. Allow to air dry.

Before Storing

1. Turn control knob to OFF (OFF) and LP gas tank valve to "CLOSED".
2. Clean all surfaces.
3. Lightly coat the burners with cooking oil to prevent excess rusting.
4. If storing the outdoor fireplace indoors, disconnect the LP tank, see "Disconnect LP Gas Tank" section, and leave the LP gas tank OUTDOORS.
5. Place the protective cap cover on the LP tank and store the tank outdoors in a well ventilated area out of direct sunlight.
6. Cover outdoor fireplace with a durable vinyl cover designed to fit this unit.
7. Store in a cool and dry location away from children and pets.

Limited Warranty

Vendor may require reasonable proof of your date of purchase. Therefore, you should retain your sales slip or invoice. This Limited Warranty shall be limited to the repair or replacement of parts, which prove defective under normal use and service and which Vendor shall determine in its reasonable discretion upon examination to be defective. Before returning any parts, you should contact Vendor's Customer Service Department using the contact information listed below. If Vendor confirms, after examination, a defect covered by this Limited Warranty in any returned part, and if Vendor approves the claim, Vendor will replace such defective part without charge. If you return defective parts, transportation charges must be prepaid by you. Vendor will return replacement parts to the original retail purchaser, freight or postage prepaid.

This Limited Warranty does not cover any failures or operating difficulties due to accident, abuse, misuse, alteration, misapplication, improper installation or improper maintenance or service by you or any third party, or failure to perform normal and routine maintenance on the product as set out in this owner's manual. In addition, the Limited Warranty does not cover damage to the finish, such as scratches, dents, discoloration, rust or other weather damage, after purchase.

This Limited Warranty is in lieu of all other express warranties. Vendor disclaims all warranties for products that are purchased from sellers other than authorized retailers or distributors, including the warranty of merchantability or the warranty of fitness for a particular purpose. VENDOR ALSO DISCLAIMS ANY AND ALL IMPLIED WARRANTIES, INCLUDING WITHOUT LIMITATION THE IMPLIED WARRANTIES OF MERCHANTABILITY AND FITNESS FOR A PARTICULAR PURPOSE. VENDOR SHALL HAVE NO LIABILITY TO PURCHASER OR ANY THIRD PARTY FOR ANY SPECIAL, INDIRECT, PUNITIVE, INCIDENTAL, OR CONSEQUENTIAL DAMAGES. Vendor further disclaims any implied or express warranty of, and assumes no responsibility for, defects in workmanship caused by third parties.

This Limited Warranty gives the purchaser specific legal rights; a purchaser may have other rights depending upon where he or she lives. Some jurisdictions do not allow the exclusion or limitation of special, incidental or consequential damages, or limitations on how long a warranty lasts, so the above exclusion and limitations may not apply to everyone.

Vendor does not authorize any person or company to assume for it any other obligation or liability in connection with the sale, installation, use, removal, return, or replacement of its equipment, and no such representations are binding on Vendor.

Troubleshooting

Problem	Possible Cause	Prevention/Cure
Burner will not light using ignitor	LP gas tank valve is closed	Make sure regulator is securely attached to the LP gas tank, turn LP gas tank valve to "OPEN"
	LP gas tank is low or empty	Replace or refill LP gas tank
	LP gas leak	1. Turn LP gas tank valve to "CLOSED" 2. Wait 5 minutes for gas to clear 3. Follow "Checking for Leaks" in the owner's manual
	Battery needs to be changed	Replace the "AA" battery (follow assembly step for inserting battery)
	Electrode and burners are wet	Wipe dry with cloth
	Electrode cracked or broken - sparks at crack	Replace electrode
	Wire loose or disconnected	Reconnect wire or replace electrode/wire assembly
	Wire is shorting (sparking) between ignitor and electrode	Replace ignitor wire/electrode assembly
	Bad ignitor	Replace ignitor
Burner will not light with match	No gas flow	Check if LP gas tank is empty A. If empty, replace or refill B. If LP gas tank is not empty, refer to "Sudden drop in gas flow or reduced flame height"
	LP gas tank is low or empty	Replace or refill LP gas tank
	LP gas leak	1. Turn LP gas tank valve to "CLOSED" 2. Wait 5 minutes for gas to clear 3. Follow "Checking for Leaks" in the owner's manual
	Coupling nut and regulator not fully connected	Turning the coupling nut about one-half to three quarters additional turn until solid stop. Tighten by hand only-do not use tools.
	Obstruction of gas flow	1. Clear burner tubes 2. Check for bent or kinked hose
	Disengagement of burner to valve	Reengage burner and valve
	Spider webs or insect nest in venturi	Clean venturi and burner tube
		Burner ports clogged or blocked
Sudden drop in gas flow or reduced flame height	Out of gas	Replace or refill LP gas tank
	Excess flow; safety device may have been activated	1. Turn control knob to "OFF 🔼" 2. Wait 30 seconds and light outdoor fireplace. 3. If flames are still too low, reset the excessive flow safety device: a. Turn control knob(s) "OFF 🔼" b. Turn LP gas tank valve to "CLOSED" c. Disconnect regulator d. Turn control knob to 🔼 (HIGH) e. Wait 1 minute f. Turn control knob to "OFF 🔼" g. Reconnect regulator and leak check connections. h. Slowly turn LP gas tank valve to "OPEN" i. Wait 30 seconds and then light outdoor fireplace per "Lighting Instructions"
Irregular flame pattern, flame does not run the full length of burner	Burner ports are clogged or blocked	Clean burner ports
Flame is yellow or orange	New burner may have residual manufacturing oils.	Burn outdoor fireplace for 15 minutes and reinspect
	Spider webs or insect nest in venturi	Clean venturi
	Poor alignment of valve to burner venturi	Assure burner venturi is properly engaged with valve
Flame blow out	High or gusting winds	Do not use outdoor fireplace in high winds
	Low on LP gas	Replace or refill LP gas tank
	Excess flow valve tripped	Refer to "Sudden drop in gas flow or reduced flame height"
Flashback (fire in burner tube(s))	Burner and/or burner tubes are blocked	Clean burner and/or burner tubes
Flame seems to lose heat when burning in cold weather - temperature below 50°F	Ice has built up on the outside of the LP gas tank because the vaporization process is too slow.	1. Turn LP gas tank valve to "CLOSED" 2. Turn control knob to "OFF 🔼" 3. Replace with a spare LP gas tank 4. Reconnect LP gas tank per "Installing LP Gas Tank" 5. Leak check the connections 6. Light per "Lighting Instructions"

Foyer d'extérieur au propane

AVERTISSEMENT
POUR VOTRE SÉCURITÉ:

Pour usage à l'extérieur seulement
(hors de tout abri clos)
Non destiné à la cuisson

AVERTISSEMENT
POUR VOTRE SÉCURITÉ:

- ▲ Le non-respect des consignes contenues dans ce manuel risque de provoquer un incendie ou une explosion et d'entraîner des dégâts matériels, des blessures graves voire la mort.
- ▲ QUE FAIRE EN CAS D'ODEUR DE GAZ:
 - Ne tenter en aucun cas d'allumer un appareil quelconque.
 - Ne pas toucher d'interrupteur électrique; ne pas téléphoner en utilisant un téléphone de votre bâtiment.
 - Appeler immédiatement votre fournisseur de bouteilles de gaz en utilisant le téléphone d'un voisin habitant dans un autre bâtiment.
 - Suivre les instructions du fournisseur de bouteilles de gaz.
 - Si le fournisseur de bouteilles de gaz est injoignable, appeler les pompiers.
- ▲ L'installation et l'entretien de cet appareil doit être effectué par un installateur qualifié, un service de réparation agréé ou votre fournisseur de bouteilles de gaz.
- ▲ Conservez ces instructions afin de pouvoir les consulter ultérieurement.
Si vous êtes en train d'assembler cet appareil pour une autre personne, veuillez lui fournir le manuel afin qu'elle puisse le lire et le consulter plus tard.

AVERTISSEMENT
POUR VOTRE SÉCURITÉ:

- ▲ Toute installation défectueuse ou modification incorrecte ainsi que tout mauvais réglage ou entretien incorrect risque d'entraîner des blessures ou des dégâts matériels.
- ▲ Se référer au manuel d'utilisation fourni avec cet appareil. Pour toute assistance ou information supplémentaire, consulter un installateur qualifié, un centre de réparation ou le fournisseur de la bouteille de gaz.

DANGER

S'il y a une odeur de gaz :

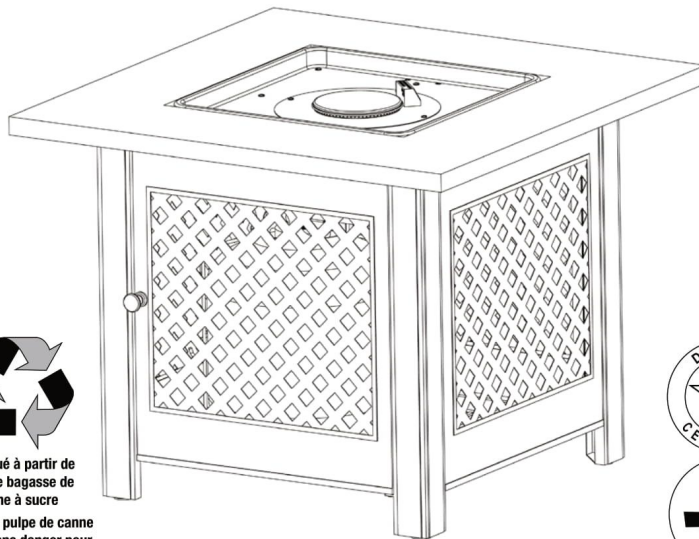
1. Coupez l'admission de gaz de l'appareil.
2. Éteindre toute flamme nue.
3. Ouvrir le couvercle.
4. Si l'odeur persiste, éloignez-vous de immédiatement le fournisseur de gaz ou le service d'incendie.

AVERTISSEMENT
POUR VOTRE SÉCURITÉ:

1. Ne pas entreposer ni utiliser de l'essence ni d'autres vapeurs ou liquides inflammables dans le voisinage de l'appareil, ni de tout autre appareil.
2. Une bouteille de propane qui n'est pas raccordée en vue de son utilisation, ne doit pas être entreposée dans le voisinage de cet appareil ou de tout autre appareil.

DANGER

Ne jamais laisser un barbecue allumé sans surveillance.



Fabriqué à partir de 75% de bagasse de canne à sucre (résidu de pulpe de canne à sucre sans danger pour l'environnement)



DANGER

DANGER DE MONOXYDE DE CARBONE

- Cet appareil risque de produire du monoxyde de carbone inodore.
- L'utilisation de cet appareil dans un espace clos présente un danger mortel.
- Ne jamais utiliser cet appareil dans un espace clos tel qu'une tente-caravane, une tente, une voiture ou une maison.

Table des matières

Dangers et mises en garde	Page 2
Vue éclatée des pièces et quincaillerie	4
Instructions d'assemblage	5
Installer la bouteille de propane	6
Insérer la bouteille de propane	6
Fixer la bouteille de propane	6
Brancher la bouteille de propane	7
Débrancher la bouteille de propane	7
Fonctionnement	7
Détection de fuites	7
Allumer	7
Éteindre	7
Nettoyage et entretien	7
Inspection	7
Nettoyage	8
Stockage	8
Enregistrement de l'appareil	8
Garantie limitée	8
Guide de dépannage	9

L'utilisation et l'installation de cet appareil doivent être conformes aux codes locaux. En l'absence de codes locaux, suivre le *National Fuel Gas Code* (Code national de gaz combustible), les normes ANSI Z223.1/NFPA 54, ou le *International Fuel Gas Code* (Code international de gaz combustible). Après son installation, cet appareil doit être mis à la terre conformément aux codes locaux ou en l'absence de codes locaux suivre le *National Electrical Code* (Code électrique national) et la norme ANSI/NFPA 70 selon le cas.

DANGERS et MISES EN GARDE: POUR VOTRE SÉCURITÉ:

- ▲ **DANGER:** Le non-respect des avis de danger, des mises en garde et des consignes de sécurité de ce manuel risque de provoquer un incendie ou une explosion et d'entraîner des dégâts matériels, des blessures graves voire la mort.
- ▲ **AVERTISSEMENT:**
- ▲ Cet appareil doit être utilisé uniquement à l'extérieur et NE doit PAS être utilisé dans un immeuble, un garage ou tout autre espace clos.
- ▲ NE PAS utiliser ou allumer cet appareil à moins de 3.05 m de tout mur, construction ou immeuble.
- ▲ Pour usage domestique seulement. Ce foyer d'extérieur N'est PAS destiné à un usage commercial.
- ▲ Ce foyer d'extérieur a été homologué uniquement pour être utilisé aux États-Unis et/ou au Canada en toute sécurité. Ne pas modifier ce foyer d'extérieur afin de pouvoir l'utiliser autre part. Toute modification ou altération présentera un danger de fonctionnement et entraînera l'annulation de la garantie.
- ▲ NE PAS utiliser le barbecue pour se chauffer ou pour cuisiner à l'intérieur. Des émanations TOXIQUES de monoxyde de carbone peuvent s'accumuler et provoquer l'asphyxie.
- ▲ Avis aux personnes habitant en appartements : Vérifier auprès de la gérance pour connaître les conditions requises, la réglementation et le code de prévention des incendies de votre complexe d'habitations collectives. Si permis, utiliser le foyer en le posant au sol en laissant une distance de sécurité de dix (10) pieds (3 m) entre le barbecue et toute structure. Ne pas utiliser sous un balcon.
- ▲ Ce foyer d'extérieur doit être utilisé uniquement avec du propane liquide (PL). Toute utilisation de gaz naturel avec ce foyer d'extérieur ou tentative de conversion au gaz naturel de ce foyer d'extérieur est dangereuse et entraînera l'annulation de la garantie.
- ▲ Le propane est un gaz inflammable et dangereux si ce dernier n'est pas manipulé correctement. Il est indispensable de connaître les dangers encourus avant d'utiliser tout appareil fonctionnant au propane.
 - a. Le propane, qui risque d'exploser sous pression, est plus lourd que l'air, se dépose et demeure au sol.
 - b. Le propane à l'état naturel est inodore. Pour votre sécurité, un odorisant ayant l'odeur de choux avariés a été ajouté.
 - c. Tout contact du propane avec la peau risque d'entraîner des engelures.
- ▲ Il est nécessaire de brancher une bouteille de propane pour faire fonctionner le foyer d'extérieur. Seules les bouteilles marquées « propane » peuvent être utilisées.
 - a. La bouteille de propane doit être fabriquée, marquée et mise en service conformément à la *Réglementation sur les bouteilles de gaz de pétrole liquéfié établie par le Ministère des transports des États-Unis (DOT) ou répondre à la Norme nationale du Canada, CAN/CSA-B339 sur les bouteilles, sphères et tubes destinés au transport de produits dangereux et la commission.*
 - b. La bouteille de propane doit être placée et homologuée afin de permettre l'extraction des vapeurs de gaz.
 - c. La bouteille de propane doit être équipée d'un système d'arrêt volumétrique (OPD) empêchant tout remplissage excessif et d'un raccord rapide QCCI ou d'un raccord de Type 1 (CGA810) pour le branchement de la bouteille de propane.
 - d. La bouteille de propane doit posséder un col afin de protéger le robinet et la soupape de la bouteille.
 - e. Ne jamais utiliser une bouteille de propane si le corps, la soupape, le robinet, le col ou le socle sont endommagés.
 - f. Toute bouteille bosselée ou présentant des traces de rouille risque d'être dangereuse et devrait être vérifiée par votre fournisseur avant de l'utiliser.
 - g. Ne pas laisser tomber la bouteille ni la manipuler brusquement ou brutalement!
 - h. Les bouteilles de gaz doivent être entreposées à l'extérieur, hors de la portée des enfants et ne doivent pas être entreposées dans un bâtiment, un garage ou dans tout autre lieu fermé. Les bouteilles de gaz ne doivent jamais être entreposées dans un endroit où la température risque de dépasser 51,6°C (125°F)!
 - i. Ne pas introduire d'outil ni de corps étranger dans la sortie du robinet de la bouteille de gaz ni dans la soupape de sécurité. Vous risquez d'endommager la soupape et de provoquer une fuite. Toute fuite de propane risque de provoquer une explosion ou un incendie et d'entraîner des blessures graves voire la mort.
 - j. Ne jamais garder une bouteille de propane pleine dans une voiture ou dans le coffre d'une voiture sous une forte chaleur. La chaleur peut provoquer une augmentation de la pression du gaz, pouvant provoquer l'ouverture de la soupape de sécurité et lui permettre de s'échapper.
 - k. Placer un capuchon cache-poussière sur la sortie du robinet de la bouteille lorsque la bouteille n'est pas utilisée. Installer uniquement le type de capuchon cache-poussière sur la sortie du robinet de la bouteille de gaz qui est fourni avec le robinet de la bouteille. L'emploi d'autres types de capuchons ou de bouchons risque d'entraîner une fuite de propane.
 - l. Ne jamais entreposer une bouteille de propane de rechange sous ou à proximité de cet appareil.
 - m. Ne jamais remplir la bouteille de propane à plus de 80% de sa capacité.
- ▲ Votre foyer d'extérieur a été vérifié en usine afin de s'assurer que les raccords ne présentent aucune fuite. Vérifier à nouveau tous les raccords en suivant les instructions du chapitre "Fonctionnement" du manuel car il est possible qu'ils se soient desserrés lors du transport.
- ▲ Vérifier que l'appareil ne présente aucune fuite même si ce dernier a été assemblé pour vous par quelqu'un d'autre.
- ▲ Ne pas utiliser le foyer d'extérieur en cas de fuite de gaz. Toute fuite de gaz risque de provoquer un incendie ou une explosion.
- ▲ Il est obligatoire de suivre toutes les procédures de détection de fuite avant d'utiliser cet appareil. Afin d'éviter tout risque d'incendie et d'explosion lorsque l'on recherche une fuite :
 - a. Vérifier que le circuit ne présente pas de fuite en effectuant un "test d'étanchéité" avant d'allumer le foyer d'extérieur à chaque fois que la bouteille de gaz est branchée afin de l'utiliser.
 - b. Interdiction de fumer. Ne pas utiliser ni laisser de sources d'ignition à proximité du foyer d'extérieur lorsque l'on recherche une fuite.
 - c. Effectuer le test d'étanchéité en plein air, dans un emplacement bien aéré.
 - d. Ne pas utiliser d'allumettes, de briquets ou de flamme nue afin de rechercher une fuite.
 - e. Ne pas utiliser le foyer d'extérieur avant d'avoir réparé toute les fuites.
- ▲ S'il s'avère impossible d'arrêter une fuite, débrancher la bouteille de propane. Contacter un réparateur ou votre fournisseur de bouteilles de propane.
- ▲ Ne pas utiliser ni entreposer d'essence ou de liquides aux vapeurs inflammables à moins de 7,62 m de cet appareil.
- ▲ Ne pas utiliser le foyer d'extérieur en présence de vapeurs et émanations explosives. Veiller à ce que la zone autour du foyer d'extérieur demeure dégagée et dépourvue de matières combustibles, d'essence et d'autres liquides aux vapeurs inflammables.
- ▲ Ce foyer d'extérieur, NE doit PAS être utilisé par des enfants.
- ▲ NE PAS brancher sur une source externe de gaz.
- ▲ Ne pas installer ni utiliser ce foyer d'extérieur à bord d'un bateau ou d'un véhicule récréatif.
- ▲ Ne jamais essayer de raccorder ce foyer d'extérieur au circuit de propane d'une caravane, autocaravane ou de votre maison
- ▲ Veiller à toujours utiliser cet appareil conformément aux codes locaux, nationaux et de votre province. Contactez les pompiers et les services de lutte contre les incendies pour de plus amples informations concernant l'incinération à l'extérieur et la prévention des incendies.
- ▲ Faire preuve des mêmes précautions que s'il s'agissait d'un feu normal en plein air.
- ▲ La prise d'alcool, de médicaments ou de drogues risque de nuire à l'aptitude de l'utilisateur à assembler ou à utiliser cet appareil en toute sécurité.

- ▲ NE PAS utiliser ce foyer d'extérieur avant de lire toutes les instructions de ce manuel d'utilisation.
- ▲ NE PAS utiliser le foyer d'extérieur afin de brûler du bois, des bûchettes de charbon de bois, du charbon, des bûches en bois d'aggloméré, du bois ayant séjourné dans l'eau, des ordures, des feuilles, du papier, du carton, du contreplaqué, du bois peint ou teint ou du bois imprégné sous pression
- ▲ Il est primordial que le compartiment de la soupape de commande du foyer d'extérieur, les brûleurs et les passages par où l'air circule demeurent propres. Vérifier le foyer d'extérieur avant chaque utilisation.
- ▲ NE PAS utiliser le foyer d'extérieur à moins qu'il ne soit COMPLÈTEMENT assemblé et que les pièces ne soient toutes fixées et serrées.
- ▲ NE PAS utiliser le foyer d'extérieur à proximité de voitures, de camions, de camionnettes ou de véhicules récréatifs.
- ▲ NE PAS utiliser le foyer d'extérieur sous un abri, une structure suspendue ou en saillie ou à proximité de toute construction combustible non-protégée. Éviter d'utiliser cet appareil à proximité d'arbres ou de buissons ou sous ces derniers.
- ▲ Placer toujours le foyer d'extérieur sur une surface plane, dure et non-combustible telle que du béton ou de la pierre. Il est déconseillé de le placer sur de l'asphalte ou du bitume.
- ▲ NE PAS utiliser le foyer d'extérieur pour la cuisson.
- ▲ NE PAS utiliser le foyer d'extérieur si une pièce quelconque a été immergée dans de l'eau. Contactez immédiatement un technicien réparateur agréé afin de vérifier l'appareil et remplacer toute pièce ou tout dispositif de la commande de réglage du gaz ayant été immergée dans de l'eau.
- ▲ NE PAS porter de vêtements inflammables ou amples en utilisant le foyer d'extérieur.
- ▲ NE PAS utiliser le foyer d'extérieur s'il y a du vent.
- ▲ NE JAMAIS se pencher au-dessus du foyer d'extérieur pour l'allumer ou lorsqu'il est allumé.
- ▲ NE PAS utiliser le foyer d'extérieur à moins que le brûleur ne soit solidement fixé.
- ▲ Veiller à ce que les câbles et cordons électriques demeurent toujours loin du foyer d'extérieur lorsqu'il est en train de fonctionner.
- ▲ Certaines surfaces du foyer d'extérieur deviendront trop chaudes au toucher lorsqu'il est allumé. Pour éviter tout risque de brûlure, ne pas toucher le foyer d'extérieur avant qu'il n'ait complètement refroidi (attendre environ 45 minutes) à moins de porter des gants de protection (gants, maniques isolantes, mitaines résistantes à la chaleur).
- ▲ NE JAMAIS laisser un foyer d'extérieur allumé sans surveillance surtout si des enfants ou des animaux domestiques et de compagnie se trouvent à proximité.
- ▲ Prévenir les enfants et les adultes du danger que présentent les surfaces brûlantes du foyer et ne pas les laisser demeurer à proximité afin d'éviter qu'ils ne se brûlent ou que leurs vêtements ne prennent feu.
- ▲ Surveiller attentivement les enfants lorsqu'ils se trouvent à proximité de l'appareil.
- ▲ Ne pas accrocher de vêtements ou d'articles inflammables sur l'appareil ou à proximité de l'appareil.
- ▲ Tout cache protecteur ou dispositif de protection ayant été retiré afin de procéder à une réparation ou à l'entretien de l'appareil doit être remis en place avant de mettre en marche l'appareil.
- ▲ La housse doit être retirée lorsque le brûleur est allumé.
- ▲ NE PAS essayer de déplacer le foyer d'extérieur quand il est allumé. Laisser le foyer d'extérieur complètement refroidir avant de le déplacer ou de le remiser.
- ▲ Ce foyer d'extérieur doit être vérifié et nettoyé en entier régulièrement. Nettoyer et inspecter le tuyau à chaque fois, avant d'utiliser l'appareil. En cas d'abrasion, d'usure, de coupures ou de fuite, le tuyau doit être remplacé avant que cet appareil ne soit mis en fonctionnement.
- ▲ Ce foyer d'extérieur doit être vérifié au moins une fois par an par un réparateur qualifié. En fonction de la fréquence d'utilisation, l'appareil risquera de devoir être nettoyé plus souvent. Ne pas utiliser le foyer jusqu'à ce que toutes les pièces défectueuses aient été réparées ou remplacées.
- ▲ Utiliser uniquement le régulateur et le tuyau fournis. Le régulateur et le tuyau de rechange doivent être ceux spécifiés par le fabricant.
- ▲ Utiliser uniquement des pièces agréées de l'usine Blue Rhino Global Sourcing, LLC. L'emploi de toute pièce non agréée peut être dangereux et entraînera l'annulation de la garantie.
- ▲ Le remisage du foyer d'extérieur à l'intérieur est autorisé seulement si la bouteille a été débranchée et retirée de l'appareil et correctement entreposé à l'extérieur.
- ▲ NE PAS tenter de débrancher le régulateur de gaz de la bouteille ou de débrancher une pièce quelconque de l'alimentation du gaz lorsque le foyer d'extérieur est allumé.
- ▲ Lorsque l'on n'utilise pas le foyer d'extérieur, fermer l'alimentation du gaz au niveau de la bouteille.
- ▲ La pression du régulateur est réglée sur 11 po. (28 cm) de colonne d'eau.
- ▲ La pression d'entrée maximum pour ce foyer d'extérieur est de 11 po. (28 cm) de colonne d'eau.
- ▲ Fermer le robinet de la bouteille de propane, débrancher le régulateur avant de tester la pression de la tuyauterie à une pression égale ou supérieure à 1/2 psi (3,5 kPa).
- ▲ Ne pas s'asseoir sur la surface carrelée due à l'âtre du foyer.
- ▲ Ne rien jeter dans le feu lorsque l'appareil est allumé.
- ▲ Les bûches et les pierres de lave deviendront très chaudes, veillez à ce que les enfants et les animaux domestiques et de compagnie demeurent à une distance sécuritaire.
- ▲ L'ouverture du col de la bouteille devrait être orientée vers la porte pour faciliter l'accès.
- ▲ NE PAS entreposer de matières combustibles dans le compartiment inférieur du socle.
- ▲ Porter des gants de protection pour assembler cet article.
- ▲ Ne pas forcer les pièces les unes dans les autres afin d'éviter toute blessure et éviter d'endommager cet article.
- ▲ Les consignes ci-dessus doivent être strictement respectées et le non respect de ces consignes risque de provoquer des dégâts matériels ou d'entraîner des blessures graves voire la mort.

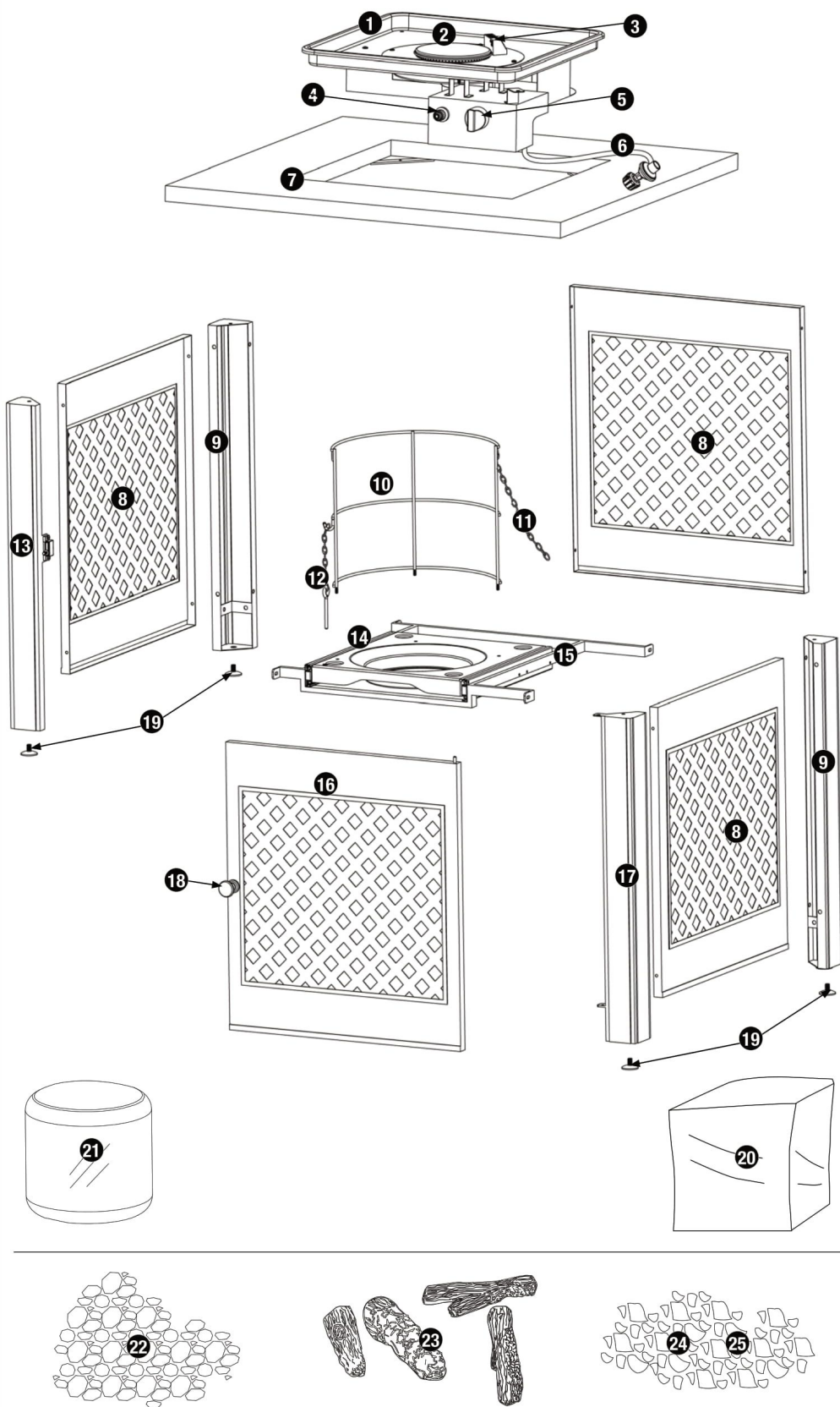
Liste des pièces

1	Cuve*	58-22-024
2	Brûleur*	58-22-001
3	Allumeur*	55-05-441
4	Bouton de l'allumeur*	55-05-442
5	Bouton de commande*	55-05-436
6	Régulateur et tuyau*	58-22-003
7	Âtre	58-22-025
8	Panneau (3)	58-22-026
9	Pied arrière (2)	58-22-027
10	Support de la bouteille de propane	55-05-458
11	Chaîne du support de la bouteille de propane*	55-05-447
12	Chaîne du plateau de la bouteille de propane*	55-05-449
13	Pied avant gauche	58-22-028
14	Plateau de la bouteille de propane*	55-05-448
15	Socle*	58-22-029
16	Porte	58-22-030
17	Pied avant droit	58-22-031
18	Poignée de porte*	55-05-697
19	Patin (4)	55-05-692
20	Housse	58-22-042
21	Housse de la bouteille de propane	55-05-737
22	Pierres de lave (vendues séparément) †	
23	Bûches (vendues séparément) †	
24	Pierres en verre couleur bronze †	GLS-BRZ
25	Pierres en verre (autres couleurs vendues séparément) †	

*Pré-monté

† Utiliser uniquement des produits Blue Rhino Global Sourcing Inc.

Vue éclatée



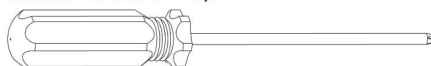
Quincaillerie

A	Vis	Nickelée, à tête bombée Phillips, M5x12	25 pcs
B	Vis	Nickelée à épaulement, à tête Phillips, M5x16	1 pc
C	Écrou à oreilles	Galvanisé, M5	3 pcs
D	Pile AA	Pile AA 1,5 V	1 pc

Outils requis pour l'assemblage (non fournis)

Tournevis cruciforme Phillips n° 2

1 pc



Instructions d'assemblage

1

Pour faciliter l'assemblage:

- Pour éviter de perdre des petites pièces ou la quincaillerie d'installation, assemblez cet article sur une surface plane qui ne comporte pas de trous ni de fissures.
- Prévoyez une surface de travail suffisamment grande afin d'étaler toutes les pièces et la quincaillerie d'installation. Cette surface ne doit pas être dure afin d'éviter de rayer ou d'endommager le fini de l'appareil.
- Lorsque nécessaire, serrez toute les fixations et la visserie en premier. Une fois l'étape terminée, serrez-les complètement en veillant à ne pas trop les serrer afin d'éviter d'endommager la surface de l'appareil et de fausser le filetage.
- Suivez toutes les étapes dans l'ordre afin d'assembler correctement cet article.

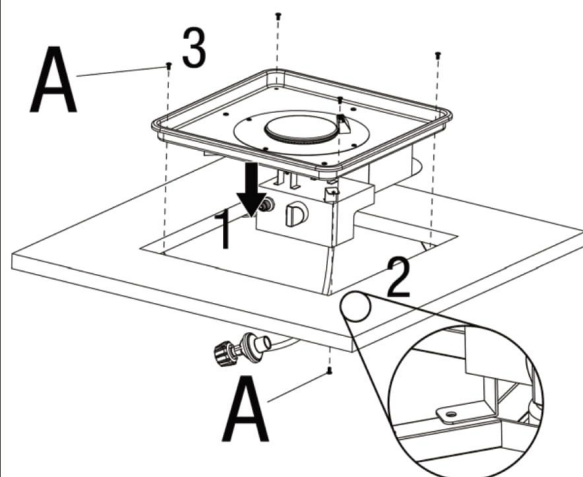
Pour effectuer l'assemblage, vous aurez besoin des choses suivantes:

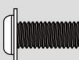
- une (1) solution de détection de fuites (voir instructions sur la préparation de la solution au chapitre « Fonctionnement »).
- une (1) bouteille de propane liquide pour barbecue (de 15 à 19 litres) remplie avec précision avec raccord de robinet à filetage externe Acme de type 1.

Temps d'assemblage: environ 30 minutes.

2

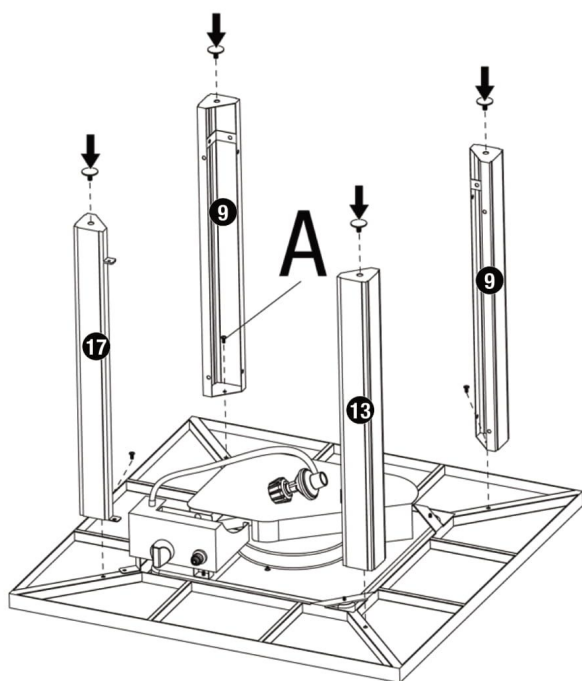
Fixer la cuve

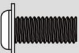


A  x 5

3

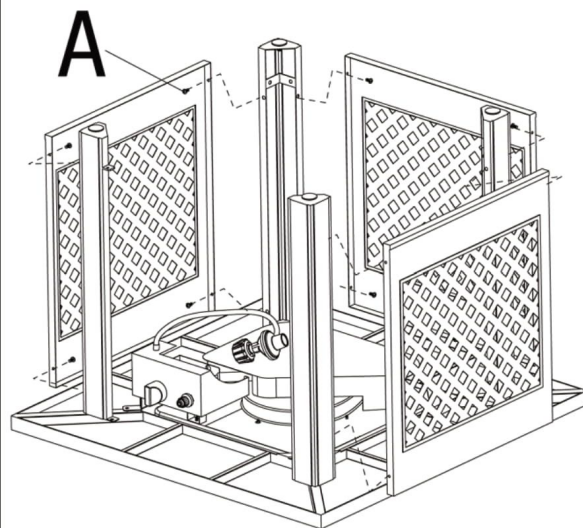
Fixer les pieds et les patins



A  x 4

4

Fixer les panneaux

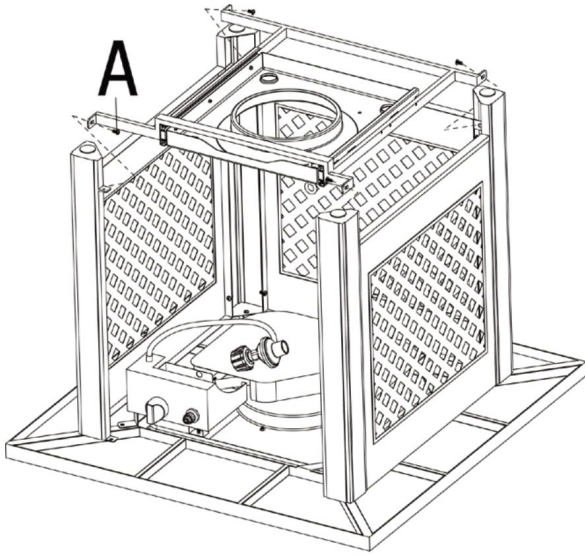


A  x 12

Instructions d'assemblage (suite)

5

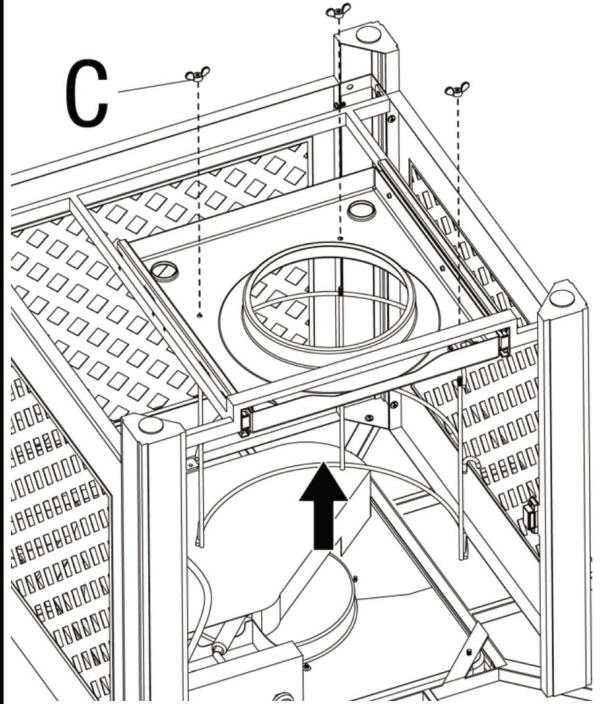
Fixer le socle



A  x4

6

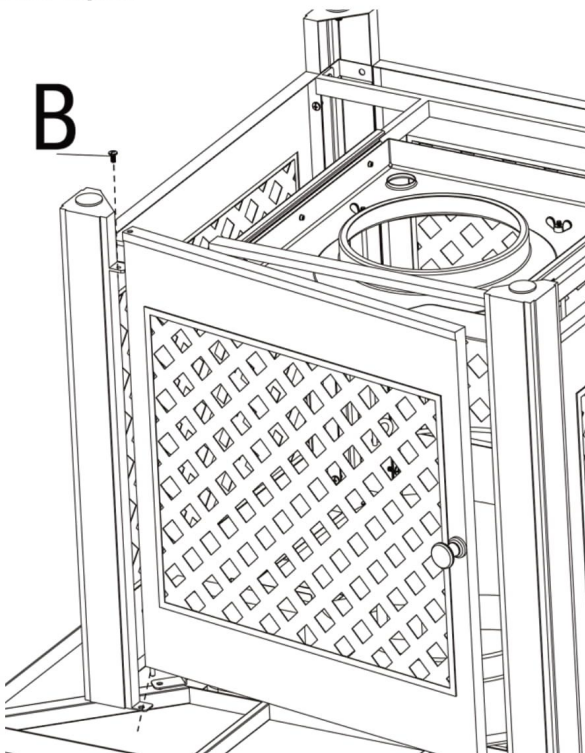
Fixer le support de la bouteille de propane



C  x3

7

Fixer la porte

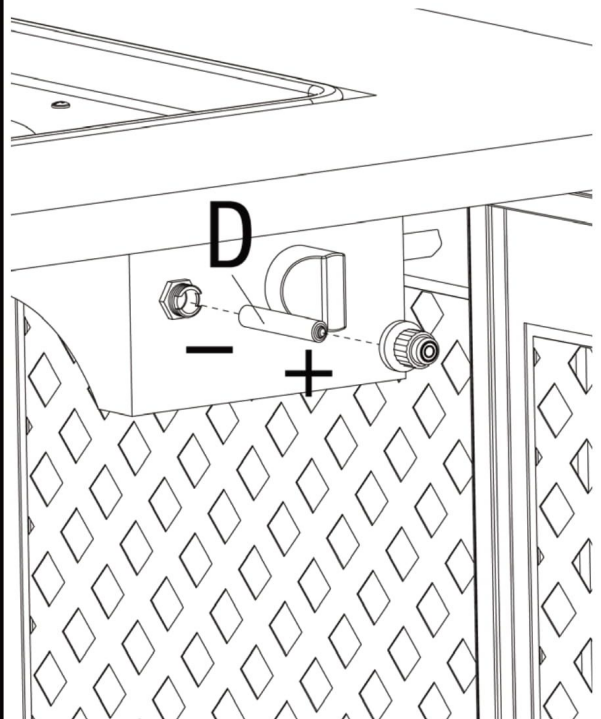


B  x1

8

Insérer la pile

Remarque: Retirer l'enveloppe protectrice en plastique avant d'installer la pile.



D  x1

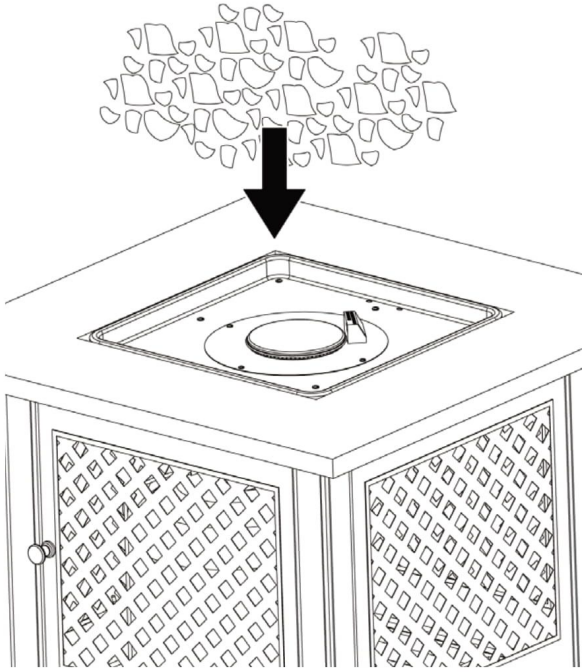
9

Placer les pierres en verre

▲ **Avertissement: NE PAS verser les pierres en verre de l'emballage. Placer les pierres en verre à la main avec précaution afin d'éviter que la poussière ne bouche le brûleur.**

▲ **Avertissement: NE PAS couvrir pilote de logements.**

Remarque: La pierres en verre devrait être entre 1 et 3 cm (0,4 et 1,2 po) de largeur. Vous aurez besoin d'environ 6,6 kg (14,5 lb) de pierres en verre.



Installer la bouteille de propane

Il est nécessaire de brancher une bouteille de propane standard de 20 livres (9 kg) pour barbecue avec soupape à filetage externe.

Remarque: Une bouteille de propane standard vide pour barbecue pèse environ 18 livres (8,1 kg). Une bouteille de propane standard pour barbecue remplie avec précision ne devrait pas peser plus de 38 livres (17,2 kg).

▲ **Avertissement: La bouteille de propane doit être correctement débranchée et retirée avant de déplacer ce barbecue.**

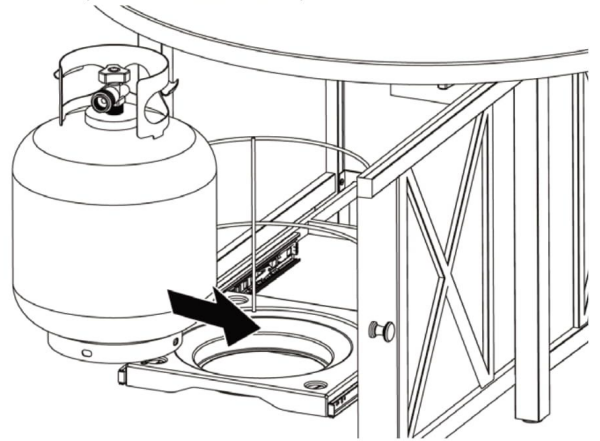


Vous avez besoin d'une bouteille de gaz? Essayez notre service d'échange de bouteilles de gaz. C'est un service facile, rapide, sans danger et présent dans des dizaines de milliers de points de vente partout dans le pays. Achetez une bouteille neuve ou échangez votre bouteille vide contre une bouteille déjà remplie avec précision.

Insérer la bouteille de propane

▲ **AVERTISSEMENT: Assurez-vous que le robinet de la bouteille de propane est fermé. Fermez-le en le tournant dans le sens des aiguilles d'une montre.**

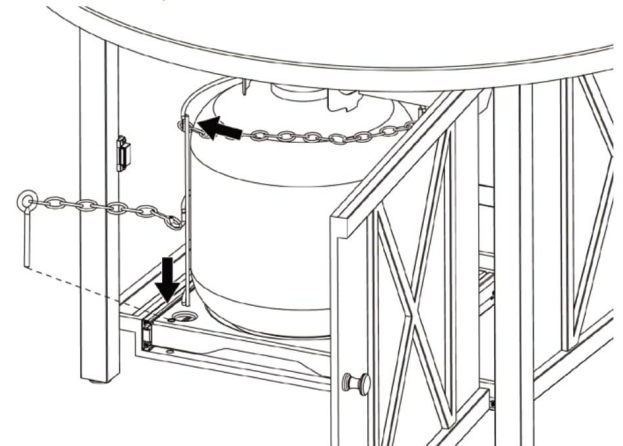
Placez la bouteille de propane ayant été remplie avec précision, dans la cavité du socle du foyer d'extérieur pour faciliter l'extraction des vapeurs.



Fixer la bouteille de propane

Fixez la bouteille de propane passant la chaîne de retenue autour de la bouteille de propane puis en insérant la tige de fixation dans le plateau de la bouteille de propane.

Remarque: La tige de fixation doit être insérée dans la bouteille de propane lorsque la bouteille est assise dans la cavité du plateau.



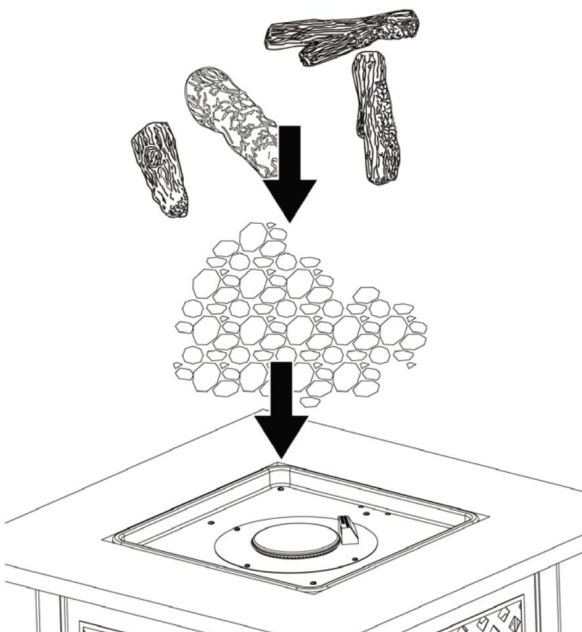
10

Placer les pierres de lave et les bûches (vendues séparément)

▲ **Avertissement: NE PAS verser les pierres de lave de l'emballage. Placer les pierres de lave à la main avec précaution afin d'éviter que la poussière ne bouche le brûleur.**

▲ **Avertissement: NE PAS couvrir pilote de logements.**

Remarque: La pierres de lave devrait être entre 2 et 5 cm (0,8 et 2 po) de largeur. Vous aurez besoin d'environ 4,5 kg (9,92 lb) de pierres de lave.

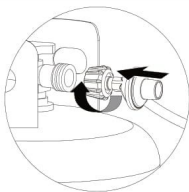


Installer la bouteille de propane (suite)

Brancher la bouteille de propane

Avant de procéder au branchement, assurez-vous de l'absence de débris dans la tête de la bouteille de propane, autour de la tête du régulateur ainsi que dans la tête du brûleur et dans les orifices du brûleur.

Branchez le régulateur et son tuyau sur la bouteille en tournant dans le sens des aiguilles d'une montre jusqu'au blocage.

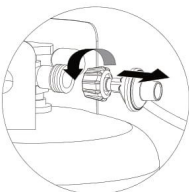


Débrancher la bouteille de propane

Avant de débrancher la bouteille, assurez-vous que le robinet de la bouteille de propane se trouve sur « CLOSED » (fermé).

Débranchez le régulateur et son tuyau de la bouteille de propane en tournant le bouton dans le sens inverse à celui des aiguilles d'une montre jusqu'à ce qu'il soit desserré.

⚠ Avertissement: La bouteille de propane doit être correctement débranchée et retirée avant de déplacer ce barbecue.



Fonctionnement

Détection de fuites

⚠ AVERTISSEMENT: Avant d'utiliser ce foyer d'extérieur, assurez-vous d'avoir lu, compris et suivi toutes les consignes de sécurité de la page « Dangers et mises en garde » de la page 2. Le non-respect de ces consignes risque de provoquer des dégâts matériels, des blessures graves voire la mort.

Raccordement des brûleurs

1. Assurez-vous que le régulateur et son tuyau ont été correctement raccordés au brûleur et à la bouteille de gaz.

Si l'appareil a été assemblé pour vous, vérifiez visuellement le branchement du tube de venturi du brûleur sur l'orifice. Assurez-vous que le tube de venturi du brûleur est correctement placé sur l'orifice.

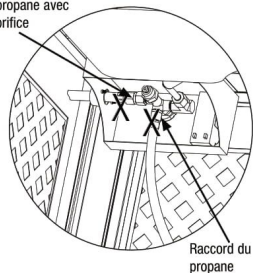
⚠ AVERTISSEMENT: Si vous ne vérifiez pas ce raccord et ne respectez pas ces instructions, vous risquez de provoquer un incendie ou une explosion pouvant entraîner des dégâts matériels, des blessures graves voire la mort.

Raccordement de la bouteille et du tuyau de gaz

1. Préparez une solution d'environ 80 ml destinée à détecter les fuites en mélangeant un volume de liquide à vaisselle et 3 volumes d'eau.
2. Assurez-vous que les boutons de commande du barbecue sont tous sur « ARRÊT ». Reportez-vous à l'illustration 3.
3. Branchez la bouteille de propane en suivant les instructions « Installer la bouteille de propane ».
4. Ouvrez le gaz en réglant le robinet de la bouteille de propane sur « OPEN » (ouvert).
5. Versez quelques gouttes de la solution sur tous les points de raccordement indiqués par un « X » (illustrations 1 et 2).

Illustration 1

Soupape de commande du propane avec orifice



Raccord du propane

Illustration 2

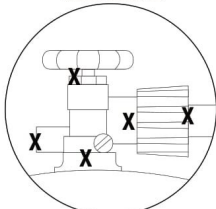
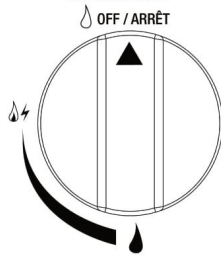


Illustration 3



Fonctionnement (suite)

Pour allumer

- ⚠ Attention: Assurez-vous que la zone autour du barbecue demeure dégagée et dépourvue de matières combustibles, d'essence et d'autres liquides et vapeurs inflammables.**
- ⚠ Attention: Ne pas bloquer ni empêcher le débit d'air de combustion du propane ni de ventilation.**
- ⚠ Attention: Assurez-vous que les tubes de venturi et des brûleurs ne sont pas bouchés par des insectes et leurs nids et nettoyez-les si nécessaire. Si la tubulure du brûleur est bouchée, ceci risque de provoquer un feu sous le barbecue.**
- ⚠ Attention: Toute tentative d'allumage du brûleur avec le couvercle fermé peut provoquer une explosion !**

1. Assurez-vous que toutes les étiquettes et pellicules protectrices ont bien été retirées du foyer d'extérieur.
2. Assurez-vous qu'il n'existe aucune obstruction et que rien ne gêne le débit d'air vers les brûleurs. Des araignées et autres insectes peuvent y élire domicile et boucher le brûleur et le tube venturi au niveau de l'orifice. Si la tubulure du brûleur est bouchée, ceci risque de provoquer un feu en dessous de l'appareil.

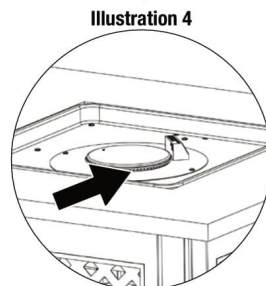


Illustration 4

3. Le bouton de commande doit être réglé sur « ARRÊT ». Reportez-vous à l'illustration 3.
4. Retirez les pierres en verre ou les pierres de lave qui se trouvent autour du brûleur afin de dégager cette zone.
5. Branchez la bouteille de propane en suivant les instructions « Brancher la bouteille de propane ».
6. Ouvrez le gaz en réglant le robinet de la bouteille de propane sur « OPEN » (ouvert).
7. Appuyez et tournez le bouton de commande sur (min.).
8. Appuyez sur le bouton (allumeur électronique) et maintenez-le appuyé pendant 5 secondes pour allumer le brûleur.
9. Maintenez le bouton de commande pendant 20 secondes pour chauffer le thermocouple.
10. Après 20 secondes, relâchez le bouton et tournez dans le sens inverse à celui des aiguilles d'une montre pour allumer le brûleur et régler la flamme à la hauteur désirée.
11. Si l'appareil ne s'allume pas en 5 secondes, réglez la commande du brûleur sur « ARRÊT », attendez 5 minutes puis reprenez la procédure d'allumage depuis le début.
12. Si l'allumeur ne parvient pas à allumer le brûleur:
 - a. Utilisez des gants de protection résistants à la chaleur, approchez une longue allumette allumée ou un long allumeur au butane au à proximité de la partie latérale du brûleur.
 - b. Appuyez et tournez le bouton de commande dans le sens inverse à celui des aiguilles d'une montre sur (min.).
 - c. Retirez la longue allumette ou le long allumeur au butane une fois que le brûleur est allumé.

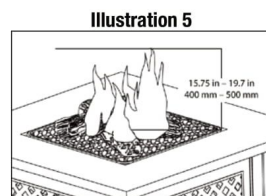


Illustration 5

⚠ ATTENTION: Après avoir allumé le brûleur, munissez-vous d'une pelle et de gants de protection résistants à la chaleur et remettez en place les pierres en verre ou les pierres de lave que vous aviez déplacées, tout en veillant à ne pas vous brûler.

13. Après avoir allumé le brûleur, veuillez observer la flamme du brûleur et vérifiez que tous les orifices du brûleur sont allumés et que la hauteur de la flamme correspond à celle de l'illustration (voir illustration 5).

⚠ ATTENTION: Si la flamme du brûleur s'éteint lors du fonctionnement du foyer, fermez immédiatement le gaz en réglant le bouton de commande sur « ARRÊT » et laissez le gaz se dissiper en attendant 5 minutes avant de tenter à nouveau d'allumer le foyer.

Pour éteindre

1. Fermez le gaz en réglant le robinet de la bouteille de propane sur « CLOSED » (Fermé).
 2. Tournez tous les boutons de commande dans le sens des aiguilles d'une montre afin de régler sur « ARRÊT » les uns après les autres.
- Vous entendrez un son étouffé, ceci est normal, il s'agit du reste du gaz venant de se consumer.

Nettoyage et entretien

⚠ ATTENTION:

1. Tout nettoyage ou entretien doit être effectué lorsque le foyer d'extérieur est froid (environ 45 minutes) et après avoir fermé et débranché l'alimentation en gaz.
2. NE placez AUCUNE pièce du foyer d'extérieur dans un four autonettoyant. La chaleur extrême endommagera le fini du foyer d'extérieur.
3. NE PAS agrandir les orifices des soupapes ou des brûleurs lors du nettoyage des soupapes ou des brûleurs.

Nettoyage et entretien (suite)

Avis

1. Ce foyer d'extérieur doit être vérifié et nettoyé en entier régulièrement.
2. N'utilisez pas de produits de nettoyage abrasifs car ils risquent d'endommager le foyer d'extérieur.
3. N'utilisez jamais de produit à nettoyer les fours sur une pièce quelle qu'elle soit du foyer d'extérieur.

Avant chaque utilisation

1. Assurez-vous que la zone autour du foyer d'extérieur demeure dégagée et dépourvue de matières combustibles, d'essence et d'autres liquides et vapeurs inflammables.
2. Ne pas bloquer ni empêcher le débit d'air de combustion du propane ni de ventilation.
3. Assurez-vous que la (les) ouverture(s) de ventilation autour de la bouteille de propane demeurent toujours propres et dépourvues de débris.
4. Vérifiez les flammes du brûleur afin de vous assurer que le foyer d'extérieur fonctionne correctement.
5. Reportez-vous aux paragraphes ci-dessous pour les instructions de nettoyage.
6. Vérifiez tous les raccords pour vous assurer qu'il n'y a aucune fuite.
7. Vérifiez les pièces pour vous assurer qu'il n'y a aucune trace d'usure ou de rouille.
8. Vérifiez et nettoyez les tubes venturi et du brûleur afin de vous assurer qu'ils ne sont pas bouchés par des insectes et leurs nids. Si la tubulure du brûleur est bouchée, ceci risque de provoquer un feu sous le foyer d'extérieur.
9. Si vous remarquez qu'une des pièces est endommagée, NE PAS utiliser le foyer avant d'avoir réparé la pièce.

Nettoyage des surfaces

1. Essuyez les surfaces du foyer d'extérieur avec un liquide à vaisselle doux ou du bicarbonate de soude mélangé avec de l'eau.
2. Pour les tâches coriaces, utilisez un dégraissant au citron et une brosse de nettoyage en nylon.
3. Rincez à l'eau.
4. Laissez le foyer d'extérieur sécher à l'air libre.

Avant le remisage

1. Assurez-vous que le bouton de commande est réglé sur « ARRÊT 🔒 » et que le robinet de la bouteille de propane est sur « CLOSED » (fermé).
2. Nettoyez toutes les surfaces du foyer d'extérieur.
3. Pour aider à lutter contre la rouille, appliquez une légère couche d'huile de cuisson sur les brûleurs.
4. Si vous remisez le foyer d'extérieur à l'intérieur, débranchez la bouteille de propane, reportez-vous au chapitre « Débrancher la bouteille de propane » et laissez la bouteille de propane à l'EXTÉRIEUR.
5. Placez le capuchon protecteur sur la bouteille de propane et entreposez la bouteille à l'extérieur dans un endroit largement aéré et à l'abri des rayons directs du soleil.
6. Couvrez le foyer d'extérieur avec une housse résistante en vinyle conçue pour un foyer de cette taille.

Enregistrement de l'appareil

Pour bénéficier plus rapidement du service offert par la garantie, veuillez enregistrer cet article immédiatement sur le site internet www.bluerhino.com ou appelez le 1.800.762.1142.

Garantie limitée

La société Blue Rhino Global Sourcing, Inc ("le fabricant") garantit cet article au premier acheteur au détail et à aucune autre personne, contre tout vice de matériau et de fabrication pendant un (1) an à partir de la date d'achat si cet article est monté et utilisé conformément aux instructions fournies. Le fabricant vous demandera sans doute une preuve raisonnable d'achat datée, veuillez donc conserver votre facture ou votre reçu. Cette garantie limitée se limitera à la réparation ou au remplacement de pièces ayant été déterminées défectueuses par le fabricant lors de conditions d'utilisation et d'entretien normales. Avant de renvoyer une pièce, contactez le service à la clientèle du fabricant (Customer Service Department). Si le fabricant confirme le défaut de fabrication et approuve la réclamation, ce dernier remplacera gratuitement les dites pièces. Si vous devez renvoyer des pièces défectueuses, les pièces devront être expédiées port-payé. Le fabricant s'engage à renvoyer les pièces à l'acheteur port-payé.





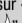
Cette garantie limitée ne couvre pas les pannes et dysfonctionnements survenant suite à tout accident, mauvais usage, entretien incorrect de cet article, ou toute modification, mauvaise installation ou négligence comme il a été établi dans ce manuel. De plus, cette garantie limitée ne couvre pas les dommages au fini, à savoir les rayures, les bosses, les traces de décoloration, de rouille ou les dommages résultant des intempéries après achat de l'article.

Cette garantie remplace toute autre garantie expresse et il n'existe aucune autre garantie expresse à l'exception de la couverture indiquée ici. Le fabricant désavoue toute garantie couvrant des produits ayant été achetés auprès de revendeurs autres que les revendeurs et distributeurs agréés y compris toute garantie de commerciabilité et d'adaptation à un usage particulier. LE FABRICANT DÉCLINE ÉGALEMENT TOUTE GARANTIE IMPLICITE Y COMPRIS TOUTE GARANTIE DE COMMERCIALITÉ ET D'ADAPTATION À UN USAGE PARTICULIER. LE FABRICANT NE POURRA ÊTRE TENU RESPONSABLE PAR L'ACHETEUR OU UN TIERS POUR TOUS DÉGÂTS ET DOMMAGES PARTICULIERS, INDIRECTS, PUNITIFS OU CONSÉCUTIFS. De plus, le fabricant désavoue toute garantie expresse ou implicite et décline toute responsabilité en cas de défaut de fabrication causés par un tiers.

Cette garantie limitée octroie des droits spécifiques à l'acheteur reconnus par la loi et il est possible que ce dernier en possède d'autres selon sa localité. Certaines juridictions ne permettent pas l'exclusion ni la limitation de dommages consécutifs ou accessoires ni la limitation en temps d'une garantie et ces limitations peuvent ne pas être applicables à tous.

Le fabricant ne permet en aucun cas à une personne ou à une société de s'attribuer les responsabilités et les obligations liées à la vente, l'installation, l'utilisation, la dépose ou le remplacement de cet article, et aucune de ces représentations n'engage la responsabilité du fabricant.

Guide de dépannage

Problème	Cause possible	Prévention/mesure correctrice
Le brûleur ne s'allume pas en utilisant l'allumeur électrique	PL: Le robinet de la bouteille de propane est fermé.	Assurez-vous que le régulateur est solidement fixé à la bouteille de propane, ouvrez le gaz en tournant le robinet de la bouteille de propane sur « OPEN » (Ouvert).
	La bouteille de propane est vide ou presque vide.	Remplacez ou remplissez la bouteille de propane.
	Il y a une fuite de propane ou de gaz naturel.	1. Fermez le gaz en tournant le robinet de la bouteille de propane ou de la conduite principale d'alimentation en gaz naturel sur « CLOSED » (fermé). 2. Attendez 5 minutes pour que le gaz se dissipe. 3. Suivez les instructions du chapitre « Rechercher une fuite potentielle » du manuel.
	Les fils ou l'électrode sont recouverts de résidus de cuisson.	Nettoyez le fil conducteur et/ou l'électrode avec de l'alcool isopropylique.
	L'électrode et les brûleurs sont mouillés.	Essayez avec un chiffon.
	L'électrode est fendue ou brisée, des étincelles apparaissent au niveau de la fente.	Remplacez l'électrode.
	Le fil est desserré ou déconnecté.	Reconnectez le conducteur ou remplacez l'ensemble électrode-fil conducteur.
	Court-circuit (étincelles) du fil conducteur entre l'allumeur et l'électrode.	Remplacez l'ensemble électrode-fil conducteur.
Allumeur défectueux.	Remplacez l'allumeur.	
Le brûleur ne s'allume pas avec une allumette	Absence de gaz.	Vérifiez si la bouteille de propane est vide. A. Si elle est vide, remplacez-la ou remplissez-la. B. Si la bouteille n'est pas vide, reportez-vous aux instructions "Baisse soudaine du débit du propane ou hauteur réduite de flamme."
	La bouteille de propane est vide ou presque vide.	Remplacez ou remplissez la bouteille de propane.
	Il y a une fuite de propane ou de gaz naturel.	1. Tournez le robinet de la bouteille de propane ou de la conduite principale d'alimentation en gaz naturel sur « CLOSED » (fermé). 2. Attendez 5 minutes pour que le gaz se dissipe. 3. Suivez les instructions du chapitre « Rechercher une fuite potentielle » du manuel.
	L'écrou de couplage et le régulateur ne sont pas complètement raccordés.	Tournez l'écrou de couplage viron un demi ou trois quart de tour de plus jusqu'à l'arrêt complet. Serrez manuellement sans utiliser d'outils.
	Obstruction du débit de gaz.	1. Nettoyez les tubes des brûleurs. 2. Assurez-vous que le tuyau n'est pas plié ou déformé.
	Le brûleur n'est plus raccordé à la soupape.	Raccordez à nouveau le brûleur et la soupape.
	Araignées ou insectes dans le venturi.	Nettoyez le venturi et le tube du brûleur.
Les orifices du brûleur sont bouchés ou bloqués.	Nettoyez les orifices du brûleur.	
Baisse soudaine du débit de propane ou hauteur réduite de flamme	Il n'y a plus de gaz.	Remplacez ou remplissez la bouteille de propane.
	Débit excessif; le dispositif de sécurité de limitation de débit a peut-être été déclenché.	1. Tournez le bouton de commande sur "ARRÊT  ". 2. Attendez 30 secondes puis allumez le foyer d'extérieur. 3. Si les flammes demeurent trop basses, réarmez le dispositif de sécurité de limitation de débit: a. Tournez les boutons de commande sur "ARRÊT  ". b. Tournez le robinet de la bouteille de propane sur « CLOSED » (fermé). c. Débranchez le régulateur. d. Tournez les boutons de commande sur  (max). e. Attendez 1 minute. f. Tournez les boutons de commande sur "ARRÊT  ". g. Rebranchez le régulateur et assurez-vous que le raccord ne présente pas de fuite. h. Ouvrez le robinet de gaz de la bouteille de propane en le tournant lentement sur « OPEN » (ouvert). i. Attendez 30 secondes puis allumez le barbecue en suivant les instructions d'allumage "Pour allumer".
Flamme irrégulière, flamme ne se répartissant pas sur toute la longueur du brûleur	Les orifices du brûleur sont bouchés ou bloqués.	Nettoyez les orifices du brûleur.
La flamme est jaune ou orange	Le nouveau brûleur peut contenir des huiles résiduelles de fabrication.	Laissez le foyer d'extérieur fonctionner pendant encore 15 minutes puis vérifiez à nouveau.
	Toiles d'araignées ou nid d'insectes dans le venturi.	Nettoyez le venturi.
	Mauvaise alignement de la valve sur le venturi du brûleur.	Assurez-vous que le venturi du brûleur est correctement raccordé à la soupape.
La flamme s'éteint.	Vent fort ou bourrasques.	Ne pas utiliser le foyer d'extérieur les jours de vent fort.
	La bouteille de propane est presque vide.	Remplacez ou remplissez la bouteille de propane
	La soupape de limitation de débit s'est déclenchée.	Reportez-vous aux instructions du paragraphe "Baisse soudaine du débit du propane ou hauteur réduite de flamme".
Retour de flammes (feu dans le ou les tubes de brûleurs)	Le brûleur et/ou ses tubes sont bouchés.	Nettoyez le brûleur et/ou les tubes du brûleur.
Les flammes semblent perdre de leur chaleur lorsque vous utilisez le foyer par temps froid, à une température de 50°F (10°C).	Accumulation de givre sur l'extérieur de la bouteille de propane car le processus de vaporisation est trop lent.	1. Tournez le robinet de la bouteille de propane sur « CLOSED » (fermé) 2. Tournez le bouton de commande sur "ARRÊT  ". 3. Remplacez la bouteille de propane en suivant les instructions du chapitre « Installer la bouteille de propane ». 4. Rebranchez la bouteille de propane en suivant les instructions du chapitre « Installer la bouteille de propane ». 5. Assurez-vous que tous les raccords sont étanches en effectuant un test d'étanchéité. 6. Allumez le foyer en suivant les instructions d'allumage.