

Shower Door
1/4" glass (6mm)

INSTALLATION GUIDE

CAUTION: To reduce the risk of breakage, keep corner protectors on glass while installing. Keep corner protectors for use in case future adjustments are needed. Consult your local plumbing codes prior to installation.

Recommended Clearance Heights for Installation:

72 inches (182.9 cm)

Recommended Width for Installation:

24-inch enclosure:

24 - 25 3/8 inches (61 - 64.5 cm)

28-inch enclosure:

28 - 29 3/8 inches (71.1 - 74.6 cm)

30-inch enclosure:

30 - 31 3/8 inches (76.2 - 79.7 cm)

32-inch enclosure:

32 - 33 3/8 inches (81.3- 84.8 cm)

34-inch enclosure:

34 - 35 3/8 inches (86.4 - 89.9 cm)

36-inch enclosure:

36 - 37 3/8 inches (91.4 - 94.9 cm)

MODEL:

1032472MB06C

1032472CH06C

1032872MB06C

1032872CH06C

1033072MB06C

1033072CH06C

1033272MB06C

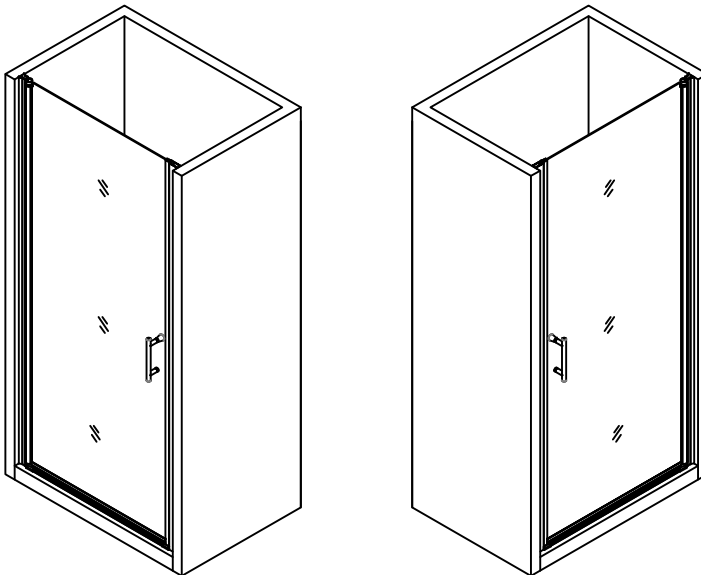
1033272CH06C

1033472MB06C

1033472CH06C

1033672MB06C

1033672CH06C



Reversible For a Left or Right Door

TOOLS REQUIRED

Drill Bits



Screw Driver



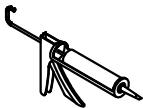
Drill



Level



Silicone



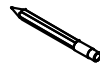
Measuring Tape



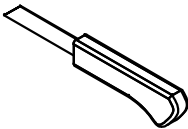
Soft Head Hammer



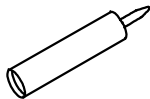
Pencil



Knife



Sealant



MASONRY DRILL BIT FOR TILE
Ø6mm



Safety Glasses



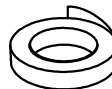
Glove



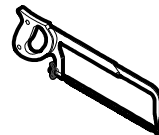
Carpenter's Squarer



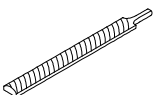
Masking or painter's tape



Hack Saw



Metal File



CAUTION: When cutting or drilling metal components or when handling glass, to reduce the risk of personal injury, protective eye wear, gloves, and closed-toe shoes are required.

SAFETY INFORMATION

CAUTION

Please carefully read the following important safety information before handling or installing this shower. There is a risk of serious injury while handling this product.

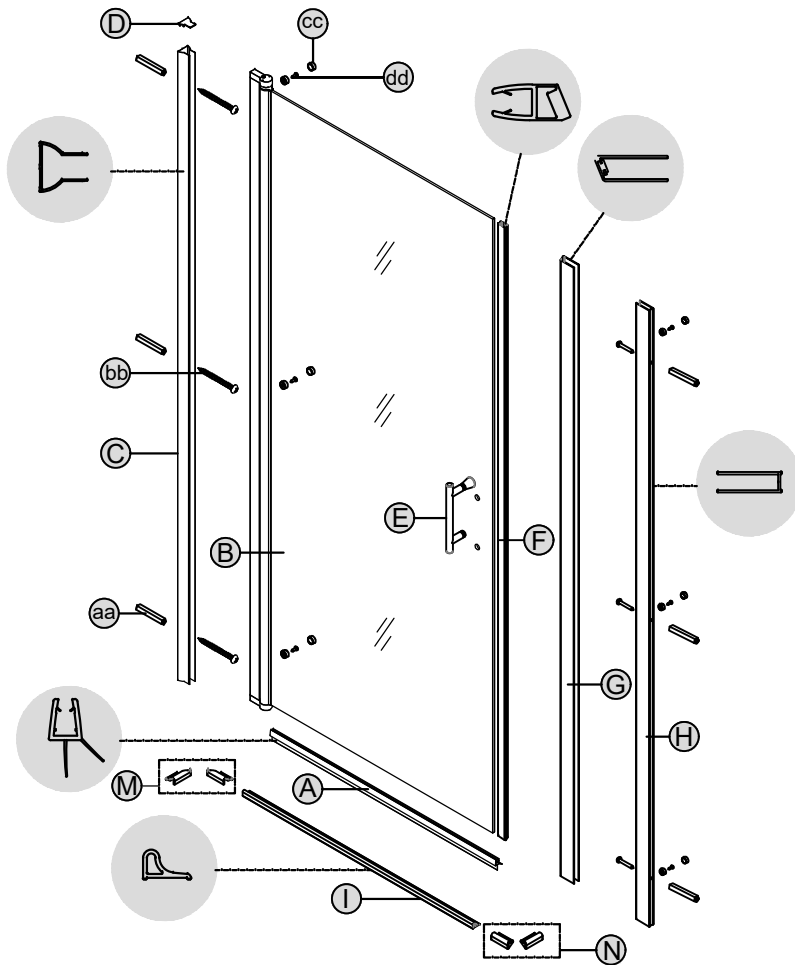
To minimize these risks, please note:

- Always wear safety glasses and gloves while handling.
- Always follow the installation instructions.
- Inspect glass for damage before installation.
- Extreme caution should be taken while handling the glass during installation as the tempered glass may shatter if in contact with a hard surface.
- Do not cut or modify the tempered glass as it will shatter if cut.
- Carefully remove product from packaging and keep packaging until installation is complete.
- Inspect all parts for damage or missing; if there is damage or part missing to the unit prior to installation, please contact customer service at the number provided in this guide.
- Cover the drain with tape to prevent the loss of small parts.
- The shower base and finished walls should be installed before beginning the shower door installation.
- During the installation, protect the shower floor with a drop cloth to avoid damage.
- This product should be installed by two people who are familiar with construction requirements. Professional installation is recommended!
- Keep this installation manual for future reference.

NOTE: Two people should perform this installation.



DOOR ASSEMBLY



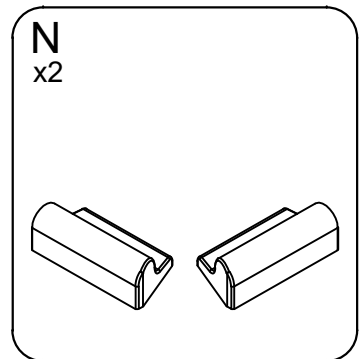
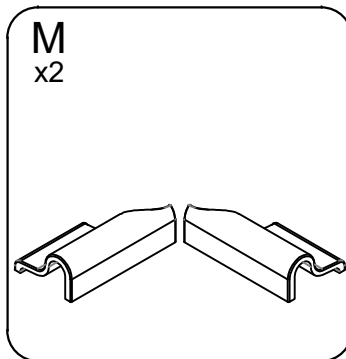
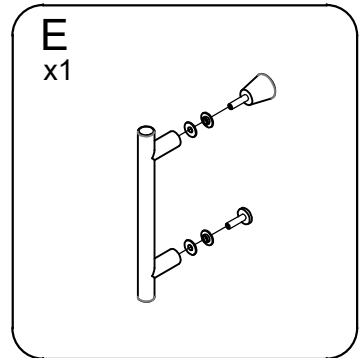
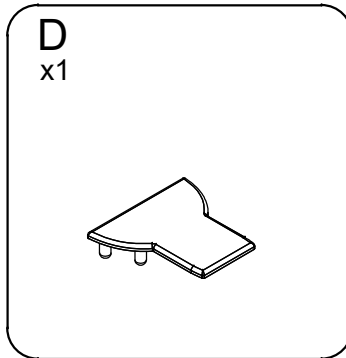
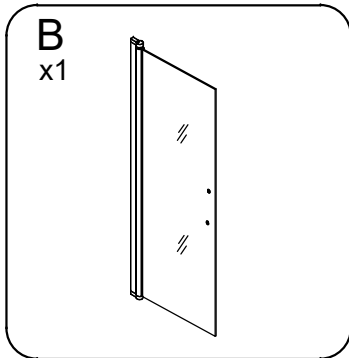
CARTON PARTS IDENTIFICATION

See following pages for detailed component diagrams

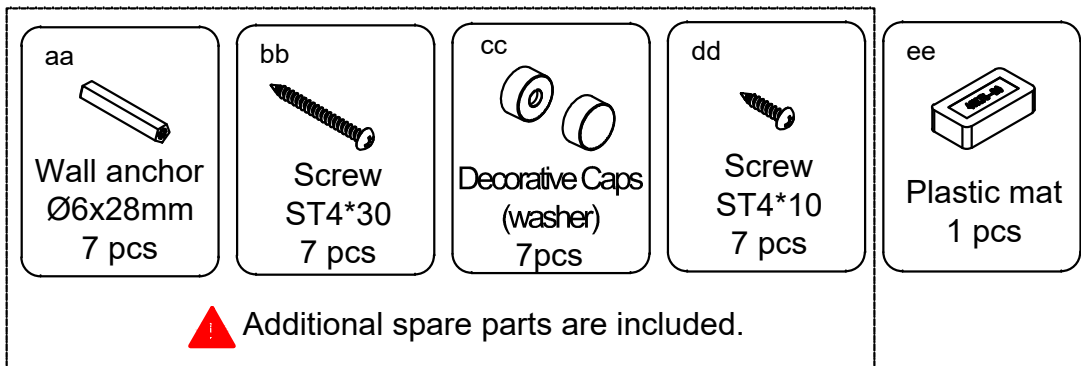
PART#	DESCRIPTION	QTY	PART#	DESCRIPTION	QTY
A	Bottom Gasket	1	G	Magnetic Seal Aluminum channel	1
B	Door panel	1	H	U channel	1
C	Wall Jamb	1	I	Alu. Threshold	1
D	Top Cover Cap	1	M	Threshold Cap M1&M2	2
E	Handle	1	N	Threshold Cap N1&N2	2
F	Magnetic strip	1			

CARTON PARTS IDENTIFICATION

See following pages for detailed component diagrams



HARDWARE CONTENT



**NOTE: Inspect all parts for missing prior to installation!
Contact us for any part missing.**



CAUTION: To avoid personal injury or property damage, identify components and read all instructions before installing.

NOTE: Door height is 72" (182.9 cm). Recommended Clearance Height for installation is 74" (188 cm.)

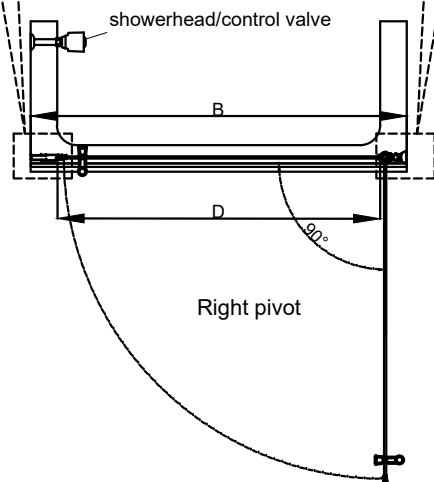
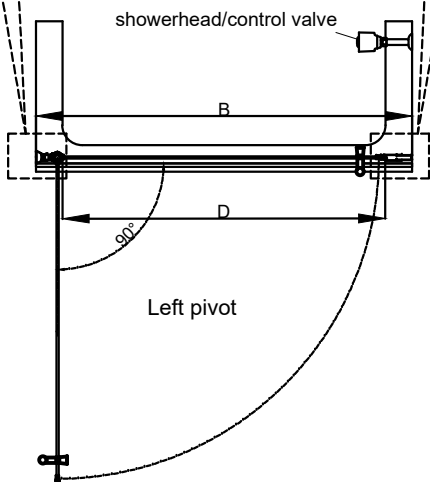
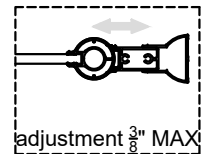
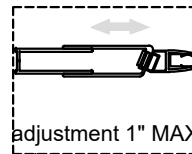
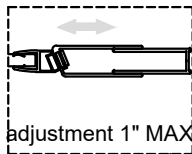
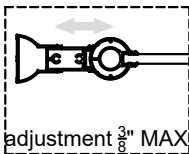
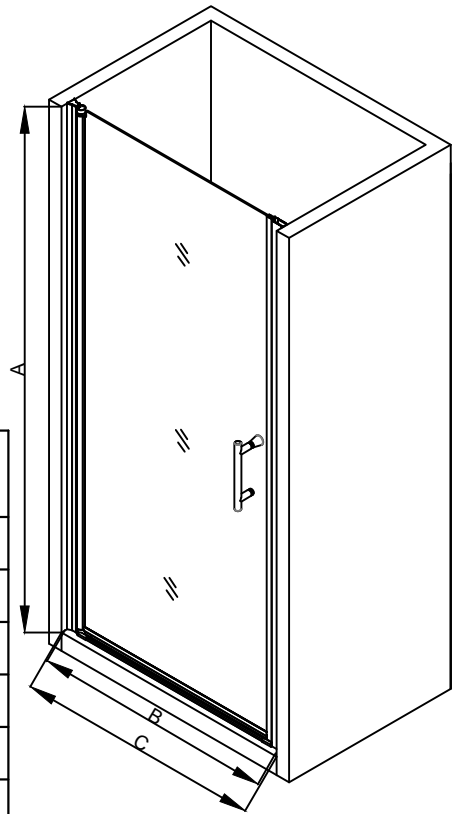
This Shower Door can be installed to open from either side of your enclosure depending on showerhead/control valve location.

The Glass Door should be installed on the same side as showerhead/control valve for optimal water retention.

NOTE: This model is reversible for right or left-hand door installation. The left-hand door installation is shown throughout this manual. For the right-hand door installation, simply begin on the opposite wall and reverse the orientation of the installation steps shown.

configuration dimensions:

A Product Height	B Model width	C Installation width	D (Opening)
72"	24"	24" ~25 3/8"	19 19/32"
	28"	28" ~29 3/8"	23 19/32"
	30"	30" ~31 3/8"	25 19/32"
	32"	32" ~33 3/8"	27 19/32"
	34"	34" ~35 3/8"	29 19/32"
	36"	36" ~37 3/8"	31 19/32"



1 Measure the finished opening width.

IMPORTANT: Incorrect measurement may prevent proper door closure. Double-check measurement.

NOTE: Before beginning installation, verify the door assembly will fit within the horizontal opening of the shower enclosure.

For the 24" door, the opening must be between 24" - 25 3/8".

For the 28" door, the opening must be between 28" - 29 3/8".

For the 30" door, the opening must be between 30" - 31 3/8".

For the 32" door, the opening must be between 32" - 33 3/8".

For the 34" door, the opening must be between 34" - 35 3/8".

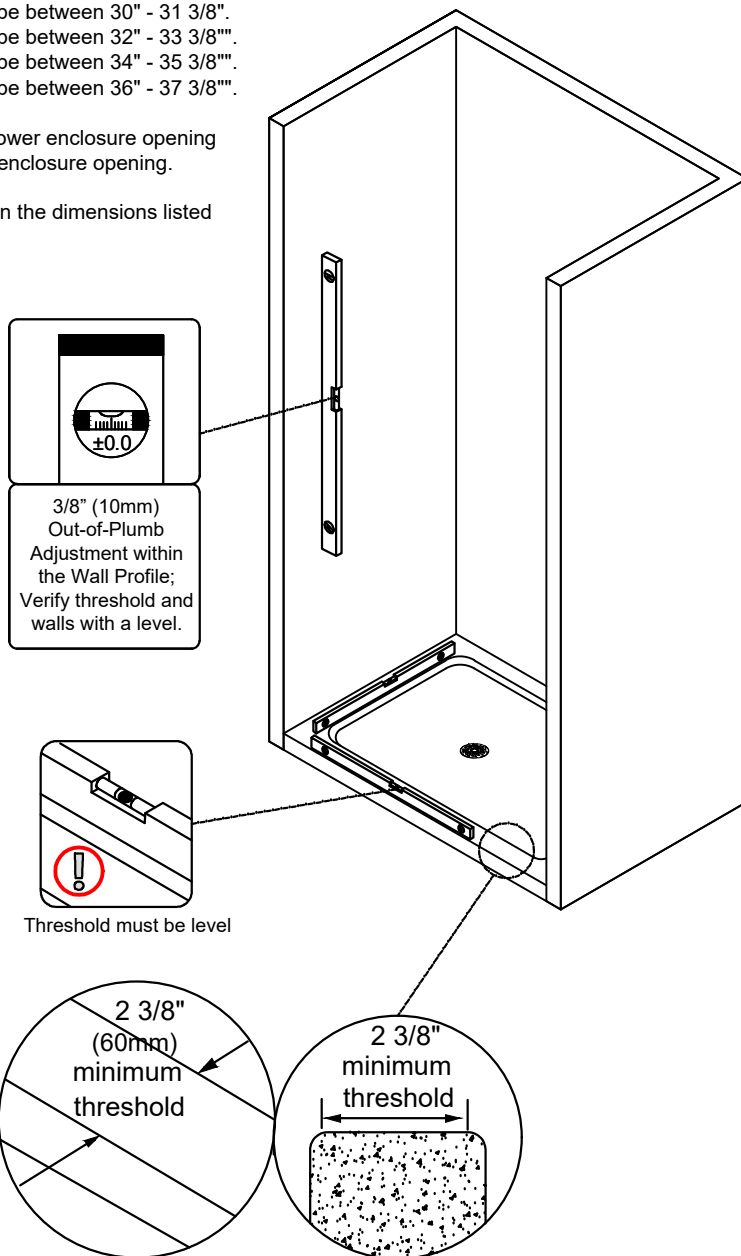
For the 36" door, the opening must be between 36" - 37 3/8".

Measure distance "W1" of upper shower enclosure opening and distance "W2" of lower shower enclosure opening.

Both measurements should be within the dimensions listed above for required opening widths.

W1 = Upper Enclosure Width

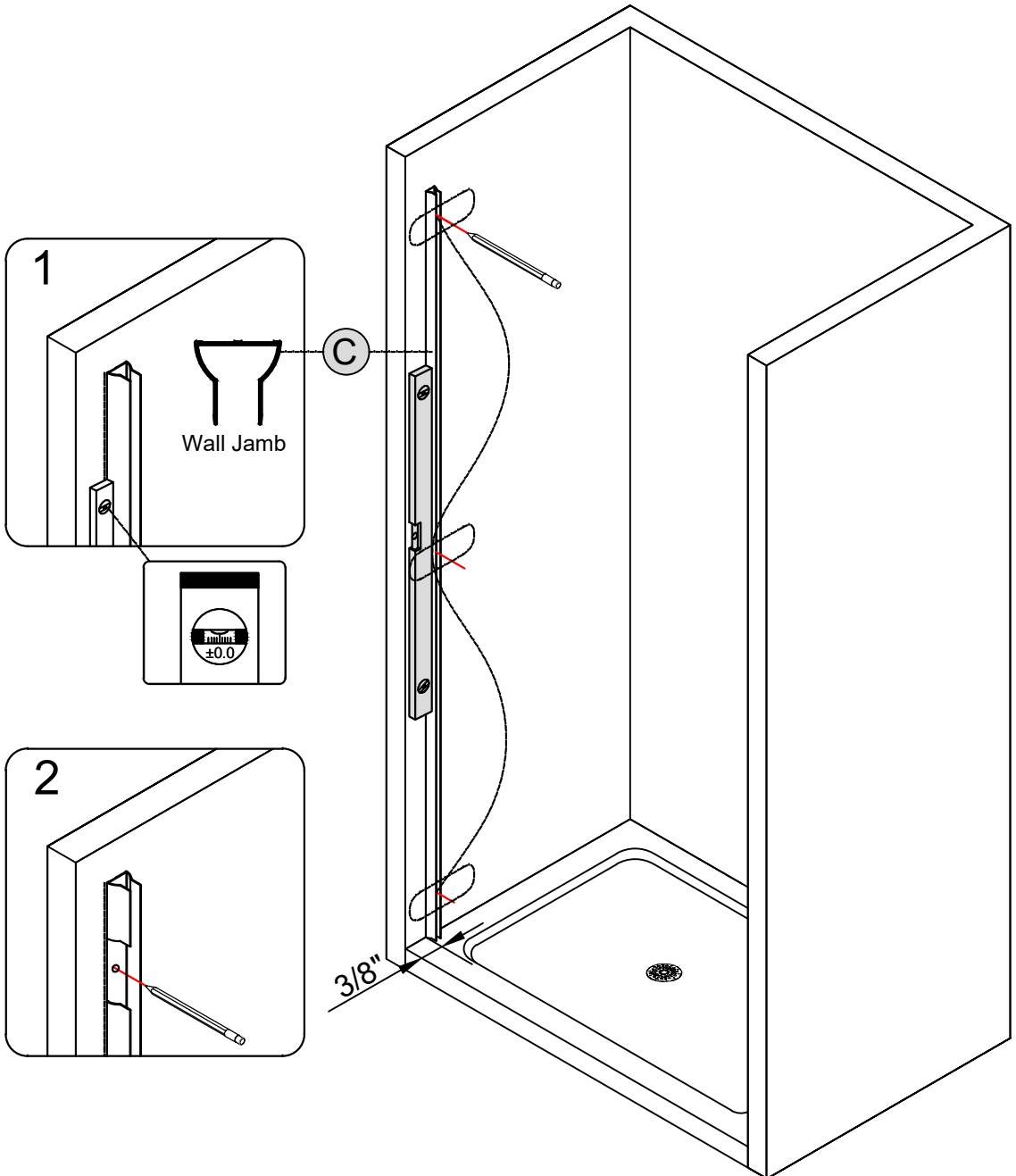
W2 = Lower Enclosure Width



2-1 Wall Jamb Installation

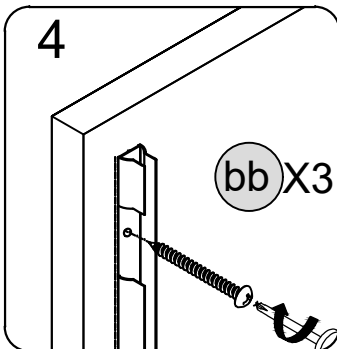
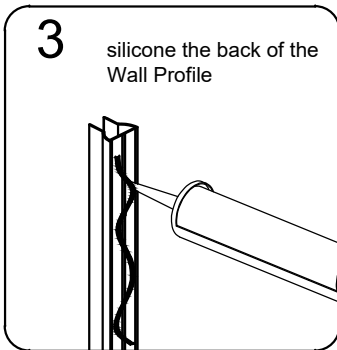
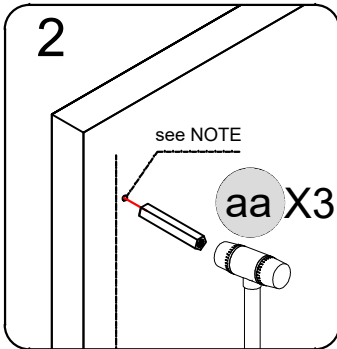
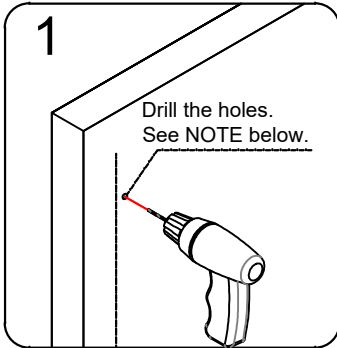
Confirm the Wall jamb is plumb with a level before marking the location of the holes for drilling.

NOTE: Position the outside edge of the **Wall Jamb(C)** on the mark(3/8") of the shower base. Mark the location of the holes.

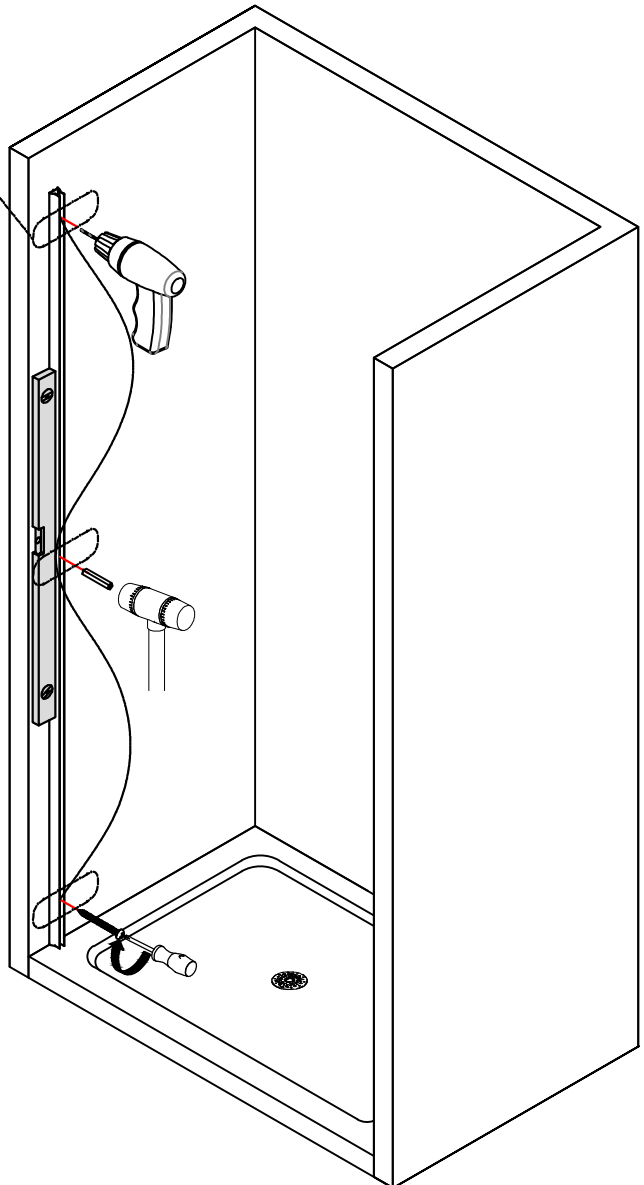


2-2 Wall Jamb Installation

CAUTION: When cutting or drilling metal components or when handling glass, to reduce the risk of personal injury, protective eye wear, gloves, and closed-toe shoes are required.



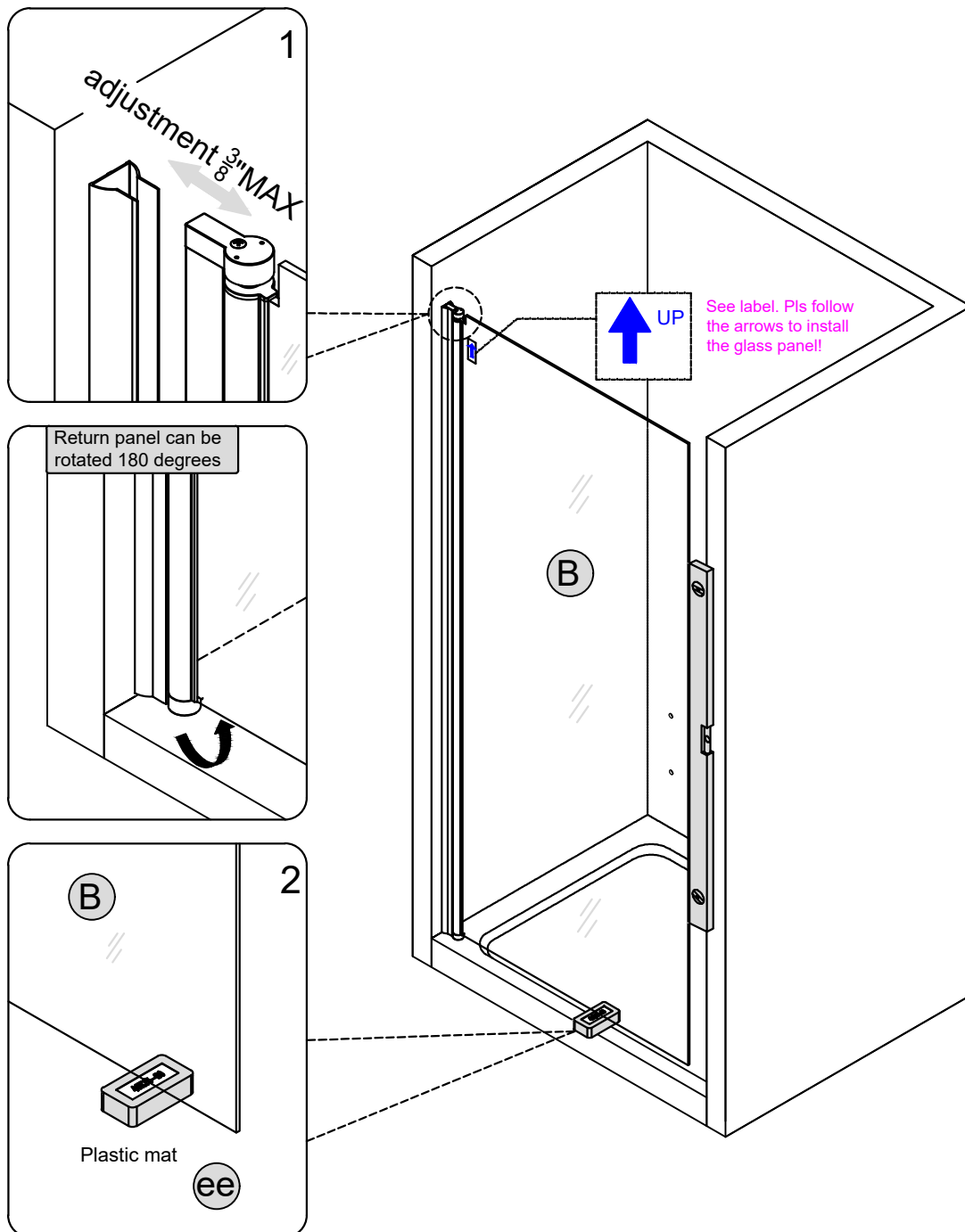
- If a Stud is present behind the wall:
drill an $\text{Ø}1/8"$ (3mm) pilot hole into the stud and use the ST4.0 x 30mm Pan Head Screws (bb)
OR
- If No Stud is present behind the wall:
drill a $\text{Ø}1/4"$ (6mm) hole and insert the Wall Anchors (aa)
and use the ST4.0 x 30mm Pan Head Screws (bb).



3 Door panel Installation

The Door panel Profiles can be adjusted up to 3/8" within the Wall Jamb for overall width or to correct for out-of-plumb conditions within the model size. Screw them together after making final adjustments.

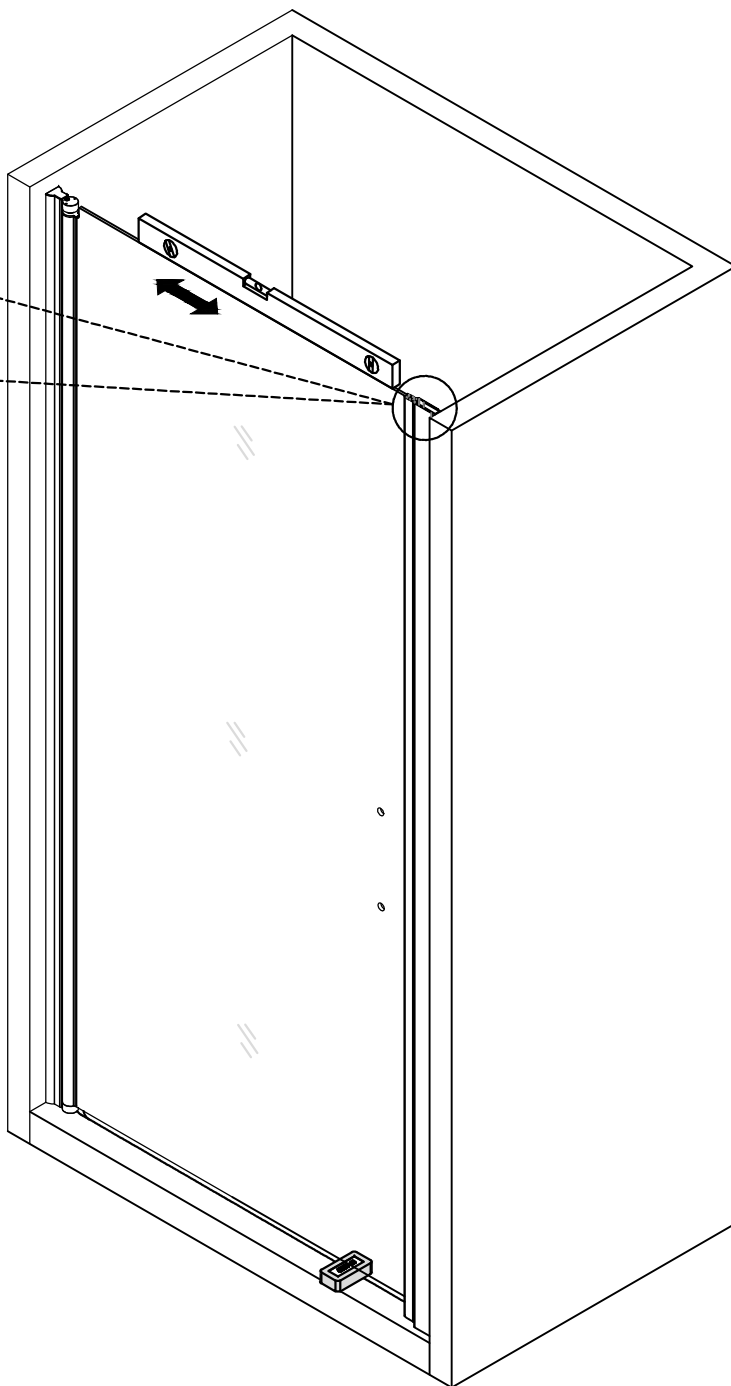
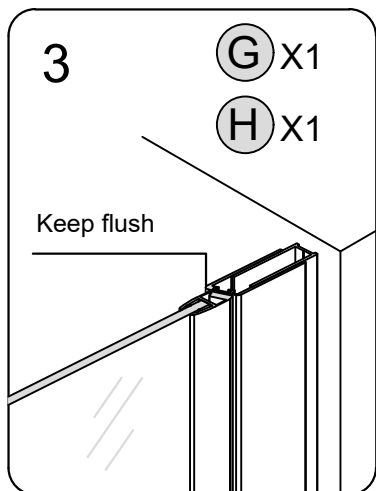
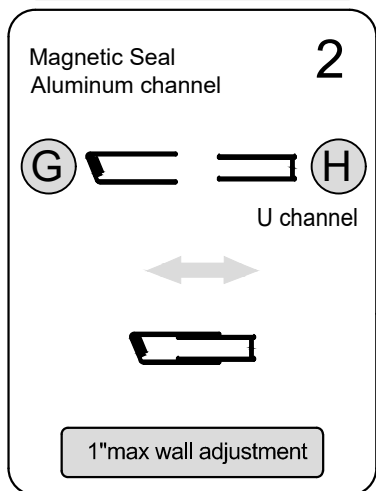
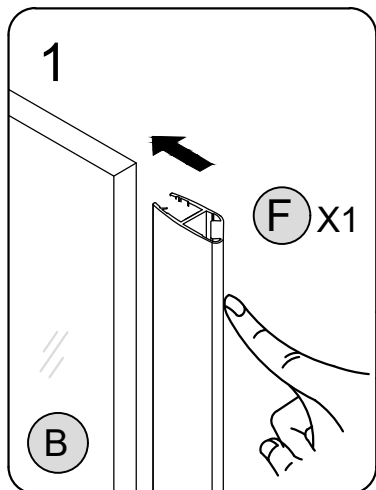
Place wood shim(ee) onto the threshold to provide proper spacing beneath the door glass. Make any final adjustments to the door so that it is level and plumb in the opening.



4 Magnetic strip Install to door panel

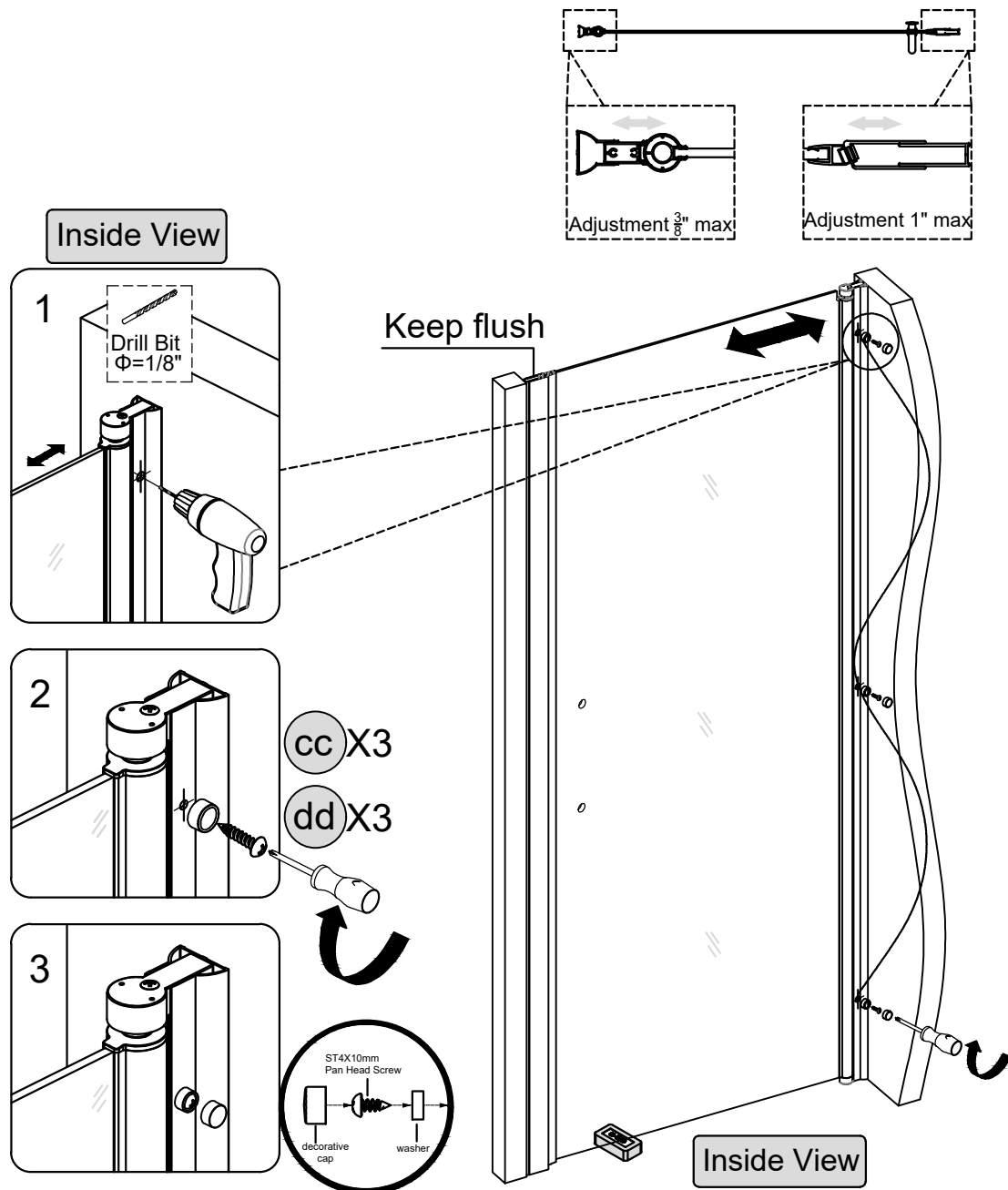
1、Magnetic strip Install to door panel.

2、Put F,G,H together before fasten the glass door,make all these parts keep flush.



5 Fasten the door panel

After final adjustments, drill $\text{\O}1/8''$ holes in the Wall Jamp (C). Drill only through the first layer of the Door panel Profile and install the ST4.0x10mm Pan Head Screws (dd) using the Decorative Covers and Washers (cc)

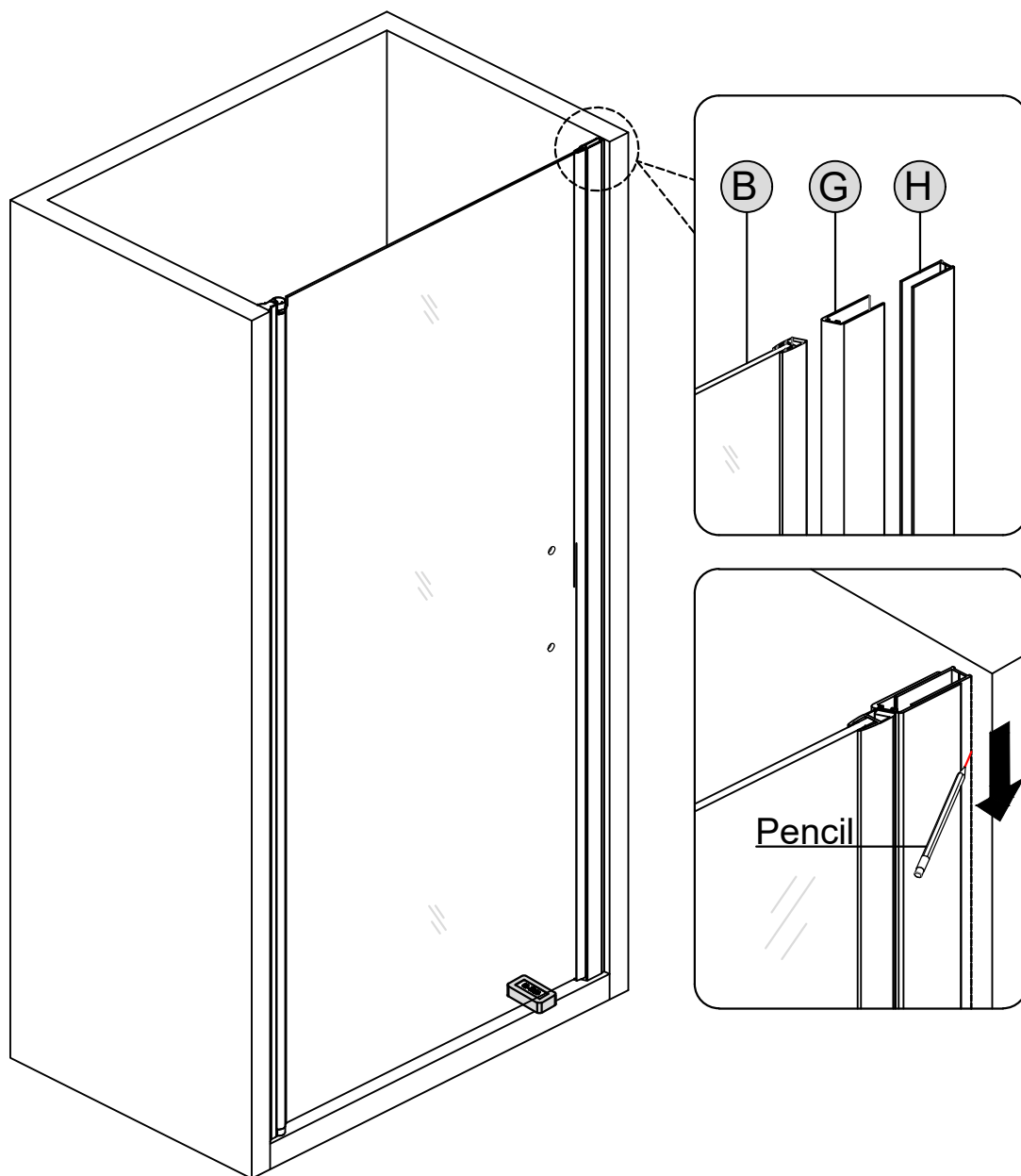


NOTE: Include the washers when installing the ST4.0x10mm Pan Head Screws (dd) and Decorative Caps (cc) .

6 Determine the G & H position

Put F,G,H together, keep flush, mark the position on the wall.

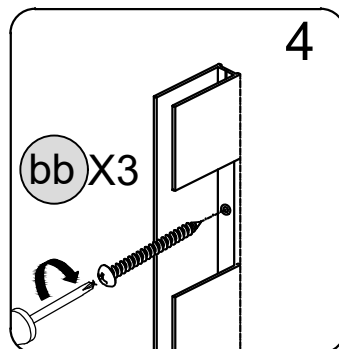
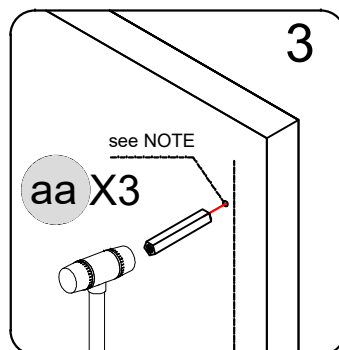
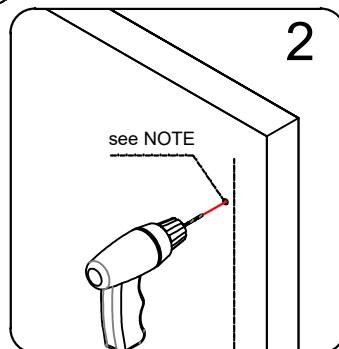
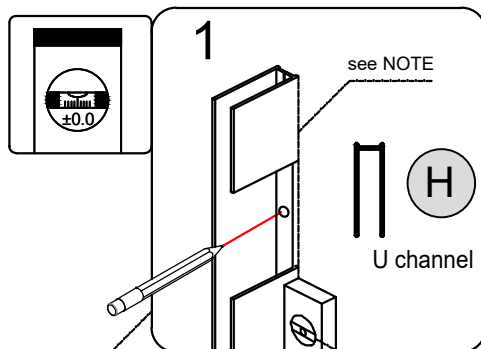
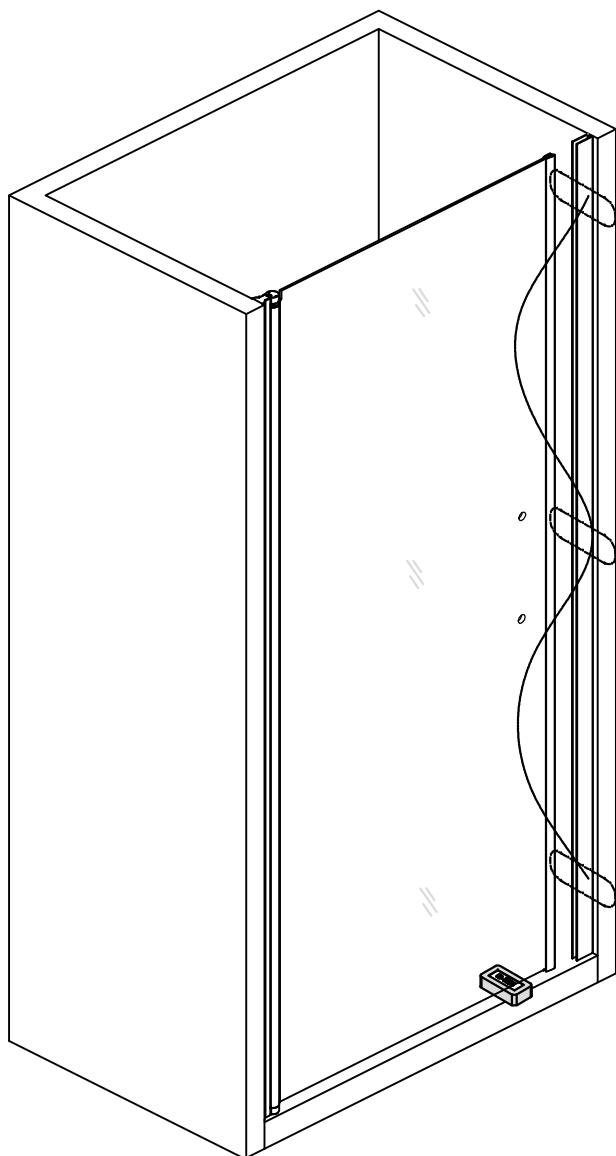
Center the Magnetic Seal Aluminum channel(G) and U channel (H) on the Threshold.



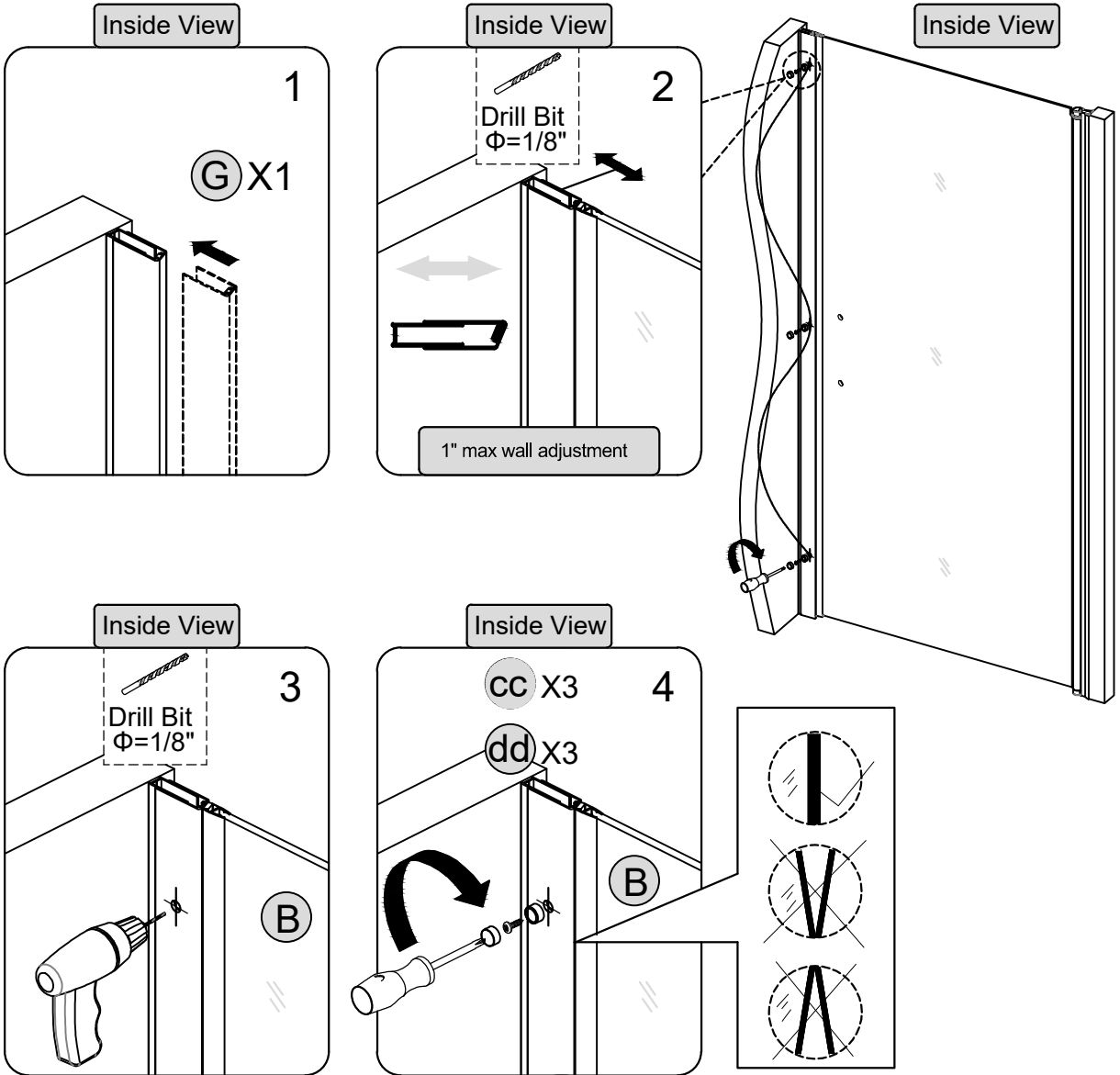
7 Determine the G & H position

CAUTION: When cutting or drilling metal components or when handling glass, to reduce the risk of personal injury, protective eye wear, gloves, and closed-toe shoes are required.

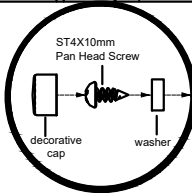
- If a Stud is present behind the wall:
drill an $\text{Ø}1/8"$ (3mm) pilot hole into the stud and use the ST4.0 x 30mm Pan Head Screws (bb)
OR
- If No Stud is present behind the wall:
drill a $\text{Ø}1/4"$ (6mm) hole and insert the Wall Anchors (aa)
and use the ST4.0 x 30mm Pan Head Screws (bb).



8 Magnetic Seal Wall Jamb Installation



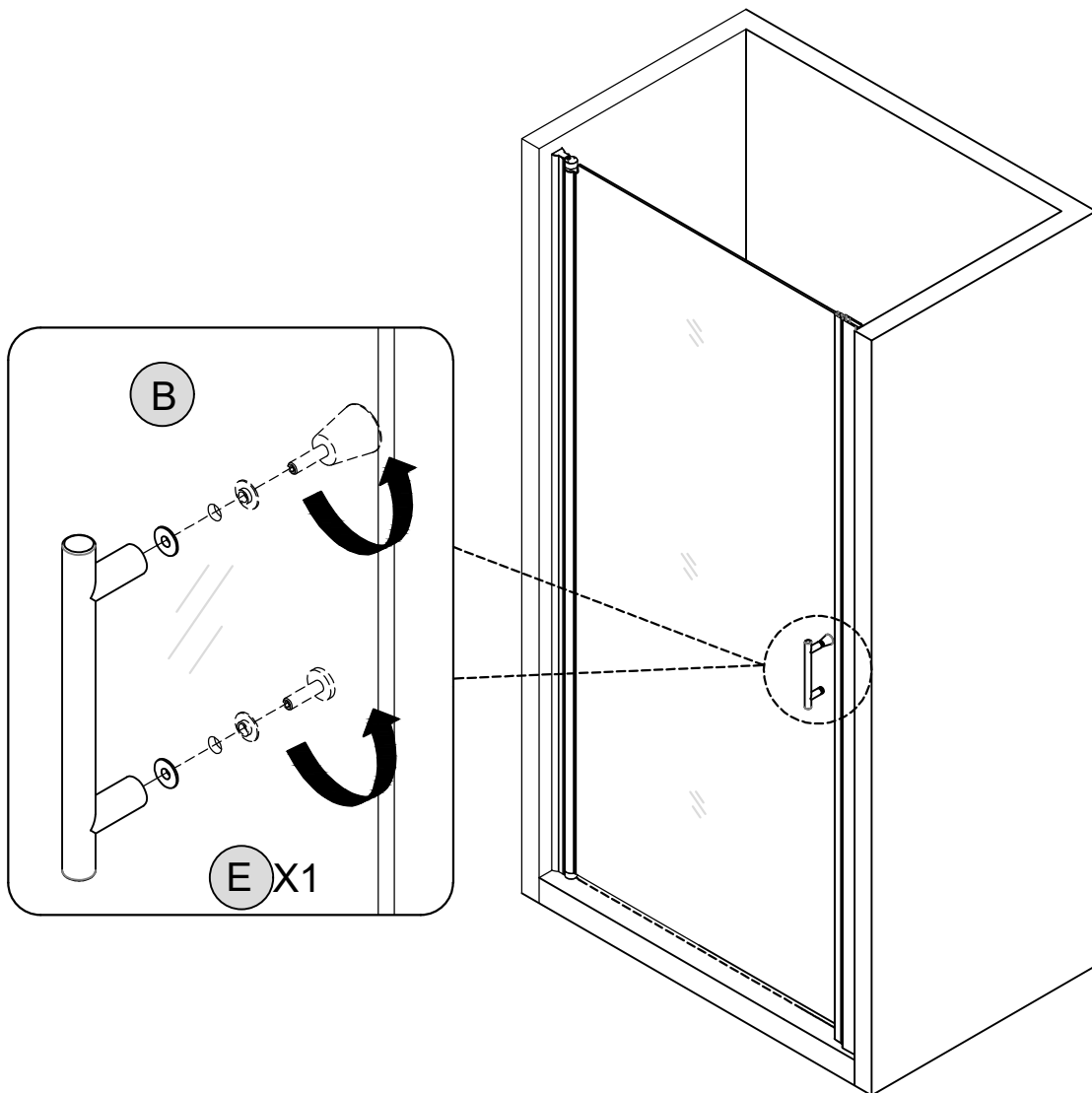
NOTE: Include the washers when installing the ST4.0×10mm Pan Head Screws (dd) and Decorative Caps (cc) .



NOTE: Make sure the magnetic seals close properly!!

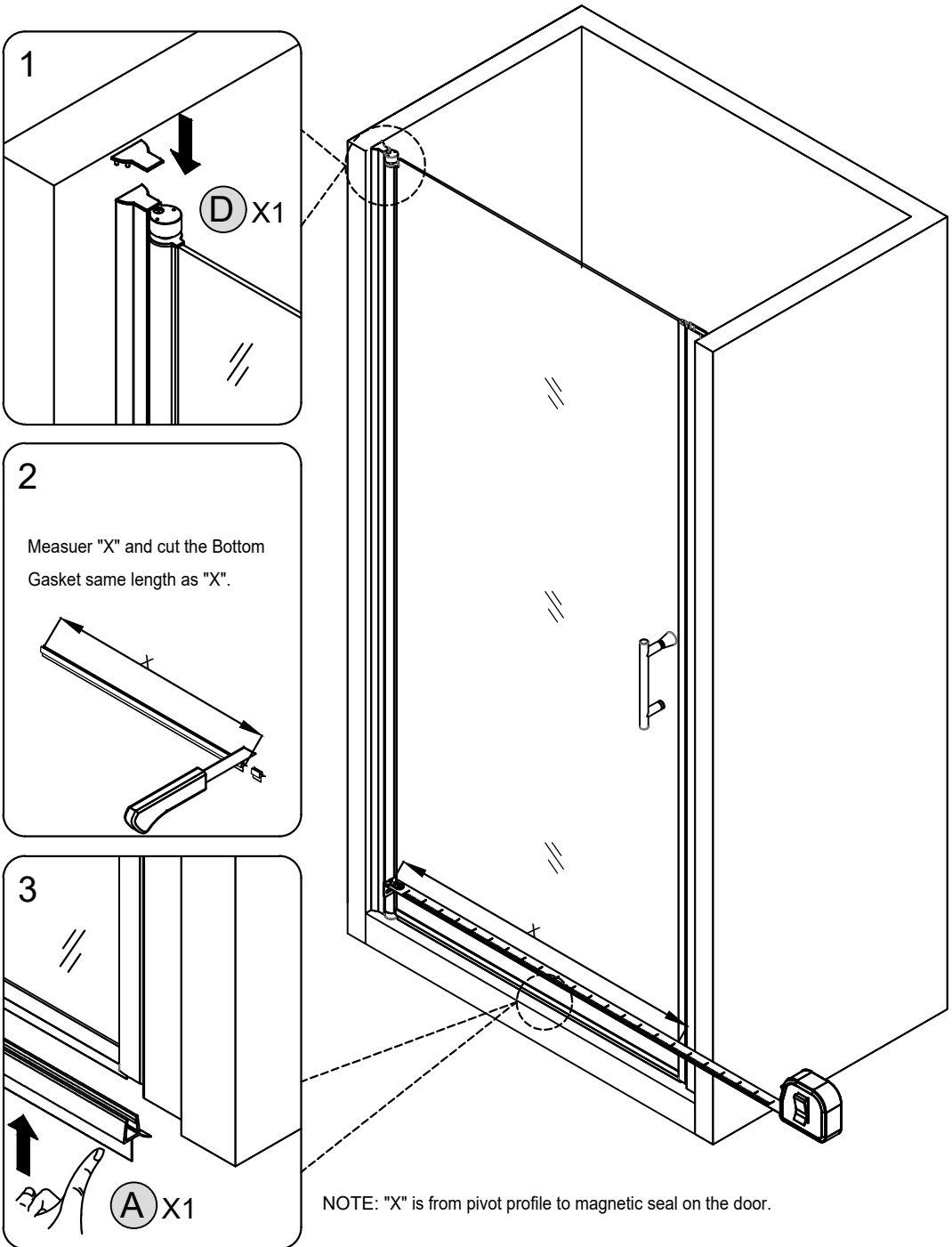
9 Handle Installation

Attach the **Handle (E)** to the **Glass Door (B)** . Be sure to use all of the supplied rubber gaskets to protect the glass.



NOTE: Remove the wood shim(ee) and open the door.

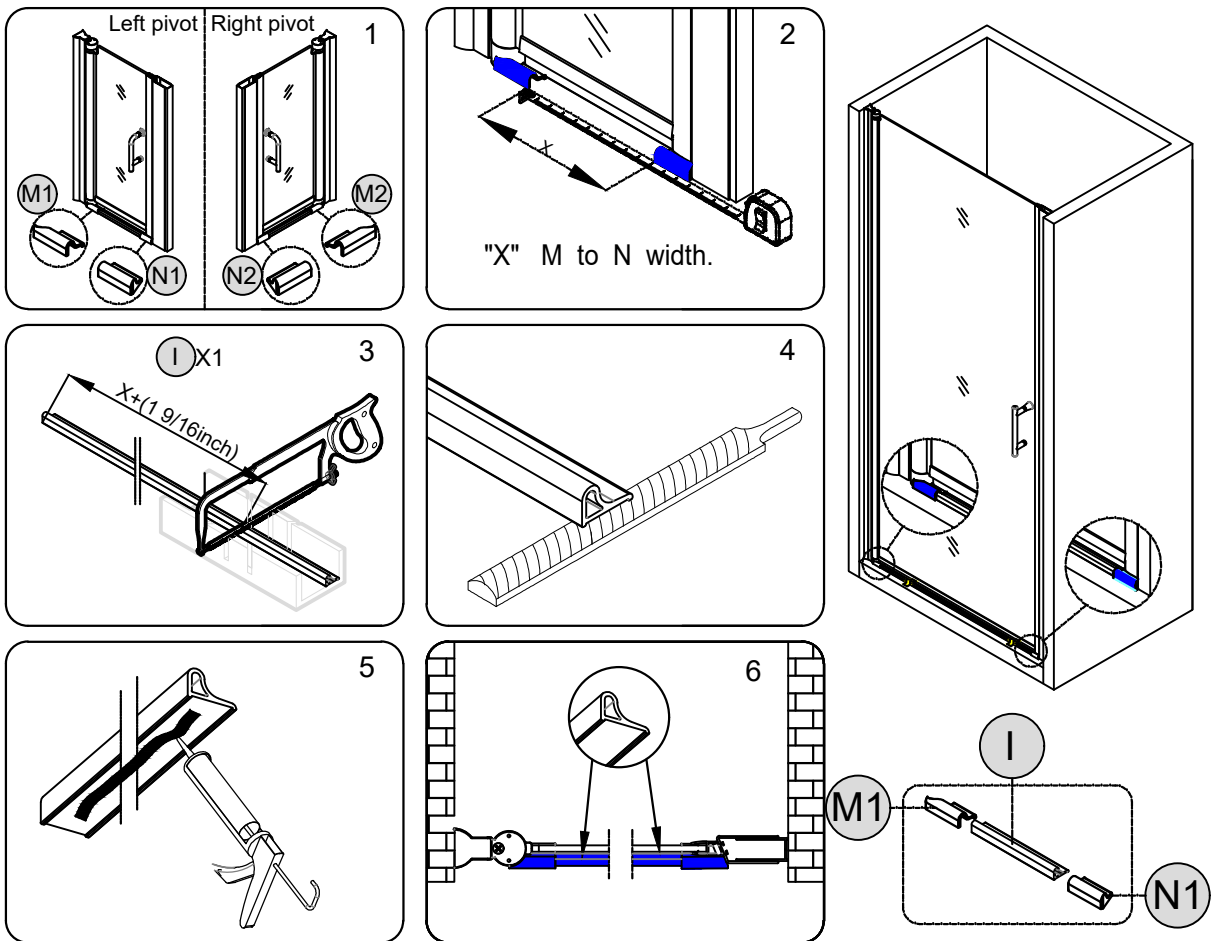
10 Top Cover Cap & Bottom Gasket Installation



11 Alu.Threshold Installation

CAUTION: When cutting or drilling metal components or when handling glass, to reduce the risk of personal injury, protective eye wear, gloves, and closed-toe shoes are required.

1. **Threshold Cap(M&N)** are divided into left and right two types, Select according to the installation method **Threshold Cap(M&N)** as Fig 1;
2. Measure "X" and cut the **Alu. Threshold(I)** same length as " $X+1\ 9/16$ inch" as Fig.2 ; Fig.3 and Fig.4;
3. Apply silicone into the groove along the entire length of the **Alu. Threshold(I)** as Fig 5;
4. Combine the **Alu. Threshold(I)** and **Threshold Cap(M&N)** as Fig.6 .



The large curved lip of the dam strip is intended to face toward the outside of the shower to ensure the flow of water is redirected towards the drain.

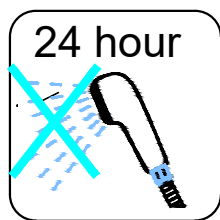
12 SEALING

▲ The surfaces need to be clean and free of debris before applying silicone.

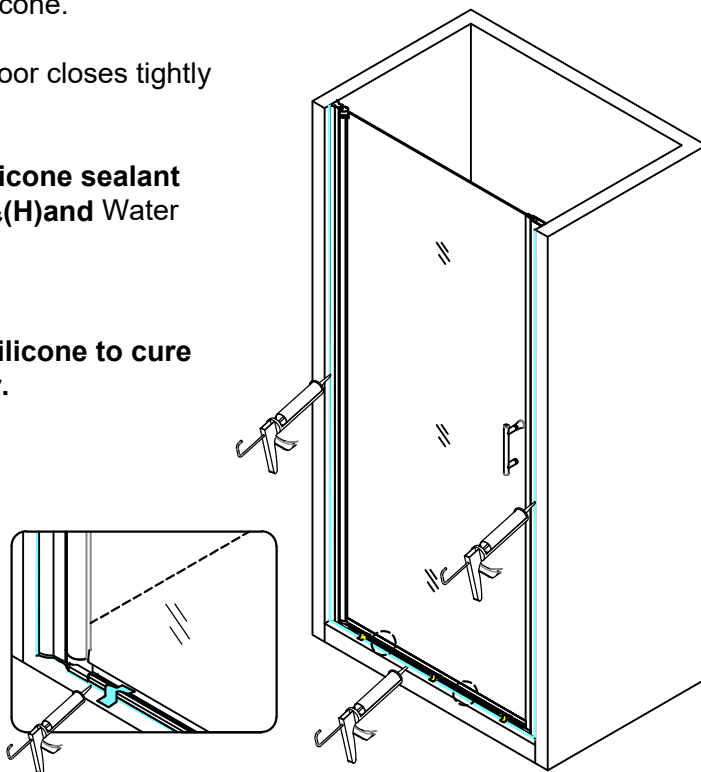
Ensure that the Shower door closes tightly and opens smoothly.

Apply a good quality silicone sealant along the wall Jamb(C)&(H)and Water seal (I) .

▲ **Allow 24 hours for the silicone to cure before using the shower.**



! Apply Silicone Sealant, (not supplied).



13 Complete.

