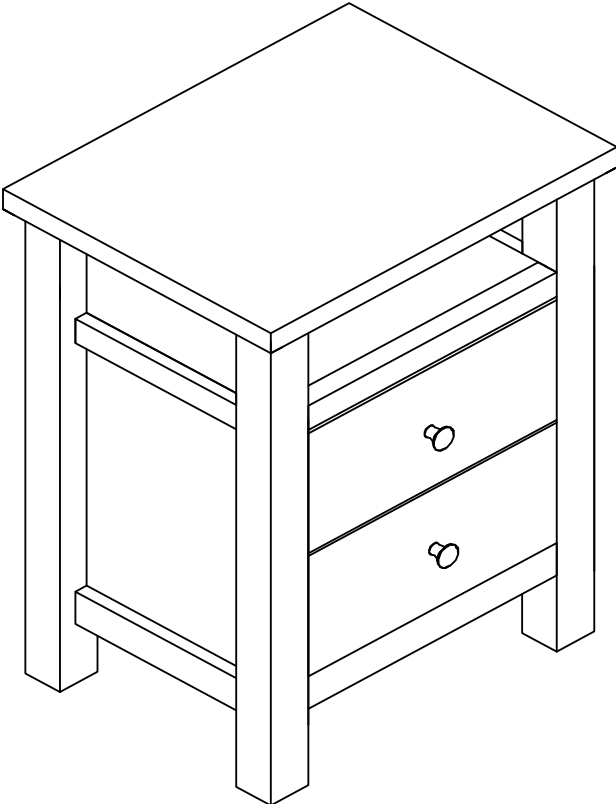


2 DRAWER BEDSIDE

Instruction manual





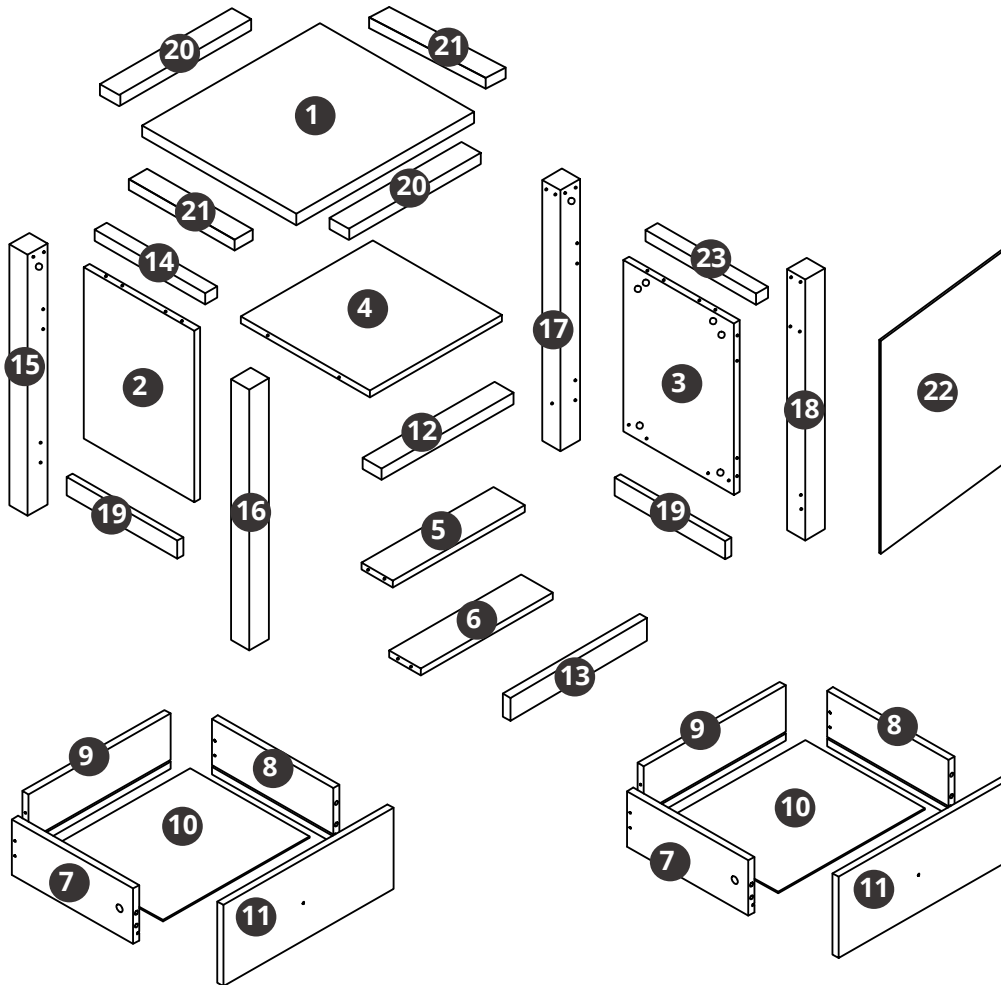
SAFETY AND CARE ADVICE

PLEASE READ THESE INSTRUCTIONS CAREFULLY AND KEEP FOR FUTURE

- *Check you have all the components and tools listed on pages 2 or 3.*
- *Remove all fittings from the plastic bags and separate them into their groups.*
- *Keep children and animals away from the work area, small parts could choke if swallowed.*
- *Make sure you have enough space to layout the parts before starting.*
- *Do not stand or put weight on the product, this could cause damage.*
- *Assemble on a soft level surface to avoid damaging the unit or your floor (use opened out unit carton).*
- *We do not recommend the use of power drill/drivers for inserting screws, as this could damage the unit. Only use hand screwdrivers.*

COMPONENTS — PANELS

Please check you have all the panels listed below:



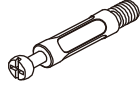
PANEL LIST

1	Top Panel	x1	14	Side Cross Bar	x1
2	Left Side Panel	x1	15	Left Back Frame	x1
3	Right Side Panel	x1	16	Left Front Frame	x1
4	Horizontal panel	x1	17	Right Back Frame	x1
5	Back Base panel	x1	18	Right Front Frame	x1
6	Front Base panel	x1	19	Bottom Cross Bar	x2
7	Drawer Left Side panel	x2	20	Long Cross Bar	x2
8	Drawer Right Side panel	x2	21	Short Cross Bar	x2
9	Drawer Back Side panel	x2	22	Back Panel	x1
10	Drawer Base Panel	x2	23	Side Cross Bar	x1
11	Drawer Front Panel	x2			
12	Middle Cross Bar	x1			
13	Bottom Cross Bar	x1			

COMPONENTS — FITTINGS

Please check you have all the fittings listed below:

A



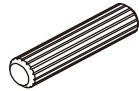
Peg M6*35mm x32

B



Lock M15*12mm x32

C



Dowel M8*30mm x40

D



Handles x2

E



Screw M4*40mm x8

F



Screw M3*12mm x20

G



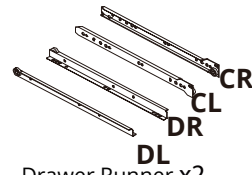
Pin x24

H



Plastic Feet x4

CR CL DR DL



Drawer Runner x2

I



Screw M4*20mm x2

J



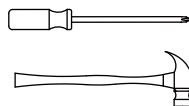
Screw M4*25mm x4

K



Hole cover x4

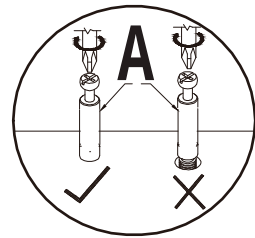
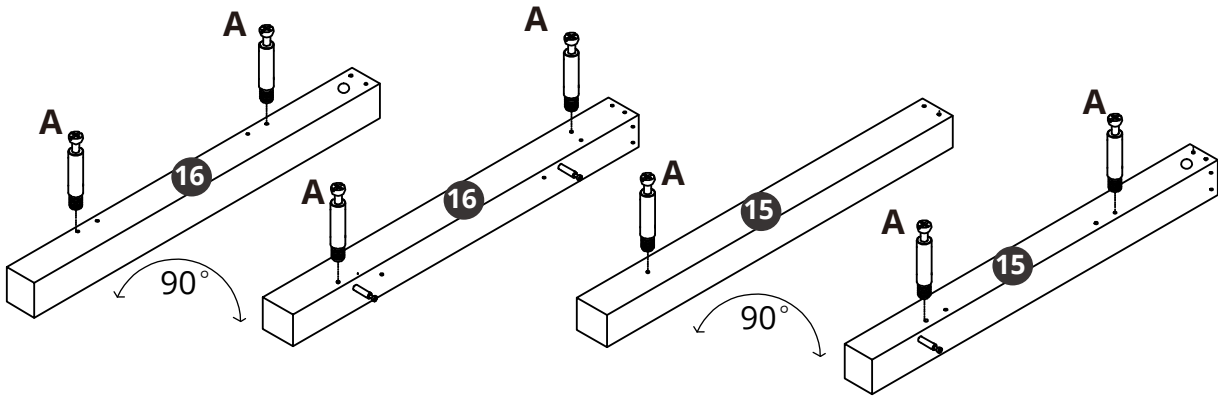
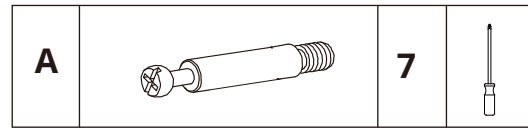
TOOLS NEEDED
(We don't provide)



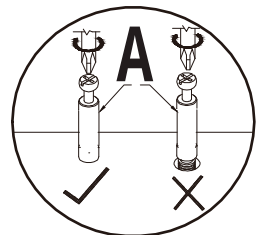
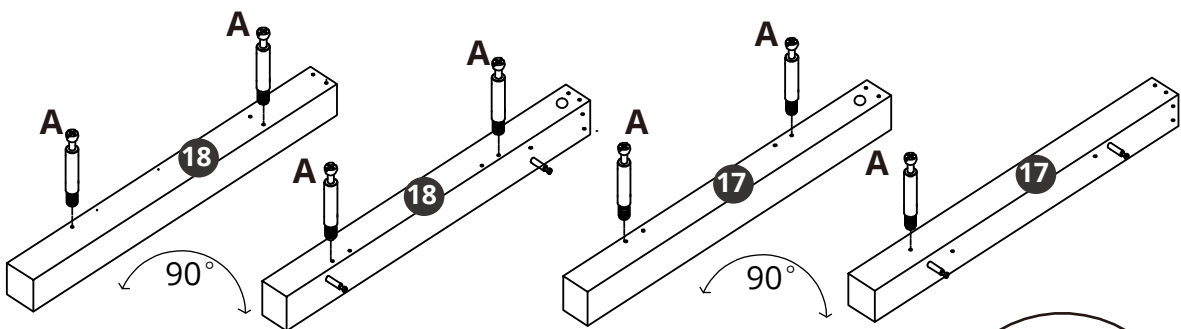
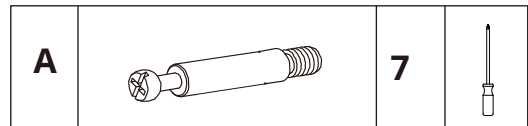
Phillips Screwdriver x 1
Hammer x 1

ASSEMBLY INSTRUCTIONS

Step 1

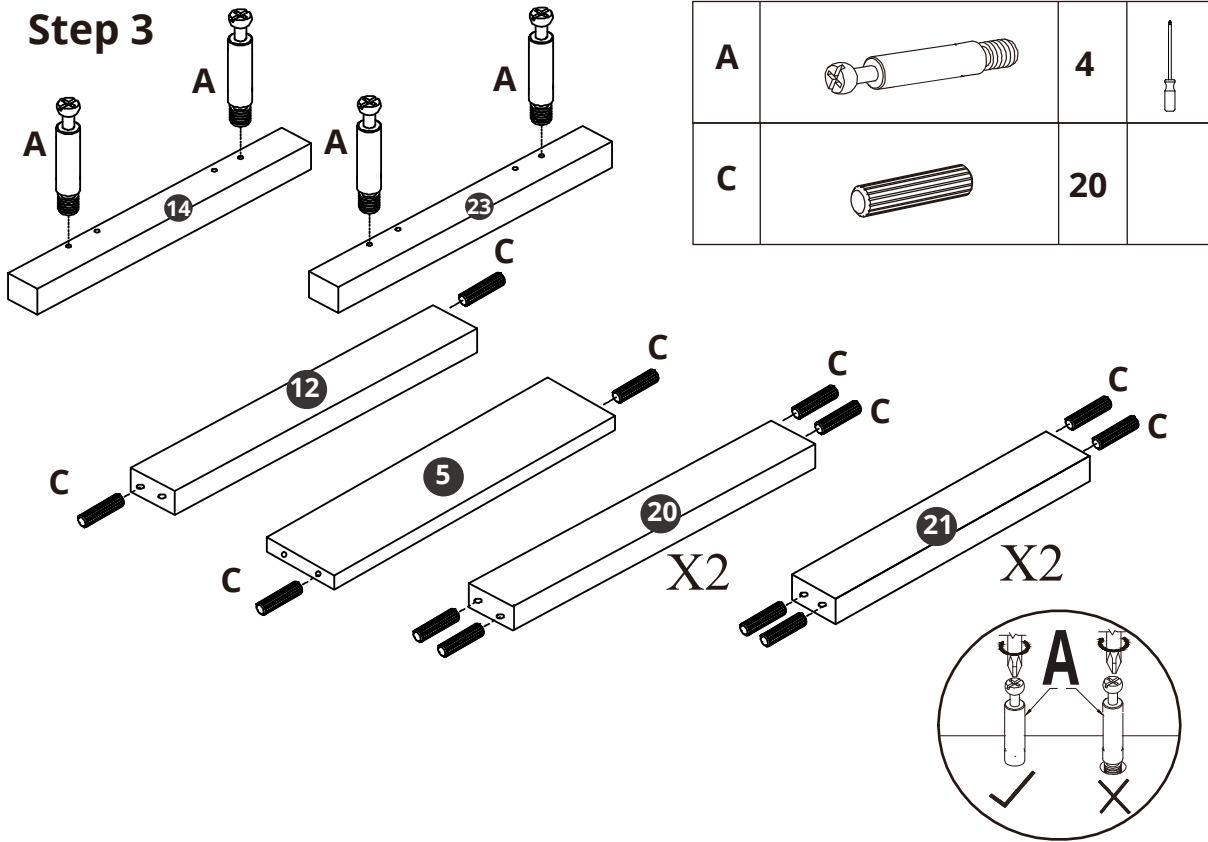


Step 2

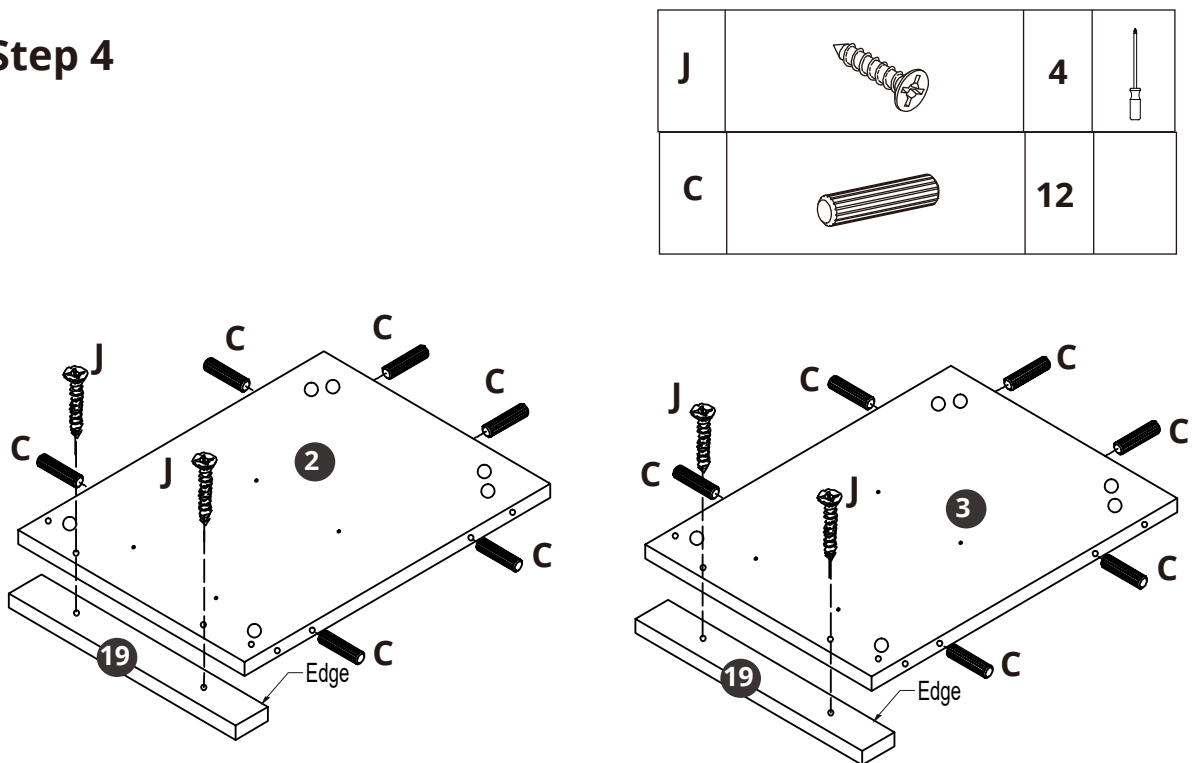


ASSEMBLY INSTRUCTIONS

Step 3

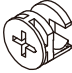



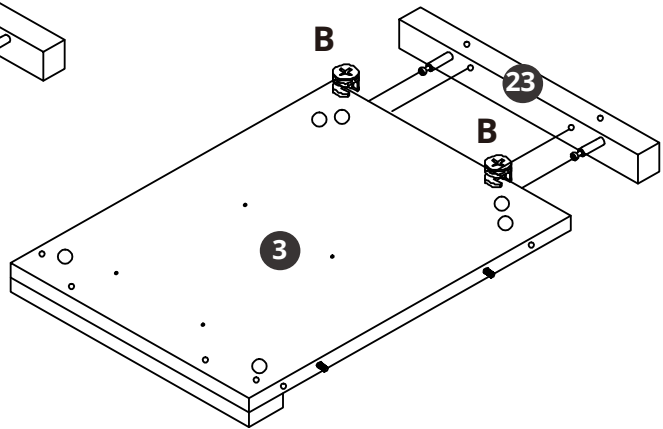
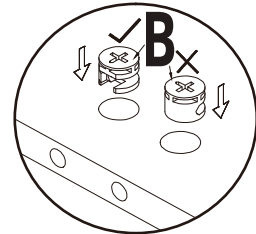
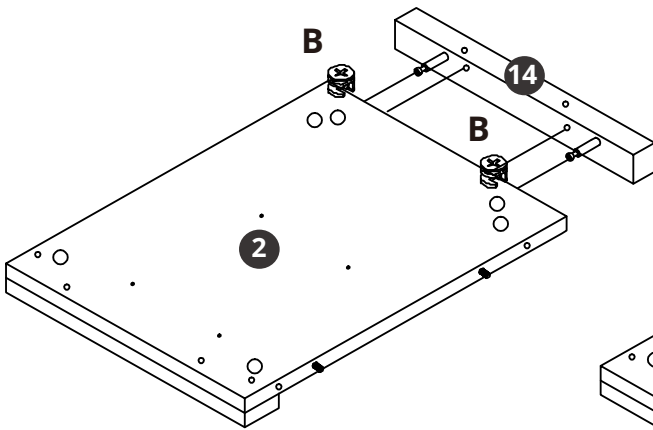
Step 4



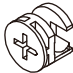

ASSEMBLY INSTRUCTIONS

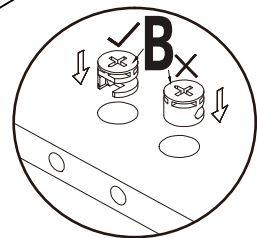
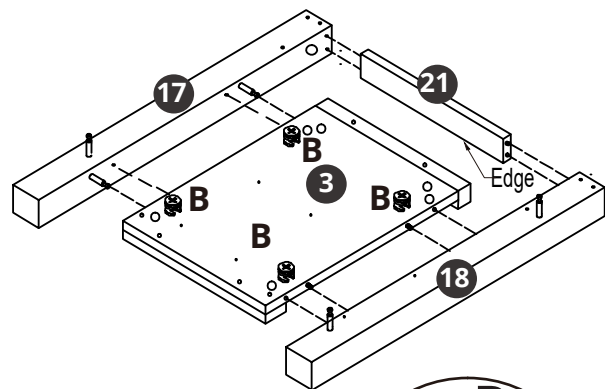
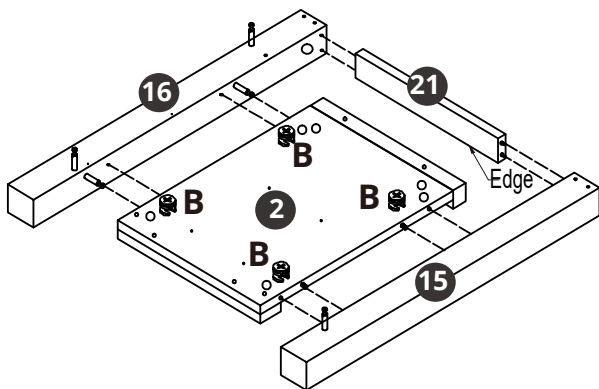
Step 5

B		4	
---	---	---	---



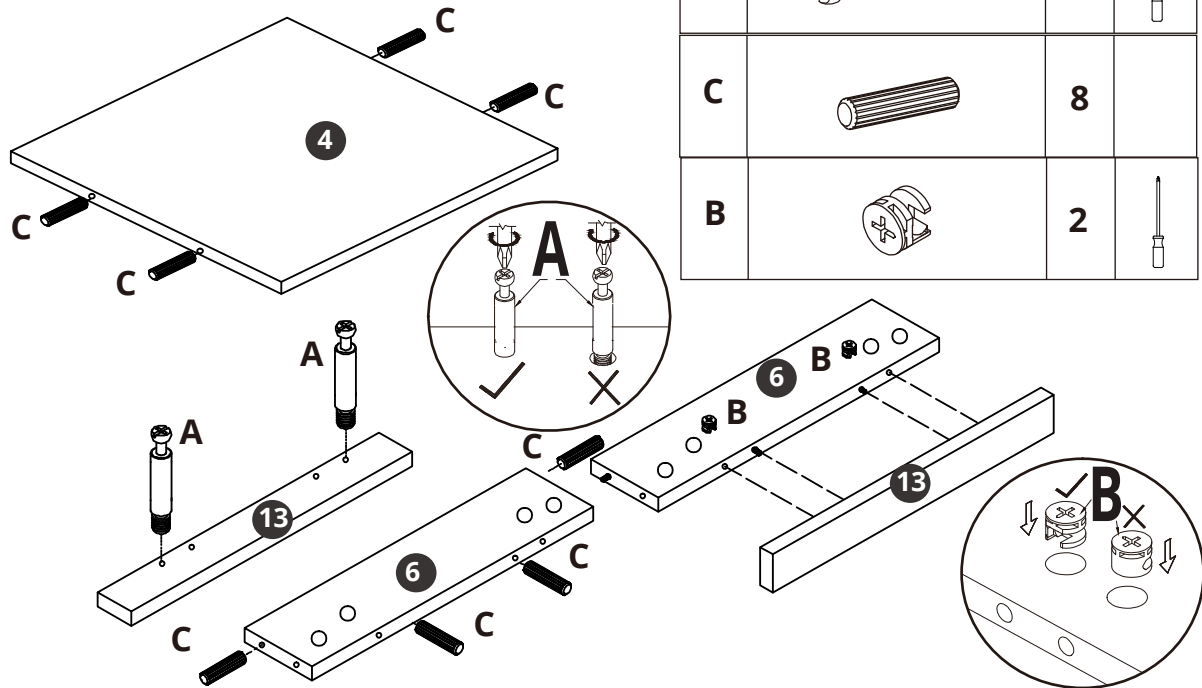
Step 6

B		8	
---	---	---	---

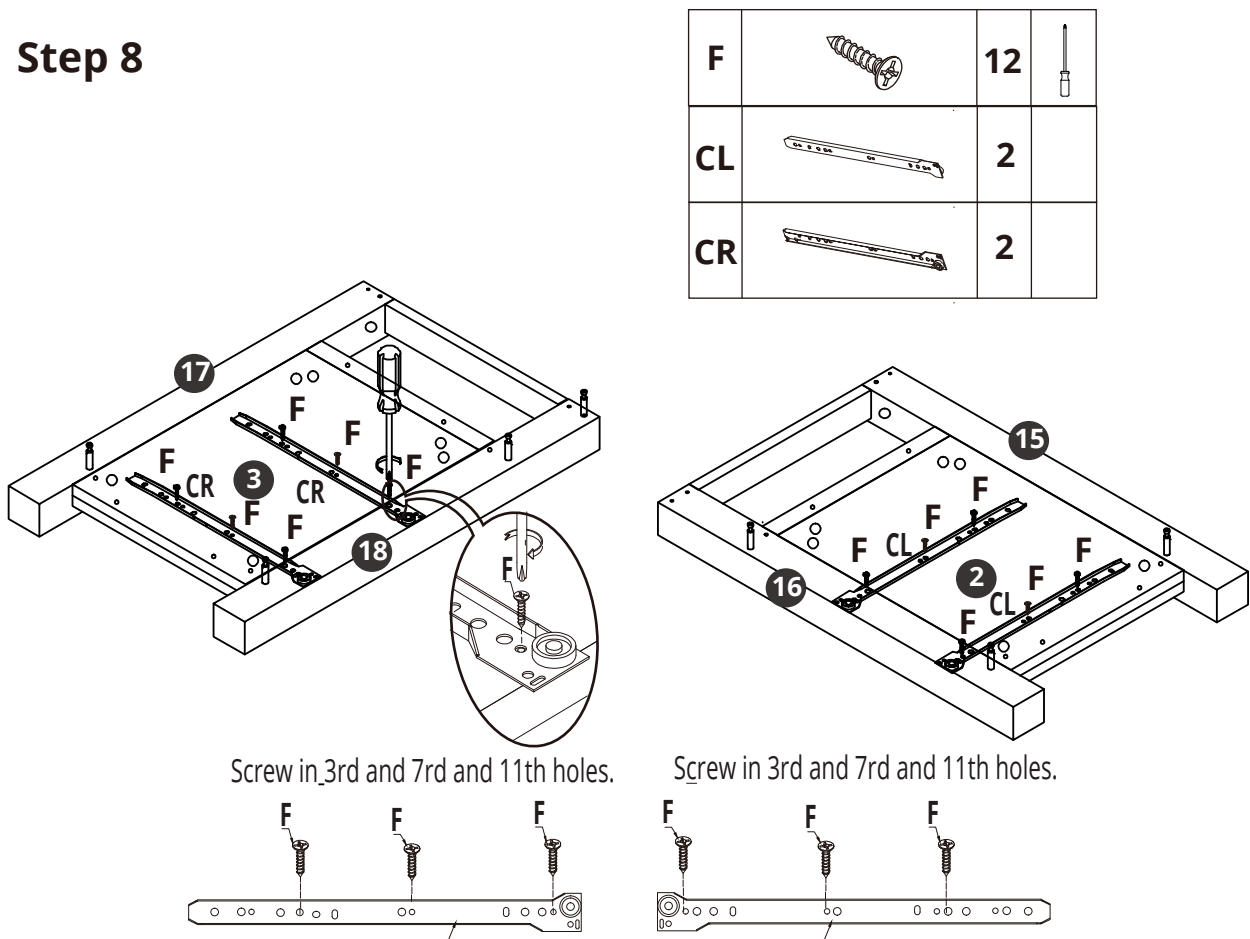


ASSEMBLY INSTRUCTIONS

Step 7

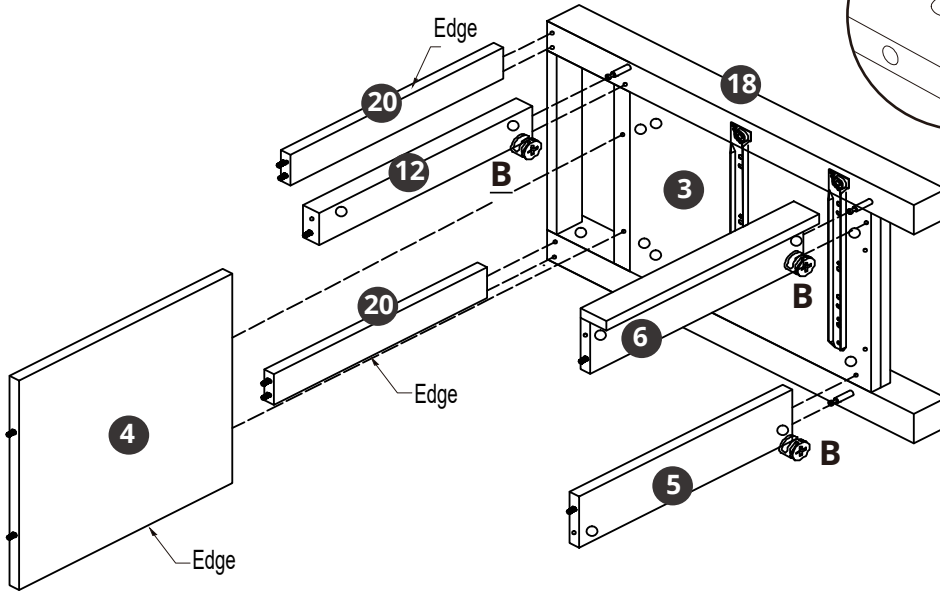
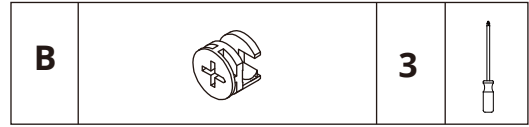


Step 8

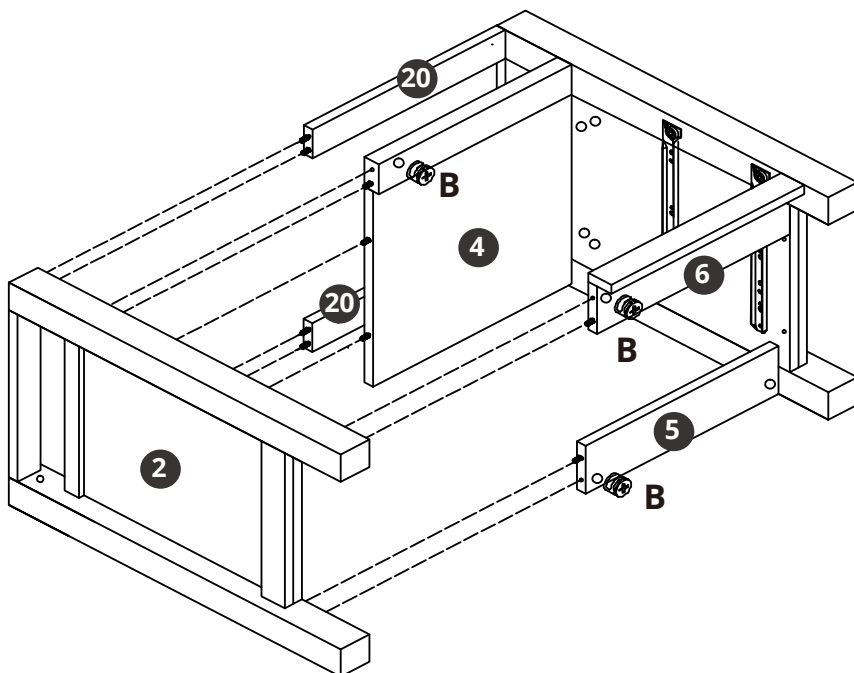
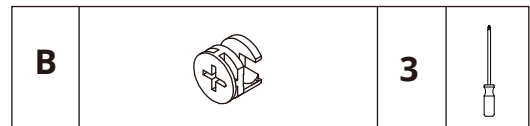


ASSEMBLY INSTRUCTIONS

Step 9

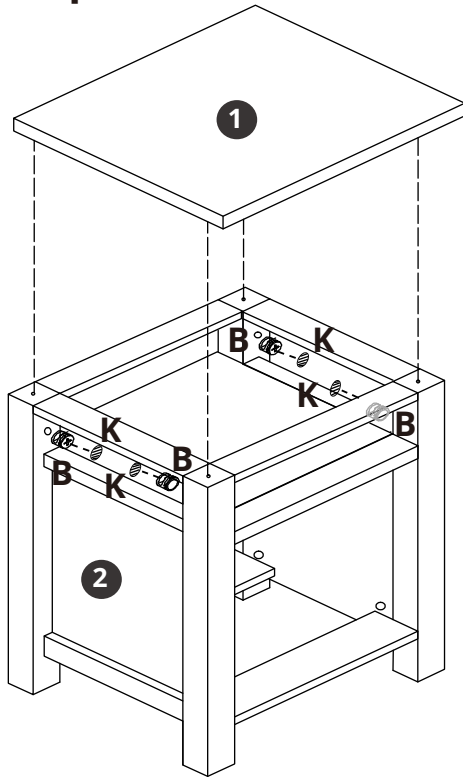







Step 10

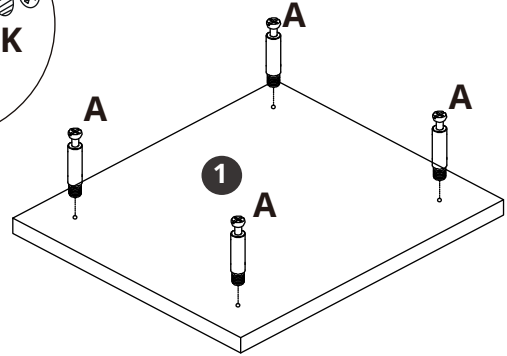
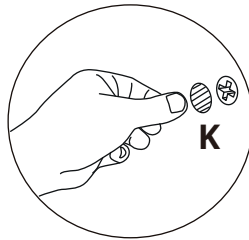


ASSEMBLY INSTRUCTIONS

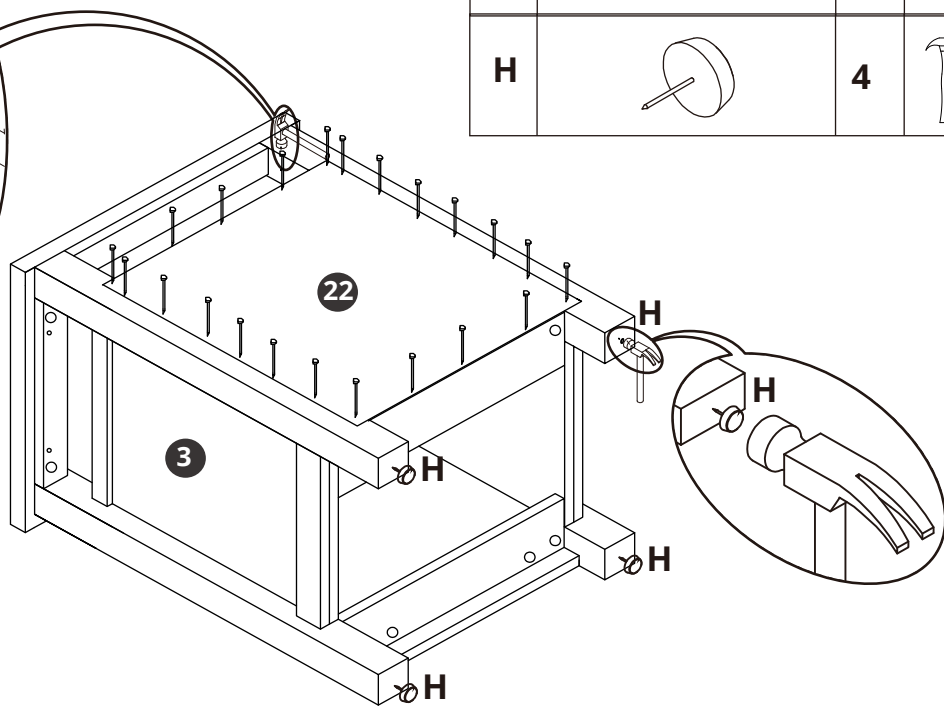
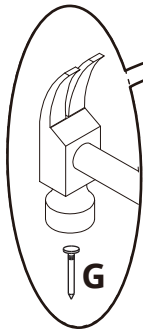
Step 11







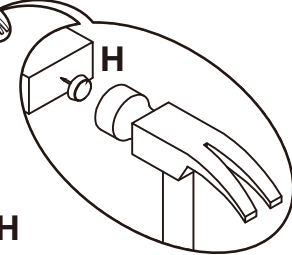
A		4	
B		4	
K		4	



Step 12

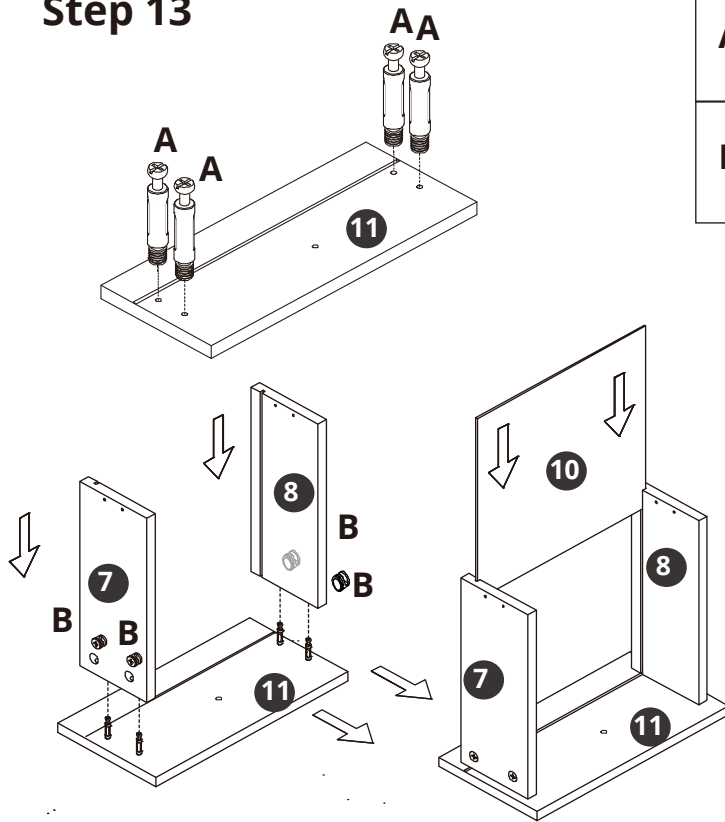


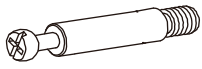

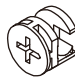

G		24	
H		4	

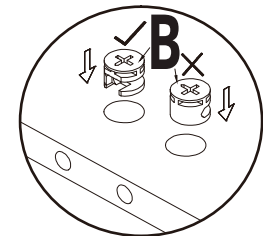
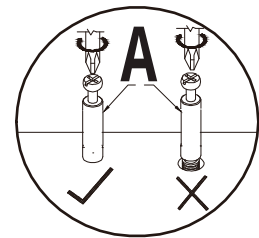


ASSEMBLY INSTRUCTIONS

Step 13

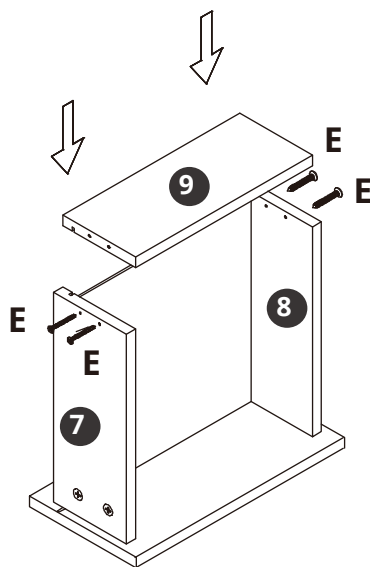




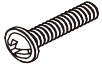


A		8	
B		8	

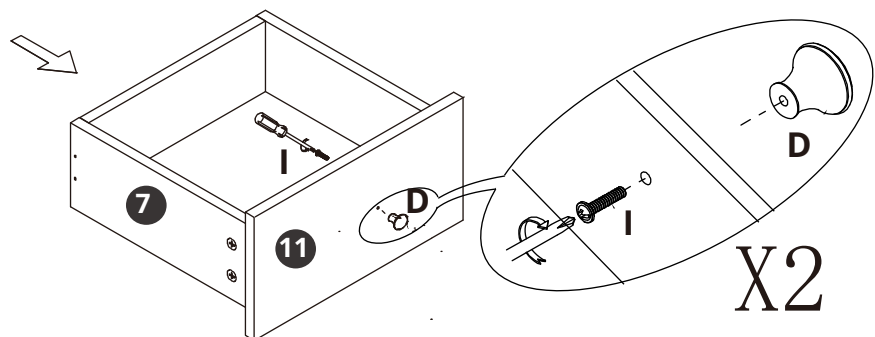


X2

Step 14



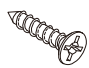

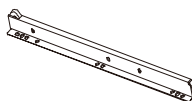
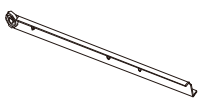
E		8	
I		2	
D		2	

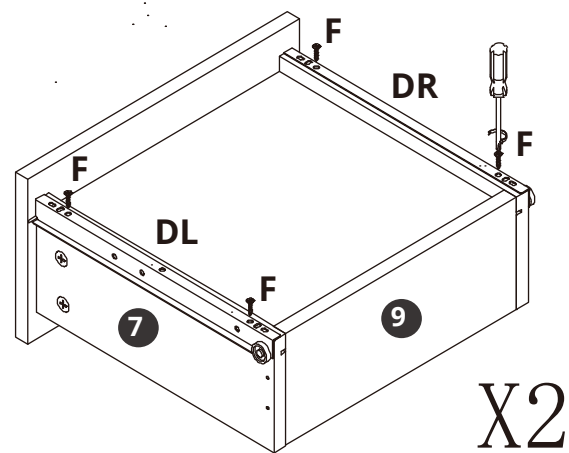
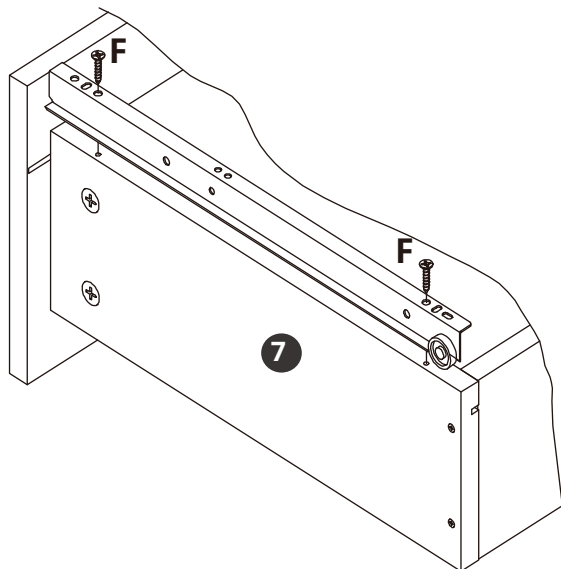


X2

ASSEMBLY INSTRUCTIONS

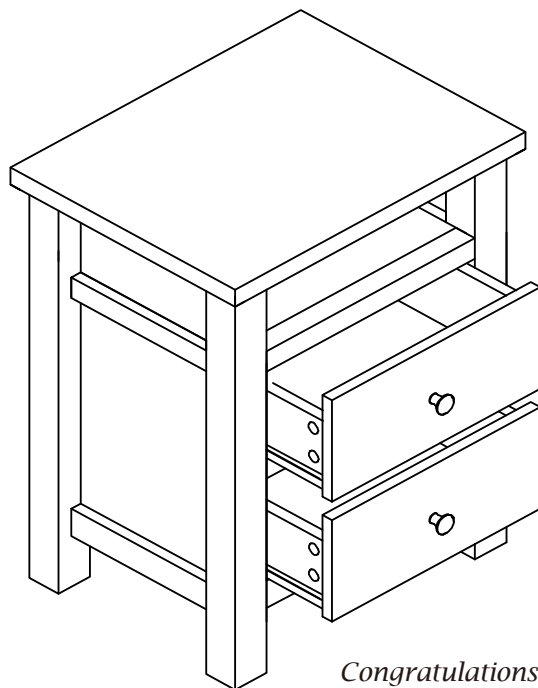
Step 15

F		8	
DR		2	
DL		2	



X2

Step 16



*Congratulations!
Now you have finished assembling the product.*