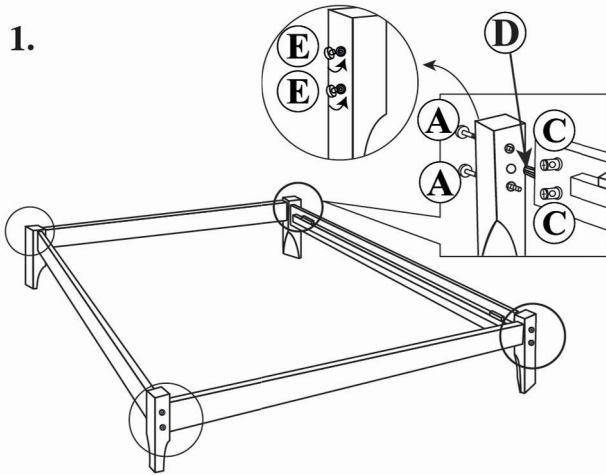


Q / K

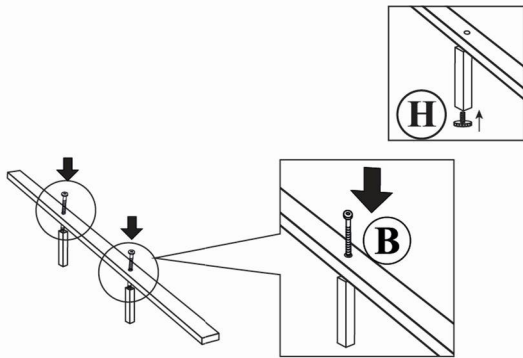
1.



Attach the headboard and footboard (P1) to the side rail (P2) using hardware :

A = 8pcs
C = 8pcs
D = 4pcs
E = 8pcs

2.



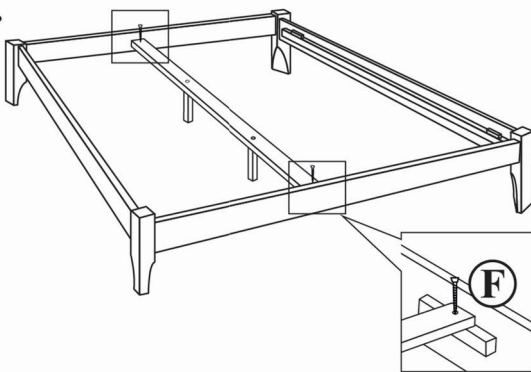
Fix the adjuster (H) to the support leg (P4) using hardware :

H = 2pcs

Attach the support legs (P4) to the centre rail (P3) using hardware :

B = 2pcs

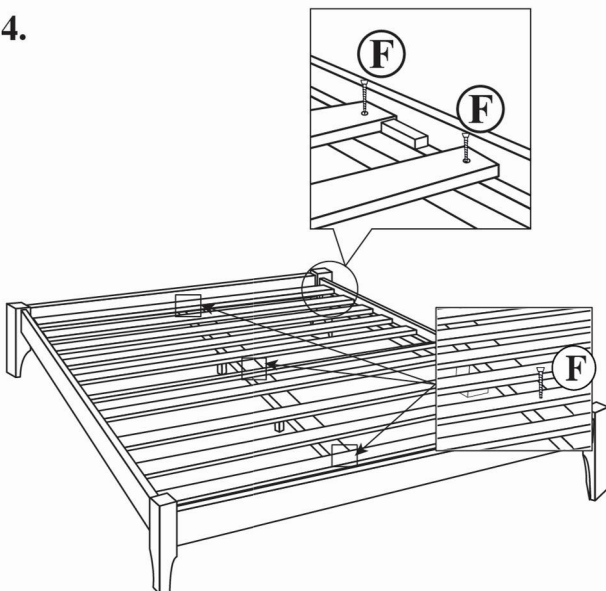
3.



Attach the centre rail (P3) to the headboard & footboard using hardware :

F = 2pcs

4.



Lay the slats (P5) between the side rail (P2) using hardware :

F = 30pcs (Q/K)






Attach the slats (P5) to the centre rail (P3) using hardware :

F = 3pcs









WARNING!!

- Remove hardware from box and sort by size.
- Please check to see that hardware and parts are present prior start of assembly.
- Please follow attached instruction in the same sequence numbered to ensure fast and easy assembly.
- Do not use this bed if any part is broken, torn or missing.
- The assembly of this product requires two people.
- Do not use any power tools as this may damage the frame and will invalidate any claim.

PART LIST

P1		Headboard Footboard	= 1set
P2		Side Rail	= 2pcs
P3		Centre Rail	= 1pcs
P4		Support leg	= 2pcs
P5		Bed Slats (Q/K)	= 15pcs

HARDWARE LIST

A		M6 x 90mm JCBC	8pcs
B		M6 x 50mm JCBC	2pcs
C		BARREL NUT	8pcs
D		Ø8 x 35mm WOOD DOWEL	4pcs
E		WOODEN PLUG	8pcs
F		M4 X 25mm SCREW (Q/K)	35pcs
G		ALLEN KEY	1pcs
H		ADJUSTER	2pcs

