

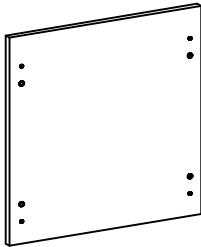
Ax2



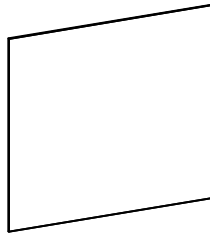
Bx1



Cx2

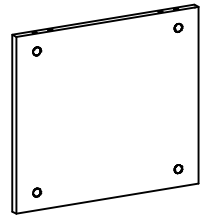


Dx1

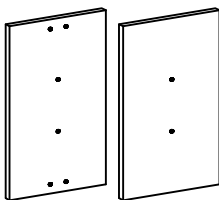


$$\frac{429 \times 358}{16.8 \times 14.1}$$

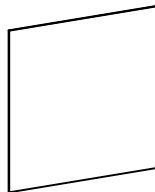
Ex1



Fx1

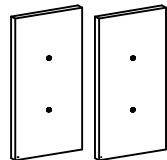


Gx1



$$\frac{300 \times 300}{11.8 \times 11.8}$$

Hx1



Ix1



$\frac{328 \times 80}{12.9 \times 3.1}$

Jx1



Kx1

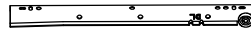


$\frac{285 \times 90}{11.2 \times 3.5}$

Lx2



DRx1



DLx1



CRx1



CLx1



Mx24



Nx24



Ox12



Px30



Qx1



Rx1



$M6 \times \frac{12}{0.5}$

Sx4



$M3.5 \times \frac{12}{0.5}$

Tx8



$M3.5 \times \frac{25}{1.0}$

Ux6



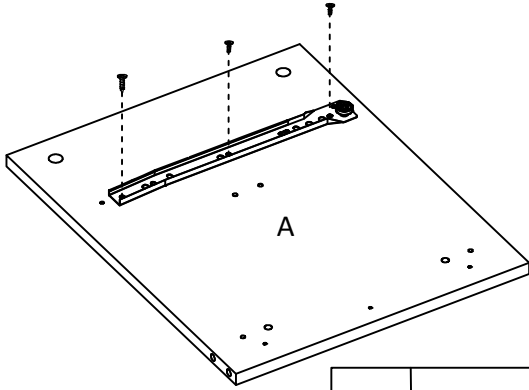
Vx2






Wx1

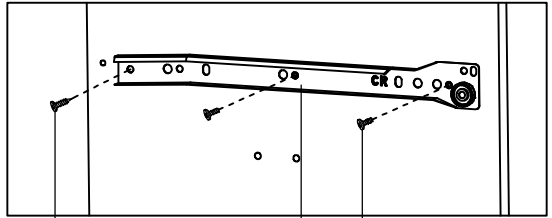


①



a

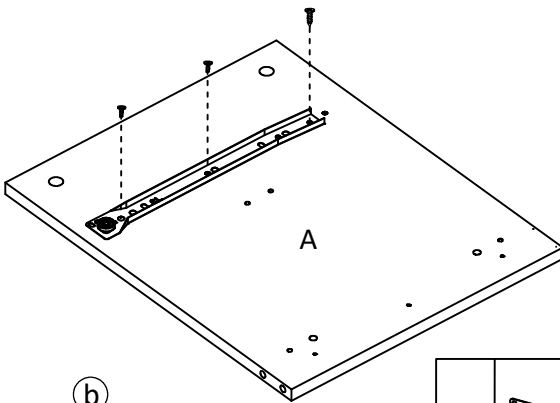
Tx1 	Sx2 
M3.5x $\frac{12}{0.5}$	M6x $\frac{12}{0.5}$
	CRx1 






Tx1

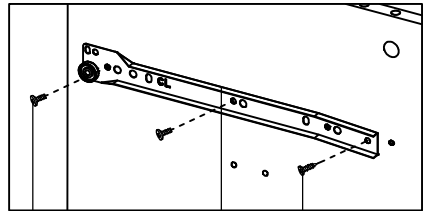
CRx1 Sx2

②



b

Tx1 	Sx2 
M3.5x $\frac{12}{0.5}$	M6x $\frac{12}{0.5}$
	CLx1 

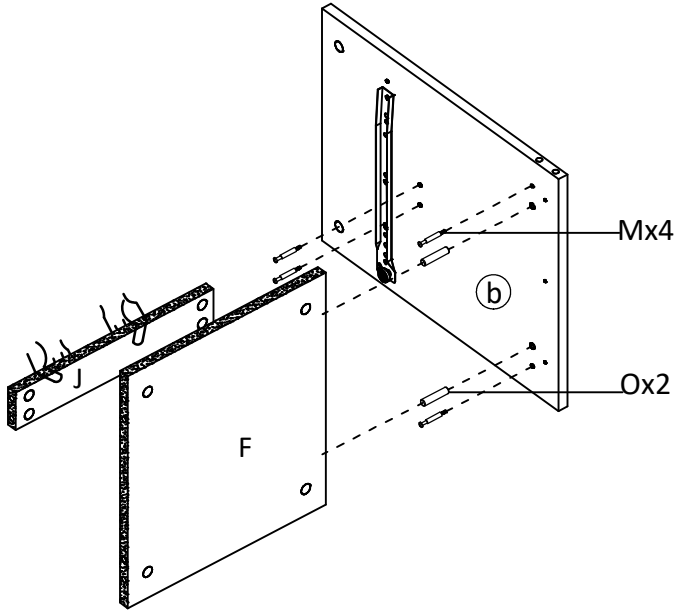


Sx2

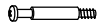
CLx1

Tx1

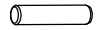
③



Mx4

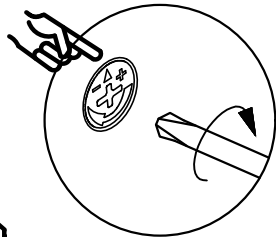
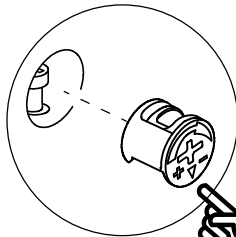


Ox2

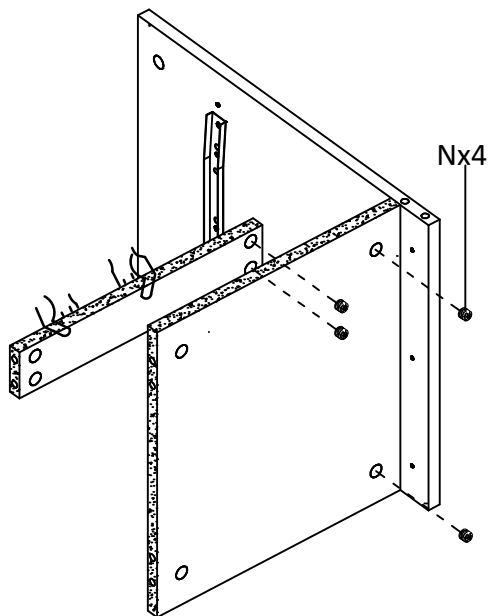


Mx4

Ox2



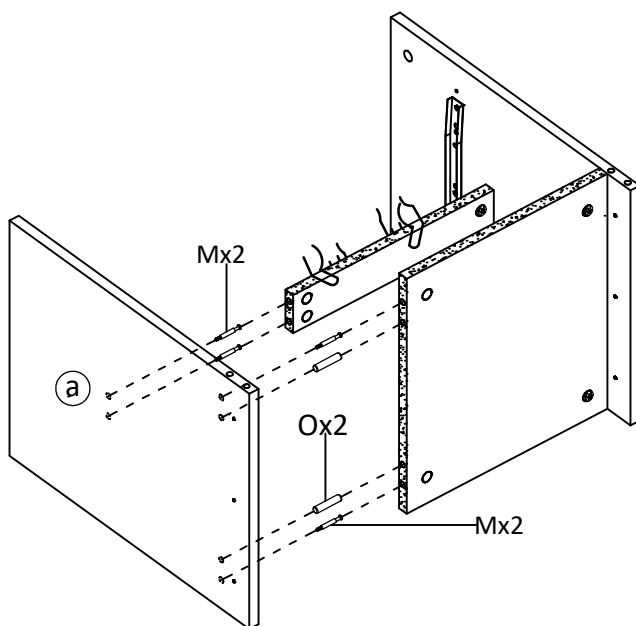
4



Nx4



5



Mx4

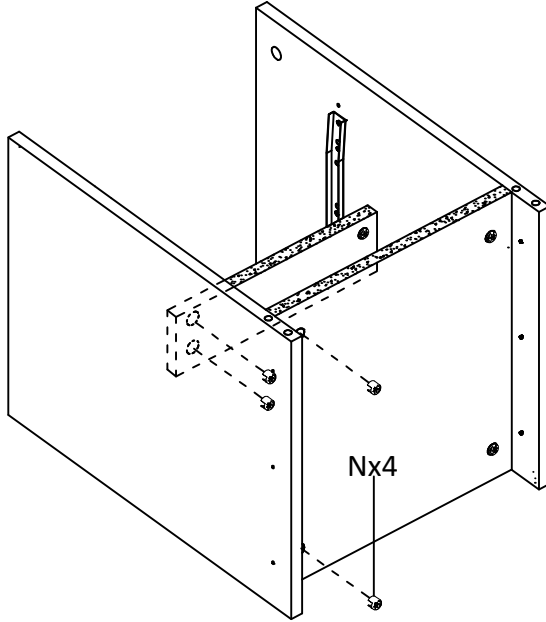


Ox2



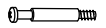
6

Nx4

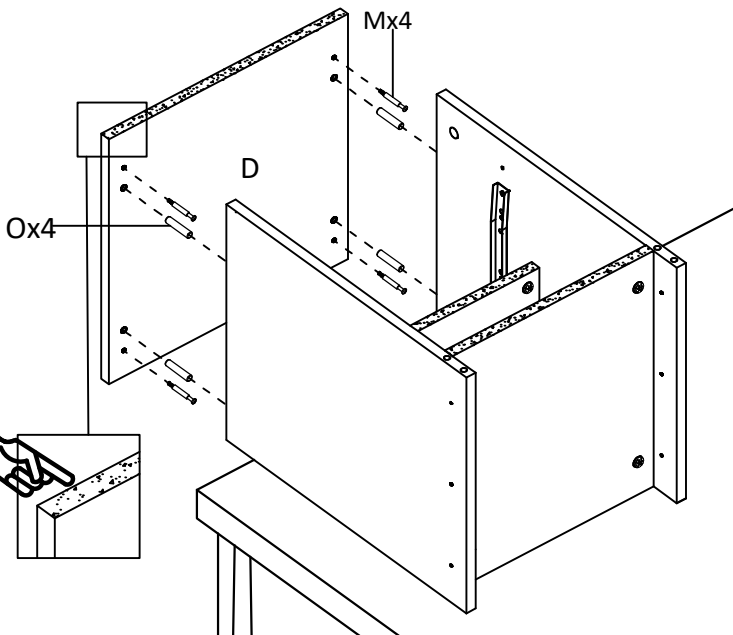
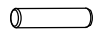


7

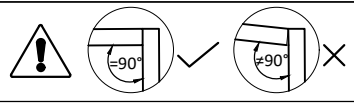
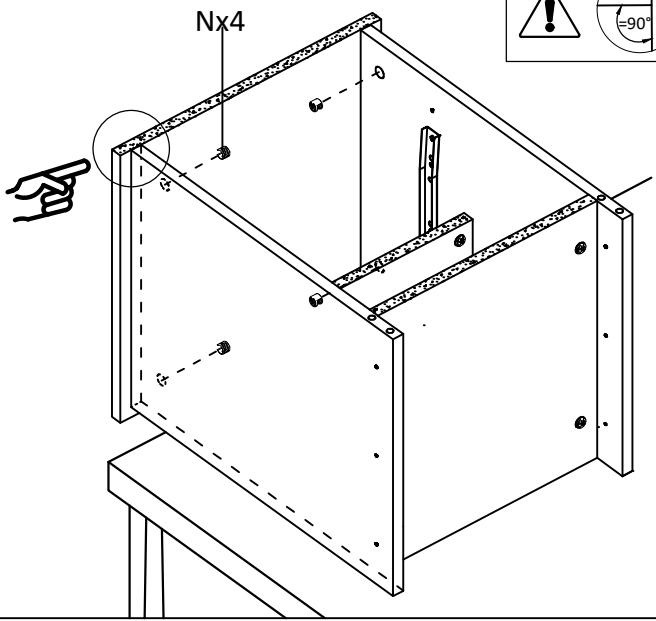
Mx4



Ox4



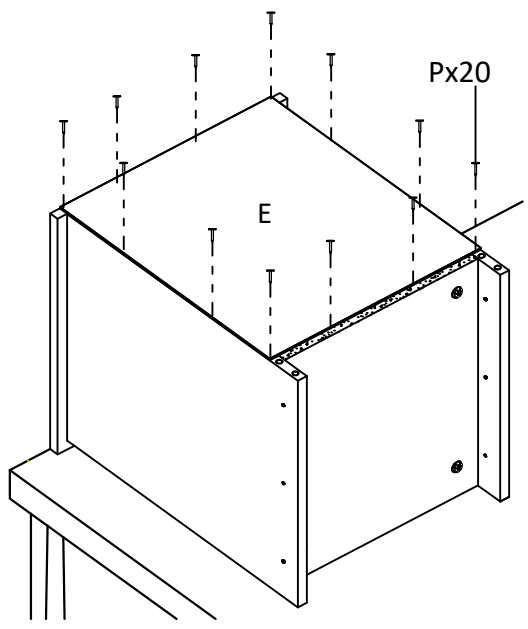
8



Nx4



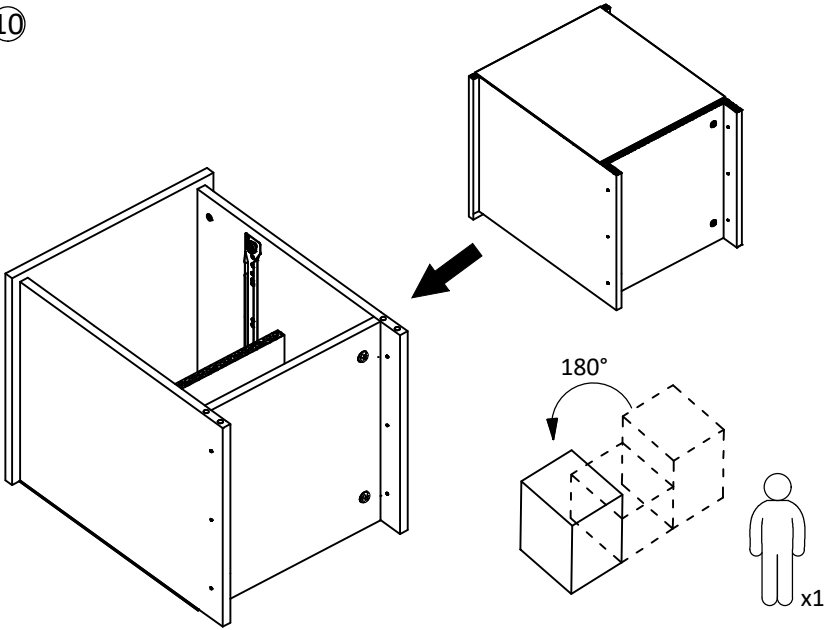
9



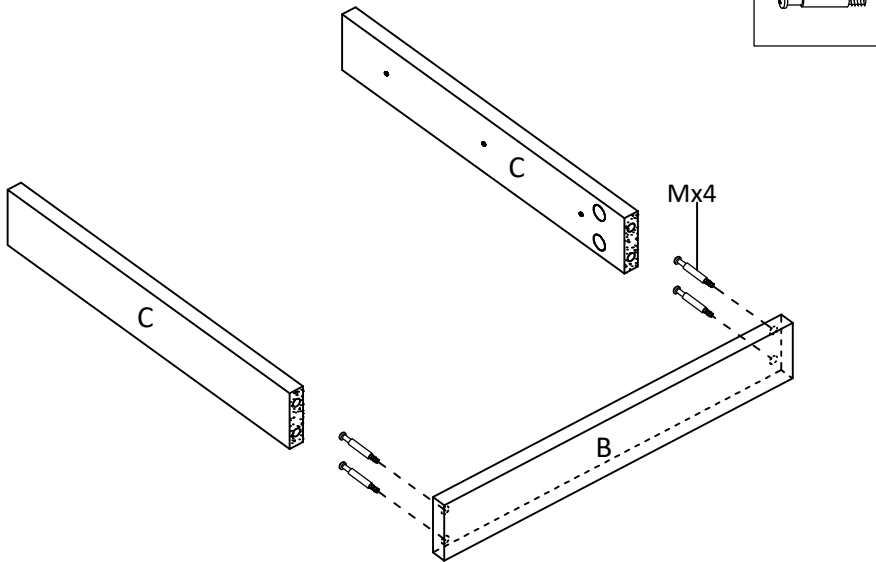
Px20



10



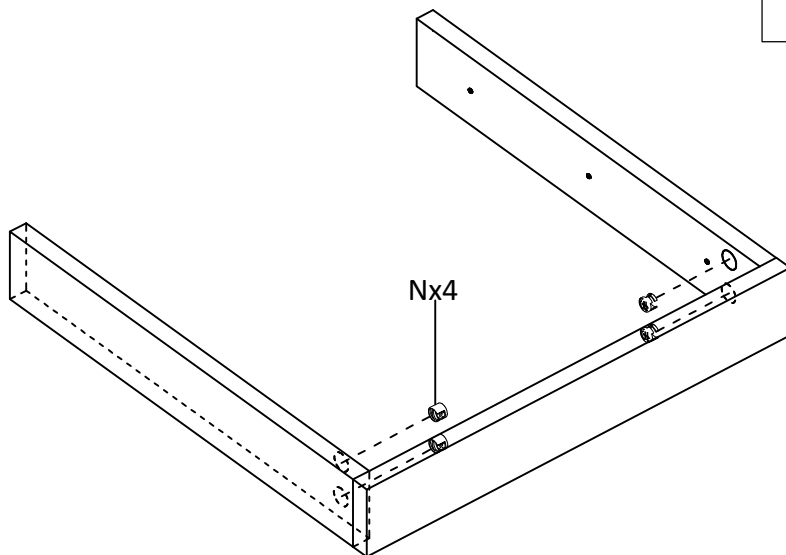
11



Nx4



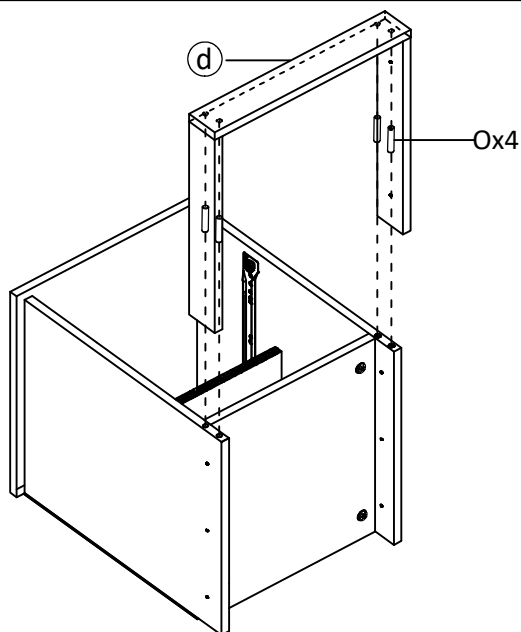
12



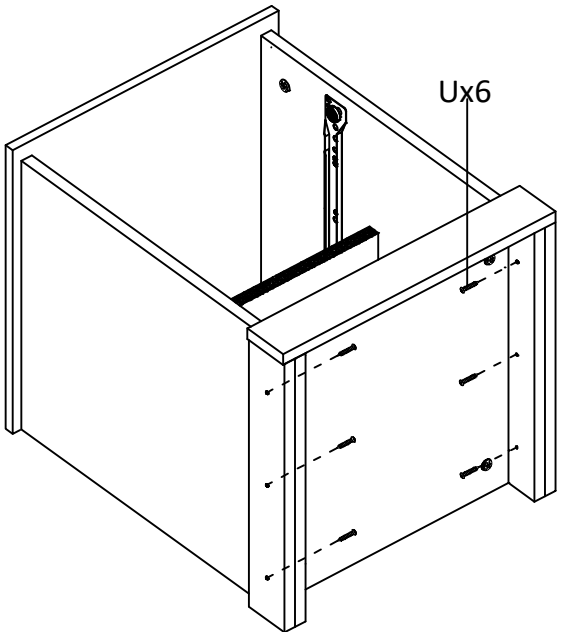
Ox4

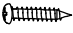


13

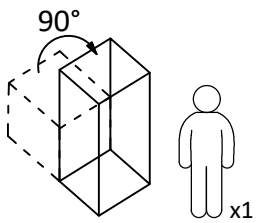
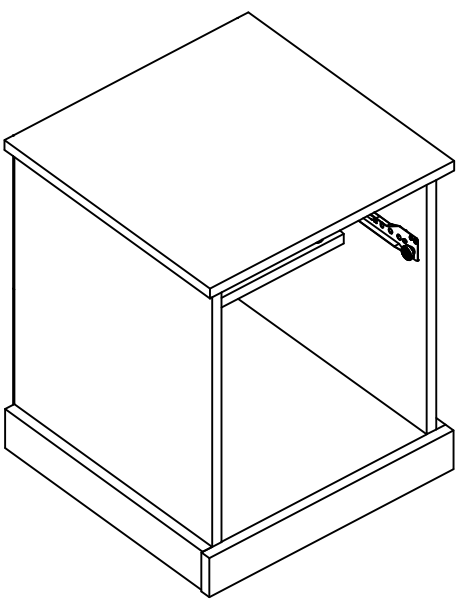
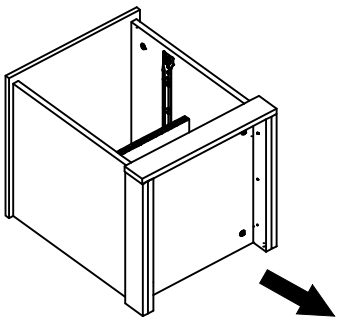


14

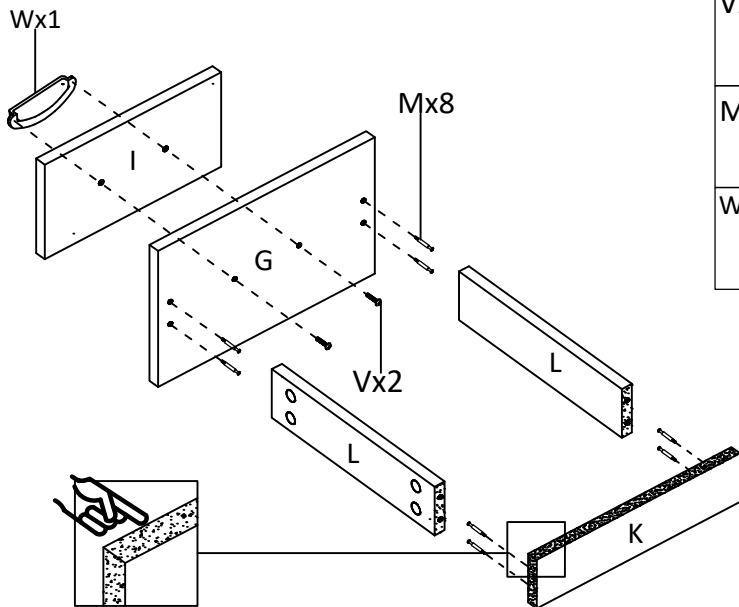


Ux6 
M3.5x $\frac{25}{1.0}$

15



16



Vx2



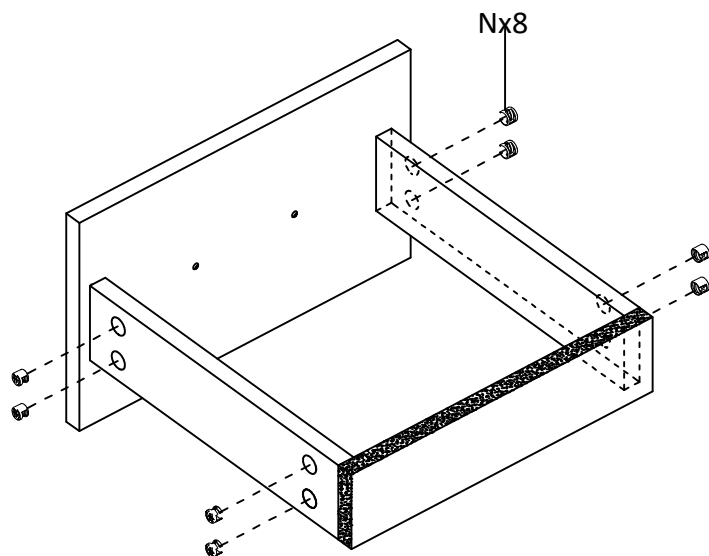
Mx8



Wx1



17



Nx8

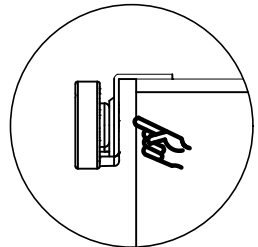
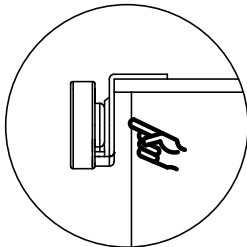
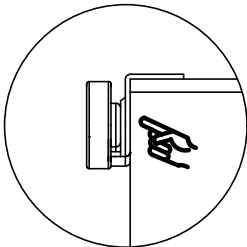
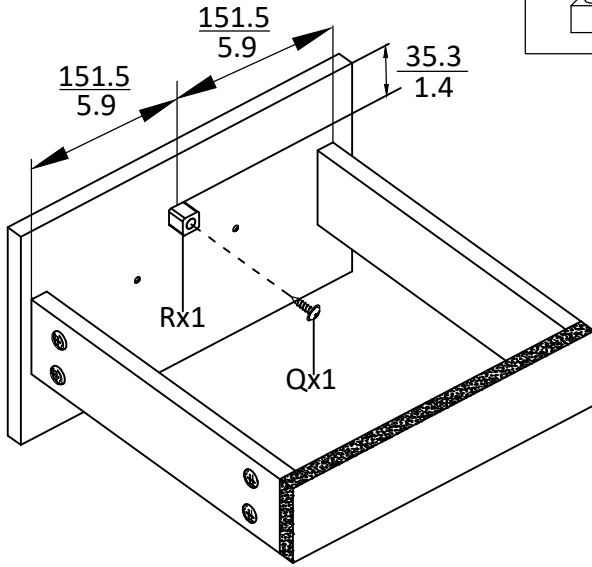


18

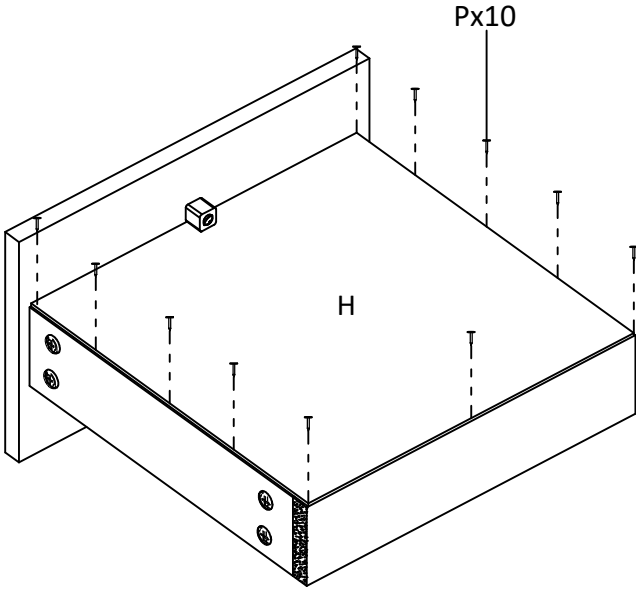
Rx1



Qx1



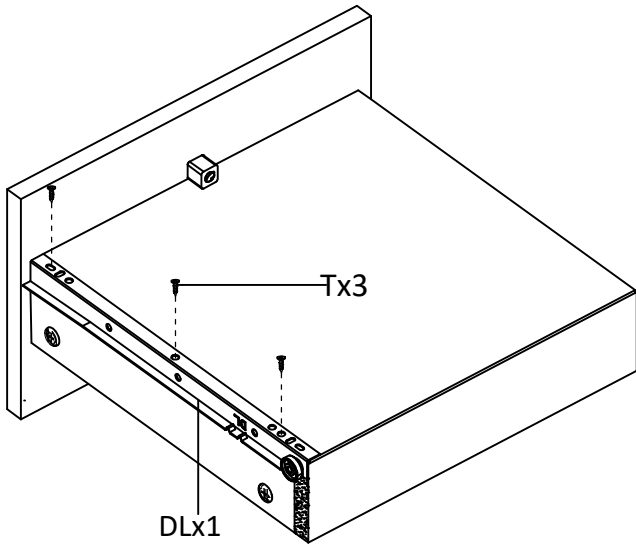
19

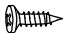


Px10



20

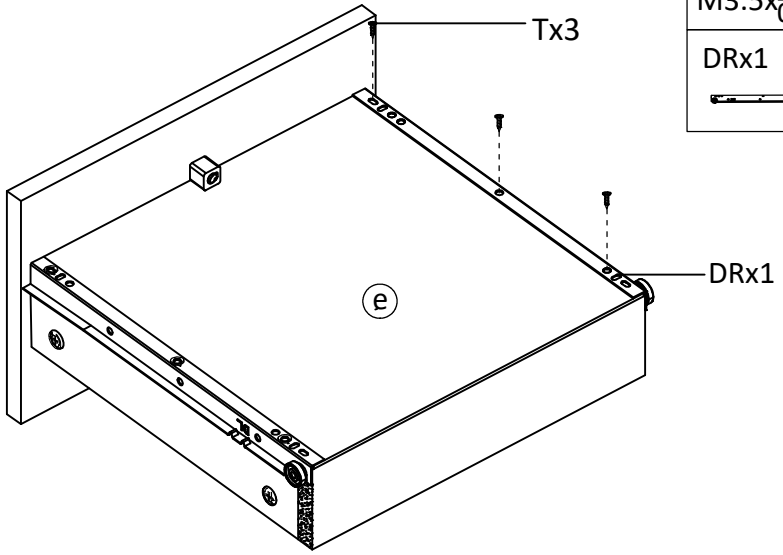



Tx3 
M3.5x $\frac{12}{0.5}$

DLx1



21



Tx3 
M3.5x $\frac{12}{0.5}$

DRx1



22

