


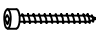



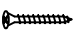
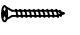
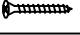





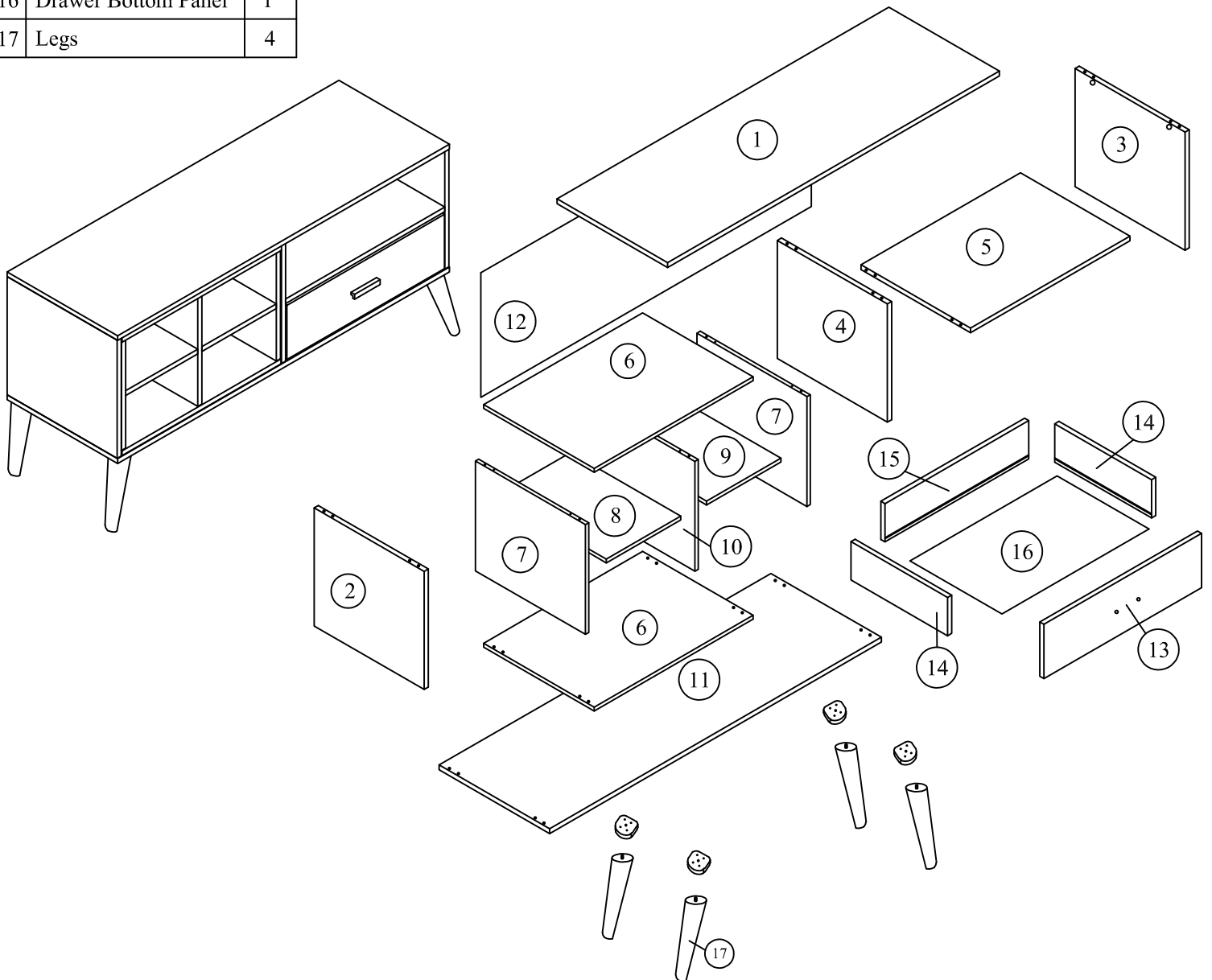


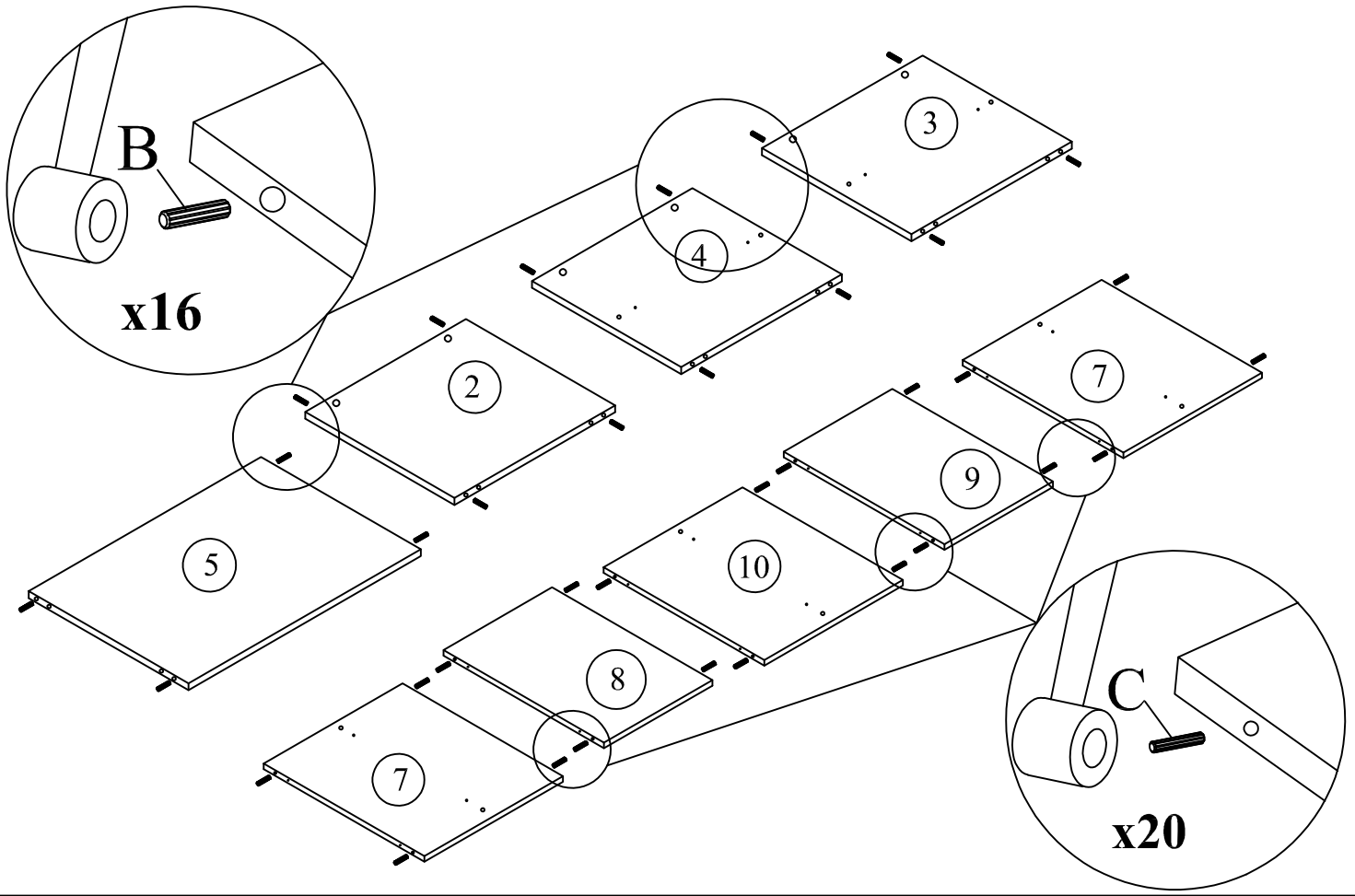
Assembly Instructions

Part List		QTY
1	Top Panel	1
2	Left Side Panel	1
3	Right Side Panel	1
4	Middle Panel	1
5	Middle Rack Panel	1
6	Top/Bottom Inner Panel	2
7	Side Inner Panel	2
8	Left Inner Shelf	1
9	Right Inner Shelf	1
10	Middle Inner Panel	1
11	Bottom Panel	1
12	Back Panel	1
13	Drawer Front Panel	1
14	Drawer Side Panel	2
15	Drawer Back Panel	1
16	Drawer Bottom Panel	1
17	Legs	4

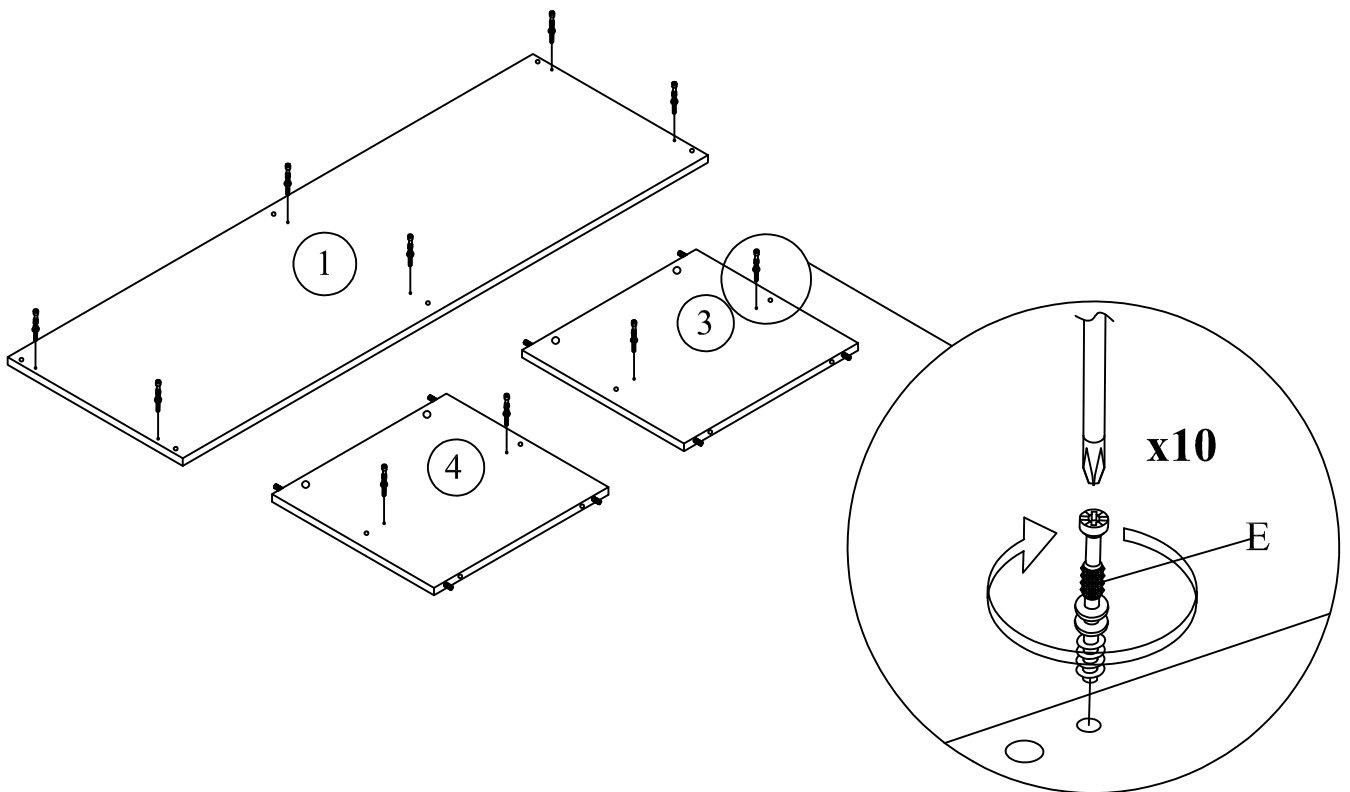
Hardware		QTY
A	Allen Key M4 	1
B	Plastic Dowel 	16
C	Wood Dowel 	20
D	JCBC W Screw M6x40 	6
E	Mini Fix Bolt 	10
F	Mini Fix Housing 	10
G	Mini Fix Cap 	10
H	CSK Screw M4x20mm 	16
I	CSK Screw M3.5x16mm 	12
J	CSK Screw M4x50mm 	26
K	Drawer Slider 	1
L	Handle Screw 	2
M	Nail 	36
N	Mounting Leg 	4
O	Handle 	1



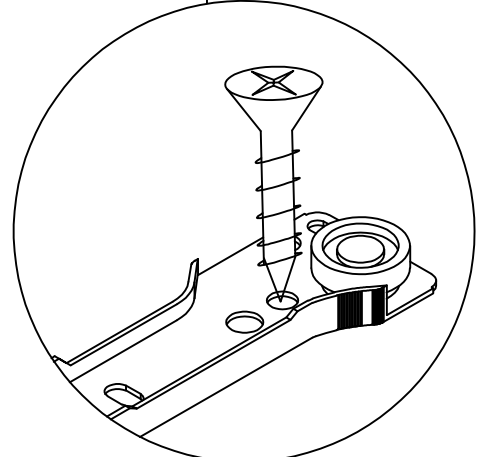
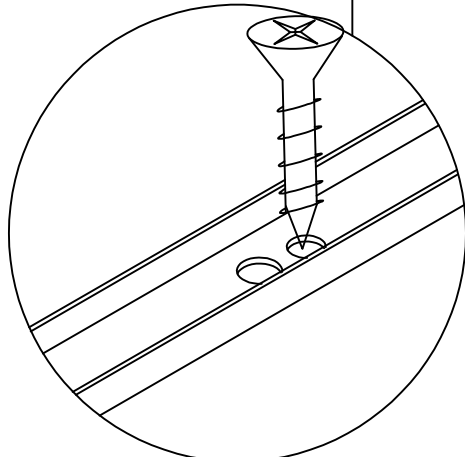
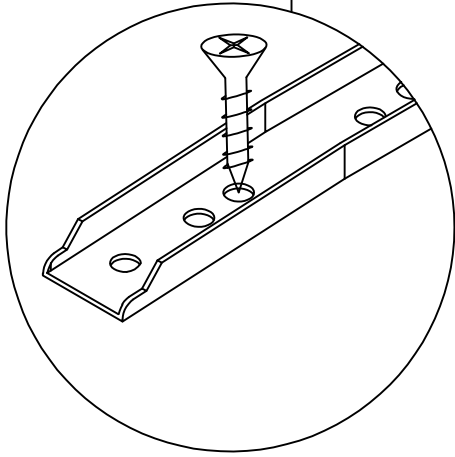
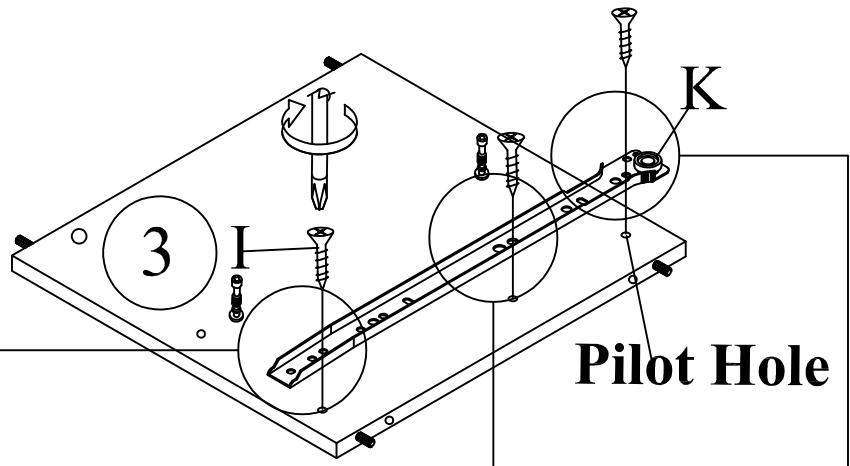
Step 1



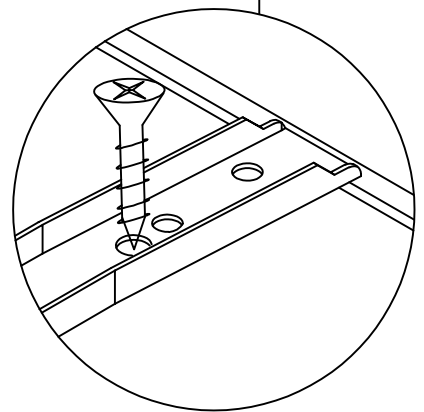
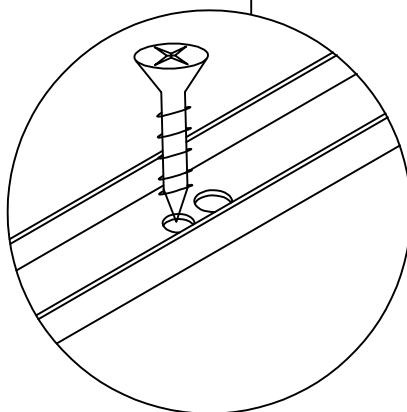
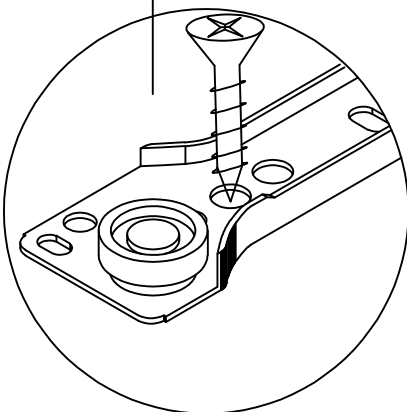
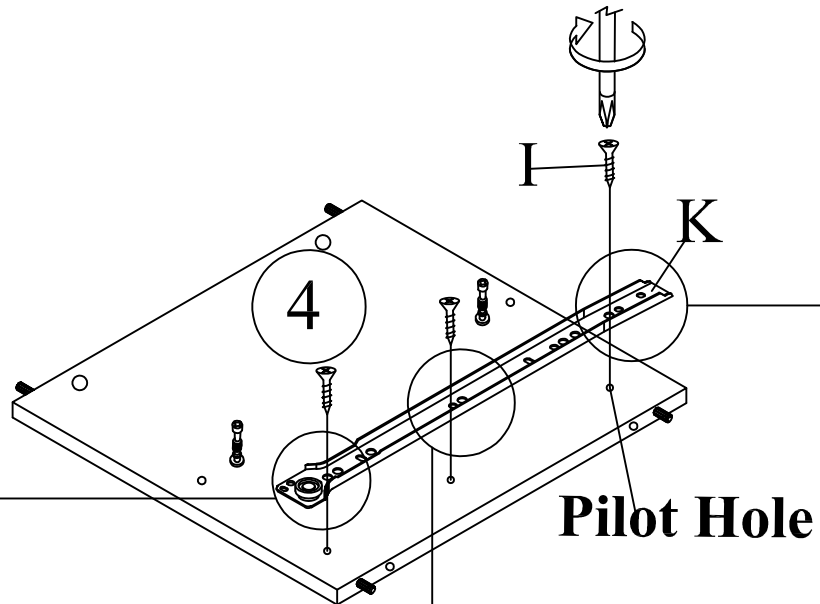
Step 2



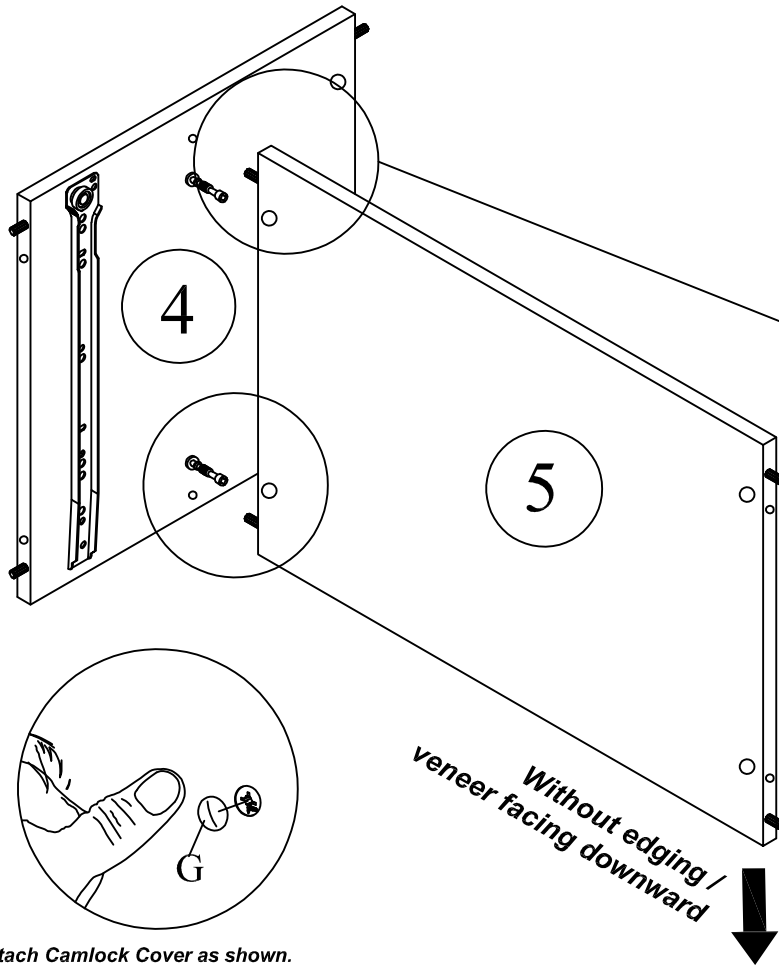
Step 3



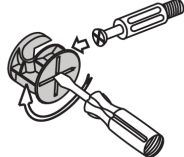
Step 4



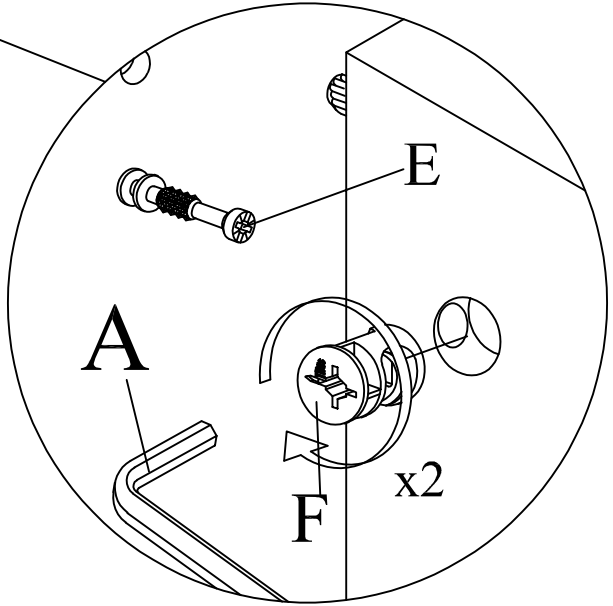
Step 5



This is how a mini fix works...



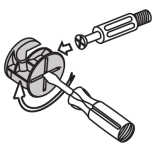
The head of the mini fix housing goes into the open mouth of the mini fix bolt. You then turn the mini fix housing so it tightens over the mini fix bolt.



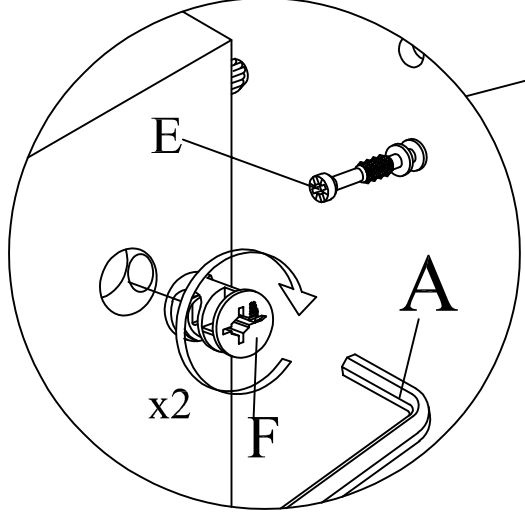
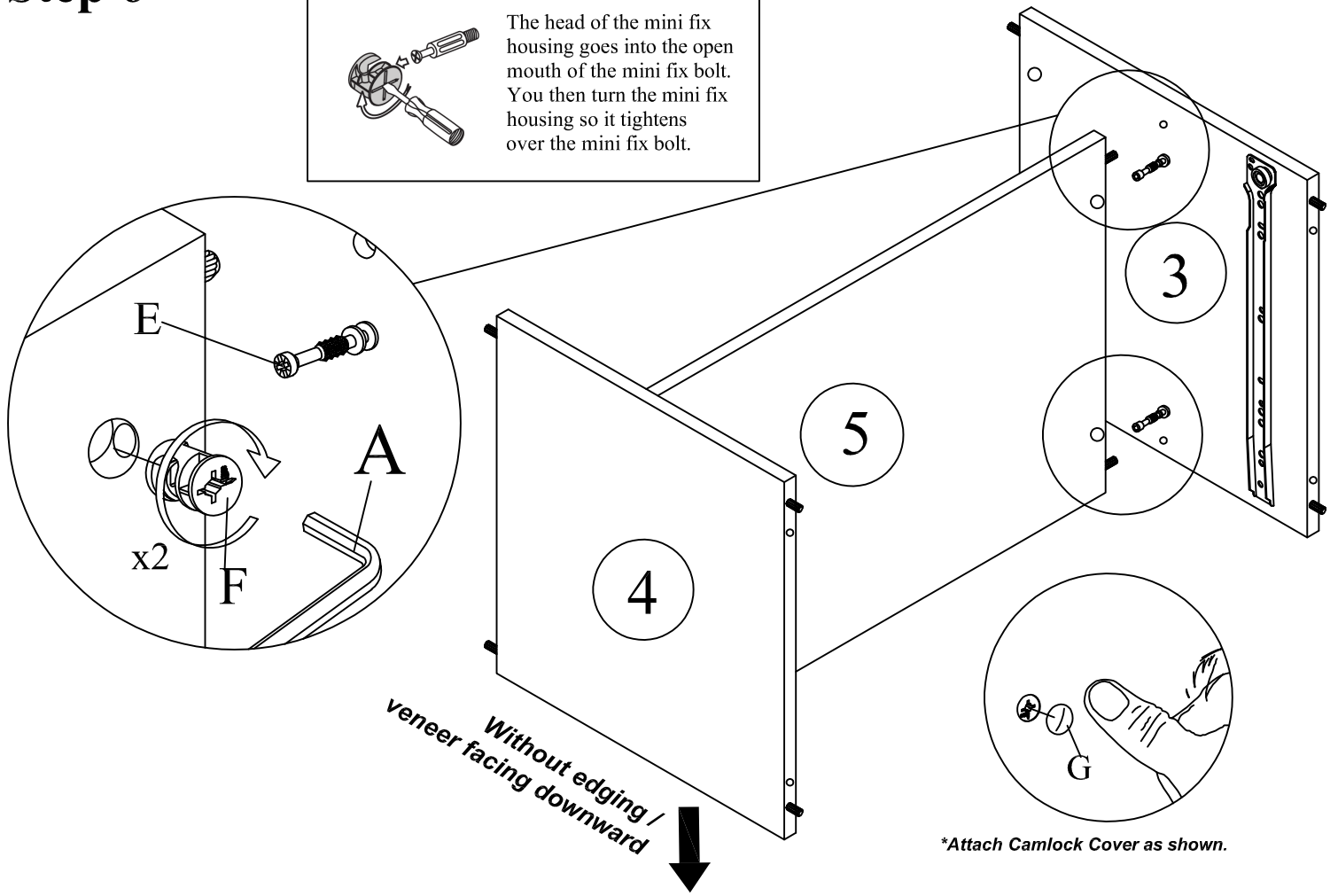
*Attach Camlock Cover as shown.

Step 6

This is how a mini fix works...

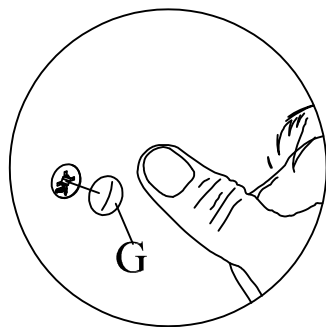
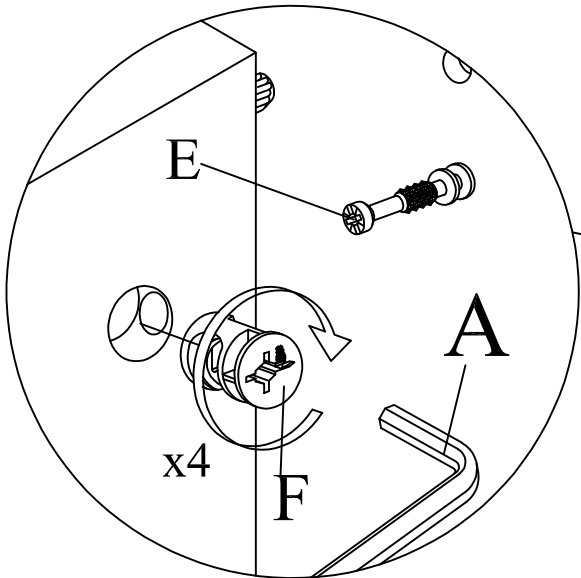


The head of the mini fix housing goes into the open mouth of the mini fix bolt. You then turn the mini fix housing so it tightens over the mini fix bolt.

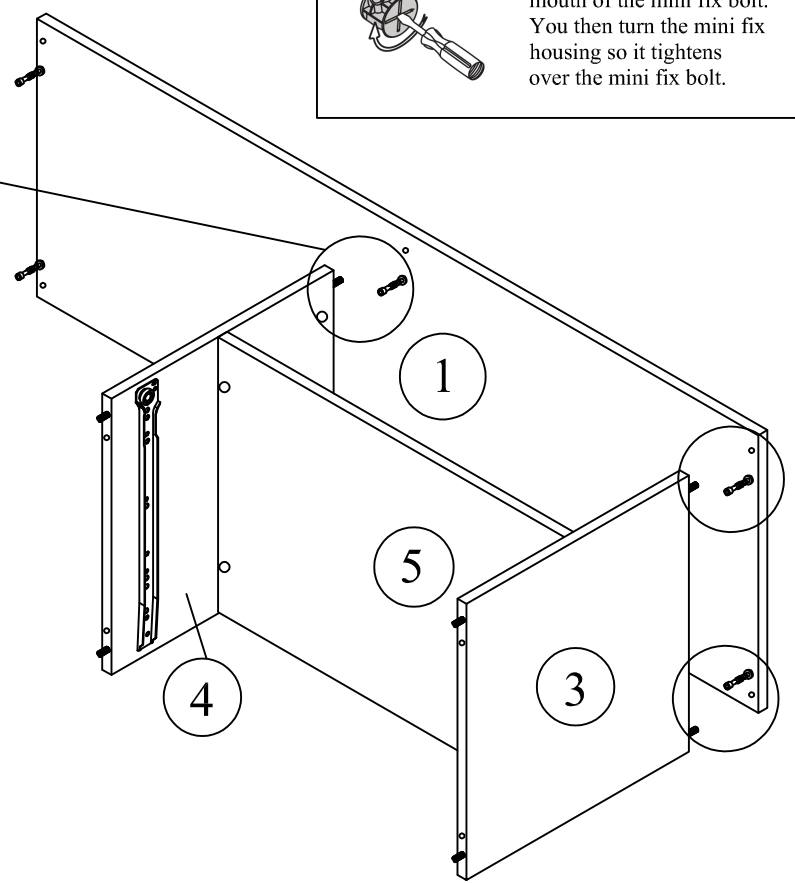


*Attach Camlock Cover as shown.

Step 7

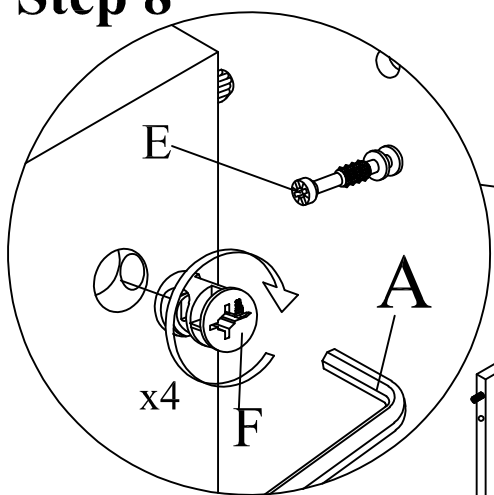


This is how a mini fix works...
The head of the mini fix housing goes into the open mouth of the mini fix bolt. You then turn the mini fix housing so it tightens over the mini fix bolt.

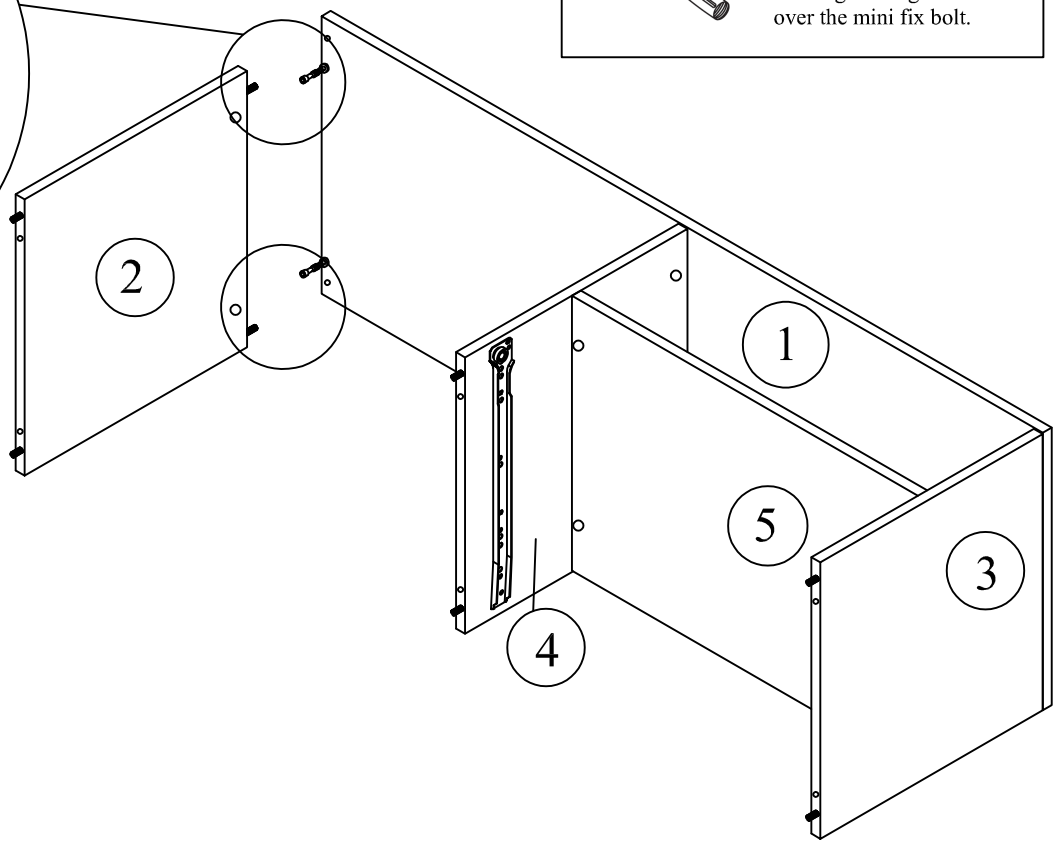


**Attach Camlock Cover as shown.*

Step 8

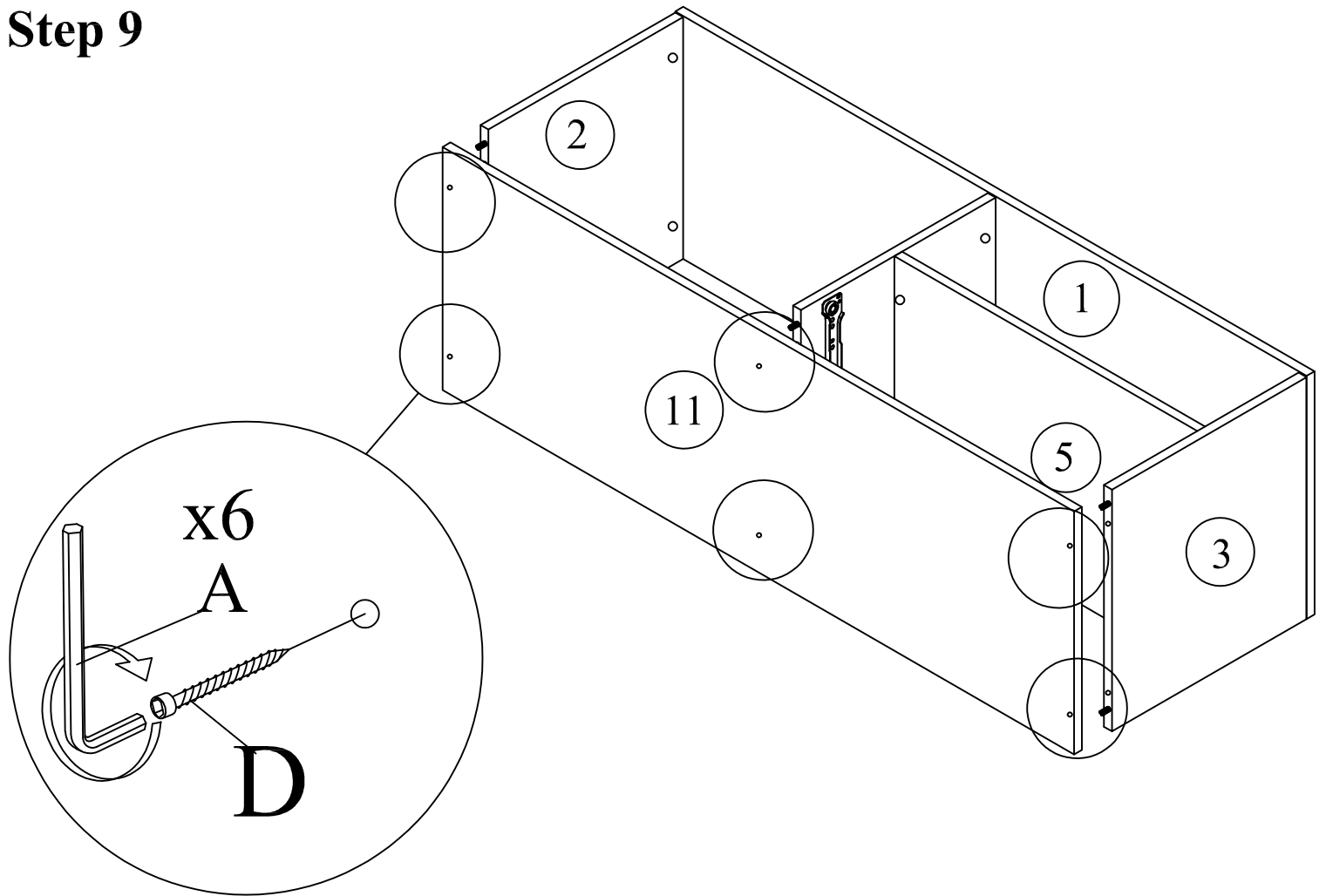


This is how a mini fix works...
The head of the mini fix housing goes into the open mouth of the mini fix bolt. You then turn the mini fix housing so it tightens over the mini fix bolt.

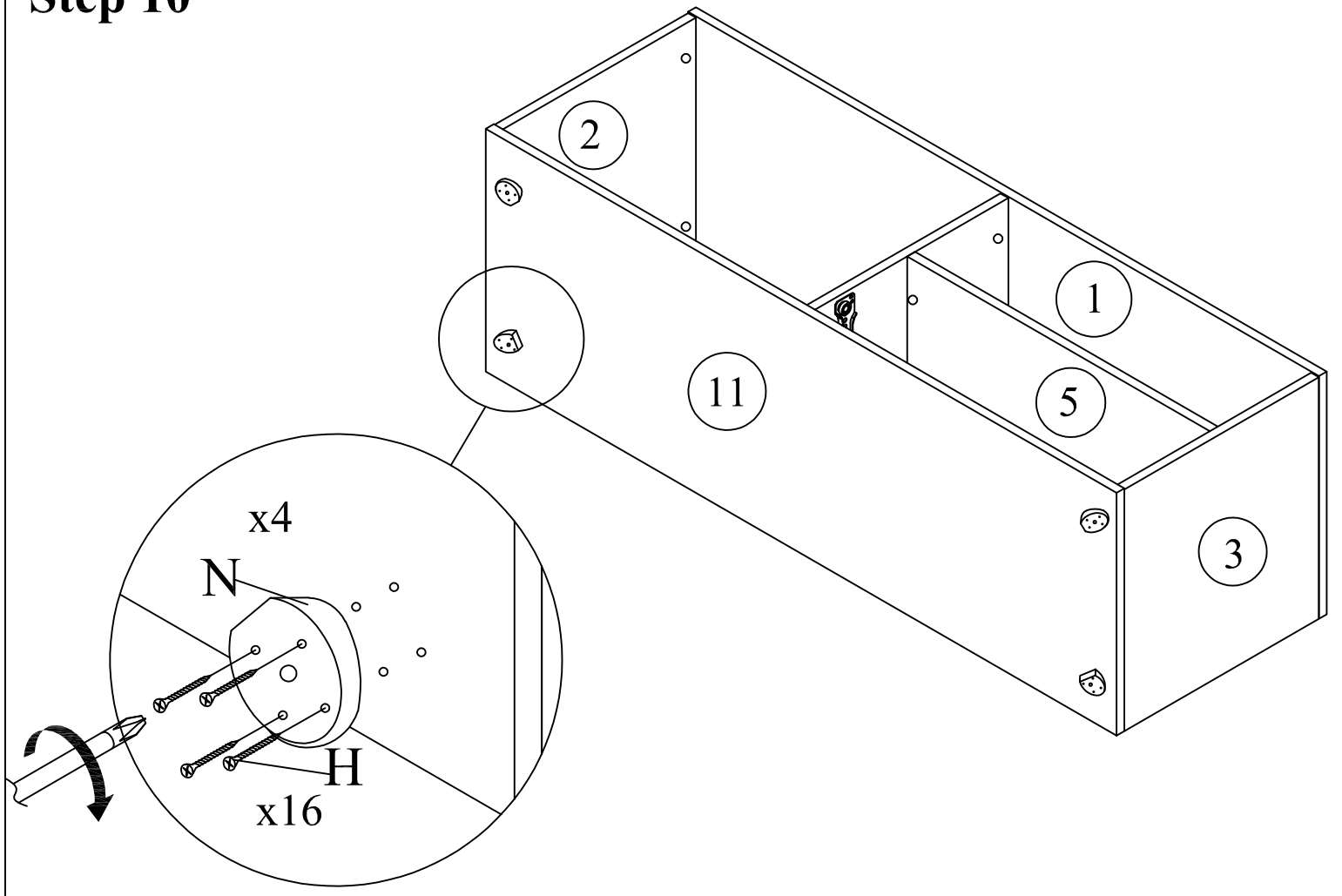


**Attach Camlock Cover as shown.*

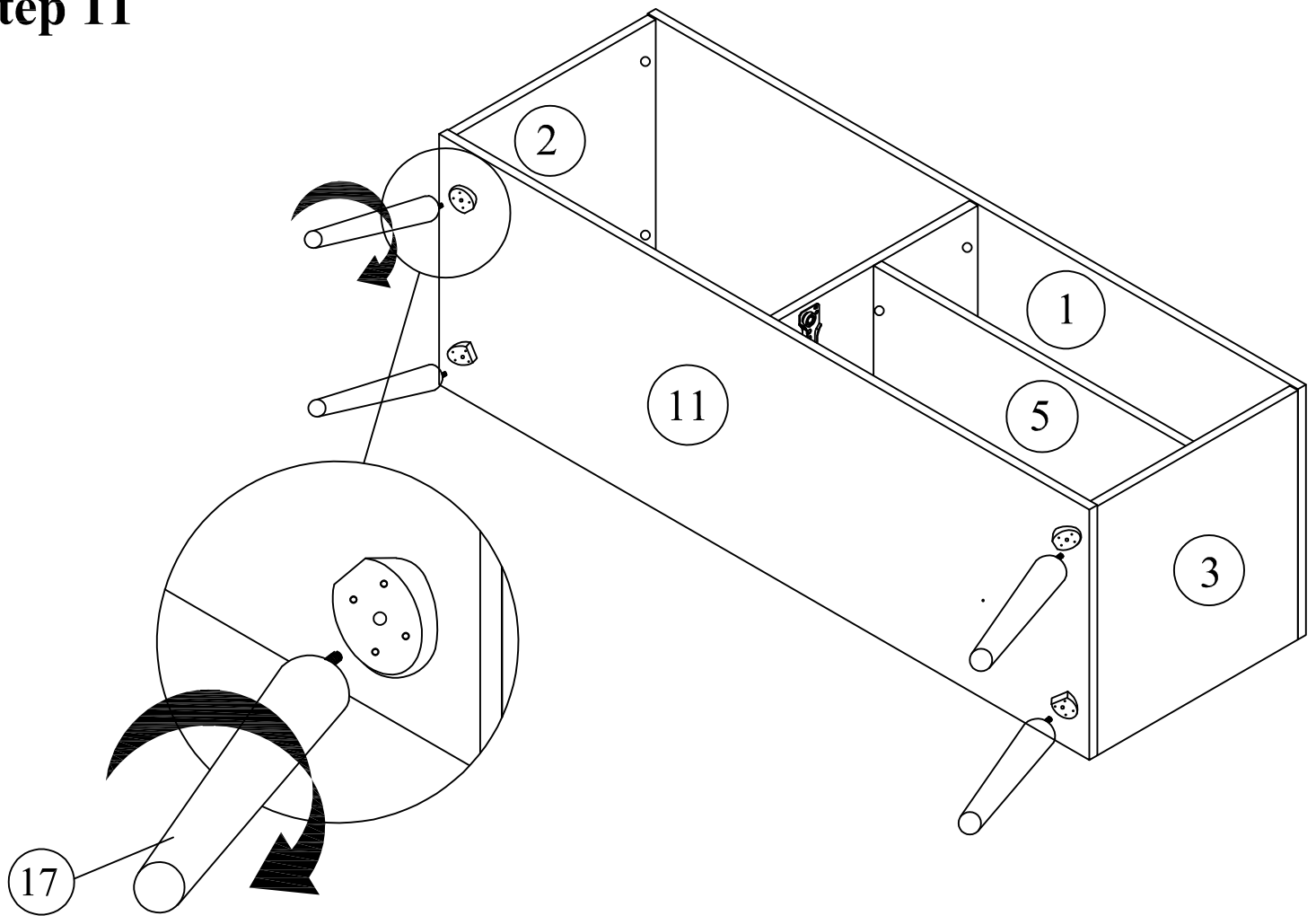
Step 9



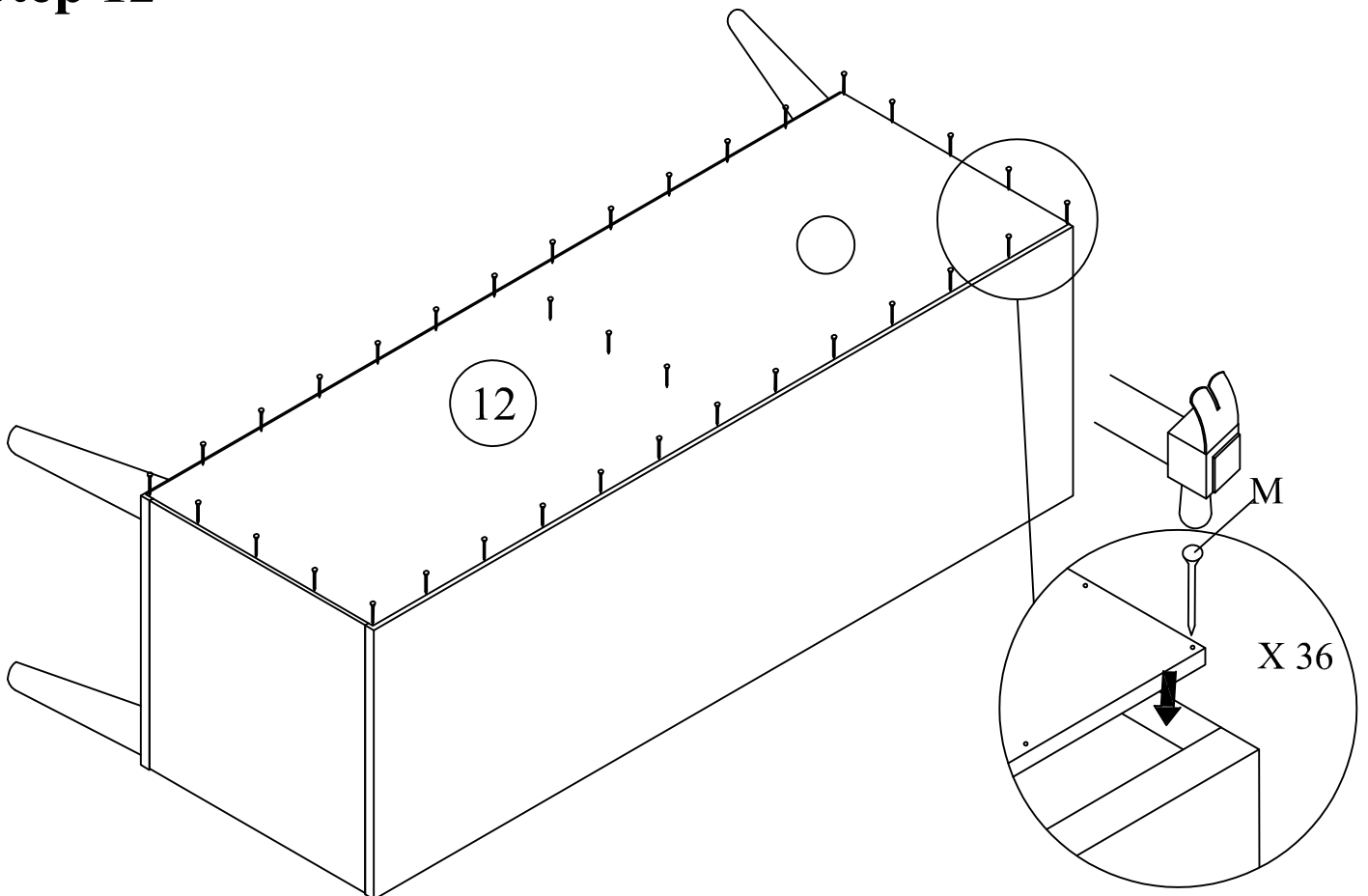
Step 10



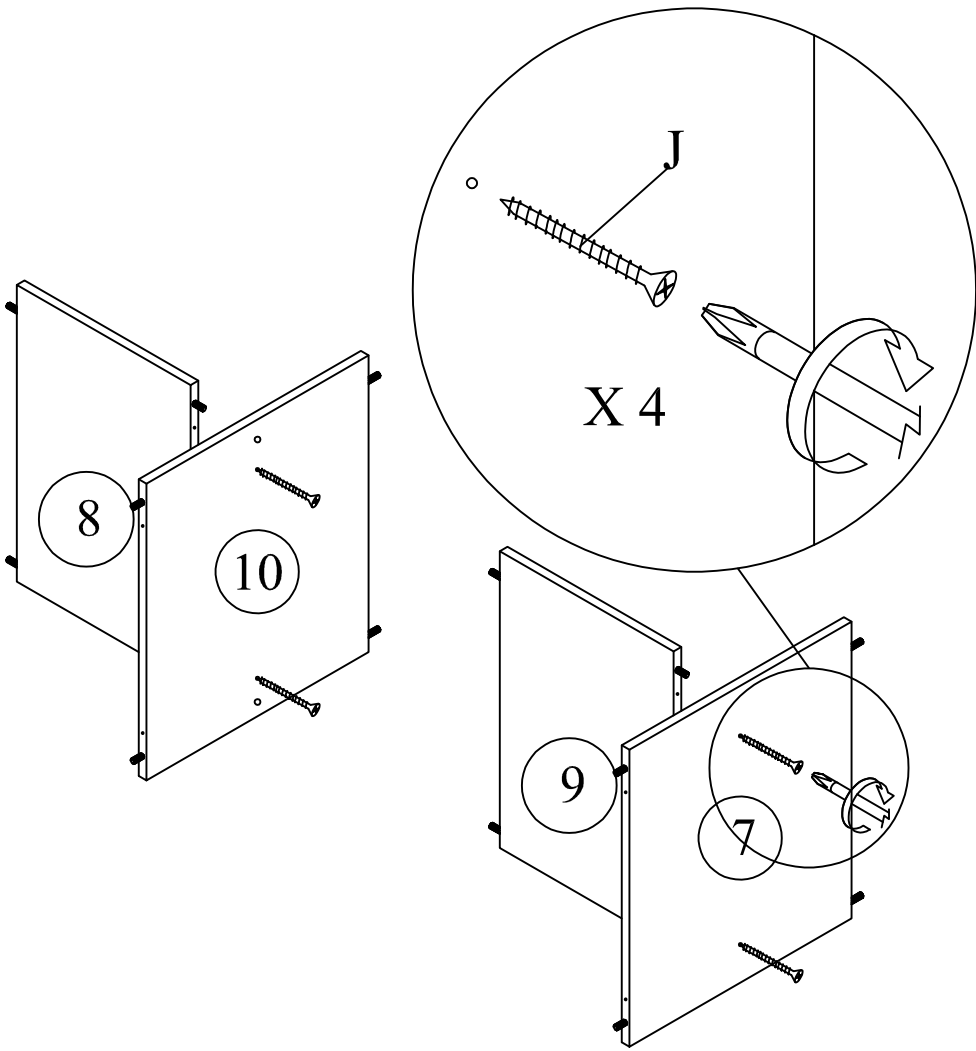
Step 11



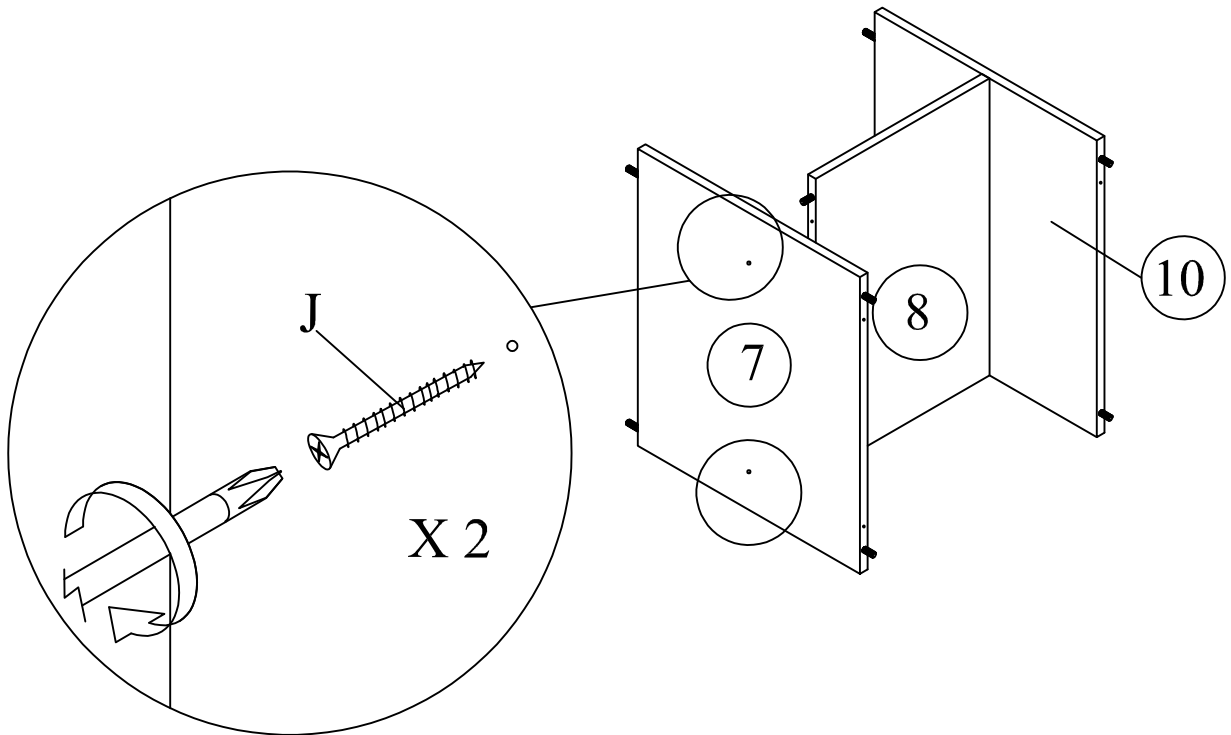
Step 12



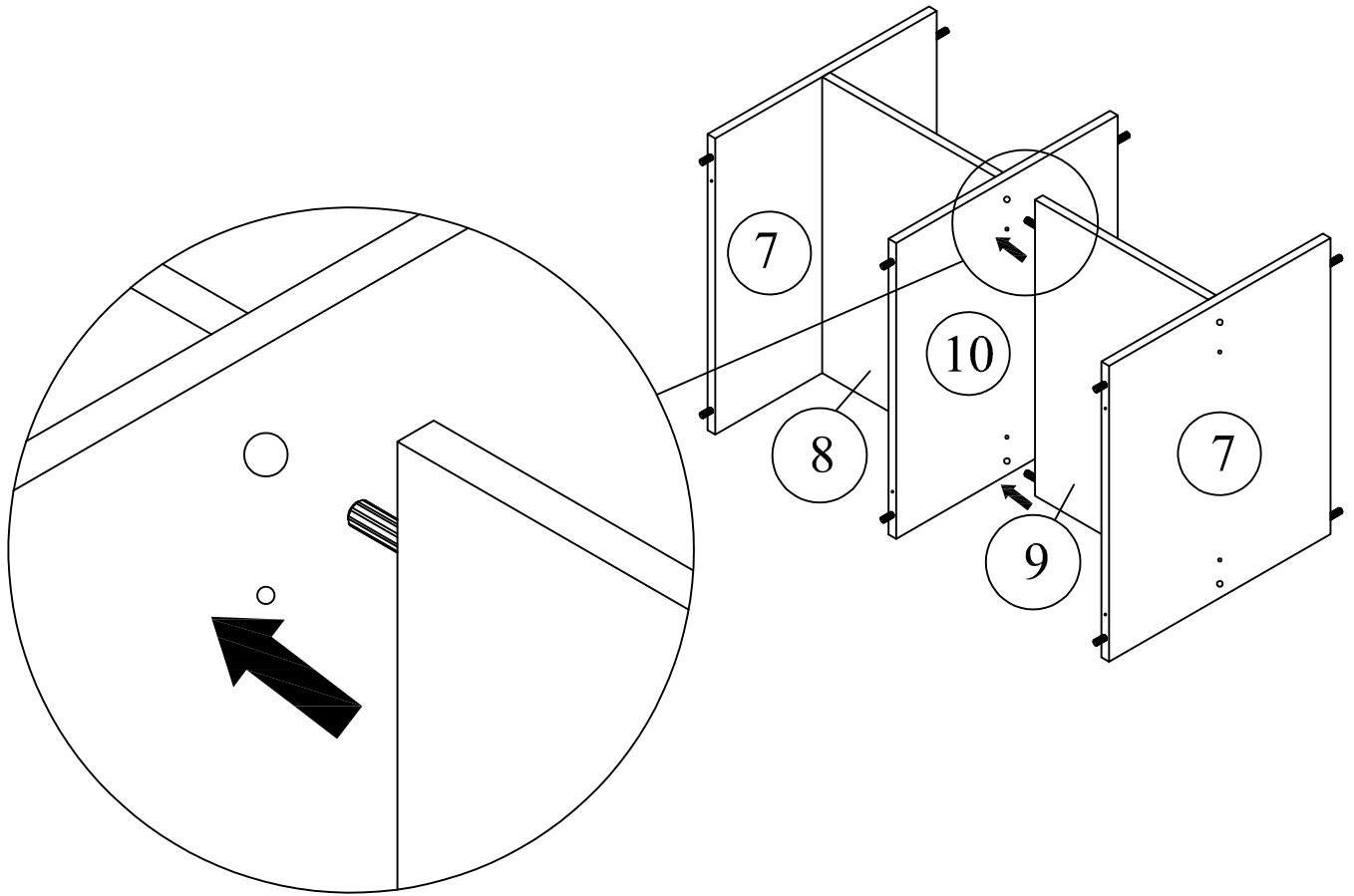
Step 13



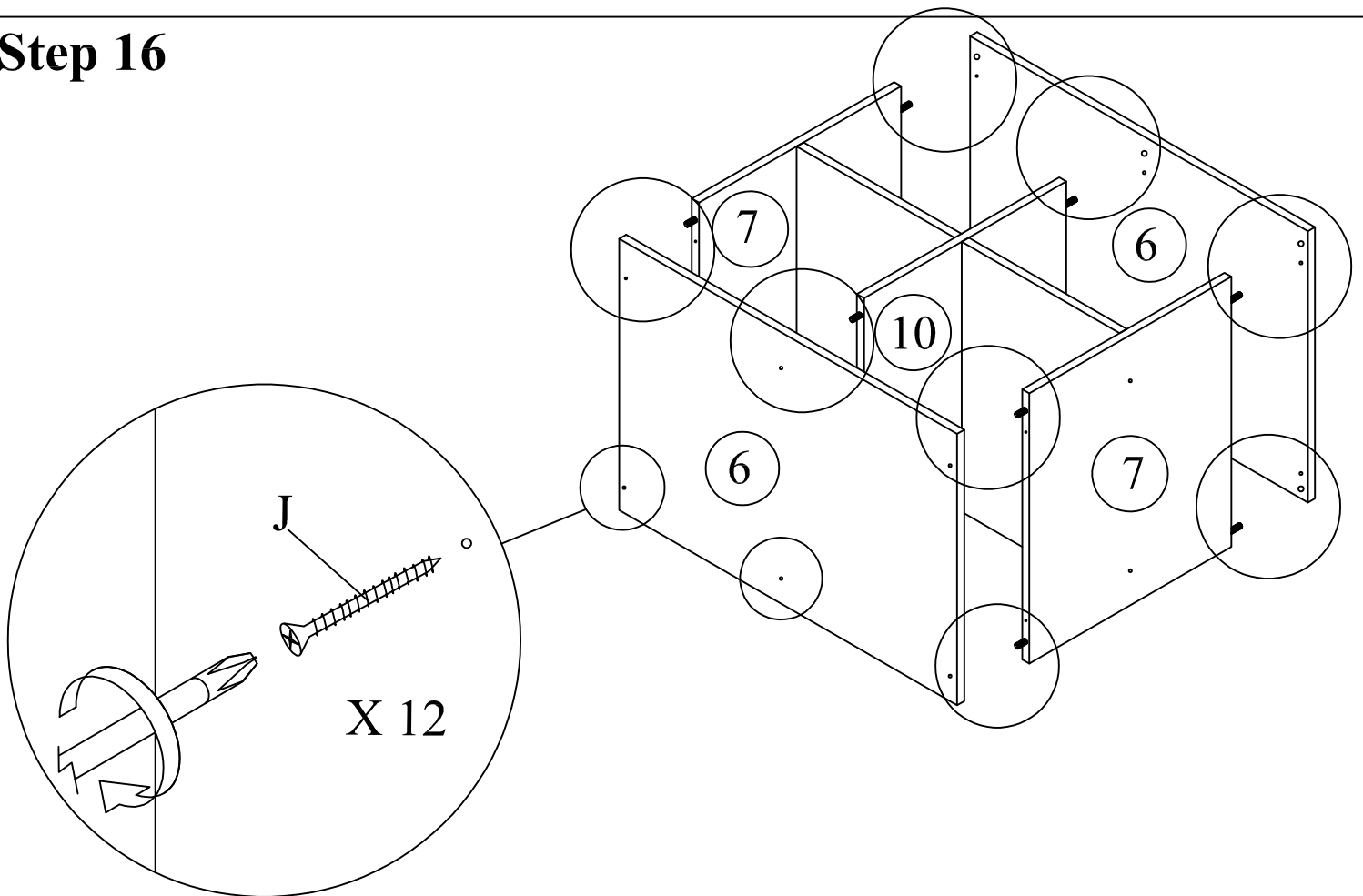
Step 14



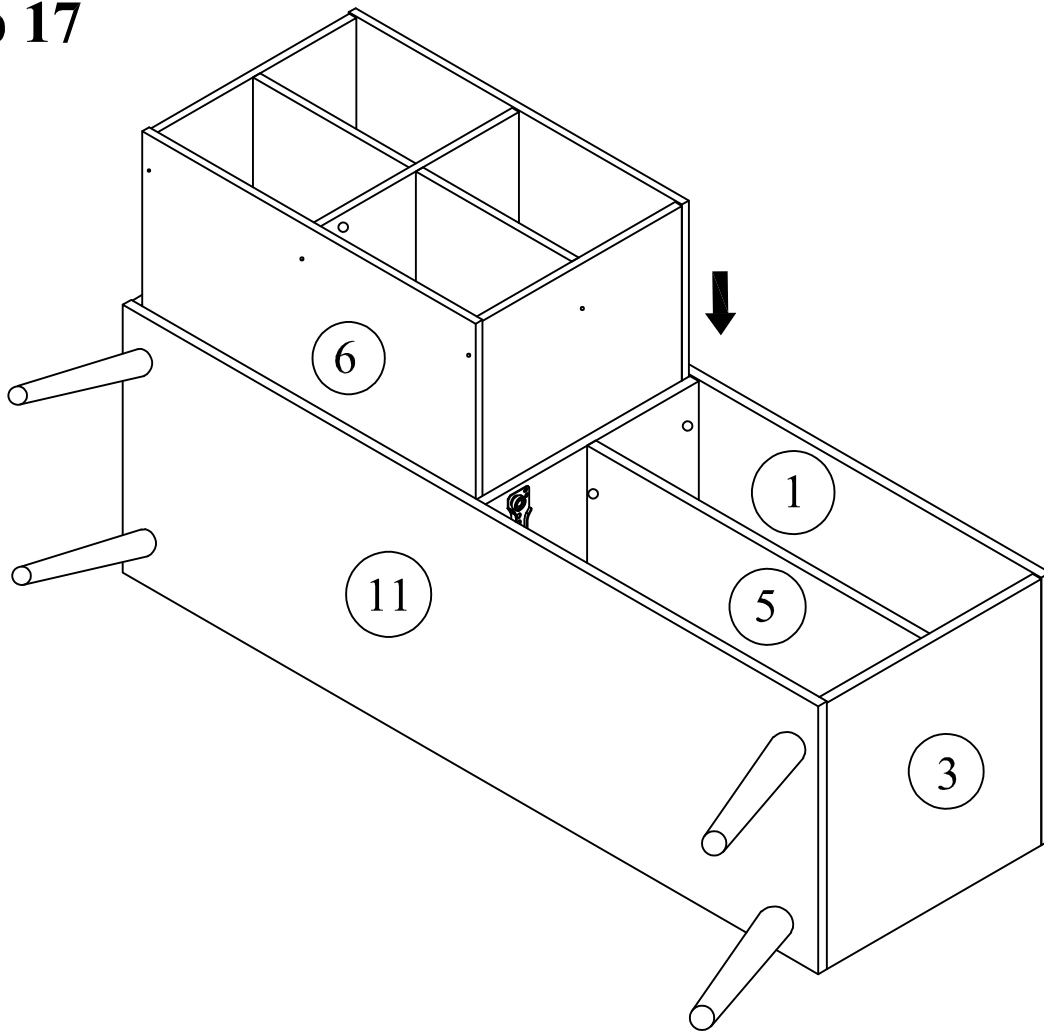
Step 15



Step 16

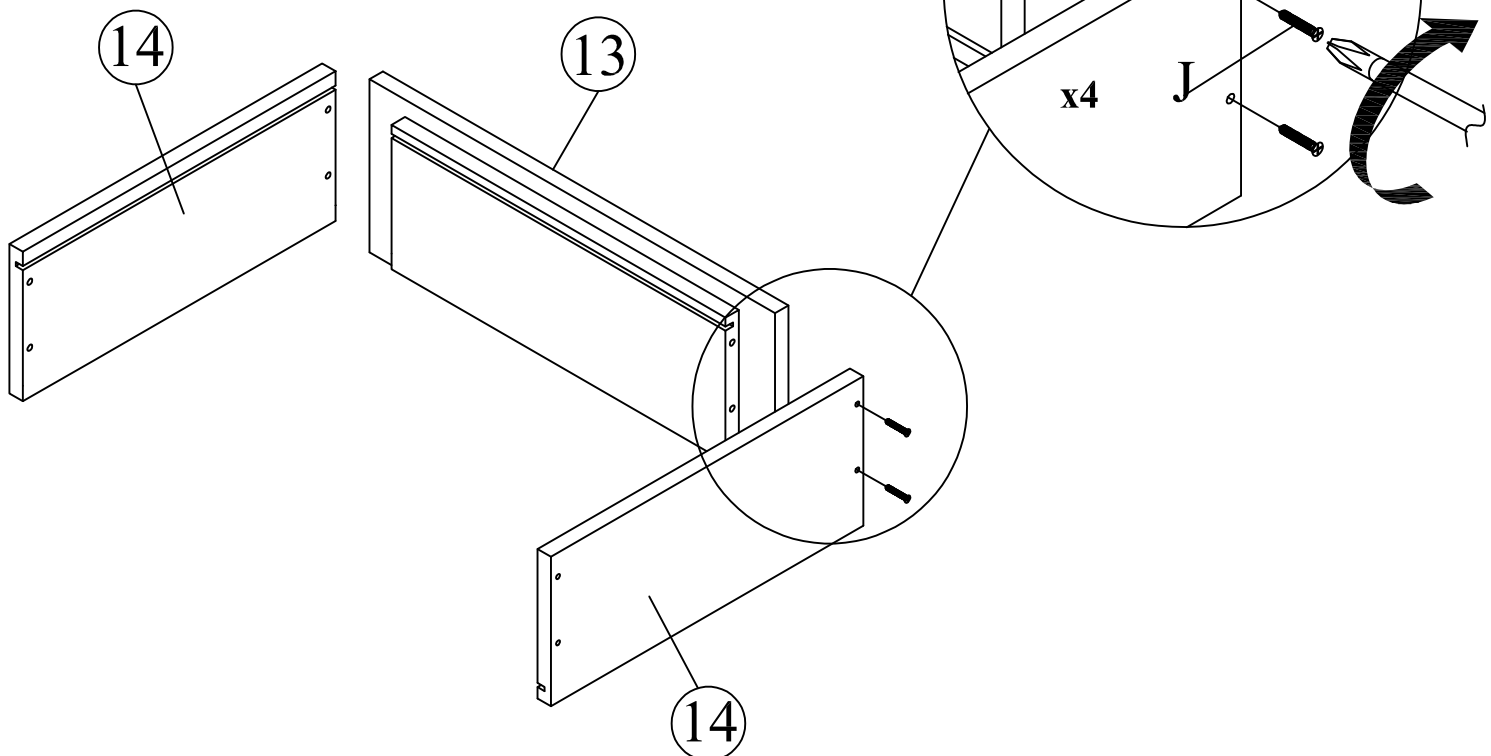


Step 17



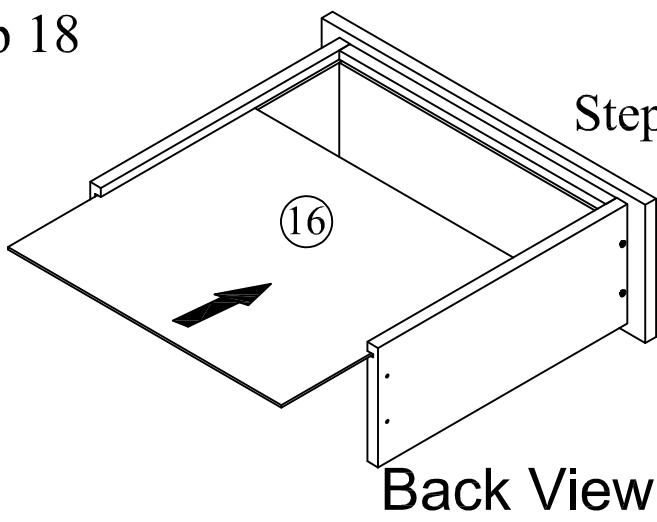
Step 18

Step 18.1

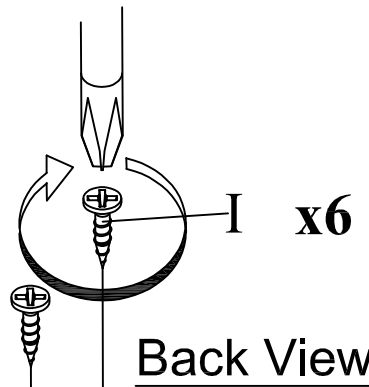
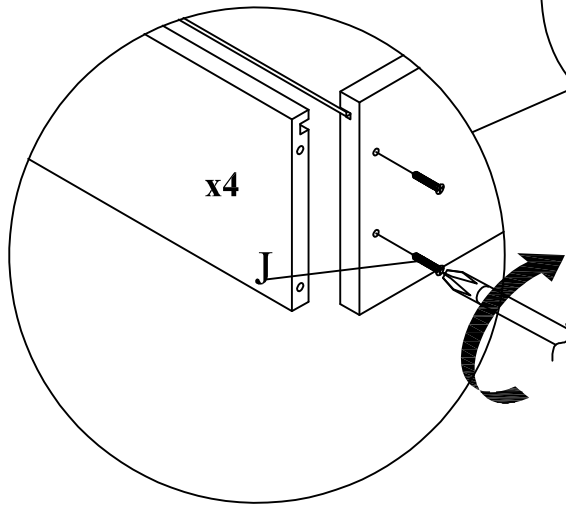
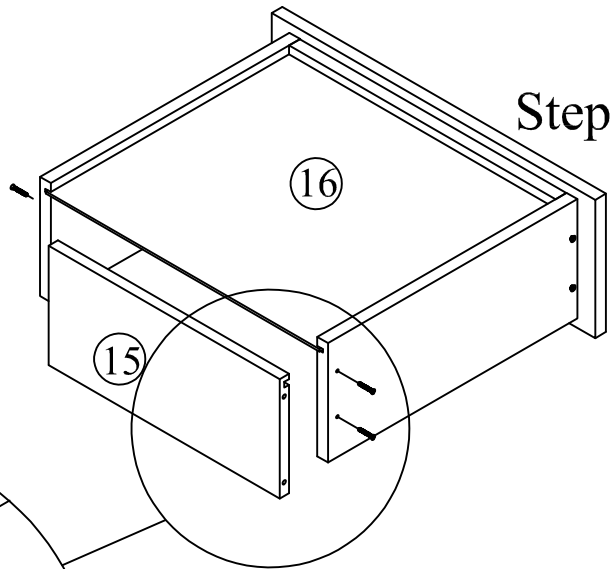


Step 18

Step 18.2

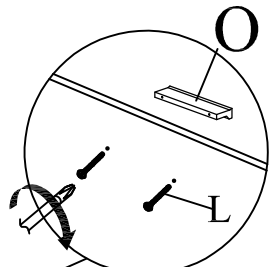
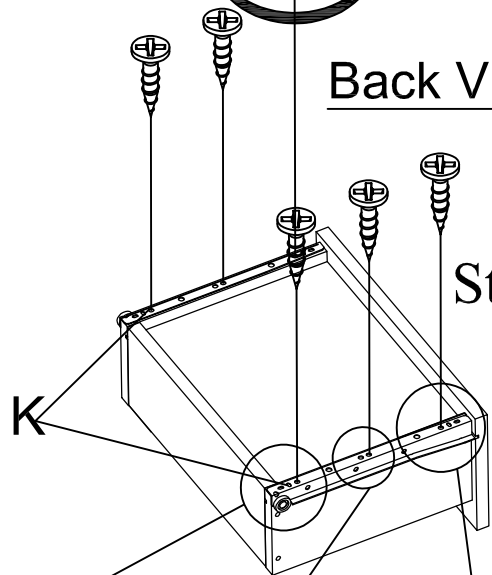


Step 18.3

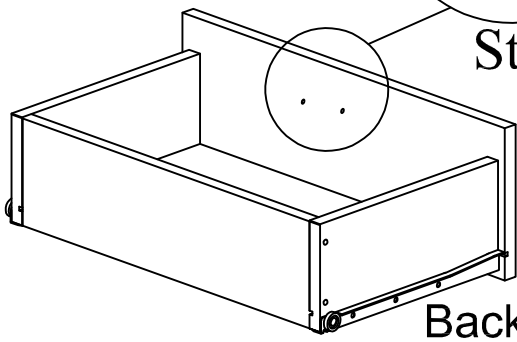


Back View

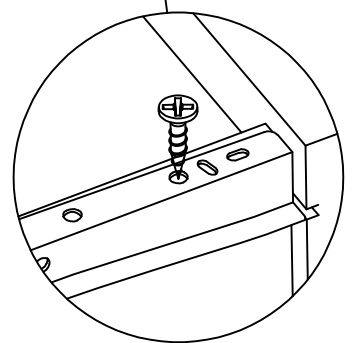
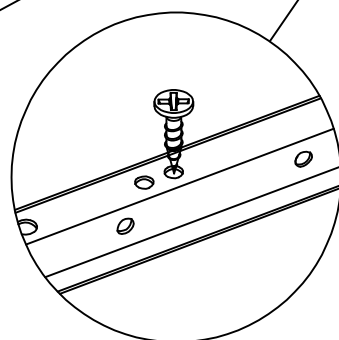
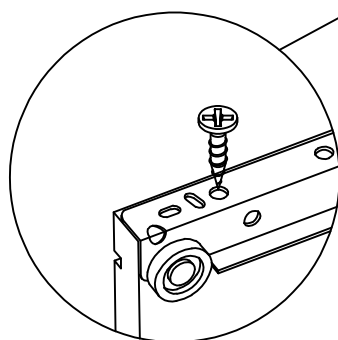
Step 18.4



Step 18.5



Back View



Step 19

