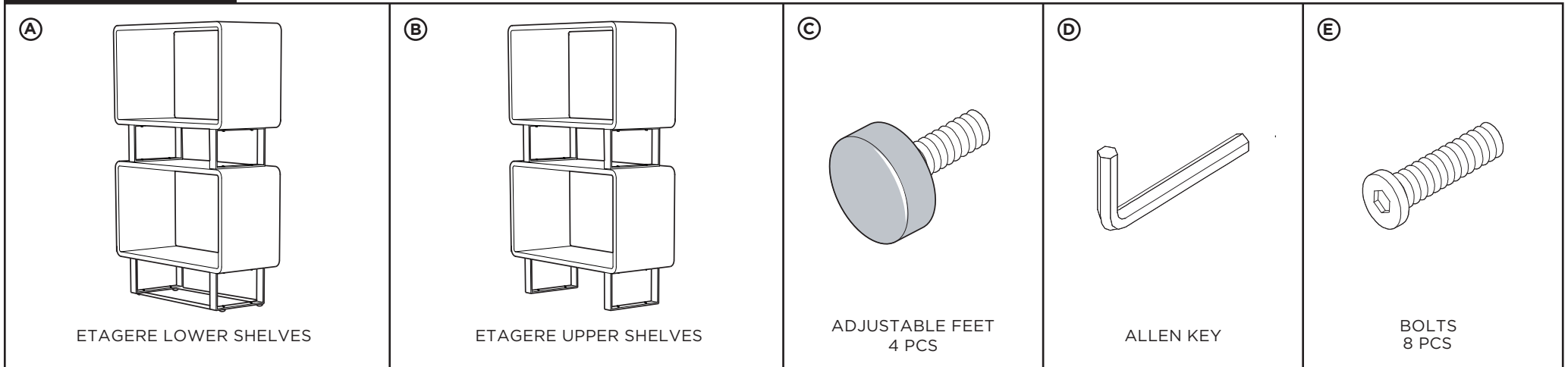
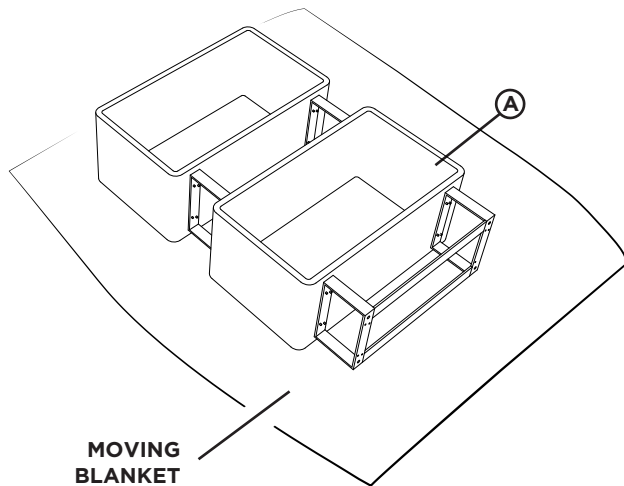


# ASSEMBLY INSTRUCTIONS FOR VERRA ETAGERE <VRA-475>

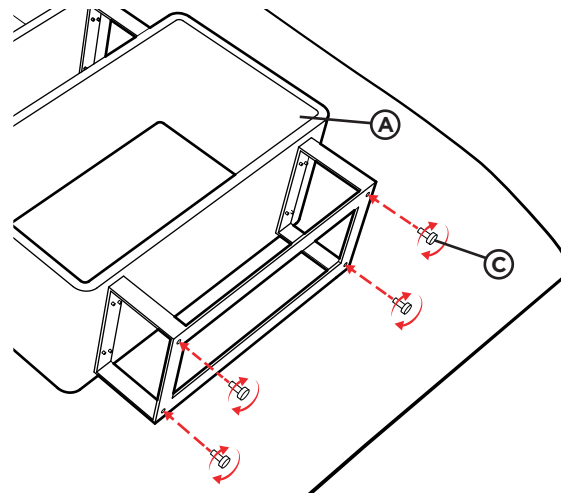
## WHAT'S INCLUDED



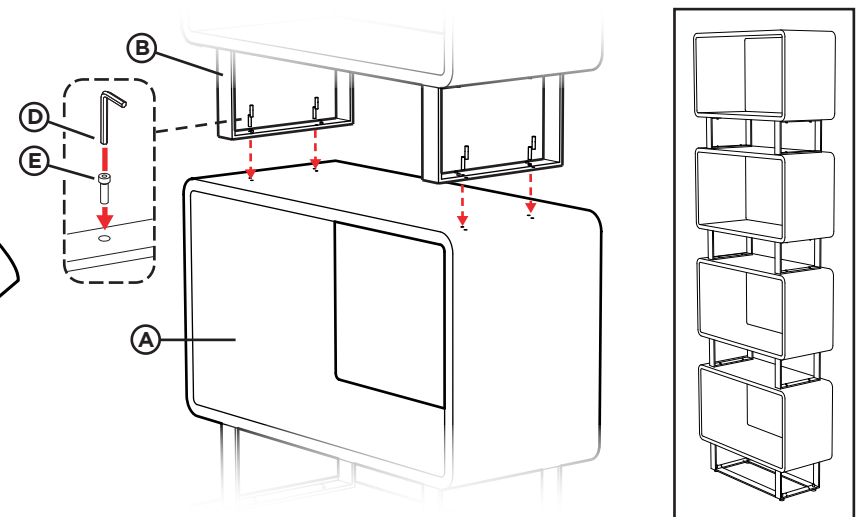
- 1** Remove the Etagere lower shelves **(A)**. Lay them down on a soft surface such as a moving blanket.



- 2** Screw each of the four adjustable feet **(C)** into the holes at the base of the lower Etagere shelves **(A)**.

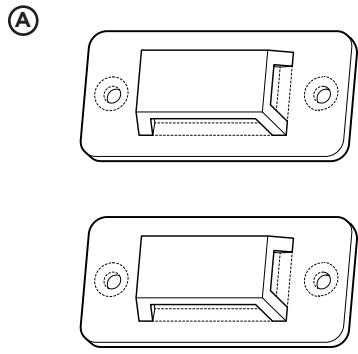


- 3** Carefully lift the lower shelves upright. Set the Etagere upper shelves **(B)** gently on top. Fasten the shelves together using the Allen Key **(D)** and the bolts **(E)**. Assembly is now complete. Clean with a soft, dry cloth only. Do not use chemical or abrasive cleaning products.

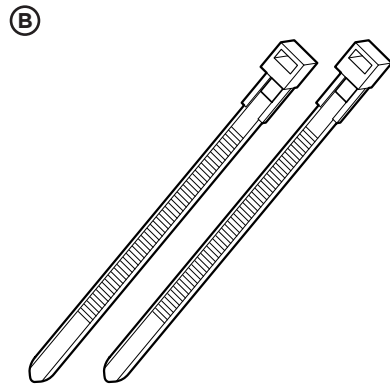


# INSTALLATION INSTRUCTIONS FOR VERRA ETAGERE ANTI-TIP BELTS

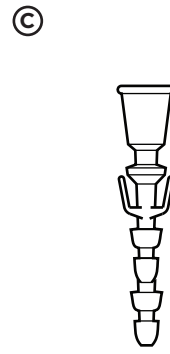
## WHAT'S INCLUDED



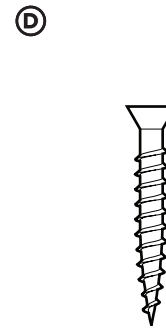
2x PLASTIC BRACKETS



2x ZIP TIES

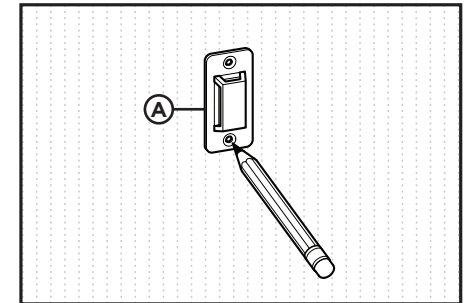


4x WALL ANCHORS

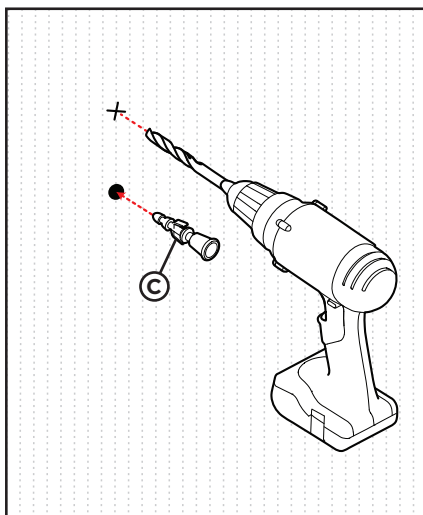


4x WALL SCREWS

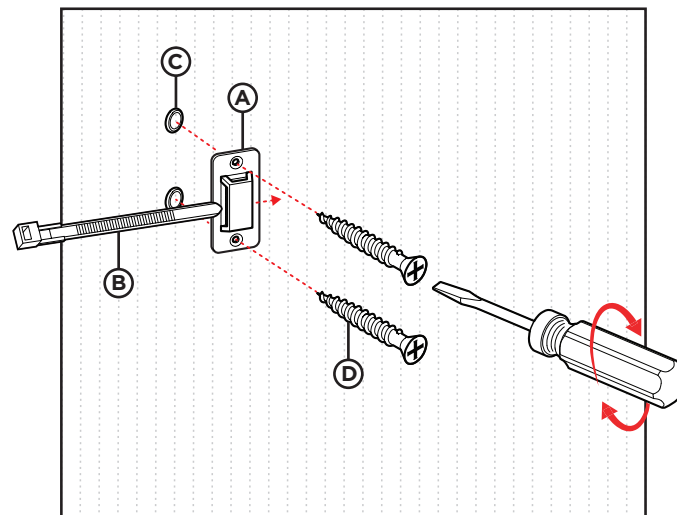
- 1 Place one of the brackets **A** against the wall at the correct height. Make a pencil mark at both holes.



- 2 Using a power drill, make a hole into the wall at each of the pencil marks. Press or tap wall anchors **C** into each of the four holes.



- 3 Secure brackets to the wall using longer supplied screws **D**. Thread a zip tie **B** through the bracket.



- 4 Position the Etagerie next to the bracket. Loop the zip tie around the Etagerie and loosely fasten. Repeat the process with second bracket on opposite side of Etagerie. Tighten. Anti tip belts are now installed.

