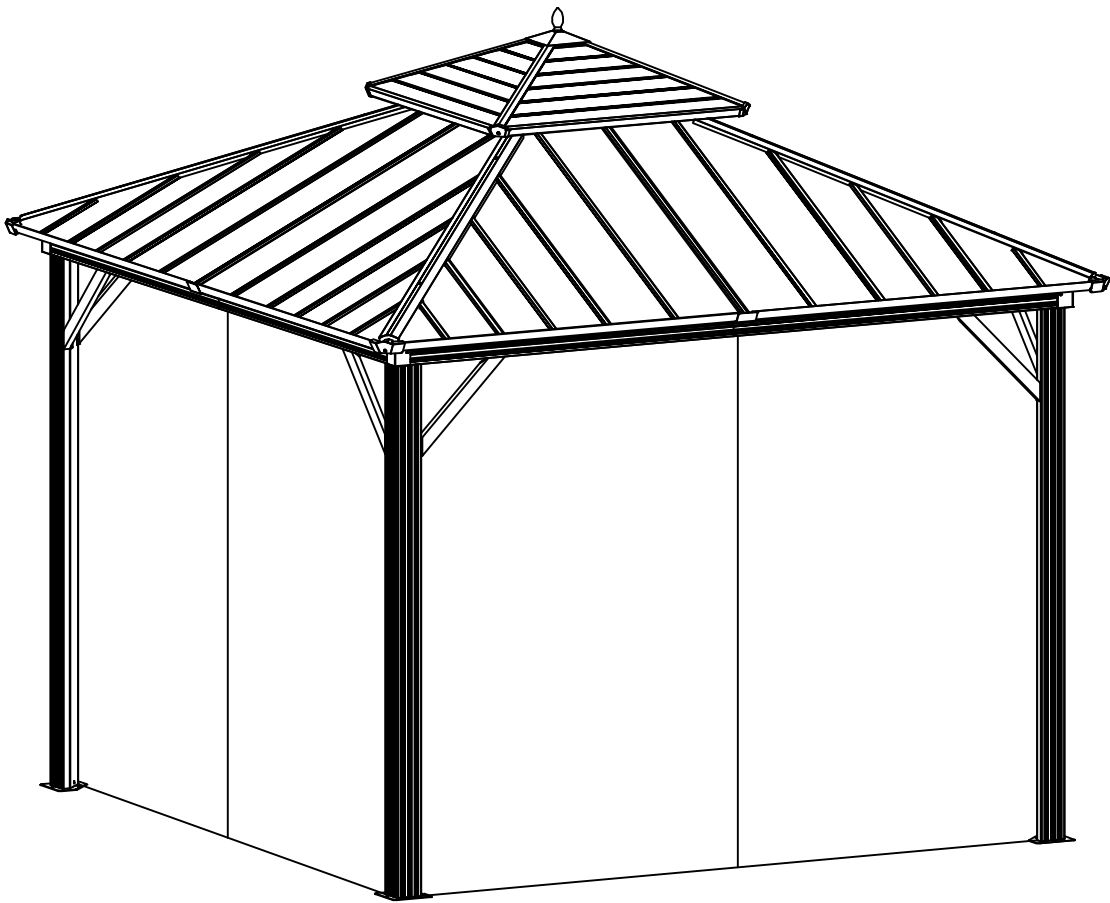
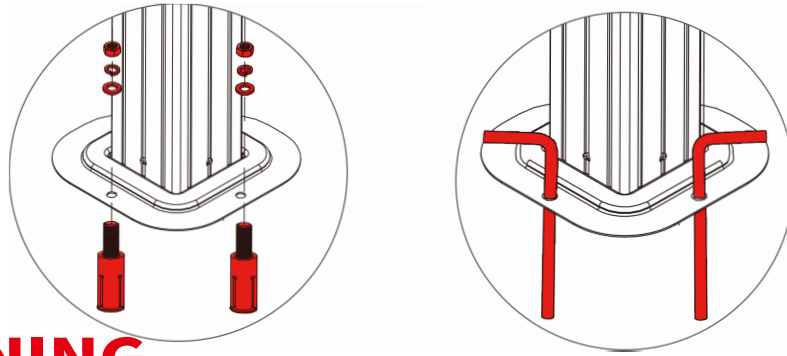


FTPLCG-0395
FTPLCG-0396
FTPLCG-0397





WARNING





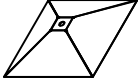
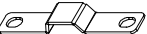
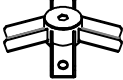

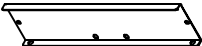

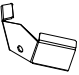
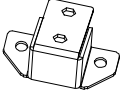
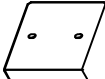


"IMPORTANT, RETAIN FOR FUTURE REFERENCE: READ CAREFULLY"

1. Must use ground nails, ropes, and expansions screws for whichever ground you install on for stability to avoid devastating injuries for people inside or nearby and property damage caused by a collapsing gazebo.
2. Do not use this gazebo in high winds, heavy snow, or inclement weather. It is not designed to withstand strong gusts of wind, heavy snow accumulation, or other inclement weather. Must take precautions when the wind speed exceeds 25Mph, and clear snow when it accumulates more than 2 inches.
3. Before use, thoroughly inspect the gazebo to make sure all bolts, nuts, and buckles have been completely tightened and securely fastened.
4. Warranty does not cover damages, losses, or injuries resulting from improper installation, misuse, not using stability accessories mentioned above, non snow cleaning, failure to take precautionary measures, etc.



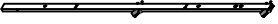
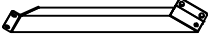
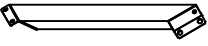








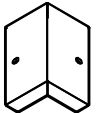


1. Two or more people are required for assembly.
2. A ladder and electric drill may be necessary.
3. Do not erect the structure in heavy winds or inclement weather.
4. Do not leave up this unit for extended periods of time, as it is not a permanent structure or designed to withstand sustained wind or rain. It is a temporary, portable shelter that shields you from sunlight and rain. The screens also block flying insects.
5. Do not use candles, matches, or any open flames near the tent.
6. To better align the screws for practical situations, do not fully tighten screws initially.
7. Professional installation is highly recommended.

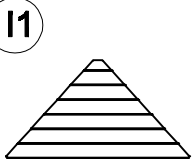

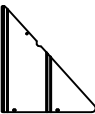
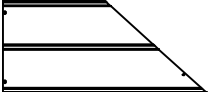
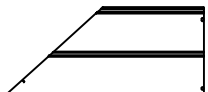
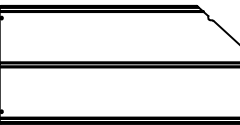
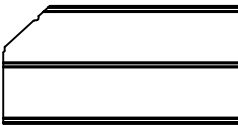

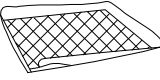

Parts List (Box A)

<p>A</p> 	<p>B1</p> 	<p>B2</p> 	<p>P</p>  <p>hook up</p>	<p>R1</p> 
<p>4 PCS</p>	<p>4 PCS</p>	<p>4 PCS</p>	<p>1 PC</p>	<p>1 PC</p>
<p>S</p> 	<p>S2</p> 	<p>T</p> 	<p>Y1</p> 	<p>Y2</p> 
<p>20 PCS</p>	<p>1 PC</p>	<p>4 PCS</p>	<p>4 PCS</p>	<p>4 PCS</p>
<p>Y3</p> 	<p>Y4</p> 	<p>Y5</p> 	<p>Y7</p> 	<p>Y8</p> 
<p>4 PCS</p>	<p>4 PCS</p>	<p>4 PCS</p>	<p>8 PCS</p>	<p>4 PCS</p>



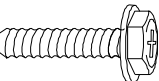
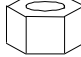
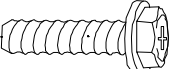
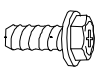

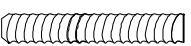
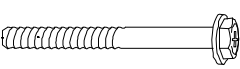
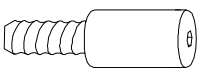
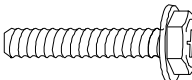
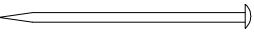


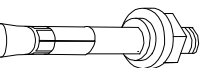
Parts List (Box B)

<p>D</p> 	<p>D1</p> 	<p>G</p> 	<p>H1</p> 	<p>H2</p> 
<p>4 PCS</p>	<p>4 PCS</p>	<p>4 PCS</p>	<p>4 PCS</p>	<p>4 PCS</p>
<p>J</p> 	<p>K1</p> 	<p>L2</p> 	<p>M2</p> 	<p>M3</p> 
<p>4 PCS</p>	<p>4 PCS</p>	<p>8 PCS</p>	<p>4 PCS</p>	<p>4 PCS</p>
<p>N1</p> 	<p>R3</p> 	<p>TA</p> 	<p>Y6</p> 	
<p>4 PCS</p>	<p>4 PCS</p>	<p>1 PC</p>	<p>4 PCS</p>	

Parts List (Box C)

				
4 PCS	4 PCS	4 PCS	4 PCS	4 PCS
				
4 PCS	4 PCS	4 PCS	1 PC	1 PC

Hardware List(Box C)

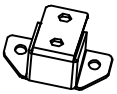
 <p>Cross big flat head self-tapping M4*16</p>	 <p>Flat washer M6</p>	 <p>Cross Outer Hexagon Bolt M6*35</p>	 <p>Hexagon nut M6</p>	 <p>Cross Outer Hexagon Bolt M6*20</p>
16 PCS	4 PCS	8 PCS	4 PCS	140 PCS
 <p>Cross Outer Hexagon Bolt M6*15</p>	 <p>Mosquito net ring</p>	 <p>M6*55</p>	 <p>Cross Outer Hexagon Bolt M6*55</p>	 <p>M6*35</p>
124 PCS	96 PCS	1 PC	4 PCS	16 PCS
 <p>Cross Outer Hexagon Bolt M6*40</p>	 <p>Round head nail Φ8*180</p>	 <p>Open wrench M6</p>	 <p>M6</p>	 <p>Expansion Bolt M6*80</p>
8 PCS	12 PCS	2 PCS	2 PCS	12 PCS



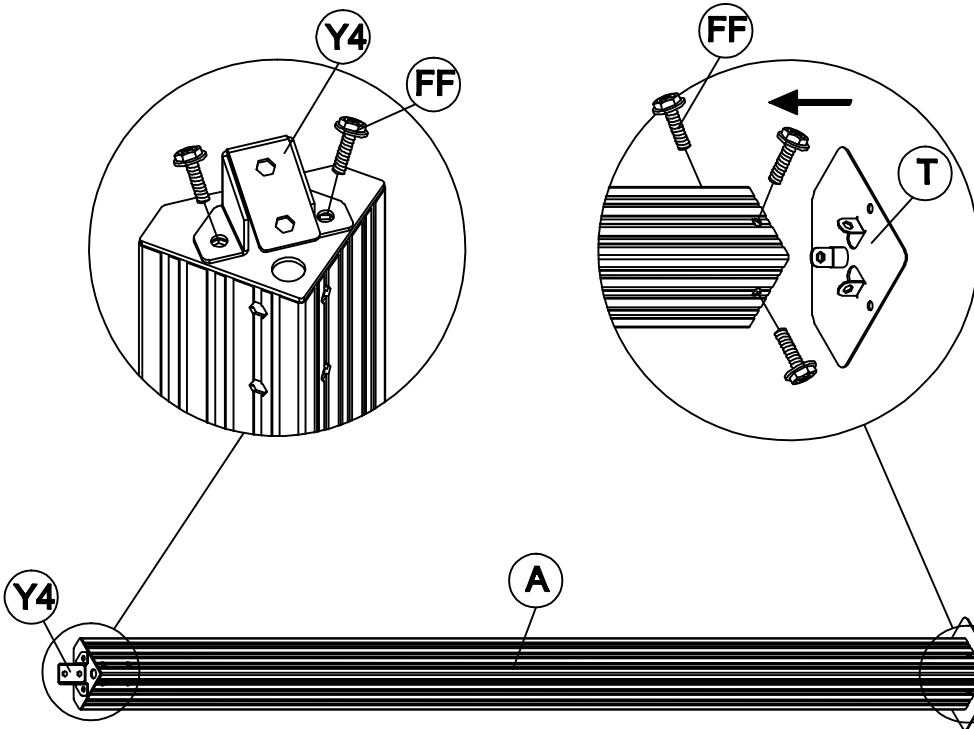
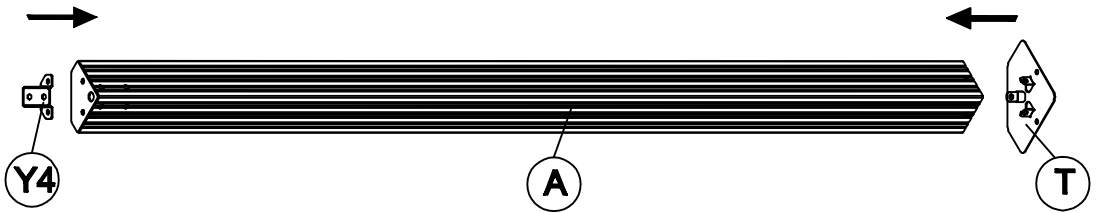
A 4x



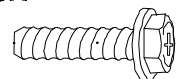
T 4x



Y4 4x



FF 20x



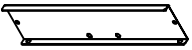
M6x20



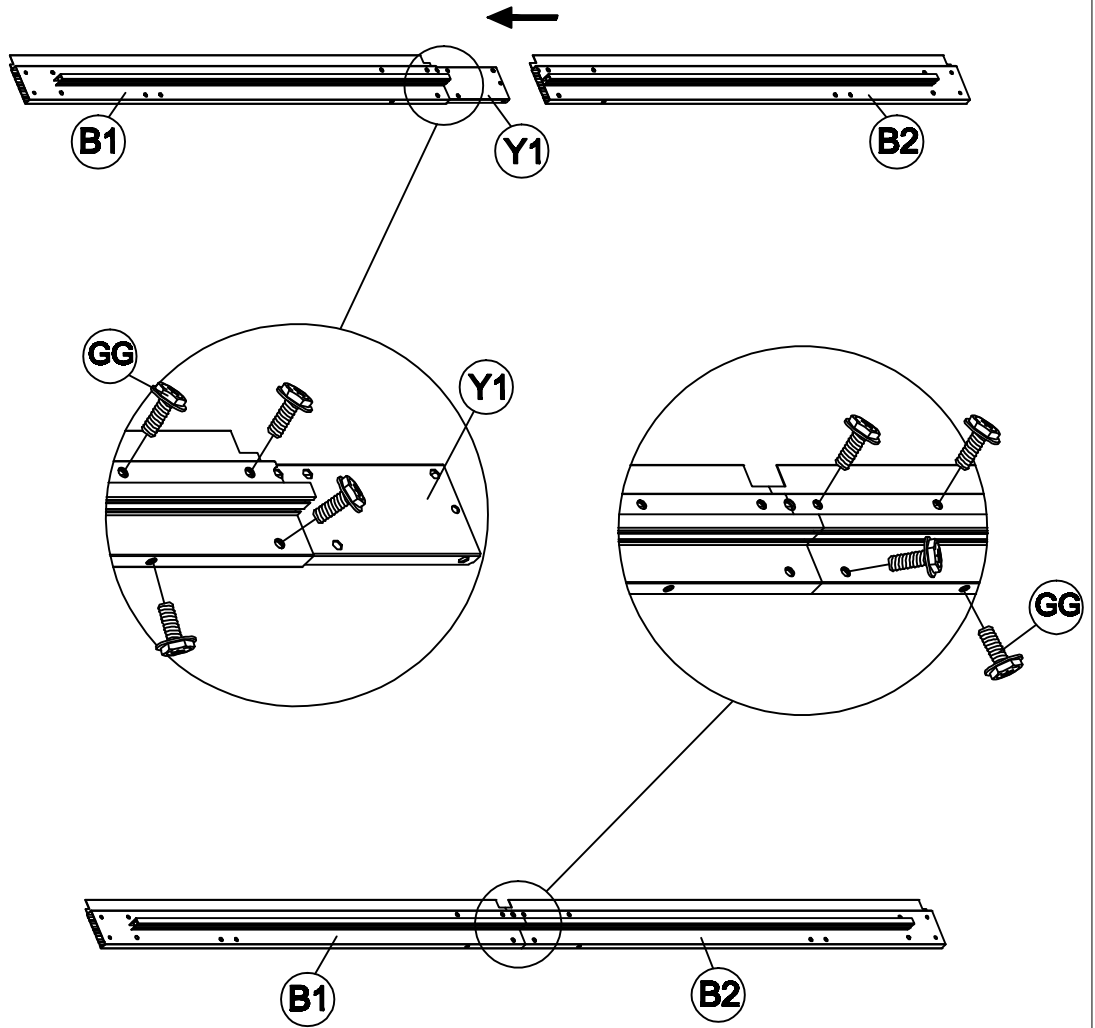
B1 4x



B2 4x



Y1 4x



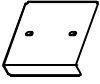
GG 32x



M6x15



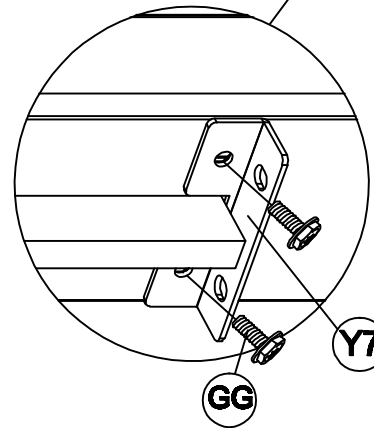
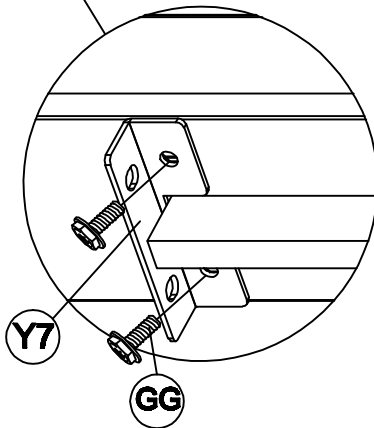
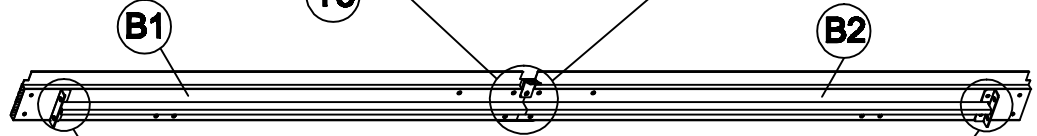
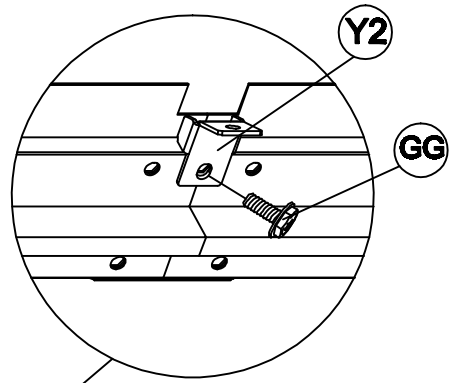
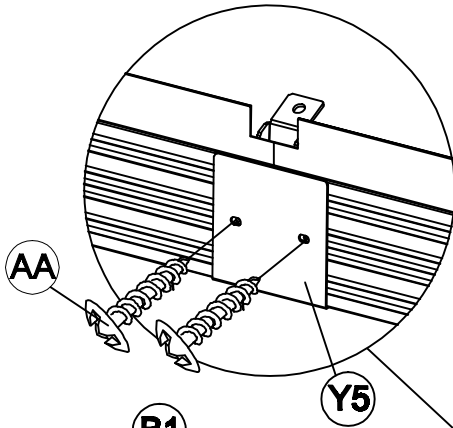
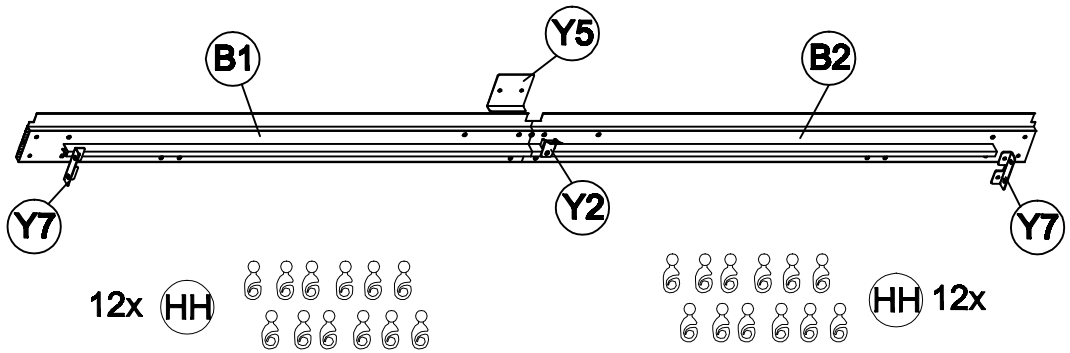
Y2 4x



Y5 4x



Y7 8x



HH 96x



AA 8x

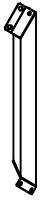


M4x16

GG 20x



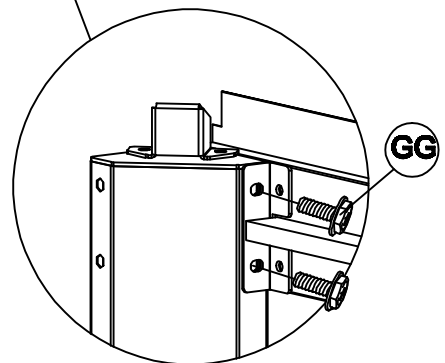
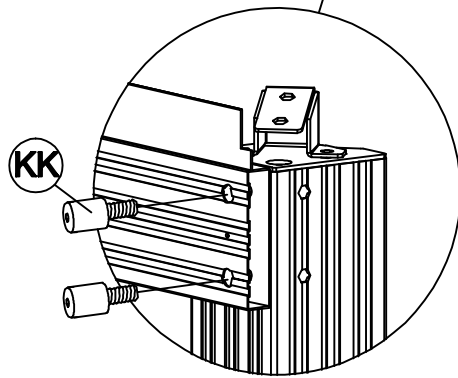
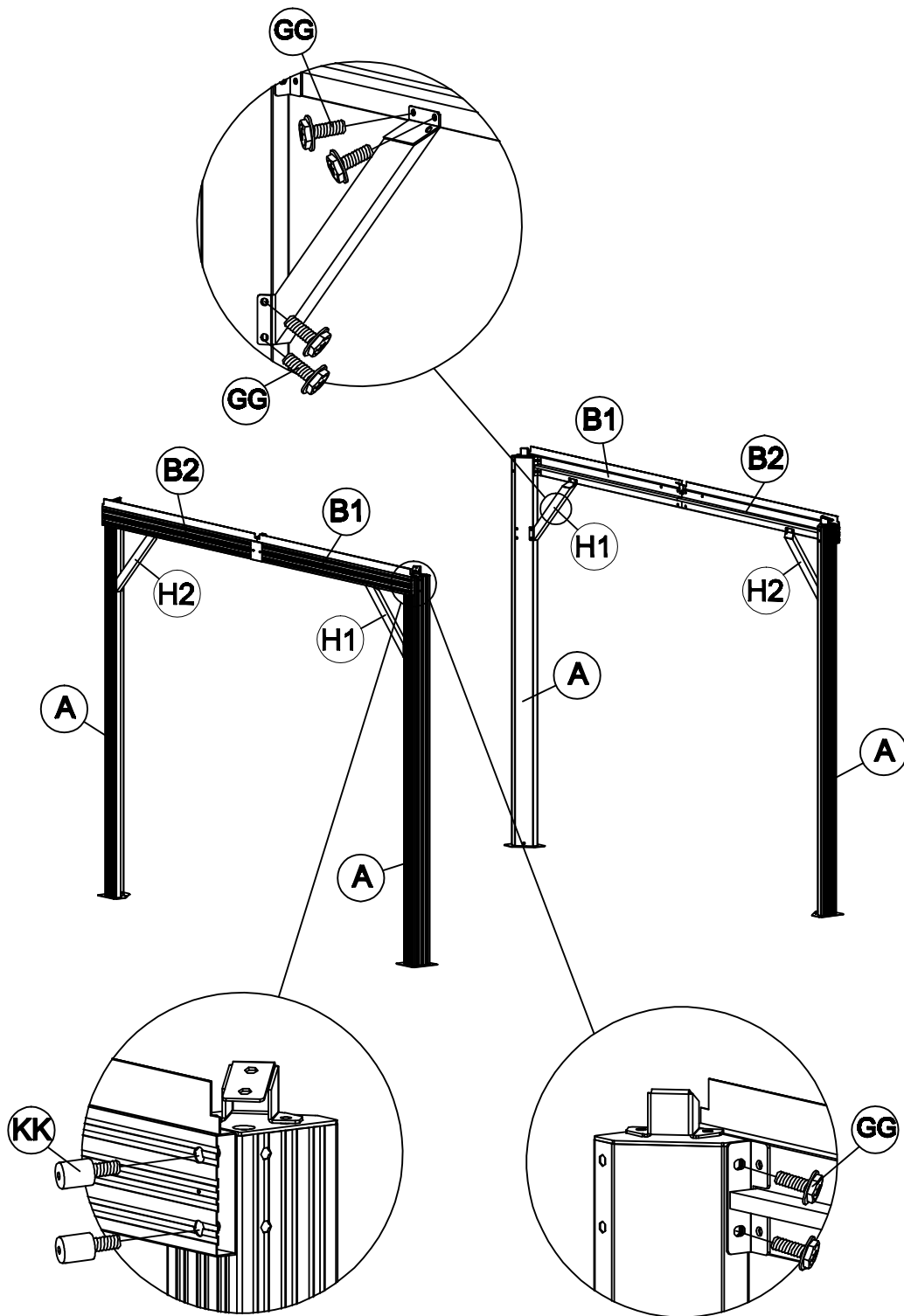
M6x15



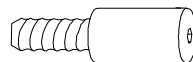
H1 2x



H2 2x

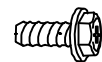


KK 8x

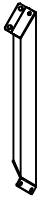


M6x35

GG 24x



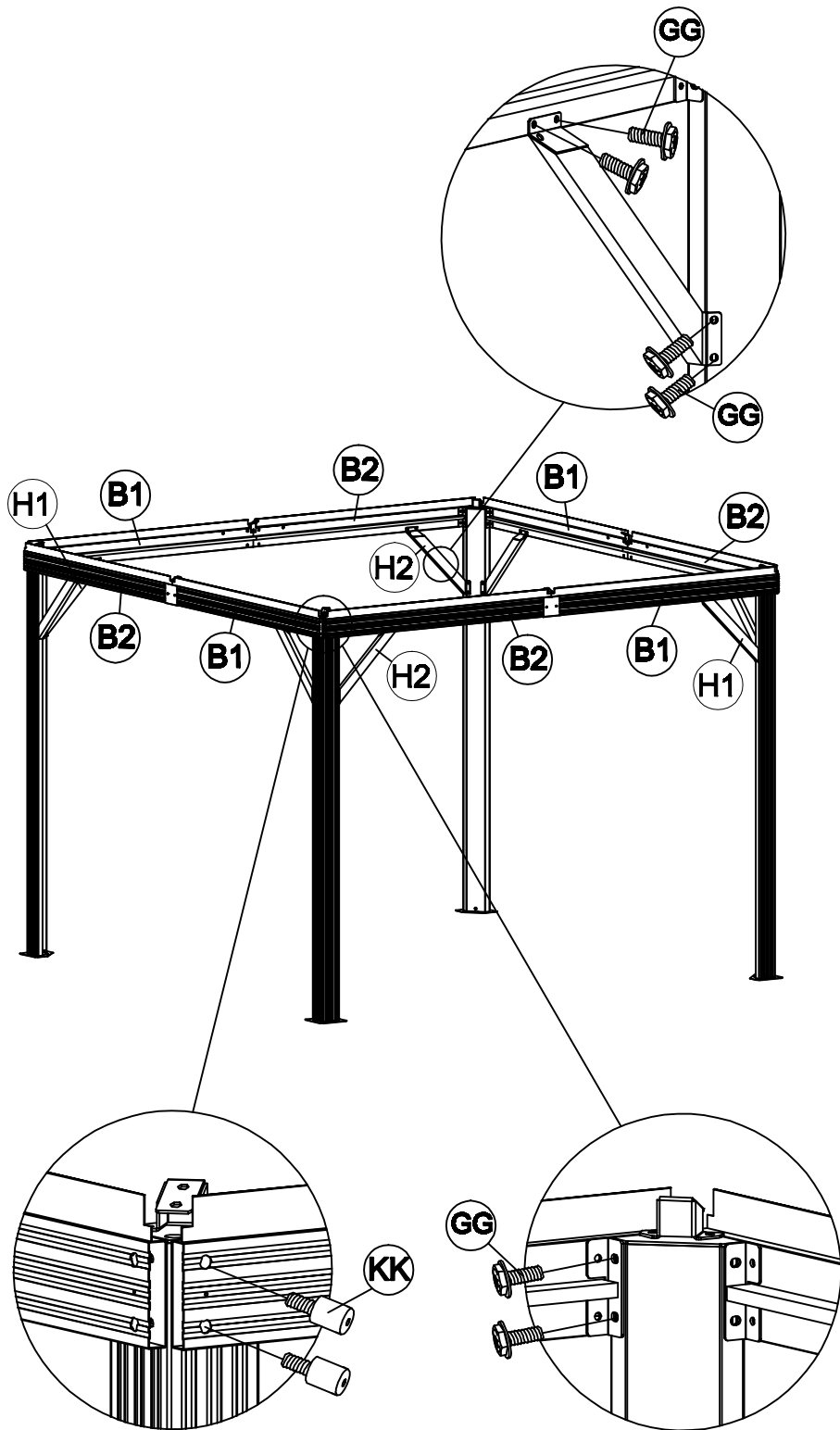
M6x15



H1 2x

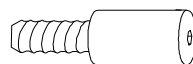


H2 2x



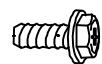
5

KK 8x

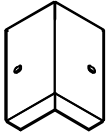


M6x35

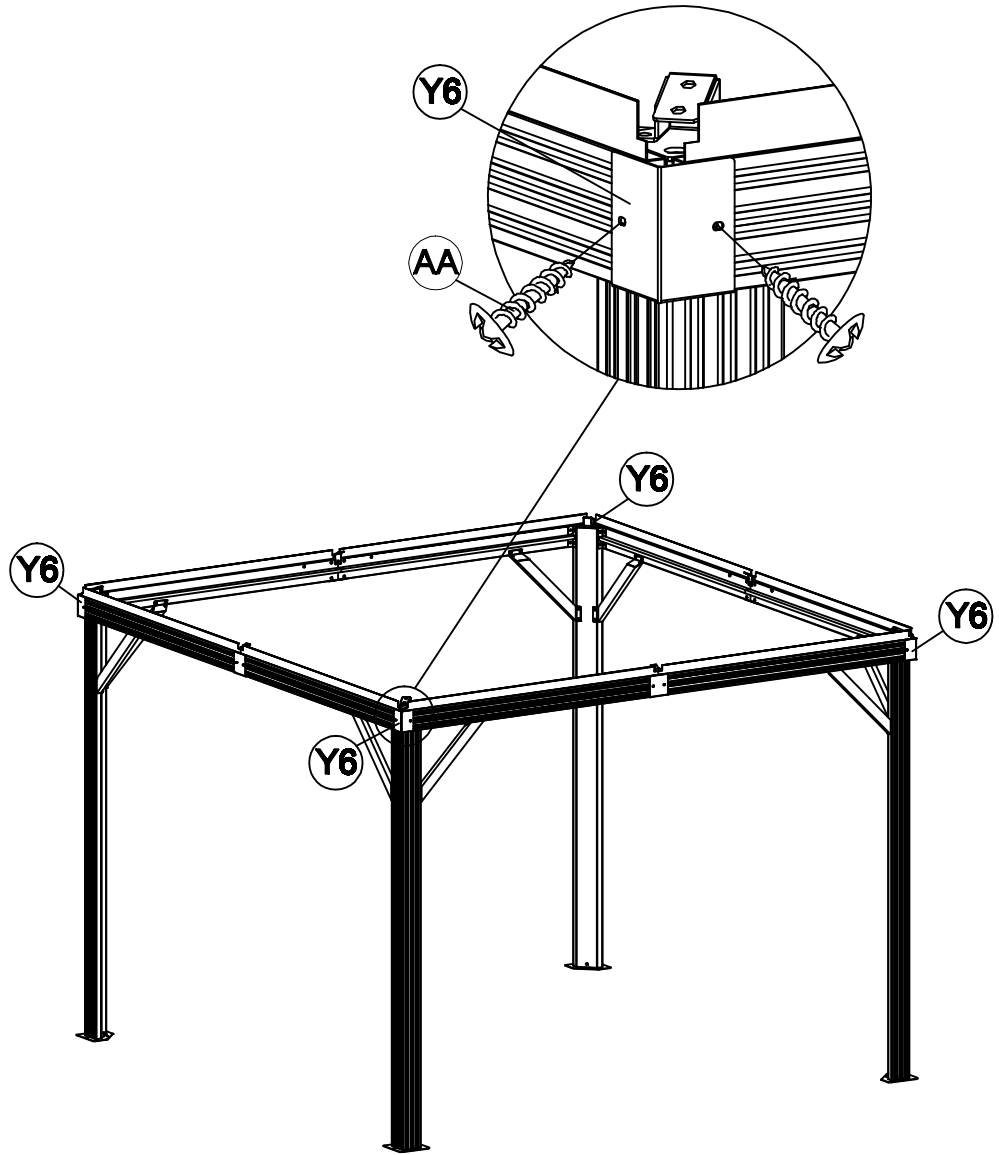
GG 24x



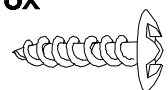
M6x15



Y6 4x



AA 8x



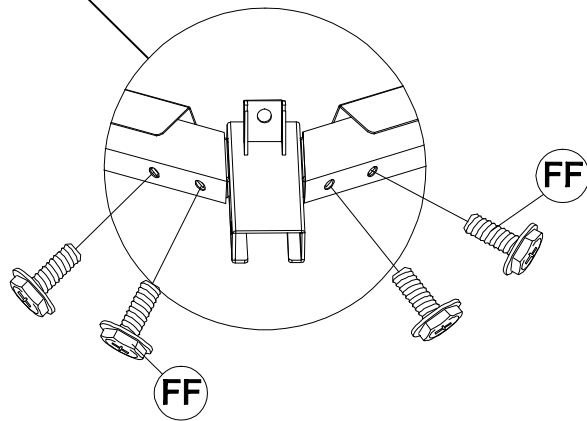
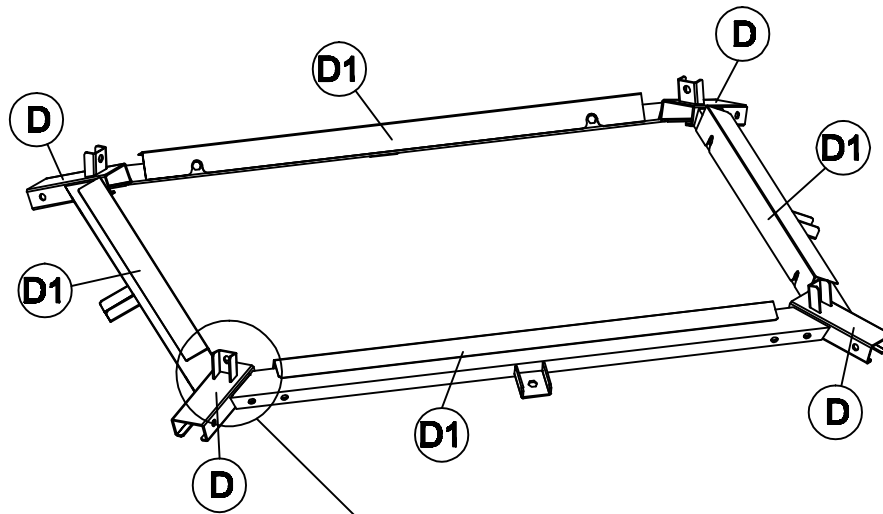
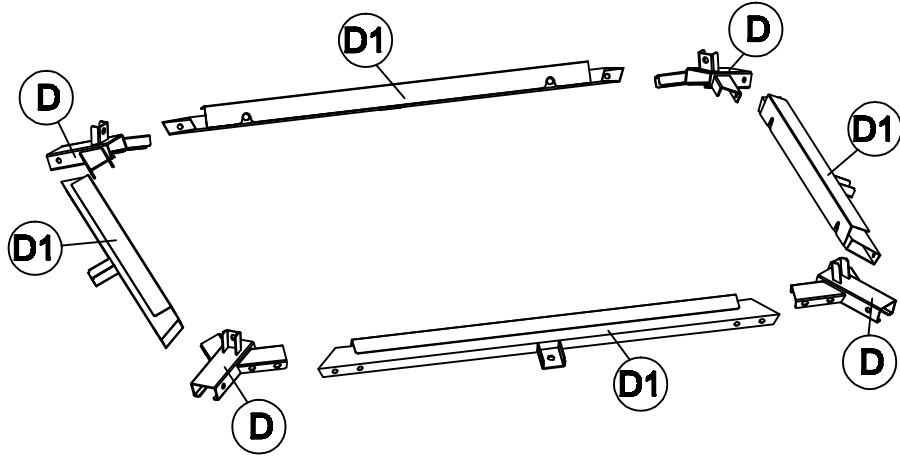
M4x16



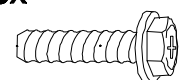
D 4x



D1 4x



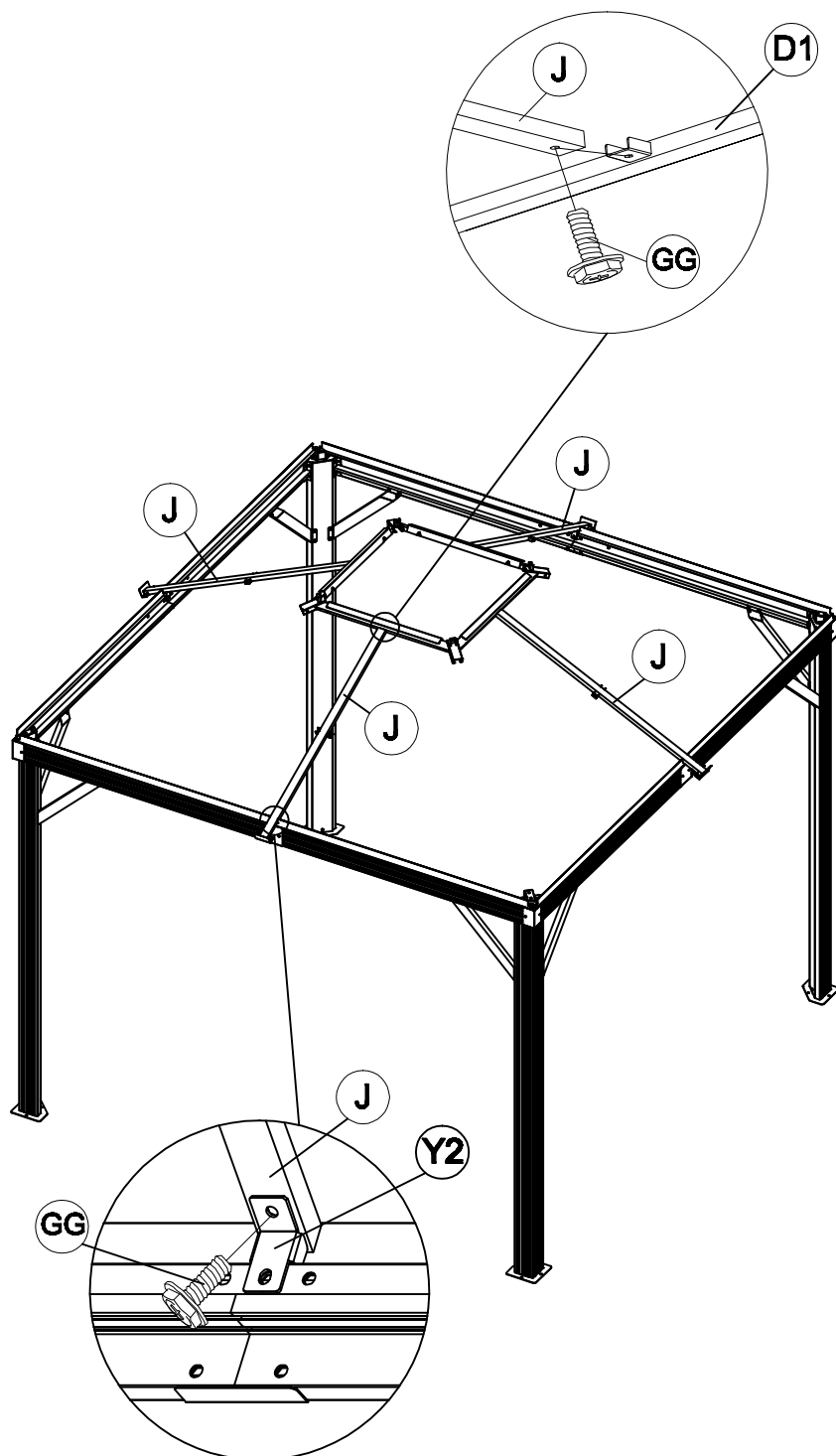
FF 16x



M6x20



J 4x



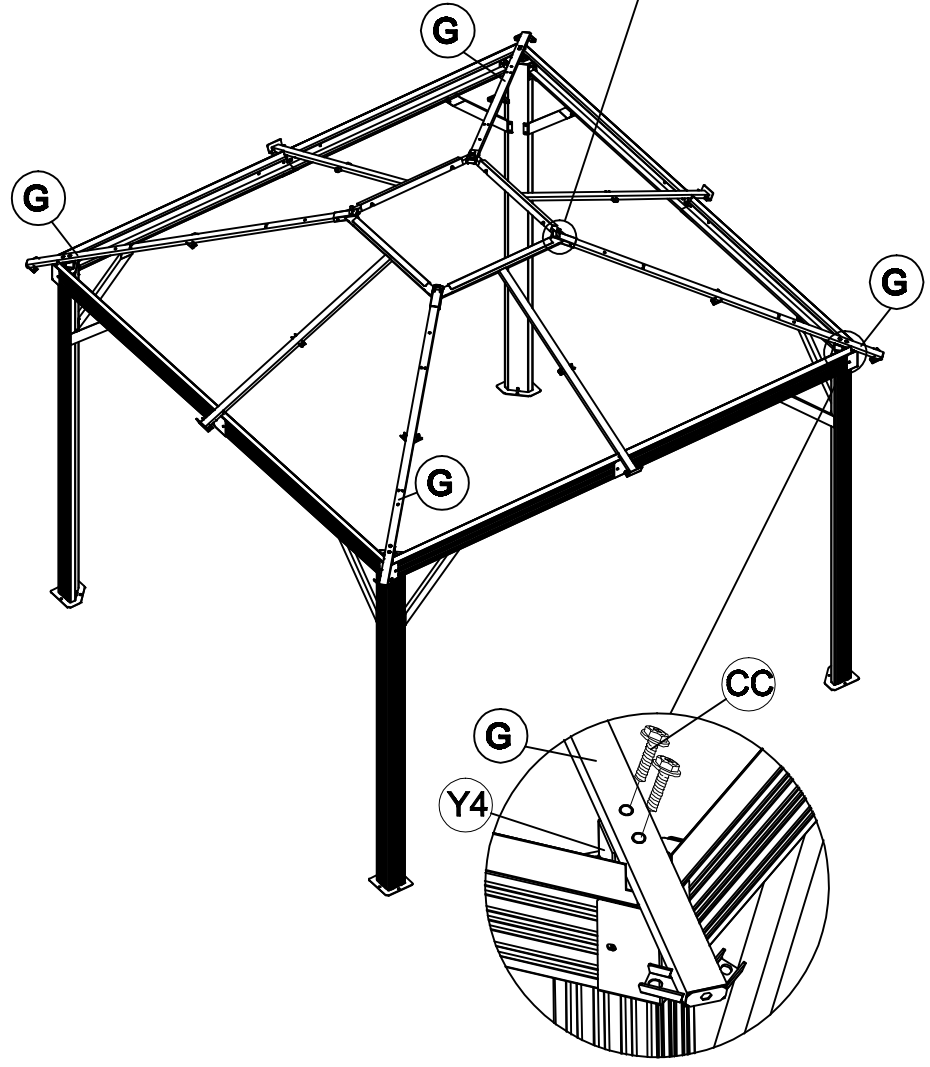
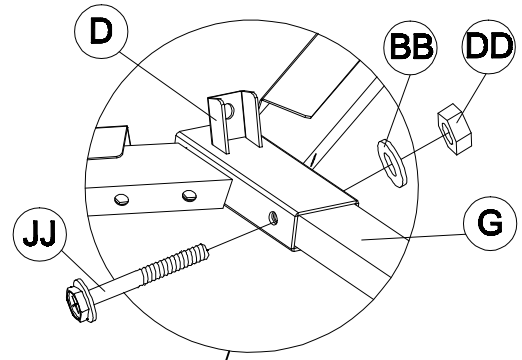
GG 8x



M6x15



G 4x



DD 4x



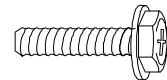
M6

BB 4x



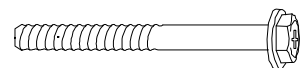
M6

CC 8x



M6x35

JJ 4x

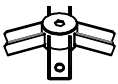


M6x55

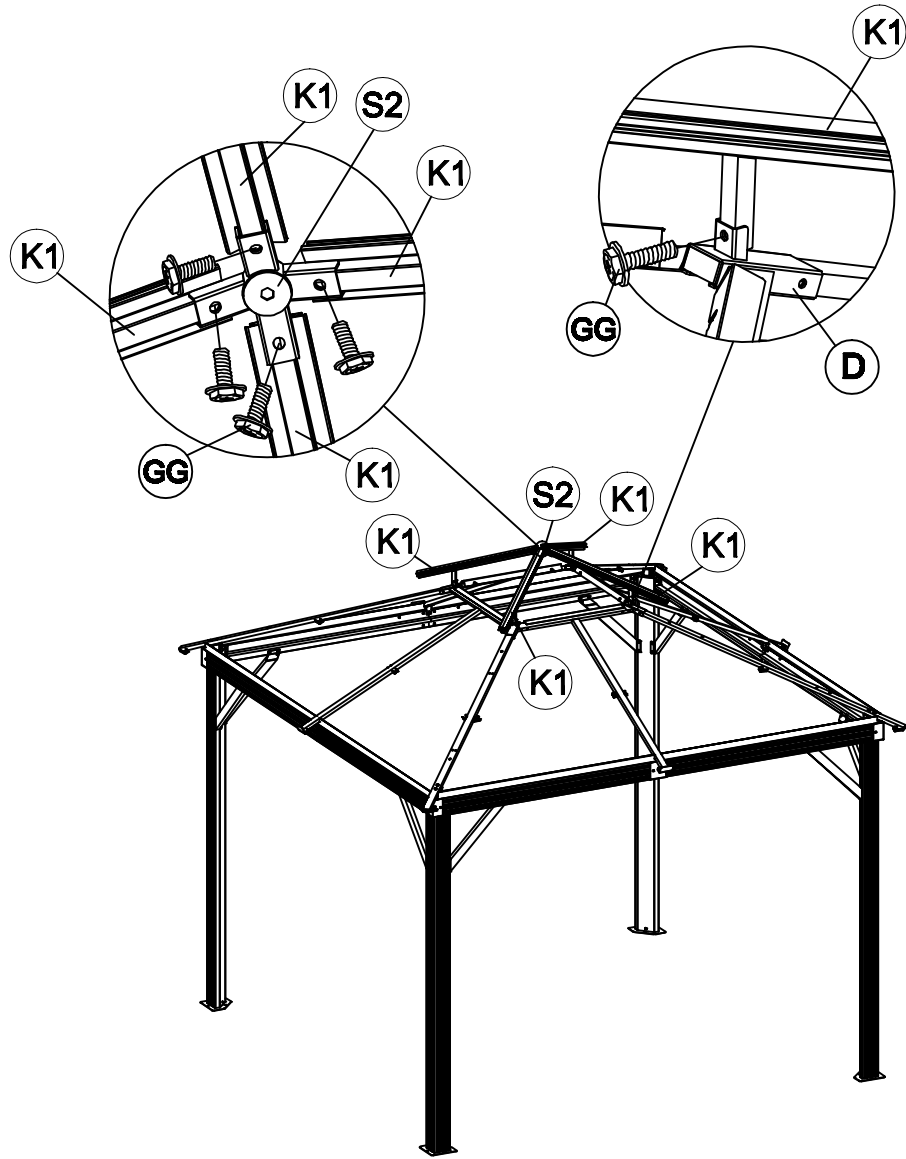
9



K1 4x



S2 1x

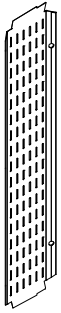


10

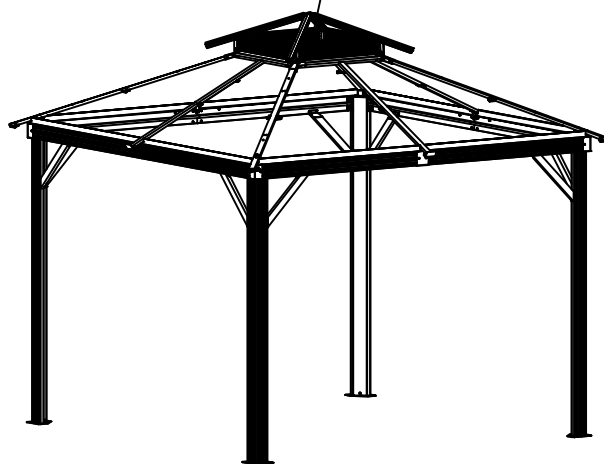
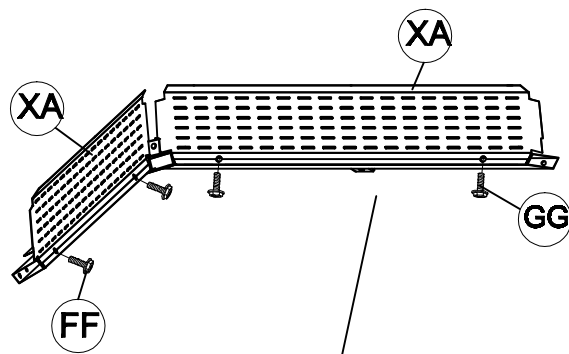
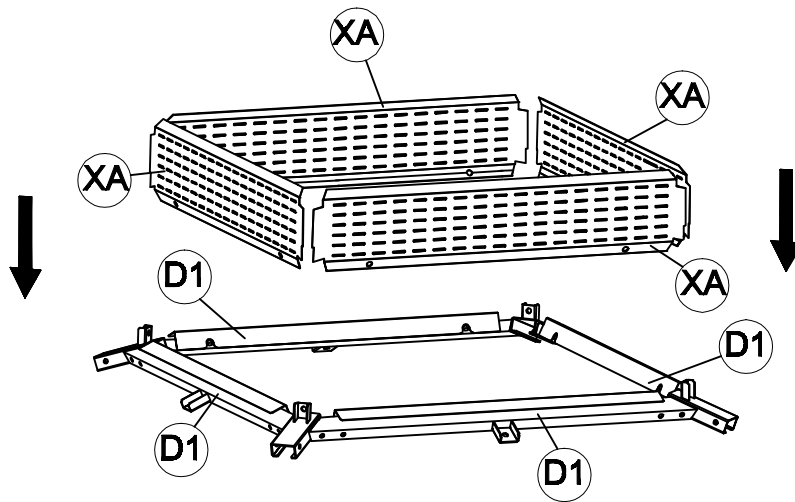
GG 8x



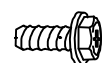
M6x15



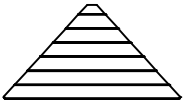
XA 4x



GG 8x



M6x15



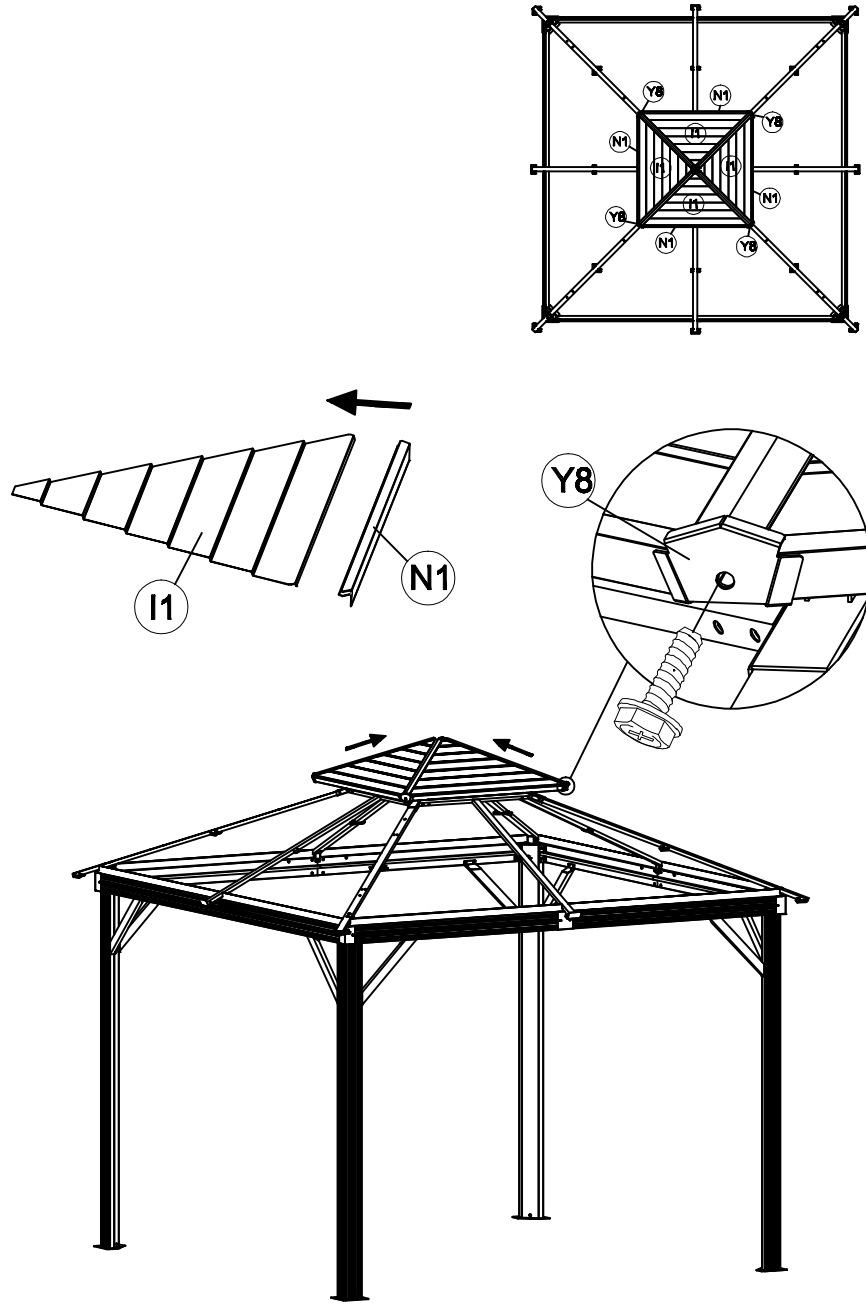
I1 4x



N1 4x

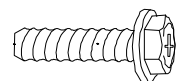


Y8 4x

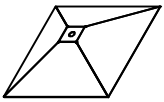


12

FF 4x



M6x20



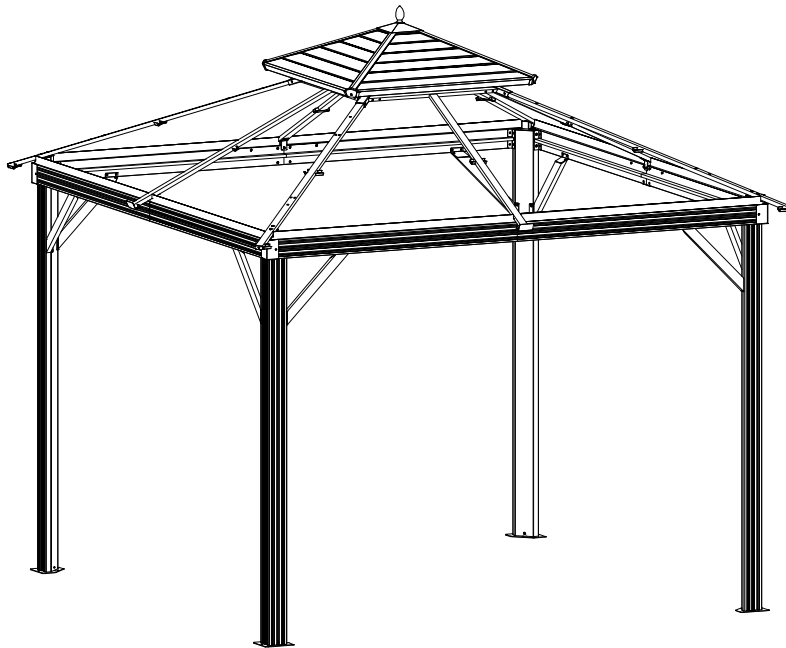
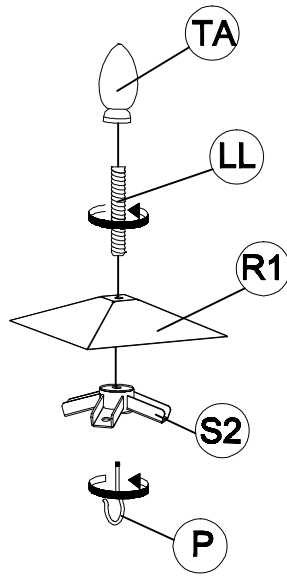
R1 1x



P 1x



TA 1x



LL 1x



M6x55



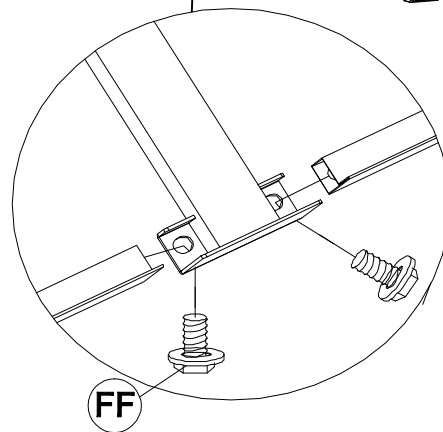
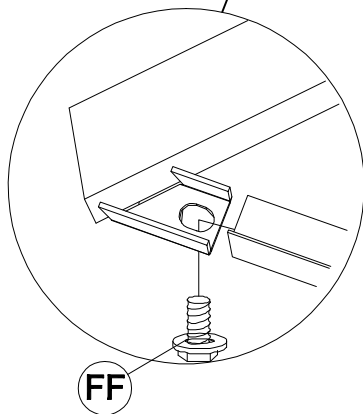
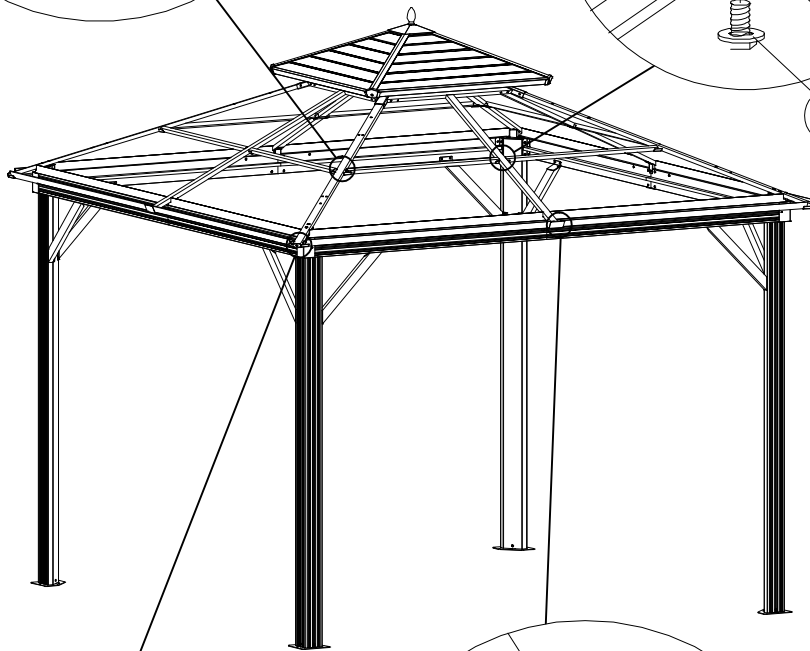
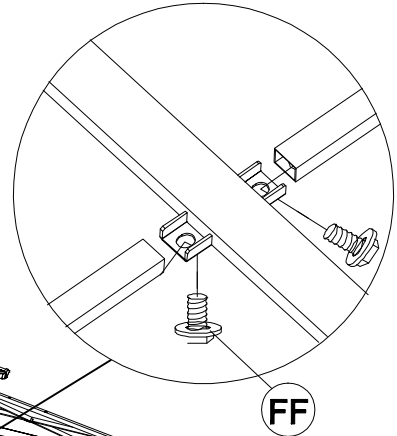
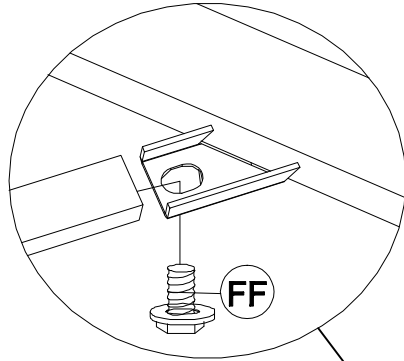
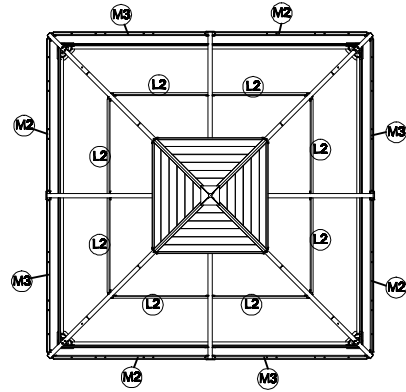
L2 8x



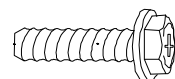
M1 4x



M2 4x

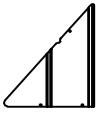


FF 32x

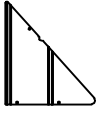


M6x20

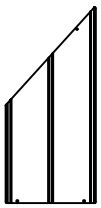
14



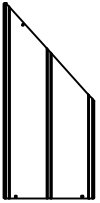
Q1 4x



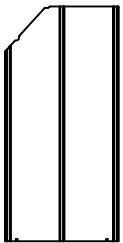
Q2 4x



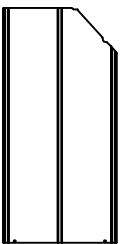
Q3 4x



Q4 4x

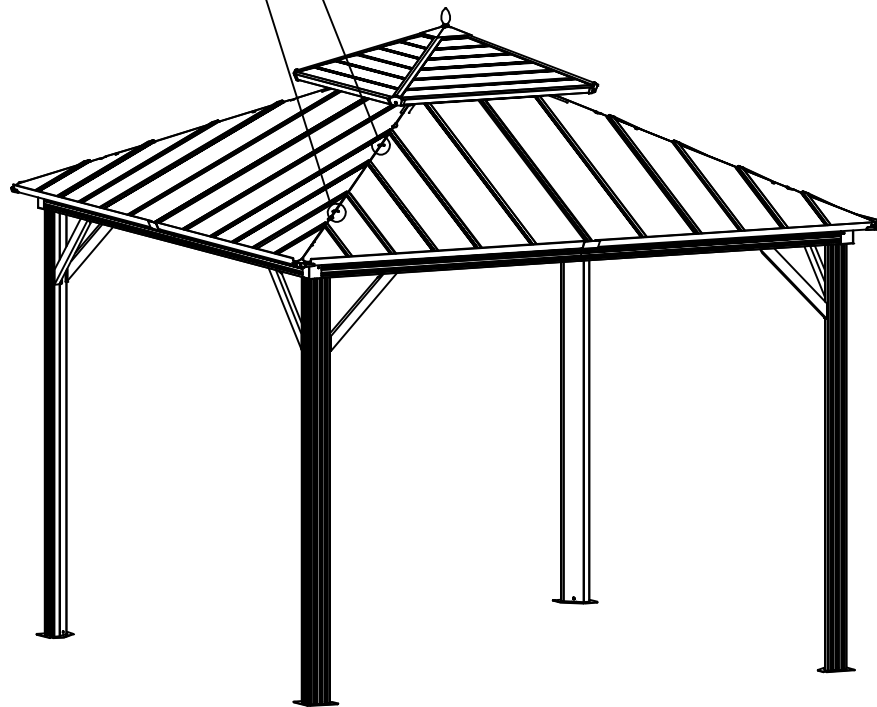
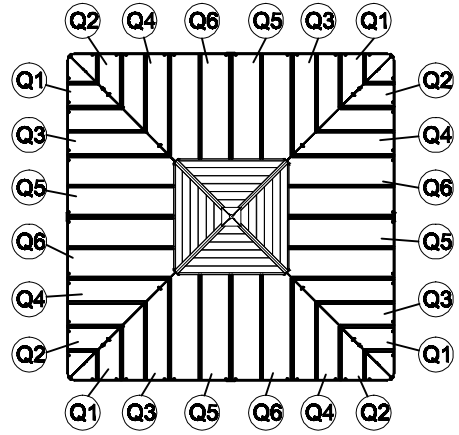
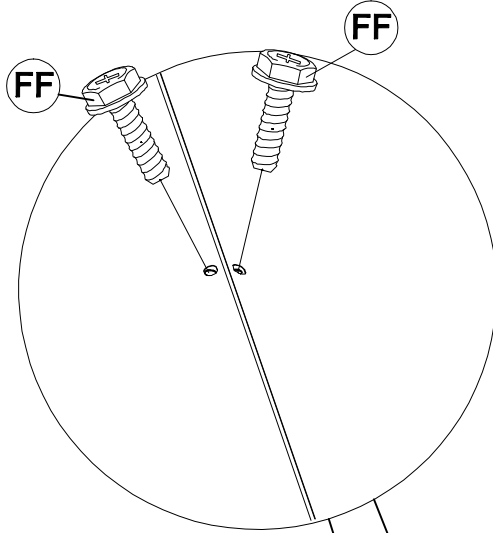


Q5 4x

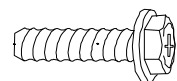


Q6 4x

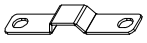
15



FF 16x



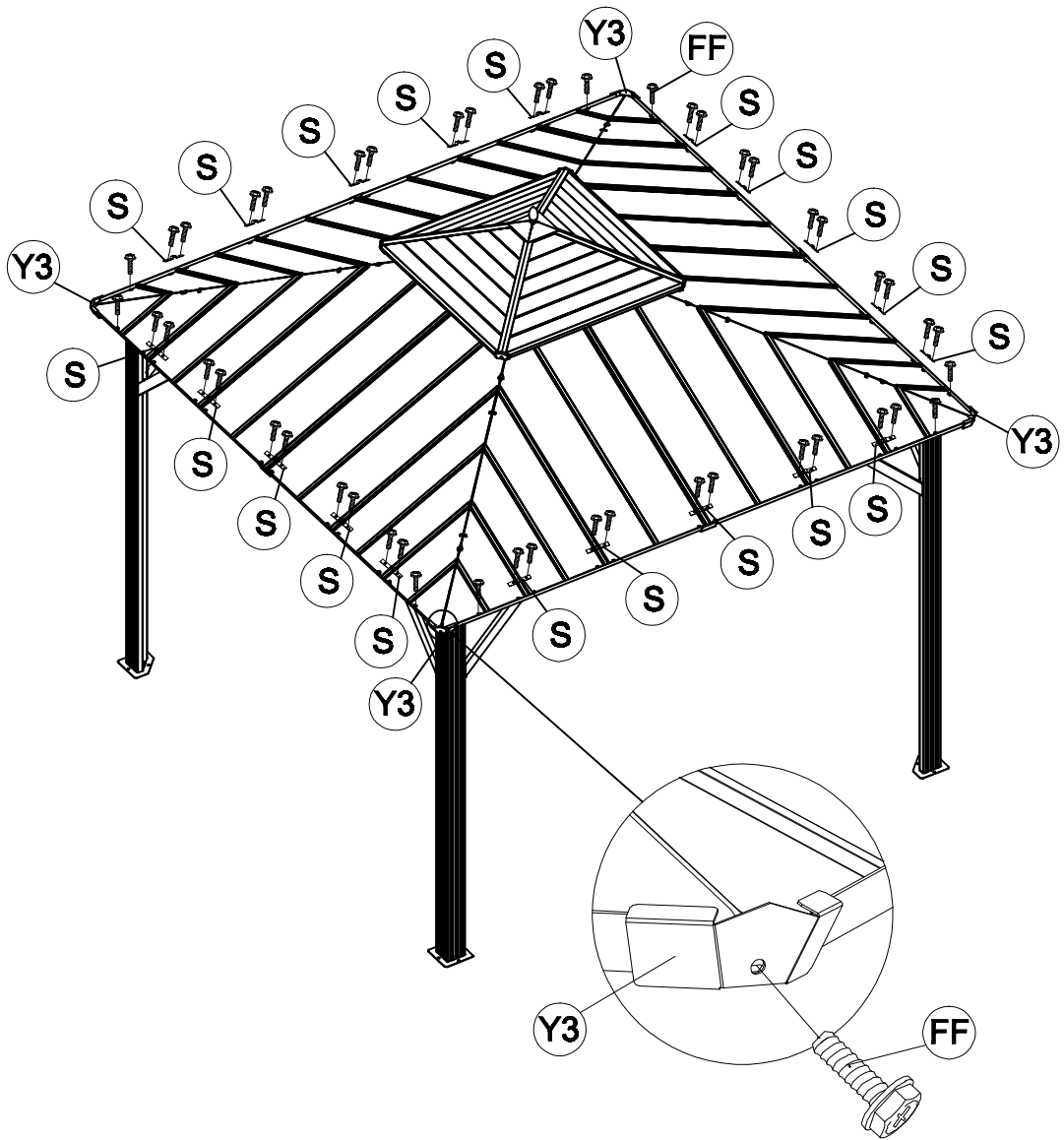
M6x20



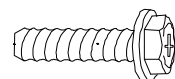
S 20x



Y3 4x



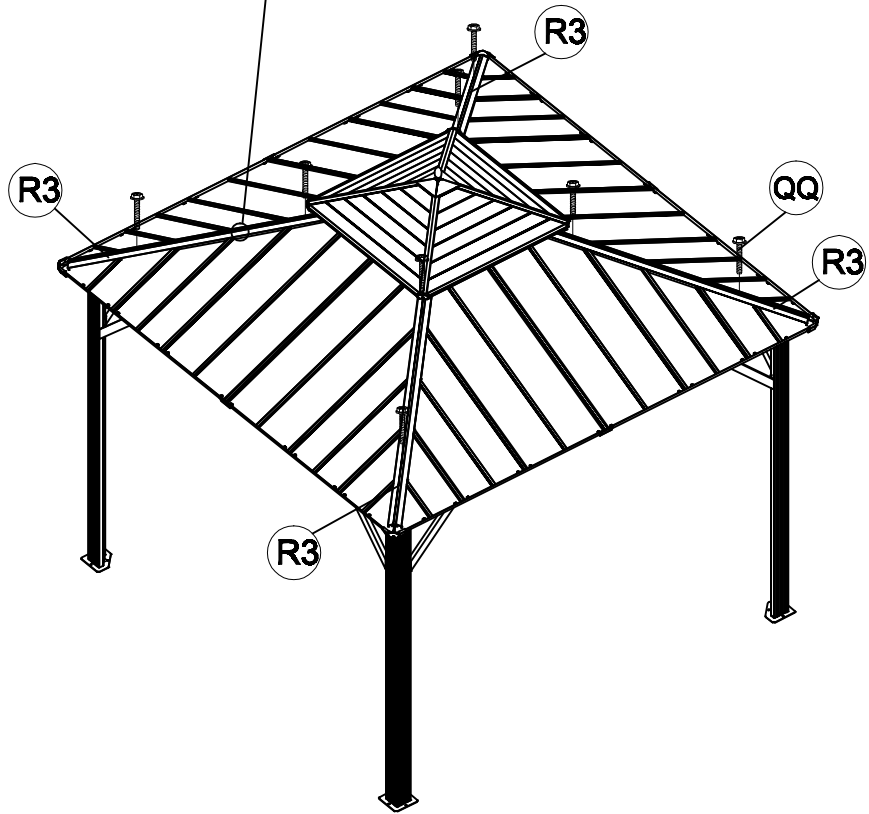
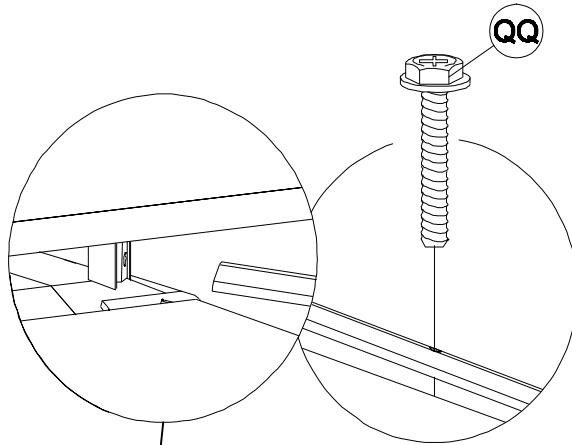
FF 52x



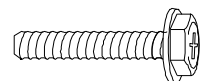
M6x20



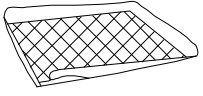
R3 4x



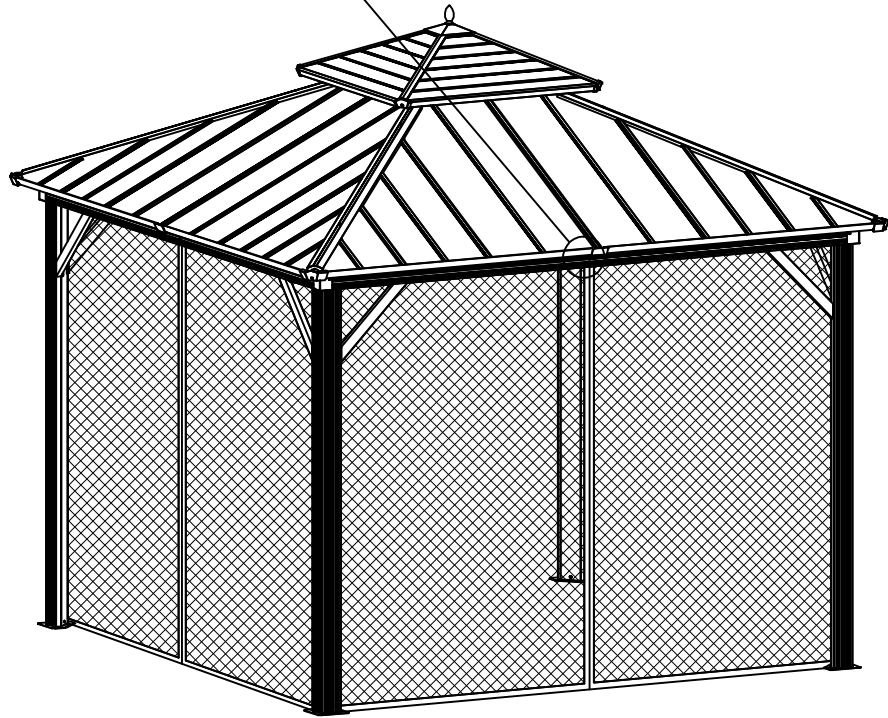
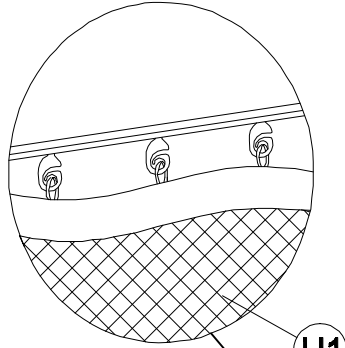
QQ 8x

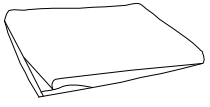


M6x40

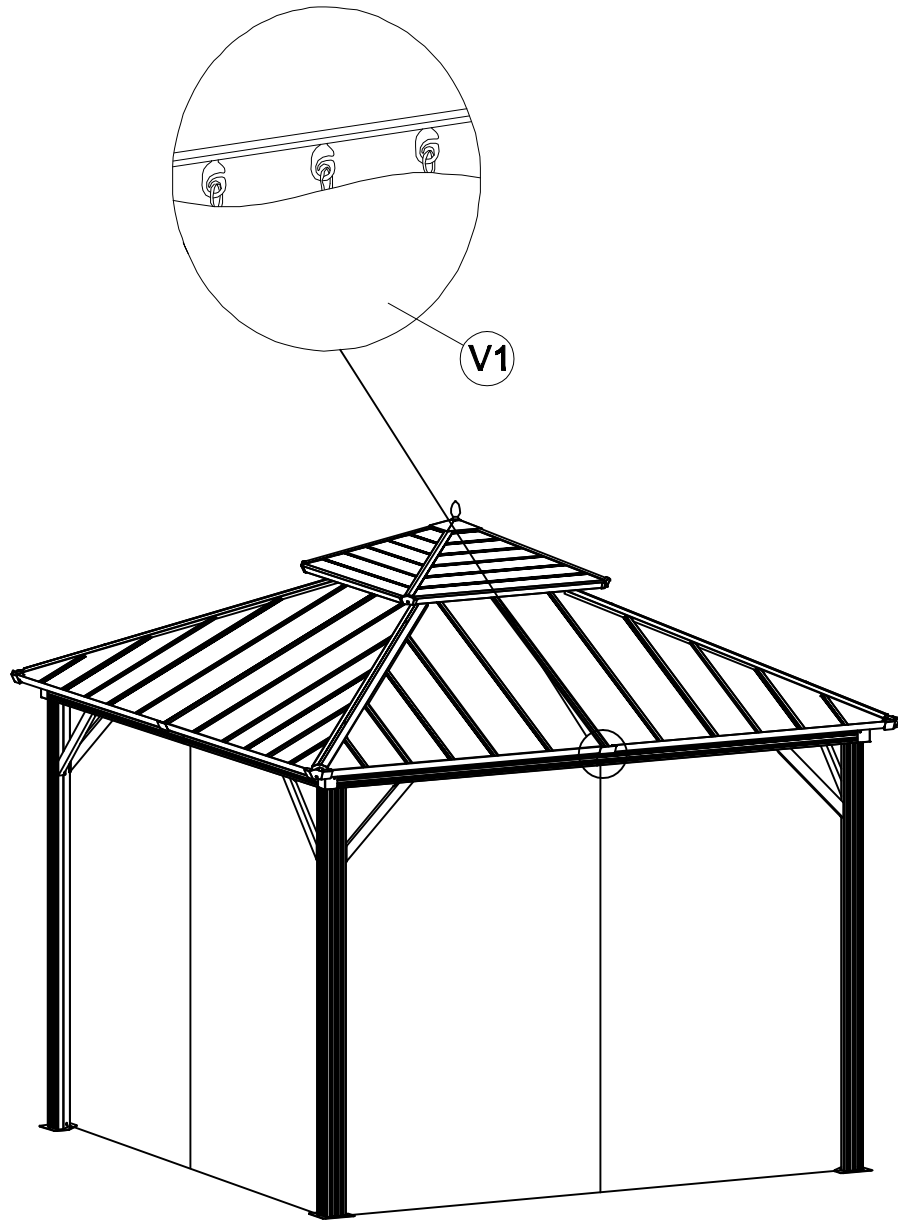


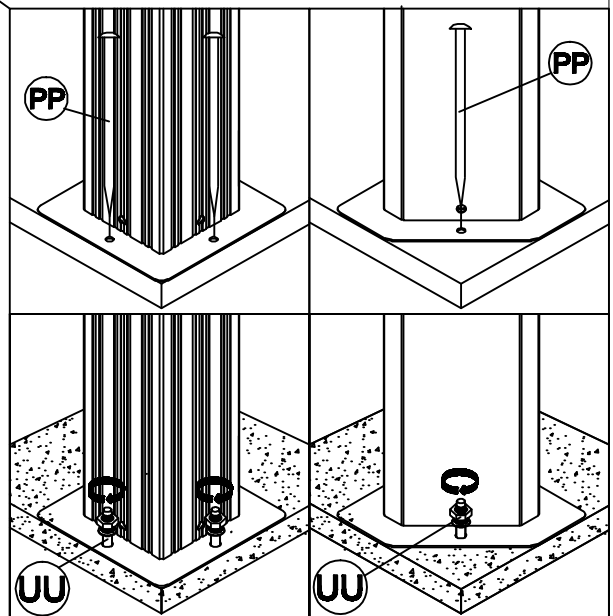
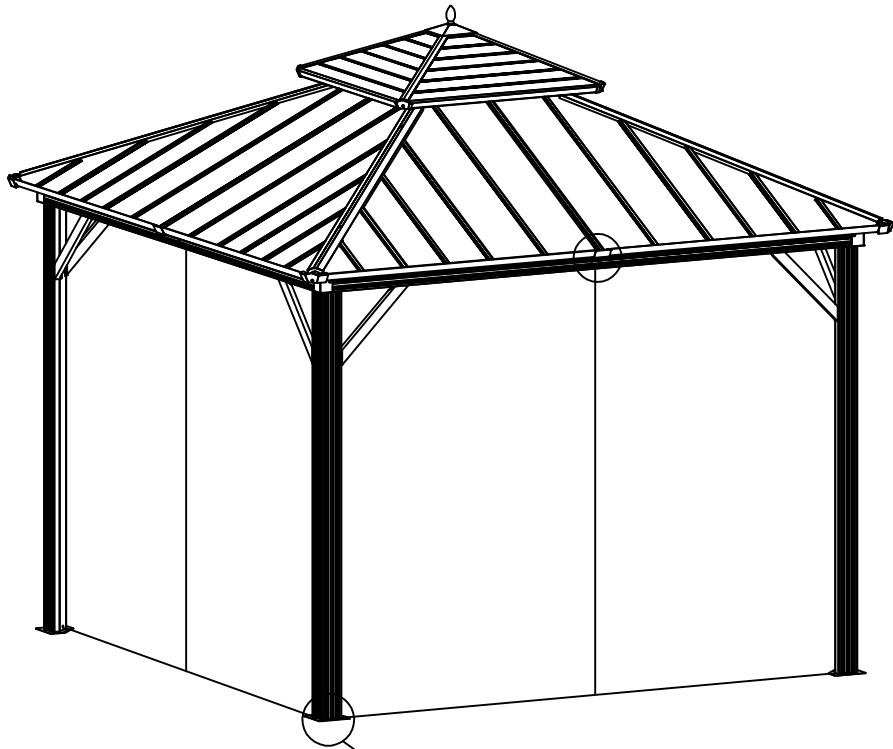
U1 1x



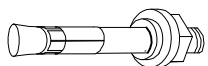


V1 1x



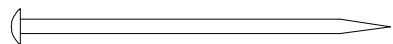


UU 12x



M6X80

PP 12x



D8X180