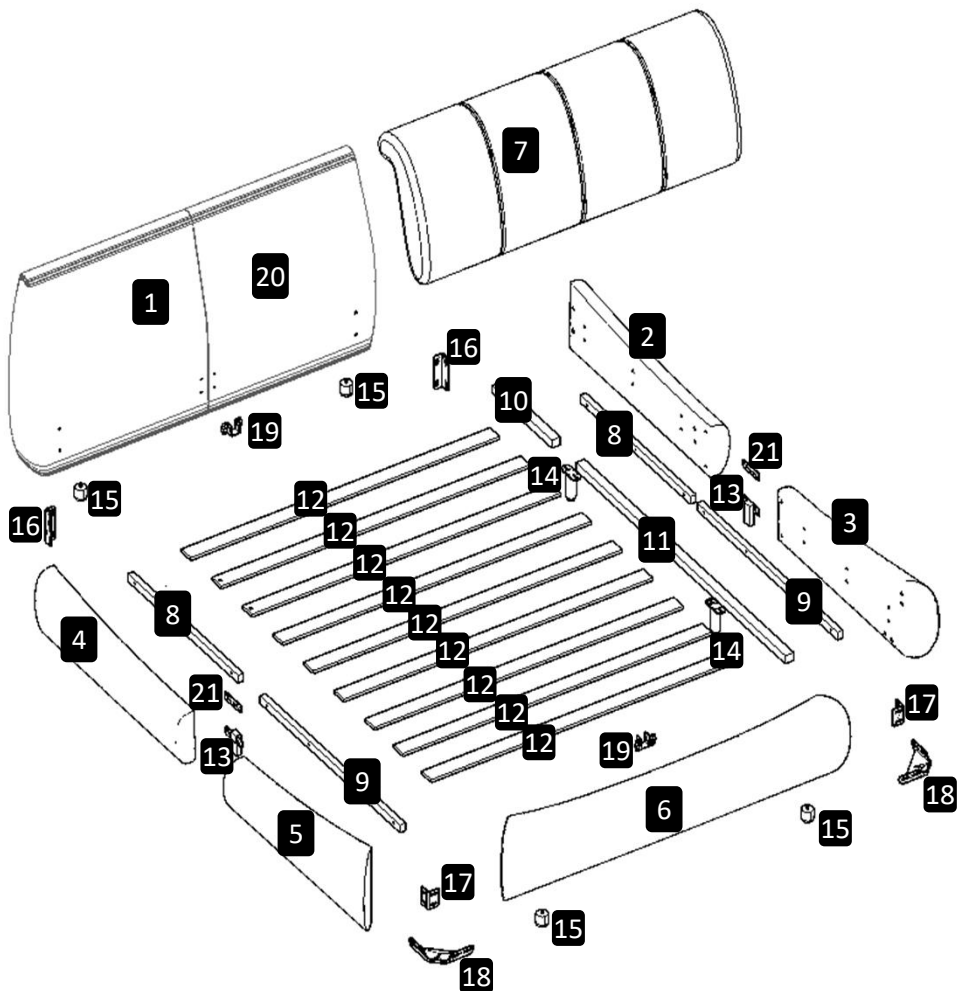
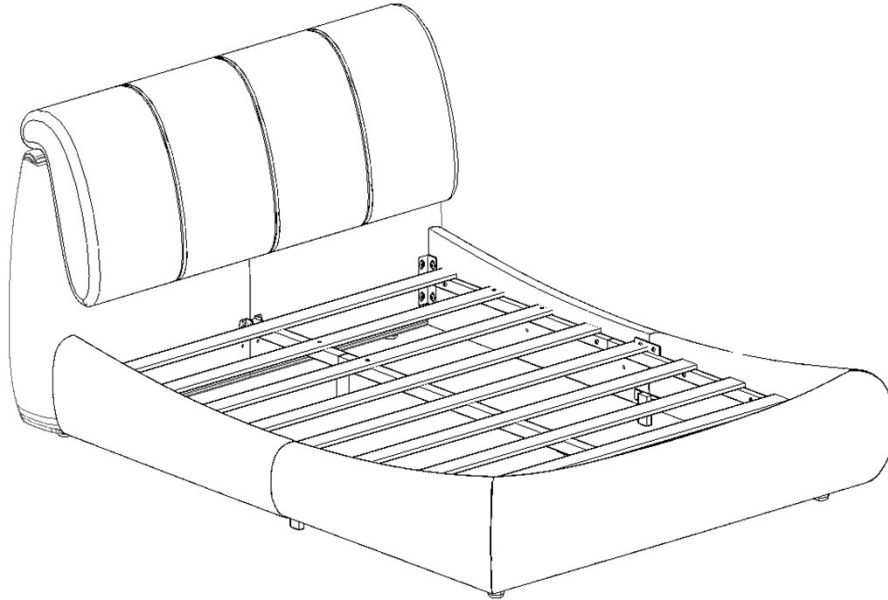


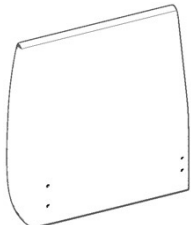
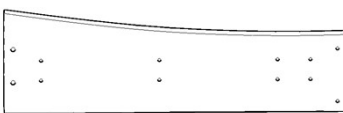
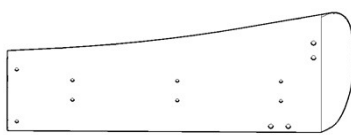
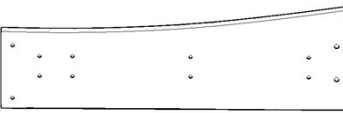
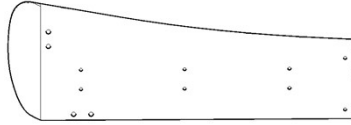
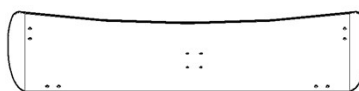
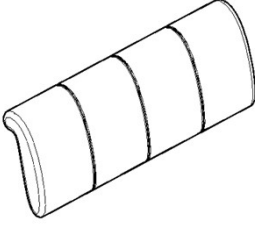
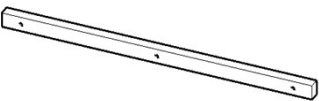
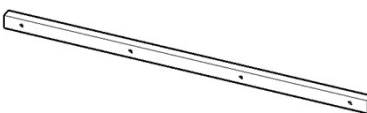



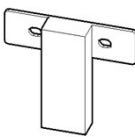



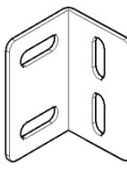
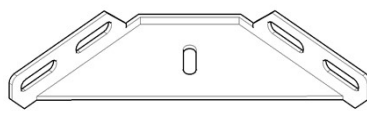
# ASSEMBLY INSTRUCTION

BW00044AAA / BW00044AAE/ BW00044AAK/BW00044AAL

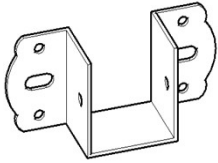
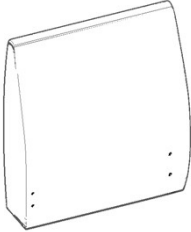
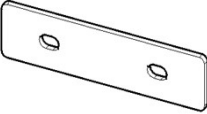
- TIPS**
1. This bed fit standard twin mattress 80" L x 60" W.
  2. Always use the recommended size mattresses or mattress supports, or both, to help prevent the likelihood of entrapment or falls.
  3. Do not allow horseplay on or under the bed and prohibit jumping on the bed.
  4. Do not use substitute part. Contact the manufacture or dealer for replacement part.








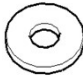
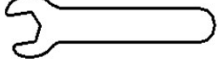

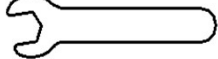


# Part List

<p>1</p>  <p>Left Headboard x1</p>	<p>2</p>  <p>Side Rail x1</p>	<p>3</p>  <p>Side Rail x1</p>
<p>4</p>  <p>Side Rail x1</p>	<p>5</p>  <p>Side Rail x1</p>	<p>6</p>  <p>Footboard x1</p>
<p>7</p>  <p>Soft Cushion x1</p>	<p>8</p>  <p>Side Support Bracket x2</p>	<p>9</p>  <p>Side Support Bracket x2</p>
<p>10</p>  <p>Support Frame x1</p>	<p>11</p>  <p>Support Frame x1</p>	<p>12</p>  <p>Slats x9</p>
<p>13</p>  <p>Short-Support Leg x2</p>	<p>14</p>  <p>Long-Support Leg x2</p>	<p>15</p>  <p>Plastic Feet x4</p>
<p>16</p>  <p>Long-Angle Iron x2</p>	<p>17</p>  <p>Short-Angle Iron x2</p>	<p>18</p>  <p>Triangle-Angle Iron x2</p>

## Part List

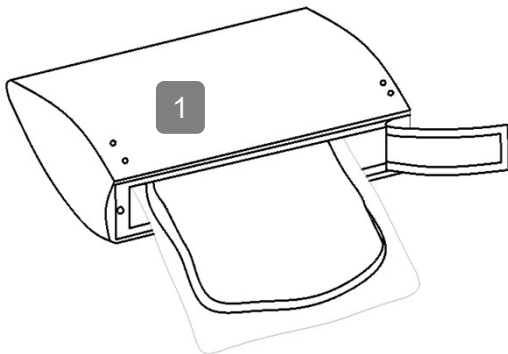
<p style="text-align: center;"><b>19</b></p>  <p style="text-align: center;">U-Shaped Bracket x2</p>	<p style="text-align: center;"><b>20</b></p>  <p style="text-align: center;">Right Headboard x1</p>	<p style="text-align: center;"><b>21</b></p>  <p style="text-align: center;">Iron Sheet x2</p>
---	--	---

## Hardware List

<p style="text-align: center;"><b>A</b></p>  <p style="text-align: center;">Bolts(M6X20mm) X12</p>	<p style="text-align: center;"><b>B</b></p>  <p style="text-align: center;">Bolts(M6X40mm) X14</p>	<p style="text-align: center;"><b>C</b></p>  <p style="text-align: center;">Bolts(M8X20mm) X28</p>
<p style="text-align: center;"><b>D</b></p>  <p style="text-align: center;">Bolts(M8X50mm) X2</p>	<p style="text-align: center;"><b>E</b></p>  <p style="text-align: center;">Nut(M8) X4</p>	<p style="text-align: center;"><b>F</b></p>  <p style="text-align: center;">Flat Gasket X4</p>
<p style="text-align: center;"><b>G</b></p>  <p style="text-align: center;">Spanner(M6) X1</p>	<p style="text-align: center;"><b>H</b></p>  <p style="text-align: center;">Allen Key(M6) X1</p>	<p style="text-align: center;"><b>I</b></p>  <p style="text-align: center;">Spanner(M8) X1</p>
<p style="text-align: center;"><b>J</b></p>  <p style="text-align: center;">Allen Key(M8) X1</p>	<p style="text-align: center;"><b>K</b></p>  <p style="text-align: center;">Screws (M4X20mm) X6</p>	

# Step1

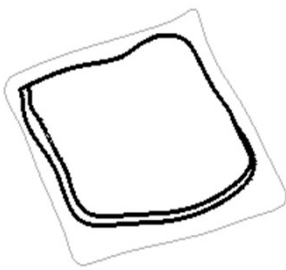
**Attention:** Do not tighten the screws before completing the entire installation. If you have any difficulty with the installation process, please feel free to contact us.



## Note:

Due to the compression packaging of the backrest, please pat it gently until it is fluffy and leave it for 48 hours to recover 100%.

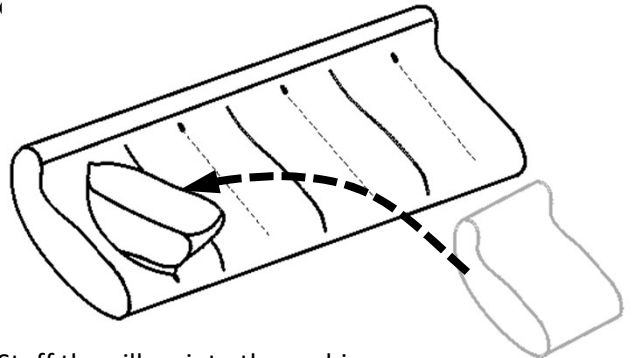
① First, open the bottom of the No. 1 headboard, and then remove the pillow that is placed inside



Tear open the packing plastic bag



②



Stuff the pillow into the cushion

**(Pillow core and cushion should be in the same direction)**

Repeat the procedure until all four pillows are fitted into the cushion

# Step2

D



Bolts(M8X50mm) X2

E

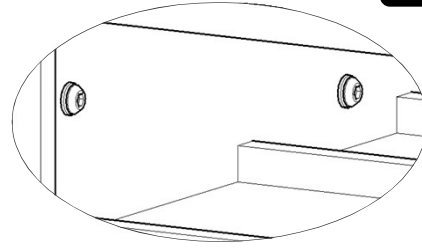
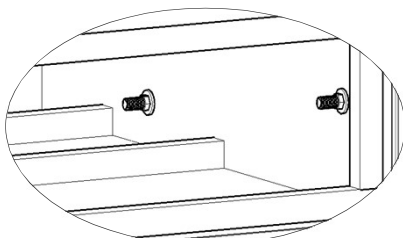
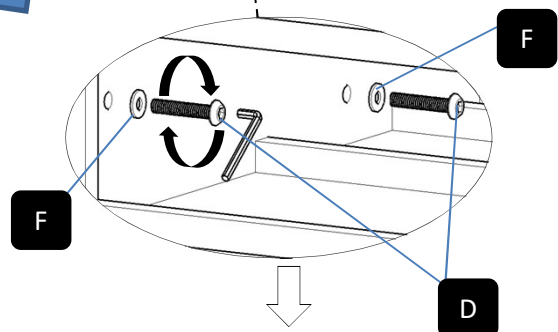
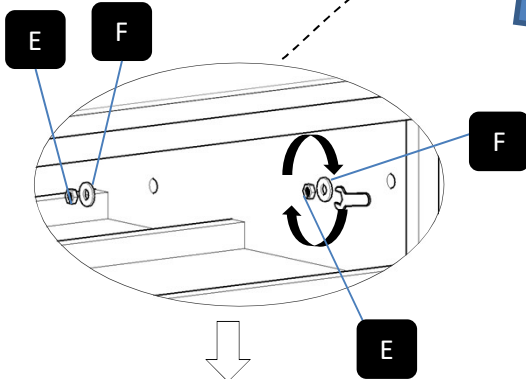
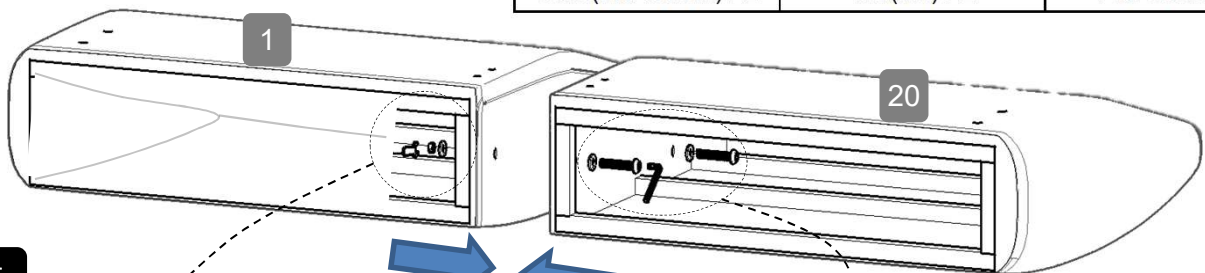


Nut(M8) X2

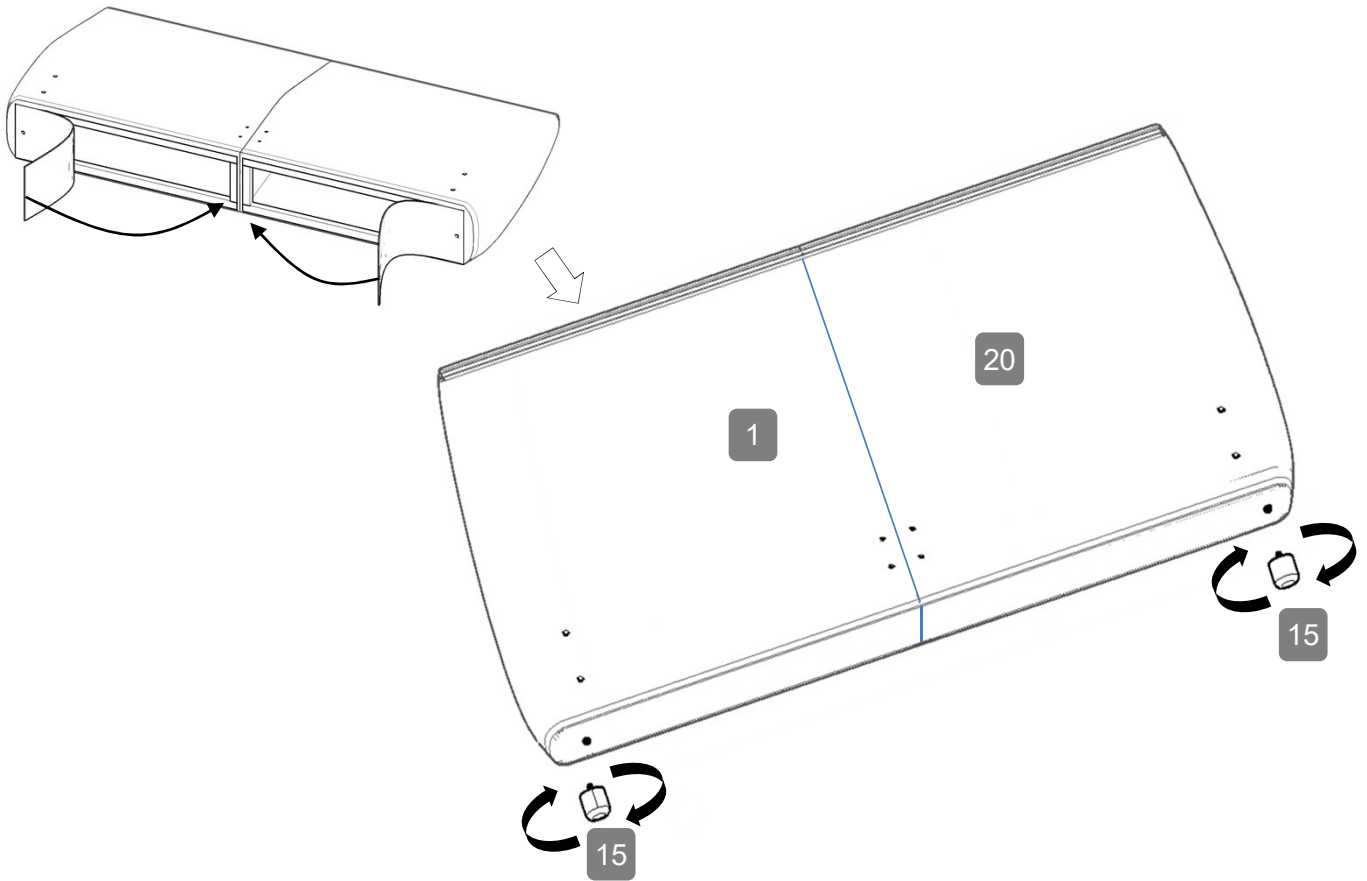
F



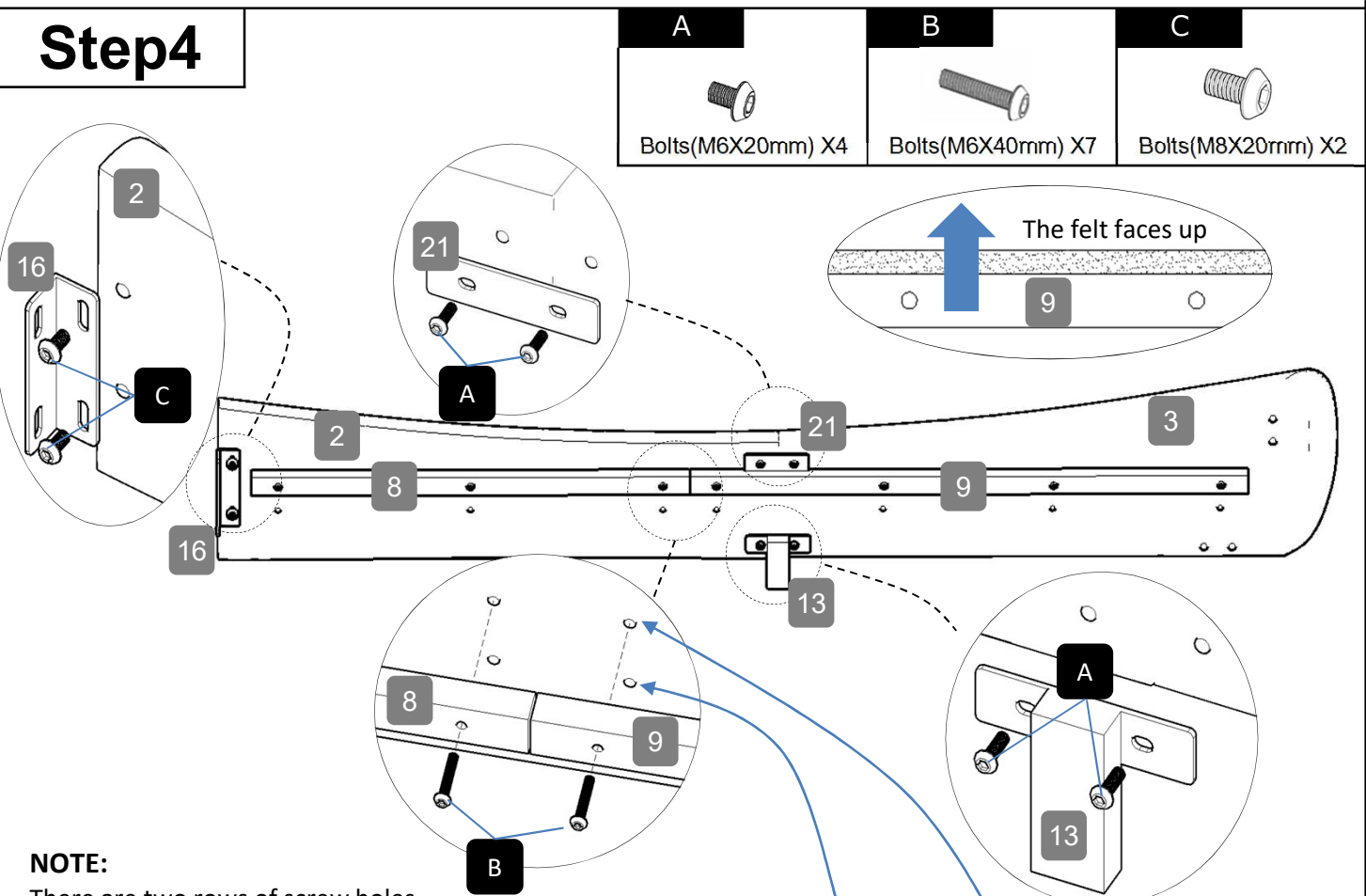
Flat Gasket X4



## Step3



## Step4






### NOTE:

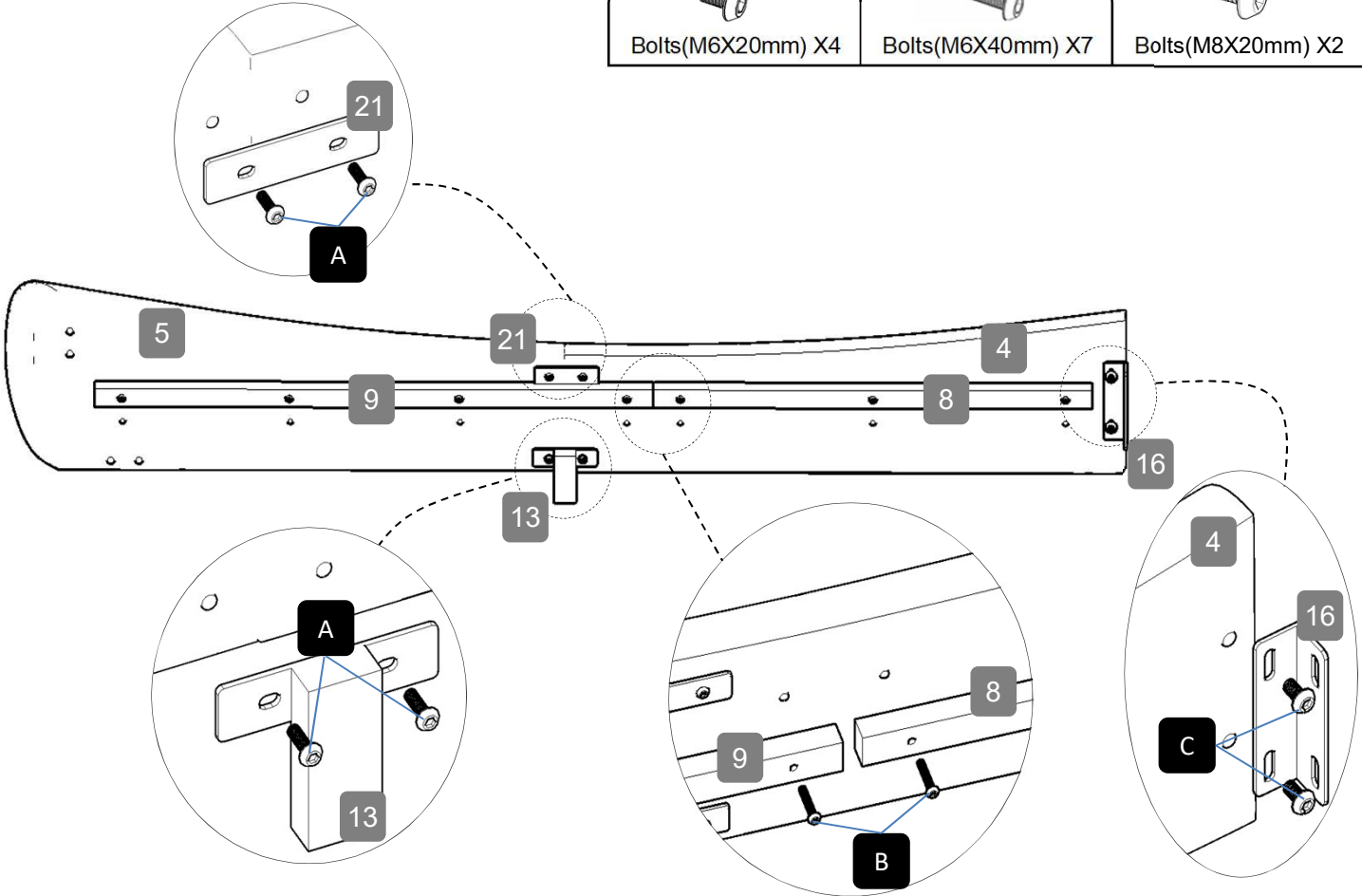
There are two rows of screw holes.

If the mattress is more than 12 inches thick, install parts 8 and 9 into the lower screw holes.

If the mattress is less than 12 inches thick, install parts 8 and 9 into the screw holes on the upper level

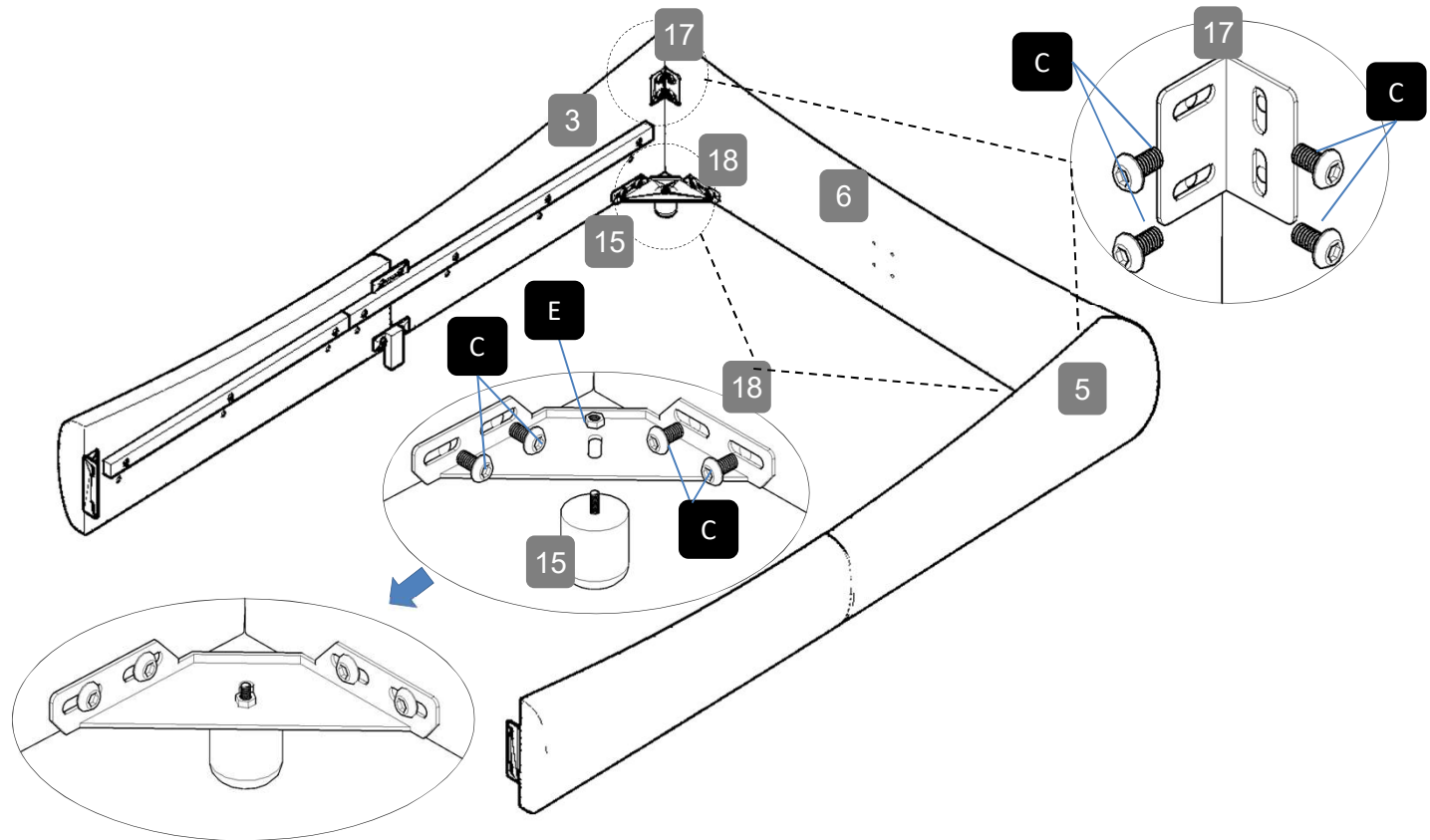
# Step5

<b>A</b>  Bolts(M6X20mm) X4	<b>B</b>  Bolts(M6X40mm) X7	<b>C</b>  Bolts(M8X20mm) X2
--	---	---

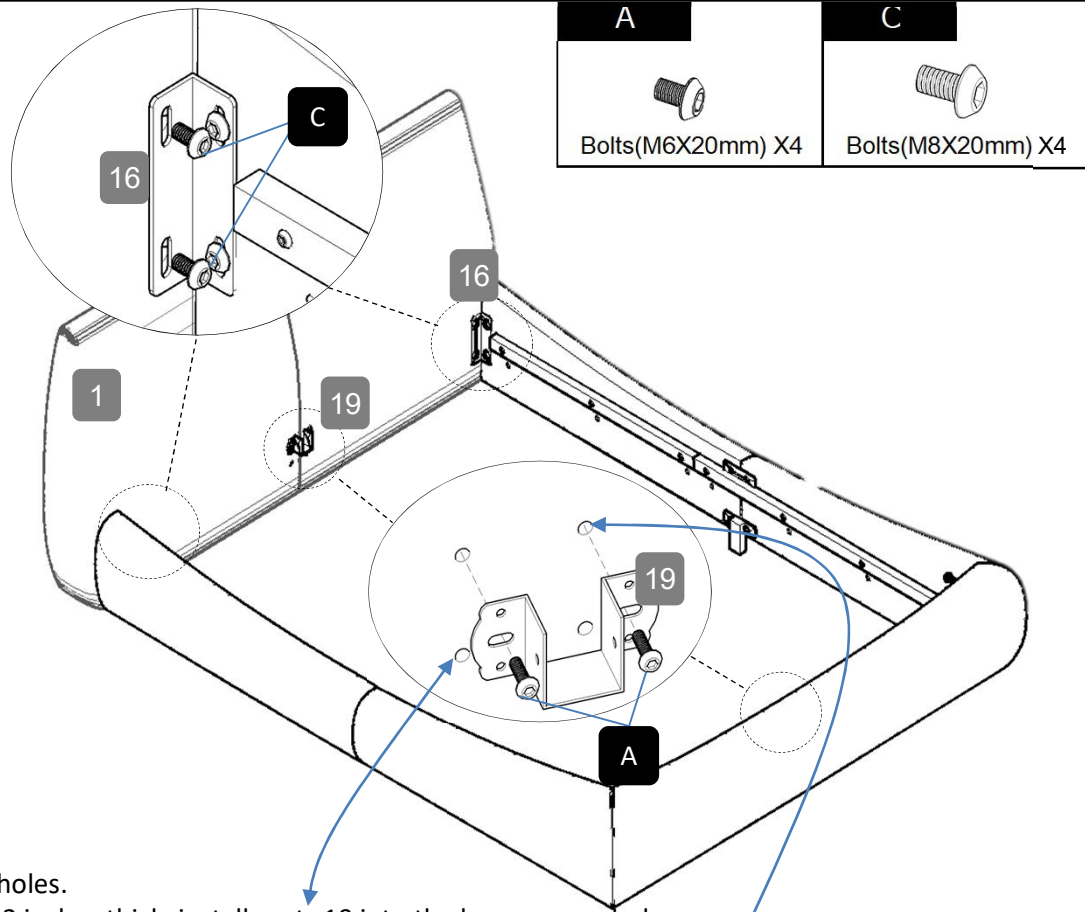


# Step6

<b>C</b>  Bolts(M8X20mm) X16	<b>E</b>  Nut(M8) X2
---	---



# Step7



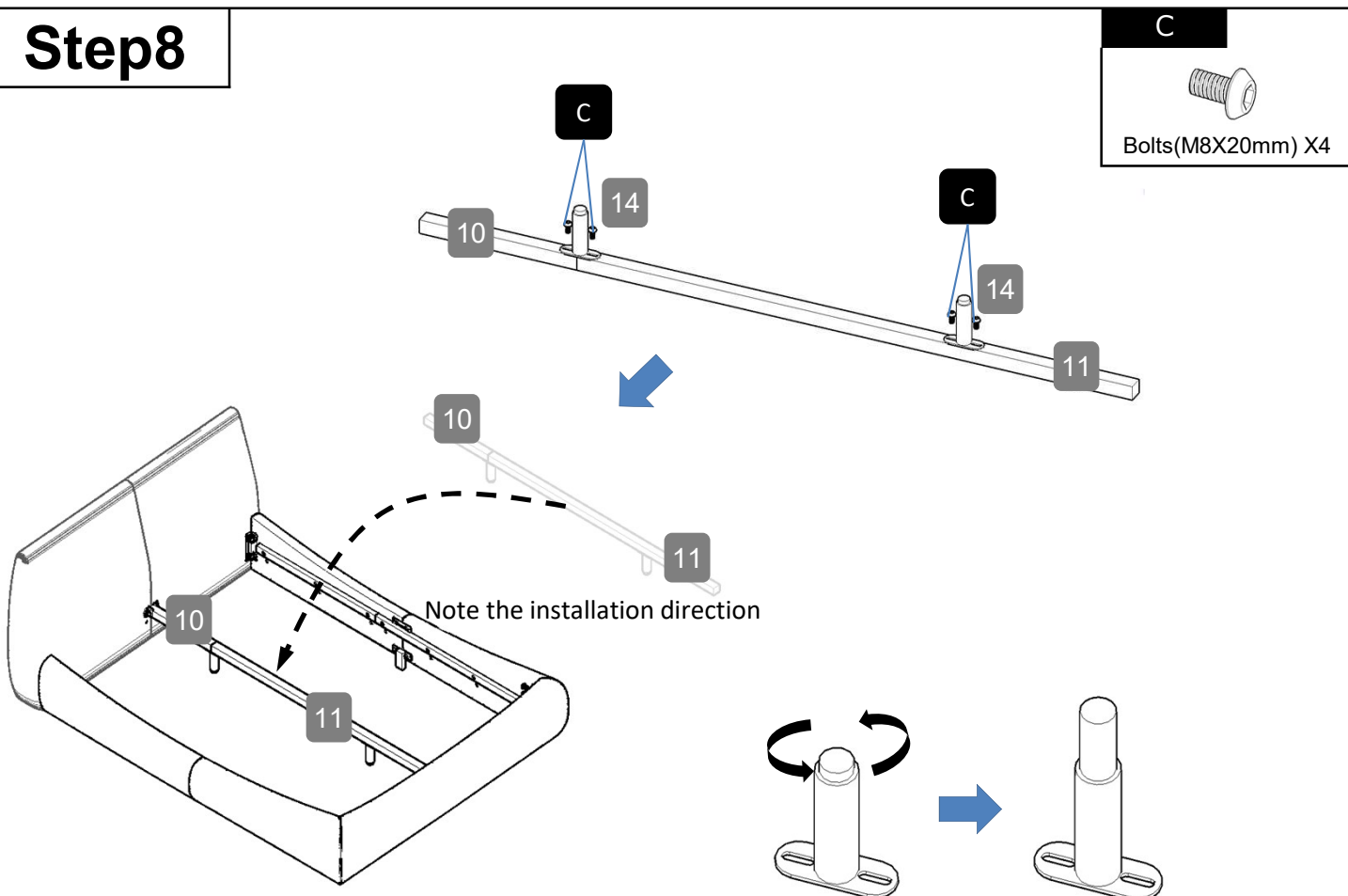
## NOTE:

There are two rows of screw holes.

If the mattress is more than 12 inches thick, install parts 19 into the lower screw holes.

If the mattress is less than 12 inches thick, install parts 19 into the screw holes on the upper level

# Step8

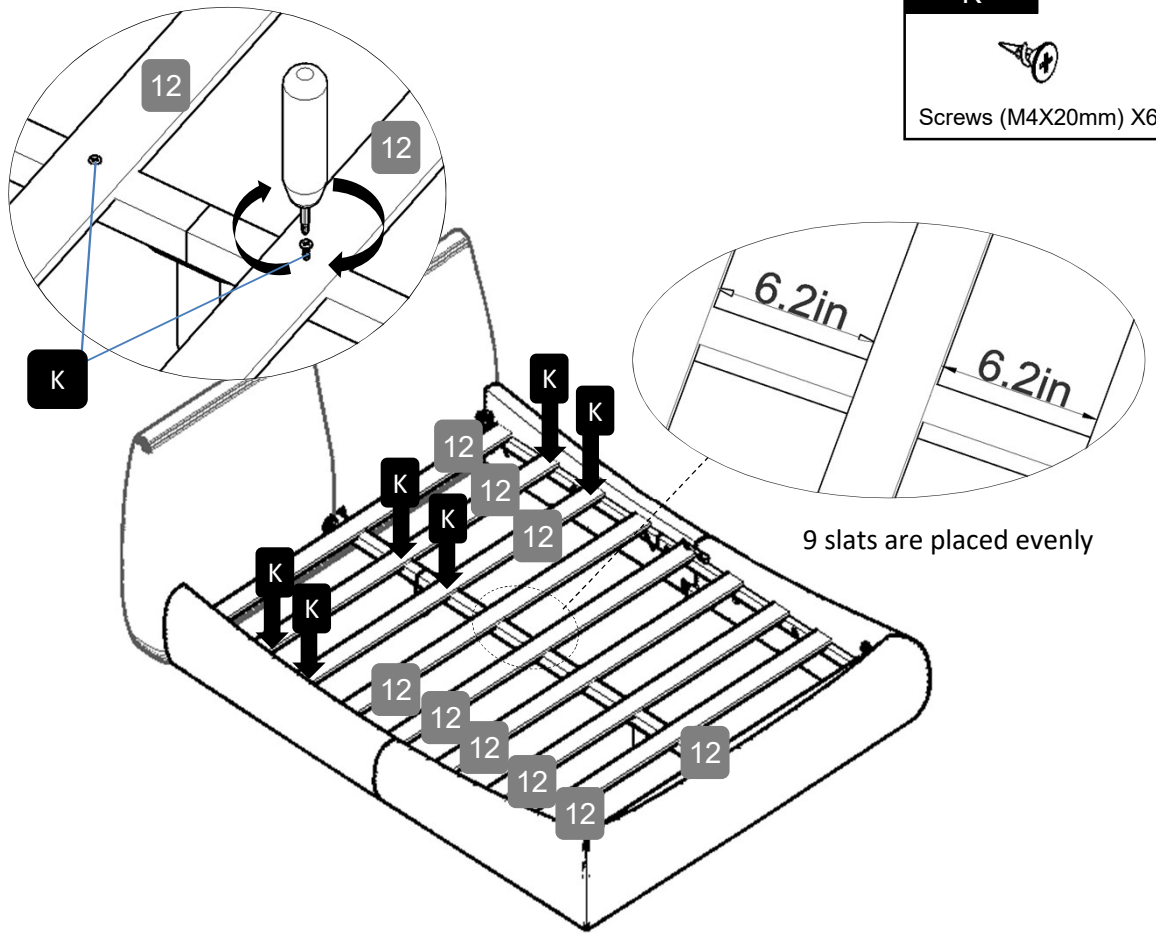


# Step9

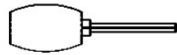
K



Screws (M4X20mm) X6

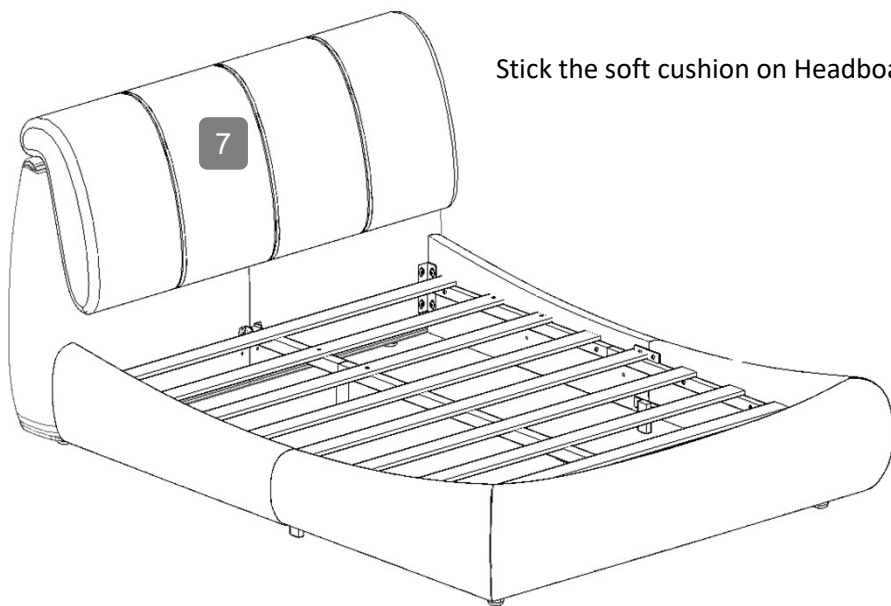


9 slats are placed evenly



Assembly Tools Required(Not Included)

# Step10



Stick the soft cushion on Headboard