

WESTBRASS

Fine Decorative Plumbing Since 1935



05
21

WESTBRASS
Fine Decorative Plumbing Since 1935



FINISH AND PRICING GROUP CHART

Standard Finishes

Price Group I



26
Polished
Chrome

Price Group II



01
Polished
Brass



03
Polished
Brass



05
Polished
Nickel



07
Satin Nickel



11
Antique
Copper



12
Oil Rubbed
Bronze



20
Stainless
Steel



50
Powder Coat
White



62
Matte Black

These sample colors portray our finish color and texture only within the limitations of printing and photography. Further color variations from differences in base material, polishing and plating are also expected. We reserve the right to make changes and deletions in finishes and products without notice.

TABLE OF CONTENTS

Terms & Conditions iv
 Care & Maintenance and Warranty v

KITCHENS



Kitchen Faucets 1-4
 Hot Water Dispensers 5-9
 Pure Water Taps & Accessories 10
 Disposal Cover Flanges 11
 Sink Strainers and Kits. 12-15
 Air Gaps 16
 Disposal Air Switches 17-19
 Soap/Lotion Dispensers 20

BATHROOMS



Stops & Supplies 22-24
 Water Closet Supply Kits 24-26
 Angle Stop Kits 27-30
 Pedestal Kits 31-33
 P-Traps 33-34
 Construction Accessories 35-36
 Gas Lines & Valves 37
 Tubular Drain Products 38
 Lavatory Drains 39-41
 Toilet Index Trip Levers 41

SHOWERS



Remodel Plates 42
 Shower Arms 43-44
 Ceiling Arms 45
 Adjustable Spray Shower Heads 45
 Bathroom Faucets 46
 High Flow Bath Tub Fillers 47
 Solid Surface Bath Tubs 48-49
 Acrylic Shower Pans 50-51
 Hand Shower Accessories 52
 Tub Spouts 53-54
 Shower Drain and Trims 55-57

Bath Tub Waste & Overflows



Ball Joint Linear Fact Sheet 58-59
 Linear Overflow & Fully Finished 60
 Linear Overflow Low Profile Sch 40 61-62
 Patented Deep Soak Overflow 63-66
 Ball Joint Overflow Fully Finished 67
 Illusionary Brass Tip-Toe with Ball Joint 68
 Semi-Exposed Bathwaste & Overflows 69
 Illusionary Brass Bath Waste & Overflow 70
 Illusionary Sch. 40 Overflows 71
 Illusionary All Exposed Overflows 72
 Solder-in Waste & Overflows 72A-72B
 Specialty Bath Waste & Overflows 73
 Brass Bath Waste & Overflow. 74-81
 Poly-Tubular Bath Waste & Overflow 82-83
 ABS & PVC Sch. 40 Bath Wastes 84-85
 Waste & Overflow Trim Kits 86-90
 Patented Deep Soak Kits 91
 Illusionary Plumber's Pack Sch. 40 92
 Sch. 40 Plumber's Pack 93
 Bath Waste Accessories 94
 Island Tub Drains and Waste 95
 ABS & PVC Sch. 40 Cable Wastes 96-98

TERMS AND CONDITIONS

Pricing

Prices indicated are Manufacturer Suggested Retail Prices.

Due to increasing costs of brass, raw and finishing materials, prices and specifications are subject to change without notice. Westbrass notifies all customers of pricing errors upon purchase order entry. Any pricing disputes must be settled before the product has shipped. All prices are indicated in United States currency and will be invoiced at prices prevailing at the time of order. Price Lists are available by contacting Westbrass.

Terms

Net 30 days. A service charge of 1.5% per month (18% APR) will be charged on all invoices outstanding over 30 days.

Freight

All orders will be shipped prepaid and billed except for COD customers; unless the customer wishes to use third party billing. Shipments are F.O.B. Los Angeles, CA. Full freight is allowed on shipments of \$1200.00 net invoice value, within the continental USA. Full freight is allowed on shipments of \$1,500.000 net invoice value to Hawaii and Alaska. Freight is not allowed on shipments of displays. Shipper reserves the right to ship by method of our choosing.

Minimum Order

Our minimum order is \$50.00 net per order. Charges will be added to orders of less than \$50.00 to bring the order to the minimum billing of not more than \$10.

Liability

Our liability on any claim, including claims of defective design, workmanship or materials is limited to replacement by shipment of items from our plant, refund or a combination thereof as we determine. Buyer agrees irrevocably to the jurisdiction of the California Courts over its person in the event of litigation. Service of process may be made as provided by California Law or shall be considered effective if sent by certified or registered mail, return receipt requested, postage prepaid.

Claims

Please check your order immediately upon receipt. All claims for shortages, overages, incorrect product, billing errors, etc., must be made within **5 business days of receipt of goods.**

Returns

Goods cannot be returned without prior authorization and must have a Returned Materials Authorization Number (RMA #) attached with the product. Items sent back to Westbrass without prior authorization will be rejected and returned at the customer's cost. Returns for non-defective merchandise are subject to a minimum 25% restocking fee. Returns Materials Authorization (RMA) must be requested in writing by fax, email or mail within **30 days of delivery.** All refunds are subject to inspection of the returned merchandise. Credit will not be issued, under any circumstances, until after the item has been received and inspected. Non-defective returns must be received in saleable condition. No returns on special or custom orders. All returns must be made freight prepaid by sender and the sender must assume all responsibility for shipping. Westbrass reserves the right to limit and/or refuse any returns at their discretion.

Damaged or Lost Shipments

Items damaged in transit must be rejected upon delivery and immediately returned to Westbrass in its original box. Westbrass will be responsible for filing claims with the carrier. Damaged or lost shipments must be reported within 72 hours of receipt to the shipper of the product in question.

With the exception of living finishes, all Westbrass decorative finishes are protected by the strongest finish treatments available while maintaining their luxurious appearance. While some finishes are more durable than others, no finish is indestructible. Polished Chrome, Satin Nickel and PVD Polished Brass finishes are the most durable. All other finishes are electroplated; some are then coated to enhance the gloss and durability. "Living" finishes are uncoated, designed to be exposed to the air and other elements, with the intention to age and change in their natural beauty. All of our finishes, plated and living, require some care in use.

TO CLEAN:

Do not allow your product to come into contact with any cleansers fortified with ammonia, bleach, grease - cutters or other surfactant chemicals. Soft Scrub®, Dawn Liquid Soap®, Palmolive® or any other combined cleaners contain certain chemical components that will dissolve and remove the finish's protective coating, and eventually the finish itself. Use only plain warm water and mild soap on a soft cloth or sponge. Avoid using any sponge with a scouring pad to clean your product. It is not necessary to rub hard to remove spots.

TO PROTECT:

An occasional application of Carnauba wax (without cleaners), like that found in Flitz Faucet Wax®, Turtle Wax for Clear Coat Car Finishes® or McGuire's Premium Wax®, will enhance the finish lustre, reduce hard water spots and add an extra layer of protection to your finish.

WARRANTY

Drain and Strainer Finishes:

All sink and tub/shower drains, strainers and other trims have a **1 year warranty**:

(01) PVD Polished Brass	(07) Satin Nickel	(26) Polished Chrome
(03) Polished Brass	(12) Oil Rubbed Bronze	(50) Powder Coat White
(05) Polished Nickel	(20) Stainless Steel	(62) Powder Coat Flat Black
(11) Antique Copper		

Functional Warranty:

The functionality of all products is warranted for a period of **one year**. All warranties are guaranteed to the original purchaser only. Product problems attributable to abuse, misuse, improper installation, hard water, neglected maintenance or accidental damage are not covered by this warranty. Modifying the product in any way voids the warranty. The use of plumber's putty on our products also voids the warranty. Silicone sealing compounds should be used instead. No repairs

or replacements will be made under such circumstances except at customer's expense. Liability under warranties expressed or implied is limited to repair or replacement of defective goods only. In no event will Westbrass be liable for incidental or consequential damages (such as labor charges).


This warranty does not cover labor charges, whether based on breach of express or implied warranty, breach of contract, negligence or any other legal theory.

KITCHEN PRODUCTS

Kitchen Faucet with Filtration
KH41AKC-62 in Matte Black

HOTMASTER™
by WESTBRASS

Boiling Water
Function



4IN1 DigiHot Kitchen Appliance
with DT18 Digital Hot Water Tank
and D400 Hot and Pure Water Filters

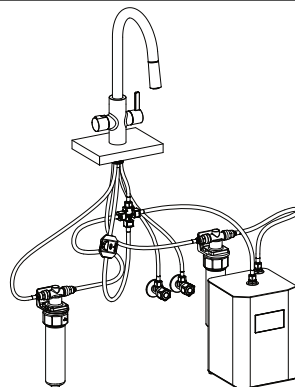
4IN1 KITCHEN FAUCET

POLISHED BRASS (01 OR 03), POLISHED NICKEL (05), SATIN NICKEL (07), ANTIQUE COPPER (11), OIL RUBBED BRONZE (12), STAINLESS STEEL (20), POLISHED CHROME(26), WHITE (50), FLAT BLACK (62)

4IN1 DigiHOT Kitchen Appliance Kit

KH41AK-

- Pull-down adjustable spray hand shower PCH -26 **1350.00**
- Zero clearance rotary valve mixer handle SST -20 **1400.00**
- Rotate left handle backwards for pure water ORB -12 **1400.00**
- Pull button, rotate forward for instant hot MBK -62 **1400.00**
- Exceeds AB1953/NSF lead regulations
- Requires 3/8" comp. water supply connections
- Includes 2 ea. F400 filters
- Includes **HOTMASTER DigiHOT** tank unit
- UL registered CSA-C22.2



4IN1 DigiHOT Kitchen Appliance Accessory Kit

KH41AKC-

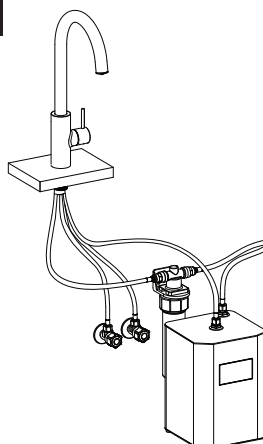
- Pull-down adjustable appliance (KH41AK-**) PCH -26 **1585.00**
- DigiHOT digital tank (DT18) SST -20 **1710.00**
- 2 ea. Carbon Block Filters (F400) ORB -12 **1710.00**
- Includes dishwasher air gap (D200-1-**) MBK -62 **1710.00**
- Includes disposal air switch (ASB-2B3-**) **1710.00**
- Includes soap/lotion dispenser (D217-**) **1710.00**



3IN1 DigiHOT Single Handle Kitchen Appliance

KH31BK-

- Single handle kitchen faucet adjustable volume and temperature PCH -26 **999.00**
- Spout swivels 360 degrees SST -20 **1075.00**
- Trouble-free patented installation scheme ORB -12 **1075.00**
- Dual waterway design isolates pure hot water from dish water MBK -62 **1075.00**
- Press safety button to rotate handle to make Instant Hot water
- Includes DigiHOT DT18 digital tank unit
- Includes F400 water filter
- Requires 3/8 in. compression valves



3IN1 DigiHOT Appliance with Accessories

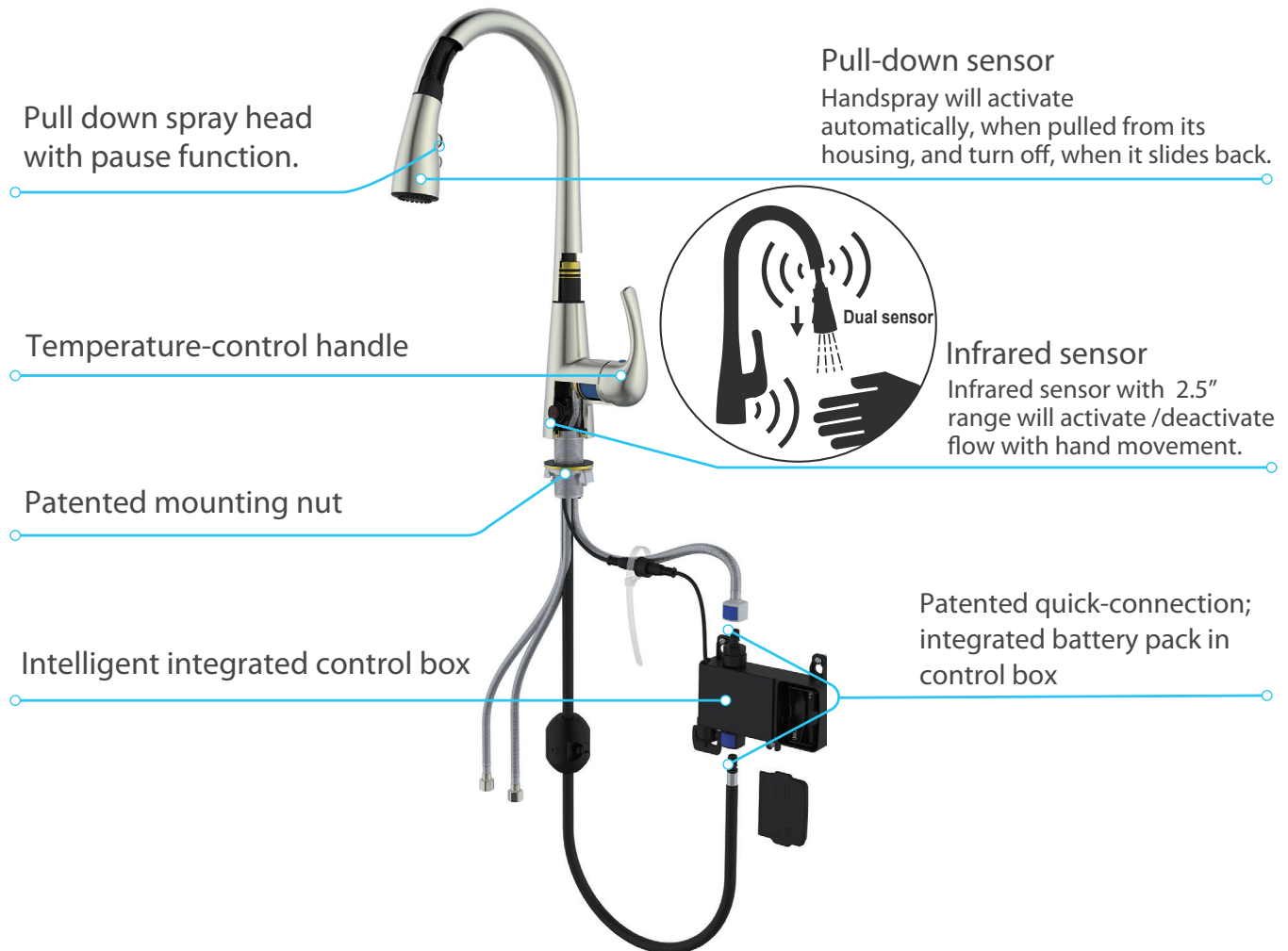
KH31BKC-

- 3in1 single handle appliance (KH31BK-**) PCH -26 **1235.00**
- DigiHOT digital tank (DT18) SST -20 **1385.00**
- Carbon Block Filter (F400) ORB -12 **1385.00**
- Includes dishwasher air gap (D200-1-**) MBK -62 **1385.00**
- Includes disposal air switch (ASB-2B3-**) **1385.00**
- Includes soap/lotion dispenser (D217-**) **1385.00**



DUAL FUNCTION AUTOMATIC KITCHEN FAUCET

POLISHED BRASS (01 OR 03), POLISHED NICKEL (05), SATIN NICKEL (07), ANTIQUE COPPER (11), OIL RUBBED BRONZE (12), STAINLESS STEEL (20), POLISHED CHROME(26), WHITE (50), FLAT BLACK (62)





Pull-down sensor
The water turns on when the handle is pulled down. The spray head turns the water off when it slides back.

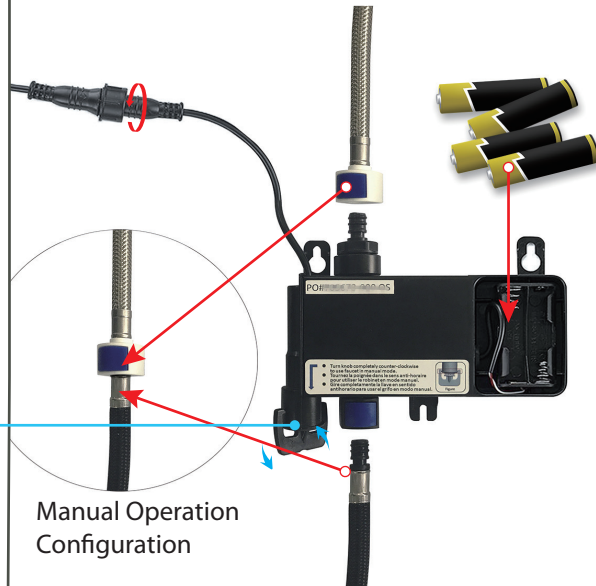


Infrared sensor
Infrared sensor with 2.5" range will turn water on and off any with hand movement.



Handle Control
Handle controls water temperature and flow rate. It is the master control for both sensor and manual operation.

Intelligent-Integrated Control Box
The battery system and the magnetic valve system is integrated in a small waterproof box, protected by a filter screen to prevent fouling, with patented click connection for easy installation and conversion for manual operation.



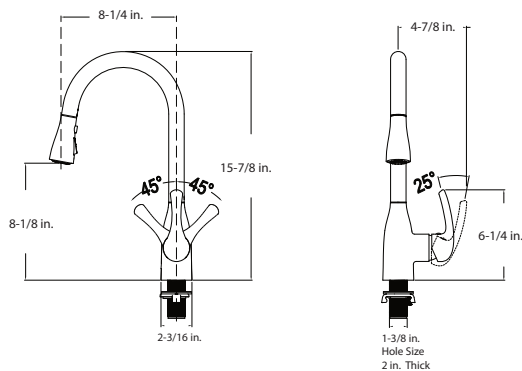
Manual Back-Up Operation
Turn the knob beneath the control box completely counter-clockwise. The sensor will be disabled and the faucet will be controlled by the handle only. This works when the batteries need replacing.
The control box can be taken off for mending without removing the faucet. Remove the electrical connection from the faucet. Connect the two lines on either end of the control box using the quick connect. Trouble-free installation and repair.

Dual Sensor Automatic Touch Kitchen Faucet

KA03A-

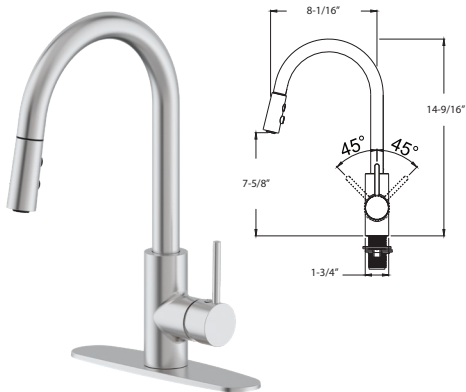
- Pull spray to turn faucet on
- Wave hand in front of the faucet to start wave again to stop
- ADA compliant handle
- Allows manual or automatic operation
- Requires 3/8 in. compression valves
- Exceeds AB 1953 lead regulations
- Requires 4-AA Batteries for operation (Not Included)

PCH -26	479.00
SST -20	529.00
ORB -12	529.00
MBK -62	529.00



PULL-DOWN SPRAY KITCHEN FAUCET

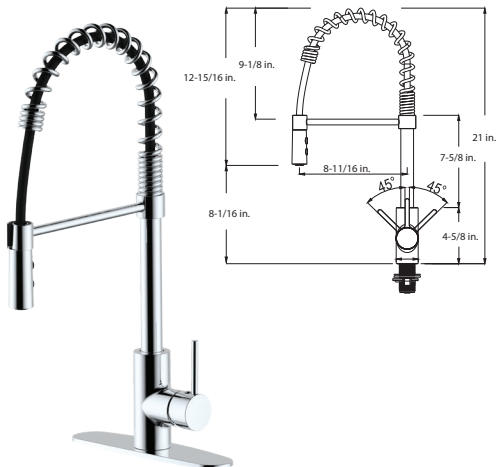
POLISHED BRASS (01 OR 03), POLISHED NICKEL (05), SATIN NICKEL (07), ANTIQUE COPPER (11), OIL RUBBED BRONZE (12), STAINLESS STEEL (20), POLISHED CHROME(26), WHITE (50), FLAT BLACK (62)



Pull-Down Spray Single Handle with Plate KD08B-

- Pull-down spray kitchen faucet
- Single handle ceramic disk valve
- Wand toggles between spray and stream
- 3/8 in. compression supply lines
- Quiet, fiber reinforced pull-down hose
- ADA compliant stylish handle
- Lead free non-metallic waterways
- Use for 1 or 3-hole installations
- Requires 1-3/8 in. sink hole

PCH -26	219.00
SST -20	249.00
ORB -12	249.00
MBK -62	249.00



Spring Spout Single Handle Spray with Plate KS18A-

- Single handle kitchen faucet
- Neoperl and AntiCalc adjustable spray
- Wand toggles between spray and stream
- 3/8 in. compression supply lines
- Quiet, fiber reinforced pull-down hose
- ADA compliant handles
- Ceramic disc cartridge
- Lead free nonmetallic waterways
- Use for 1 or 3-hole installations
- Requires 1-3/8 in. sink hole

PCH -26	269.00
SST -20	299.00
ORB -12	299.00
MBK -62	299.00

INSTANT HOT WATER DISPENSER KITS

POLISHED BRASS (01 OR 03), POLISHED NICKEL (05), SATIN NICKEL (07), ANTIQUE COPPER (11), OIL RUBBED BRONZE (12), STAINLESS STEEL (20), POLISHED CHROME(26), WHITE (50), FLAT BLACK (62)

Calorah Hot Water Dispenser Kit



D261HFP-		
• Single handle hot water dispenser & tank	26	932.60
• With ShokBlok valve		
• Traditional styling	07, 12	986.74
• Auto-off handle function		
• Santoprene hot water tube		
• 1/4 in. copper supply lines		
• 5/8 gallon tank with 60 cups/hour delivery		
DT1F261-	26	1057.00
• Add F400 filter and DT18N digital tank	07, 12	1112.00

Docalorah Hot/Cold Water Dispenser Kit



D262HFP-		
• Two handle hot/cold water dispenser & tank	26	1031.41
• With ShokBlok valve		
• Traditional styling	07, 12	1065.24
• Auto-off hot and locking cold handles		
• Santoprene hot water tube		
• 1/4 in. copper supply lines		
• 5/8 gallon tank with 60 cups/hour delivery		
DT1F262-	26	1156.00
• Add F400 filter and DT18N digital tank	07, 12	1190.00

Velosah Hot Water Dispenser Kit



D271HFP-		
• Single handle hot water dispenser & tank	26	929.89
• With ShokBlok valve		
• Contemporary styling	07, 12, 62	986.74
• Auto-off handle function		
• Santoprene hot water tube		
• 1/4" copper supply lines		
• 5/8 gallon tank with 60 cups/hour delivery		
DT1F271-	26	1054.00
• Add F400 filter and DT18N digital tank	07, 12, 62	1111.00

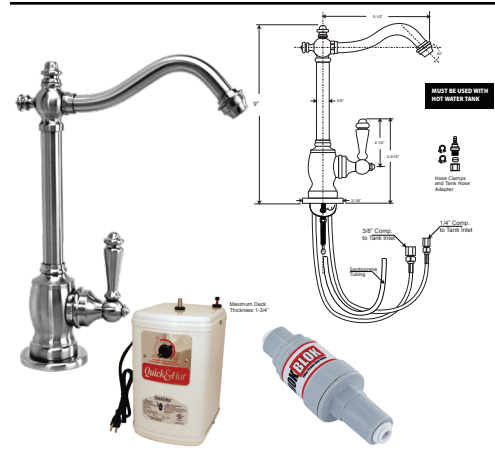
Develosah Hot/Cold Water Dispenser Kit



D272HFP-		
• Two handle hot/cold water dispenser & tank	26	1031.41
• With ShokBlok valve		
• Contemporary styling	07, 12, 62	1065.24
• Auto-off hot and locking cold handles		
• Santoprene hot water tube		
• 1/4" copper supply lines		
• 5/8 gallon tank with 60 cups/hour delivery		
DT1F272-	26	1156.00
• Add F400 filter and DT18N digital tank	07, 12, 62	1190.00

INSTANT HOT WATER DISPENSER KITS

POLISHED BRASS (01 OR 03), POLISHED NICKEL (05), SATIN NICKEL (07), ANTIQUE COPPER (11), OIL RUBBED BRONZE (12), STAINLESS STEEL (20), POLISHED CHROME(26), WHITE (50), FLAT BLACK (62)



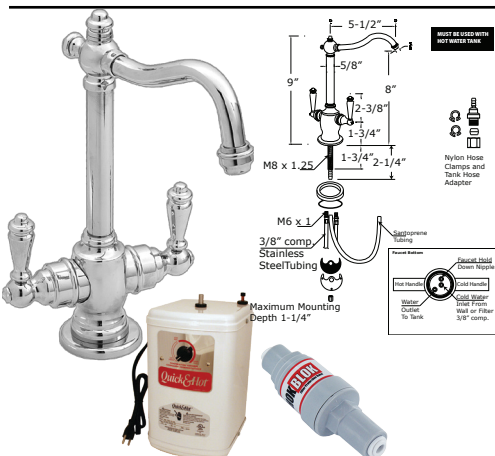
Victorian Hot Water Dispenser Kit

D204HFP-

- 5-1/2" spout projection, 9-1/4" overall height 26 **967.79**
- With Shock Block valve
- Dual lever handle, hot & cold water faucet 05, 07, 12, **1080.13**
- 1-3/8" hole size 20, 62
- 1/4-turn ceramic disc cartridges
- Includes QHT-1 hot water tank
- Solid brass faucet with stainless steel tank

DT1F204-

- Add F400 filter and DT18N digital tank 26 **1092.00**
- Add F400 filter and DT18N digital tank 05, 07, 12, **1205.00**
- 62



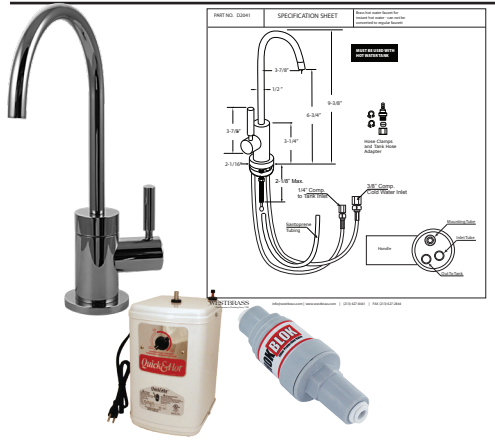
Victorian Hot/Cold Water Dispenser Kit

D205HFP-

- 5-1/2" spout projection, 9-1/4" overall height 26 **1038.17**
- With Shock Block valve
- Single lever handle, hot water faucet 05, 07, 12, **1130.21**
- 1-3/8" hole size 20, 62
- 1/4-turn ceramic disc cartridge
- Includes QHT-1 hot water tank
- Solid brass faucet with stainless steel tank

DT1F205-

- Add F400 filter and DT18N digital tank 26 **1163.00**
- Add F400 filter and DT18N digital tank 05, 07, 12 **1330.00**



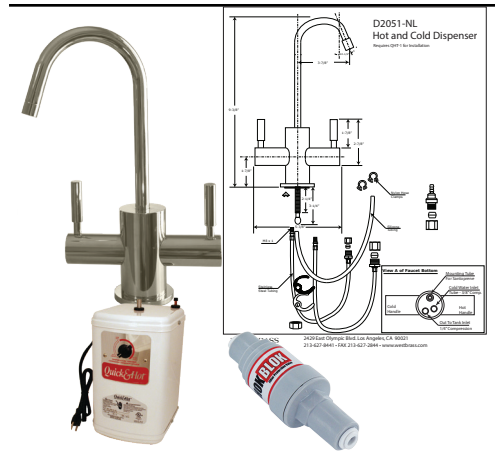
Contemporary Hot Water Dispenser Kit

D2041HFP-

- 5" spout projection, 10-3/4" overall height 26 **967.79**
- With Shock Block valve
- Single lever handle 05, 07, 12, **1080.13**
- 1-3/8" hole size 20, 62
- 1/4-turn ceramic disc cartridge
- Includes QHT-1 hot water tank
- Solid brass faucet with stainless steel tank

DT1F2041-

- Add F400 filter and DT18N digital tank 26 **1092.00**
- Add F400 filter and DT18N digital tank 05, 07, 12, **1205.00**
- 62



Contemporary Hot/Cold Water Dispenser Kit

D2051HFP-

- 3-1/4" spout projection, 10-5/8" overall height 26 **1038.17**
- With Shock Block valve
- Dual lever handles 05, 07, 12, **1130.21**
- 1-3/8" hole size 20, 62
- 1/4-turn ceramic disc cartridges
- Includes QHT-1 hot water tank
- IWC-1 chiller is optional
- Solid brass faucet with stainless steel tank

DT1F2051-

- Add F400 filter and DT18N digital tank 26 **1163.00**
- Add F400 filter and DT18N digital tank 05, 07, 12, **1255.00**
- 62

INSTANT HOT WATER DISPENSER KITS

POLISHED BRASS (01 OR 03), POLISHED NICKEL (05), SATIN NICKEL (07), ANTIQUE COPPER (11), OIL RUBBED BRONZE (12), STAINLESS STEEL (20), POLISHED CHROME(26), WHITE (50), FLAT BLACK (62)

Contemporary Hot/Cold Water Faucet Kit

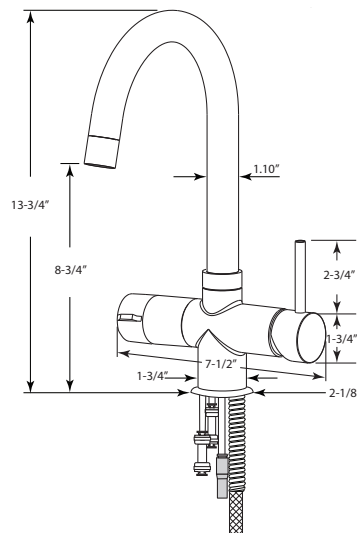
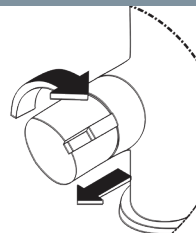
D282HFP-26

- 3-1/4 in. spout projection, 10-5/8 in. overall height
- ADA approved lever handle controls hot and cold, dish water
- Fits in 1-3/8 in. hole size
- Lever operated instant hot switch, prevents tender hands from inadvertent scalding
- Includes QHT-1 hot water tank with ShokBlok valve
- Swivel spout for easy access to pots and pans
- Solid brass faucet with stainless steel tank
- F400 filter included for purified hot water

-26 **1081.49**
Chrome Only



HOT WATER HANDLE OPERATION

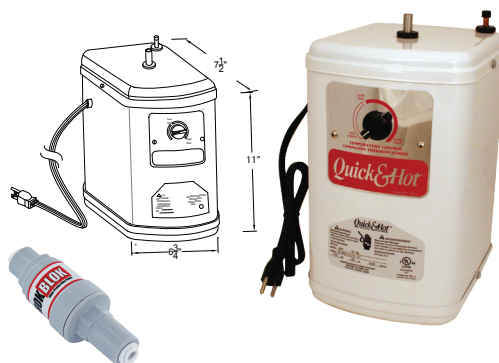


Quick Heating Tank - Enamelled - Shock Block

QHT-1FPV

- Quick & Hot instant hot water tank
- With Shock Block valve
- 5/8 gallon stainless steel tank
- 1300 Watts - delivers up to 100 cups per hour
- Plugs into standard (115V) wall outlet
- 140° - 190° fingertip temperature adjustable
- Required for all hot or hot/cold water dispensers

518.41

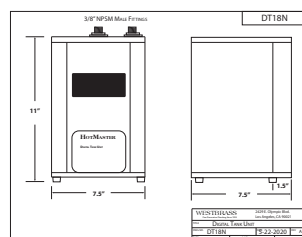


HOTMASTER DigiHOT Digital Tank Unit

DT18

- Instant hot water tank
- With ShokBlok valve
- 5/8 gallon stainless steel tank
- 1500 Watts - delivers up to 100 cups per hour
- Plugs into standard (115V) wall outlet
- 167° - 208° temperature adjustable
- Required for hot or hot/cold water dispensers

535.00



DigiHot Instant Hot Water Appliance



MASTER YOUR CULINARY TALENTS

- Melt chocolate
- Blanch vegetables
- Cook al dente pasta
- Prepare frozen vegetables
- Brew perfect tea
- Make instant rice
- Create luscious couscous
- Re-hydrate dried fruits
- Wash baby bottles
- Make instant gravy
- Wash pots and pans
- Remove candle wax
- Shorten cooking time



208° Cooking



206° Soup



203° Coffee

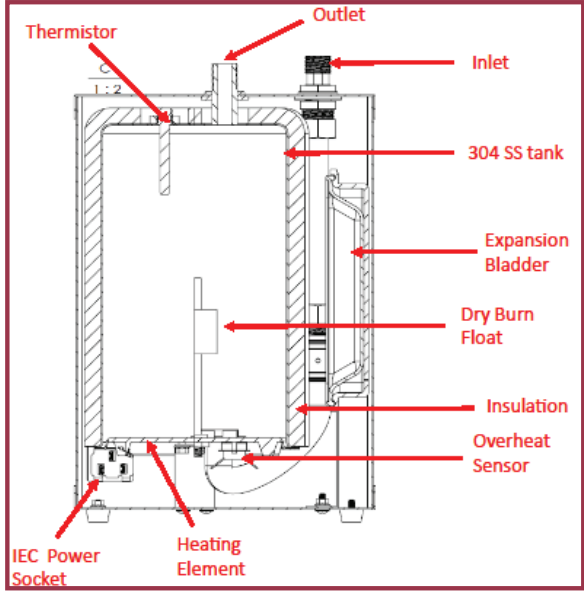


194° Tea

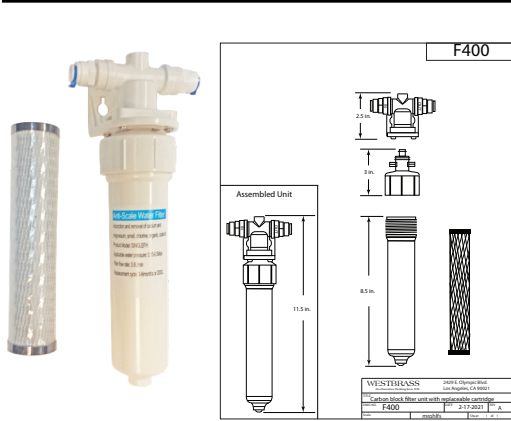


176° Chocolate

167° Cleaning



POLISHED BRASS (01 OR 03), POLISHED NICKEL (05), SATIN NICKEL (07), ANTIQUE COPPER (11), OIL RUBBED BRONZE (12), STAINLESS STEEL (20), POLISHED CHROME(26), WHITE (50), FLAT BLACK (62)

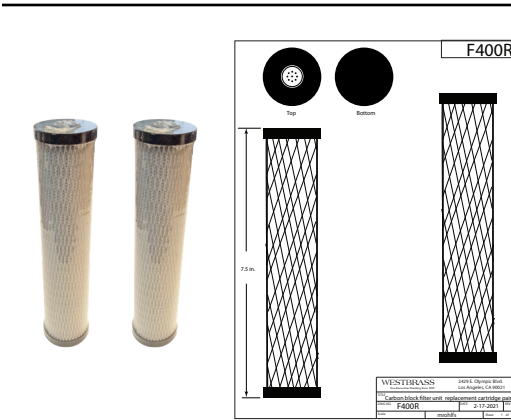


Carbon Block Filter

F400

- Filter housing and mounting bracket
- With carbon block antibacterial filter medium
- Economical element replacement
- Save Landfill- only replace cartridge without disposing of the plastic housing
- Anti-scale filter treatment
- Quick connect cartridge housing removal
- Filter lasts 6 months or 2000L of water

136.00



Replacement Carbon Block Filter Cartridges

F400R

- Replacement filter element for F400
- Pair of replacement filter cartridges for 1 year's worth of filtration or 4000L of water

119.00

ShokBlok Faucet and Filter Protection

FPV-40-38



- Regulates water to 40 psi water
- Creates water hammer protection
- Designed for filters, ice makers, coffee and espresso machines and instant hot appliances
- Extends life of appliance by reducing water hammer
- Acetyl body with 3/8 in. insert fittings

20.00

ShokBlok Faucet and Filter Protection

FPV-40

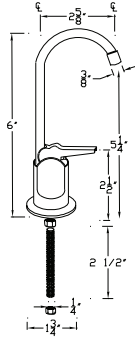


- Regulates water to 40 psi water
- Creates water hammer protection
- Designed for filters, ice makers, coffee and espresso machines and instant hot appliances
- Extends life of appliance by reducing water hammer
- Acetyl body with 1/4 in. insert fittings

20.00

PURE WATER TAPS

POLISHED BRASS (01 OR 03), POLISHED NICKEL (05), SATIN NICKEL (07), ANTIQUE COPPER (11), OIL RUBBED BRONZE (12), STAINLESS STEEL (20), POLISHED CHROME(26), WHITE (50), FLAT BLACK (62)

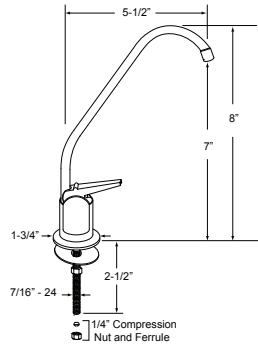


6" Touch-Flo Pure Water Dispenser

D203-NL-

- Touch-Flo style pure water faucet
- 2-5/8" spout projection
- 6-1/2" overall height
- 1/4" compression tube inlet
- Single black plastic handle
- Spring piston handle assembly
- Cannot be installed with hot water tank
- Brass construction

26		
01, 05, 07,		93.39
11, 12, 20,		134.00
50, 62		

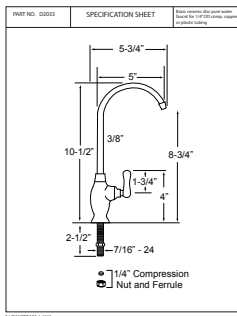


45° Touch-Flo Pure Water Dispenser

D2031-NL-

- Touch-Flo style pure water faucet
- 5-1/2" 45-degree extended spout projection
- 8" overall height
- 1/4" compression tube inlet
- Spring piston handle assembly
- Cannot be installed with hot water tank
- Brass construction

26		97.46
01, 05, 07,		147.54
11, 12, 50,		
62		

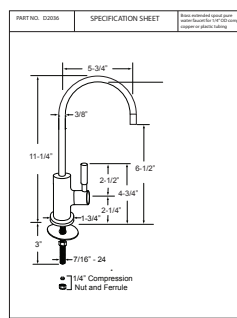


Classic Lever Handle Cold Water Dispenser

D2033-NL-

- Ceramic disc pure water faucet
- 10" classic lever handle design
- 1/4" compression tube inlet
- 1/4-turn ceramic disc cartridge
- Cannot be installed with hot water tank
- Brass construction

26		201.68
01, 05, 07,		269.36
11, 12, 50,		
62		



Contemporary Cold Water Dispenser

D2036-NL-

- 5 in. spout projection, 11-1/4 in. height
- Single lever handle, cold water faucet
- 1/4" compression tube inlet
- 1/4-turn ceramic disc cartridge
- Cannot be installed with hot water tank
- Brass construction

26		201.68
01, 05, 07,		269.36
11, 12, 20,		
62		



Contemporary Cold Water Extension

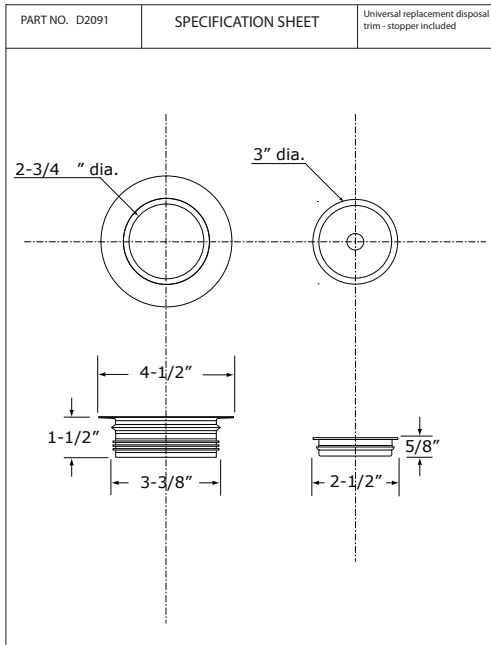
D203-ADAPT

- 3 in. spout extension for thicker counter tops
- 1/4" compression tube inlet
- Fits D203, D2031, D2033 and D2036

26		25.00
----	--	--------------

DISPOSAL REPLACEMENT COVERS

POLISHED BRASS (01 OR 03), POLISHED NICKEL (05), SATIN NICKEL (07), ANTIQUE COPPER (11), OIL RUBBED BRONZE (12), STAINLESS STEEL (20), POLISHED CHROME(26), WHITE (50), FLAT BLACK (62)



WESTBRASS
First International Plumbing Since 1922
info@westbrass.com | www.westbrass.com | (213) 627-8441 | FAX (213) 627-2844

Universal Replacement Disposal Trim

D2091-

- Replacement Styrene disposal flange
- Stopper included
- Pushes into existing disposal flange without removing the disposal
- Available in -03 Polished Brass, -07 Satin Nickel, -26 Polished Chrome, -50 White, -54 Black

26	All Finishes
03, 07, 26, 50, 54	40.61

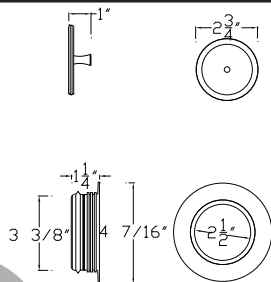


Decorative Brass Disposal Trim

D212- Limited Inventory

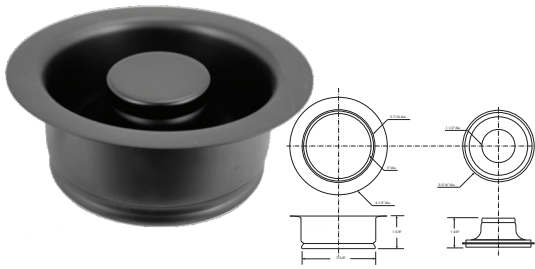
- Universal replacement disposal flange
- Stopper included
- Pushes into existing disposal flange
- Seals to ring using o-rings
- No plumbing required
- 4-7/16" rim diameter
- Super heavy duty cast brass

26	134.00
01, 07, 12A	162.43



GARBAGE DISPOSAL FLANGES AND STOPPERS

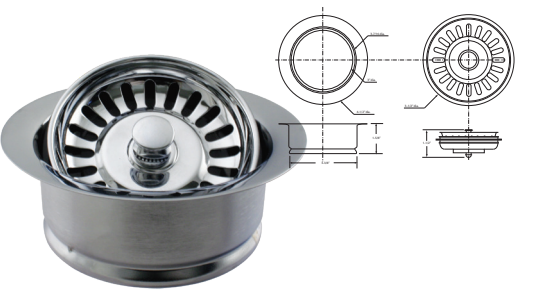
POLISHED BRASS (01 OR 03), POLISHED NICKEL (05), SATIN NICKEL (07), ANTIQUE COPPER (11), OIL RUBBED BRONZE (12), STAINLESS STEEL (20), POLISHED CHROME(26), WHITE (50), FLAT BLACK (62)



3-Bolt Mount Disposal Flange and Stopper

D2089-

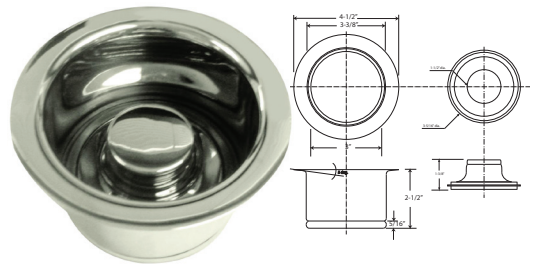
- ISE style disposal trim set 26 **60.91**
- Flange and stopper (D208 & D209) 01, 05, 07, **78.51**
- 1-5/8" deep flange 11, 12, 20,
- Fits most ISE, Emerson, Kenmore, Joneca and 50, 62
- Grainger waste disposals
- Brass construction



3-Bolt Mount Disposal Flange and Strainer

D2089SEV-

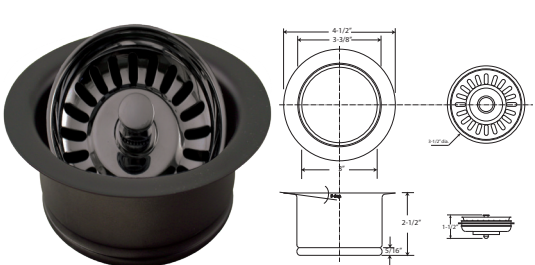
- ISE style disposal trim set 26 **92.04**
- Flange and strainer (D208 & D209S) 05, 07, 12, **140.77**
- 1-5/8" deep flange 62
- Fits most ISE, Emerson, Kenmore, Joneca and
- Grainger waste disposals
- Push/pull removable stopper strainer



Extra Deep ISE Disposal Flange and Stopper

D2082-

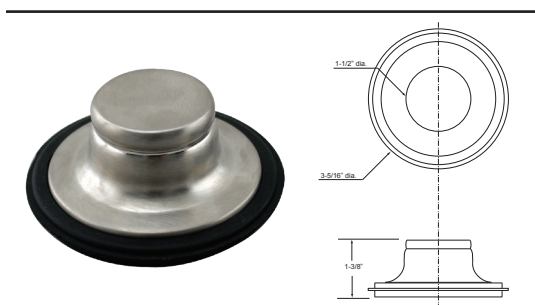
- ISE style extra deep disposal trim set 26 **73.09**
- Flange and stopper (D2081 & D209) 01, 05, 07, **87.98**
- 2-5/8" deep flange 12, 20, 50,
- Fits most ISE, Emerson, Kenmore, Joneca and 62
- Grainger waste disposals
- Brass construction



Extra Deep ISE Disposal Flange and Strainer

D2082S-

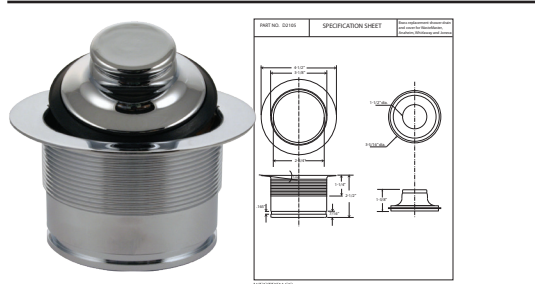
- ISE style extra deep disposal trim set 26 **106.93**
- Flange and strainer (D2081 & D209S) 05, 07, **163.78**
- 2-5/8" deep flange 12, 62
- Fits most ISE, Emerson, Kenmore Joneca &
- Grainger
- Removable Stopper for easy cleaning



Disposal Stopper for 3-Bolt Mount Flanges

D209-

- ISE style disposal topper only 26 **24.36**
- Fits D208, D2081, D2082 and D2089 styles 01, 05, 07, **32.49**
- Fits most ISE, Emerson, Kenmore, Joneca and 11, 12, 20,
- Grainger waste disposals 50, 62
- Brass construction



EZ-Mount Disposal Flange and Stopper

D2105-

- Waste King style brass disposal trim set 26 **106.93**
- Flange and strainer (D2103 & D2104) 07, 11, 12, **163.78**
- Fits sinks up to 1 inch thick 20, 62
- Fits continuous feed units from Waste King, G.E., Eliminator, Frigidair, Tappan, Whirlaway Joneca Commodore, Titan, Waste Made, and Westinghouse disposals

DISPOSAL TRIM AND SINK STRAINERS

POLISHED BRASS (01 OR 03), POLISHED NICKEL (05), SATIN NICKEL (07), ANTIQUE COPPER (11), OIL RUBBED BRONZE (12), STAINLESS STEEL (20), POLISHED CHROME(26), WHITE (50), FLAT BLACK (62)



Two Pack D213 Basket Strainers

D2135-

- | | | |
|---|-------------|---------------|
| • Large wing nut style kitchen sink basket and strainer | 26 | 192.20 |
| • Brass nuts and washers included | 01, 05, 07, | 228.75 |
| • Fits 3-1/2" opening - 4-3/8" rim diameter | 11, 12, 20, | |
| • 2-9/16" tall | 50, 62 | |
| • Solid brass construction | | |
| • Turn wing nut to restrict draining | | |



Two Pack D214 Basket Strainers

D2145-

- | | | |
|---|-------------|---------------|
| • Large post style kitchen sink basket and strainer | 26 | 174.61 |
| • Brass nuts and washers included | 01, 05, 07, | 200.33 |
| • Fits 3-1/2" opening - 4-3/8" rim diameter | 11, 12, 20, | |
| • 2-9/16" tall | 50, 62 | |
| • Solid brass construction | | |
| • Turn post and push to restrict draining | | |



Two Pack D213 Basket and D2089 Disposer

D2155-

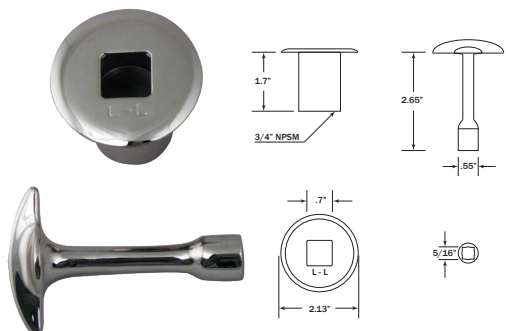
- | | | |
|---|-------------|---------------|
| • Large wing nut style kitchen sink basket | 26 | 151.60 |
| • Brass nuts and washers included | 01, 05, 07, | 181.38 |
| • Fits 3-1/2" opening - 4-3/8" rim diameter | 11, 12, 20, | |
| • Turn wing nut to restrict draining | 50, 62 | |
| • In-Sink-Erator style disposal trim set | | |
| • Fits most ISE, Emerson, Kenmore, and Grainger waste disposals | | |



Two Pack D214 Basket and D2089 Disposer

D2165-

- | | | |
|---|-------------|---------------|
| • Large wing nut style kitchen sink basket | 26 | 161.07 |
| • Brass nuts and washers included | 01, 05, 07, | 170.55 |
| • Fits 3-1/2" opening - 4-3/8" rim diameter | 11, 12, 20, | |
| • Turn post and push to restrict draining | 50, 62 | |
| • In-Sink-Erator style disposal trim set | | |
| • Fits most ISE, Emerson, Kenmore, and Grainger waste disposals | | |



Log Lighter Trim Kit

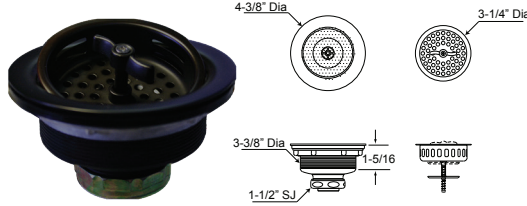
R500-

- | | | |
|------------------------------------|-------------|--------------|
| • Log lighter key and cover flange | 26 | 59.56 |
| • Arrowhead brass design | 03, 05, 07, | 81.21 |
| • 5/16 in. square key size | 12, 62 | |
| • 2-1/2 in. key length | | |
| • Fits 3/4 in. NPSM valve bodies | | |

KITCHEN AND BAR SINK STRAINERS

POLISHED BRASS (01 OR 03), POLISHED NICKEL (05), SATIN NICKEL (07), ANTIQUE COPPER (11), OIL RUBBED BRONZE (12), STAINLESS STEEL (20), POLISHED CHROME(26), WHITE (50), FLAT BLACK (62)

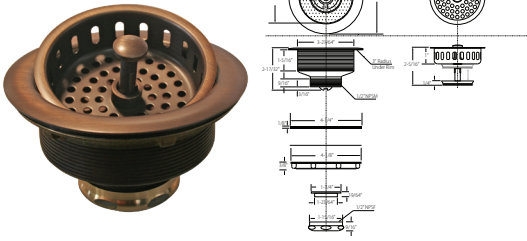
Wing Nut Basket Strainer



D213-

- Large wing nut style kitchen sink strainer 26 **105.58**
- Brass nuts and washers included 01, 05, 07, **120.47**
- Fits 3-1/2" opening - 4-3/8" rim diameter 11, 12, 20, 50, 62
- 2-9/16" tall
- Solid brass construction
- Turn wing nut to restrict draining

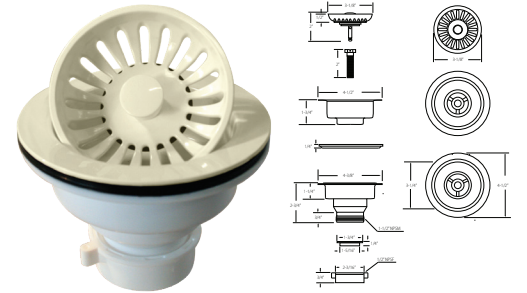
Post Basket Strainer



D214-

- Large post style kitchen sink basket 26 **94.75**
- Brass nuts and washers included 01, 05, 07, **110.99**
- Fits 3-1/2" opening - 4-3/8" rim diameter 11, 12, 20, 50, 62
- 2-9/16" tall
- Solid brass construction
- Turn post and push to restrict draining

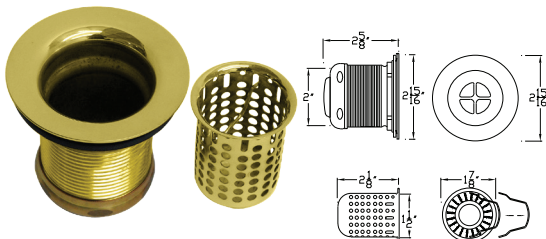
Plastic Basket Strainer



D2143P-

- Large polypropylene post style kitchen sink basket and strainer All **54.14**
- Fits 3-1/2" opening - 4-3/8" rim diameter
- Available in -26 Polished Chrome, -03 Polished Brass, -07 Satin Nickel, -50 White, -51 Almond, and -54 Black, and -65 Biscuit

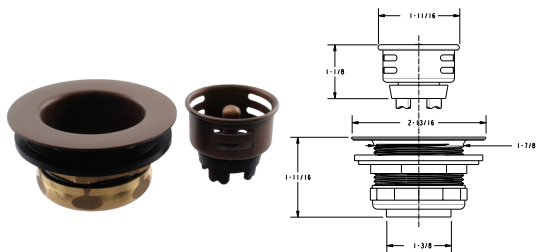
Junior Basket Strainer



D218-

- Junior basket strainer for bar sink 26 **54.14**
- Brass basket, nuts and washers included 01, 05, 07, **70.38**
- Fits 2-1/4" opening - 2-15/16" rim diameter 11, 12, 50, 62
- 2-5/8" tall
- Solid brass

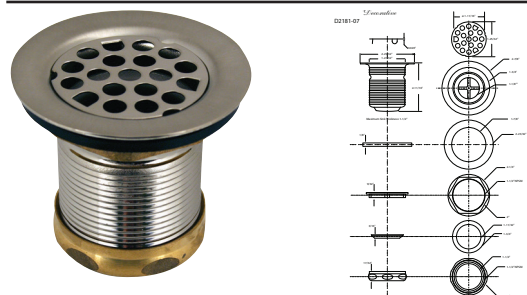
Midget Duo Post Strainer



D220-

- Midget duo basket strainer for bar sink 26 **43.31**
- Post style basket, nuts and washers included 03, 05, 07, **59.56**
- Fits 2-1/4" opening 11, 12, 50, 62
- 2-7/8" rim diameter
- 1-3/8" tall brass construction

Grid Style Junior Basket Strainer



D2181-

- Junior grid strainer for bar sink 26 **51.43**
- Brass snap in grid 01, 05, 07, **67.68**
- Fits 2-1/4" opening 12, 20, 50, 62
- 2-15/16" rim diameter
- 2-5/8" tall
- Solid brass

CONSTRUCTION ACCESSORIES

POLISHED BRASS (01 OR 03), POLISHED NICKEL (05), SATIN NICKEL (07), ANTIQUE COPPER (11), OIL RUBBED BRONZE (12), STAINLESS STEEL (20), POLISHED CHROME(26), WHITE (50), FLAT BLACK (62)



Post Style Stainless Steel Basket Strainer S412BS

- Large push style kitchen sink strainer
 - Zinc slip joint nuts and washers included
 - Fits 3-1/2" opening
 - 4-1/2" rim diameter
 - Stainless Steel construction
- | | |
|-----------|--------------|
| Stainless | 15.18 |
| Steel | |



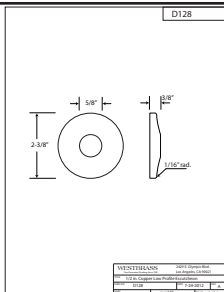
Easy Connect Stainless Steel Basket Strainer IEODS (EODBS)

- Large push style kitchen sink strainer
 - Brass slip joint nuts and washers included
 - Fits 3-1/2" opening
 - 4-1/2" rim diameter
 - Stainless Steel construction
- | | |
|-----------|--------------|
| Stainless | 20.30 |
| Steel | |



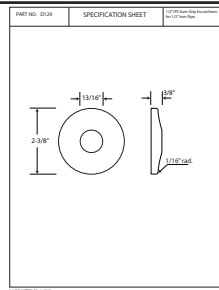
Double Cup Chrome Basket Strainer DCBS

- Large push style kitchen sink strainer
 - Zinc slip joint nuts and washers included
 - Fits 3-1/2" opening
 - 4-1/2" rim diameter
 - Stainless Steel construction
- | | |
|-----------|--------------|
| Stainless | 24.36 |
| Steel | |



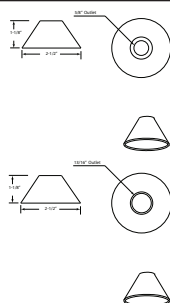
1/2 in. Copper Pipe Sure Grip Flange D128-

- Low Pattern Flange
 - For 1/2 in. copper pipe 5/8 in. OD
 - Steel stamped
 - 2-1/2 in. exterior diameter
- | | |
|-------------|--------------|
| 26 | 5.41 |
| 01, 05, 07, | 16.24 |
| 11, 12, 20, | |
| 50, 62 | |



1/2 in. IPS Sure Grip Flange D129-

- Low pattern flange
 - For 1/2 in. IPS brass or galvanized pipe
 - Steel stamped
 - 2-1/2 in. exterior diameter
- | | |
|-------------|--------------|
| 26 | 5.41 |
| 01, 05, 07, | 16.24 |
| 11, 12, 20, | |
| 50, 62 | |

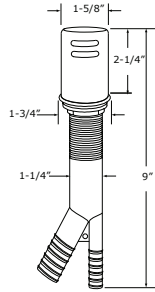


Bell Patten Sure Grip Flange D1281- for 1/2 in. copper

- Sure grip flange for 5/8 in. OD pipe
- | | |
|----------------|--------------|
| 26 | 12.18 |
| 01, 07, 12, 62 | 17.60 |
- ## D1291- for 1/2 in. IPS
- Sure grip flange for 1/2 in. galvanized pipe
- | | |
|----------------|--------------|
| 26 | 12.18 |
| 01, 07, 12, 62 | 17.60 |

AIR GAP KITS

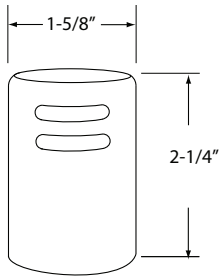
POLISHED BRASS (01 OR 03), POLISHED NICKEL (05), SATIN NICKEL (07), ANTIQUE COPPER (11), OIL RUBBED BRONZE (12), STAINLESS STEEL (20), POLISHED CHROME(26), WHITE (50), FLAT BLACK (62)



Air Gap Kit with Standard Brass Cap

D200-

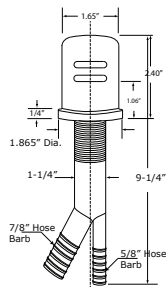
- Standard air gap cap with plastic body included 26 **24.36**
- 1-5/8" cap diameter 01, 05, 07, **36.55**
- 2-1/4" cap height 11, 12, 20,
- 9" overall height with plastic body 50, 62
- Stamped brass cap with plastic body



Standard Brass Air Gap Cap Only

D201-

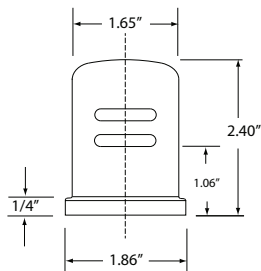
- Standard air gap cap only 26 **18.95**
- 1-5/8" cap diameter 01, 05, 07, **24.36**
- 2-1/4" cap height 11, 12, 20,
- Stamped brass 50, 62



Air Gap Kit with Skirted Brass Cap

D200-1-

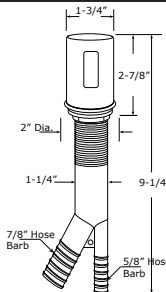
- Heavy duty air gap cap with plastic body included 26 **32.49**
- 1-3/4" cap diameter and 2-3/4" cap height 01, 05, 07, **40.61**
- 9" overall height with plastic body 11, 12, 20,
- Cap covers entire air gap body and installs flush to sink 50, 62
- Hides nut on sink for a cleaner finish



Skirted Brass Air Gap Cap Only

D201-1-

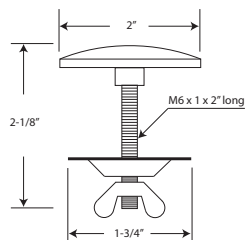
- 1-3/4" cap diameter 26 **28.42**
- 2-3/4" cap height 01, 05, 07, **33.84**
- Fits all standard air gap bodies 11, 12, 20,
- Cap covers entire air gap body to install flush to sink 50, 62
- Hides nut on sink



Plastic Air Gap Kit with Cap

D200P-

- Plastic air gap cap with plastic body included CP **13.54**
- 1-3/4" cap diameter and 2-3/4" cap height AL **13.54**
- 9" overall height with plastic body WH **13.54**
- Chrome, White and Almond only



Sink Hole Cover

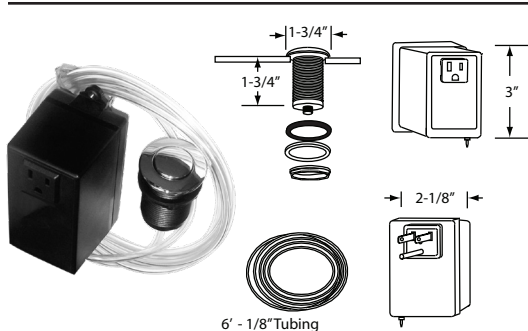
D202-

- Heavy brass top disk 26 **13.54**
- Solid 2" threaded rod with wing nut 01, 05, 07, **24.36**
- Reversible washer fits thin or thick sinks 11, 12, 20,
- 2" cover diameter 50, 62
- Covers unused sink holes
- Low profile easier to clean than deck plates

DISPOSAL AIR SWITCHES

POLISHED BRASS (01 OR 03), POLISHED NICKEL (05), SATIN NICKEL (07), ANTIQUE COPPER (11), OIL RUBBED BRONZE (12), STAINLESS STEEL (20), POLISHED CHROME(26), WHITE (50), FLAT BLACK (62)

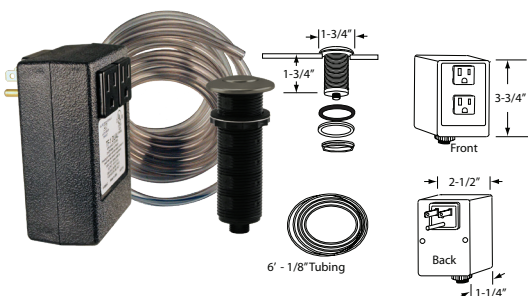
WASTEMASTER™
by WESTBRASS



Air Switch and Single Outlet Control Box

ASB-26

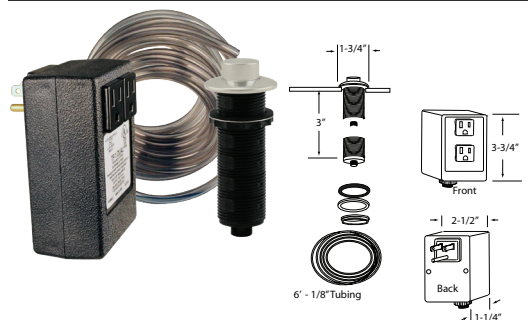
- Sink top disposal switch 26 **120.47**
- Single outlet remote on/off switch 05, 07, **147.54**
- Heavy duty button and flange 12, 20
- No-shock control box and 6 foot hose
- Improves safe disposal operation
- Eliminates shock hazard



Air Switch and Dual Outlet Control Box

ASB-2B3-

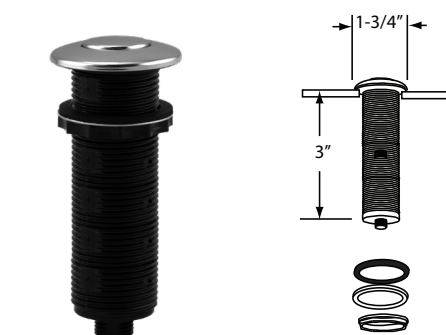
- Sink top disposal switch 26 **134.00**
- Dual outlet remote on/off switch 01, 05, **174.61**
- Heavy duty button and flange 07, 11, 12, 20, 50, 62
- Control box toggles between two outlets
- Improves safe disposal operation
- Eliminates shock hazard



Raised Button Air Switch and Dual Outlet Box

ASB-2RB3-

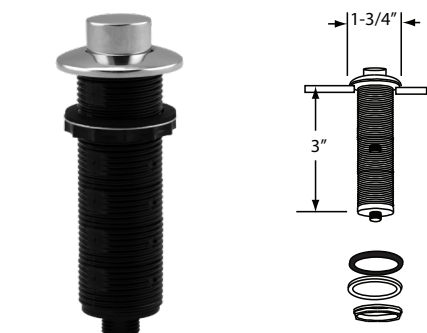
- Sink top disposal switch 26 **169.19**
- Dual outlet remote on/off switch 01, 05, **194.91**
- Heavy duty button and flange 07, 11, 12, 20, 50, 62
- Control box toggles between two outlets
- Eliminates shock hazard for safe disposal operation
- Raised button makes operation easier
- ADA compliant



Replacement Air Switch Trim

ASB-B3-

- Garbage disposal air bellows and trim 26 **59.56**
- Metal button and flange 01, 05, **85.27**
- 3" shaft fits 2-1/2" thick decks 07, 11, 12, 20, 50, 62
- Replaces most manufacturers including: Franke, In-Sink-Erator, G.E., and Waste King



Raised Button Replacement Air Switch Trim

ASB-RB3-

- Garbage disposal air bellows and trim 26 **78.51**
- Heavy duty button and flange 01, 05, **108.28**
- Raised button makes operation easier 07, 11, 12, 20, 50, 62
- 3" shaft fits 2-1/2" thick decks
- Replaces most manufacturers including: Franke, In-Sink-Erator, G.E., and Waste King
- ADA compliant

WESTBRASS

Fine Decorative Plumbing Since 1935

ASB-2B3 Installation Instructions

GENERAL

This controller system provides safe and convenient remote on/off switching of two 120 V load. The system consists of the following:

Controller, P/N SAFFAC272
 Air Transmitter, P/N MPT-3428
 Air Hose, 6 feet, P/N TU7-006

OPERATION

The control system works on a sealed air displacement principle. As the air transmitter button is pressed and released, sealed air is displaced and is transmitted through the interconnecting air hose, to the pressure sensitive electrical switch, completing the electrical circuit and turning the disposer on and the second device off. The circuit will remain energized until the air transmitter button is depressed and released again, turning the disposer off and the second device on.

CAUTION:

To avoid damage to this equipment, or the equipment being controlled, do not cycle rapidly.

INSTALLATION INSTRUCTIONS

Read all instructions before installing control system.

- 1) The air transmitter must be mounted within 6 feet of the controller outlet. Select a location which is convenient for user operation and easily accessible for service and/or removal. See Fig. 3
- 2) Drill a 1-1/4" to 1-3/8" diameter hole at the transmitter mounting location selected. The air transmitter body can be mounted through surfaces from 1/16 in. to 2 in. thick.
- 3) Remove the mounting nut from the air transmitter. Insert the threaded body through the mounting hole and re secure the mounting nut.
- 4) Connect one end of the air hose (supplied) to the fitting on the air transmitter. See Fig. 2 for additional information.

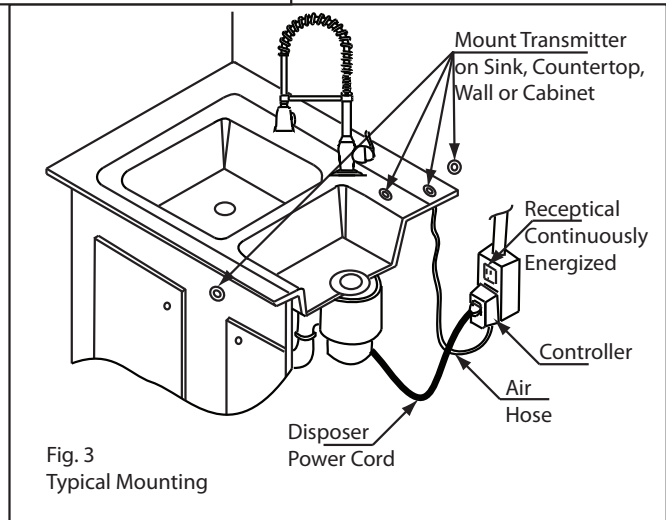
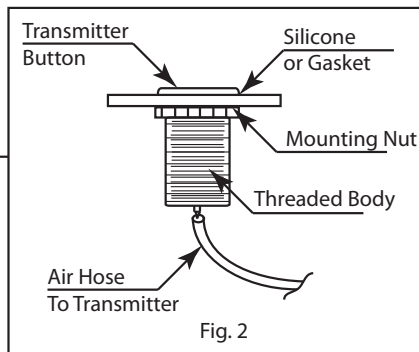
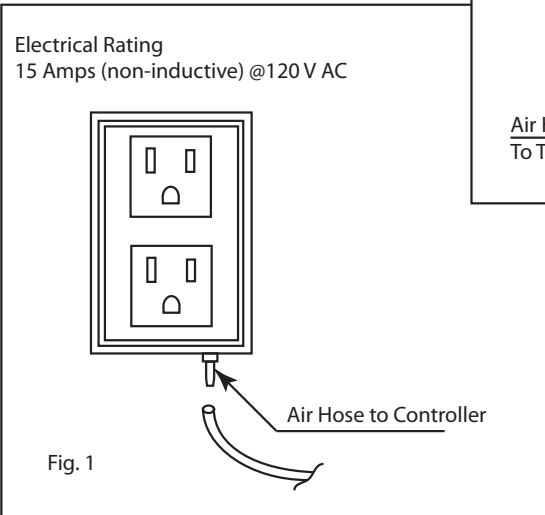
5) Route the air hose to the controller in a convenient path where it will not be kinked, cut, or become disconnected. Attach the remaining end of the air hose to the fitting on the controller. See Fig. 1.

6) Plug the controller into a dedicated, grounded, 120 V AC outlet which is continuously energized.

7) Plug the disposer into the controller.

CAUTION: The disposer may begin to operated. If it does, simply press and release the air transmitter button to turn the disposer off.

8) Be sure that the control system is operating properly before using the disposer. Press and release the air transmitter to turn the disposer on and the second device off. Press and release the air transmitter again to turn the disposer off and the second device on.



WARNING - TO AVOID RISK OF INJURY

- Use indoors in dry locations only.
- Do not exceed specified electrical ratings.
- Do not crimp or damage the interconnecting air hose.
- No user servicable components inside controller.
- Opening controller will void manufacturer's warranty

WESTBRASS
 Fine Decorative Plumbing Since 1935

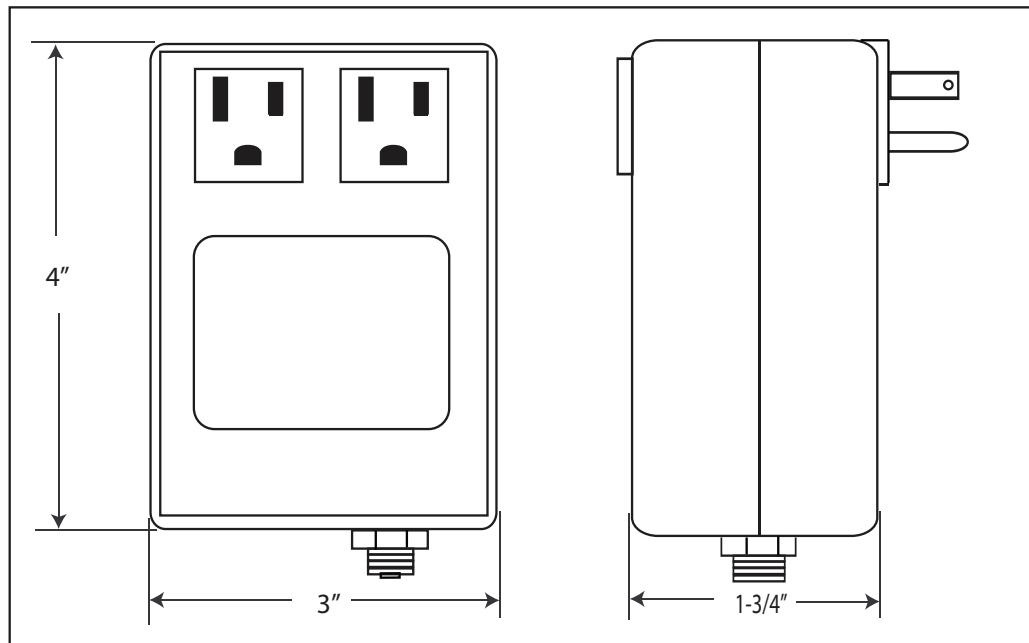
2429 E. Olympic Blvd.
 Los Angeles, CA 90021
 www.westbrass.com

ASB-2B3 DUAL OUTLET

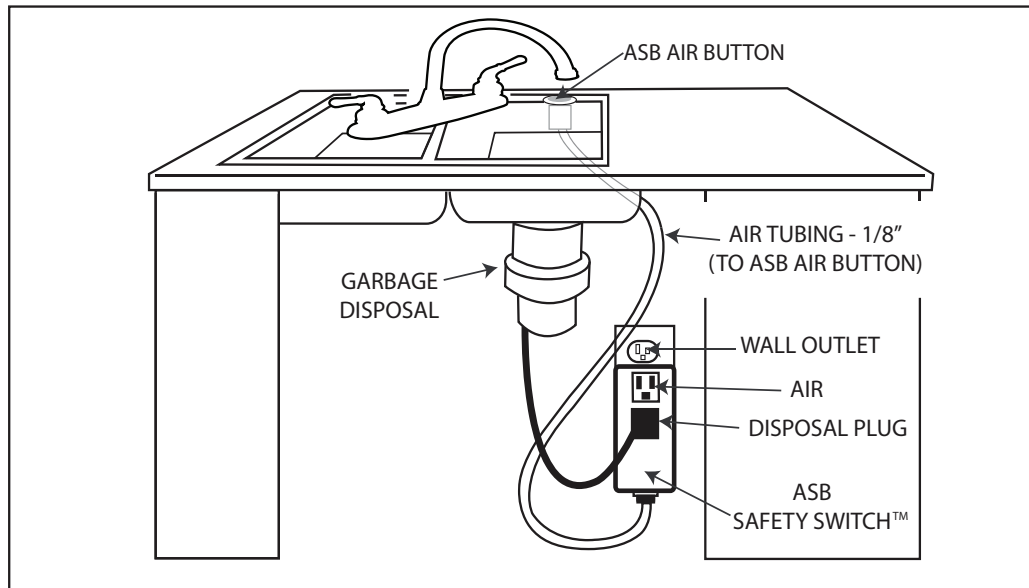
DESCRIPTION: Westbrass decorative ASB DUAL OUTLET is a simple and convenient remote on/off air switch. The unit plugs into any standard household wall receptacle. Any 120V, 1HP motor can be plugged directly into either of the MT 951 receptacles. Pressing a remote AIR BUTTON will alternately activate or deactivate two pieces of equipment.

**BUTTON CONTROL
 DISTANCE STANDARD:**

#4	#10	#15
n/a	15ft	15ft



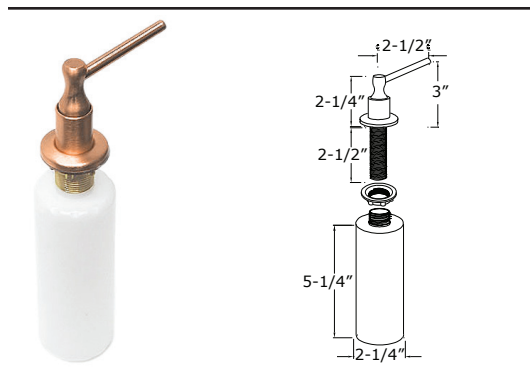
**TYPICAL
 INSTALLATION:**



READ AND SAVE THESE INSTRUCTIONS

SOAP/LOTION DISPENSERS

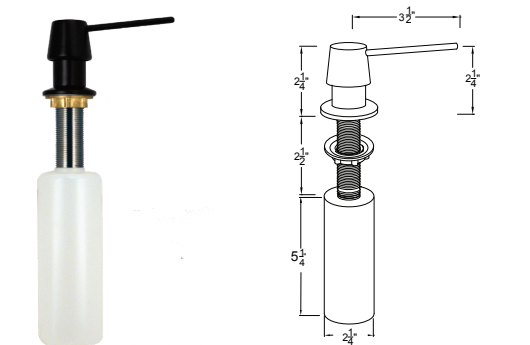
POLISHED BRASS (01 OR 03), POLISHED NICKEL (05), SATIN NICKEL (07), ANTIQUE COPPER (11), OIL RUBBED BRONZE (12), STAINLESS STEEL (20), POLISHED CHROME(26), WHITE (50), FLAT BLACK (62)



Standard Soap/Lotion Dispenser

D217-

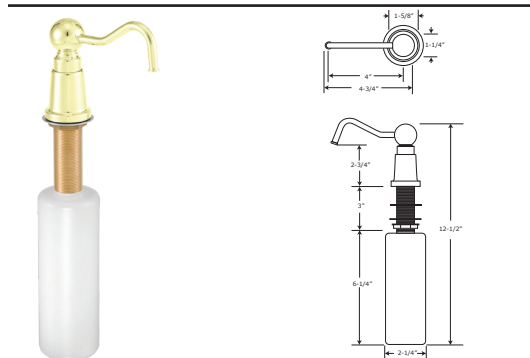
- Standard style soap and lotion dispenser 26 **62.26**
- 3" dispenser height 01, 05, **82.57**
- 2-1/2" center-to-center spout 07, 11,
- 1-3/8" sink hole size 12, 50,
- 12 oz. plastic bottle included 51, 62
- Solid brass head & body with plastic pump



Heavy Duty Soap/Lotion Dispenser

D2171-

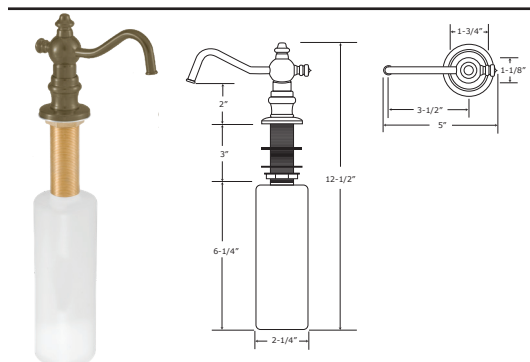
- Heavy duty style soap and lotion dispenser 26 **146.18**
- 2-1/4" dispenser height 01, 07, **171.90**
- 3-1/2" center-to-center spout 12
- 1-3/8" sink hole size
- 12 oz. plastic bottle included
- Solid brass head & body with plastic pump



Country Soap/Lotion Dispenser

D2175-

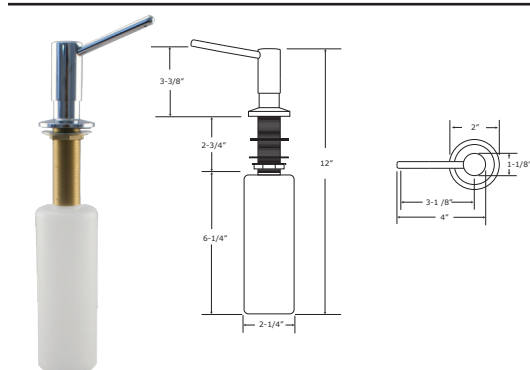
- Ball head with curved spout 26 **148.89**
- 3-1/2" dispenser height 01, 05, **178.67**
- 4" center-to-center spout 07, 12
- 1-3/8" sink hole size, fits thick counter tops
- 12 oz. plastic bottle included
- Solid brass head & body with plastic pump



Victorian Soap/Lotion Dispenser

D2176-

- Decorative finial style head 26 **157.01**
- 3-1/4" dispenser height 01, 07, **177.32**
- 3-1/2" center-to-center spout 12, 62
- 1-3/8" sink hole size
- 12 oz. plastic bottle included
- Solid brass head & body with plastic pump



Contemporary Soap/Lotion Dispenser

D2178-

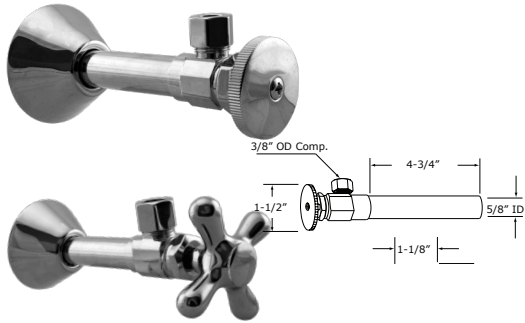
- Heavy duty soap and lotion dispenser 26 **146.18**
- 3-3/8" dispenser height 05 **171.90**
- 3-1/8" center-to-center spout
- 1-3/8" sink hole size
- 12 oz. plastic bottle included
- Solid brass head & body with plastic pump

BATHROOMS



STOPS & SUPPLIES

POLISHED BRASS (01 OR 03), POLISHED NICKEL (05), SATIN NICKEL (07), ANTIQUE COPPER (11), OIL RUBBED BRONZE (12), STAINLESS STEEL (20), POLISHED CHROME(26), WHITE (50), FLAT BLACK (62)



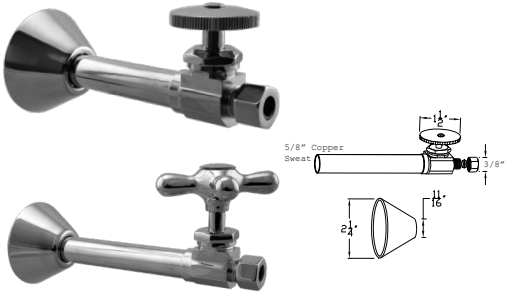
Angle Stop, 1/2 in. Copper Sweat with Bell Flange

D1112-

- 1/2" nominal copper sweat inlet 26 **67.68**
- 3/8" OD compression outlet 01, 05, 07, **94.75**
- 11/16" ID bell flange (D12912) included 12, 12V, 50

D1112X- (Cross Handle)

- Add for Cross Handle 26 **110.99**
- 01, 05, 07, **138.06**
- 12, 12V, 50



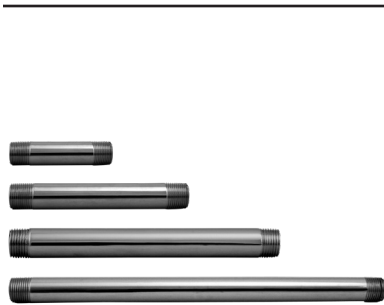
Straight Stop, 1/2 in. Copper Sweat with Bell

D1114-

- 1/2" nominal copper sweat inlet 26 **67.68**
- 3/8" OD compression outlet 01, 05, 07, **94.75**
- 11/16" ID bell flange (D12912) included 08, 12

D1114X- (Cross Handle)

- Add for Cross Handle 26 **110.99**
- 01, 05, 07, **138.06**
- 12, 12V, 50

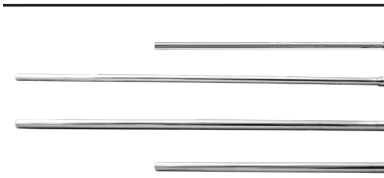


1/2" IPS Pipe Nipples

-26 Chrome

01, 05, 07, 12, 50, 62

D12104	1/2" x 4" IPS pipe nipple	23.01	29.78
D12106	1/2" x 6" IPS pipe nipple	31.13	40.61
D12108	1/2" x 8" IPS pipe nipple	54.14	70.38
D12112	1/2" x 12" IPS pipe nipple	67.68	81.21
D12119	1/2" x 19" IPS pipe nipple	117.76	173.25
D12124	1/2" x 24" IPS pipe nipple	171.90	198.97
D12136	1/2" x 36" IPS pipe nipple	211.15	239.58
D12148	1/2" x 48" IPS pipe nipple	309.96	419.60

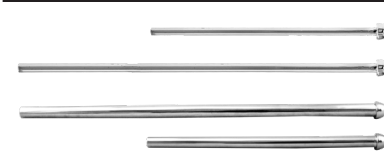


Flat Head Toilet Supply Risers

-26 Chrome

01, 05, 07, 11, 12, 50, 62

D123	3/8" x 12" Supply Tube	18.95	25.72
D124	3/8" x 20" Supply Tube	21.66	28.42
D125	1/2" x 12" Supply Tube <small>limited supply</small>	24.36	33.84



Bullnose Faucet Supply Risers

-26 Chrome

01, 05, 07, 11, 12, 50, 62

D119	3/8" x 12" Supply Tube	16.24	23.01
D120	3/8" x 20" Supply Tube	18.95	25.72
D121	1/2" x 12" Supply Tube <small>limited supply</small>	21.66	32.49
D122	1/2" x 20" Supply Tube <small>limited supply</small>	24.36	36.55



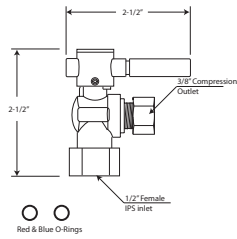
Corrugated Faucet Supply Risers

-26 Chrome

01, 05, 07, 11, 12

D112	3/8" x 9" Supply Tube	17.60	24.36
D113	3/8" x 12" Supply Tube	18.95	25.72
D1131	3/8" x 15" Supply Tube <small>limited supply</small>	20.30	27.07
D114	3/8" x 20" Supply Tube	21.66	28.42
D115	1/2" x 09" Supply Tube <small>limited supply</small>	21.66	31.13
D116	1/2" x 12" Supply Tube <small>limited supply</small>	23.01	32.49
D117	1/2" x 15" Supply Tube <small>limited supply</small>	24.36	33.84
D118	1/2" x 20" Supply Tube <small>limited supply</small>	25.72	36.55

Includes 1/2" Faucet Cone, 1/2" Thread-on and 7/8 Toilet Ballcock Washer

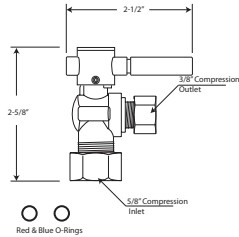


1/4-Turn Angle Stop, 1/2" IPS - Lever Handle

D103BL-

- 1/4-turn ball valve angle stop
- 1/2" IPS inlet
- 3/8" OD compression outlet
- Lever handle
- Lead free brass construction

26	59.56
05, 07, 12,	75.80
62	

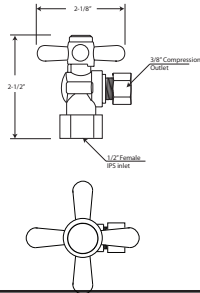


1/4-Turn Angle Stop, 5/8" OD - Lever Handle

D105BL-

- 1/4-turn ball valve angle stop
- 1/2" copper pipe compression (5/8" OD) inlet
- 3/8" OD compression outlet
- Lever handle
- Lead free brass construction

26	59.56
05, 07, 12,	75.80
62	

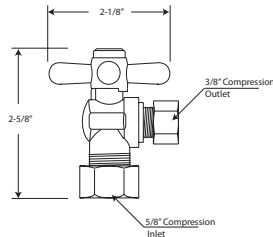


1/4-Turn Angle Stop, 1/2" IPS - Cross Handle

D103BX-

- 1/4-turn ball valve angle stop
- 1/2" IPS inlet
- 3/8" OD compression outlet
- Cross handle
- Lead free brass construction

26	59.56
05, 07, 12,	75.80
62	

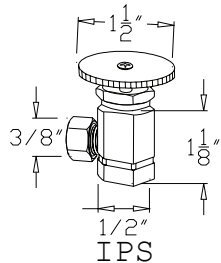


1/4-Turn Angle Stop, 5/8" OD Inlet - Cross Handle

D105BX-

- 1/4-turn ball valve angle stop
- 1/2" copper pipe compression (5/8" OD) inlet
- 3/8" OD compression outlet
- Cross handle
- Lead free brass construction

26	59.56
05, 07, 12,	75.80
62	

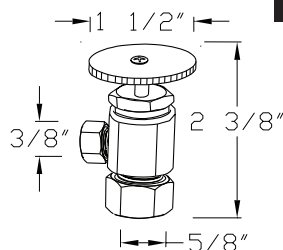


Angle Stop, 1/2" IPS - Round Handle

D103-

- Angle stop
- 1/2" IPS pipe inlet
- 3/8" OD compression outlet
- Round Handle

26	47.37
01, 05, 07,	66.32
11, 12, 62	



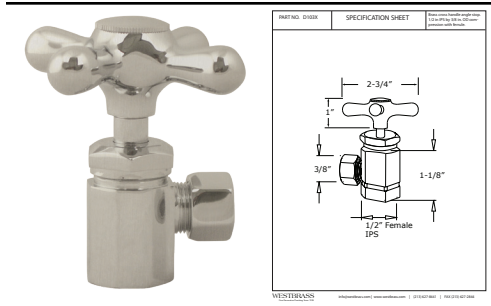
Angle Stop, 1/2" Nom. Copper - Round Handle

D105-

- Angle stop
- 1/2" nominal compression inlet (5/8" OD)
- 3/8" OD compression outlet
- Round Handle

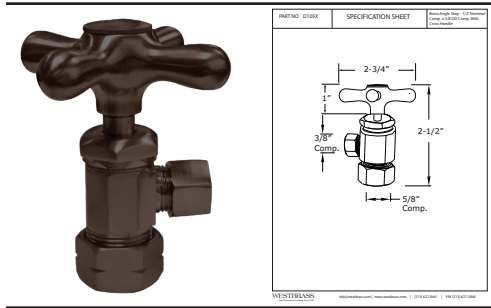
26	47.37
01, 05, 07,	66.32
11, 12, 62	

POLISHED BRASS (01 OR 03), POLISHED NICKEL (05), SATIN NICKEL (07), ANTIQUE COPPER (11), OIL RUBBED BRONZE (12), STAINLESS STEEL (20), POLISHED CHROME(26), WHITE (50), FLAT BLACK (62)



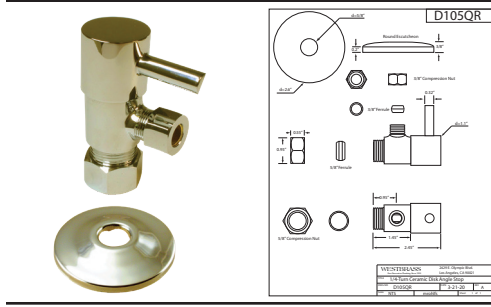
Comp. Angle Stop, 1/2" IPS - Cross Handle D103X-

- Compression style angle stop 26 **90.69**
- 1/2 in. IPS inlet for iron pipe 01, 05, 07, **109.64**
- 3/8 in. OD compression outlet 11,12, 20, 62
- Forged cross handle
- Lead free brass construction



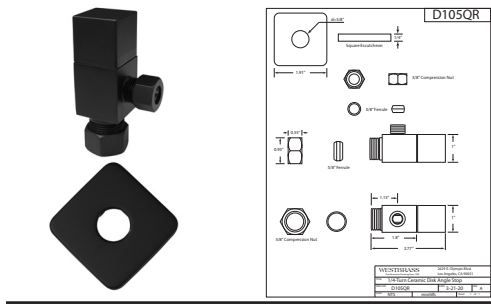
Comp. Angle Stop, 5/8" OD - Cross Handle D105X-

- Compression style angle stop 26 **90.69**
- 1/2 in. copper pipe compression (5/8" OD) inlet 01, 05, **109.64**
- 3/8 in. OD compression outlet 07, 11,12, 20, 62
- Forged cross handle
- Lead free brass construction



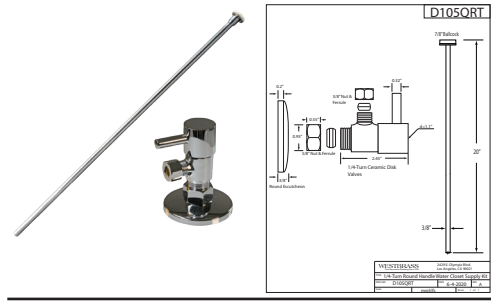
1/4-Turn Stop, 5/8" OD Inlet - Round Handle D105QR-

- 1/4-turn ceramic valve angle stop 26 **84.53**
- 1/2 in. copper pipe compression (5/8" OD) inlet 01, 05, **105.93**
- 3/8 in. OD compression outlet 07, 12, 62
- Round lever handle
- Lead free brass construction



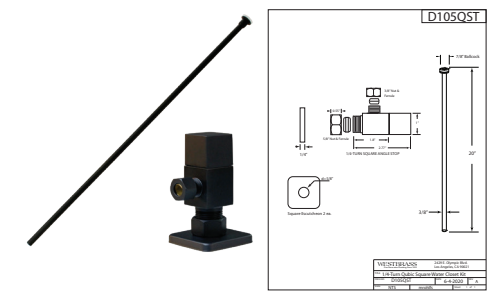
1/4-Turn Stop, 5/8" OD Inlet - Square Handle D105QS-

- 1/4-turn ceramic valve angle stop 26 **116.63**
- 1/2 in. copper pipe compression (5/8" OD) inlet 01, 05, **144.45**
- 3/8 in. OD compression outlet 07, 12, 62
- Square stop and handle
- Lead free brass construction



1/4-Turn Angle Stop, Round Toilet Supply D105QRT-

- 1/4-turn ball valve angle stop 26 **105.93**
- 1/2 in. copper pipe compression (5/8" OD) inlet 01, 05, **127.33**
- 3/8 in. OD compression outlet 07, 12, 62
- Round lever handle
- 3/8 in. x 20 in. flat end toilet supply

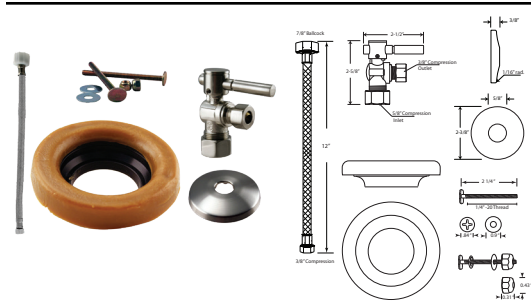


1/4-Turn Angle Stop, Square Toilet Supply D105QST-

- 1/4-turn ball valve angle stop 26 **145.52**
- 1/2 in. copper pipe compression (5/8" OD) inlet 01, 05, **170.13**
- 3/8 in. OD compression outlet 07, 12, 62
- Square stop and handle
- 3/8 in. x 20 in. flat end toilet supply

LEVER HANDLE 1/4 - TURN ANGLE STOP KITS

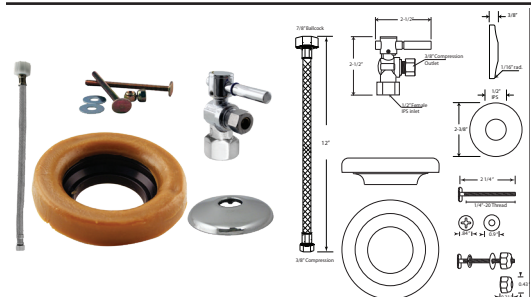
POLISHED BRASS (01 OR 03), POLISHED NICKEL (05), SATIN NICKEL (07), ANTIQUE COPPER (11), OIL RUBBED BRONZE (12), STAINLESS STEEL (20), POLISHED CHROME(26), WHITE (50), FLAT BLACK (62)



Lever Handle Ball Valve Toilet Kit & Wax Ring

D1612TBL-

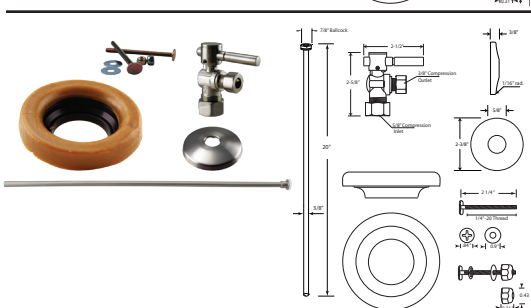
- 3/8" comp. x 7/8" ballcock x 12" stainless steel braided flex line 26 **101.52**
- 1/2" nom. comp. x 3/8" comp. angle stop (D105BL) 07 **123.17**
- 5/8" ID sure grip brass flange (D128)
- Flanged urethane wax ring (D6033-40)
- 2 ea. brass closet bolts, nuts, and washers



Lever Handle Ball Valve Toilet Kit & Wax Ring

D1613TBL-

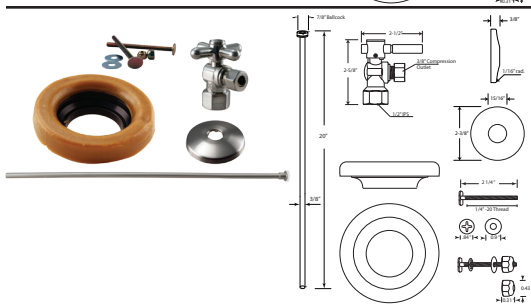
- 3/8" comp. x 7/8" ballcock x 12" stainless steel braided flex line 26 **101.52**
- 1/2" IPS x 3/8" comp. angle stop (D103BL) 07 **123.17**
- 1/2" IPS sure grip brass flange (D129)
- Flanged urethane wax ring (D6033-40)
- 2 ea. brass closet bolts, nuts, and washers



Lever Handle Ball Valve Toilet Kit & Wax Ring

D1614TBL-

- 3/8" comp. x 7/8" flat head ballcock x 20" annealed brass toilet supply line (D124) 26 **101.52**
- 1/2" nom comp. x 3/8" comp. angle stop (D105BL) 05, 07, **123.17**
- 5/8" ID sure grip brass flange (D128) 12, 62
- Flanged urethane wax ring (D6033-40)
- 2 ea. brass closet bolts, nuts and washers



Lever Handle Ball Valve Toilet Kit & Wax Ring

D1615TBL-

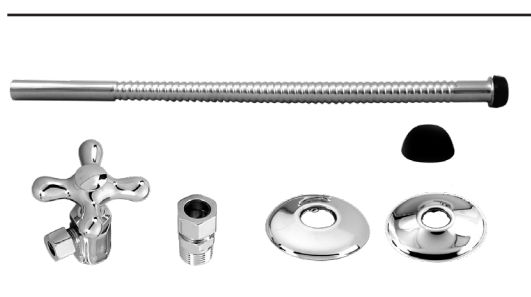
- 3/8" comp. x 7/8" Flat Head ballcock x 20" annealed brass toilet supply line (D124) 26 **101.52**
- 1/2" IPS x 3/8" comp. angle stop (D103BL) 05, 07, **123.17**
- 1/2" IPS sure grip brass flange (D129) 12, 62
- Flanged urethane wax ring (D6033-40)
- 2 ea. brass closet bolts, nuts and washers



Wax Ring with Flange Only

D0133-40

- Urethane wax ring toilet bowl gasket 12.19
- With universal 3" or 4" rubber boot



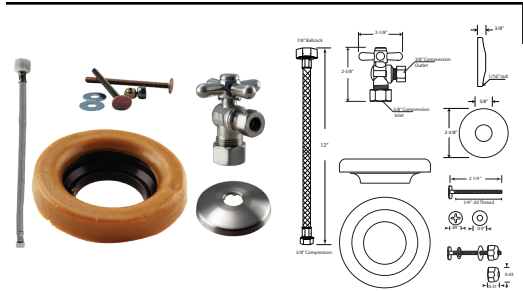
Universal Toilet Kit w/Cross Handle

D1712T-

- Universal traditional style toilet kit includes:
- 26 **140.77**
 - 1/2" OD x 12" corrugated riser (D116) 01, 05, **194.91**
 - 5/8" ID sure grip brass flange (D128) 07, 12
 - 1/2" IPS sure grip brass flange (D129)
 - 1/2" IPS x 1/2" OD comp. angle stop (D1021X)
 - 1/2" IPS x compression adapter

CROSS HANDLE 1/4 - TURN ANGLE STOP KITS

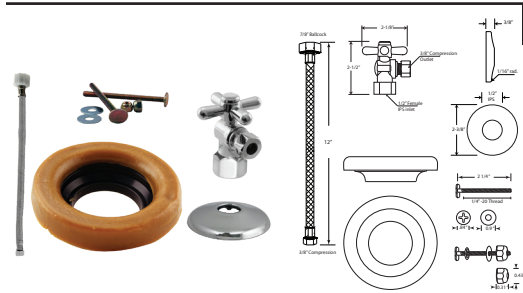
POLISHED BRASS (01 OR 03), POLISHED NICKEL (05), SATIN NICKEL (07), ANTIQUE COPPER (11), OIL RUBBED BRONZE (12), STAINLESS STEEL (20), POLISHED CHROME(26), WHITE (50), FLAT BLACK (62)



Cross Handle Ball Valve Toilet Kit & Wax Ring

D1612TBX-

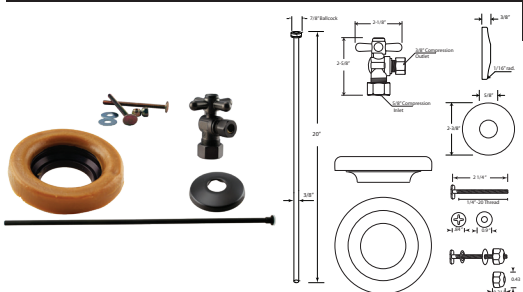
- 3/8" comp. x 7/8" ballcock x 12" stainless steel braided flex line 26 **101.52**
- 1/2" nom. comp. x 3/8" comp. angle stop (D105BX) 07 **123.17**
- 5/8" ID sure grip brass flange (D128)
- Flanged urethane wax ring (D6033-40)
- 2 ea. brass closet bolts, nuts and washers



Cross Handle Ball Valve Toilet Kit & Wax Ring

D1613TBX-

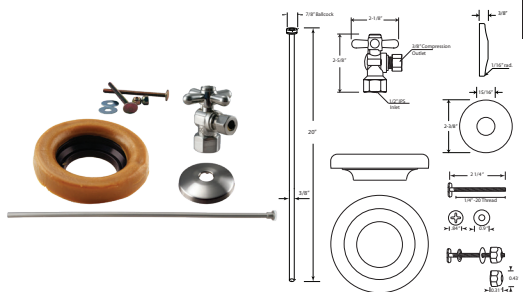
- 3/8" comp. x 7/8" ballcock x 12" stainless steel braided flex line 26 **101.52**
- 1/2" IPS x 3/8" comp. angle stop (D103BX) 07 **123.17**
- 1/2" IPS sure grip brass flange (D129)
- Flanged urethane wax ring (D6033-40)
- 2 ea. brass closet bolts, nuts and washers



Cross Handle Ball Valve Toilet Kit & Wax Ring

D1614TBX-

- 3/8" comp. x 7/8" ballcock x 12" stainless steel braided flex line 26 **101.52**
- 1/2" nom. comp. x 3/8" comp. angle stop (D105BX) 05, 07, **123.17**
- 5/8" ID sure grip brass flange (D128) 12, 62
- Flanged urethane wax ring (D6033-40)
- 2 ea. brass closet bolts, nuts and washers



Cross Handle Ball Valve Toilet Kit & Wax Ring

D1615TBX-

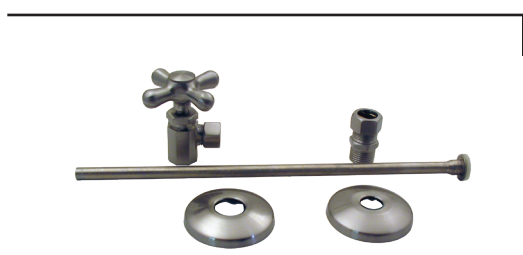
- 3/8" comp. x 7/8" ballcock x 12" stainless steel braided flex line 26 **101.52**
- 1/2" IPS x 3/8" comp. angle stop (D103BX) 05, 07, **123.17**
- 1/2" IPS sure grip brass flange (D129) 12, 62
- Flanged urethane wax ring (D6033-40)
- 2 ea. brass closet bolts, nuts and washers



Wax Ring with Flange and Closet Bolts

D6033-40

- Urethane wax ring toilet bowl gasket **16.24**
- With universal 3" & 4" rubber boot
- Brass oval head closet bolts included



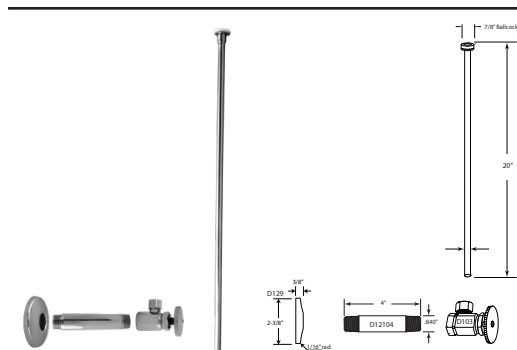
Universal Toilet Kit w/Cross Handle

D1812T-

- Universal traditional style toilet kit includes:
- 26 **140.77**
 - 1/2" OD x 12" flat head riser (D125) 01, 05, **194.91**
 - 5/8" ID sure grip brass flange (D128) 07, 12,
 - 1/2" IPS sure grip brass flange (D129) 50, 62
 - 1/2" IPS x 1/2" OD comp. angle stop (D1021X)
 - 1/2" IPS x compression adapter

ROUND HANDLE IPS ANGLE STOP KITS

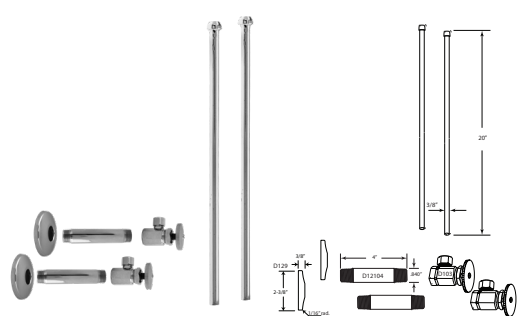
POLISHED BRASS (01 OR 03), POLISHED NICKEL (05), SATIN NICKEL (07), ANTIQUE COPPER (11), OIL RUBBED BRONZE (12), STAINLESS STEEL (20), POLISHED CHROME(26), WHITE (50), FLAT BLACK (62)



1/2" IPS x 3/8" Flat Head Riser Toilet Kit - Round

D103KFH-

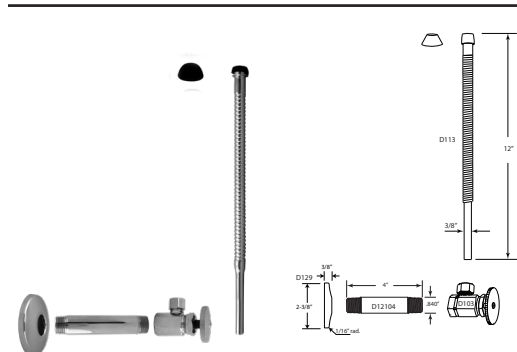
- 1/2" IPS inlet 26 **92.04**
- 3/8" OD compression outlet 01, 05, **132.65**
- Round handle compression stop (D103) 07, 12,
- 3/8" x 20" flat head toilet riser (D124) 50, 62
- 1/2" IPS x 4" nipple (D12104)
- 1/2" IPS sure grip flange (D129)



1/2" IPS x 3/8" Bullnose Riser Faucet Kit - Round

D103KBN-

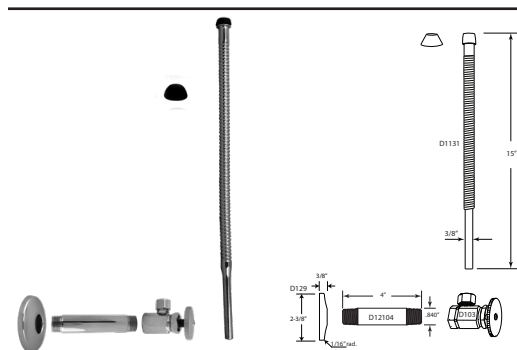
- 1/2" IPS inlet 26 **182.73**
- 3/8" OD compression outlet 01, 05, **262.59**
- 2 ea. round handle compression stops (D103) 07, 12,
- 2 ea. 3/8" x 20" bullnose faucet risers (D120) 50, 62
- 2 ea. 1/2" IPS x 4" nipples (D12104)
- 2 ea. 1/2" IPS sure grip flanges (D129)



1/2" IPS x 3/8" x 12" Corrugated Riser Kit - Round

D103K12-

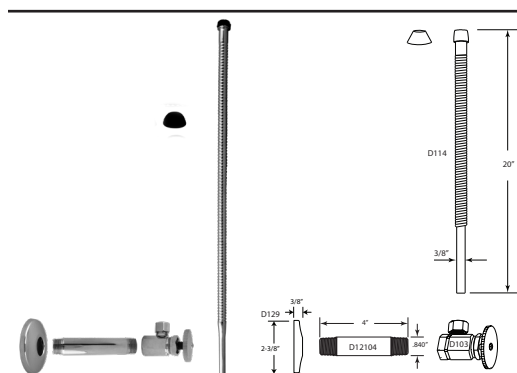
- 1/2" IPS inlet 26 **90.69**
- 3/8" OD compression outlet 01, 05, **127.23**
- Round handle compression stop (D103) 07, 12
- 3/8" x 12" corrugated riser (D113)
- 1/2" IPS x 4" nipple (D12104)
- Includes 1/2" faucet and 7/8" toilet cone washers
- 1/2" IPS sure grip flange (D129)



1/2" IPS x 3/8" x 15" Corrugated Riser Kit - Round

D103K15-

- 1/2" IPS inlet 26 **92.04**
- 3/8" OD compression outlet 01, 05, **128.59**
- Round handle compression stop (D103) 07, 12
- 3/8" x 15" corrugated riser (D1131)
- 1/2" IPS x 4" nipple (D12104)
- Includes 1/2" faucet and 7/8" toilet cone washers
- 1/2" IPS sure grip flange (D129)



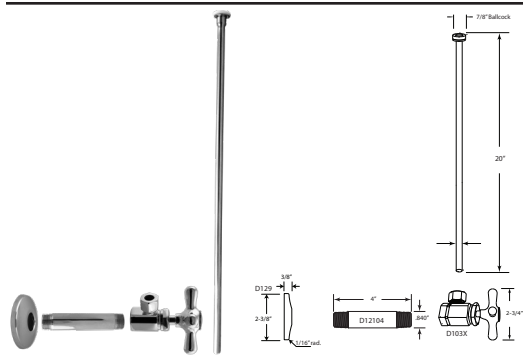
1/2" IPS x 3/8" x 20" Corrugated Riser Kit - Round

D103K20-

- 1/2" IPS inlet 26 **93.39**
- 3/8" OD compression outlet 01, 05, **129.94**
- Round handle compression stop (D103) 07, 12
- 3/8" x 20" corrugated riser (D114)
- 1/2" IPS x 4" nipple (D12104)
- Includes 1/2" faucet and 7/8" toilet cone washers
- 1/2" IPS sure grip flange (D129)

CROSS HANDLE IPS ANGLE STOP KITS

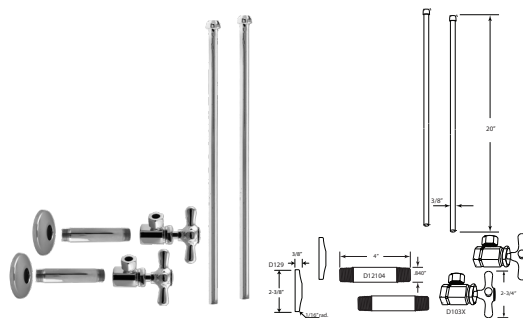
POLISHED BRASS (01 OR 03), POLISHED NICKEL (05), SATIN NICKEL (07), ANTIQUE COPPER (11), OIL RUBBED BRONZE (12), STAINLESS STEEL (20), POLISHED CHROME(26), WHITE (50), FLAT BLACK (62)



1/2" IPS x 3/8" Flat Head Riser Toilet Kit - Cross

D103KFHX-

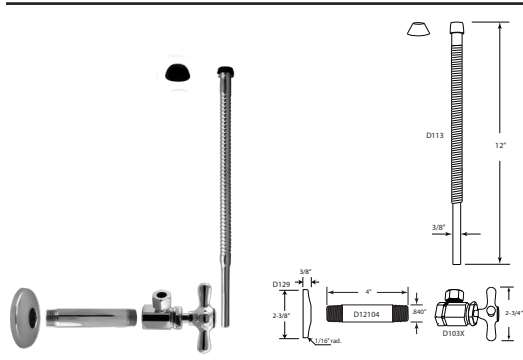
- 1/2" IPS inlet 26 **134.00**
- 3/8" OD compression outlet 01, 05, **182.73**
- Cross handle compression stop (D103X) 07, 12,
- 3/8" x 20" flat head toilet riser (D124) 50, 62
- 1/2" IPS x 4" nipple (D12104)
- 1/2" IPS sure grip flange (D129)



1/2" IPS x 3/8" Bullnose Riser Faucet Kit - Cross

D103KBNX-

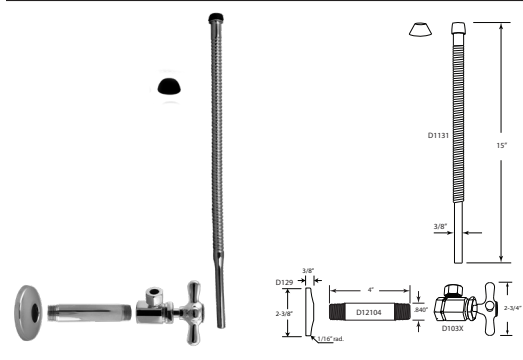
- 1/2" IPS inlet 26 **269.36**
- 3/8" OD compression outlet 01, 05, **368.17**
- 2 ea. cross handle compression stops (D103X) 07, 12,
- 2 ea. 3/8" x 20" bullnose faucet risers (D120) 50, 62
- 2 ea. 1/2" IPS x 4" nipples (D12104)
- 2 ea. 1/2" IPS sure grip flanges (D129)



1/2" IPS x 3/8" x 12" Corrugated Riser Kit - Cross

D103K12X-

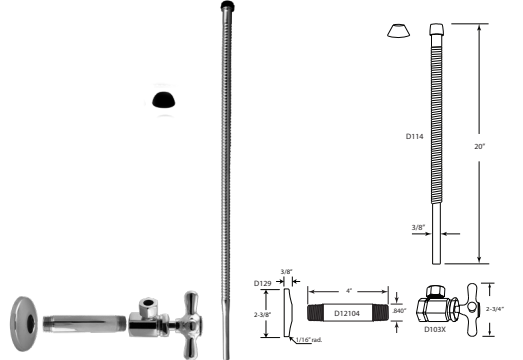
- 1/2" IPS inlet 26 **128.59**
- 3/8" OD compression outlet 01, 05, **177.32**
- Cross handle compression stop (D103X) 07, 12
- 3/8" x 12" corrugated riser (D113)
- 1/2" IPS x 4" nipple (D12104)
- Includes 1/2" faucet and 7/8" toilet cone washers
- 1/2" IPS sure grip flange (D129)



1/2" IPS x 3/8" x 15" Corrugated Riser Kit - Cross

D103K15X-

- 1/2" IPS inlet 26 **129.94**
- 3/8" OD compression outlet 01, 05, **178.67**
- Cross handle compression stop (D103X) 07, 12
- 3/8" x 15" corrugated riser (D1131)
- 1/2" IPS x 4" nipple (D12104)
- Includes 1/2" faucet and 7/8" toilet cone washers
- 1/2" sure grip IPS flange (D129)



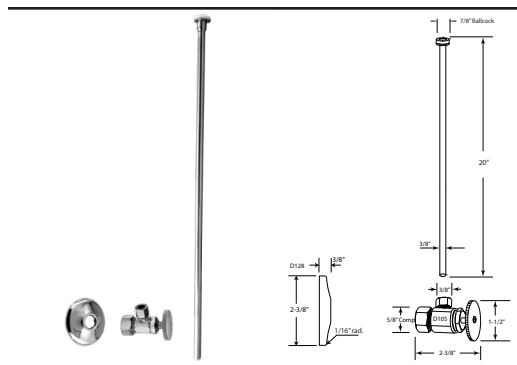
1/2" IPS x 3/8" x 20" Corrugated Riser Kit - Cross

D103K20X-

- 1/2" IPS inlet 26 **131.29**
- 3/8" OD compression outlet 01, 05, **189.50**
- Cross handle compression stop (D103X) 07, 12
- 3/8" x 20" corrugated riser (D114)
- 1/2" IPS x 4" nipple (D12104)
- Includes 1/2" faucet and 7/8" toilet cone washers
- 1/2" IPS sure grip flange (D129)

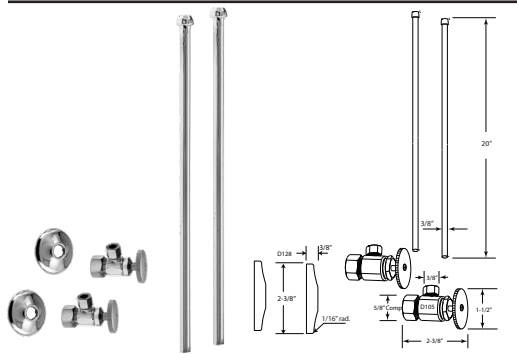
ROUND HANDLE COMPRESSION INLET ANGLE STOP KITS

POLISHED BRASS (01 OR 03), POLISHED NICKEL (05), SATIN NICKEL (07), ANTIQUE COPPER (11), OIL RUBBED BRONZE (12), STAINLESS STEEL (20), POLISHED CHROME(26), WHITE (50), FLAT BLACK (62)



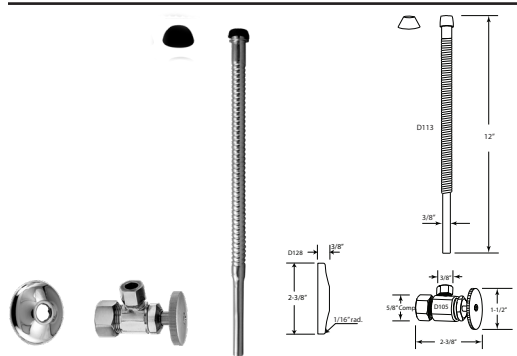
1/2" Nom. x 3/8" Flat Head Riser Toilet Kit - Round D105KFH-

- 1/2" nominal compression (5/8" OD) inlet 26 **56.85**
- 3/8" OD compression outlet 01, 05, **78.51**
- Round handle compression stop (D105) 07, 12,
- 3/8" x 20" flat head toilet riser (D124) 50, 62
- 1/2" nominal sure grip flange (D128)



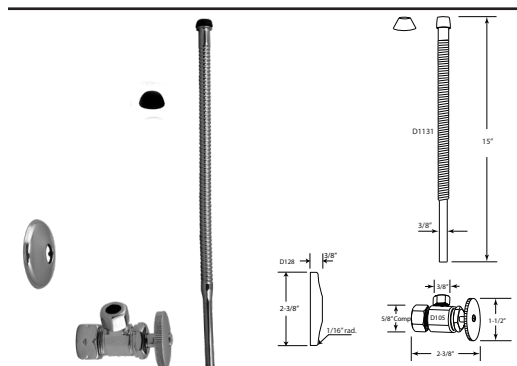
1/2" Nom. x 3/8" Bullnose Riser Faucet Kit - Round D105KBN-

- 1/2" nominal compression (5/8" OD) inlet 26 **113.70**
- 3/8" OD compression outlet 01, 05, **128.59**
- 2 ea. round handle compression stops (D105) 07, 12,
- 2 ea. 3/8" x 20" bullnose faucet risers (D120) 50, 62
- 2 ea. 1/2" nominal sure grip flanges (D128)



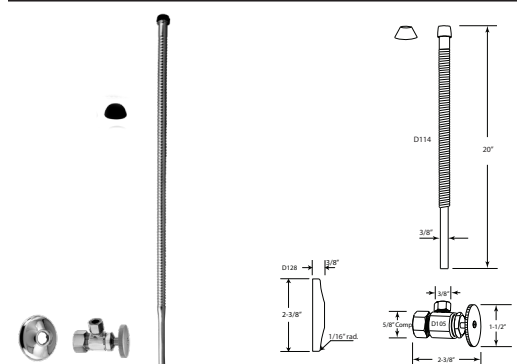
1/2" Nom. x 3/8" x 12" Corrugated Riser Kit - Round D105K12-

- 1/2" nominal compression (5/8" OD) inlet 26 **56.85**
- 3/8" OD compression outlet 01, 05, **78.51**
- Round handle compression stop (D105) 07, 12
- 3/8" x 12" corrugated riser (D113)
- Includes 1/2" and 7/8" cone washers
- Use for faucet or toilet
- 1/2" nominal sure grip flange (D128)



1/2" Nom. x 3/8" x 15" Corrugated Riser Kit - Round D105K15-

- 1/2" nominal compression (5/8" OD) inlet 26 **58.20**
- 3/8" OD compression outlet 01, 05, **79.86**
- Round handle compression stop (D105) 07, 12
- 3/8" x 15" corrugated riser (D1131)
- Includes 1/2" and 7/8" cone washers
- Use for faucet or toilet
- 1/2" nominal sure grip flange (D128)

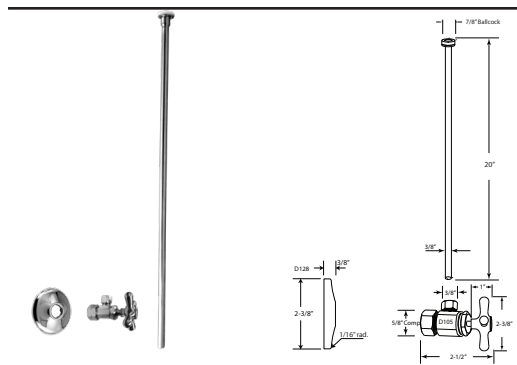


1/2" Nom. x 3/8" x 20" Corrugated Riser Kit - Round D105K20-

- 1/2" nominal compression (5/8" OD) inlet 26 **59.56**
- 3/8" OD compression outlet 01, 05, **81.21**
- Round handle compression stop (D105) 07, 12
- 3/8" x 20" corrugated riser (D114)
- Includes 1/2" and 7/8" cone washers
- Use for faucet or toilet
- 1/2" nominal sure grip flange (D128)

CROSS HANDLE COMPRESSION INLET ANGLE STOP KITS

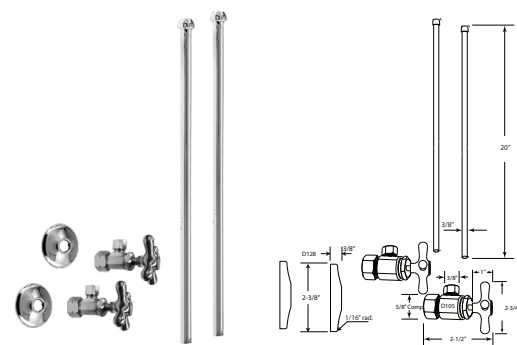
POLISHED BRASS (01 OR 03), POLISHED NICKEL (05), SATIN NICKEL (07), ANTIQUE COPPER (11), OIL RUBBED BRONZE (12), STAINLESS STEEL (20), POLISHED CHROME(26), WHITE (50), FLAT BLACK (62)



1/2" Nom. x 3/8" Flat Head Riser Toilet Kit - Cross

D105KFHX-

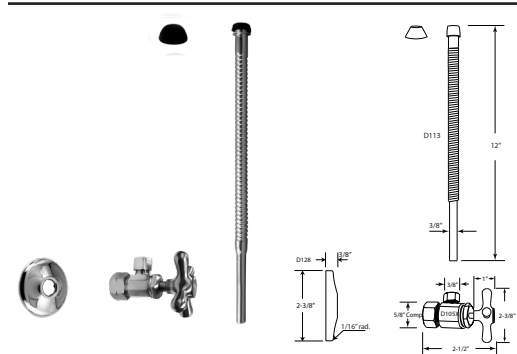
- 1/2" nominal compression (5/8" OD) inlet 26 **112.34**
- 3/8" OD compression outlet 01, 05, **140.77**
- Cross handle compression stop (D105X) 07, 12,
- 3/8" x 20" flat head toilet riser (D124) 50, 62
- 1/2" nominal sure grip flange (D128)



1/2" Nom. x 3/8" Bullnose Riser Faucet Kit - Cross

D105KBNX-

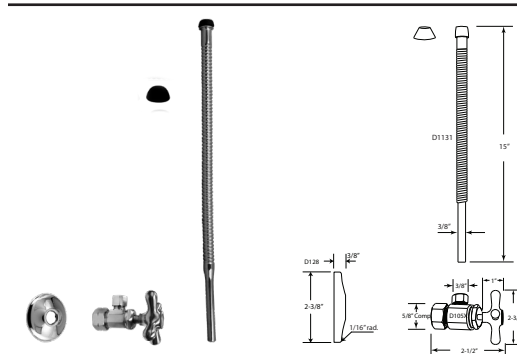
- 1/2" nominal compression (5/8" OD) inlet 26 **220.63**
- 3/8" OD compression outlet 01, 05, **282.89**
- 2 ea. cross handle compression stops (D105X) 07, 12,
- 2 ea. 3/8" x 20" bullnose faucet risers (D120) 50, 62
- 2 ea. 1/2" nominal sure grip flanges (D128)



1/2" Nom. x 3/8" x 12" Corrugated Riser Kit - Cross

D105K12X-

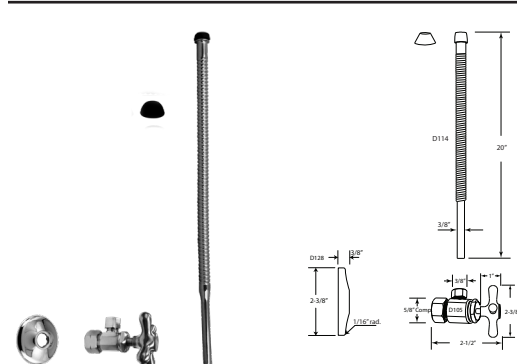
- 1/2" nominal compression (5/8" OD) inlet 26 **105.58**
- 3/8" OD compression outlet 01, 05, **148.89**
- Cross handle compression stop (D105X) 07, 12
- 3/8" x 12" corrugated riser (D113)
- Includes 1/2" and 7/8" cone washers
- Use for faucet or toilet
- 1/2" nominal sure grip flange (D128)



1/2" Nom. x 3/8" x 15" Corrugated Riser Kit - Cross

D105K15X-

- 1/2" nominal compression (5/8" OD) inlet 26 **106.93**
- 3/8" OD compression outlet 01, 05, **150.24**
- Cross handle compression stop (D105X) 07, 12
- 3/8" x 15" corrugated riser (D1131)
- Includes 1/2" and 7/8" cone washers
- Use for faucet or toilet
- 1/2" nominal sure grip flange (D128)



1/2" Nom. x 3/8" x 20" Corrugated Riser Kit - Cross

D105K20X-

- 1/2" nominal compression (5/8" OD) inlet 26 **108.28**
- 3/8" OD compression outlet 01, 05, **151.60**
- Cross handle compression stop (D105X) 07, 12
- 3/8" x 20" corrugated riser (D114)
- Includes 1/2" and 7/8" cone washers
- Use for faucet or toilet
- 1/2" nominal sure grip flange (D128)

PEDESTAL LAVATORY KITS

POLISHED BRASS (01 OR 03), POLISHED NICKEL (05), SATIN NICKEL (07), ANTIQUE COPPER (11), OIL RUBBED BRONZE (12), STAINLESS STEEL (20), POLISHED CHROME(26), WHITE (50), FLAT BLACK (62)



Round Handle Corrugated Pedestal Kit

D1538L-

- 2 ea. 1/2" nom. x 3/8" OD comp. stops (D105) 26 **259.88**
- 2 ea. 3/8" OD x 20" corrugated risers (D114) 01, 05, **368.17**
- 2 ea. faucet cone washers 07, 12
- 2 ea. thread-on faucet cone washers
- 2 ea. 5/8" ID sure grip brass flanges (D128)
- 1-1/2" x 1-1/2" or 1-1/4" P-trap & flange (D400-1)



Cross Handle LA Pedestal Kit

D1638L-

- 2 ea. 3/8" OD x 20" corrugated risers (D114) 26 **335.68**
- 2 ea. 5/8" ID sure grip brass flanges (D128) 01, 05, **425.01**
- 2 ea. 1/2" IPS sure grip brass flanges (D129) 07, 12
- 2 ea. 1/2" IPS x 3/8" OD comp. angle stops (D103X)
- 2 ea. 1/2" IPS x compression adapters
- 1-1/2" x 1-1/2" LA style P-trap (D402NE-1)



Cross Handle Victorian Pedestal Kit

D1738L-

- 2 ea. 3/8" OD x 20" corrugated risers (D114) 26 **335.68**
- 2 ea. 5/8" ID sure grip brass flanges (D128) 01, 05, **425.01**
- 2 ea. 1/2" IPS sure grip brass flanges (D129) 07, 12
- 2 ea. 1/2" IPS x 3/8" OD comp. angle stops (D103X)
- 2 ea. 1/2" IPS x compression adapters
- 1-1/2" x 1-1/2" or 1-1/4" P-trap & flange (D400-1)



Cross Handle Traditional Pedestal Kit

D1838L-

- 2 ea. 3/8" OD x 20" bullnose risers (D120) 26 **335.68**
- 2 ea. 5/8" ID sure grip brass flanges (D128) 01, 05, **425.01**
- 2 ea. 1/2" IPS sure grip brass flanges (D129) 07, 12, 50, 62
- 2 ea. 1/2" IPS x 3/8" OD comp. angle stops (D103X)
- 2 ea. 1/2" IPS x compression adapters
- 1-1/2" x 1-1/2" or 1-1/4" P-trap & flange (D400-1)



Cross Handle European Pedestal Kit

D1938L-

- 2 ea. 3/8" OD x 20" bullnose risers (D120) 26 **349.22**
- 2 ea. 5/8" ID sure grip brass flanges (D128) 01, 05, **445.32**
- 2 ea. 1/2" IPS sure grip brass flanges (D129) 07, 12, 62
- 2 ea. 1/2" IPS x 3/8" OD comp. angle stops (D103X)
- 2 ea. 1/2" IPS x compression adapters
- 1-1/4" x 1-1/4" European flat trap (D4053-1)

PEDESTAL LAVATORY KITS

POLISHED BRASS (01 OR 03), POLISHED NICKEL (05), SATIN NICKEL (07), ANTIQUE COPPER (11), OIL RUBBED BRONZE (12), STAINLESS STEEL (20), POLISHED CHROME(26), WHITE (50), FLAT BLACK (62)



European Iron Pipe Lever Handle Pedestal Kit D19103BLK-

- | | | |
|---|---------|---------------|
| • 2 ea. 3/8" OD x 20" bullnose risers (D120) | 26 | 266.43 |
| • 2 ea. 1/2" IPS sure grip brass flanges (D129) | 05, 07, | 298.53 |
| • 2 ea. 1/2" IPS x 3/8" OD 1/4-turn angle stops (103BL) | 12, 62 | |
| • 1-1/4" x 1-1/4" European flat trap (D4053-1) | | |



European Iron Pipe Cross Handle Pedestal Kit D19103BXX-

- | | | |
|--|---------|---------------|
| • 2 ea. 3/8" OD x 20" bullnose risers (D120) | 26 | 266.43 |
| • 2 ea. 1/2" IPS sure grip brass flanges (D129) | 05, 07, | 298.53 |
| • 2 ea. 1/2" IPS x 3/8" OD 1/4-turn angle stops (D103BX) | 12, 62 | |
| • 1-1/4" x 1-1/4" European flat trap (D4053-1) | | |



European Copper Lever Handle Pedestal Kit D19105BLK-

- | | | |
|--|---------|---------------|
| • 2 ea. 3/8" OD x 20" bullnose risers (D120) | 26 | 266.43 |
| • 2 ea. 5/8" sure grip brass flanges (D128) | 05, 07, | 298.53 |
| • 2 ea. 1/2" Copper x 3/8" OD 1/4-turn lever handle angle stops (D105BL) | 12, 62 | |
| • 1-1/4" x 1-1/4" European flat trap (D4053-1) | | |



European Copper Cross Handle Pedestal Kit D19105BXX-

- | | | |
|---|---------|---------------|
| • 2 ea. 3/8" OD x 20" bullnose risers (D120) | 26 | 266.43 |
| • 2 ea. 1/2" IPS sure grip brass flanges (D128) | 05, 07, | 298.53 |
| • 2 ea. 1/2" IPS x 3/8" OD 1/4-turn cross handle angle stops (D105BX) | 12, 62 | |
| • 1-1/4" x 1-1/4" European flat trap (D4053-1) | | |



1-1/4 x 1-1/4 Flat Trap Pedestal Kit D1938QRL-

- | | | |
|---|---------|---------------|
| • European low profile flat trap | 26 | 389.48 |
| • 1-1/4 in. x 1-1/4 in. OD cast brass trap | 01, 05, | 465.45 |
| • High box flange included | 07, 12, | |
| • 3/8 in. x 20 in. bullnose supply tubes | 62 | |
| • Ceramic disk copper compression angle stops | | |



1-1/2 x 1-1/2 P-Trap Pedestal Kit D1838QRL-

- | | | |
|---|---------|---------------|
| • 1/2 in. copper pipe (5/8 in. OD) | 26 | 298.53 |
| • 1-1/2 in. x 1-1/2 in. OD P-trap 17 ga. | 01, 05, | 373.43 |
| • High box flange included | 07, 12, | |
| • 3/8 in. x 20 in. bullnose supply tubes | 62 | |
| • Ceramic disk copper compression angle stops | | |

PEDESTAL LAVATORY KITS

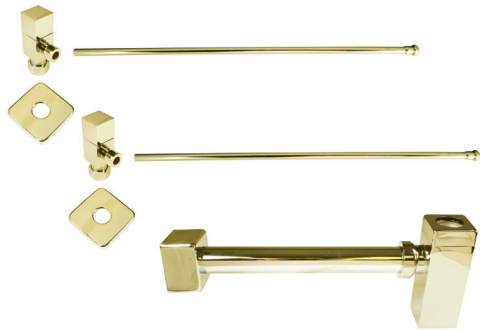
POLISHED BRASS (01 OR 03), POLISHED NICKEL (05), SATIN NICKEL (07), ANTIQUE COPPER (11), OIL RUBBED BRONZE (12), STAINLESS STEEL (20), POLISHED CHROME(26), WHITE (50), FLAT BLACK (62)



1-1/4 x 1-1/4 Round Trap Pedestal Kit

D1438QRL-

- | | | |
|---|---------|---------------|
| • European low profile flat trap | 26 | 448.33 |
| • 1-1/4 in. x 1-1/4 in. OD cast brass trap | 01, 05, | 529.65 |
| • High box flange included | 07, 12, | |
| • 3/8 in. x 20 in. bullnose supply tubes | 62 | |
| • Ceramic disk copper compression angle stops | | |



1-1/4 x 1-1/4 Square Trap Pedestal Kit

D1338QSL-

- | | | |
|---|---------|---------------|
| • European low profile flat trap | 26 | 512.53 |
| • 1-1/4 in. x 1-1/4 in. OD cast brass trap | 01, 05, | 610.97 |
| • High box flange included | 07, 12, | |
| • 3/8 in. x 20 in. bullnose supply tubes | 62 | |
| • Ceramic disk copper compression angle stops | | |



1-1/4 x 1-1/4 Flat P-Trap

D4053-1-

- | | | |
|--|---------|---------------|
| • European low profile flat trap | 26 | 255.73 |
| • 1-1/4 in. x 1-1/4 in. OD cast brass trap | 01, 05, | 287.83 |
| • High box flange included | 07, 12, | |
| • | 62 | |



1-1/4 x 1-1/4 Round Trap with Cleanout

D4054R-1-

- | | | |
|------------------------------------|---------|---------------|
| • Cylindrical trap | 26 | 255.73 |
| • 1-1/4 in. x 1-1/4 in. OD tubular | 01, 05, | 287.83 |
| • Low flange flange included | 07, 12, | |
| • Cast brass trap | 62 | |
| • 17 ga. brass tube | | |
| • Cleanout port in trap bottom | | |



1-1/4 x 1-1/4 Square P-Trap with Flange

D4054S-1-

- | | | |
|--|---------|---------------|
| • European square profile flat trap | 26 | 298.53 |
| • 1-1/4 in. x 1-1/4 in. OD cast brass trap | 01, 05, | 319.93 |
| • Matching square flange included | 07, 12, | |
| • 17 ga. brass tubing | 62 | |

P-TRAPS WITH BOX FLANGES

POLISHED BRASS (01 OR 03), POLISHED NICKEL (05), SATIN NICKEL (07), ANTIQUE COPPER (11), OIL RUBBED BRONZE (12), STAINLESS STEEL (20), POLISHED CHROME(26), WHITE (50), FLAT BLACK (62)



1-1/2" x 1-1/2" P-Trap with Box Flange

D400-1-

- | | | |
|---------------------------------|---------|---------------|
| • Standard P-trap with flange | 26 | 112.34 |
| • 1-1/2" x 1-1/2" | 01, 05, | 140.77 |
| • D409 high box flange included | 07, 12, | |
| • 17 gauge brass | 62 | |
| • Slip joint nuts included | | |



1-1/4" x 1-1/4" P-Trap with Box Flange

D401-1-

- | | | |
|----------------------------------|---------|---------------|
| • Standard P-trap with flange | 26 | 112.34 |
| • 1-1/4" x 1-1/4" | 01, 05, | 140.77 |
| • D4091 high box flange included | 07, 12, | |
| • 17 gauge brass | 62 | |
| • Slip joint nuts included | | |



1-1/2" x 1-1/2" or 1-1/4" P-Trap for PVC or ABS

D402NE-1-

- | | | |
|---|---------|---------------|
| • New England style P-trap | 26 | 121.82 |
| • For use with ABS or PVC drain, waste & vent | 01, 05, | 154.30 |
| • 1-1/2" x 1-1/2" or 1-1/4" J-bend | 07, 12, | |
| • 6" cover tube, D4094 high box flange | 50, 62 | |
| • Sch. 40 1-1/2" PVC male adapter included | | |
| • Brass | | |



LA Code 1-1/2 in. Trap & Waste Ell

D402LA-

- | | | |
|---|-----|--------------|
| • New England style P-trap | RAW | 43.31 |
| • Ground joint trap adapter | 26 | 56.85 |
| • 1-1/2" x 1-1/2" J-bend | | |
| • 1-1/2 in. FIP inlet | | |
| • Cast brass with brass slip joint nuts | | |



LA Code 1-1/2 in. x 1-1/4 in. Trap & Waste Ell

D403LA-

- | | | |
|---|-----|--------------|
| • New England style P-trap | RAW | 43.31 |
| • Ground joint trap adapter | 26 | 56.85 |
| • 1-1/2" x 1-1/4" J-bend | | |
| • 1-1/2 in. FIP inlet | | |
| • Cast brass with brass slip joint nuts | | |



1-1/2" x 1-1/2" Ground Joint P-Trap & Flange

D400G- (502800G)

- | | | |
|--|--------|--------------|
| • Ground joint P-trap with bell flange | -RAW | 39.25 |
| • 1-1/2" x 1-1/2" 17 gauge brass | -26 | 50.08 |
| • Brass slip joint nuts included | Chrome | |

CONSTRUCTION ACCESSORIES

POLISHED BRASS (01 OR 03), POLISHED NICKEL (05), SATIN NICKEL (07), ANTIQUE COPPER (11), OIL RUBBED BRONZE (12), STAINLESS STEEL (20), POLISHED CHROME(26), WHITE (50), FLAT BLACK (62)



1-1/2 x 1-1/2 or 1-1/4 P-Trap Corrosion Proof

D401-PF-

- Corrosion resistant ABS construction -26 **29.00**
- 1-1/2" x 1-1/2" or 1-1/4 with poly washer 01, 07, 12 **39.00**
- Lustrous exterior finish
- Color matched slip joint nuts & escutcheon
- Great for decorative sinks at a bargain price



1-1/2" Female Desanko Fitting

112FDF Female End

112MDF Male End

- 1-1/2 Cast brass trap adapter fitting Rough **18.95**
- Brass ferrule and nut included Brass



1-1/2" 2-Part Continuous Waste LA Code

D430- (549800)

- Side outlet waste fitting -RAW **54.14**
- 1-1/2" x 1-1/2" -26 **62.26**
- 17 gauge brass Chrome
- Brass slip joint nuts & poly washers included



1-1/2" Slip Joint Wye w/ 7/8" Branch

D432- 1-1/2" Slip Joint (705820) -RAW **24.36**

Chrome -26 **28.42**

D422T-26 1-1/4" Thread One End -26 **28.42**

Chrome Only

- 7/8" brass branch 20 gauge brass tube



1-1/2" x 16" Double End Slip Joint Extension

D42116- 1-1/4" RAW **37.90** CHROME **46.02**

D42316- 1-1/2" (796962B or 584850) **37.90** **46.02**

- Cut length to fit
- 17 gauge brass tube
- Brass slip joint nuts & poly washers included



1-1/2" x 16" Flanged Tailpiece Extensions

D416- 1-1/2 x 8 RAW **23.01** CHROME **32.49**

D417- 1-1/2 x 12 **24.36** **37.90**

D4171- 1-1/2 x 16 Double End **39.25** **43.31**

- Cut length to fit - 17 gauge brass tube

1/4-Turn Angle Stop, 5/8" OD - Lever Handle

KTCR19XC

- 5/8" compression (1/2" Nominal Copper Pipe) Chrome **35.19**
- Domestic quarter turn stop
- 3/8" compression Outlet
- Precision machined brass ball with PTFE seats
- UPC and IAPMO approved
- NSF-61 AB 1953 approved



1/4-Turn Angle Stop, 5/8" OD - Lever Handle

G2CR19XC

- 5/8" compression (1/2" Nominal Copper Pipe) Chrome **25.72**
- Domestic quarter turn stop
- 3/8" compression Outlet
- UPC and IAPMO approved
- NSF-61 AB 1953 approved



1/2" Copper x 3/8" Comp. Angle Stop

I3341

- 5/8" compression (1/2" Nominal Copper Pipe) Chrome **23.01**
- Imported quarter turn stop
- 3/8" compression Outlet
- UPC and IAPMO approved
- NSF-61 AB 1953 approved



PEX Angle Stops

SSP42A-G PEX x 1/4" Comp. Chrome **11.77**

SSP43A-G PEX x 3/8" Comp. Chrome **11.77**

- 1/2" insert inlet
- Chrome plated brass
- 1/4-Turn oval handle
- cUPC and NSF-61 certified



Push Fit Angle Stops

SSPF42A-G 1/2" x 1/4" Comp. Chrome **17.12**

SSPF43A-G 1/2" x 3/8" Comp. Chrome **17.12**

- 1/2" push fit for Copper, CPVC or PEX
- Chrome plated brass
- 1/4-Turn lever handle
- cUPC and NSF-61 certified

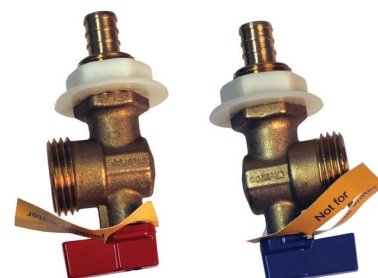


PEX 3/4" Hose Washing Machine Valves

211-44046 PEX COLD Handle Rough **21.66**

211-44146 PEX HOT Handle Rough **21.66**

- 1/2" Insert inlet
- Rough brass - not for potable water
- 1/4-Turn lever handle
- cUPC and NSF-7 certified

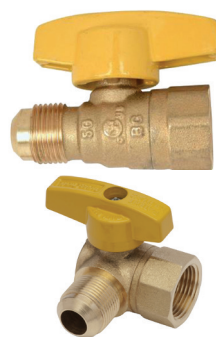


GAS VALVES AND SUPPLY LINES

POLISHED BRASS (01 OR 03), POLISHED NICKEL (05), SATIN NICKEL (07), ANTIQUE COPPER (11), OIL RUBBED BRONZE (12), STAINLESS STEEL (20), POLISHED CHROME(26), WHITE (50), FLAT BLACK (62)

1/4-Turn Gas Valve Straight Stop Forged Brass

3812GV	3/8 Flare x 1/2 FIP	13.54
1212GV	1/2 Flare x 1/2 FIP	13.54
5834GV	15/16 Flare x 3/4 FIP	25.72

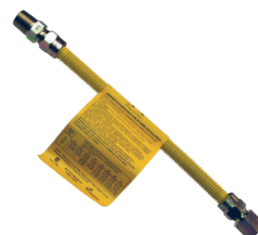


1/4-Turn Gas Valve Angled Stop

3812AGV	3/8 Flare x 1/2 FIP	20.30
1212AGV	1/2 Flare x 1/2 FIP	25.72
5834AGV	15/16 Flare x 3/4 FIP	31.13

3/8" Diameter Gas Flex Coated Dryer Lines

3812GC	3/8" x 12"	18.95
3818GC	3/8" x 18"	21.66
3824GC	3/8" x 24"	23.01
3830GC	3/8" x 30"	27.07
3836GC	3/8" x 36"	31.13
3848GC	3/8" x 48"	33.84
3860GC	3/8" x 60"	37.60
3872GC	3/8" x 72"	40.61



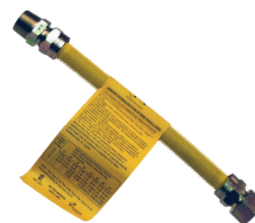
1/2" Diameter Gas Flex Water Heater Lines

1212GC	1/2" x 12"	20.30
1218GC	1/2" x 18"	24.36
1224GC	1/2" x 24"	27.07
1230GC	1/2" x 30"	29.78
1236GC	1/2" x 36"	32.49
1248GC	1/2" x 48"	39.25
1260GC	1/2" x 60"	44.67
1272GC	1/2" x 72"	52.79



5/8" Diameter Gas Flex Coated Range/Stove Lines

5818GC	15/16" x 18"	DISC
5824GC	15/16 x 24"	33.84
5830GC	15/16 x 30"	35.19
5836GC	15/16 x 36"	40.61
5848GC	15/16 x 48"	48.73
5860GC	15/16 x 60"	55.50
5872GC	15/16 x 72"	63.62



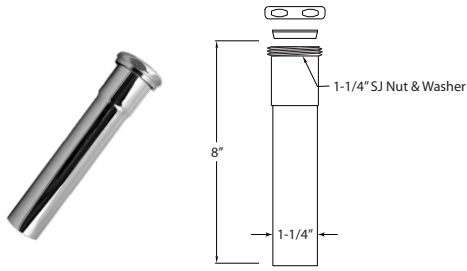
1" Diameter Gas Flex Tankless Water Heater Lines

118GC	1" x 18"	53.13
124GC	1" x 24"	64.97
130GC	1" x 30"	73.09
136GC	1" x 36"	79.86
148GC	1" x 48"	94.75



TUBULAR DRAIN PRODUCTS

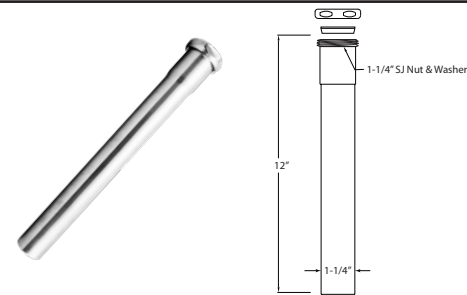
POLISHED BRASS (01 OR 03), POLISHED NICKEL (05), SATIN NICKEL (07), ANTIQUE COPPER (11), OIL RUBBED BRONZE (12), STAINLESS STEEL (20), POLISHED CHROME(26), WHITE (50), FLAT BLACK (62)



1-1/4" X 8" OD Slip Joint Extension Tube

D420-

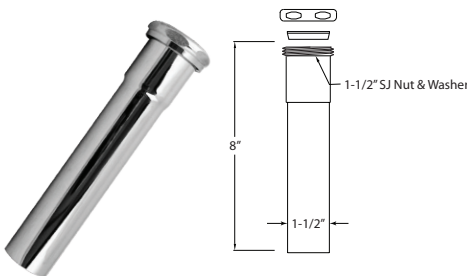
• 1-1/4" OD Tubular	26	52.78
• 8" Long		
• Slip Joint Nut and Washer	03, 05,	79.85
• Solid Brass	07, 12,	
• All exposed style	20, 50,	
• 17 gauge tube	62	



1-1/4" X 12" OD Slip Joint Extension Tube

D421-

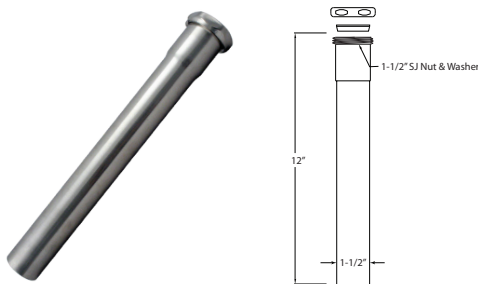
• 1-1/4" OD Tubular	26	55.50
• 12" Long		
• Slip Joint Nut and Washer	03, 05,	83.92
• Solid Brass	07, 12,	
• All exposed style	20, 50,	
• 17 gauge tube	62	



1-1/2" X 8" Finished Extension

D422-

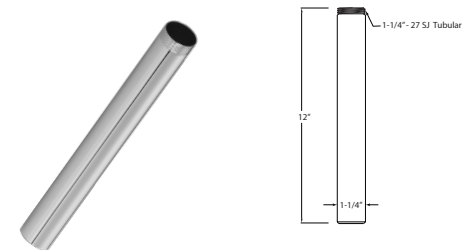
• 1-1/2" OD Tubular	26	52.79
• 8" Long		
• Slip Joint Nut and Washer	03, 05,	79.85
• Solid Brass	07, 12,	
• All exposed style	20, 50,	
• 17 gauge tube	62	



1-1/2" X 12" Finished Extension

D423-

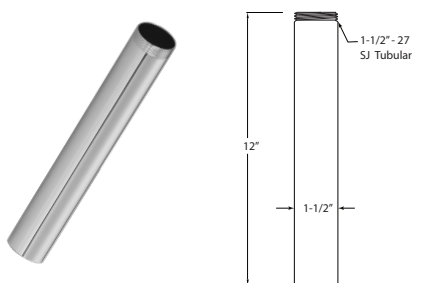
• 1-1/2" OD Tubular	26	55.50
• 12" Long		
• Slip Joint Nut and Washer	03, 05,	83.92
• Solid Brass	07, 12,	
• All exposed style	20, 50,	
• 17 gauge tube	62	



1-1/4" OD x 12" Tailpiece

D419-

• Tailpiece with both ends threaded	26	50.08
• 1-1/4" OD tubing	03 05, 07,	75.80
• 12" length	12, 50, 62	
• Brass		



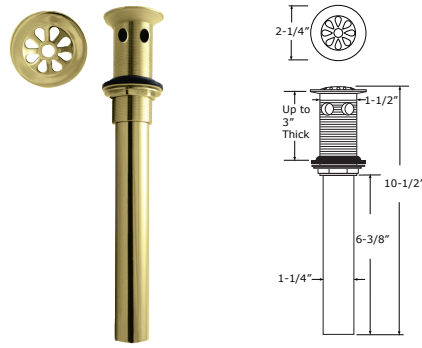
1-1/2" OD x 12" Tailpiece

D41912-

• Tailpiece with threaded end	26	50.08
• 1-1/2" OD tubing	03, 05, 07,	75.80
• 12" length	12, 50, 62	
• Brass		
	RAW	

LAVATORY SINK DRAINS

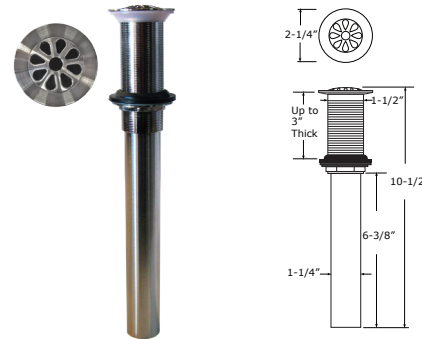
POLISHED BRASS (01 OR 03), POLISHED NICKEL (05), SATIN NICKEL (07), ANTIQUE COPPER (11), OIL RUBBED BRONZE (12), STAINLESS STEEL (20), POLISHED CHROME(26), WHITE (50), FLAT BLACK (62)



High-Flow Grid Drain with Overflow Holes

D411A-

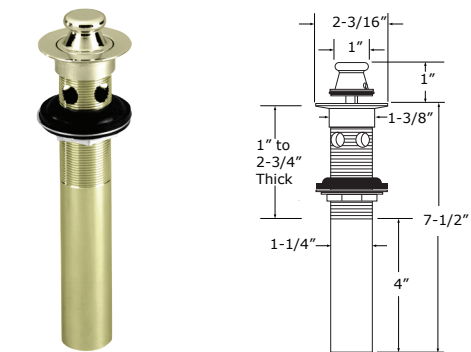
- Rapid draining raised grid design
 - **Fully finished for exposed installation**
 - With overflow holes
 - Fits 1-1/2" opening with 1-1/4" tailpiece
 - 3-1/2" threading for thick sinks
 - Brass construction
- | | |
|---------------------------|---------------|
| 26 | 110.99 |
| 01, 05, 07,
12, 50, 62 | 163.78 |



High-Flow Grid Drain, No Overflow Holes

D411A-1-

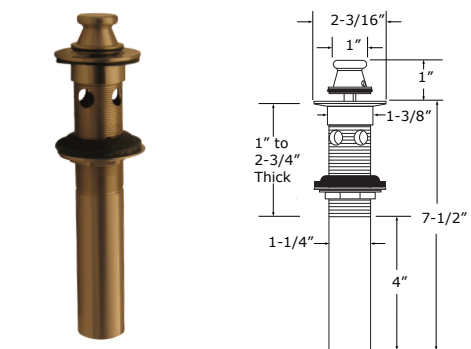
- Rapid draining raised grid design
 - **Fully finished for exposed installation**
 - Without overflow holes
 - Fits 1-1/2" opening with 1-1/4" tailpiece
 - 3-1/2" threading for thick sinks
 - Brass construction
- | | |
|---------------------------|---------------|
| 26 | 110.99 |
| 01, 05, 07,
12, 50, 62 | 163.78 |



Lift & Turn Lav Drain with Overflow Holes

D410-

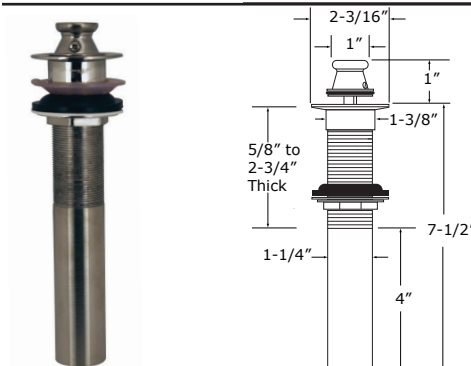
- Lift & turn lavatory drain
 - Unfinished body for below counter installation
 - With overflow holes
 - Fits 1-1/2" opening with 1-1/4" tailpiece
 - Use D410SP for thin sink applications
 - Brass construction
- | | |
|---------------------------|---------------|
| 26 | 90.69 |
| 01, 05, 07,
12, 50, 62 | 124.53 |



Lift & Turn Lav Drain with Overflow Holes

D410-2-

- Lift & turn lavatory drain
 - **Fully finished for exposed installation**
 - With overflow holes
 - Fits 1-1/2" opening with 1-1/4" tailpiece
 - Use D410SP for thin sink applications
 - Brass construction
- | | |
|---------------------------|---------------|
| 26 | 125.88 |
| 01, 05, 07,
12, 50, 62 | 154.30 |



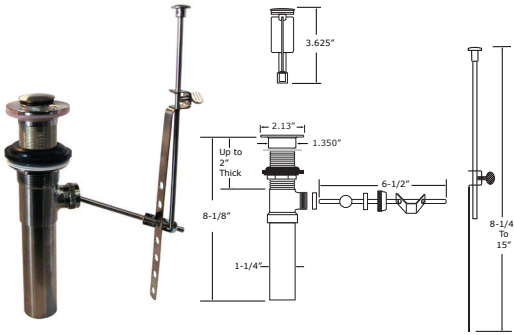
Lift & Turn Lav Drain, No Overflow Holes

D410-12-

- Lift & turn lavatory drain
 - **Fully finished for exposed installation**
 - Without overflow holes
 - Fits 1-1/2" opening with 1-1/4" tailpiece
 - Use D410SP for thin sink applications
 - Brass construction
- | | |
|---------------------------|---------------|
| 26 | 125.88 |
| 01, 05, 07,
12, 50, 62 | 154.30 |

LAVATORY SINK DRAINS

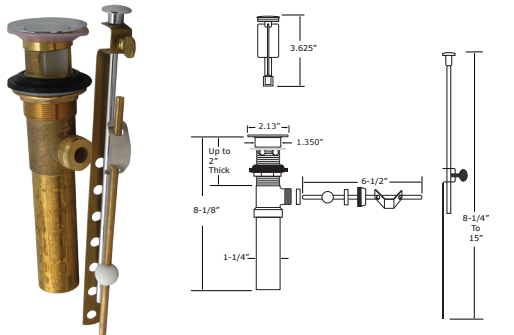
POLISHED BRASS (01 OR 03), POLISHED NICKEL (05), SATIN NICKEL (07), ANTIQUE COPPER (11), OIL RUBBED BRONZE (12), STAINLESS STEEL (20), POLISHED CHROME(26), WHITE (50), FLAT BLACK (62)



Pop-up Lav Drain No Overflow Holes

D412-12-

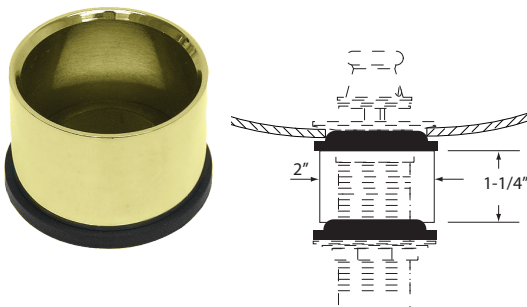
- Pop-up style lavatory drain 26 **163.78**
- **Fully finished for exposed installation** 03, 05, 07, **177.32**
- Strap, horizontal rod, and lift rod included 12, 50, 62
- Without overflow holes
- Fits 1-1/2" opening with 1-1/4" tailpiece
- Brass construction



Pop-up Lav Drain with Overflow Holes

D412-2-

- Pop-up style lavatory drain 26 **108.28**
- **Fully finished for exposed installation** 03, 05, 07, **124.53**
- Strap, horizontal rod, and lift rod included 12, 50, 62
- With overflow holes
- Fits 1-1/2" opening with 1-1/4" tailpiece
- Brass construction



Mounting Spacer for Thin Sinks

D410SP-

- Lavatory spacer kit for thin sinks 26 **33.84**
- Use with D410, D411, and D412 series 01, 05, 07, **47.37**
- Do not use with D410A, E or Z series 12, 50, 62
- Includes mack basin gasket
- Finished brass

Grid Strainer Lav Drain, No Overflow Holes

D411-12-

- Grid style lavatory drain 26 **98.81**
- 19 hole grid 01, 05, 07, **140.77**
- **Fully finished for exposed installation** 12, 50, 62
- Without overflow holes
- Fits 1-1/2" opening with 1-1/4" tailpiece
- Brass construction

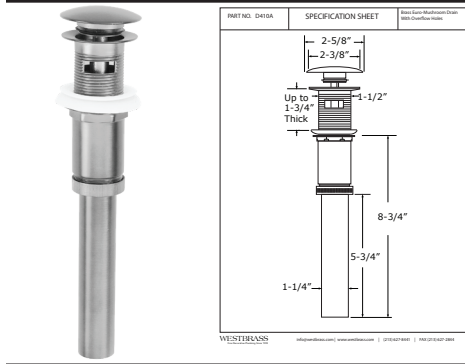
Grid Strainer Lav Drain with Overflow Holes

D411-2-

- Grid style lavatory drain 26 **98.81**
- 19 hole grid 01, 05, 07, **140.77**
- **Fully finished for exposed installation** 12, 50, 62
- With overflow holes
- Fits 1-1/2" opening with 1-1/4" tailpiece
- Brass construction

LAVATORY SINK DRAINS

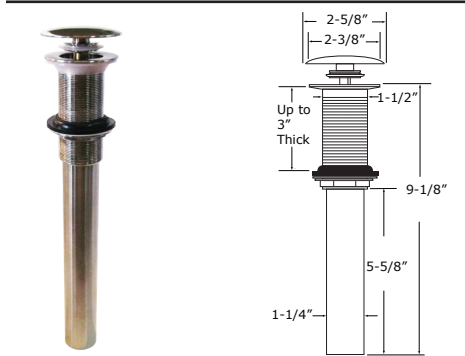
POLISHED BRASS (01 OR 03), POLISHED NICKEL (05), SATIN NICKEL (07), ANTIQUE COPPER (11), OIL RUBBED BRONZE (12), STAINLESS STEEL (20), POLISHED CHROME(26), WHITE (50), FLAT BLACK (62)



Euro Mushroom Lav Drain with Overflow

D410A-

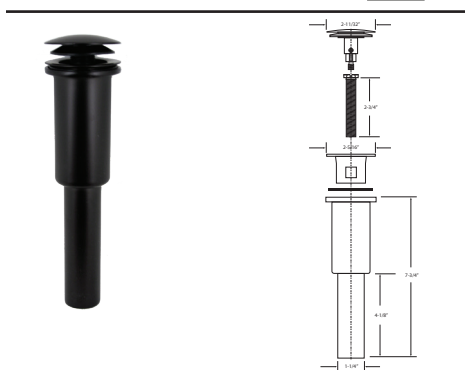
- European mushroom push-down lavatory drain 26 **128.59**
- Push in stopper to seal water 01, 05, 07, **134.00**
- **Fully finished for exposed installation** 12, 50, 62
- With overflow holes
- Fits 1-1/2" opening with 1-1/4" tailpiece
- Brass construction



Euro Mushroom Lav Drain, No Overflow

D410A-1-

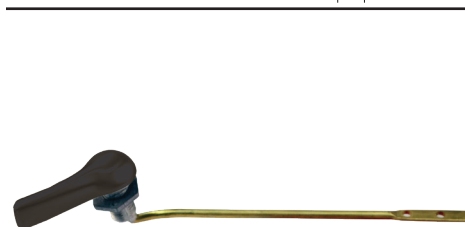
- European mushroom push-down lavatory drain 26 **128.59**
- Push in stopper to seal water 01, 05, 07, **134.00**
- **Fully finished for exposed installation** 12, 50, 62
- Without overflow holes
- Fits 1-1/2" opening with 1-1/4" tailpiece
- Brass construction



Universal Umbrella Lav Drain

D410E-

- European umbrella push-down stopper 26 **157.01**
- **Fully finished for exposed installation** 01, 05, 07, **234.16**
- Fits extra-thin sheet metal sinks 12, 50, 62
- Fits sinks up to 2-3/4" thick
- Fits 1-1/2" to 1-5/8" opening
- Uses 1-1/4" tailpiece
- Heavy brass construction



Front Mount Index Trip Lever

D4142-

- Heavy brass Index rod 26 **12.19**
- Zinc lever housing with metal nut 01, 07, 12, **28.43**
- 50, 62



Economy Front Mount Index Trip Lever

815-DN

- Metal Housing and Nut 26 **942.50**

815-D

- Plastic Housing and Nut 26 only **872.50**



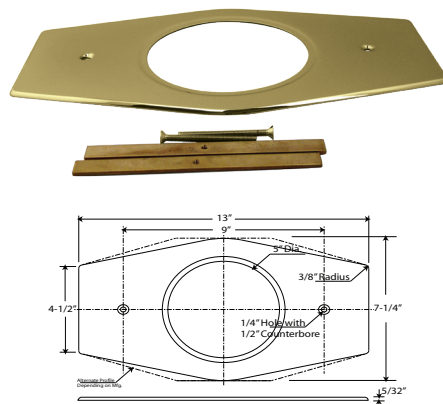
TUB AND SHOWER WALL COVER TRIMS

POLISHED BRASS (01 OR 03), POLISHED NICKEL (05), SATIN NICKEL (07), ANTIQUE COPPER (11), OIL RUBBED BRONZE (12), STAINLESS STEEL (20), POLISHED CHROME(26), WHITE (50), FLAT BLACK (62)

1-Hole Remodel Plate for Moen and Delta

D502-

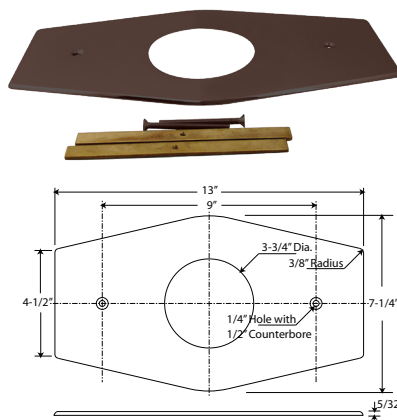
- | | | |
|--|-------------|---------------|
| • 1-hole remodel plate | 26 | 66.32 |
| • Fits Moen and Delta single handle valves | 03, 05, 07, | 134.00 |
| • Includes two screws and mounting bars | 12, 50, 62, | |
| • 13" overall width | | |
| • 7-1/2" at tallest point | | |
| • 9-1/2" screw-to-screw | | |
| • 5-1/2" diameter hole | | |



1-Hole Remodel Plate for Mixet

D503-

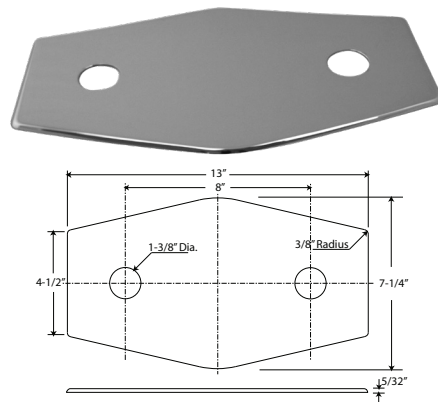
- | | | |
|---|-------------|---------------|
| • 1-hole remodel plate | 26 | 66.32 |
| • Fits Mixet only | 03, 05, 07, | 134.00 |
| • Includes two screws and mounting bars | 12, 50, 62 | |
| • 13" overall width | | |
| • 7-1/2" at tallest point | | |
| • 9-1/2" screw-to-screw | | |
| • 3-3/4" diameter hole | | |



2-Hole Remodel Plate

D504-

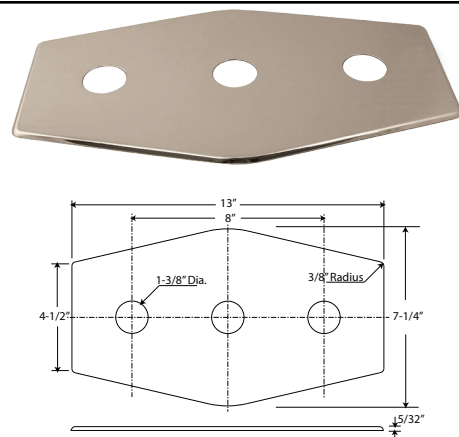
- | | | |
|--------------------------------|-------------|---------------|
| • 2-hole remodel plate | 26 | 66.32 |
| • Fits two valve unit | 03, 05, 07, | 134.00 |
| • 13" overall width | 12, 50, 62 | |
| • 7-1/2" at tallest point | | |
| • 1-1/2" diameter holes | | |
| • 8" center to center of holes | | |



3-Hole Remodel Plate

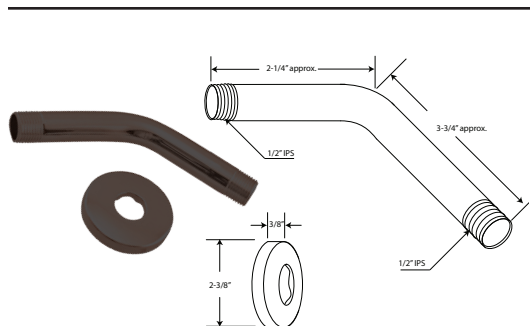
D505-

- | | | |
|--|-------------|---------------|
| • 3-hole remodel plate | 26 | 66.32 |
| • Fits three valve unit with diverter | 03, 05, 07, | 134.00 |
| • 13" overall width | 12, 50, 62 | |
| • 7-1/2" at tallest point | | |
| • 1-1/2" diameter holes | | |
| • 8" center to center of outside holes | | |



SHOWER ARMS WITH FLANGES

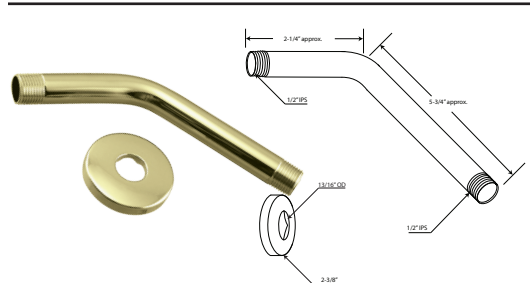
POLISHED BRASS (01 OR 03), POLISHED NICKEL (05), SATIN NICKEL (07), ANTIQUE COPPER (11), OIL RUBBED BRONZE (12), STAINLESS STEEL (20), POLISHED CHROME(26), WHITE (50), FLAT BLACK (62)



1/2" x 6" Shower Arm with Sure Grip Flange

D300-1-

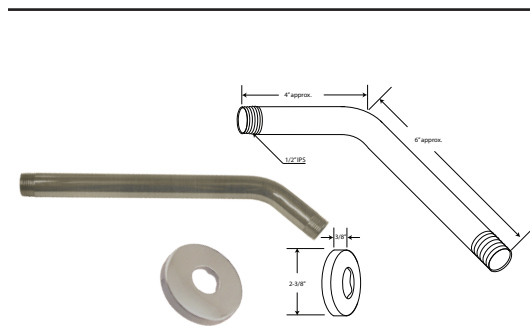
- Wall mounted 6" shower arm with flange 26 **27.07**
- 2-1/2" diameter sure grip flange (D304) 01, 05, 07, **37.90**
- 1/2" IPS inlet and outlet 12, 50, 62
- 6" length arm
- Lead-free brass



1/2" x 8" Shower Arm with Sure Grip Flange

D301-1-

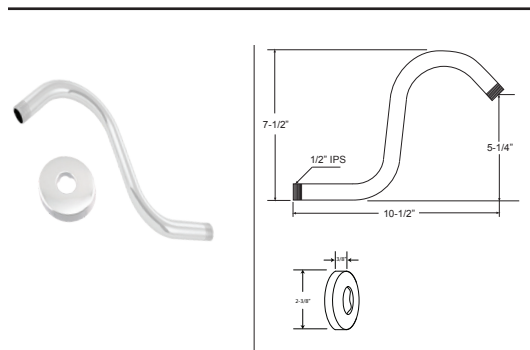
- Wall mounted 8" shower arm with flange 26 **32.49**
- 2-1/2" diameter sure grip flange (D304) 01, 05, 07, **43.31**
- 1/2" IPS inlet and outlet 12, 50, 62
- 8" length arm
- Lead-free brass



1/2" x 10" Shower Arm with Sure Grip Flange

D302-1-

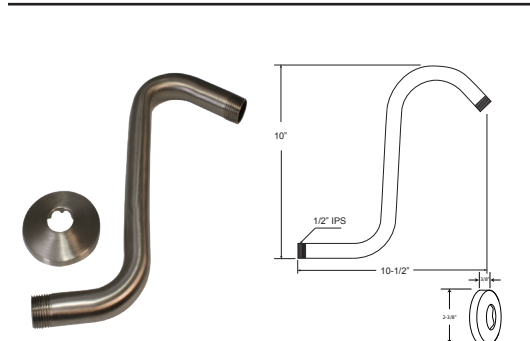
- Wall mounted 10" shower arm with flange 26 **37.90**
- 2-1/2" diameter sure grip flange (D304) 01, 05, 07, **50.08**
- 1/2" IPS inlet and outlet 12, 50, 62
- 10" length arm
- Lead-free brass



1/2" x 8" S-Shower Arm with Sure Grip Flange

D303-81-

- Wall mounted "S" shaped shower arm with flange 26 **90.69**
- 2-1/2" diameter sure grip flange (D304) 01, 05, 07, **115.05**
- 1/2" IPS inlet and outlet 12, 50, 62
- Arm raises shower head 8"
- Lead-free brass



1/2" x 10" S-Shower Arm with Sure Grip Flange

D3031-

- Wall mounted "S" shaped shower arm with flange 26 **90.69**
- 2-1/2" diameter sure grip flange (D304) 01, 05, 07, **115.05**
- 1/2" IPS inlet and outlet 12, 50, 62
- Arm raises shower head 10"
- Lead-free brass

90° RAIN SHOWER ARMS

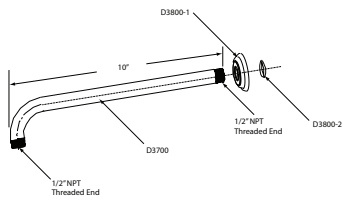
POLISHED BRASS (01 OR 03), POLISHED NICKEL (05), SATIN NICKEL (07), ANTIQUE COPPER (11), OIL RUBBED BRONZE (12), STAINLESS STEEL (20), POLISHED CHROME(26), WHITE (50), FLAT BLACK (62)

1/2" x 10" 90° Rain Shower Arm & Flange

D3700-1- (formerly D3710)



- Wall mounted 90-degree rain shower arm with decorative flange 26 **83.92**
- 1/2" male IPS inlet and outlet 01, 05, 07, **110.99**
- 10" length arm 12
- Heavy duty decorative flange included (D3800)
- Lead-free brass

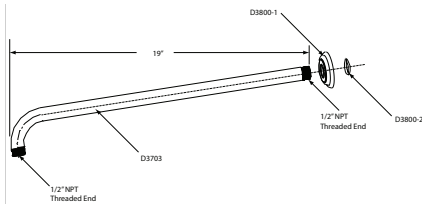


1/2" x 19" 90° Rain Shower Arm & Flange

D3703-1- (formerly D3719)



- Wall mounted 90-degree rain shower arm with decorative flange 26 **127.23**
- 1/2" male IPS inlet and outlet 01, 05, 07, **184.08**
- 19" length arm 12
- Heavy duty decorative flange included (D3800)
- Lead-free brass

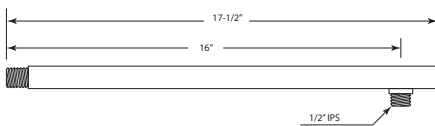


1/2" x 16" Round 90° Rain Shower Arm & Flange

D3711-



- Wall mounted 90-degree rain shower arm 26 **121.82**
- Round decorative flange 07 **169.19**
- 1/2" male IPS inlet and outlet
- 16" to outlet
- 17-1/2" overall length
- Round escutcheon included

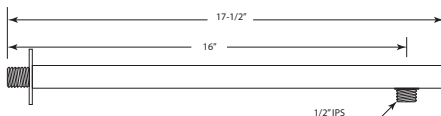


1/2" x 16" Square 90° Rain Shower Arm & Flange

D3712-

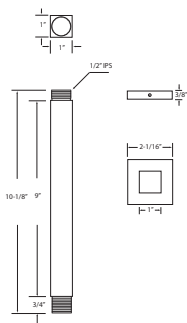


- Wall mounted 90-degree rain shower arm 26 **178.67**
- Square decorative flange 07 **220.63**
- 1/2" male IPS inlet and outlet
- 16" to outlet
- 17-1/2" overall length
- Square escutcheon included



CEILING SHOWER ARMS & FLANGES

POLISHED BRASS (01 OR 03), POLISHED NICKEL (05), SATIN NICKEL (07), ANTIQUE COPPER (11), OIL RUBBED BRONZE (12), STAINLESS STEEL (20), POLISHED CHROME(26), WHITE (50), FLAT BLACK (62)

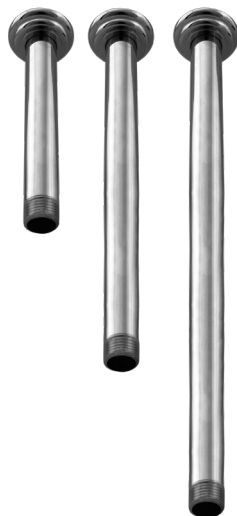


Square Ceiling Shower Arm & Flange

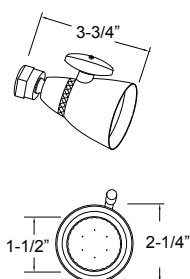
D3609S-

- | | | |
|--|-------------|---------------|
| • 9 in. long square ceiling shower arm | 26 | 100.16 |
| • 1/2 in. male IPS inlet and outlet | 01, 05, 07, | 128.59 |
| • 1 in. square tube | 12, 62 | |
| • Matching square shower flange | | |
| • Lead-free brass shower arm | | |

1/2" Ceiling Arms with Heavy Duty Flanges



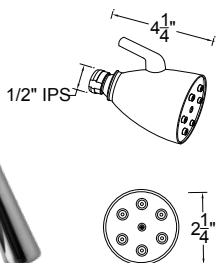
- | | | | |
|----------------|---------------------------------------|---------------|---------------------------|
| | | 26 | 01, 05, 07,
12, 50, 62 |
| D3604A- | 1/2" x 4" ceiling arm & D3800 flange | 46.02 | 74.45 |
| D3606A- | 1/2" x 6" ceiling arm & D3800 flange | 54.14 | 93.39 |
| D3608A | 1/2" x 8" ceiling arm & D3800 flange | 67.68 | 128.59 |
| D3612A- | 1/2" x 12" ceiling arm & D3800 flange | 81.21 | 110.99 |
| D3619A- | 1/2" x 19" ceiling arm & D3800 flange | 134.00 | 198.97 |
| D3624A- | 1/2" x 24" ceiling arm & D3800 flange | 196.26 | 212.51 |
| D3636A- | 1/2" x 36" ceiling arm & D3800 flange | 226.04 | 250.41 |
| D3648A- | 1/2" x 48" ceiling arm & D3800 flange | 319.44 | 412.83 |



Chatham Style 2-1/4" Diameter Shower Head

D306-

- | | | |
|--|-------------|--------------|
| • Chatham style small spray diverter shower head | 26 | 60.91 |
| • 2-1/4" diameter | 01, 05, 06, | 79.86 |
| • 1/2" IPS inlet with pivot | 07, 12, 50, | |
| • 6 spray holes and 1-1/2" spray ring | 62 | |
| • 2.5 gallons per minute restrictor | | |



Adjustable Style 6-Jet Shower Head

D308-

- | | | |
|--|-------------|---------------|
| • Medium spray diverter shower head | 26 | 142.12 |
| • 2-1/4" diameter | 01, 05, 07, | 263.94 |
| • 1/2" IPS inlet with pivot | 12 | |
| • 6 spray jets | | |
| • 2.5 gallons per minute with restrictor | | |
| • Adjusts from full spray to narrow stream | | |
| • Replaceable nozzles | | |

BATHROOM FAUCETS

POLISHED BRASS (01 OR 03), POLISHED NICKEL (05), SATIN NICKEL (07), ANTIQUE COPPER (11), OIL RUBBED BRONZE (12), STAINLESS STEEL (20), POLISHED CHROME(26), WHITE (50), FLAT BLACK (62)

Hi-Arc 4" Centerset Lavatory Faucet

WAS00X-

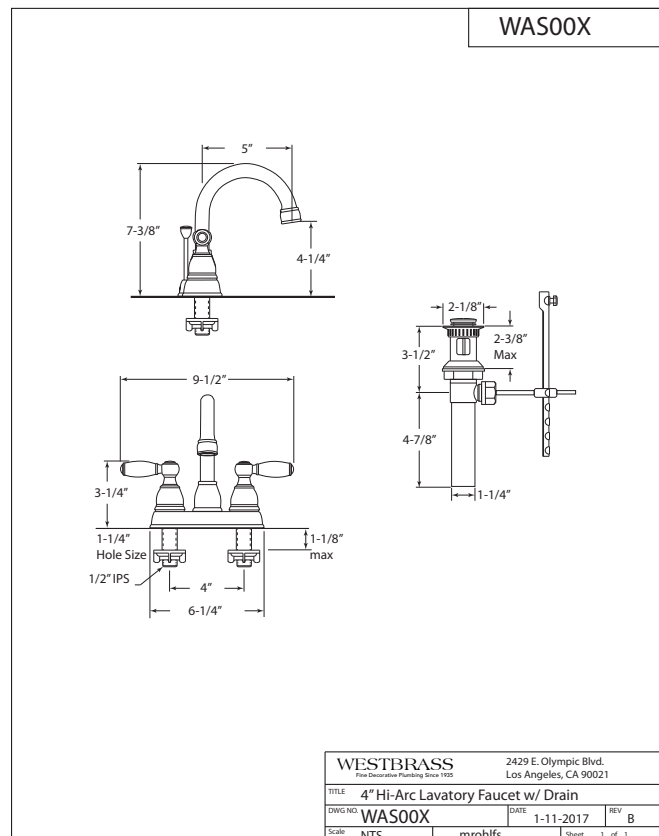
- Ergonomic blade handles for easy control
- Hi-Arc rotating spout for superior accessibility
- 3-Hole, 4 inch centerset with pop-up
- ADA compliant
- Water efficient, meeting CALGreen standards
- Washerless cartridge application, repairs using Peerless brand parts
- Maximum deck: 1 inch - 1-1/4 inch hole size

26

99.00

07, 62

119.00



Free Standing Tub Fillers

DF02043-

- Ergonomic blade handles for easy control of faucet fill and hand shower
- Hi-Arc rotating spout for superior accessibility
- 1-Hole rough mounting to floor using provided expansion screws
- ADA compliant handles
- Ceramic disc hand shower valve meets water standards and operates precisely
- High-flow tub filler valve rapidly fills bathtubs wells
- Easily adjusts using cover escutcheon

26

1199.00

07, 12, 62

1369.00

**COMING
SOON -60**

WHITE



POLISHED CHROME



OIL RUBBED BRONZE



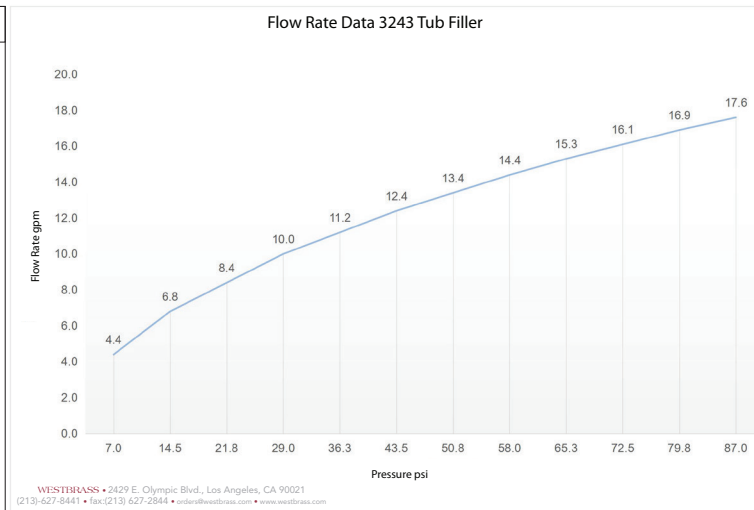
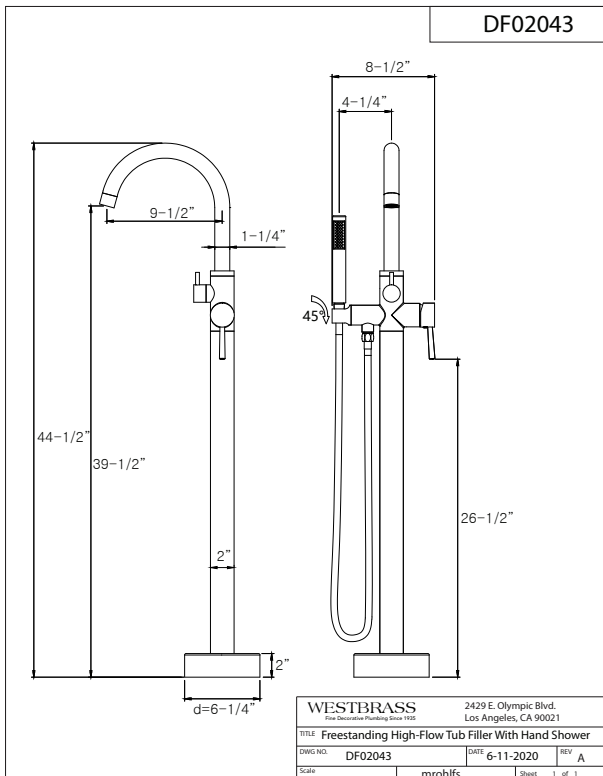
SATIN NICKEL



MATTE BLACK



WHITE



**Fill Large Tubs at a Rate
of 15 gpm
at 60 psi House Pressure**

SOLID SURFACE BATH TUBS

POLISHED BRASS (01 OR 03), POLISHED NICKEL (05), SATIN NICKEL (07), ANTIQUE COPPER (11), OIL RUBBED BRONZE (12), STAINLESS STEEL (20), POLISHED CHROME(26), WHITE (50), FLAT BLACK (62)



Free Standing Oval Bath Tubs

FSO6935W	69 x 35 x 23	4999.00
FSO6433W	64 x 33 x 23	4799.00
FSO5831W	58 x 31 x 23	4699.00

- White matte mineral filled acrylic solid surface finish
- Stone free standing bath tub with integral overflow
- Integrated lumbar support to buoy the body and relax the soul
- White matching 100 mm flat stone ADA compliant pop-up drain
- Drain cap sits flush with bath tub when shut
- Shipped palletized in plywood crate

S801W	269.00
--------------	---------------

- White matte mineral filled acrylic bench



Free Standing Rectangular Bath Tubs

FSS6935W	69 x 35 x 23	4999.00
FSS6433W	64 x 33 x 23	4799.00
FSS5831W	58 x 31 x 23	4699.99

- White matte mineral filled acrylic solid surface finish
- Stone free standing bath tub with integral overflow
- Integrated lumbar support to buoy the body and relax the soul
- White matching 100 mm flat stone ADA compliant pop-up drain
- Drain cap sits flush with bath tub when shut
- Shipped palletized in plywood crate

FREE STANDING TUB KITS

POLISHED BRASS (01 OR 03), POLISHED NICKEL (05), SATIN NICKEL (07), ANTIQUE COPPER (11), OIL RUBBED BRONZE (12), STAINLESS STEEL (20), POLISHED CHROME(26), WHITE (50), FLAT BLACK (62)



Oval Solid Surface Tub Kits

		26	07, 12, 62
FSOTK69-	69 x 35 x 23	6299.00	6399.00
FSOTK64-	64 x 33 x 23	6099.00	6199.00
FSOTK58-	58 x 31 x 23-	5999.00	6099.00

- White Solid Surface Bath Tub
- White Stone Covered Tip-Toe Drain D98LTB-W
- Free Standing Tub Filler DF2043
- Island Drain TC3P
- Solid Surface Bathing Bench S801W



Rectangular Solid Surface Tub Kits

		26	07, 12, 62
FSSTK69-	69 x 35 x 23	6299.00	6399.00
FSSTK64-	64 x 33 x 23	6099.00	6199.00
FSSTK58-	58 x 31 x 23-	5999.00	6099.00

- White Solid Surface Bath Tub
- White Stone Covered Tip-Toe Drain D98LTB-W
- Free Standing Tub Filler DF2043
- Island Drain TC3P
- Solid Surface Bathing Bench S801W

ADDED ACCESSORIES FOR THIS KIT



D98LTC-W
Self Leveling Tip-Toe Drain



TC3P
Island Drain Tub Waste Connection



DF2043-**
High Flow Filler



S801W
Designer Bathing Seat

FRP REINFORCED ACRYLIC SHOWER PANS

POLISHED BRASS (01 OR 03), POLISHED NICKEL (05), SATIN NICKEL (07), ANTIQUE COPPER (11), OIL RUBBED BRONZE (12), STAINLESS STEEL (20), POLISHED CHROME(26), WHITE (50), FLAT BLACK (62)



26 01, 05, 07, 12, 50, 62

HPG3636P- Plastic Body 489.00 509.00

HPG3636B- Brass Body 519.00 549.00

- 3 wall flanges with threshold
- Anti-skid surface floor
- Center drain with acrylic surface
- Warm to the touch
- Fiberglass and resin reinforced backing

HPG3636-WH Pan Only 479.00



26 01, 05, 07, 12, 50, 62

HPG4836P- Plastic Body 579.00 599.00

HPG4836B- Brass Body 609.00 639.00

- 3 wall flanges with threshold
- Anti-skid surface floor
- Center drain with acrylic surface
- Warm to the touch
- Fiberglass and resin reinforced backing

HPG4836-WH Pan Only 569.00



26 01, 05, 07, 12, 50, 62

HPG6036P- Plastic Body 639.00 659.00

HPG6036B- Brass Body 669.00 699.00

- 3 wall flanges with threshold
- Anti-skid surface floor
- Center drain with acrylic surface
- Warm to the touch
- Fiberglass and resin reinforced backing

HPG6036-WH Pan Only 629.00



26 01, 05, 07, 12, 50, 62

HPG7236P- Plastic Body 739.00 759.00

HPG7236B- Brass Body 769.00 799.00

- 3 wall flanges with threshold
- Anti-skid surface floor
- Center drain with acrylic surface
- Warm to the touch
- Fiberglass and resin reinforced backing

HPG7236-WH Pan Only 729.00

FRP REINFORCED ACRYLIC SHOWER PANS

POLISHED BRASS (01 OR 03), POLISHED NICKEL (05), SATIN NICKEL (07), ANTIQUE COPPER (11), OIL RUBBED BRONZE (12), STAINLESS STEEL (20), POLISHED CHROME(26), WHITE (50), FLAT BLACK (62)



60 x 34 Right Hand Pan

26 01, 05, 07, 12, 50, 62

HPG6034RWHP-	Plastic	659.00	679.00
HPG6034RWHB-	Brass	689.00	719.00

- 3 wall flanges with threshold
- Anti-skid surface floor
- Right hand drain outlet
- Warm to the touch
- Fiberglass and resin reinforced backing

HPG6034R-WH Pan Only **649.00**



60 x 34 Left Hand Pan

26 01, 05, 07, 12, 50, 62

HPG6034LWHP-	Plastic	659.00	679.00
HPG6034LWHB-	Brass	689.00	719.00

- 3 wall flanges with threshold
- Anti-skid surface floor
- Left hand drain outlet
- Warm to the touch
- Fiberglass and resin reinforced backing

HPG6034L-WH Pan Only **649.00**



Plastic Body Keyed No-Hub Drain



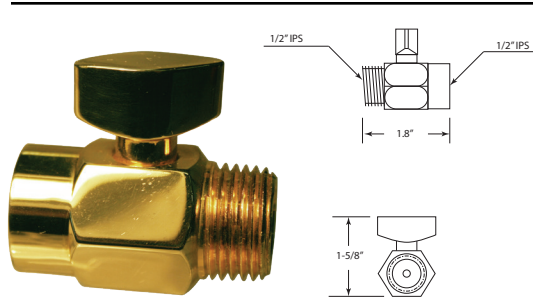
Brass Body Keyed No-Hub Drain



Westbrass Acrylic Shower Pans are formed from pure sheet acrylic, reinforced with FRP. Surfaces are easily cleaned and maintained. The bottom is slip resistant and repairable. Drains are available in PVC or Brass with several designer finishes.

HAND SHOWER ACCESSORIES AND HOSES

POLISHED BRASS (01 OR 03), POLISHED NICKEL (05), SATIN NICKEL (07), ANTIQUE COPPER (11), OIL RUBBED BRONZE (12), STAINLESS STEEL (20), POLISHED CHROME(26), WHITE (50), FLAT BLACK (62)

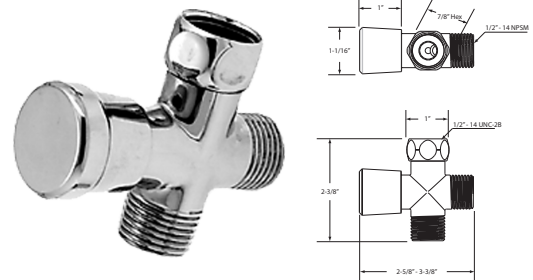


Shower Arm Volume Control

D309-

- 1/2" IPS female x 1/2" IPS male
- Adjusts flow from drizzle to full on
- Drizzle protects from scalding - will not shut off
- Cannot be used as a positive shut off valve by law
- Excellent water saving device

26	56.89
01, 05, 07, 12, 50, 62	66.32

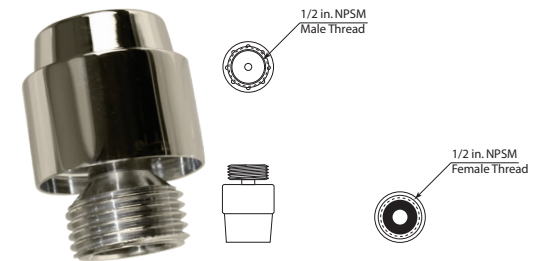


1/2" Diverter Valve for Shower Arm

D348-

- Diverter valve for shower arm
- 1/2" IPS inlet mounts to shower arm
- 1/2" IPS outlet in front for shower head
- 1/2" IPS outlet on side for hand shower hose
- Slide switch selects between shower heads

26	78.81
01, 05, 07, 12, 50, 62	106.93

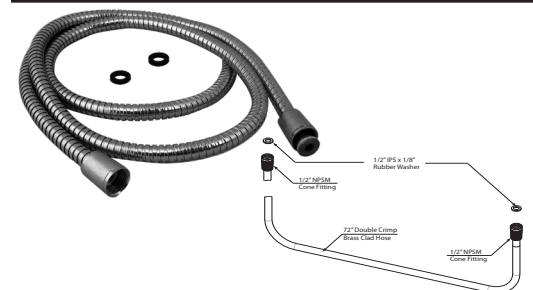


Vacuum Breaker for Hand Shower

D354-

- Hand shower vacuum breaker
- Simple inline design fits most hand showers
- 1/2" female IPS inlet connects to shower wand
- 1/2" male IPS outlet connects to hose
- Prevents water supply contamination

26	59.56
01, 05, 07, 12	89.33

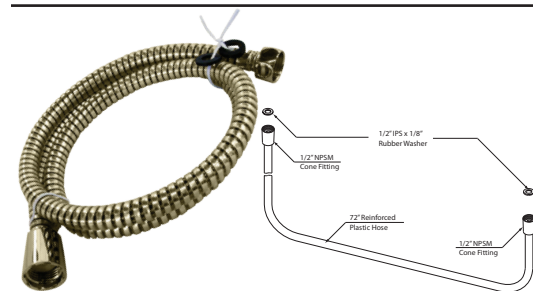


72" Brass Shower Hose

D355-

- Double-crimped brass hose exterior
- Knurled 1/2 in. cone fittings for secure mounting
- PVC liner for maximum durability
- Polished chrome and Platinum only

26	74.45
PLT	74.45



72" Superflex Plastic Shower Hose

D355P-

- Easily cleaned smooth hose exterior
- 1/2 in. cone fittings for secure mounting
- Kink free hose with swivel ends
- Polished Brass, White and Satin Nickel only

WH	10.70
PB, SN,	32.49



72" Superflex Extendable Shower Hose

D355E-

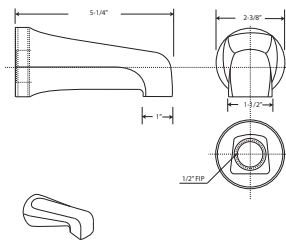
- Easily cleaned smooth hose exterior
- 1/2 in. cone fittings for secure mounting
- Kink free hose with swivel ends
- Extends from 60 - 82 in. with EPDM liner
- SS202 stainless steel double crimped hose

26	31.03
07, 12, 62	57.78

BRASS TUB SPOUTS

POLISHED BRASS (01 OR 03), POLISHED NICKEL (05), SATIN NICKEL (07), ANTIQUE COPPER (11), OIL RUBBED BRONZE (12), STAINLESS STEEL (20), POLISHED CHROME(26), WHITE (50), FLAT BLACK (62)

5-1/2" Brass Tub Spout

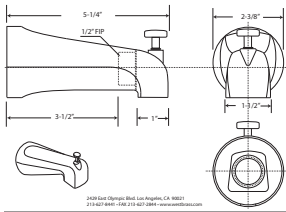


D310-

- Tub spout
- 5-1/2" reach
- Rear threads
- Fits 1/2" IPS
- Brass construction

26	83.92
01, 05, 07, 12, 50, 62	112.34

5" Brass Nose Diverter Tub Spout

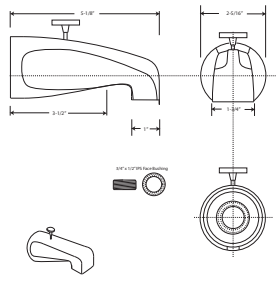


D311-

- Diverter tub spout
- 5" reach
- Nose threads
- Fits 1/2" IPS
- Brass construction

26	98.81
01 05, 07, 12, 50, 62	127.23

5-1/2" Brass Rear Diverter Tub Spout

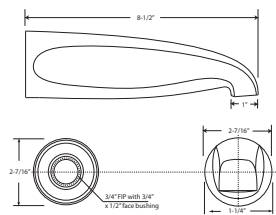


D3112-

- Tub spout
- 5-1/2" reach
- Rear threads
- Fits 1/2" IPS or 3/4" IPS with brass bushing
- Brass construction

26	174.61
01, 05, 07, 12, 50, 62	242.29

8-1/2" Brass Tub Spout

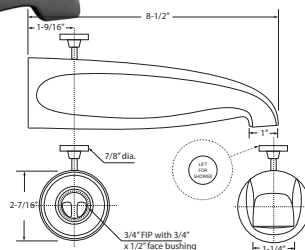


D3101-

- Tub spout
- 8-1/2" reach
- Rear threads
- Fits 1/2" IPS or 3/4" IPS with brass bushing
- Brass construction

26	188.14
01, 05, 07, 12, 50	255.82

8-1/2" Brass Rear Diverter Tub Spout



D3111-

- Diverter tub spout
- 8-1/2" reach
- Rear threads
- Fits 1/2" IPS or 3/4" IPS with brass bushing
- Brass construction

26	215.21
07, 62	269.36

7 INCH TUB SPOUTS

POLISHED BRASS (01 OR 03), POLISHED NICKEL (05), SATIN NICKEL (07), ANTIQUE COPPER (11), OIL RUBBED BRONZE (12), STAINLESS STEEL (20), POLISHED CHROME(26), WHITE (50), FLAT BLACK (62)

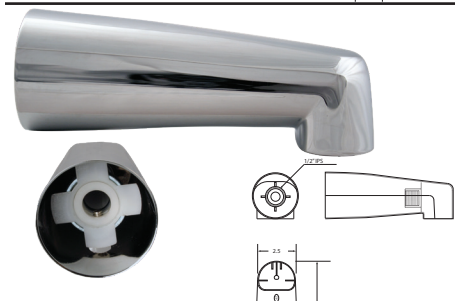


7" Extended Tub Spout

E507-1F-

- Tub spout, 7 inch reach
- 1/2 in. IPS front threads
- Fits 1/2 in. nipple
- Zinc construction

26	50.08
07, 12, 62	67.78

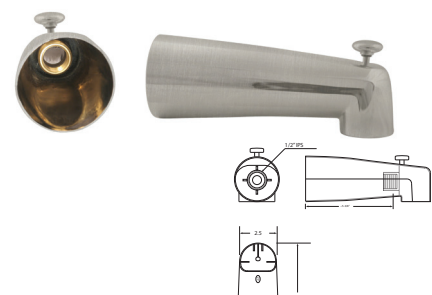


7" Extended Tub Spout for Copper Pipe

E5074-1F-

- Tub spout, 7 inch reach
- 1/2 in. copper nipple
- Fits 1/2 in. copper stub out
- Zinc construction

26	50.08
07, 12, 62	67.78



7" Extended Diverter Tub Spout

E507D-1F-

- Tub spout, 7 inch reach
- 1/2 in. copper nipple
- Fits 1/2 in. copper stub out
- Zinc construction

26	67.68
07, 12, 62	94.75



7" Extended Diverter Tub Spout for Copper

E5074D-1F-

- Diverter tub spout, 7 inch reach
- 1/2 in. copper nipple
- Fits 1/2 in. copper stub out
- Zinc construction

26	67.68
07, 12, 62	94.75

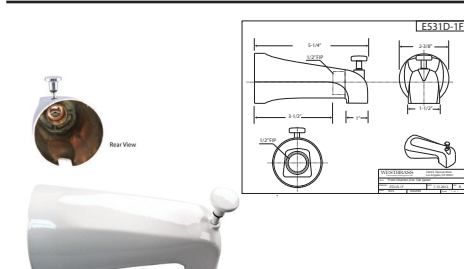


5" Zinc Tub Spout for IPS Connection

E531-1F-

- Diverter tub spout, 7 inch reach
- 1/2 in. copper nipple
- Fits 1/2 in. copper stub out
- Zinc construction

26	18.95
07, PB, WH, 62	33.83



5" Zinc Diverter Tub Spout for IPS Connection

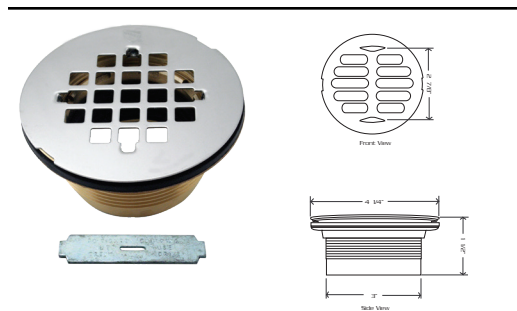
E531D-1F-

- Diverter tub spout, 7 inch reach
- 1/2 in. copper nipple
- Fits 1/2 in. copper stub out
- Zinc construction

26	20.31
07, PB, WH, 62	40.61

SHOWER DRAINS

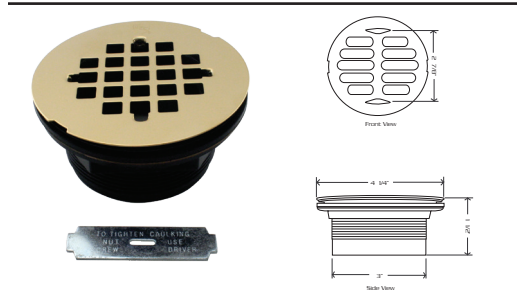
POLISHED BRASS (01 OR 03), POLISHED NICKEL (05), SATIN NICKEL (07), ANTIQUE COPPER (11), OIL RUBBED BRONZE (12), STAINLESS STEEL (20), POLISHED CHROME(26), WHITE (50), FLAT BLACK (62)



Brass Compression Shower Drain

D206B-

- Brass body shower drain 26 **98.81**
- Brass or stainless steel grate 01, 05, 07, **134.00**
- Fits 2" ABS or PVC pipe 12, 50, 62
- Uses keyed rubber compression gasket
- Drain rim fully covered by grate



PVC Compression Shower Drain

D206P-

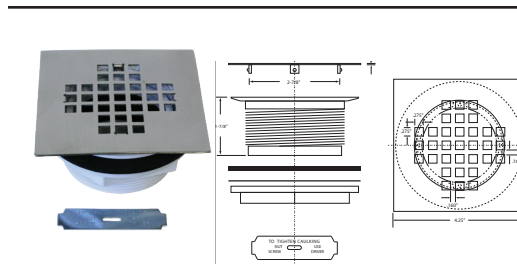
- Plastic body shower drain 26 **33.84**
- Brass or stainless steel grate 01, 05, 07, **64.97**
- Fits 2" ABS or PVC pipe 12, 50, 62
- Uses keyed rubber compression gasket
- Drain rim fully covered by grate



Brass Swedge-Lock Shower Drain

D206B-LAS-

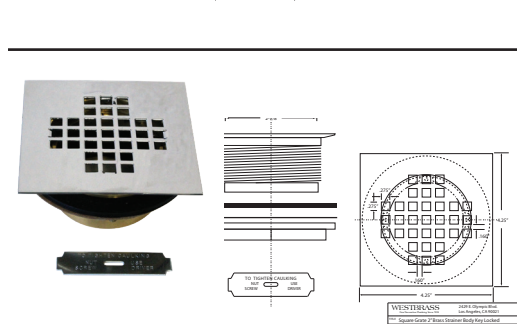
- Brass body shower drain 26 **98.81**
- Brass or stainless steel grate 01, 05, 07, **134.00**
- Fits 2" ABS or PVC pipe 12, 50, 62
- Uses driven no-caulk rubber swedge lock
- Drain rim fully covered by grate



Square PVC Compression Shower Drain

D206PS-

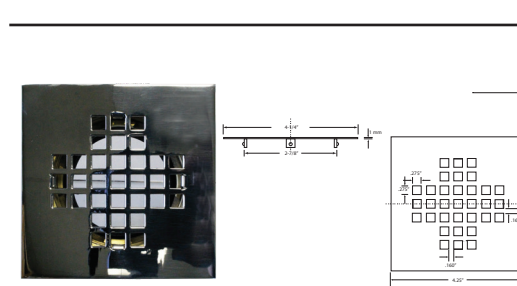
- Square brass grate pushes onto body 26 **43.31**
- Fits 2" ABS or PVC pipes 07, 12 **78.58**
- Uses keyed rubber compression gasket
- Drain rim fully covered by grate
- Solid brass grate and PVC body



Square Cast Brass Compression Shower Drain

D206BS-

- Square brass grate pushes onto body 26 **106.93**
- Fits 2" ABS or PVC pipes 07, 12, 50 **142.12**
- Uses keyed rubber compression gasket
- Drain rim fully covered by grate
- Solid brass grate and body



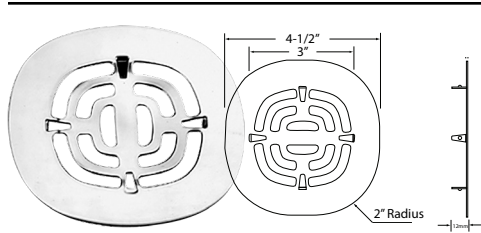
Square Shower Drain Cover

D206-SQG-

- Square solid brass grate pushes onto body 26 **35.19**
- Fits 2" 206-B drains 07, 12, 50 **70.38**

SHOWER DRAIN COVER TRIMS

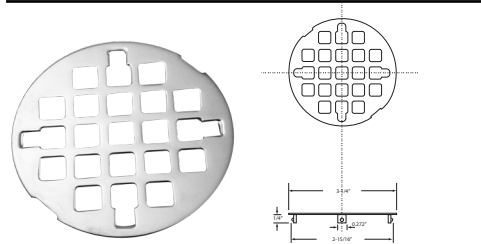
POLISHED BRASS (01 OR 03), POLISHED NICKEL (05), SATIN NICKEL (07), ANTIQUE COPPER (11), OIL RUBBED BRONZE (12), STAINLESS STEEL (20), POLISHED CHROME(26), WHITE (50), FLAT BLACK (62)



Fiat Snap-in Shower Strainer

D316-

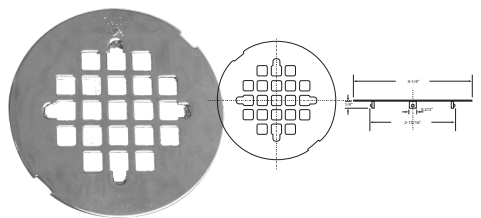
- | | | |
|--------------------------------------|-------------|--------------|
| • Fiat style snap-in shower strainer | 26 | 37.90 |
| • 4-1/2" x 4-1/2" | 01, 05, 07, | 52.79 |
| • 3-1/8" prong-to-prong | 12, 50, 62 | |
| • Brass | | |



Casper Snap-in Shower Strainer

D318-

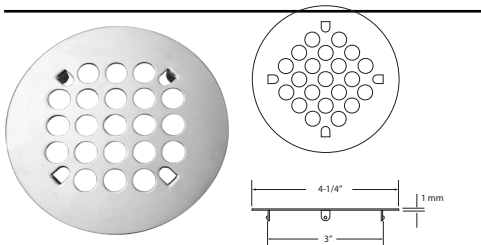
- | | | |
|---|-------------|--------------|
| • Casper no. D109 style snap-in shower strainer | 26 | 33.84 |
| • 3-1/4" OD | 01, 05, 07, | 46.02 |
| • 2-7/8" prong-to-prong | 12, 50, 62 | |
| • Brass | | |



Casper Snap-in Shower Strainer

D319-

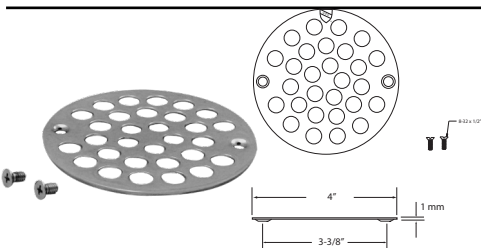
- | | | |
|--|-------------|--------------|
| • Casper no. 129 style snap-in shower strainer | 26 | 28.42 |
| • 4-1/4" OD | 01, 05, 07, | 41.96 |
| • 2-7/8" prong-to-prong | 12, 50, 62 | |
| • Brass | | |



Florestone Snap-in Shower Strainer

D3191-

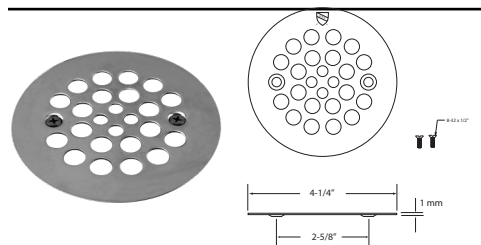
- | | | |
|--|-------------|--------------|
| • Florestone style snap-in shower strainer | 26 | 27.07 |
| • 4-1/4" OD | 01, 05, 07, | 40.61 |
| • 3" prong-to-prong | 12, 50, 62 | |
| • Brass | | |



Plastic Oddities Shower Strainer

D3192-

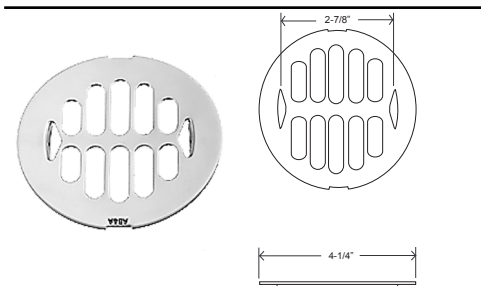
- | | | |
|--|-------------|--------------|
| • Plastic Oddities style shower strainer | 26 | 28.42 |
| • Screws included | 01, 05, 07, | 40.61 |
| • 4" OD | 12, 50, 62 | |
| • 3-3/8" hole-to-hole | | |



Plastic Oddities Shower Strainer

D3193-

- | | | |
|--|-------------|--------------|
| • Plastic Oddities style shower strainer | 26 | 28.42 |
| • Screws included | 01, 05, 07, | 40.61 |
| • 4-1/4" OD | 12, 50, 62 | |
| • 2-5/8" hole-to-hole | | |



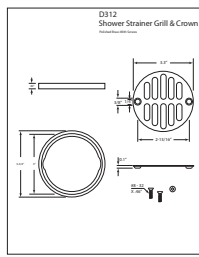
AB&A Snap-in Shower Strainer

D3198-

- | | | |
|---|-------------|--------------|
| • American Brass & Aluminum style snap-in shower strainer | 26 | 20.30 |
| • 4-1/4" OD | 01, 05, 07, | 27.07 |
| • 2-7/8" prong-to-prong | 12, 50, 62 | |
| • Brass | | |

SHOWER DRAIN COVER TRIM

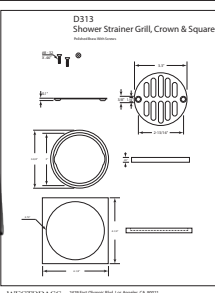
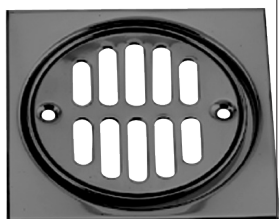
POLISHED BRASS (01 OR 03), POLISHED NICKEL (05), SATIN NICKEL (07), ANTIQUE COPPER (11), OIL RUBBED BRONZE (12), STAINLESS STEEL (20), POLISHED CHROME(26), WHITE (50), FLAT BLACK (62)



Shower Strainer Set Grill & Crown

D312-

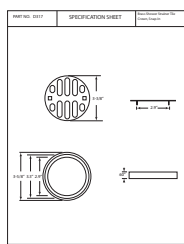
- Deluxe shower drain trim with screws 26 **40.61**
- 2-7/8" hole-to-hole in grate 01, 05, 07, **55.50**
- 3-1/2" OD crown 12, 50, 62
- Fits Plumbing Products brand and similar 4T style drains



Shower Strainer Set with Tile Square

D313-

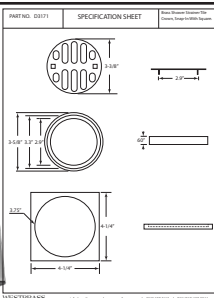
- Deluxe shower drain trim with screws 26 **46.02**
- 4-1/4" OD square 01, 05, 07, **60.91**
- 2-7/8" hole-to-hole in grate 12, 50, 62
- 3-1/2" OD crown
- Fits Plumbing Products brand and similar 4T style drains



Snap-in Shower Strainer Grill & Crown

D317-

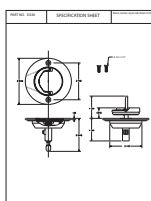
- Frank pattern deluxe shower drain trim with crown, and strainer 26 **37.90**
- 3-1/2" OD crown 01, 05, 07, **52.79**
- 2-7/8" prong-to-prong of grate 12, 50, 62
- Brass



Snap-in Shower Strainer Grill, Crown & Square

D3171-

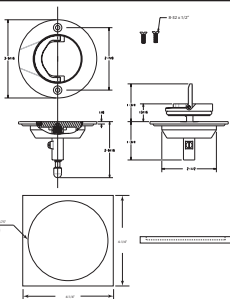
- Frank pattern deluxe shower drain trim with crown, square and strainer 26 **58.20**
- 4-1/4 in. outside square 01, 05, 07, **71.74**
- 3-1/2" OD crown 12, 50, 62
- 2-7/8" prong-to-prong of grate
- Brass



Roman Tub Drain

D320-

- Roman tub drain top only 26 **106.93**
- 2-7/8" hole center to center 01, 05, 07, **134.00**
- Two 8-32 x 1/2" screws included 12, 50, 62
- Solid brass
- Fits Oatey #151, Casper #140, and Plumbing Products EZ-Test 2 or equivalent



Roman Tub Drain with D315 Tile Square

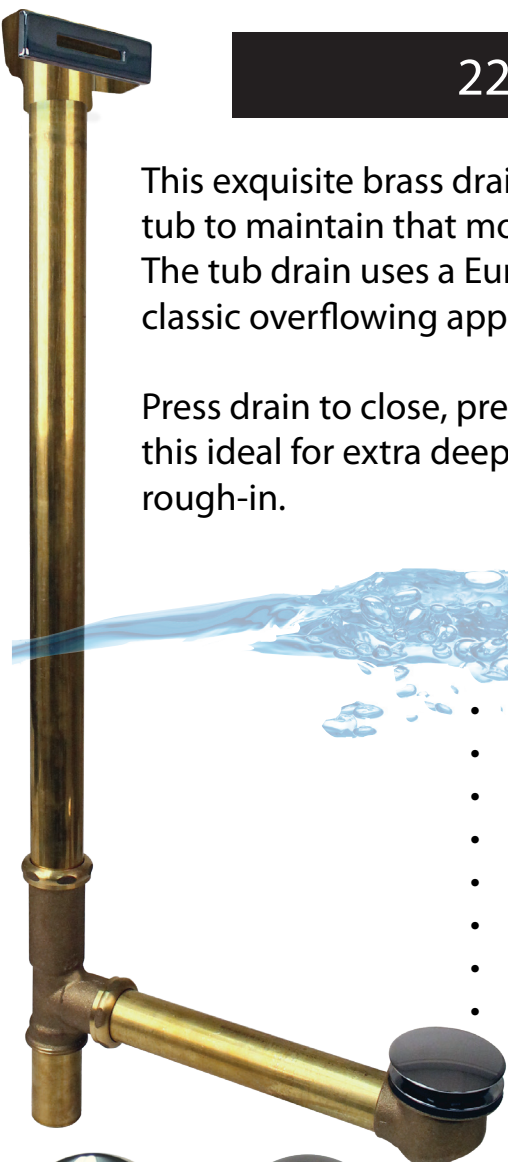
D3201-

- Roman tub drain top only with tile square 26 **112.34**
- 2-7/8" hole center to center 01, 05, 07, **155.66**
- Two 8-32 x 1/2" screws included 12, 50, 62
- 4-1/4" square (D315)
- Fits Oatey #151, Casper #140, and Plumbing Products EZ-Test 2 or equivalent

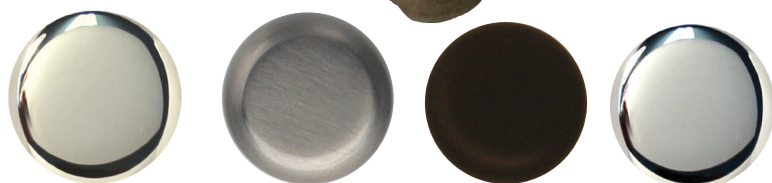
22" Linear Overflow Bath Waste

This exquisite brass drain features a linear overflow shape, allowing the tub to maintain that modern elegance reflected by true lines and curves. The tub drain uses a European tip-toe drain for a stylish, modern, and classic overflowing appearance.

Press drain to close, press again to open. 17 gauge brass tubes making this ideal for extra deep or very long tub runs. Finished trim - unfinished rough-in.



- 1-1/2 in. unfinished brass tubular bath waste assembly
- 22-in. maximum make-up with 17 gauge brass tubes
- European tip-toe push drain for tub closure
- Low profile for narrow tub rims
- Fits a standard bath drain with a linear overflow
- Finished trim - unfinished rough-in
- Includes 3 in. tailpiece, cast brass tee and elbows
- ADA approved drain closure



Polished Nickel
05

Satin Nickel
07

Oil Rubbed
Bronze 12

Polished
Chrome 26

FINISH	MSRP
-26	242.29
05, 07, 12	268.99





22" Ball Joint Linear Overflow Bath Waste

This exquisite brass drain features a linear overflow with Ball Joint, allowing the tub to effectively seal and maintain that modern elegance reflected by true lines and curves. The tub drain uses a European tip-toe drain for a stylish, modern, and classic overflowing appearance.

Press drain to close, press again to open. 17 gauge brass tubes making this ideal for extra deep or very long tub runs. Finished trim - unfinished rough-in.



- 1-1/2 in. unfinished brass tubular bath waste assembly
- 22 in. maximum make-up with 17 gauge brass tubes
- European tip-toe push drain for tub closure
- Low profile for narrow tub rims
- Fits a standard bath drain with a linear overflow
- Finished trim - unfinished rough-in
- Includes 3 in. tailpiece, cast brass tee and elbows
- ADA approved drain closure



Polished Nickel
05



Satin Nickel
07



Oil Rubbed
Bronze 12



Polished
Chrome 26

FINISH

MSRP

-26

352.94

05, 07, 12

378.24





22" Fully Finished Linear Balljoint Tip-Toe Bath Waste & Overflow

The Linear bathwaste overflow by Westbrass features a sleek, linear overflow cover which beautifully finishes the inside of the tub rim. The ADA approved toe tap drain is easy to operate; press once to close, and again to open the drain. This drain type is the easiest to use for all bathers.

Fully finished on its exterior, this drain is designed to stand out and accent the bathing well for all exposed installations. The finished ball joint allows the overflow elbow to neatly meet the exterior of the tub, and the hidden screws make the exterior look truly elegant.



- Fully exposed bath waste ball joint elbow
- Concealed silicone gasket familiar to plumbers
- Low profile for narrow tub rims
- Overflow plate seals to bathtub using concealed screws for polished appearance
- Ball joint flexes to a wide variety of angles for perfect installations
- ADA approved oversized tip-toe drain stopper for easy use
- 6 in. finished tailpiece trims to floor using a hi-box flange for easier installation

FINISH	MSRP
-26	472.39
05, 07, 12	499.46



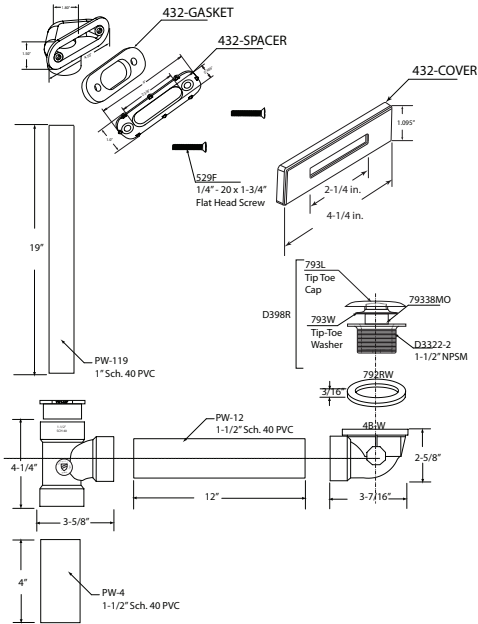
LINEAR OVERFLOW LOW PROFILE

POLISHED BRASS (01 OR 03), POLISHED NICKEL (05), SATIN NICKEL (07), ANTIQUE COPPER (11), OIL RUBBED BRONZE (12), STAINLESS STEEL (20), POLISHED CHROME(26), WHITE (50), FLAT BLACK (62)

Linear Sch 40 PVC Waste & Overflow

493244SLD-

- 22-1/2" maximum make-up tub waste 26 **113.31**
- 1" overflow tube with linear spacer 03, 05, **134.00**
- ADA approved tip-toe drain trim for easy sealing 07, 12
- Sleek, oversized tip-toe cover
- Includes 19", 12" and 4" cut able pipes

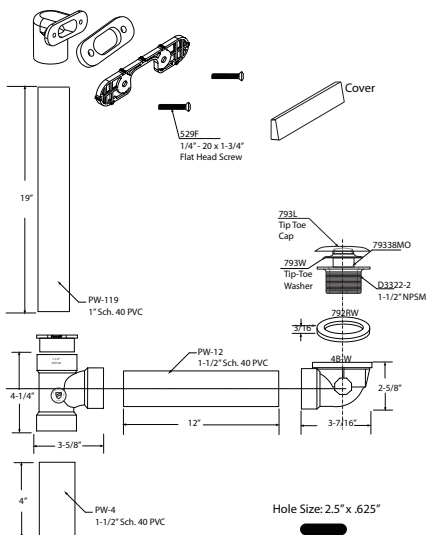


HEAD SHOT

Linear Sch 40 PVC Hidden Waste & Overflow

493244HLD-

- 22-1/2" maximum make-up tub waste 26 **115.05**
- 1" overflow tube with linear spacer 03, 05, **142.12**
- Hidden overflow for a stylish appearance 07, 12,
- ADA approved tip-toe drain trim for easy sealing
- Sleek, oversized tip-toe cover
- Includes 19", 12" and 4" cut able pipes



HEAD SHOT

Patented Deep Soak-Closing Overflow

This exquisite PVC drain features a closing overflow, allowing the tub to be, "over-filled" for that **extra deep soak**; required to ease both mind and body.

The drain can be used in 3 ways. Fill your tub and use as normal overflow (Fig. 1). Rotate the overflow once and your tub can fill higher (Fig. 2). Rotate again, and the water can completely cover the overflow for the ultimate in luxurious bathing (Fig. 3). The tub drain uses

a European tip-toe drain. Easy to use: press once to close and again to open. Sch. 40 PVC non-corroding fittings and pipes glue together for complete adjustability, making this ideal for extra deep or very long runs.

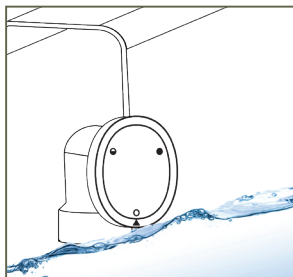


Figure 1

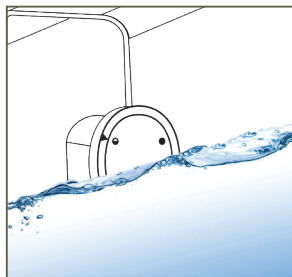


Figure 2

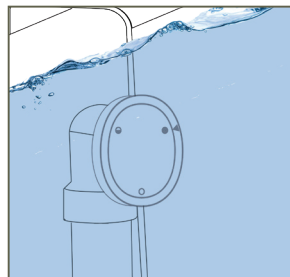
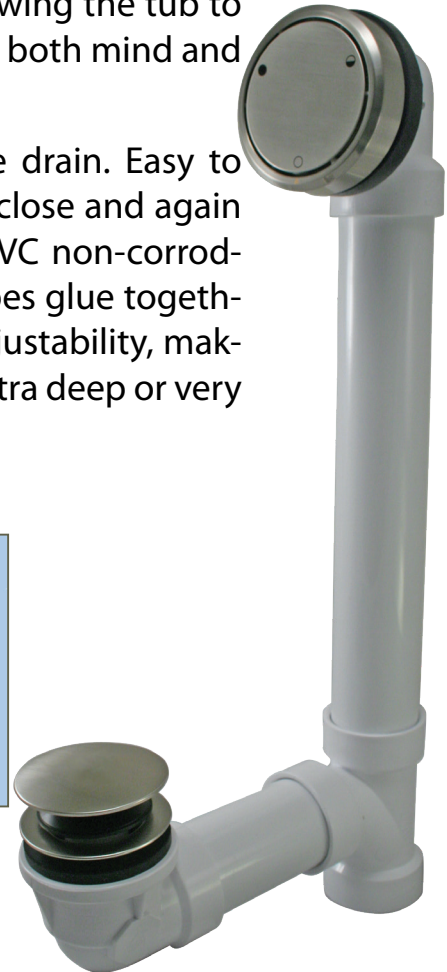


Figure 3

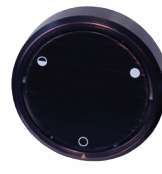
- 1-1/2 in. Sch. 40 PVC pipes and fittings
- European tip-toe push drain for tub closure
- Fits standard tub openings
- Glue in pipe with finished trim
- Rotating overflow for extra-deep tub soak
- ADA approved drain closure
- No-hole round overflow faceplate



FINISH	MSRP
-26	120.47
05, 06, 07, 12, 50	161.07



Satin Nickel
07



Oil Rubbed
Bronze 12



Polished
Chrome 26



Powder Coat
White 50

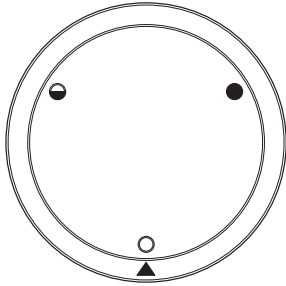


PATENTED DEEP SOAK OPERATION

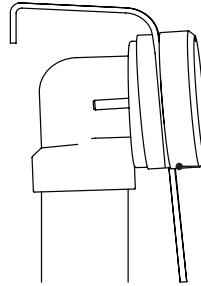
POLISHED BRASS (01 OR 03), POLISHED NICKEL (05), SATIN NICKEL (07), ANTIQUE COPPER (11), OIL RUBBED BRONZE (12), STAINLESS STEEL (20), POLISHED CHROME(26), WHITE (50), FLAT BLACK (62)

Drain Operation Fonctionnement du drain Operación de drenaje

Step 1 Étape Paso

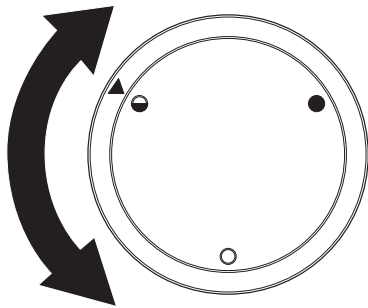


For a Normal Soak; position the handle so that the arrow is as shown below.
Pour une imprégnation normal position la poignée afin que la flèche est comme indiqué ci-dessous.
Para una posición normal empapar la palanca para que la flecha como se muestra a continuación.

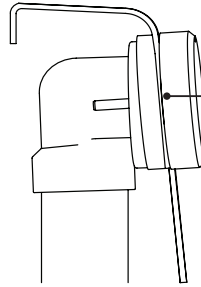


Normal Soak Water Level.
Normal trempez niveau de l'eau.
Remoje normal Nivel de agua.

Step 2 Étape Paso

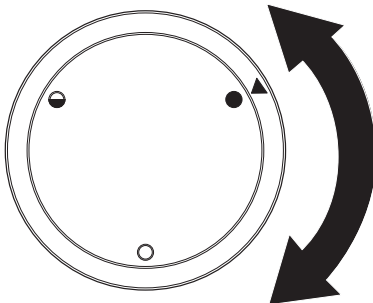


For a Deeper Soak; position the handle so that the arrow is as shown below.
Pour une profonde trempez position la poignée afin que la flèche est comme illustré ci-dessous.
Para obtener una posición profunda empapar la palanca para que la flecha como se muestra a continuación.



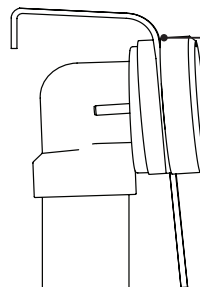
Deep Soak Water Level.
Profonde trempez niveau de l'eau.
Remoje profundo nivel de agua.

Step 3 Étape Paso



To close the Overflow position the handle so that the arrow is as shown below.
Pour fermer le débordement tendre la poignée afin que la flèche est comme indiqué ci-dessous.
Para cerrar el desbordamiento punto-cue la manija para que la flecha como se muestra a continuación.

Do not fill the bathtub up to the Overflow Closed position, then get into the bath. You can displace the water and cause water damage.
Ne pas remplir la baignoire jusqu'à la position fermée de dépassement de capacité, puis obtenir dans la baignoire. Vous pouvez déplacer l'eau et entraîner dommages causés par l'eau.
No se debe llenar la bañera hasta el desbordamiento punto-cue cerrado, a continuación, entrar en el baño. Puede desplazar el agua y causar daños causados por el agua.



Overflow Closed Water Level.
Dépassement de niveau d'eau fermée.
Desbordamiento Cerrado Nivel del Agua.

7931817CHM

WESTBRASS

Fine Decorative Plumbing Since 1935

Deep Soak Brass with Tip-Toe Overflow

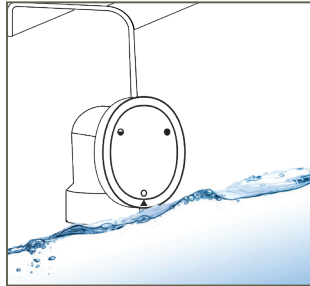


Figure 1

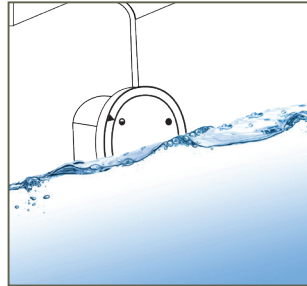


Figure 2

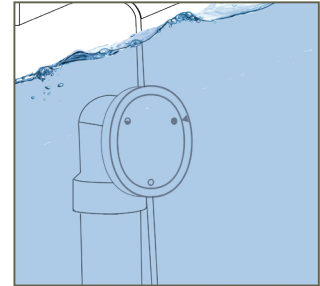
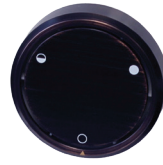


Figure 3

- Rotating overflow for extra-deep tub soak
- Turn once to partially close and again to completely close the overflow
- Overflow plate seals to bathtub using concealed screws for a more polished appearance.
- ADA approved oversized tip-toe drain stopper for easy use, press once to close and again to open drain.



Satin Nickel
07



Oil Rubbed
Bronze 12



Polished
Chrome 26



Powder Coat
White 50

FINISH	MSRP
-26	250.41
06, 07, 12, 50	277.48

WESTBRASS

Fine Decorative Plumbing Since 1935

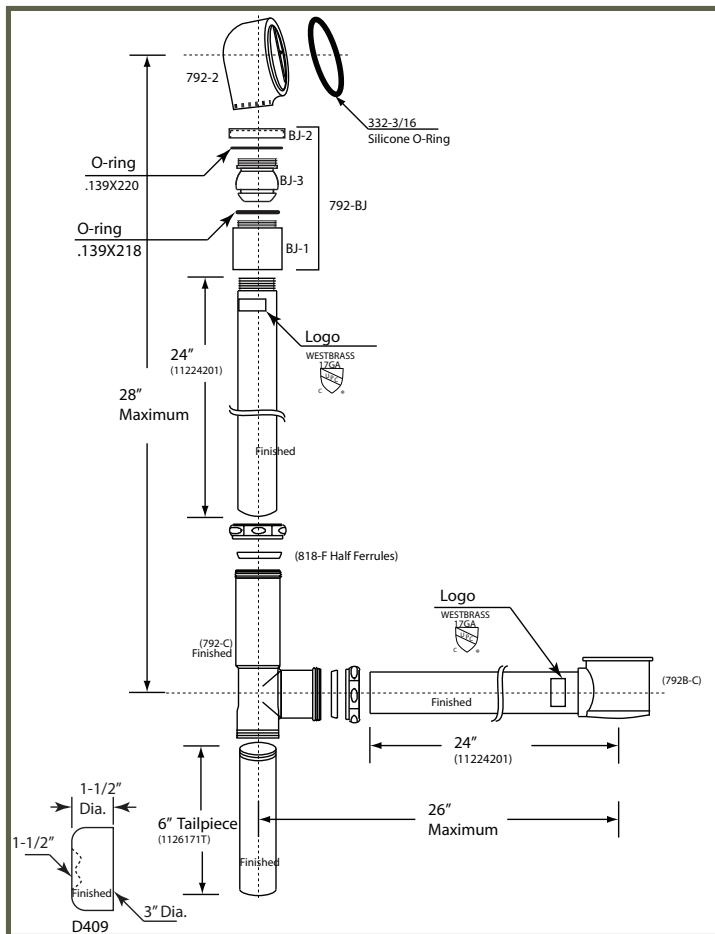
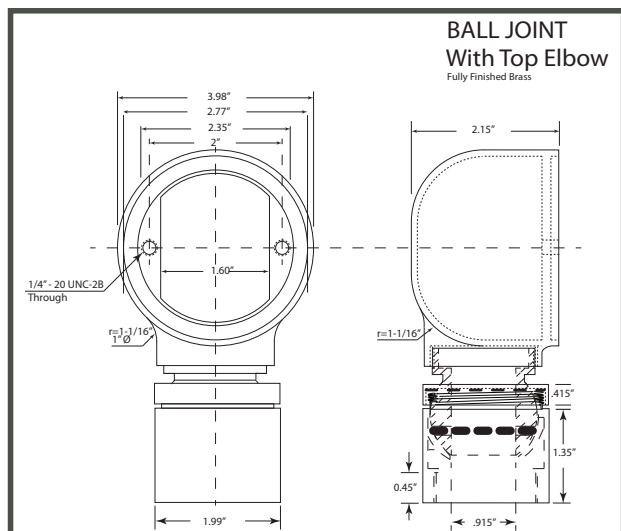
BALL JOINT OVERFLOW FOR FULLY FINISHED INSTALLATIONS

POLISHED BRASS (01 OR 03), POLISHED NICKEL (05), SATIN NICKEL (07), ANTIQUE COPPER (11), OIL RUBBED BRONZE (12), STAINLESS STEEL (20), POLISHED CHROME(26), WHITE (50), FLAT BLACK (62)



- Fully exposed bathwaste & balljoint elbow
- Fits 1-1/2 in. finished brass tubing
- Low profile for narrow tub rims and tight spaces
- Concealed gasket installation familiar to most plumbers
- Fits single hole or dual hole installations with adapter
- Compression seal using ferrules
- Uses the no-hole illusionary overflow cover
- Can use single or dual hole covers
- Flexes to a wide variety of angles to fit most tubs

*Greater Flexibility
A Sleek Design for All
Exposed Installations*



BRASS TIP-TOE WITH BALL JOINT

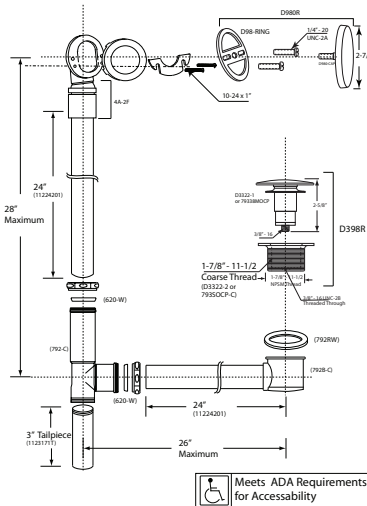
POLISHED BRASS (01 OR 03), POLISHED NICKEL (05), SATIN NICKEL (07), ANTIQUE COPPER (11), OIL RUBBED BRONZE (12), STAINLESS STEEL (20), POLISHED CHROME(26), WHITE (50), FLAT BLACK (62)



28" Illusionary Tip-Toe with Ball Joint

D326HBJ- (7982420HBJ)

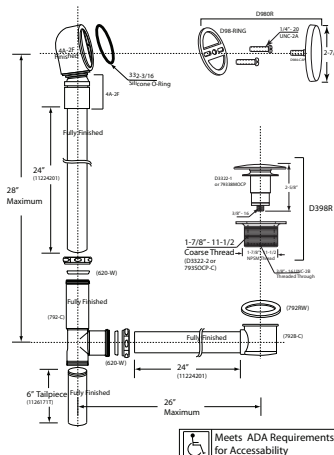
- 28" maximum make-up tub waste 26 **250.41**
- Ball Joint for overflow adjustability 05, 07, **277.48**
- Illusionary faceplate - No Holes 12, 50,
- 1-1/2" oversized tip-toe drain plug 62
- ADA approved drain plug
- Trim parts finished & includes 3" tailpiece
- 17 ga. brass tubes & cast brass fittings



28" Finished Illusionary Tip-Toe with Ball Joint

D326124HKBJ-

- 28" maximum make-up tub waste 26 **364.10**
- 24" trimmable overflow and waste tube 05, 07, **391.18**
- Ball Joint for overflow adjustability 12, 50,
- Elbow hides overflow screws - finished look 62
- Illusionary faceplate - No Holes
- 1-1/2" oversized tip-toe drain plug
- ADA approved drain plug
- Fully finished, includes 6" tailpiece & flange
- 17 ga. brass tubes & cast brass fittings



SEMI-EXPOSED BRASS BATH WASTE

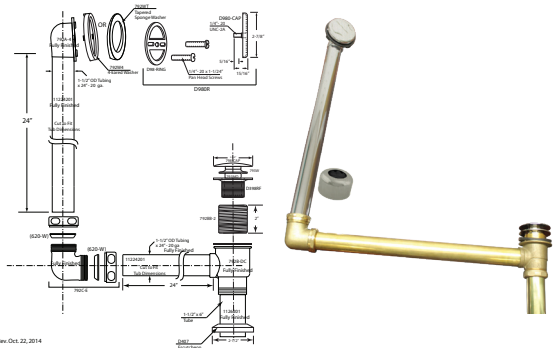
POLISHED BRASS (01 OR 03), POLISHED NICKEL (05), SATIN NICKEL (07), ANTIQUE COPPER (11), OIL RUBBED BRONZE (12), STAINLESS STEEL (20), POLISHED CHROME(26), WHITE (50), FLAT BLACK (62)



Semi-Exposed Tip-Toe Direct Connect

7932420HRDC-

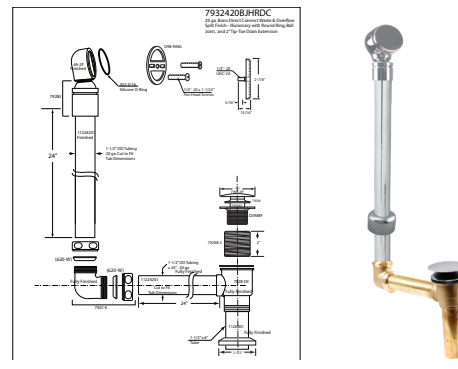
- | | | |
|--|---------|---------------|
| • 24" maximum make-up tub waste | 26 | 353.28 |
| • 1-1/2" tip-toe drain plug | 03, 05, | 384.41 |
| • Illusionary faceplate - No-holes | 07, 12, | |
| • Semi-Exposed style | 50, 62 | |
| • All exposed parts finished | | |
| • 17 gauge brass for under floor drain | | |
| • Includes high box flange for arm | | |



Semi-Exposed Balljoint Tip-Toe D.C.

7932420BJHRDC-

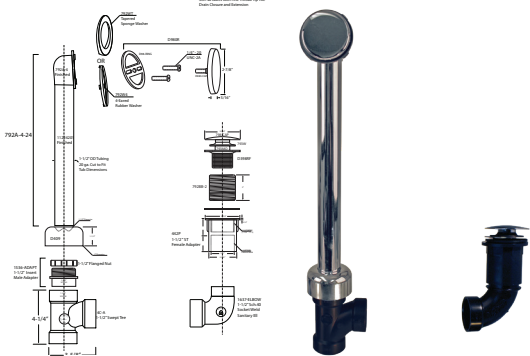
- | | | |
|--|---------|---------------|
| • 24" maximum make-up tub waste | 26 | 458.85 |
| • 1-1/2" tip-toe drain plug | 03, 05, | 485.92 |
| • Illusionary faceplate - No-holes | 07, 12, | |
| • Semi-Exposed style | 50, 62 | |
| • All exposed parts finished | | |
| • 17 gauge brass for under floor drain | | |
| • Includes high box flange for arm | | |



Semi-Exposed Tip-Toe BW&O

493144HRH-

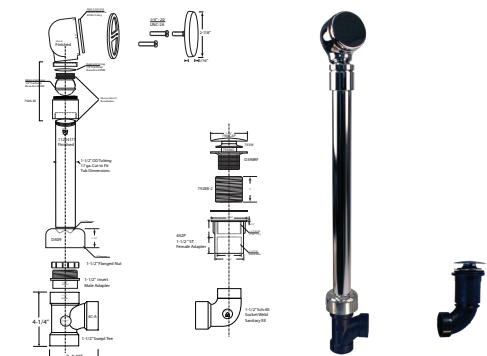
- | | | |
|-------------------------------------|---------|---------------|
| • 22-1/2" maximum make-up tub waste | 26 | 185.44 |
| • 1-1/2" tip toe drain plug | 01, 05, | 212.51 |
| • Illusionary faceplate - No Holes | 07, 12, | |
| • Semi-exposed style | 50, 62 | |
| • All exposed parts finished | | |
| • ABS under floor drain | | |
| • 17 gauge exposed brass tube | | |
| • ABS pipe not included | | |



Semi-Exposed Balljoint Tip-Toe BW&O

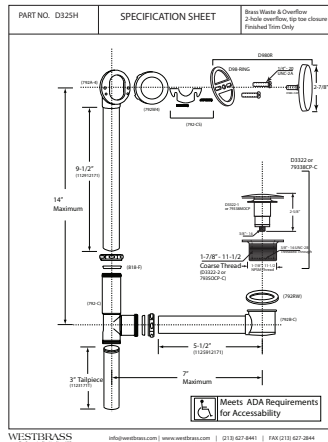
493144HRHBJ-

- | | | |
|---|---------|---------------|
| • 22-1/2" maximum make-up tub waste | 26 | 296.43 |
| • 1-1/2" tip toe drain plug | 01, 05, | 323.50 |
| • Illusionary faceplate - No Holes | 07, 12, | |
| • Semi-exposed style | 50, 62 | |
| • All exposed parts finished with balljoint | | |
| • ABS under floor drain | | |
| • 17 gauge exposed brass tube | | |
| • ABS pipe not included | | |



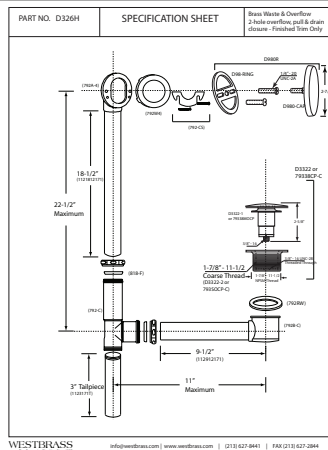
ILLUSIONARY BRASS BATH WASTE & OVERFLOW

POLISHED BRASS (01 OR 03), POLISHED NICKEL (05), SATIN NICKEL (07), ANTIQUE COPPER (11), OIL RUBBED BRONZE (12), STAINLESS STEEL (20), POLISHED CHROME(26), WHITE (50), FLAT BLACK (62)



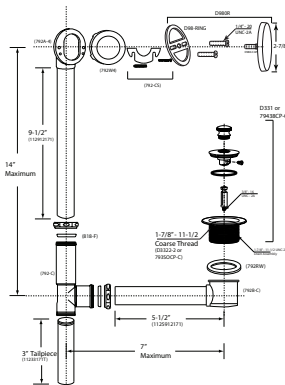
14" Illusionary Tip-Toe D325H- (79317H-)

- 14" maximum make-up tub waste 26 **208.45**
- Illusionary faceplate - No Holes 05, 07, 12, **235.52**
- 1-1/2" oversized tip-toe drain plug 50, 62
- ADA approved closure
- Trim parts finished
- Includes 3" tailpiece
- 17 ga. brass tubes
- Cast brass tee and elbows



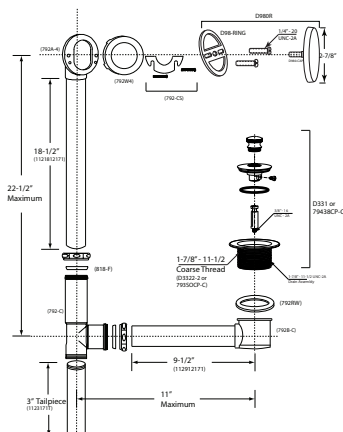
22" Illusionary Tip-Toe D326H- (7931817H-)

- 22-1/2" maximum make-up tub waste 26 **227.40**
- Illusionary faceplate - No Holes 05, 07, **254.47**
- 1-1/2" oversized tip-toe drain plug 12, 50, 62
- ADA approved closure
- Trim parts finished & includes 3" tailpiece
- 17 gauge brass tubes
- Cast brass tee and elbows



14" Illusionary Lift & Turn D321H- (79417H-)

- 14" maximum make-up tub waste 26 **208.45**
- 1-1/2" lift & turn plug 05, 07, **235.52**
- Illusionary faceplate - No Holes 12, 50, 62
- Trim parts finished
- Includes 3" tailpiece
- 17 gauge brass tubes
- Cast brass tee and elbows

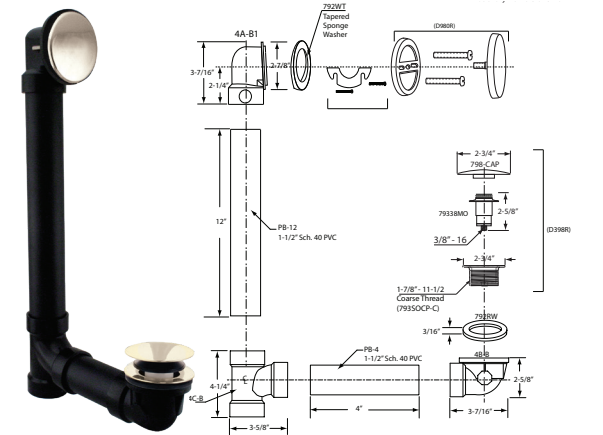


22" Illusionary Lift & Turn D322H- (7941817H-)

- 22-1/2" maximum make-up tub waste 26 **227.40**
- 1-1/2" lift & turn plug 05, 07, **254.47**
- Illusionary faceplate - No Holes 12, 50, 62
- Trim parts finished
- Includes 3" tailpiece
- 17 gauge brass tubes
- Cast brass tee and elbows

ILLUSIONARY SCH. 40 WASTE & OVERFLOWS

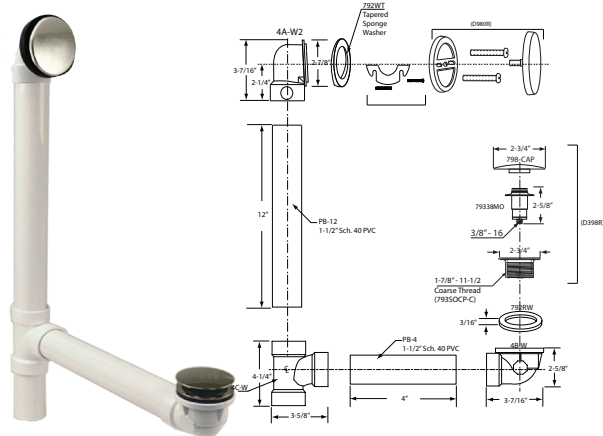
POLISHED BRASS (01 OR 03), POLISHED NICKEL (05), SATIN NICKEL (07), ANTIQUE COPPER (11), OIL RUBBED BRONZE (12), STAINLESS STEEL (20), POLISHED CHROME(26), WHITE (50), FLAT BLACK (62)



ABS Illusionary Tip-Toe

493144H-

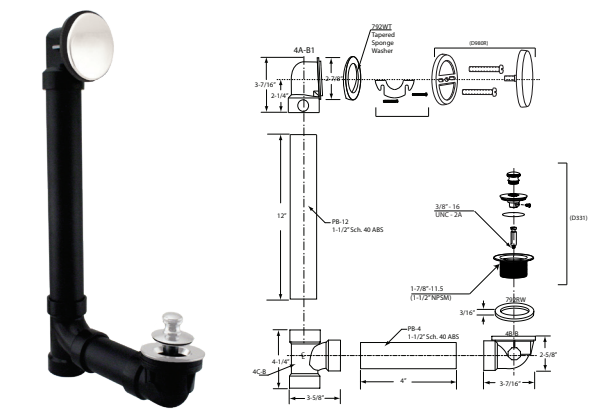
- | | | |
|---------------------------------------|---------|---------------|
| • 14" maximum make-up tub waste | 26 | 101.52 |
| • Illusionary faceplate - No Holes | 05, 07, | 128.59 |
| • 1-1/2" oversized tip-toe drain plug | 12, 50, | |
| • ADA approved stopper | 62 | |
| • Trim parts finished | | |
| • Includes 4" tailpiece | | |
| • Sch. 40 ABS tee, pipe and elbows | | |



PVC Illusionary Tip-Toe

493244H-

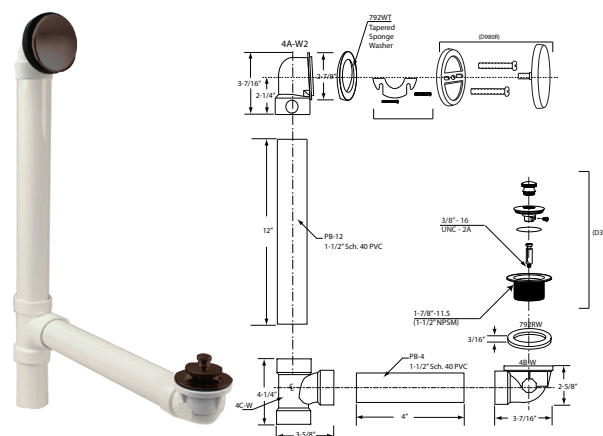
- | | | |
|---------------------------------------|---------|---------------|
| • 14" maximum make-up tub waste | 26 | 101.52 |
| • Illusionary faceplate - No Holes | 05, 07, | 128.59 |
| • 1-1/2" oversized tip-toe drain plug | 12, 50, | |
| • ADA approved stopper | 62 | |
| • Trim parts finished | | |
| • Includes 4" tailpiece | | |
| • Sch. 40 PVC tee, pipe and elbows | | |



ABS Illusionary Lift & Turn

494144H-

- | | | |
|------------------------------------|---------|---------------|
| • 14" maximum make-up tub waste | 26 | 101.52 |
| • Illusionary faceplate - No Holes | 05, 07, | 128.59 |
| • 1-1/2" pull & drain plug | 12, 50 | |
| • Positive drain seal | | |
| • Trim parts finished | | |
| • Includes 4" tailpiece | | |
| • Sch. 40 ABS tee, pipe and elbows | | |



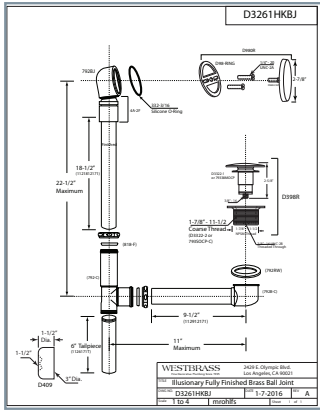
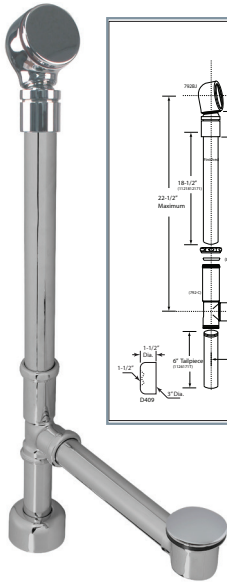
PVC Illusionary Tip-Toe

493244H-

- | | | |
|---------------------------------------|---------|---------------|
| • 14" maximum make-up tub waste | 26 | 101.52 |
| • Illusionary faceplate - No Holes | 05, 07, | 128.59 |
| • 1-1/2" oversized tip-toe drain plug | 12, 50, | |
| • ADA approved stopper | 62 | |
| • Trim parts finished | | |
| • Includes 4" tailpiece | | |
| • Sch. 40 PVC tee, pipe and elbows | | |

ALL EXPOSED ILLUSIONARY BRASS BATH WASTE

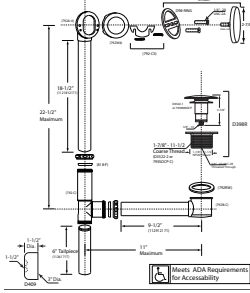
POLISHED BRASS (01 OR 03), POLISHED NICKEL (05), SATIN NICKEL (07), ANTIQUE COPPER (11), OIL RUBBED BRONZE (12), STAINLESS STEEL (20), POLISHED CHROME(26), WHITE (50), FLAT BLACK (62)



22" All Exposed Illusionary Tip-Toe

D3261HKBJ-

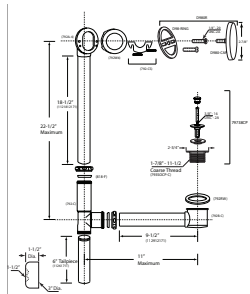
- | | | |
|---|---------|---------------|
| • 22-1/2" maximum make-up - 17 gauge brass tubes | 26 | 404.71 |
| • Oversized tip-toe drain plug for sleek coverage | 03, 05, | 431.78 |
| • ADA approved drain closure | 07, 12, | |
| • Illusionary faceplate - No ugly holes | 50, 62 | |
| • All exposed style with all parts finished | | |
| • Includes 6" tailpiece | | |
| • High box sure-grip flange for base | | |
| • Cast brass drain elbow, tee and nuts | | |
| • Machined brass ball-joint adjusts to any tub | | |
| • Cast brass overflow elbow with hidden silicone washer | | |



22" All Exposed Illusionary Tip-Toe

D3261HK-

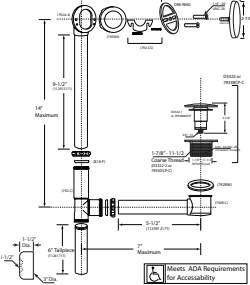
- | | | |
|--|---------|---------------|
| • 22-1/2" maximum make-up - 17 gauge brass tubes | 26 | 316.73 |
| • 1-1/2" tip toe drain plug - ADA approved | 03, 05, | 350.57 |
| • Illusionary faceplate - No Holes | 07, 12, | |
| • All exposed style with all parts finished | 50, 62 | |
| • Includes 6" tailpiece | | |
| • High box flange for base | | |



22" All Exposed Pull & Drain

D3265HK-

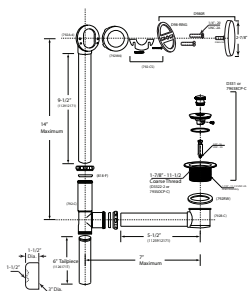
- | | | |
|--|---------|---------------|
| • 22-1/2" maximum make-up - 17 gauge brass tubes | 26 | 316.73 |
| • 1-1/2" pull & drain plug | 03, 05, | 350.57 |
| • Illusionary faceplate - No Holes | 07, 12, | |
| • All exposed style - all parts finished | 50, 62 | |
| • Includes 6" tailpiece | | |
| • High box flange for base | | |



14" All Exposed Tip-Toe

D3251HK-

- | | | |
|--|---------|---------------|
| • 14" maximum make-up - 17 gauge brass tubes | 26 | 296.43 |
| • Illusionary faceplate - No Holes | 03, 05, | 323.50 |
| • 1-1/2" oversized tip-toe drain plug | 07, 12, | |
| • ADA approved drain plug | 50, 62 | |
| • All exposed style - all parts finished | | |
| • Includes 6" tailpiece and high box flange for base | | |



14" All Exposed Pull & Drain

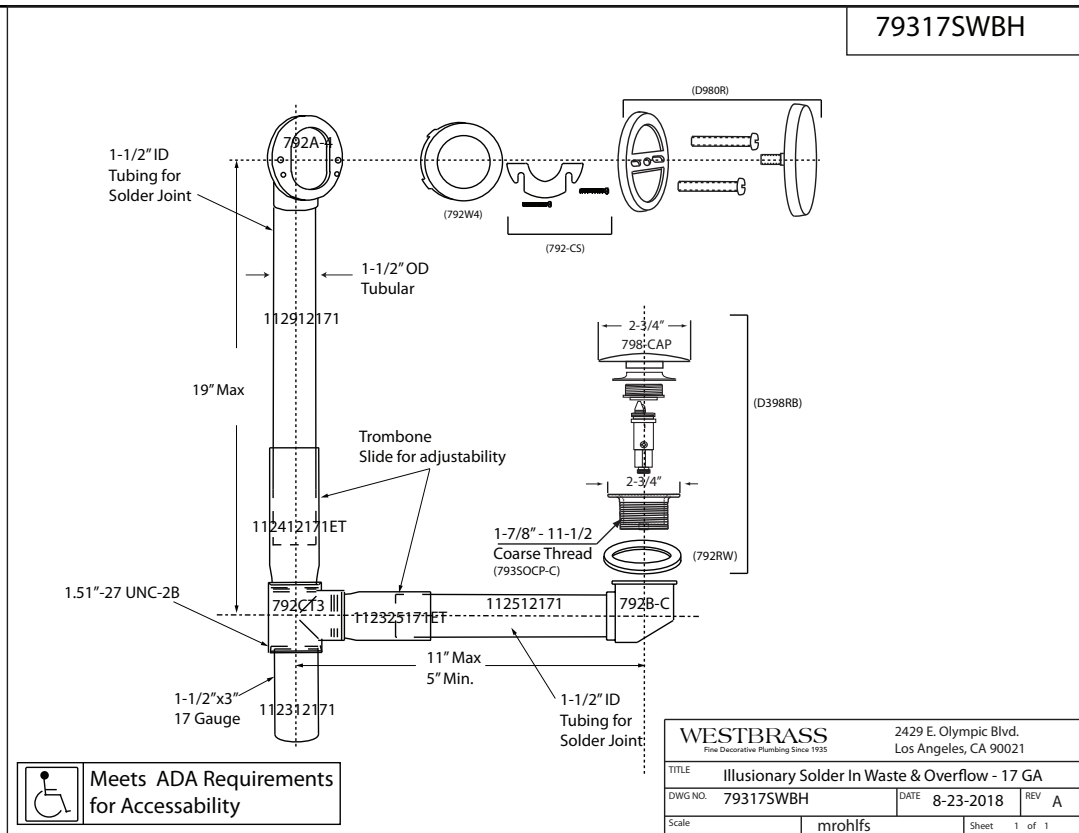
D3263HK-

- | | | |
|--|---------|---------------|
| • 14" maximum make-up - 17 gauge brass tubes | 26 | 296.43 |
| • 1-1/2" pull & drain plug | 03, 05, | 323.50 |
| • Illusionary faceplate - No Holes | 07, 12, | |
| • All exposed style - all parts finished | 50, 62 | |
| • Includes 6" tailpiece | | |
| • High box flange for base | | |

SOLDER IN WASTE AND OVERFLOWS

POLISHED BRASS (01 OR 03), POLISHED NICKEL (05), SATIN NICKEL (07), ANTIQUE COPPER (11), OIL RUBBED BRONZE (12), STAINLESS STEEL (20), POLISHED CHROME(26), WHITE (50), FLAT BLACK (62)

79317SWBH



Solder In Tip-Toe Waste and Overflow

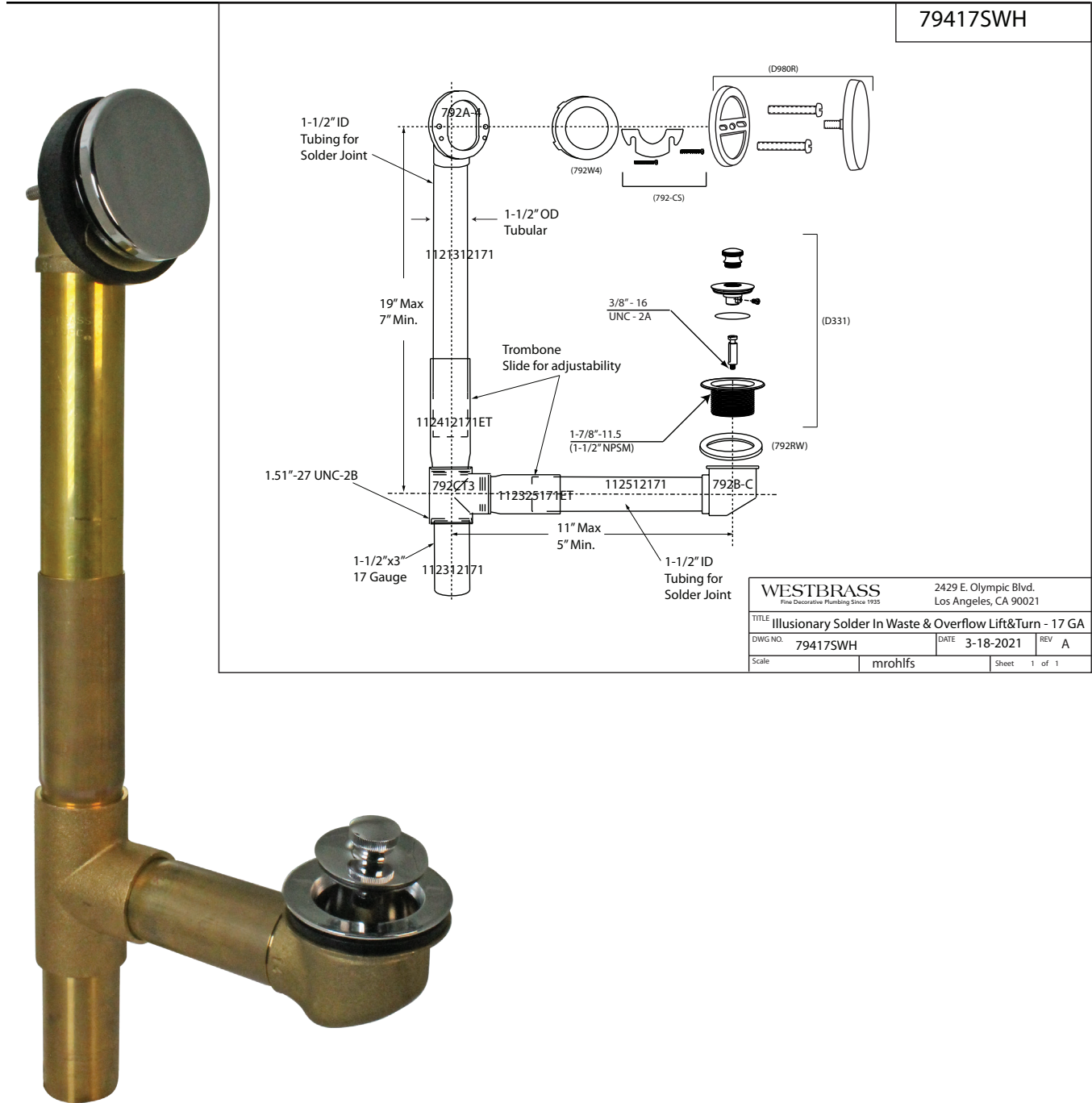
79317SWH-

- 19" maximum vertical make-up tub waste
- 11" maximum horizontal rough-in
- 17 gauge brass telescoping fittings for ultimate adjustment
- Illusionary no-hole faceplate give elegant tub wall finish
- ADA tip-toe tub drain trim for easy sealing and use
- Does not require access panel for most tub installations

26 **205.44**
01, 05, 07, **245.33**
12, 62

SOLDER IN WASTE AND OVERFLOWS

POLISHED BRASS (01 OR 03), POLISHED NICKEL (05), SATIN NICKEL (07), ANTIQUE COPPER (11), OIL RUBBED BRONZE (12), STAINLESS STEEL (20), POLISHED CHROME(26), WHITE (50), FLAT BLACK (62)



79417SWH

WESTBRASS <small>Fine Decorative Plumbing Since 1935</small>		2429 E. Olympic Blvd. Los Angeles, CA 90021	
TITLE Illusionary Solder In Waste & Overflow Lift&Turn - 17 GA			
DWG NO.	79417SWH	DATE	3-18-2021
		REV	A
Scale	mrohfs	Sheet	1 of 1

Solder In Waste and Overflow

79417SWH-

- 19" maximum vertical make-up tub waste
- 11" maximum horizontal rough-in
- 17 gauge brass telescoping fittings for ultimate adjustment
- Illusionary no-hole faceplate give elegant tub wall finish
- Lift and turn drain trim for easy sealing
- Does not require access panel for most tub installations

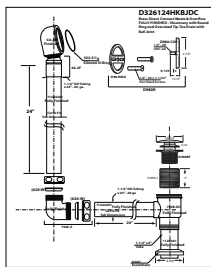
26	205.44
01, 05, 07,	245.33
12, 62	

79317SW-LT Rough only

179.00

SPECIALTY BATH WASTE & OVERFLOW

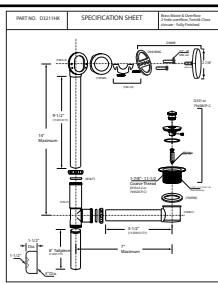
POLISHED BRASS (01 OR 03), POLISHED NICKEL (05), SATIN NICKEL (07), ANTIQUE COPPER (11), OIL RUBBED BRONZE (12), STAINLESS STEEL (20), POLISHED CHROME(26), WHITE (50), FLAT BLACK (62)



Illusionary All Exposed Waste & Overflow

D326124HRBJDC-

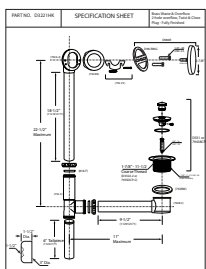
- 18" maximum make-up tub waste 26 **389.26**
- Modern elbow for exposed installation 03, 05, **402.52**
- Direct connect shoe outlet with flange 07, 12
- ADA approved tip-toe drain trim for easy sealing
- 17 gauge fully finished brass tubes



Illusionary Pull & Drain Waste & Overflow

D3211HK-

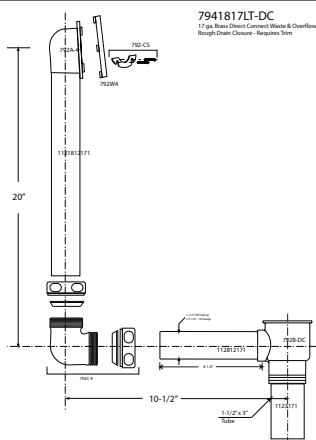
- 14" maximum make-up tub waste 26 **292.22**
- 17 gauge brass above floor tee outlet 03, 05, **312.67**
- Uses two-hole top elbow and no-hole cover 07, 12
- Lift and turn closure for positive sealing
- 6 in. tailpiece and flange included



Illusionary Pull & Drain Waste & Overflow

D3221HK-

- 22" maximum make-up tub waste 26 **296.76**
- 17 gauge brass above floor tee outlet 03, 05, **323.51**
- Uses two-hole top elbow and no-hole cover 07, 12
- Lift and turn closure for positive sealing
- 6 in. tailpiece and flange included



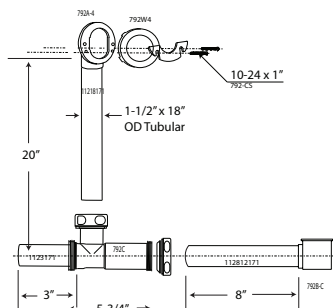
Direct Connect Waste & Overflow

7931817-DC-

- 18" maximum make-up tub waste 26 **185.44**
- Direct connect shoe outlet 03, 05, **200.33**
- ADA approved tip-toe drain trim for easy sealing 07, 12
- 17 gauge brass tubes

7941817LT-DC Rough only

178.67



Above Floor Waste & Overflow

7931817-AF-

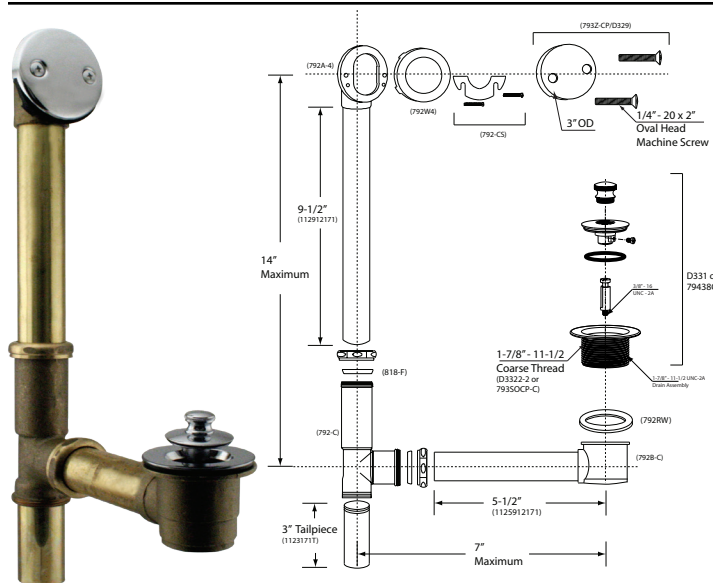
- 18" maximum make-up tub waste 26 **185.44**
- 17 gauge brass above floor tee outlet 03, 05, **200.33**
- Uses two-hole faceplate 07, 12
- ADA approved tip-toe drain trim for easy sealing

7941817LT-AF Rough only

178.67

TWIST & CLOSE BATH WASTE & OVERFLOW

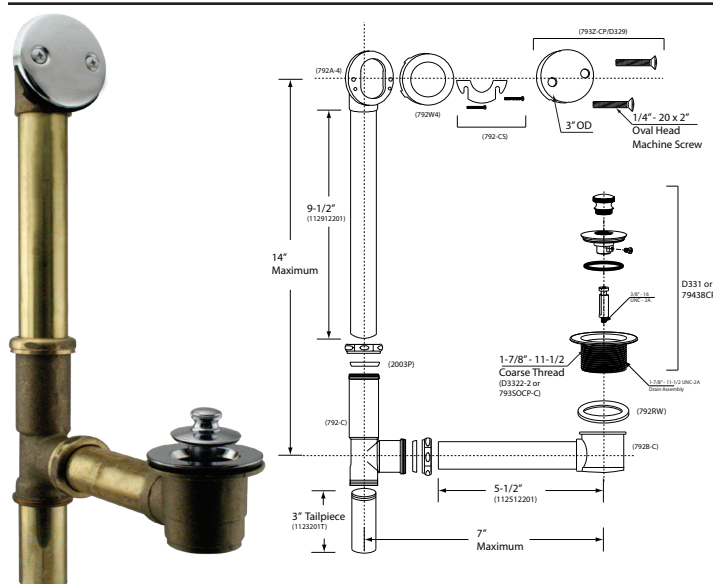
POLISHED BRASS (01 OR 03), POLISHED NICKEL (05), SATIN NICKEL (07), ANTIQUE COPPER (11), OIL RUBBED BRONZE (12), STAINLESS STEEL (20), POLISHED CHROME(26), WHITE (50), FLAT BLACK (62)



17 Gauge Twist & Close Bathwaste

D321- (79417)

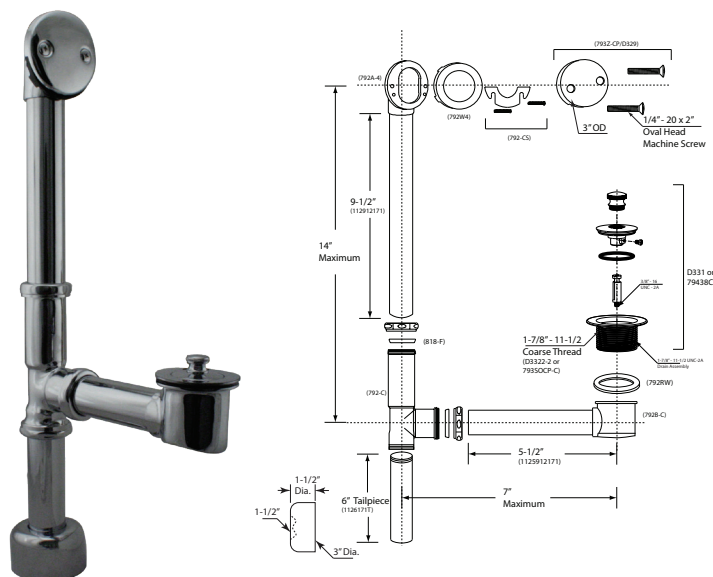
- 14" maximum make-up tub waste 26 **163.78**
- 1-1/2" twist & close drain plug 01, 05, **201.68**
- Two-hole faceplate 07, 12,
- Trim only finished 20, 50,
- Heavy duty metal construction 62
- 17 gauge brass tubes



20 Gauge Twist & Close Bathwaste

D321-20G- (79420)

- 14" maximum make-up tub waste 26 **147.54**
- 1-1/2" twist & close drain plug 01, 05, **188.14**
- Two-hole faceplate 07, 12,
- Trim only finished 20, 50,
- Heavy duty metal construction 62
- 20 gauge brass tubes



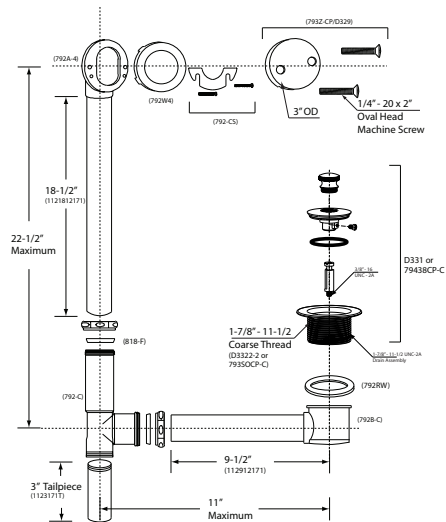
Fully Finished 17 Gauge Twist & Close Bathwaste

D3211K-

- 14" maximum make-up tub waste 26 **255.82**
- 1-1/2" twist & close drain plug 03, 05, **282.89**
- Two hole faceplate 07, 12,
- All exposed style 20, 50,
- All parts finished 62
- Includes 6" tailpiece
- High box flange
- 17 gauge brass tubes

TWIST & CLOSE BATH WASTE & OVERFLOW

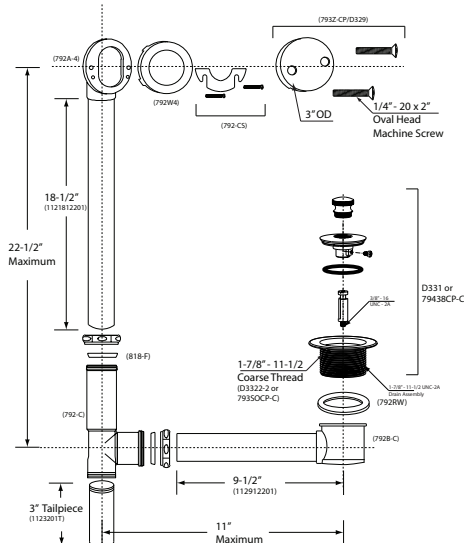
POLISHED BRASS (01 OR 03), POLISHED NICKEL (05), SATIN NICKEL (07), ANTIQUE COPPER (11), OIL RUBBED BRONZE (12), STAINLESS STEEL (20), POLISHED CHROME(26), WHITE (50), FLAT BLACK (62)



17 Gauge Twist & Close Bathwaste

D322- (7941817)

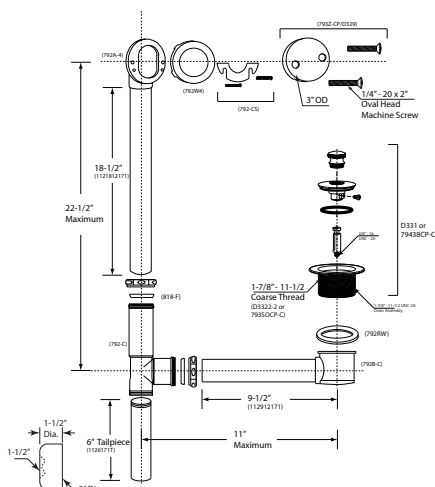
- 22-1/2" maximum make-up tub waste 26 **182.73**
- 1-1/2" twist & close drain plug 01, 05, **209.80**
- Two-hole faceplate 07, 12,
- Trim only finished 20, 50,
- Heavy duty metal construction 62
- 17 gauge brass tubes



20 Gauge Twist & Close Bathwaste

D322-20G- (7941820)

- 22-1/2" maximum make-up tub waste 26 **155.66**
- 1-1/2" twist & close drain plug 01, 05, **201.68**
- Two-hole faceplate 07, 12,
- Trim only finished 20, 50,
- Heavy duty metal construction 62
- 20 gauge brass tubes



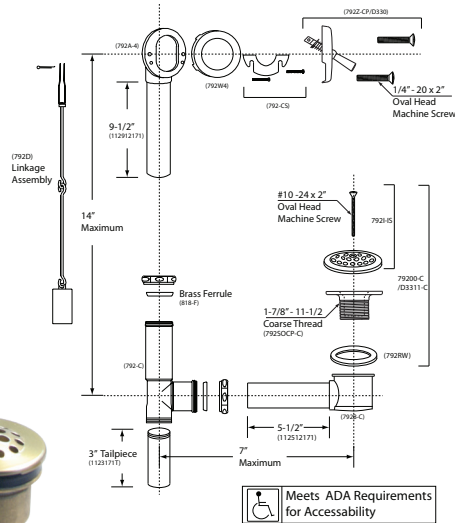
Fully Finished 17 gauge Twist & Close Bathwaste

D3221K-

- 22-1/2" maximum make-up tub waste 26 **269.36**
- 1-1/2" twist & close drain plug 03, 05, **299.13**
- Two-hole faceplate 07, 12,
- All exposed style 20, 50,
- All parts finished 62
- Includes 6" tailpiece
- High box flange
- 17 gauge brass tubes

TRIP LEVER BATH WASTE & OVERFLOW

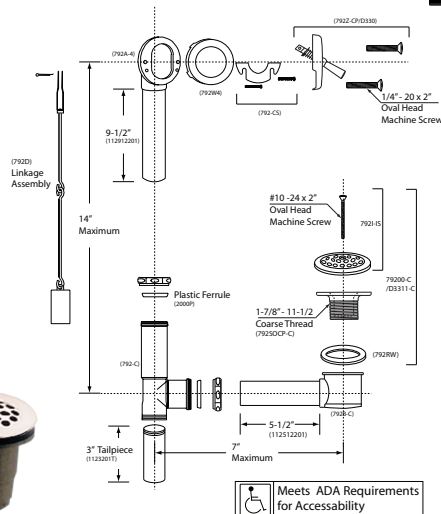
POLISHED BRASS (01 OR 03), POLISHED NICKEL (05), SATIN NICKEL (07), ANTIQUE COPPER (11), OIL RUBBED BRONZE (12), STAINLESS STEEL (20), POLISHED CHROME(26), WHITE (50), FLAT BLACK (62)



17 Gauge Trip Lever Bathwaste

D323- (79217)

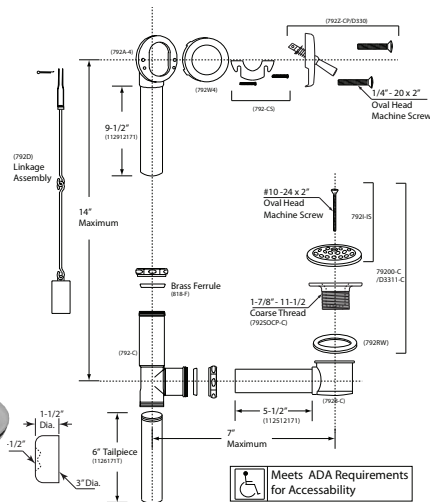
- | | | |
|----------------------------------|---------|---------------|
| • 14" maximum make-up tub waste | 26 | 169.19 |
| • 1-1/2" beehive grid drain plug | 01, 05, | 196.26 |
| • Trip lever faceplate | 07, 12, | |
| • Trim only finished | 20, 50, | |
| • Heavy duty metal construction | 62 | |
| • 17 gauge brass tubes | | |



20 Gauge Trip Lever Bathwaste

D323-20G- (79220)

- | | | |
|----------------------------------|---------|---------------|
| • 14" maximum make-up tub waste | 26 | 154.30 |
| • 1-1/2" beehive grid drain plug | 01, 05, | 181.38 |
| • Trip lever faceplate | 07, 12, | |
| • Trim only finished | 20, 50, | |
| • Heavy duty metal construction | 62 | |
| • 20 gauge brass tubes | | |



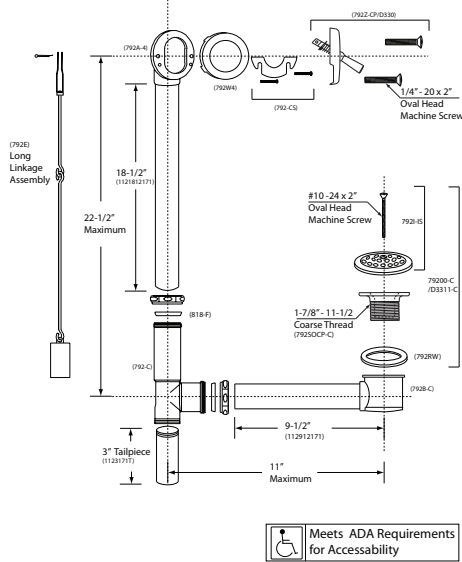
Fully Finished 17 Gauge Trip Lever Bathwaste

D3231K-

- | | | |
|----------------------------------|---------|---------------|
| • 14" maximum make-up tub waste | 26 | 269.36 |
| • 1-1/2" beehive grid drain plug | 03, 05, | 309.96 |
| • Trip lever faceplate | 07, 12, | |
| • All exposed style | 20, 50, | |
| • All parts finished | 62 | |
| • Includes 6" tailpiece | | |
| • High box flange | | |
| • 17 gauge brass tubes | | |

TRIP LEVER BATH WASTE & OVERFLOW

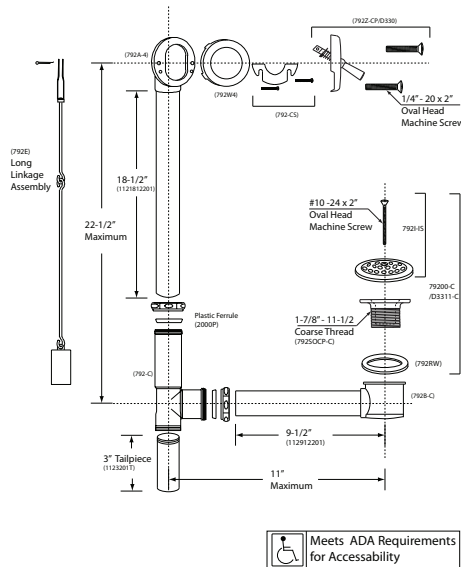
POLISHED BRASS (01 OR 03), POLISHED NICKEL (05), SATIN NICKEL (07), ANTIQUE COPPER (11), OIL RUBBED BRONZE (12), STAINLESS STEEL (20), POLISHED CHROME(26), WHITE (50), FLAT BLACK (62)



17 Gauge Trip Lever Bathwaste

D324- (7921817)

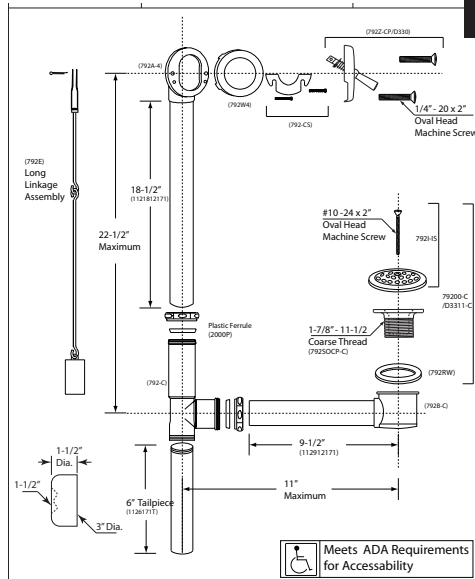
- 22-1/2" maximum make-up tub waste 26 **190.85**
- 1-1/2" beehive grid drain plug 01, 05, **217.92**
- Trip lever faceplate 07, 12,
- Trim only finished 20, 50, 62
- Heavy duty metal construction
- 17 gauge brass tubes



20 Gauge Trip Lever Bathwaste

D324-20G- (7921820)

- 22-1/2" maximum make-up tub waste 26 **154.30**
- 1-1/2" beehive grid drain plug 01, 05, **181.38**
- Trip lever faceplate 07, 12,
- Heavy duty metal construction 20, 50, 62
- 20 gauge brass tubes



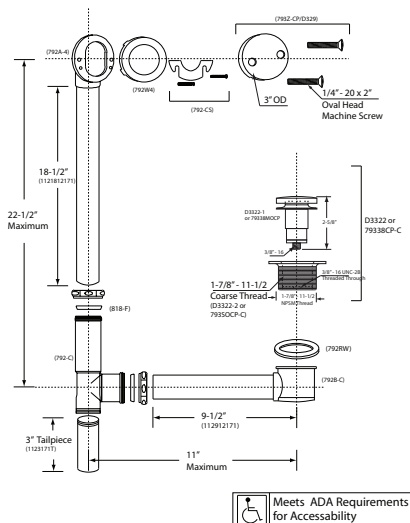
Fully Finished 17 Gauge Trip Lever Bathwaste

D3241K-

- 22-1/2" maximum make-up tub waste 26 **282.89**
- 1-1/2" beehive grid drain plug 03, 05, **323.50**
- Trip lever faceplate 07, 12,
- All exposed style 20, 50, 62
- All parts finished
- Includes 6" tailpiece
- High box flange
- 17 gauge brass tubes

TIP-TOE BATH WASTE & OVERFLOW

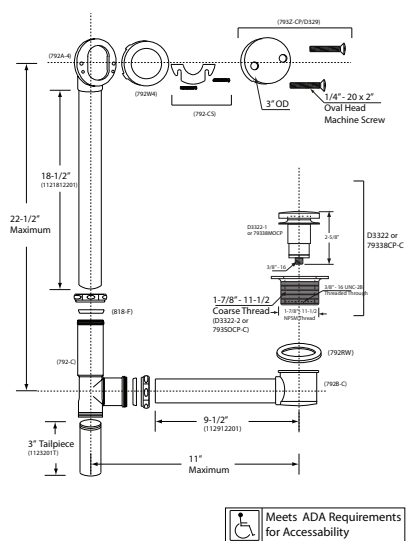
POLISHED BRASS (01 OR 03), POLISHED NICKEL (05), SATIN NICKEL (07), ANTIQUE COPPER (11), OIL RUBBED BRONZE (12), STAINLESS STEEL (20), POLISHED CHROME(26), WHITE (50), FLAT BLACK (62)



17 Gauge Tip-Toe Bathwaste

D326- (7931817)

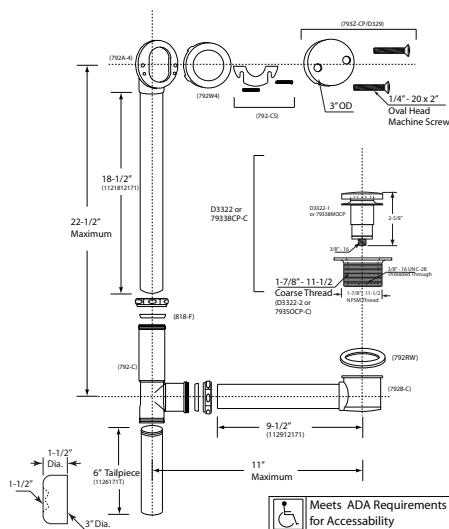
- 22-1/2" maximum make-up tub waste 26 **182.73**
- 1-1/2" tip toe drain plug 01, 05, **209.80**
- Two-hole faceplate 07, 12,
- Trim only finished 20, 50,
- Heavy duty metal construction 62
- 17 gauge brass tubes



20 Gauge Tip-Toe Bathwaste

D326-20G- (7931820)

- 22-1/2" maximum make-up tub waste 26 **161.07**
- 1-1/2" tip toe drain plug 01, 05, **201.68**
- Two-hole faceplate 07, 12,
- Trim only finished 20, 50,
- Heavy duty metal construction 62
- 20 gauge brass tubes



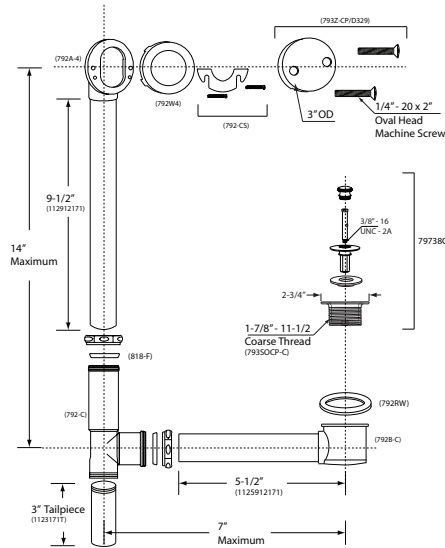
Fully Finished 17 Gauge Tip-Toe Bathwaste

D3261K-

- 22-1/2" maximum make-up tub waste 26 **269.36**
- 1-1/2" tip toe drain plug 03, 05, **299.13**
- Two-hole faceplate 07, 12,
- All exposed style 20, 50,
- All parts finished 62
- Includes 6" tailpiece
- High box flange
- 17 gauge brass tubes

PULL & DRAIN BATH WASTE & OVERFLOW

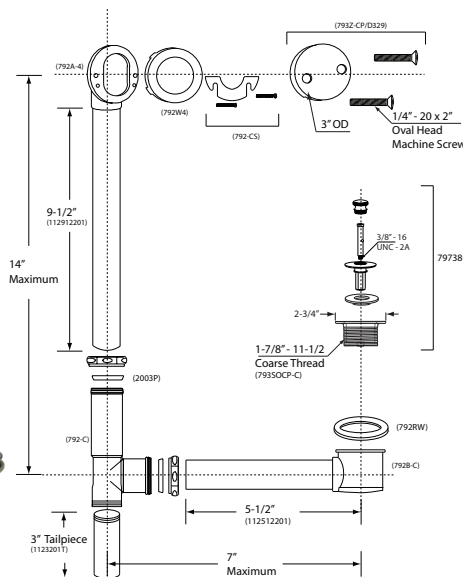
POLISHED BRASS (01 OR 03), POLISHED NICKEL (05), SATIN NICKEL (07), ANTIQUE COPPER (11), OIL RUBBED BRONZE (12), STAINLESS STEEL (20), POLISHED CHROME(26), WHITE (50), FLAT BLACK (62)



18 Gauge Pull & Drain Bathwaste

D3262- (79717)

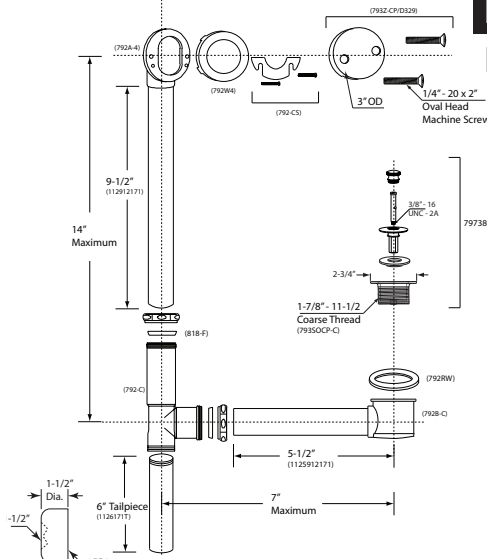
- 14" maximum make-up tub waste 26 **170.55**
- 1-1/2" pull & drain plug (D3324) 03, 05, **208.45**
- Two-hole faceplate (D328) 07, 12, 50, 62
- Trim only finished
- Heavy duty metal construction
- 20 gauge brass tubes



20 Gauge Pull & Drain Bathwaste

D3262-20G- (79720)

- 14" maximum make-up tub waste 26 **161.07**
- 1-1/2" pull & drain plug (D3324) 03, 05, **181.38**
- Two-hole faceplate (D328) 07, 12, 50, 62
- Trim only finished
- Heavy duty metal construction
- 20 gauge brass tubes



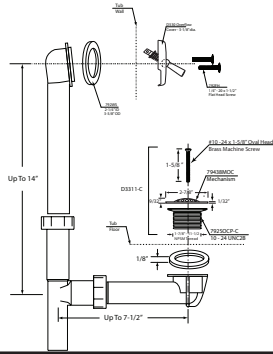
Fully Finished 17 Gauge Pull & Drain Bathwaste

D3263K-

- 14" maximum make-up tub waste 26 **296.43**
- 1-1/2" pull & drain plug (D3324) 03, 05, **299.13**
- All exposed style
- All parts finished
- Includes 6" tailpiece
- High box flange
- 17 gauge brass tubes

BLACK TUBULAR BATH WASTE & OVERFLOW

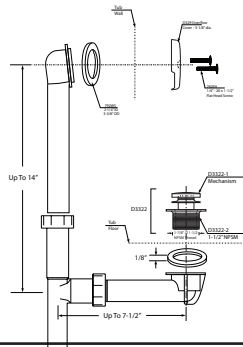
POLISHED BRASS (01 OR 03), POLISHED NICKEL (05), SATIN NICKEL (07), ANTIQUE COPPER (11), OIL RUBBED BRONZE (12), STAINLESS STEEL (20), POLISHED CHROME(26), WHITE (50), FLAT BLACK (62)



1-1/2" Black Tubular Trip Lever BW&O

592144-

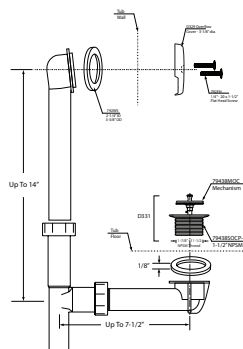
- 1-1/2" coarse beehive drain plug (D3311) 26 **55.50**
- Trip lever faceplate with screws (D330) 03, 05, **87.98**
- Black poly tubes with poly slip joint washers 07, 12, 20, 50, 62
- Heavy duty metal trim



1-1/2" Black Tubular Tip-Toe BW&O

593144-

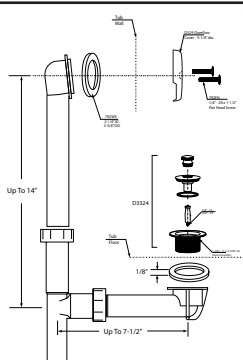
- 1-1/2" tip toe drain plug (D3322) 26 **55.50**
- 2-hole faceplate with screws (D329) 03, 05, **87.98**
- Black poly tubes with poly slip joint washers 07, 12, 20, 50, 62
- Heavy duty metal trim



1-1/2" Black Tubular Twist & Close BW&O

594144-

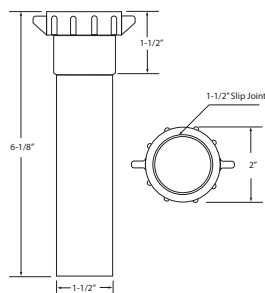
- 1-1/2" twist & close drain plug (D331) 26 **55.50**
- 2-hole faceplate with screws (D329) 03, 05, **87.98**
- Black poly tubes with poly slip joint washers 07, 12, 20, 50, 62
- Heavy duty metal trim



1-1/2" Black Tubular Pull & Drain BW&O

597144-

- 1-1/2" pull & drain drain plug (D3324) 26 **55.50**
- 2-hole faceplate with screws (D329) 03, 07, **87.98**
- Black poly tubes with poly slip joint washers 12, 20, 62
- Heavy duty metal trim



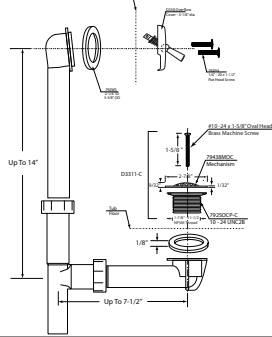
1-1/2" Black Bath Waste Extension Tube

109606

- 1-1/2" poly slip joint tube **9.47**
- Extends top tube length
- With poly slip joint washer and nut

WHITE TUBULAR BATH WASTE & OVERFLOW

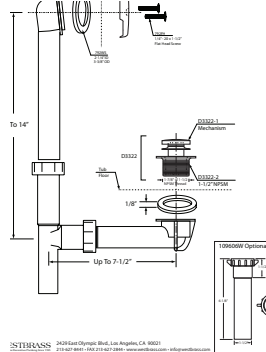
POLISHED BRASS (01 OR 03), POLISHED NICKEL (05), SATIN NICKEL (07), ANTIQUE COPPER (11), OIL RUBBED BRONZE (12), STAINLESS STEEL (20), POLISHED CHROME(26), WHITE (50), FLAT BLACK (62)



1-1/2" White Tubular Trip Lever BW&O

592244-

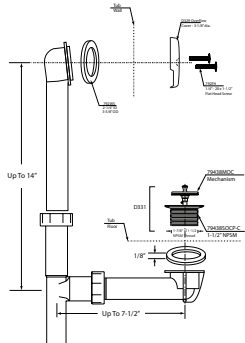
- 1-1/2" coarse thread beehive drain plug (D3311) 26 **55.50**
- Trip lever faceplate with screws (D330) 03, 05, **87.98**
- White poly tubes with poly slip joint washers 07, 12,
- Heavy duty metal trim 20, 50



1-1/2" White Tubular Tip Toe BW&O

593244-

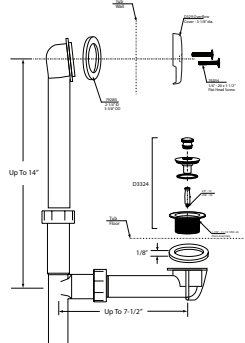
- 1-1/2" tip toe drain plug (D3322) 26 **55.50**
- 2-hole faceplate with screws (D329) 03, 05, **87.98**
- White poly tubes with poly slip joint washers 07, 12,
- Heavy duty metal trim 20, 50, 62



1-1/2" White Tubular Twist & Close BW&O

594244-

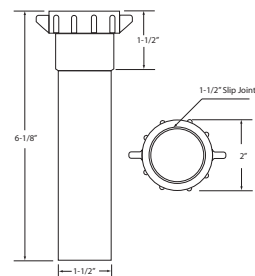
- 1-1/2" twist & close drain plug (D331) 26 **55.50**
- 2-hole faceplate with screws (D329) 03, 05, **87.98**
- White poly tubes with poly slip joint washers 07, 12,
- Heavy duty metal trim 20, 50



1-1/2" White Tubular Pull & Drain BW&O

597244-

- 1-1/2" pull & drain plug (D3324) 26 **55.50**
- 2-hole faceplate with screws (D329) 03, 07, **87.98**
- White poly tubes with poly slip joint washers 12, 20
- Heavy duty metal trim



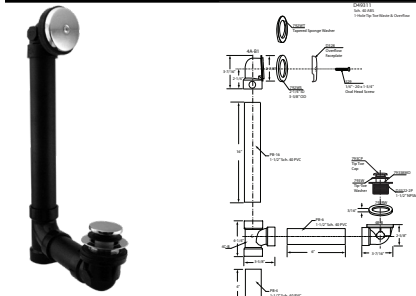
1-1/2" White Bath Waste Extension Tube

109606W

- 1-1/2" poly slip joint tube **9.47**
- Extends top tube length
- With poly slip joint washer and nut

ABS BATH WASTE & OVERFLOWS

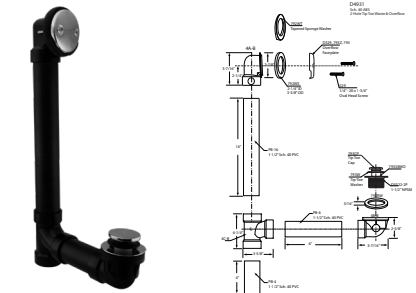
POLISHED BRASS (01 OR 03), POLISHED NICKEL (05), SATIN NICKEL (07), ANTIQUE COPPER (11), OIL RUBBED BRONZE (12), STAINLESS STEEL (20), POLISHED CHROME(26), WHITE (50), FLAT BLACK (62)



1-1/2" Sch. 40 ABS Tip-Toe BW&O

D49311-

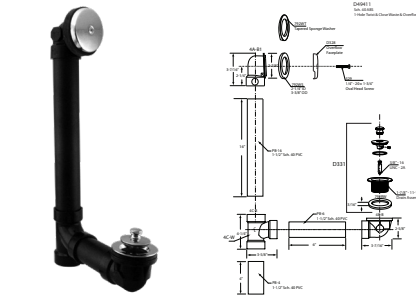
- | | | |
|--|-------------|--------------|
| • 1-1/2" tip toe drain plug (D3322) | 26 | 55.50 |
| • 1-hole faceplate with screw (D328) | 01, 05, 07, | 87.98 |
| • 12" x 4" ABS tubes, elbow, tee, and shoe | 12, 20, 50, | |
| • Heavy duty metal trim | 62 | |



1-1/2" Sch. 40 ABS Tip-Toe BW&O

D4931-

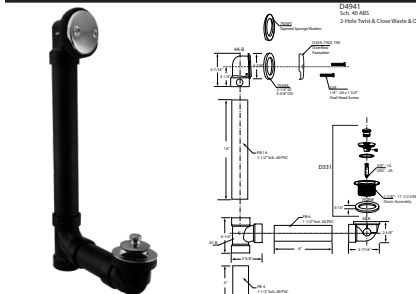
- | | | |
|--|-------------|--------------|
| • 1-1/2" tip toe drain plug (D3322) | 26 | 55.50 |
| • 2-hole faceplate with screws (D329) | 01, 05, 07, | 87.98 |
| • 12" x 4" ABS tubes, elbow, tee, and shoe | 12, 20, 50, | |
| • Heavy duty metal trim | 62 | |



1-1/2" Sch. 40 ABS Twist & Close BW&O

D49411-

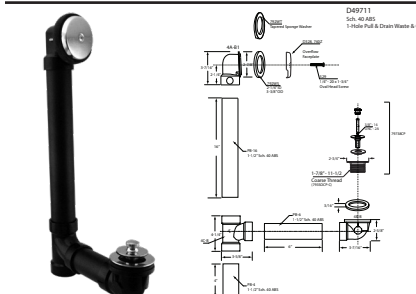
- | | | |
|--|-------------|--------------|
| • 1-1/2" twist & close drain plug (D331) | 26 | 55.50 |
| • 1-hole faceplate with screw (D328) | 01, 05, 07, | 87.98 |
| • 12" x 4" ABS tubes, elbow, tee, and shoe | 12, 20, 50, | |
| • Heavy duty metal trim | 62 | |



1-1/2" Sch. 40 ABS Twist & Close BW&O

D4941-

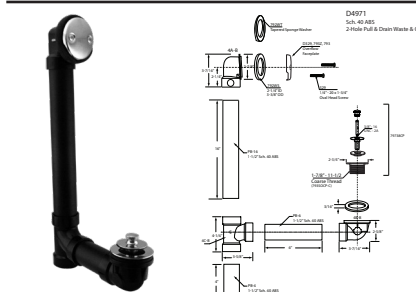
- | | | |
|--|-------------|--------------|
| • 1-1/2" twist & close drain plug (D331) | 26 | 55.50 |
| • 2-hole faceplate with screws (D329) | 01, 05, 07, | 87.98 |
| • 12" x 4" ABS tubes, elbow, tee, and shoe | 12, 20, 50, | |
| • Heavy duty metal trim | 62 | |



1-1/2" Sch. 40 ABS Pull & Drain BW&O

D49711-

- | | | |
|--|-------------|--------------|
| • 1-1/2" pull & drain plug (D3324) | 26 | 55.50 |
| • 2-hole faceplate with screws (D329) | 01, 05, 07, | 87.98 |
| • 12" x 4" ABS tubes, elbow, tee, and shoe | 12, 20, 50, | |
| • Heavy duty metal trim | 62 | |



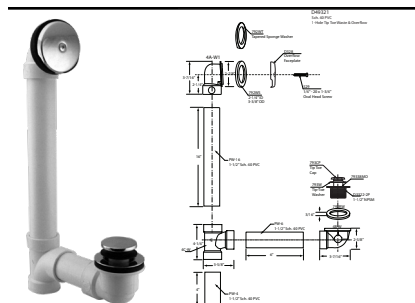
1-1/2" Sch. 40 ABS Pull & Drain BW&O

D4971-

- | | | |
|--|-------------|--------------|
| • 1-1/2" pull & drain plug (D3324) | 26 | 55.50 |
| • 2-hole faceplate with screws (D329) | 01, 05, 07, | 87.98 |
| • 12" x 4" ABS tubes, elbow, tee, and shoe | 12, 20, 50, | |
| • Heavy duty metal trim | 62 | |

PVC BATH WASTE & OVERFLOWS

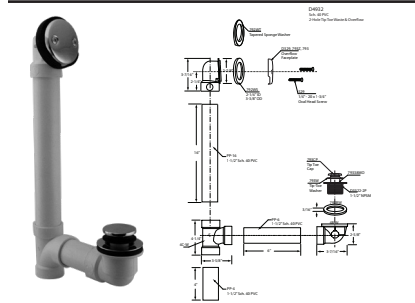
POLISHED BRASS (01 OR 03), POLISHED NICKEL (05), SATIN NICKEL (07), ANTIQUE COPPER (11), OIL RUBBED BRONZE (12), STAINLESS STEEL (20), POLISHED CHROME(26), WHITE (50), FLAT BLACK (62)



1-1/2" Sch. 40 PVC Tip-Toe BW&O

D49321-

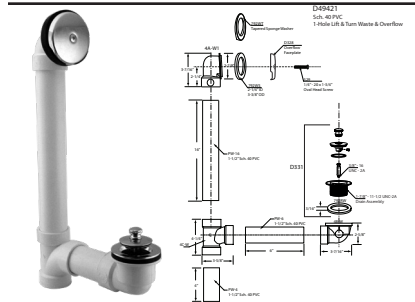
- | | | |
|--|-------------|--------------|
| • 1-1/2" tip toe drain plug (D3322) | 26 | 55.50 |
| • 1-hole faceplate with screw (D328) | 01, 05, 07, | 87.98 |
| • 12" x 4" PVC tubes, elbow, tee, and shoe | 12, 20, 50, | |
| • Heavy duty metal trim | 62 | |



1-1/2" Sch. 40 PVC Tip-Toe BW&O

D4932-

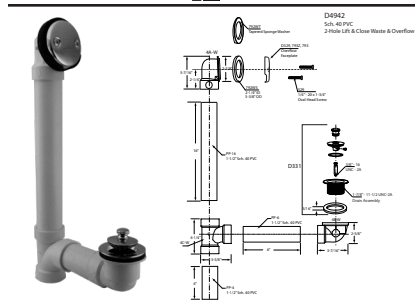
- | | | |
|--|-------------|--------------|
| • 1-1/2" tip toe drain plug (D3322) | 26 | 55.50 |
| • 2-hole faceplate with screws (D329) | 01, 05, 07, | 87.98 |
| • 12" x 4" PVC tubes, elbow, tee, and shoe | 12, 20, 50, | |
| • Heavy duty metal trim | 62 | |



1-1/2" Sch. 40 PVC Twist & Close BW&O

D49421-

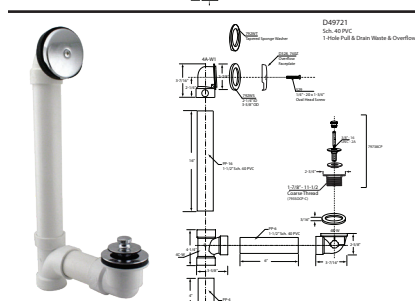
- | | | |
|--|-------------|--------------|
| • 1-1/2" twist & close drain plug (D331) | 26 | 55.50 |
| • 1-hole faceplate with screw (D328) | 01, 05, 07, | 87.98 |
| • 12" x 4" PVC tubes, elbow, tee, and shoe | 12, 20, 50, | |
| • Heavy duty metal trim | 62 | |



1-1/2" Sch. 40 PVC Twist & Close BW&O

D4942-

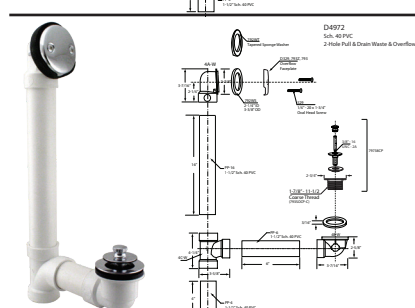
- | | | |
|--|-------------|--------------|
| • 1-1/2" twist & close drain plug (D331) | 26 | 55.50 |
| • 2-hole faceplate with screws (D329) | 01, 05, 07, | 87.98 |
| • 12" x 4" PVC tubes, elbow, tee, and shoe | 12, 20, 50, | |
| • Heavy duty metal trim | 62 | |



1-1/2" Sch. 40 PVC Pull & Drain BW&O

D49721-

- | | | |
|--|-------------|--------------|
| • 1-1/2" pull & drain plug (D3324) | 26 | 55.50 |
| • 2-hole faceplate with screws (D329) | 03, 05, 07, | 87.98 |
| • 12" x 4" PVC tubes, elbow, tee, and shoe | 12, 20, 50, | |
| • Heavy duty metal trim | 62 | |



1-1/2" Sch. 40 PVC Pull & Drain BW&O

D4972-

- | | | |
|--|-------------|--------------|
| • 1-1/2" pull & drain plug (D3324) | 26 | 55.50 |
| • 2-hole faceplate with screws (D329) | 03, 05, 07, | 87.98 |
| • 12" x 4" PVC tubes, elbow, tee, and shoe | 12, 20, 50, | |
| • Heavy duty metal trim | 62 | |

BATH WASTE & OVERFLOW TRIM KITS

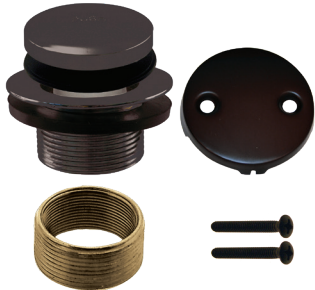
POLISHED BRASS (01 OR 03), POLISHED NICKEL (05), SATIN NICKEL (07), ANTIQUE COPPER (11), OIL RUBBED BRONZE (12), STAINLESS STEEL (20), POLISHED CHROME(26), WHITE (50), FLAT BLACK (62)



Tip Toe Universal Trim Set, 1-Hole

D931K-

- One-hole faceplate (D328) 26 **58.20**
- Tip toe mechanism Group II **85.27**
- 1-3/8"-16 fine thread strainer (D3323)
- 1-1/2" x 1-3/8" adapter bushing and converter bracket included
- Heavy duty metal trim



Tip Toe Universal Trim Set, 2-Hole

D93K-

- Two-hole faceplate (D329) 26 **62.26**
- Tip toe mechanism 01, 05, 07, **89.33**
- 1-3/8"-16 fine thread strainer (D3323) 12, 50, 62
- 1-1/2" x 1-3/8" adapter bushing included
- Heavy duty metal trim



Illusionary Tip Toe Universal Trim Set

D98HRK-

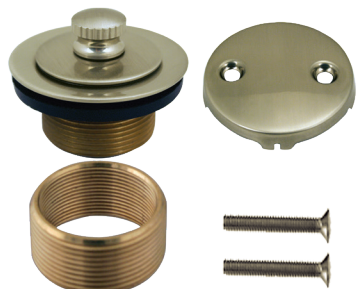
- No-hole faceplate (D980R) 26 **105.58**
- ADA approved Tip-toe mechanism 03, 05, 07, **119.11**
- 1-3/8"-16 fine thread strainer (D331-F) 12, 62
- 1-1/2" x 1-3/8" adapter bushing included
- Heavy duty metal trim



Twist & Close Universal Trim Set, 1-Hole

D941K-

- One-hole faceplate (D328) 26 **58.20**
- Twist & close mechanism 01, 05, 07, **85.27**
- 1-3/8"-16 fine thread strainer (D331-F) 12, 50, 62
- 1-1/2" x 1-3/8" adapter bushing and converter bracket included
- Heavy duty metal trim



Twist & Close Universal Trim Set, 2-Hole

D94K-

- Two-hole faceplate (D329) 26 **62.26**
- Twist & close mechanism 01, 05, 07, **89.33**
- 1-3/8"-16 fine thread strainer (D331-F) 12, 50, 62
- 1-1/2" x 1-3/8" adapter bushing included
- Heavy duty metal trim



Twist & Close Universal Trim Set, Hidden

D94HK-

- No-hole faceplate (D980R) 26 **87.98**
- Twist & close mechanism 01, 05, 07, **115.05**
- 1-3/8"-16 fine thread strainer (D331-F) 12, 50, 62
- 1-1/2" x 1-3/8" adapter bushing included
- Heavy duty metal trim

BATH WASTE & OVERFLOW TRIM KITS

POLISHED BRASS (01 OR 03), POLISHED NICKEL (05), SATIN NICKEL (07), ANTIQUE COPPER (11), OIL RUBBED BRONZE (12), STAINLESS STEEL (20), POLISHED CHROME(26), WHITE (50), FLAT BLACK (62)



Tip Toe Trim Set with Coarse Thread Strainer

D93-

- One-hole faceplate (D328) 26 **56.85**
- Tip toe mechanism (D3322) 01, 05, 07, **81.21**
- Coarse thread 12, 50, 62
- 1-1/2" NPSM (1-7/8" - 11-1/2 UNC) exterior
- Heavy duty metal construction



Tip Toe Trim Set with Coarse Thread Strainer

D93-2-

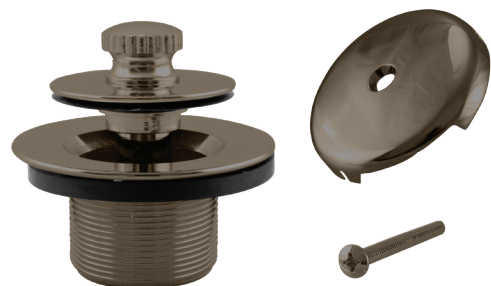
- Two-hole faceplate (D329) 26 **60.91**
- Tip toe mechanism (D3322) 01, 05, 07, **87.98**
- Coarse thread 12, 50, 62
- 1-1/2" NPSM (1-7/8" - 11-1/2 UNC) exterior
- Heavy duty metal construction



Round Mushroom Tip Toe Trim Set

D398RK-

- No-hole round faceplate (D980R) 26 **101.52**
- Round mushroom tip toe drain (D398R) 01, 05, 07, **121.82**
- Coarse thread 12, 20, 50, 62
- 1-1/2" NPSM (1-7/8" - 11-1/2 UNC) exterior
- Heavy duty metal construction



Twist & Close Trim Set with Coarse Thread Strainer

D94-

- One-hole faceplate (D328) 26 **55.50**
- Twist & close mechanism (D331) 01, 05, 07, **82.57**
- Coarse thread 12, 50, 62
- 1-1/2" NPSM (1-7/8" - 11-1/2 UNC) exterior
- Heavy duty metal construction



Twist & Close Trim Set with Coarse Thread Strainer

D94-2-

- Two-hole faceplate (D329) 26 **58.20**
- Twist & close mechanism (D331) 01, 05, 07, **85.27**
- Coarse thread 12, 50, 62
- 1-1/2" NPSM (1-7/8" - 11-1/2 UNC) exterior
- Heavy duty metal construction



Twist & Close Trim Set w/ Hidden Overflow

D94H-

- No-hole faceplate (D980R) 26 **81.21**
- Twist & close mechanism (D331) 01, 05, 07, **108.28**
- Coarse thread 12, 50, 62
- 1-1/2" NPSM (1-7/8" - 11-1/2 UNC) exterior
- Heavy duty metal construction

BATH TUB STRAINERS

POLISHED BRASS (01 OR 03), POLISHED NICKEL (05), SATIN NICKEL (07), ANTIQUE COPPER (11), OIL RUBBED BRONZE (12), STAINLESS STEEL (20), POLISHED CHROME(26), WHITE (50), FLAT BLACK (62)



Trip Lever Trim Set with Beehive Grid

D92 -

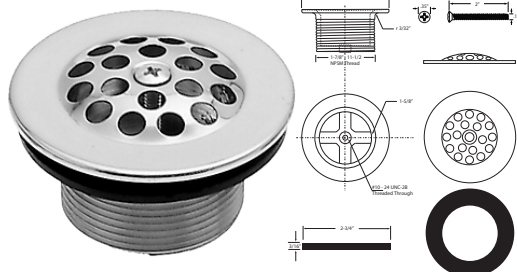
- | | | |
|---------------------------------|-------------|--------------|
| • Two-hole faceplate (D330) | 26 | 37.90 |
| • Beehive grid drain (D327) | 01, 05, 07, | 64.97 |
| • Plated brass screws | 11,12, 20, | |
| • Heavy duty metal construction | 50, 62 | |



Trip Lever Universal Trim Set

D92K-

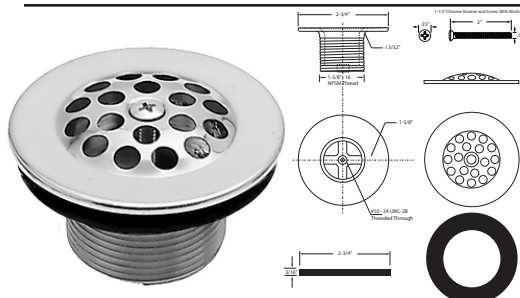
- | | | |
|---|-------------|--------------|
| • Trip lever faceplate (D330) | 26 | 62.26 |
| • Shoe strainer with grid and screw (D3311-F) | 01, 05, 07, | 86.63 |
| • 1-3/8"-16 fine thread strainer | 11, 12, 20, | |
| • 1-1/2" x 1-3/8" adapter bushing | 50, 62 | |
| • Heavy duty metal construction | | |



1-1/2" Bath Drain with Grid and Screw

D3311-C-

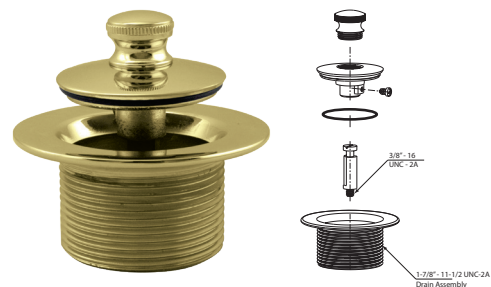
- | | | |
|--|-------------|--------------|
| • 1-1/2" beehive strainer style bath drain | 26 | 46.02 |
| • Coarse thread | 01, 05, 07, | 73.09 |
| • 1-1/2" NPSM (1-7/8" - 11-1/2 UNC) exterior | 12, 20, 50, | |
| • #10 - 24 x 1-5/8" oval head brass screw | 62 | |
| • Heavy duty metal construction | | |



1-3/8" Bath Drain with Grid and Screw

D3311-F-

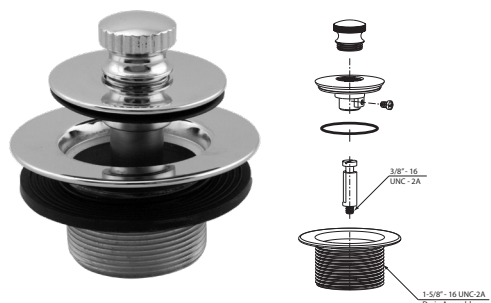
- | | | |
|--|-------------|--------------|
| • 1-3/8" beehive strainer style bath drain | 26 | 46.02 |
| • Fine thread | 01, 05, 07, | 73.09 |
| • 1-3/8" NPSM (1-5/8" - 16 UNC) exterior | 12, 20, 50, | |
| • #10 - 24 x 1-5/8" oval head brass screw | 62 | |
| • Heavy duty metal construction | | |



1-1/2" Twist & Close Bath Drain

D331-

- | | | |
|--|-------------|--------------|
| • 1-1/2" twist & close style bath drain | 26 | 46.02 |
| • Coarse thread | 01, 05, 07, | 73.09 |
| • 1-1/2" NPSM (1-7/8" - 11-1/2 UNC) exterior | 12, 20, 50, | |
| • Heavy duty metal construction | 62 | |



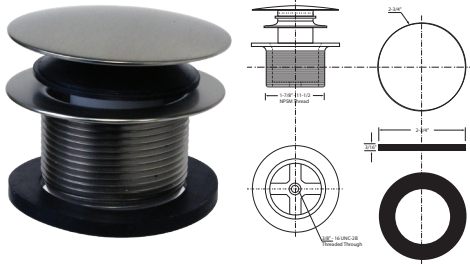
1-3/8" Twist & Close Bath Drain

D331-F-

- | | | |
|--|-------------|--------------|
| • 1-3/8" twist & close style bath drain | 26 | 46.02 |
| • Fine thread | 01, 05, 07, | 73.09 |
| • 1-3/8" NPSM (1-5/8" - 16 UNC) exterior | 12, 20, 50, | |
| • Heavy duty metal construction | 62 | |

BATH TUB STRAINERS

POLISHED BRASS (01 OR 03), POLISHED NICKEL (05), SATIN NICKEL (07), ANTIQUE COPPER (11), OIL RUBBED BRONZE (12), STAINLESS STEEL (20), POLISHED CHROME(26), WHITE (50), FLAT BLACK (62)

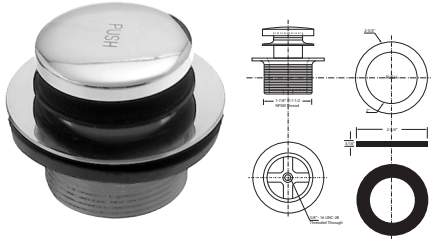


1-1/2" Round Mushroom Tip-Toe Bath Drain

D398R- 1-1/2" NPSM (1-7/8" - 11-1/2 UNC)

D398R-F- 1-1/4" NPSM (1-5/8" - 16 UNC)

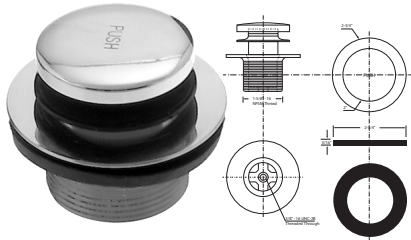
- Tip-Toe style bath drain 26 **60.91**
- European style full cover mushroom cap 01, 05, 07, **87.98**
- Sizes as marked above 12, 50, 62



1-1/2" Tip-Toe Bath Drain

D3322-

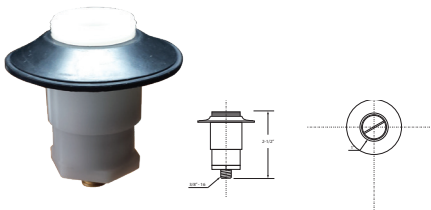
- 1-1/2" tip-toe style bath drain 26 **46.02**
- Coarse thread 01, 05, 07, **73.09**
- 1-1/2" NPSM (1-7/8" - 11-1/2 UNC) exterior 12, 50, 62
- Heavy duty metal construction



1-3/8" Tip-Toe Bath Drain

D3323-

- 1-3/8" tip-toe style bath drain 26 **46.02**
- Fine thread 01, 05, 07, **73.09**
- 1-3/8" NPSM (1-5/8" - 16 UNC) exterior 12, 50, 62
- Heavy duty metal construction



Tip Toe Plunger Only

79338MO (3/8 thread)

- Replacement plunger for D3322, D3323, D398R and D98R 13.54
- Less Cap

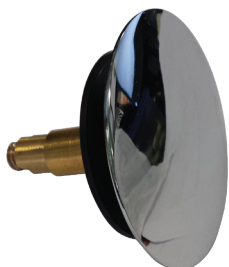
793516MO (5/16 thread) 13.54



Tip Toe Plunger and Plastic Cap

79338MO-**

- Replacement plunger for D3322 and D3323 CP **18.95**
- With Plastic Cap PB, SN **24.61**



Brass Adapter with D98 Brass Cover

D398RB-1-

- Replacement Plunger and Cover CP **58.85**
- Fits D398 and D98LT Drains 01, 05, 07, **63.84**
- Brass stopper with 3/8 in. tapping 12, 50, 62

BATH WASTE & OVERFLOW TRIM KITS

POLISHED BRASS (01 OR 03), POLISHED NICKEL (05), SATIN NICKEL (07), ANTIQUE COPPER (11), OIL RUBBED BRONZE (12), STAINLESS STEEL (20), POLISHED CHROME(26), WHITE (50), FLAT BLACK (62)

One-Hole Faceplate With Screw D328-

- One-hole overflow faceplate
- 1/4" - 20 brass screw included
- Heavy duty metal construction

26	8.12
01, 05, 07,	25.72
12, 20, 50, 62	

Two-Hole Faceplate With Screws D329-

- Two-hole overflow faceplate
- Two 1/4" - 20 brass screws included
- Heavy duty metal construction

26	16.24
01, 05, 07, 12,	32.49
20, 50, 62	

Trip Lever Faceplate With Screws D330-

- Trip lever overflow faceplate
- Two 1/4" - 20 brass screws included
- Heavy duty metal construction

26	29.78
01, 05, 07, 12,	46.02
20, 50, 62	

Round Floating Faceplate D980R-

- No-hole round overflow faceplate
- Adapter fits integrated overflow tubs
- Fits two hole top elbow overflows
- Two screws and mounting ring included
- Solid brass

26	60.91
01, 05, 07, 12,	79.86
20, 50, 62	

Beehive Style Tub Grid with Screw D327-

- Gerber style tub waste grid
- #10 - 24 x 1-5/8" oval head brass screw
- Heavy duty metal construction

26	16.24
01, 05, 07,	32.49
12, 20, 50,	
62	

Straight Adapter - 1-1/2 in.

442P (PVC) **10.83**

- 1-1/2" NPSM (1-7/8"-11.5 UNC-2B)
- Attaches integrated drain to plumbing
- Sch 40 Pipe Fitting

442A (ABS) **10.83**

CLOSING NO HOLE OVERFLOW

POLISHED BRASS (01 OR 03), POLISHED NICKEL (05), SATIN NICKEL (07), ANTIQUE COPPER (11), OIL RUBBED BRONZE (12), STAINLESS STEEL (20), POLISHED CHROME(26), WHITE (50), FLAT BLACK (62)

Patented Closing Metallic Overflow Cover

D493CHM-

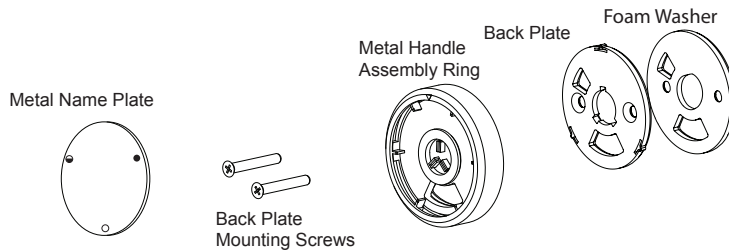
- Fits 2-hole overflow faceplate
- Replaces traditional overflow cover
- Heavy metallic construction
- Easily installs using a screwdriver

26

40.61

05, 06, 07,
12, 50

67.68



Closing Metallic Overflow Plumber's Pack

D593CHPM-

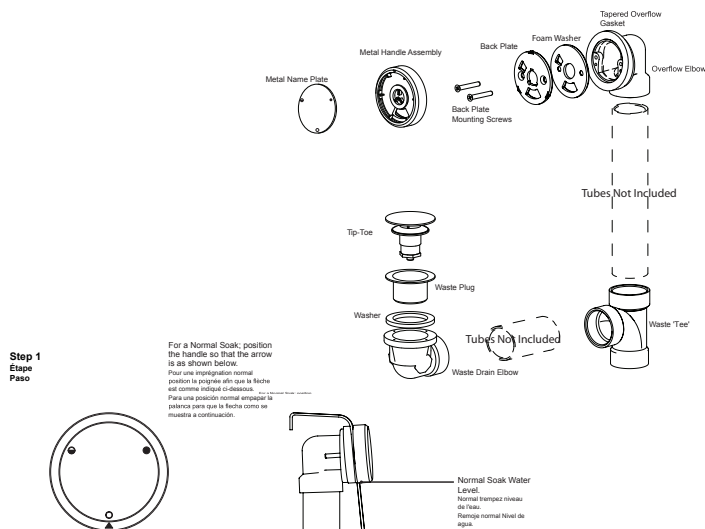
- Fits 2-hole overflow faceplate
- Replaces traditional overflow cover
- Heavy metallic construction
- Oversized tip-toe coverplate
- ADA approved drain
- Tee included
- Solvent weld using primer & PVC cement

26

90.69

05, 06, 07,
12, 50

115.05



Step 1
Etape
Paso

For a Normal Soak, position the handle so that the arrow is as shown below.
Pour une imbibition normale position le poignets afin que la flèche ait comme indiqué ci-dessous.
Para una pascada normal empujar la palanca para que la flecha como se muestra a continuación.

Step 2
Etape
Paso

For a Deeper Soak, position the handle so that the arrow is as shown below.
Pour une profonde imbibition position le poignets afin que la flèche ait comme illustré ci-dessous.
Para obtener una posición profunda empujar la palanca para que la flecha como se muestra a continuación.

Step 3
Etape
Paso

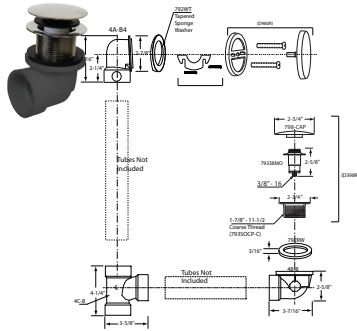
To close the Overflow position the handle so that the arrow is as shown below.
Pour fermer le débordement fermez le poignets afin que la flèche ait comme illustré ci-dessous.
Para cerrar el desbordamiento quite la manija para que la flecha como se muestra a continuación.

Do not fill the bathtub up to the Overflow Closed position, then get into the bath. You can displace the water and cause water damage.
Ne pas remplir la baignoire jusqu'à la position fermée de débordement de capacité, puis obtenez dans la baignoire. Vous pouvez déplacer l'eau et entraîner dommages causés par l'eau.
No se debe llenar la bañera hasta el desbordamiento punto-cerrado, a continuación, entrar en el baño. Puede desplazar el agua y causar daños causados por el agua.

Overflow Closed Water Level.
Débordement de l'eau d'eau fermée.
Desbordamiento Cerrado Nivel del Agua.

ILLUSIONARY OVERFLOW PLUMBER'S PACKS

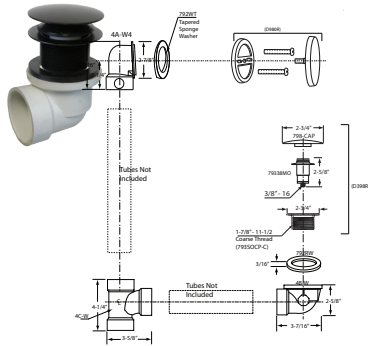
POLISHED BRASS (01 OR 03), POLISHED NICKEL (05), SATIN NICKEL (07), ANTIQUE COPPER (11), OIL RUBBED BRONZE (12), STAINLESS STEEL (20), POLISHED CHROME(26), WHITE (50), FLAT BLACK (62)



Illusionary Overflow ABS Plumber's Pack

D593AHRK- (D593ARK)

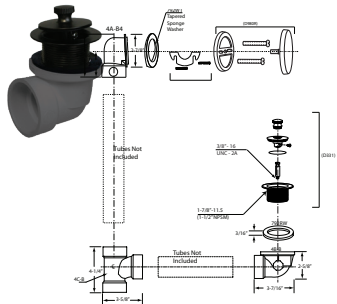
- Fits 2-hole overflow faceplate 26 **90.69**
- Replaces traditional overflow cover 05, 07, 12, **115.05**
- Heavy metallic construction 50, 62
- Oversized tip-toe coverplate
- ADA approved drain
- Tee included
- Solvent weld using primer & ABS cement



Illusionary Overflow PVC Plumber's Pack

D593PHRK- (D593PRK)

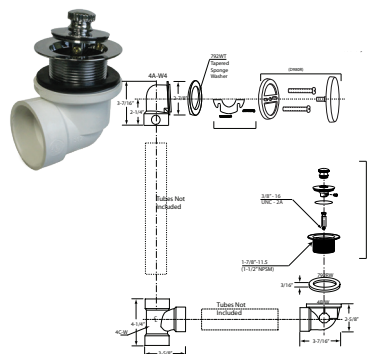
- Fits 2-hole overflow faceplate 26 **90.69**
- Replaces traditional overflow cover 05, 07, 12, **115.05**
- Heavy metallic construction 50, 62
- Oversized tip-toe coverplate
- ADA approved drain
- Tee included
- Solvent weld using primer & PVC cement



Illusionary Overflow ABS Plumber's Pack

D594AHRK-

- Fits 2-hole overflow faceplate 26 **90.69**
- Replaces traditional overflow cover 05, 07, 12, **115.05**
- Heavy metallic construction 50, 62
- Pull & Drain tub seal
- Tee included
- Solvent weld using primer & ABS cement



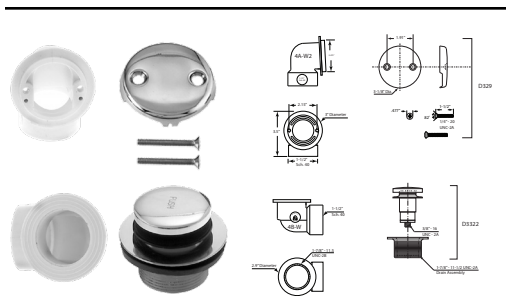
Illusionary Overflow PVC Plumber's Pack

D594PHRK-

- Fits 2-hole overflow faceplate 26 **90.69**
- Replaces traditional overflow cover 05, 07, 12, **115.05**
- Heavy metallic construction 50, 62
- Pull & Drain tub seal
- Tee included
- Solvent weld using primer & PVC cement

PVC & ABS PLUMBER'S PACKS

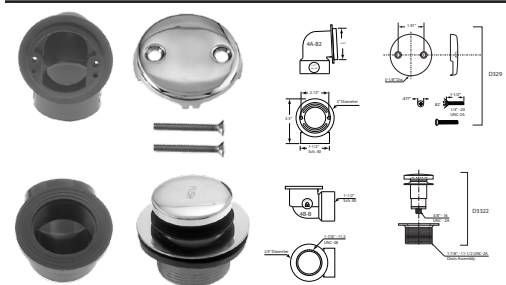
POLISHED BRASS (01 OR 03), POLISHED NICKEL (05), SATIN NICKEL (07), ANTIQUE COPPER (11), OIL RUBBED BRONZE (12), STAINLESS STEEL (20), POLISHED CHROME(26), WHITE (50), FLAT BLACK (62)



1-1/2" Sch. 40 PVC Tip Toe Plumber's Pack

D532-

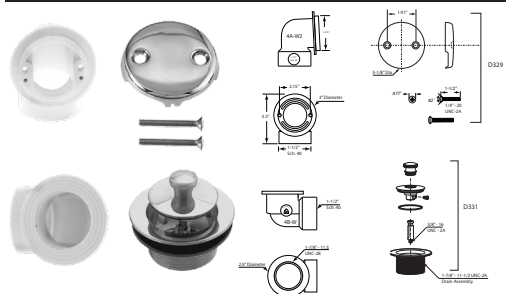
- | | | |
|---|-------------|--------------|
| • 1-1/2" tip toe style drain (D3322) | 26 | 52.79 |
| • Two-hole faceplate (D329) | 01, 05, 07, | 78.96 |
| • PVC top elbow and shoe elbow included | 12, 20, 50, | |
| • Heavy duty metal construction | 62 | |
| • Tubing & tee not included | | |



1-1/2" Sch. 40 ABS Tip Toe Plumber's Pack

D534-

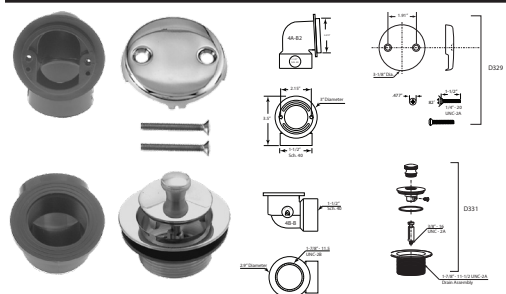
- | | | |
|---|-------------|--------------|
| • 1-1/2" tip toe style drain (D3322) | 26 | 52.79 |
| • Two-hole faceplate (D329) | 01, 05, 07, | 78.96 |
| • ABS top elbow and shoe elbow included | 12, 20, 50, | |
| • Heavy duty metal construction | 62 | |
| • Tubing & tee not included | | |



1-1/2" Sch. 40 PVC Twist & Close Plumber's Pack

D542-

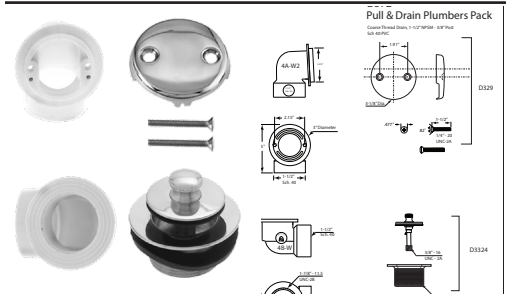
- | | | |
|---|-------------|--------------|
| • 1-1/2" twist & close style drain (D331) | 26 | 52.79 |
| • Two-hole faceplate (D329) | 01, 05, 07, | 78.96 |
| • PVC top elbow and shoe elbow included | 12, 20, 50, | |
| • Heavy duty metal construction | 62 | |
| • Tubing & tee not included | | |



1-1/2" Sch. 40 ABS Twist & Close Plumber's Pack

D544-

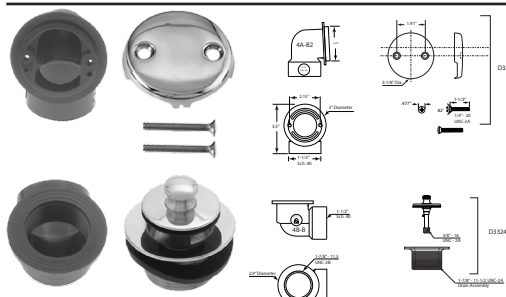
- | | | |
|---|-------------|--------------|
| • 1-1/2" twist & close style drain (D331) | 26 | 52.79 |
| • Two-hole faceplate (D329) | 01, 05, 07, | 78.96 |
| • ABS top elbow and shoe elbow included | 12, 20, 50, | |
| • Heavy duty metal construction | 62 | |
| • Tubing & tee not included | | |



1-1/2" Sch. 40 PVC Pull & Drain Plumber's Pack

D572-

- | | | |
|---|-------------|--------------|
| • 1-1/2" pull & drain style drain | 26 | 52.79 |
| • Two-hole faceplate (D329) | 01, 05, 07, | 78.96 |
| • PVC top elbow and shoe elbow included | 12, 20, 50, | |
| • Heavy duty metal construction | 62 | |
| • Tubing & tee not included | | |



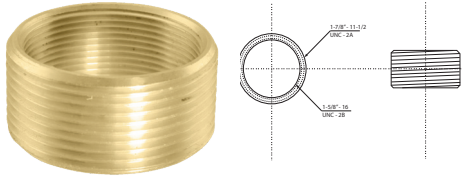
1-1/2" Sch. 40 ABS Pull & Drain Plumber's Pack

D574-

- | | | |
|---|-------------|--------------|
| • 1-1/2" pull & drain style drain | 26 | 52.79 |
| • Two-hole faceplate (D329) | 01, 05, 07, | 78.96 |
| • ABS top elbow and shoe elbow included | 12, 20, 50, | |
| • Heavy duty metal construction | 62 | |
| • Tubing & tee not included | | |

Brass Adapter Bushing

792BB

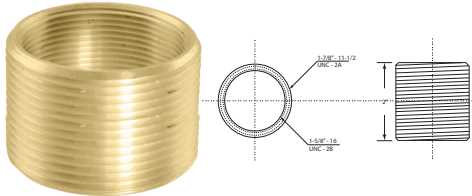


- Converts 1-3/8" fine to 1-1/2" coarse thread
- 1-7/8" - 11-1/2 x 1-5/8" - 16 adapter bushing

16.24

Long Brass Adapter Bushing

792BB-2

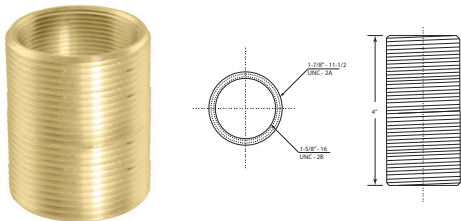


- Converts 1-3/8" fine to 1-1/2" coarse thread
- 1-7/8" - 11-1/2 x 1-5/8" - 16 adapter bushing
- 2 in. long bushing

28.42

Long Brass Adapter Bushing

792BB-4

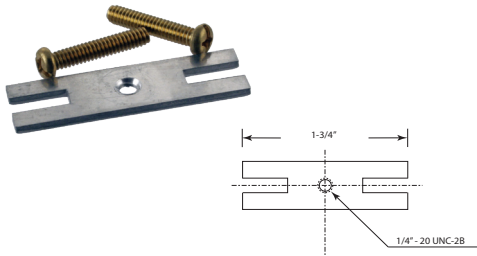


- Converts 1-3/8" fine to 1-1/2" coarse thread
- 1-7/8" - 11-1/2 x 1-5/8" - 16 adapter bushing
- 4 in. long bushing

79.86

Top Elbow Converter Bracket

792BR

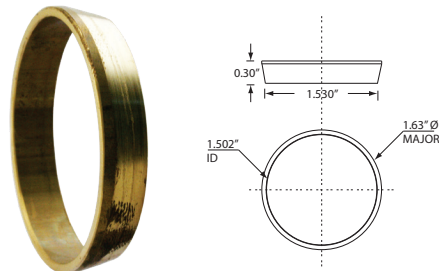


- Converts two hole elbow for 1-hole faceplates

8.12

Brass Half Ferrule

818-F

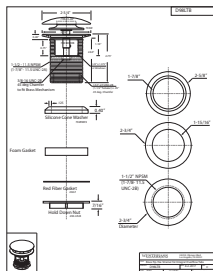


- Brass compression ferrule
- Can be soldered for commercial applications
- Can be used in all brass tube kits

9.47

ISLAND TUB DRAINS FOR INTEGRATED OVERFLOW BATH TUBS

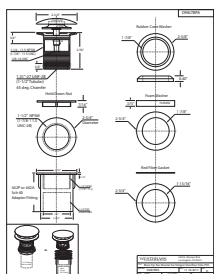
POLISHED BRASS (01 OR 03), POLISHED NICKEL (05), SATIN NICKEL (07), ANTIQUE COPPER (11), OIL RUBBED BRONZE (12), STAINLESS STEEL (20), POLISHED CHROME(26), WHITE (50), FLAT BLACK (62)



Integrated Overflow Tip-Toe Tub Drain

D98LTB-

- 1-1/2" NPSM tip-toe tub drain 26 **154.59**
- Requires integrated overflow tubs 01, 05, 07, **181.41**
- Includes nut, tapered and sponge washers and friction fiber washer 12, 20, 50, 62

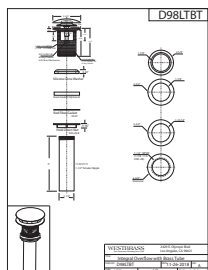


Integrated Overflow Tip-Toe Tub with Adapter

D98LTBPA- For PVC Adapter

- 1-1/2" NPSM tip-toe tub drain 26 **159.59**
- Use "P" for PVC and "A" ABS glue in fitting 01, 05, 07, **186.41**
- Requires integrated overflow tubs 12, 20, 50, 62

D98LTBAA- For ABS Adapter



Integrated Overflow Tip-Toe Tub with Tube

D98LTBT-

- 1-1/2" NPSM tip-toe tub drain 26 **159.59**
- 1-1/2 in x 6 in. tubular 17 ga brass extension 01, 05, 07, **186.41**
- Designed for slip joint or island drain installation 12, 20, 50, 62
- Requires integrated overflow tubs



Integrated Illusionary Channel Tip-Toe

D980LTBPA- For PVC Adapter

- 1-1/2" NPSM tip-toe tub drain 26 **179.59**
- Illusionary overflow cover for round overflows 01, 05, 07, **227.62**
- Use "P" for PVC and "A" ABS glue in fitting 12, 20, 50, 62
- Requires integrated overflow tubs

D980LTBAA- For ABS Adapter



Island Drain for Integrated Overflow Tubs

TC3A

- ABS **199.00**
- Includes flanged and threaded tube
- Silicone grease
- 2 in. x 1-1/2 in. reducer bushing
- 6 stainless steel screws
- Trap adapter with nut and gasket



Island Drain for Integrated Overflow Tubs

TC3P

- PVC **199.00**
- Includes flanged and threaded tube
- Silicone grease
- 2 in. x 1-1/2 in. reducer bushing
- 6 stainless steel screws
- Trap adapter with nut and gasket

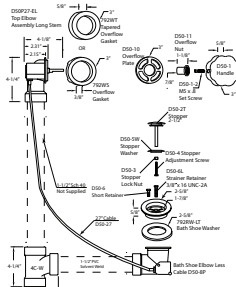
ABS CABLE DRIVEN BATH WASTE & OVERFLOWS

POLISHED BRASS (01 OR 03), POLISHED NICKEL (05), SATIN NICKEL (07), ANTIQUE COPPER (11), OIL RUBBED BRONZE (12), STAINLESS STEEL (20), POLISHED CHROME(26), WHITE (50), FLAT BLACK (62)

		<h2>1-1/2" Sch. 40 ABS Cable Driven BW&O</h2>
<h3>D50A27-</h3>		
<ul style="list-style-type: none"> 1-1/2" schedule 40 ABS cable driven bath waste 26 186.79 27" cable - trim includes brass handle, back plate, pop-up, and strainer plate 01, 05, 07, 238.22 All glue type - tubes not included 12, 20, 50, 62 		
<h3>D50A27-LT less trim 81.21</h3>		
		<h2>1-1/2" Sch. 40 ABS Ball Joint Cable Driven BW&O</h2>
<h3>D50A27BJ-</h3>		
<ul style="list-style-type: none"> 1-1/2" schedule 40 ABS cable driven bath waste 26 193.56 27" cable - trim includes brass handle, back plate, pop-up, and strainer plate 01, 05, 07, 246.35 All glue type - tubes not included 12, 20, 50, 62 		
<h3>D50A27BJ-LT less trim 92.04</h3>		
		<h2>1-1/2" Sch. 40 ABS Cable Driven BW&O</h2>
<h3>D50A35-</h3>		
<ul style="list-style-type: none"> 1-1/2" schedule 40 ABS cable driven bath waste 26 194.91 35" cable - trim includes brass handle, back plate, pop-up, and strainer plate 01, 05, 07, 246.35 All glue type - tubes not included 12, 20, 50, 62 		
<h3>D50A35-LT less trim 92.04</h3>		
		<h2>1-1/2" Sch. 40 ABS Ball Joint Cable Driven BW&O</h2>
<h3>D50A35BJ-</h3>		
<ul style="list-style-type: none"> 1-1/2" schedule 40 ABS cable driven bath waste 26 201.68 35" cable - trim includes brass handle, back plate, pop-up, and strainer plate 01, 05, 07, 254.47 All glue type - tubes not included 12, 20, 50, 62 		
<h3>D50A35BJ-LT less trim 100.16</h3>		
		<h2>1-1/2" Sch. 40 ABS Cable Driven BW&O</h2>
<h3>D50A45-</h3>		
<ul style="list-style-type: none"> 1-1/2" schedule 40 ABS cable driven bath waste 26 201.68 45" cable - trim includes brass handle, back plate, pop-up, and strainer plate 01, 05, 07, 254.47 All glue type - tubes not included 12, 20, 50, 62 		
<h3>D50A45-LT less trim 100.16</h3>		
		<h2>1-1/2" Sch. 40 ABS Ball Joint Cable Driven BW&O</h2>
<h3>D50A45BJ-</h3>		
<ul style="list-style-type: none"> 1-1/2" slip joint tubular cable driven bath waste 26 211.15 27" cable - slip joint adjustability 01, 05, 07, 262.59 Trim includes brass handle, back plate, large stopper, and strainer plate 12, 20, 50, 62 		
<h3>D50A45BJ-LT less trim 106.93</h3>		

PVC CABLE DRIVEN BATH WASTE & OVERFLOWS

POLISHED BRASS (01 OR 03), POLISHED NICKEL (05), SATIN NICKEL (07), ANTIQUE COPPER (11), OIL RUBBED BRONZE (12), STAINLESS STEEL (20), POLISHED CHROME(26), WHITE (50), FLAT BLACK (62)

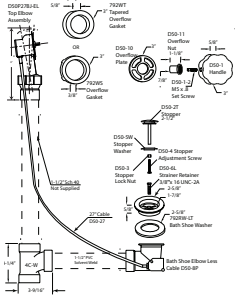


1-1/2" Sch. 40 PVC Cable Driven BW&O

D50P27-

- 1-1/2" schedule 40 PVC cable driven bath waste 26 **186.79**
- 27" cable - trim includes brass handle, back plate, pop-up, and strainer plate 01, 05, 07, 12, 20, 50, 62 **238.22**
- All glue type - tubes not included

D50P27-LT less trim **85.27**

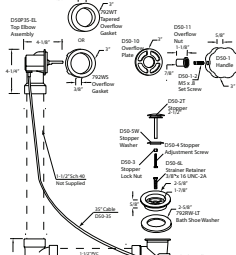


1-1/2" Sch. 40 PVC Ball Joint Cable Driven BW&O

D50P27BJ-

- 1-1/2" schedule 40 PVC cable driven bath waste 26 **193.56**
- 27" cable - trim includes brass handle, back plate, pop-up, and strainer plate 01, 05, 07, 12, 20, 50, 62 **246.35**
- All glue type - tubes not included

D50P27BJ-LT less trim **92.04**

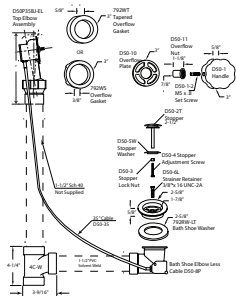
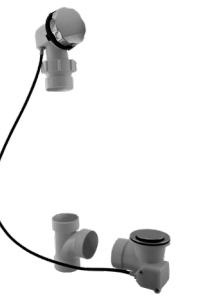


1-1/2" Sch. 40 PVC Cable Driven BW&O

D50P35-

- 1-1/2" schedule 40 PVC cable driven bath waste 26 **194.91**
- 35" cable - trim includes brass handle, back plate, pop-up, and strainer plate 01, 05, 07, 12, 20, 50, 62 **246.35**
- All glue type - tubes not included

D50P35-LT less trim **92.04**

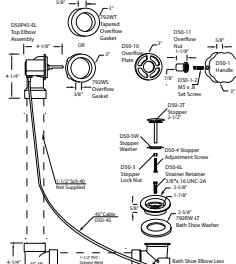


1-1/2" Sch. 40 PVC Ball Joint Cable Driven BW&O

D50P35BJ-

- 1-1/2" schedule 40 PVC cable driven bath waste 26 **201.68**
- 35" cable - trim includes brass handle, back plate, pop-up, and strainer plate 01, 05, 07, 12, 20, 50, 62 **254.47**
- All glue type - tubes not included

D50P35BJ-LT less trim **100.16**

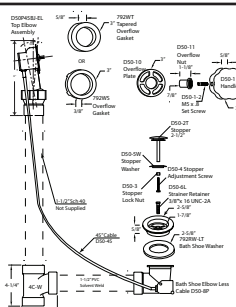


1-1/2" Sch. 40 PVC Cable Driven BW&O

D50P45-

- 1-1/2" schedule 40 PVC cable driven bath waste 26 **201.68**
- 45" cable - trim includes brass handle, back plate, pop-up, and strainer plate 01, 05, 07, 12, 20, 50, 62 **254.47**
- All glue type - tubes not included

D50P45-LT less trim **100.16**



1-1/2" Sch. 40 PVC Ball Joint Cable Driven BW&O

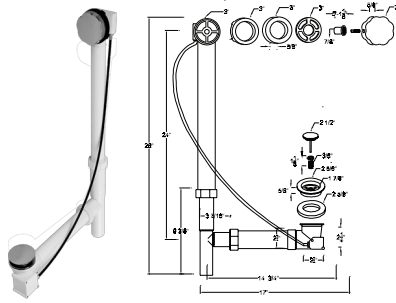
D50P45BJ-

- 1-1/2" schedule 40 PVC cable driven bath waste 26 **211.15**
- 45" cable - trim includes brass handle, back plate, pop-up, and strainer plate 01, 05, 07, 12, 20, 50, 62 **262.59**
- All glue type - tubes not included

D50P45BJ-LT less trim **106.93**

POLY - CABLE DRIVEN BATH WASTE & OVERFLOWS

POLISHED BRASS (01 OR 03), POLISHED NICKEL (05), SATIN NICKEL (07), ANTIQUE COPPER (11), OIL RUBBED BRONZE (12), STAINLESS STEEL (20), POLISHED CHROME(26), WHITE (50), FLAT BLACK (62)

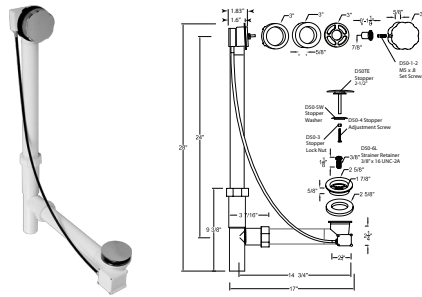


Tubular Cable Drive BW&O

D50P27TLE-

- 1-1/2" slip joint tubular cable driven bath waste 26 **194.91**
- 27" cable - slip joint adjustability 01, 05, 07, **249.05**
- Trim includes brass handle, back plate, large stopper, and strainer plate 12, 20, 50, 62

D50P27TLE-LT (Less Trim) **105.58**



Tubular Cable Drive BW&O

D50P35TLE-

- 1-1/2" slip joint tubular cable driven bath waste 26 **201.68**
- 35" cable - slip joint adjustability 01, 05, 07, **254.47**
- Trim includes brass handle, back plate, large stopper, and strainer plate 12, 20, 50, 62

D50P35TLE-LT (Less Trim) **105.58**



European Trim for Cable Drive BW&O

D50TE-

- Trim kit for standard style cable driven bath waste 26 **109.64**
- Cable, tubes, and rough not included 01, 05, 07, **166.49**
- Includes brass handle, pop-up, and strainer plate 12, 20, 50,
- Metal handle and stopper 62
- Fits all 1-1/2 in. Westbrass cable drives



Lever Assisted Trim for Cable Drive BW&O

D50TP-

- Lever assisted trim for cable driven bath waste 26 **128.59**
- Cable, tubes, and rough not included 01, 05, 07, **184.08**
- Includes brass handle
- Large European stopper and strainer plate 12, 20, 50, 62
- Metal handle and stopper
- Fits all 1-1/2 in. Westbrass cable drives



Lever Assisted 2 in. Cable Drive BW&O

D52P45BJ-

- 2" slip joint Sch 40 cable driven bath waste 26 **243.64**
- 45" cable assembly for deep tubs 01, 05, 07, **338.39**
- Includes brass handle, back plate, large stopper, and strainer plate with handle 12, 20, 50, 62
- Large stopper for improved drainage

ITEM	CHROME	FINISHES	PAGE
79220	154.30	181.38	76
79717	170.55	208.45	80
79720	161.07	181.38	80
109606	9.47		82
549800	62.26	54.14	35
109606W	9.47		83
112FDF	18.95		35
112MDF	18.95		35
118GC	53.13		37
1212AGV	25.72		37
1212GC	20.30		37
1212GV	13.54		37
1218GC	24.36		37
1224GC	27.07		37
1230GC	29.78		37
1236GC	32.49		37
1248GC	39.25		37
124GC	64.97		37
1260GC	44.67		37
1272GC	52.79		37
130GC	73.09		37
136GC	79.86		37
148GC	94.75		37
211-44046	21.66		36
211-44146	21.66		36
3812AGV	20.30		37
3812GC	18.95		37
3812GV	13.54		37
3818GC	21.66		37
3824GC	23.01		37
3830GC	27.07		37
3836GC	31.13		37
3848GC	33.84		37
3860GC	37.90		37
3872GC	40.61		37
442A	10.83		90
442P	10.83		90
493144H-	101.52	128.59	71
493144HRH-	185.44	212.51	69
493144HRHBJ-	296.43	323.50	69
493244H-	101.52	128.59	71
493244HLD-	115.05	142.12	61
493244SLD-	113.31	134.00	61
494144H-	101.52	128.59	71
494244H-	101.52	128.59	71
502800G	50.08	39.25	34

ITEM	CHROME	FINISHES	PAGE
5818GC	DISC		
5824GC	33.84		37
5830GC	35.19		37
5834AGV	31.13		37
5834GV	25.72		37
5836GC	40.61		37
5848GC	48.73		37
5860GC	55.50		37
5872GC	63.62		37
592144-	55.50	87.98	82
592244-	55.50	87.98	83
593144-	55.50	87.98	82
593244-	55.50	87.98	83
594144-	55.50	87.98	82
594244-	55.50	87.98	83
597144-	55.50	87.98	82
597244-	55.50	87.98	83
7921817-	190.85	217.92	77
79220-	154.30	181.38	76
792BB	16.24		94
792BB-2	28.42		94
792BB-4	79.86		94
792BR	8.12		94
79317-	163.78	201.68	78
79317H-	208.45	235.52	70
79317SWH-	205.44	245.33	72A
79317SW-LT	179.00		72B
7931817-	182.73	209.80	79
7931817-AF-	185.44	200.33	73
7931817BJCHM-	337.03	364.10	65
7931817BJLD-	352.94	378.24	59
7931817CHM-	250.41	277.48	66
7931817-DC-	185.44	200.33	73
7931817H-	227.40	254.47	70
7931817LD-	242.29	268.99	58
7931817-SO-	DISC		
7931820-	161.07	201.68	79
79320-	147.54	188.14	78
7932420BJHRDC-	458.85	485.92	69
7932420HRDC-	353.28	384.41	69
79338MO	13.54		89
79338MO-CP	18.95		89
79338MO-PB	24.61		89
79338MO-SN	24.61		89
793516MO	13.54		89
79417-	163.78	201.68	74

ITEM	CHROME FINISHES	PAGE
79417H-	208.45 235.52	70
79417SWH-	205.44 245.33	72B
7941817H-	227.40 254.47	70
7941817LT-AF	178.67	73
7941817LT-DC	178.67	73
7941817LT-SO	DISC	
79420-	147.54 188.14	74
7971817-	189.50 216.57	81
7971820-	162.43 181.38	81
7982420HBJ-	250.41 277.48	68
815-D	872.50	41
815-DN	942.50	41
818-F	9.47	94
ASB-	120.47 147.54	17
ASB-2B3-	134.00 174.61	17
ASB-2RB3-	169.19 194.91	17
ASB-B3-	59.56 85.27	17
ASB-RB3-	78.51 108.28	17
BALL JOINT		67
CN12WHC	DISC	
CN15WHC	DISC	
CN18WHC	DISC	
CN24WHC	DISC	
D0133-40	12.19	25
D103-	47.37 66.32	23
D103BL-	59.56 75.80	23
D103BX-	59.56 75.80	23
D103K12-	90.69 127.23	27
D103K12X-	128.59 177.32	28
D103K15-	92.04 128.59	27
D103K15X-	129.94 178.67	28
D103K20-	93.39 129.94	27
D103K20X-	131.29 189.50	28
D103KBN-	182.73 262.59	27
D103KBNX-	269.36 368.17	28
D103KFH-	92.04 132.65	27
D103KFHX-	134.00 182.73	28
D103X-	90.69 109.64	24
D105-	47.37 66.32	23
D105BL-	59.56 75.80	23
D105BL-	59.56 75.80	23
D105BX-	59.56 75.80	23
D105K12-	56.85 78.51	29
D105K12X-	105.58 148.89	30
D105K15-	58.20 79.86	29

ITEM	CHROME FINISHES	PAGE
D105K15X-	106.93 150.24	30
D105K20-	59.56 81.21	29
D105K20X-	108.28 151.60	30
D105KBN-	113.70 128.59	29
D105KBNX-	220.63 282.89	30
D105KFH-	56.85 78.51	29
D105KFHX-	112.34 140.77	30
D105QR-	84.53 105.93	24
D105QRT-	105.93 127.33	24
D105QS-	116.63 144.45	24
D105QST-	145.52 170.13	24
D105X-	90.69 109.64	24
D1112-	67.68 94.75	22
D1112X-	110.99 138.06	22
D1114-	67.68 94.75	22
D1114X-	110.99 138.06	22
D112-	17.60 24.36	22
D113-	18.95 35.72	22
D1131-	20.30 27.07	22
D114-	21.66 28.42	22
D115-	21.66 31.13	22
D116-	23.01 32.49	22
D117-	24.36 33.84	22
D118-	25.72 36.55	22
D119-	16.24 23.01	22
D120-	18.95 25.72	22
D121-	21.66 32.49	22
D12104-	23.01 29.78	22
D12106-	31.13 40.61	22
D12108-	54.14 70.38	22
D12112-	67.68 81.21	22
D12119-	117.76 173.25	22
D12124-	171.90 198.97	22
D12136-	211.15 239.58	22
D12148-	309.96 419.60	22
D122-	24.36 36.55	22
D123-	18.95 25.72	22
D124-	21.66 28.42	22
D125-	24.36 33.84	22
D128-	5.41 16.24	15
D1281-	12.18 17.60	15
D1291-	12.18 17.60	15
D1338QSL-	512.53 610.97	33
D135-	DISC	
D135-108-	DISC	

ITEM	CHROME FINISHES		PAGE
D135-108X-	DISC		
D135-110	DISC		
D135-110X-	DISC		
D136-	DISC		
D136-108-	DISC		
D136-108X-	DISC		
D136-110-	DISC		
D136-110X-	DISC		
D1438QRL-	448.33	529.65	33
D1538L-	259.88	368.17	31
D1612TBL-	101.52	123.17	25
D1612TBX-	101.52	123.17	26
D1613TBL-	101.52	123.17	25
D1613TBX-	101.52	123.17	26
D1614TBL-	101.52	123.17	25
D1614TBX-	101.52	123.17	26
D1615TBL-	101.52	123.17	25
D1615TBX-	101.52	123.17	26
D1638L-	335.68	425.01	31
D1712T-	140.77	194.91	25
D1738L-	335.68	425.01	31
D1812T-	140.77	194.91	26
D1838L-	335.68	425.01	31
D1838QRL-	298.53	373.43	32
D19103BLK-	266.43	298.53	32
D19105BLK-	266.43	298.53	32
D19105BXX-	266.43	298.53	32
D1938L-	349.22	445.32	31
D1938QRL-	389.48	465.45	32
D200-	24.36	36.55	16
D200-1-	32.49	40.61	16
D200F-1-	DISC		
D200P-CP, WH, AL	13.54	13.54	16
D201-	18.95	24.36	16
D201-1-	28.42	33.84	16
D201CD	DISC		
D201ST-	DISC		
D201ST-NAG-	DISC		
D202-	13.54	24.36	16
D2031-NL-	97.46	147.54	10
D2033-NL-	201.68	269.36	10
D2035-NL-	DISC		
D2036-NL-	201.68	269.36	10
D2037-NL-	DISC		
D203-ADAPT	25.00		10
D203-NL-	93.39	134.00	10

ITEM	CHROME FINISHES		PAGE
D2041HFP-	967.79	1,080.13	6
D204HFP-	967.79	1,080.13	6
D2051HFP-	1,038.17	1,130.21	6
D205HFP-	1,038.17	1,130.21	6
D206B-	98.81	134.00	55
D206B-LAS-	98.81	134.00	55
D206BS-	106.93	142.12	55
D206P-	33.84	64.97	55
D206PS-	43.31	78.51	55
D206-SQG-	35.19	70.38	55
D2071HFP-	DISC		
D207HFP-	DISC		
D2082-	73.09	87.98	12
D2082S-	106.93	163.78	12
D2089-	60.91	78.51	12
D2089SEV-	92.04	140.77	12
D209-	24.36	32.49	12
D2091-	40.61	40.61	11
D2105-	106.93	163.78	12
D212-	134.00	162.43	11
D213-	105.58	120.47	14
D2135-	192.20	228.75	13
D214-	94.75	110.99	14
D2143P-	54.14	54.14	14
D2145-	174.61	200.33	13
D2155-	151.60	181.38	13
D2165-	161.07	170.55	13
D217-	62.26	82.57	20
D2170P-	DISC		
D2170P-NAG-	DISC		
D2171-	146.18	171.90	20
D2172-	DISC		
D2175-	148.89	178.67	20
D2176-	157.01	177.32	20
D2178-	146.18	171.90	20
D218-	54.14	70.38	14
D2181-	51.43	67.68	14
D220-	43.31	59.56	14
D261HFP-	932.60	986.74	5
D262HFP-	1,031.41	1,065.24	5
D271HFP-	929.89	986.74	5
D272HFP-	1,031.41	1,065.24	5
D282HFP-26	1,081.49		7
D300-1-	27.07	37.90	43
D301-1-	32.49	43.31	43
D302-1-	37.90	50.08	43

ITEM	CHROME	FINISHES	PAGE
D3031-	90.69	115.05	43
D303-81-	90.69	115.05	43
D306-	60.91	79.86	45
D308-	142.12	263.94	45
D309-	56.89	66.32	52
D310-	83.92	112.34	53
D3101-	188.14	255.82	53
D311-	98.81	127.23	53
D3111-	215.21	269.36	53
D3112-	174.61	242.29	53
D312-	40.61	55.50	57
D313-	46.02	60.91	57
D316-	37.90	52.79	56
D317-	37.90	52.79	57
D3171-	58.20	71.74	57
D318-	33.84	46.02	56
D319-	28.42	41.96	56
D3191-	27.07	40.61	56
D3192-	28.42	40.61	56
D3193-	28.42	40.61	56
D3198-	20.30	27.07	56
D320-	106.93	134.00	57
D3201-	112.34	155.66	57
D321-	163.78	201.68	74
D3211HK-	296.76	323.51	73
D3211K-	255.82	282.89	74
D321-20G-	147.54	188.14	74
D321H-	208.45	235.52	70
D322-	182.73	209.80	75
D3221HK-	292.22	312.67	73
D3221K-	269.36	299.13	75
D322-20G-	155.66	201.68	75
D322H-	227.40	254.47	70
D323-	169.19	196.26	76
D3231K-	269.36	309.96	76
D323-20G-	154.30	181.38	76
D324-	190.85	217.92	77
D3241K-	282.89	323.50	77
D324-20G-	154.30	181.38	77
D3242K-	DISC		
D325-	163.78	201.68	78
D3251HK-	296.43	323.50	72
D3251K-	255.82	282.89	78
D325-20G-	147.54	188.14	78
D325H-	208.45	235.52	70

ITEM	CHROME	FINISHES	PAGE
D326-	182.73	209.80	79
D326124HKBJ-	364.10	391.18	68
D326124HRBJDC-	389.26	402.52	73
D3261BJLD-	472.39	499.46	60
D3261HK-	316.73	350.57	72
D3261HKBJ-	404.71	431.78	72
D3261K-	269.36	299.13	79
D3261KBJCHM-	391.18	445.32	65
D3261KCHM-	358.69	426.37	65
D3262-	170.55	208.45	80
D326-20G-	161.07	201.68	79
D3262-20G-	161.07	181.38	80
D3263HK-	296.43	323.50	72
D3263K-	296.43	299.13	80
D3264-	189.50	216.57	81
D3264-20G-	162.43	181.38	81
D3265HK-	316.73	350.57	72
D3265K-	309.96	326.21	81
D326H-	227.40	254.47	70
D326HBJ-	250.41	277.48	68
D327-	16.24	32.49	90
D3273S-	DISC		
D328-	8.12	25.72	90
D329-	16.24	32.49	90
D330-	29.78	46.02	90
D331-	46.02	73.09	88
D3311-C-	46.02	73.09	88
D3311-F-	46.02	73.09	88
D331-F-	46.02	73.09	88
D3322-	46.02	73.09	89
D3323-	46.02	73.09	89
D348-	78.81	106.93	52
D354-	59.56	89.33	52
D355-	74.45	74.45	52
D355E-	31.03	57.78	52
D355P-WH, PB, SN	10.70	32.49	52
D3604A-	46.02	60.91	45
D3606A-	54.14	74.45	45
D3608A-	67.68	93.39	45
D3609S-	100.16	128.59	45
D3612A-	81.21	110.99	45
D3619A-	134.00	198.97	45
D3624A-	196.26	212.51	45
D3636A-	226.04	250.41	45
D3648A-	319.44	412.83	45

ITEM	CHROME FINISHES	PAGE
D3700-1-	83.92	110.99
D3703-1-	127.23	184.08
D3711-	121.82	169.19
D3712-	178.67	220.63
D398R-	60.91	87.98
D398RB-1-	58.85	63.84
D398R-F-	60.91	87.98
D398RK-	101.52	121.82
D400-1-	112.34	140.77
D400G-2	50.08	39.25
D401-1-	112.34	140.77
D4011-1-	DISC	
D401-PF-	29.00	39.00
D402LA-	56.85	43.31
D402NE-1-	121.82	154.30
D403LA-	56.85	43.31
D4053-1-	255.73	287.83
D4054R-1	255.73	287.83
D4054S-1	298.53	319.93
D410-	90.69	124.53
D410-12-	125.88	154.30
D410-2-	125.88	154.30
D410A-	128.59	134.00
D410A-1-	128.59	134.00
D410E-	157.01	234.16
D410SP-	33.84	47.37
D410Z-	DISC	
D411-12-	98.81	140.77
D411-2-	98.81	140.77
D411A-	110.99	163.78
D411A-1-	110.99	163.78
D412-12-	163.78	177.32
D412-2-	108.28	124.53
D4142-	12.19	28.43
D416-	32.49	23.01
D417-	37.90	24.36
D4171-	43.31	39.25
D419-	50.08	75.80
D41912-	50.08	75.80
D420-	52.78	79.85
D421-	55.50	83.92
D422-	52.79	79.85
D422T-26	28.42	
D423-	55.50	83.92
D42316-	46.02	37.90

ITEM	CHROME FINISHES	PAGE
D430-	62.26	54.14
D432-	28.42	24.36
D4931-	55.50	87.98
D49311-	55.50	87.98
D4932-	55.50	87.98
D49321-	55.50	87.98
D493244CHM-	120.47	161.07
D493244LD-	115.05	142.12
D493CHM-	40.61	67.68
D4941-	55.50	87.98
D49411-	55.50	87.98
D4942-	55.50	87.98
D49421-	55.50	87.98
D4971-	55.50	87.98
D49711-	55.50	87.98
D4972-	55.50	87.98
D49721-	55.50	87.98
D502-	66.32	134.00
D503-	66.32	134.00
D504-	66.32	134.00
D505-	66.32	134.00
D50A27-	186.79	238.22
D50A27BJ-	193.56	246.35
D50A27BJ-LT	92.04	
D50A27-LT	81.21	
D50A35-	194.91	246.35
D50A35BJ-	201.68	254.47
D50A35BJ-LT	100.16	
D50A35-LT	92.04	
D50A45-	201.68	254.47
D50A45BJ-	211.15	262.59
D50A45BJ-LT	106.93	
D50A45-LT	100.16	
D50P27-	186.79	238.22
D50P27BJ-	193.56	246.35
D50P27BJ-LT	92.04	
D50P27-LT	85.27	
D50P27TLE-	194.91	249.05
D50P27TLE-LT	105.58	
D50P35-	194.91	246.35
D50P35BJ-	201.68	254.47
D50P35BJ-LT	100.16	
D50P35-LT	92.04	
D50P35TLE-	201.68	254.47
D50P35TLE-LT	105.58	

ITEM	CHROME	FINISHES	PAGE	ITEM	CHROME	FINISHES	PAGE
D50P45-	201.68	254.47	97	DF02043-	1,199.00	1,369.00	47
D50P45BJ-	211.15	262.59	97	DT18	535.00		7
D50P45BJ-LT	106.93		97	DT1F204-	1,092.00	1,205.00	6
D50P45-LT	100.16		97	DT1F2041-	1,092.00	1,205.00	6
D50T-	106.93	163.78	98	DT1F205-	1,163.00	1,330.00	6
D50TE-	109.64	166.49	98	DT1F2051-	1,163.00	1,255.00	6
D50TP-	128.59	184.08	98	DT1F261-	1,057.00	1,112.00	5
D52P45BJ-	243.64	338.39	98	DT1F262-	1,156.00	1,190.00	5
D532-	52.79	79.86	93	DT1F271-	1,054.00	1,111.00	5
D534-	52.79	79.86	93	DT1F272-	1,156.00	1,190.00	5
D542-	52.79	79.86	93	DWPCSDL-12	DISC		
D544-	52.79	79.86	93	DWPCSDL-14	DISC		
D560RK-	101.52	128.59	62	E507-1F-	50.08	67.78	54
D572-	52.79	79.86	93	E5074-1F-	50.08	67.78	54
D574-	52.79	79.86	93	E5074D-1F-	67.68	94.75	54
D593ARK-	90.69	115.05	92	E507D-1F-	67.68	94.75	54
D593CHPM-	90.69	115.05	91	E531-1F-	18.95	33.83	54
D593PRK-	90.69	115.05	92	E531D-1F-	20.31	40.61	54
D594AHRK-	90.69	115.05	92	EODBS	20.30		15
D594PHRK-	90.69	115.05	92	F400	136.00		9
D598AHRK-	90.69	115.05	92	F400R	119.00		9
D6033-40	16.24		26	FPV-40	20.00		9
D92-	37.90	64.97	88	FPV-40-38	20.00		9
D92K-	62.26	86.63	88	FRO-100	DISC		
D93-	56.85	81.21	87	FRO-1R	DISC		
D931K-	58.20	85.27	86	FSO5831W	4,699.00		48
D93-2-	60.91	87.98	87	FSO6433W	4,799.00		48
D93K-	62.26	89.33	86	FSO6935W	4,999.00		48
D94-	55.50	82.57	87	FSOTK58-	4,699.00		48
D941K-	58.20	85.27	86	FSOTK64-	4,799.00		48
D94-2-	58.20	85.27	87	FSOTK69-	4,999.00		48
D94H-	81.21	108.28	87	FSS5831W	4,699.00		49
D94HK-	87.98	115.05	86	FSS6433W	4,799.00		49
D94K-	62.26	89.33	86	FSS6935W	4,999.00		49
D980LTBAA-	179.59	227.62	95	FSSTK58-	4,699.00		49
D980LTBPA-	179.59	227.62	95	FSSTK64-	4,799.00		49
D980R-	60.91	79.86	90	FSSTK69-	4,999.00		49
D98HRK-	105.58	119.11	86	G2CR19XC	25.72		36
D98LTB-	154.59	181.41	95	HARD	DISC		
D98LTBAA-	159.59	197.62	95	HPG3636-WH	479.00		50
D98LTBPA-	159.59	197.62	95	HPG3636WHB-	519.00	549.00	50
D98LTBT-	159.59	186.41	95	HPG3636WHP-	489.00	509.00	50
D98R-	DISC	SEE D98LTBAA		HPG4836-WH	569.00		50
D98RK-	DISC	SEE D98LTBAA		HPG4836WHB-	609.00	639.00	50
DCBS	24.36		15	HPG4836WHP-	579.00	599.00	50
DEEP SOAK OPERATION			64	HPG6034L-WH	649.00		51

ITEM	CHROME	FINISHES	PAGE
HPG6034LWHB-	689.00	719.00	51
HPG6034LWHP-	659.00	679.00	51
HPG6034R-WH	649.00		51
HPG6034RWHB-	689.00	719.00	51
HPG6034RWHP-	659.00	679.00	51
HPG6036-WH	629.00		50
HPG6036WHB-	669.00	699.00	50
HPG6036WHP-	639.00	659.00	50
HPG7236-WH	729.00		50
HPG7236WHB-	769.00	799.00	50
HPG7236WHP-	739.00	759.00	50
I3341	23.01		36
IEODS	20.30		15
IWC-1	DISC		
KA03A-	479.00	529.00	3
KD08B-	219.00	249.00	4
KH31BK-	999.00	1,075.00	1
KH31BKC-	1,235.00	1,385.00	1
KH41AK-	1,350.00	1,400.00	1
KH41AKC-	1,585.00	1,710.00	1
KS18A-	269.00	299.00	4
KTCR19XC	35.19		36
NM1BRP-26	DISC		
NM2BP-26	DISC		
NM2K-26	DISC		
QHT-1FPV	518.41		7
QHT-3FPV	DISC		
R500-	59.56	81.21	13
S1222	DISC		
S1238	DISC		
S12WHC	DISC		
S15WHC	DISC		
S1622	DISC		
S1638	DISC		
S18WHC	DISC		
S2022	DISC		
S2038	DISC		
S2422	DISC		
S2438	DISC		
S24WHC	DISC		
S412BS	15.18		15
S48WMH	DISC		
S48WMHE	DISC		
S60WMH	DISC		
S60WMHE	DISC		

ITEM	CHROME	FINISHES	PAGE
S72WMH	DISC		
S72WMHE	DISC		
S801W	269.00		48
SOFT	DISC		
SSP42A-G	11.77		36
SSP43A-G	11.77		36
SSPF42A-G	17.12		36
SSPF43A-G	17.12		36
T0922	DISC		
T0938	DISC		
T1222	DISC		
T1222B	DISC		
T1238	DISC		
T1238B	DISC		
T1622	DISC		
T1622B	DISC		
T1638	DISC		
T1638B	DISC		
TC3A	199.00		95
TC3P	199.00		95
WAS00X-	99.00	119.00	46
WAS01-	DISC		
WAS15-	DISC		



\$20.00 US

WESTBRASS

Fine Decorative Plumbing Since 1935

2429 E. Olympic Blvd., Los Angeles, CA 90021 • Fax 213-627-2844
(213) 627-8441 • info@westbrass.com • www.westbrass.com