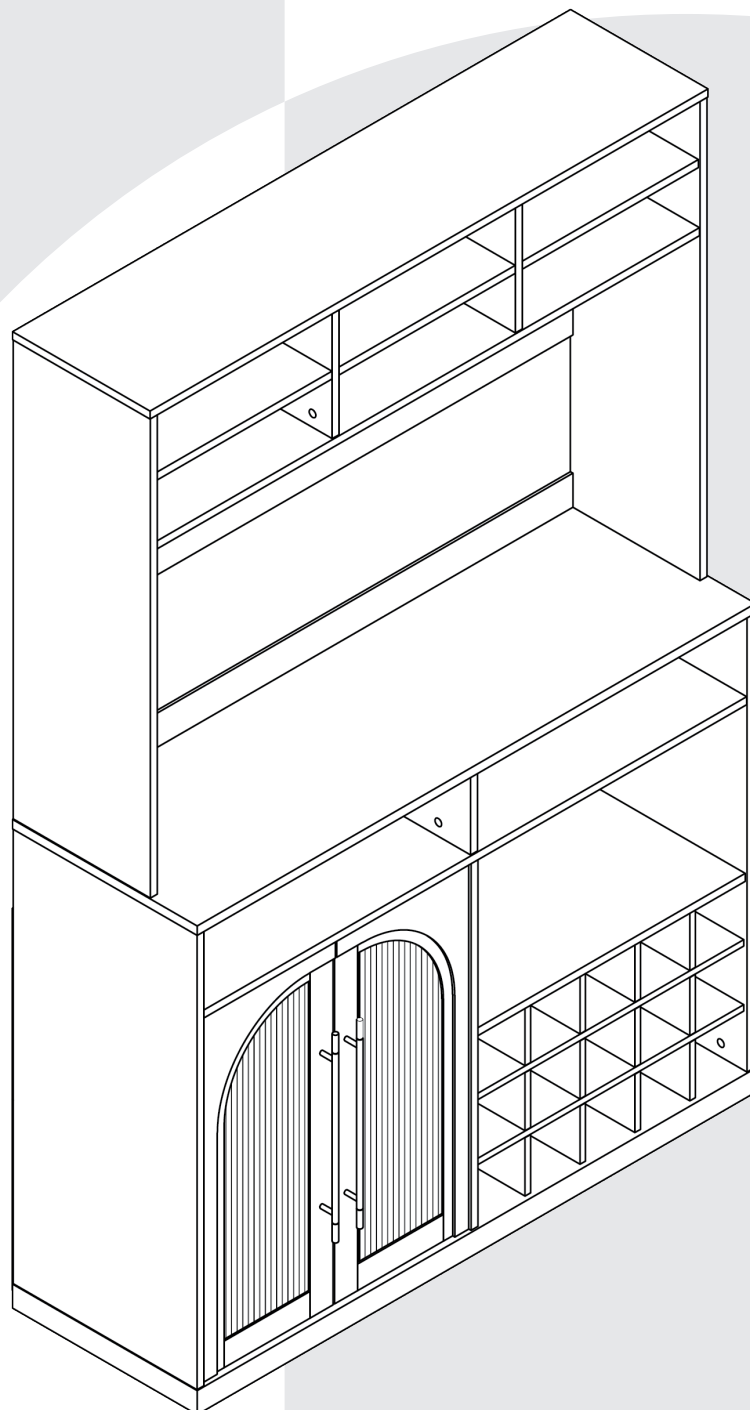


Instruction Manual

Jagger bar Cabinet

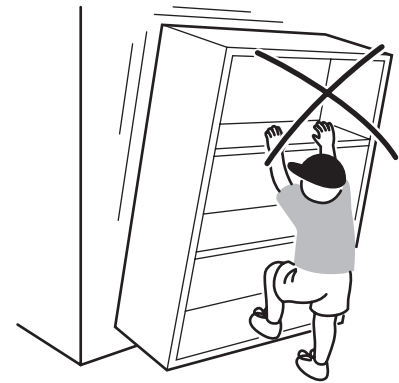
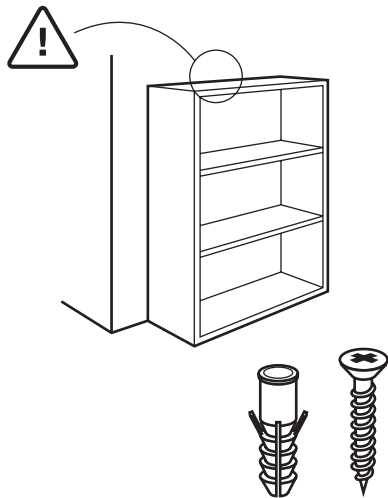


Read Before Assembly

The instruction booklet contains **IMPORTANT** safety information. Please read it in full and keep it for future reference.



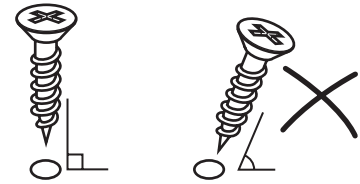
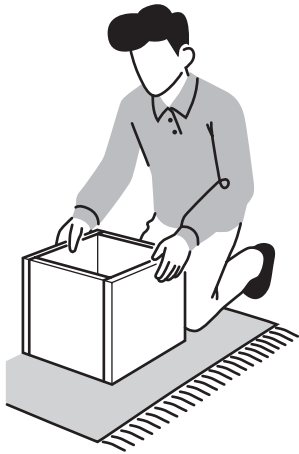
WARNING!



- Serious or fatal crushing injuries may occur if the furniture tip-over. Furniture must permanently affixed to the wall with anti-tipping device(s) in order to prevent the furniture from tipping over.
- Different wall materials requires different type of wall anchors or screws. Use a suitable wall anchors or screws for your specific wall in order to secure the stability and load bearing capacity of the furniture. If you are uncertain about which type of device to use, please contact us or local hardware store and seek professional advice.
- Only place items that is within the recommended size and weight limit of the furniture.
- Items placed onto the furniture must be resting on a support surface without hanging over the edges.
- Climbing on, stepping on, or placing overweighted objects on the product may cause property damage and / or injuries.



CAUTION!



- Assemble the furniture on an empty carton, carpet, or rug to prevent scratches or damage.
- When assembling the furniture, keep pets and children away from the assembly area.
- Ensure the product is fully assembled before use. If you are missing any hardware or parts, do not use it until you have restored the missing parts.
- This furniture requires 2 people for assembly.
- Lay out all components and hardware separately on a flat surface and make sure that no parts are missing or damaged before assembly. Do not destroy or discard any packaging until you are certain that you have all the necessary parts for assembly.
- There are small components used in the construction of the furnitures. Loose items, plastic bags, and packaging films should be kept away from pets or children to avoid choking hazard or suffocations.
- Read this instruction manual prior to assembly and familiarize yourself with the various steps.
- Install all hardware perpendicular to the opening unless otherwise specified.
- Hand tight all hardware and careful not to over-tighten to avoid damaging the product.

Assembly Symbols



- Follow sequential order.



- Build specified number of parts.



- Flip part as indicated.



- Rotate part as indicated.



- Choose your own assembly options.



- Pay attention to the part orientation.



- Leave bolts or screws partially tighten.



- Fully tighten bolts or screws.



- Level the furniture on the ground.

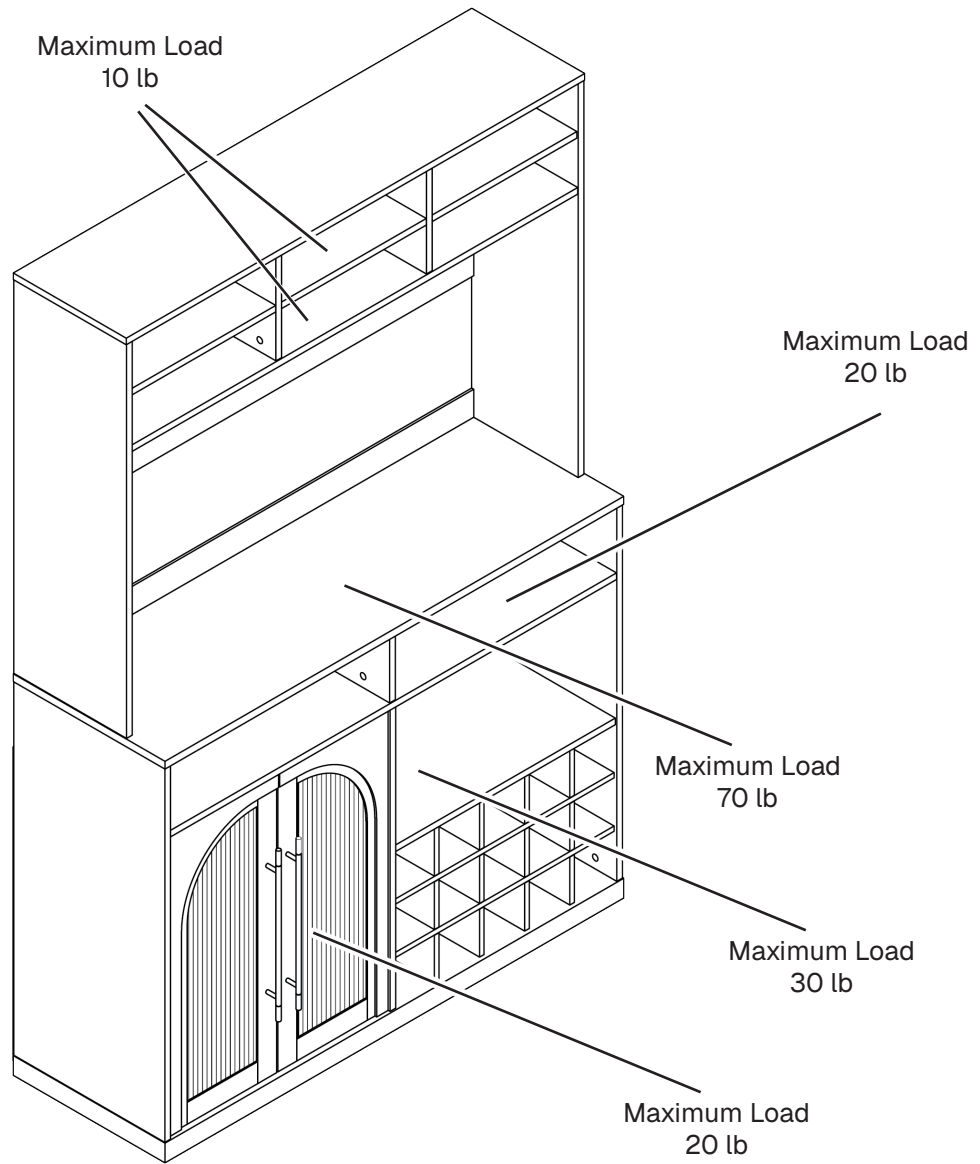


Estimated Time for Assembly

120 mins



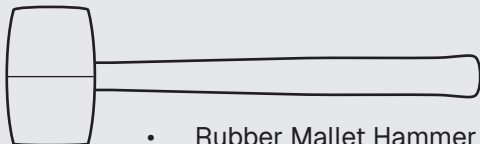
Weight Capacity Limitations are as Follows:



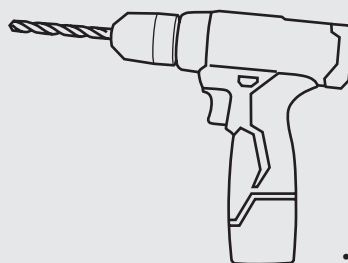
Tools Needed



• Philips Screwdriver

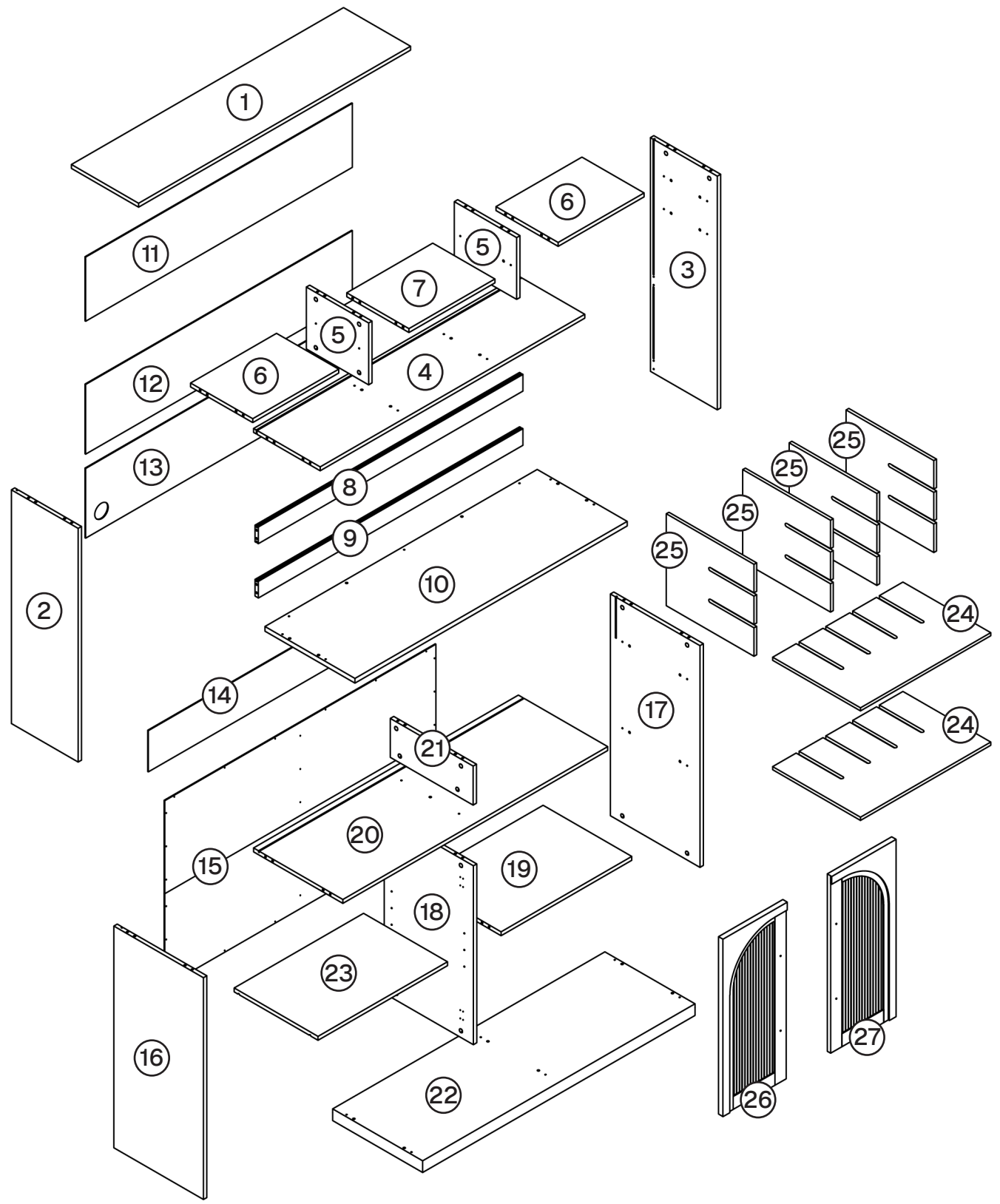


• Rubber Mallet Hammer



• Electric Drill

Package Contents



Package Contents

CODE	DESCRIPTION	QTY
1	Top Panel	1
2	Hutch Left Lateral Panel	1
3	Hutch Right Lateral Panel	1
4	Hutch Middle Panel	1
5	Hutch Divider Panel	2
6	Hutch Storage Shelf Panel	2
7	Hutch Storage Shlef Panel	1
8	Hutch Upper Crossbar	1
9	Hutch Lower Crossbar	1
10	Cabinet Countertop Panel	1
11	Hutch Upper Back Panel	1
12	Hutch Middle Back Panel	1
13	Hutch Lower Back Panel	1

Package Contents

CODE	DESCRIPTION	QTY
14	Cabinet Upper Back Panel	1
15	Cabinet Lower Back Panel	1
16	Cabinet Left Lateral Panel	1
17	Cabinet Right Lateral Panel	1
18	Cabinet Lower Divider Panel	1
19	Cabinet Fixed Storage Shelf Panel	1
20	Cabinet Middle Panel	1
21	Cabinet Upper Divider Panel	1
22	Bottom Panel	1
23	Cabinet Storage Shelf Panel	1
24	Wine Bottle Storage Horizontal Panel	2
25	Wine Bottle Storage Vertical Panel	4
26	Left Cabinet Door	1
27	Right Cabinet Door	1

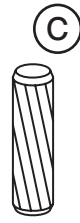
Package Contents



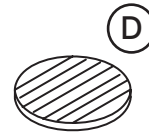
63x + 4x



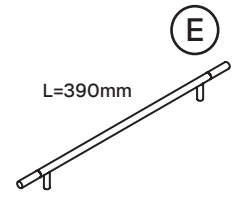
63x + 4x



57x + 4x



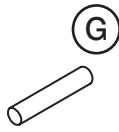
63x + 4x



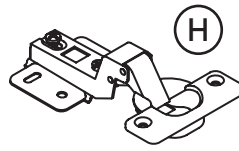
2x



4x



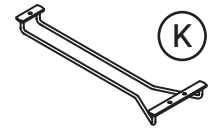
4x



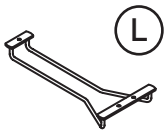
4x



24x + 2x



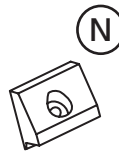
4x



4x



24x + 2x



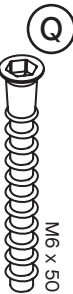
24x + 2x



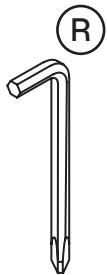
24x + 2x



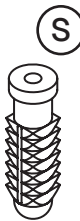
30x + 3x



4x



1x



2x



2x

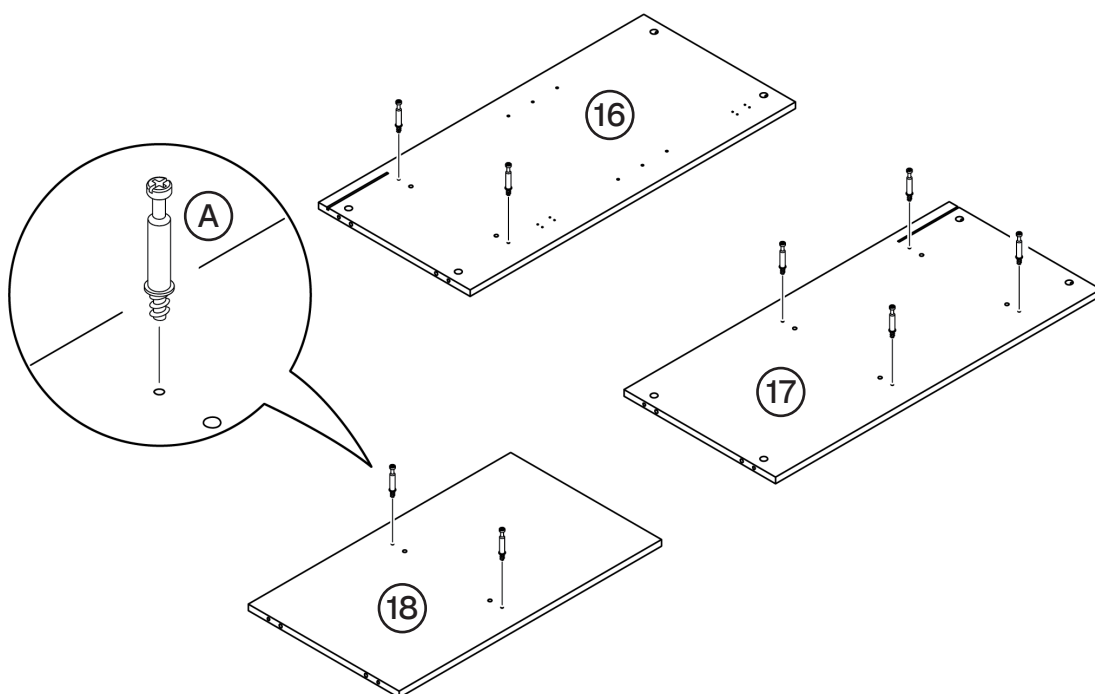
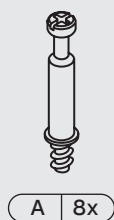


2x

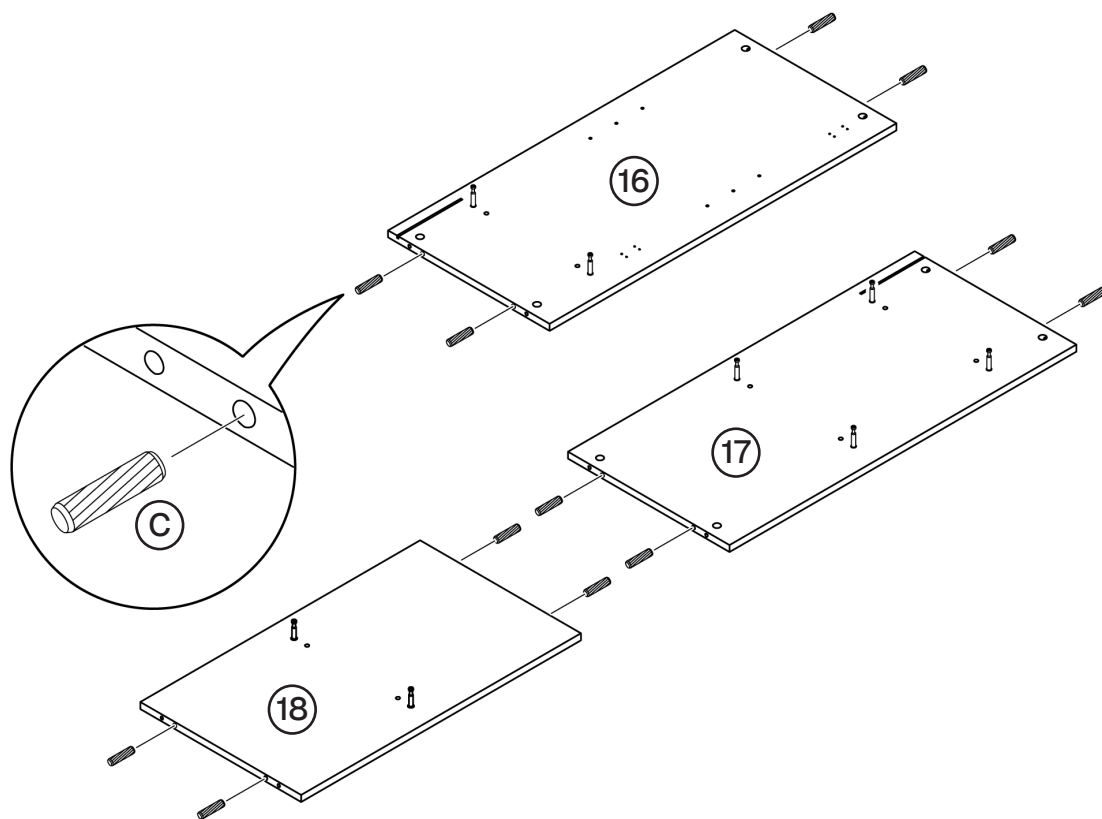
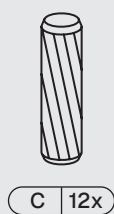


2x

01 Cabinet lateral panel and divider panel



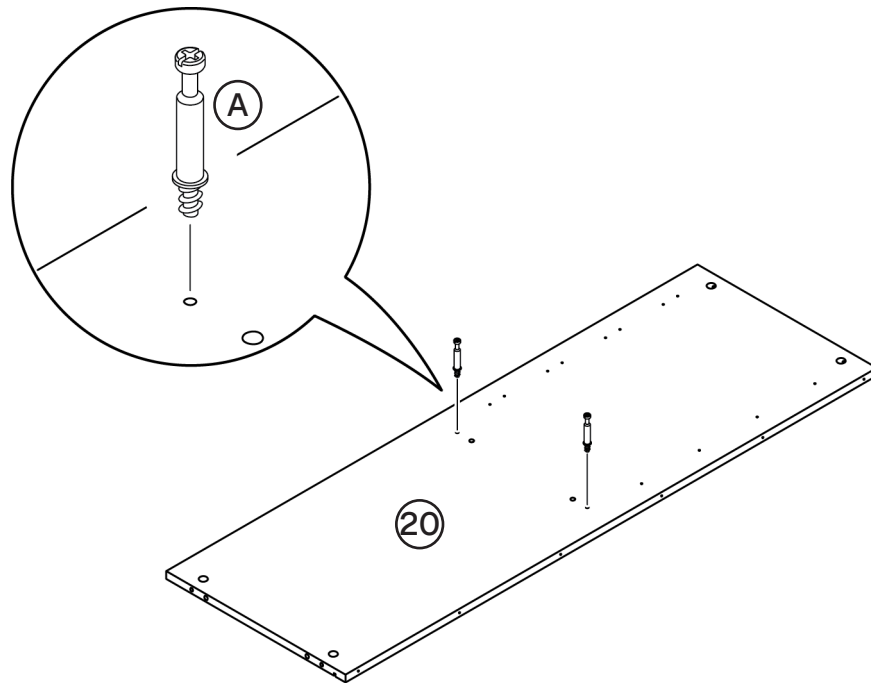
02 Cabinet lateral panel and divider panel



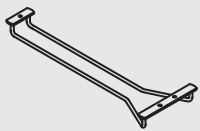
03 Cabinet middle panel



A 2x



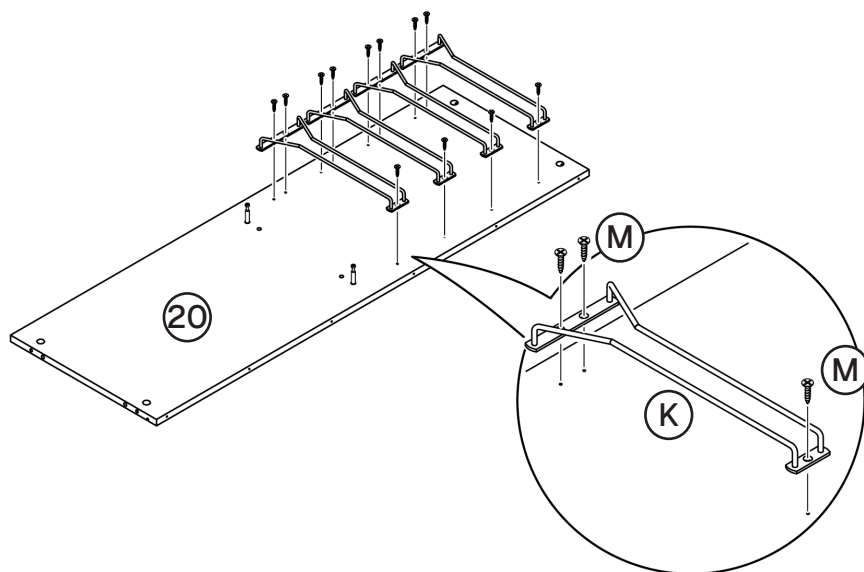
04 Attaching wine glass stemware hangers



K 4x



M 12x



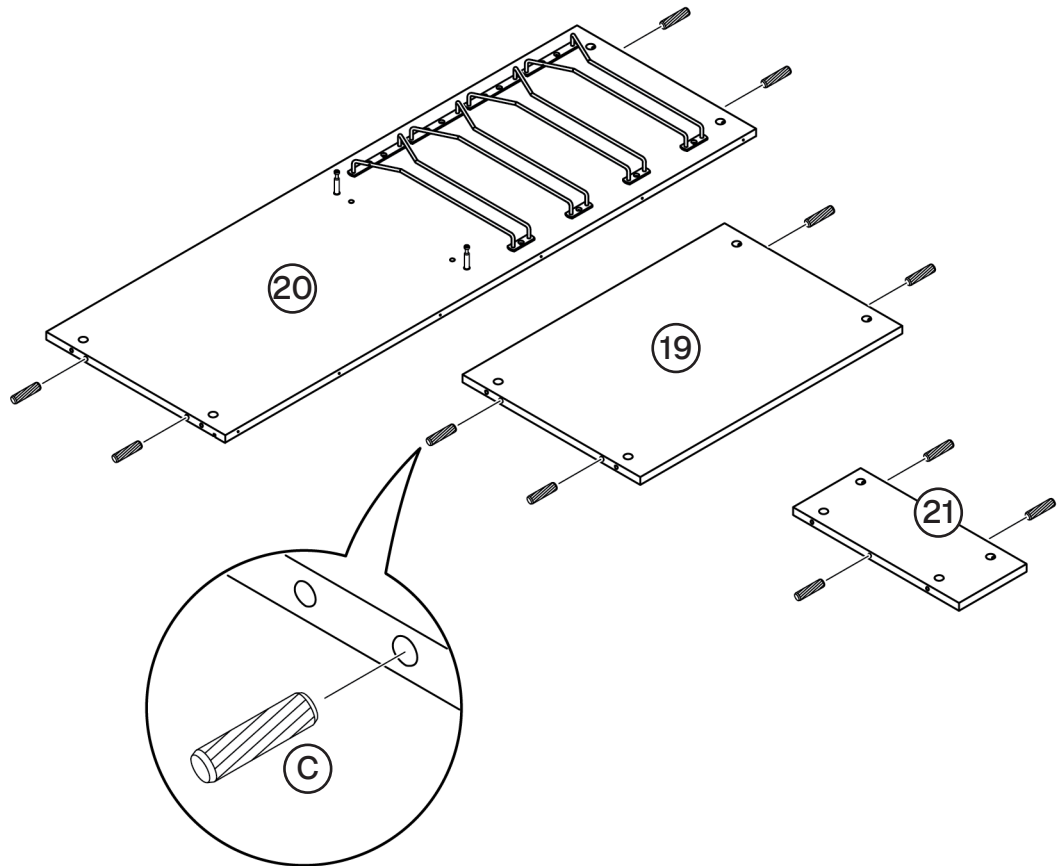
★ Note: There are two types of cup holders. Please pay attention when installing.

05

Cabinet fixed storage shelf panel, middle panel and upper divider panel



C 11x



06

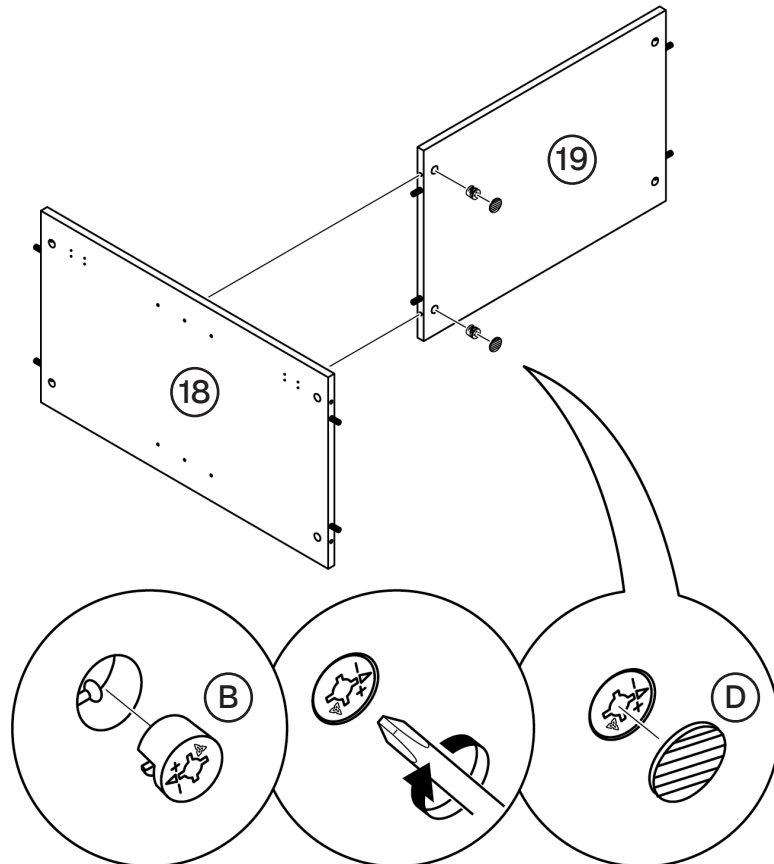
Attaching cabinet fixed storage shelf panel to divider panel




B 2x




D 2x



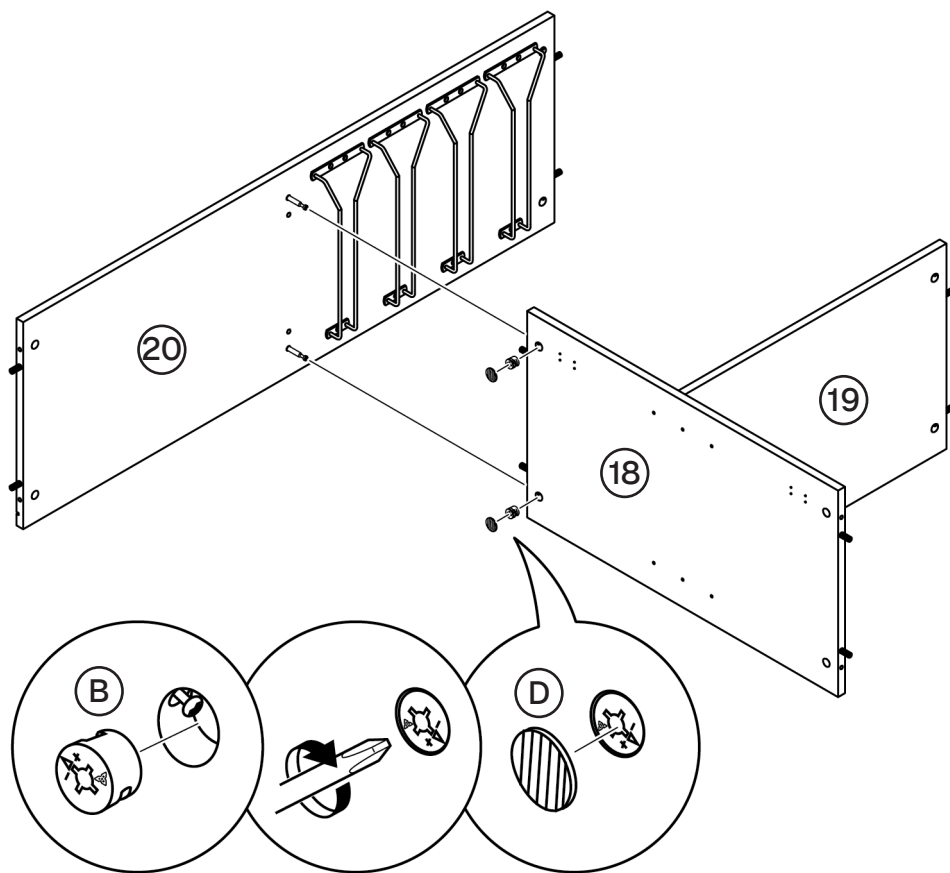
07 Attaching cabinet divider panel to middle panel




B 2x




D 2x



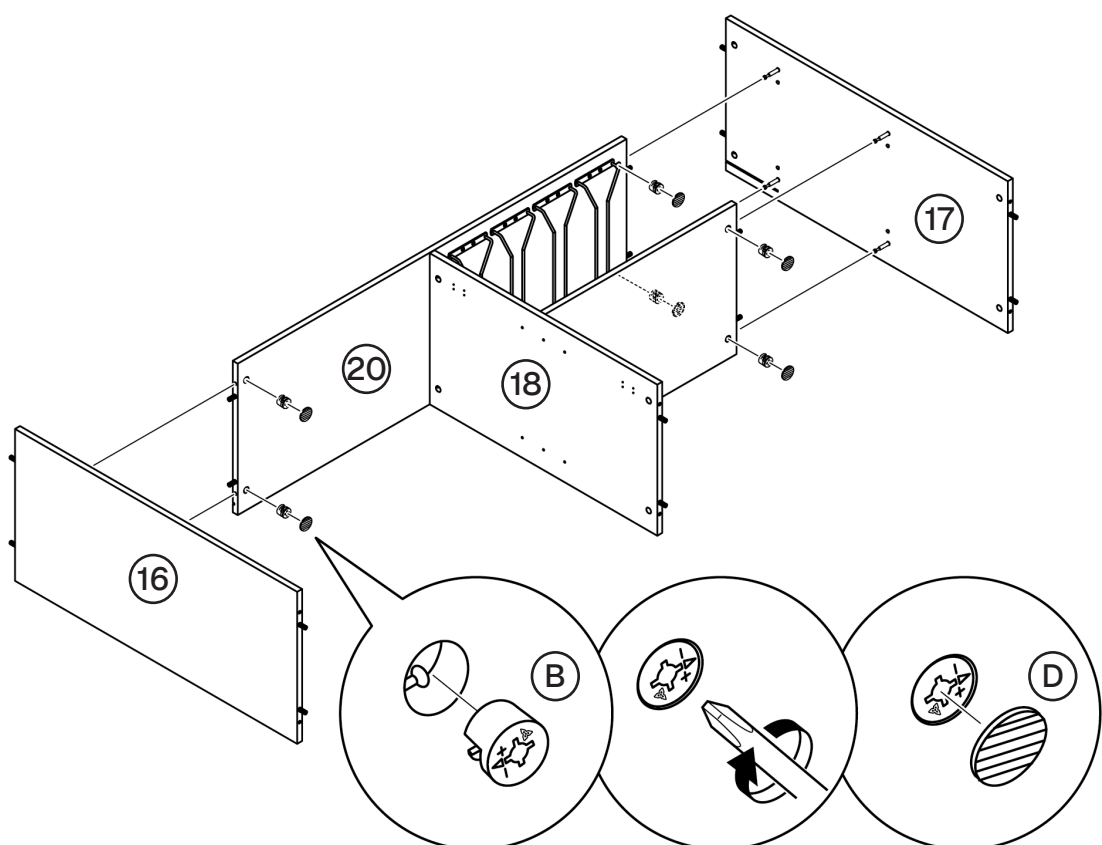
08 Attaching cabinet lateral panels



B 6x



D 6x

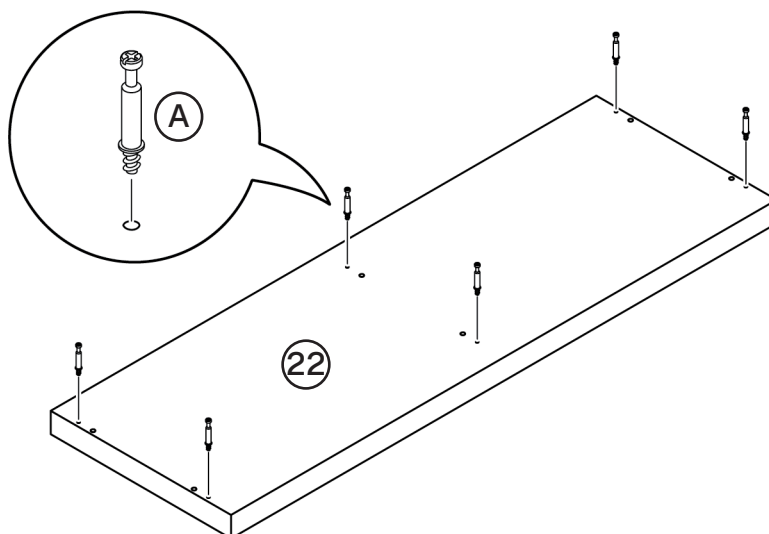


09

Bottom panel



A 6x



10

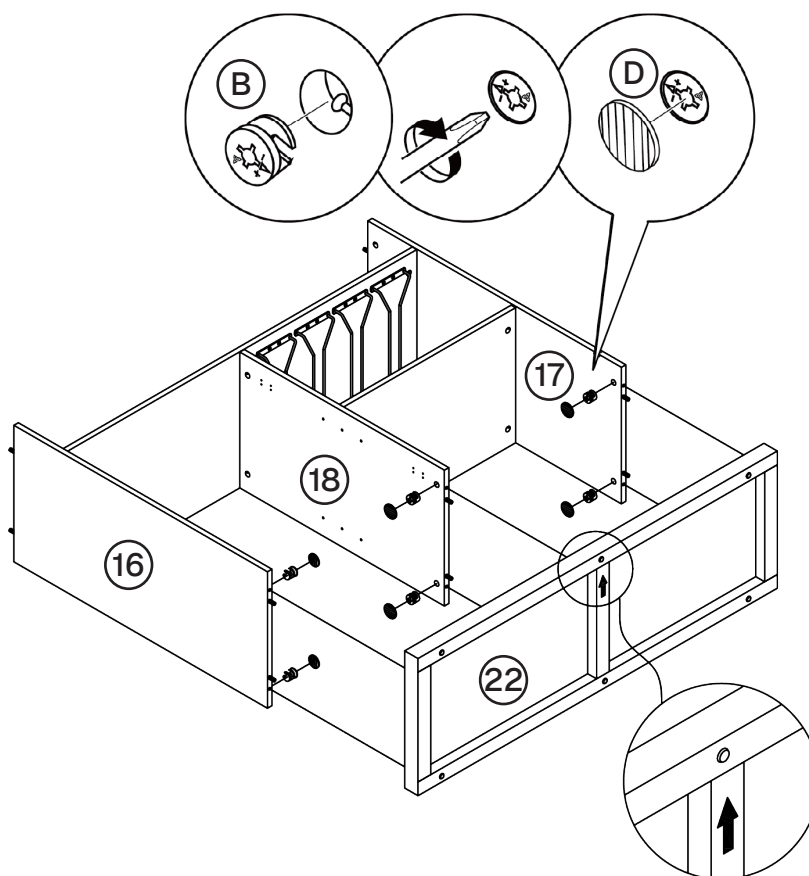
Attching bottom panel



B 6x



D 6x

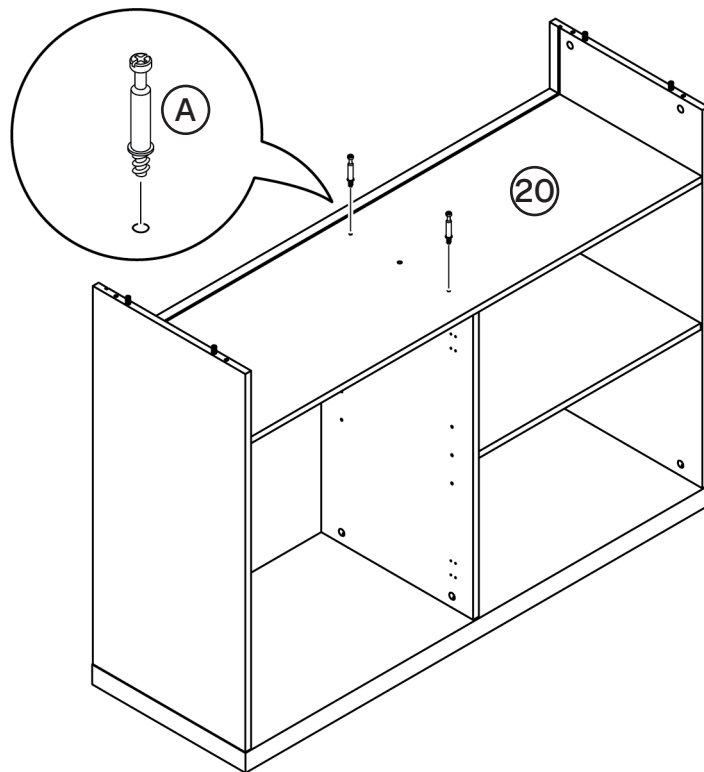


11

Cabinet fixed storage shelf panel



A 2x



12

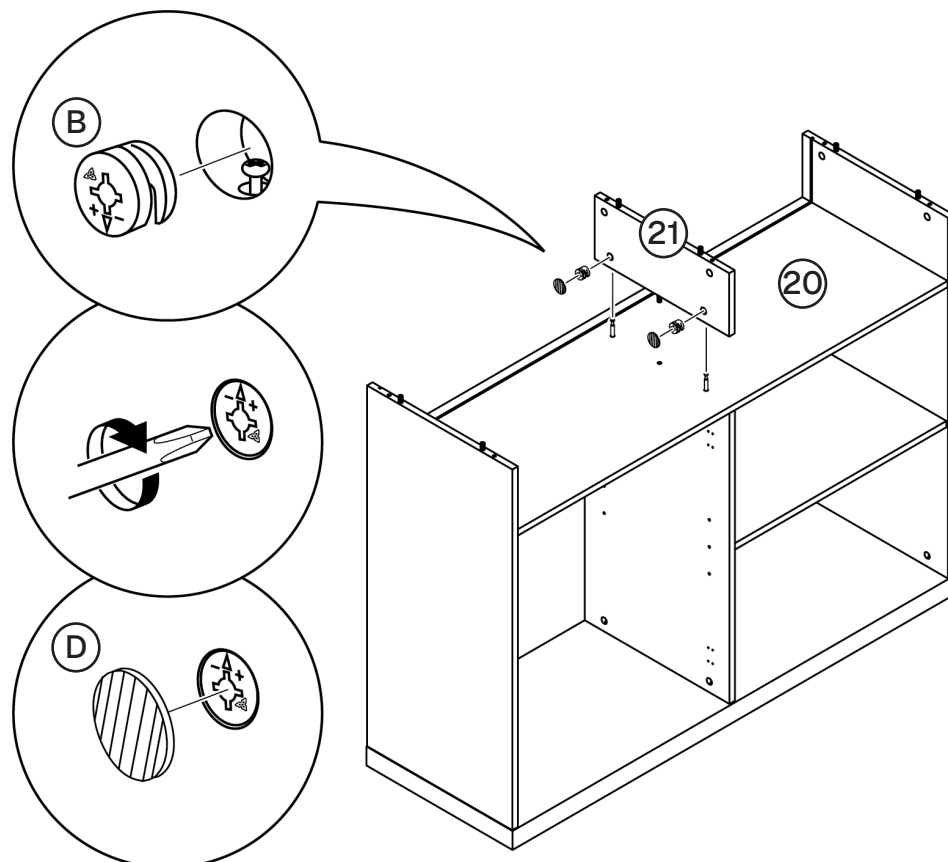
Attaching cabinet upper divider panel



B 2x



D 2x

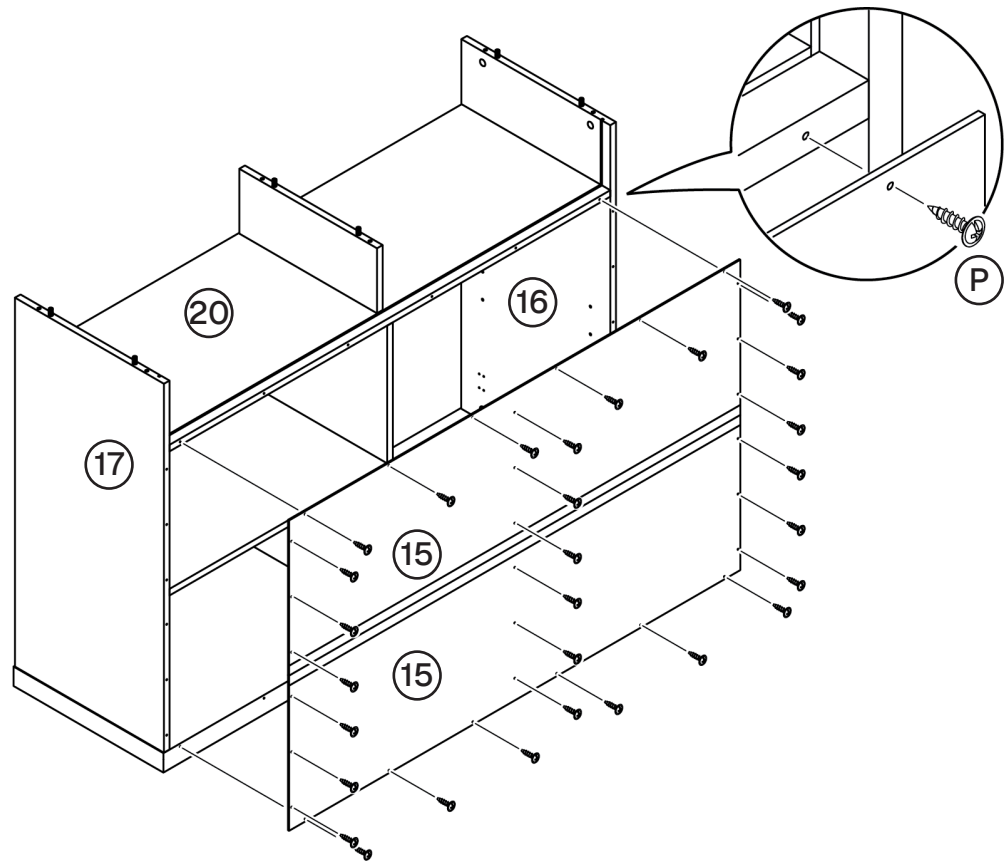


13

Attaching cabinet lower back panel



P 30x

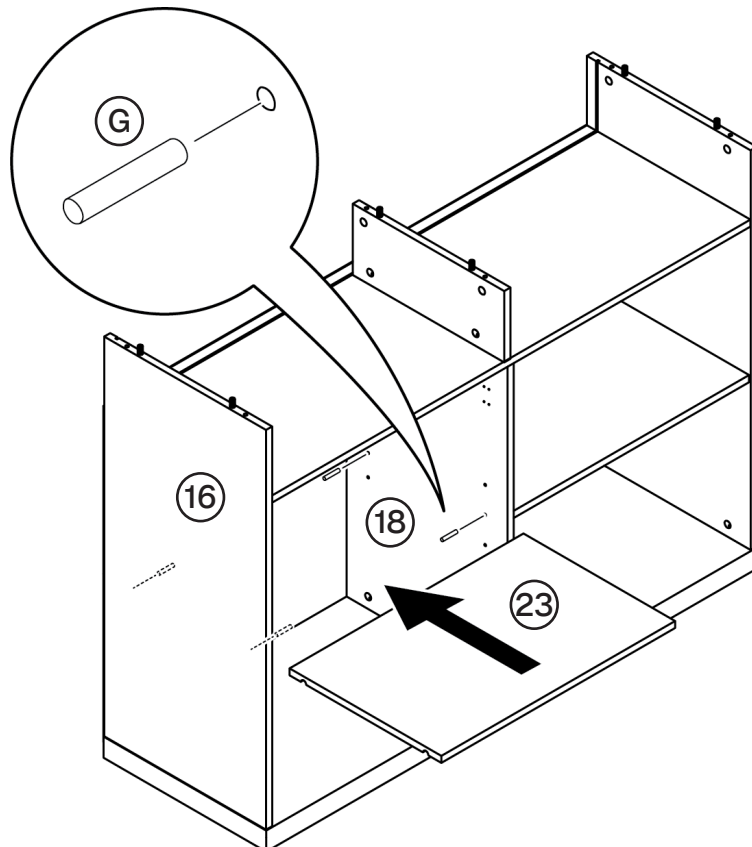


14

Inserting shelf pegs and putting in storage shelf panel

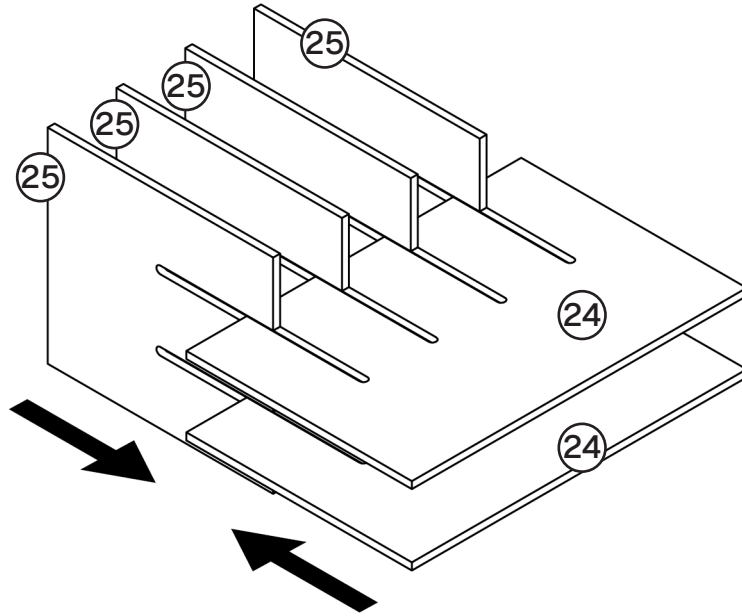


G 4x



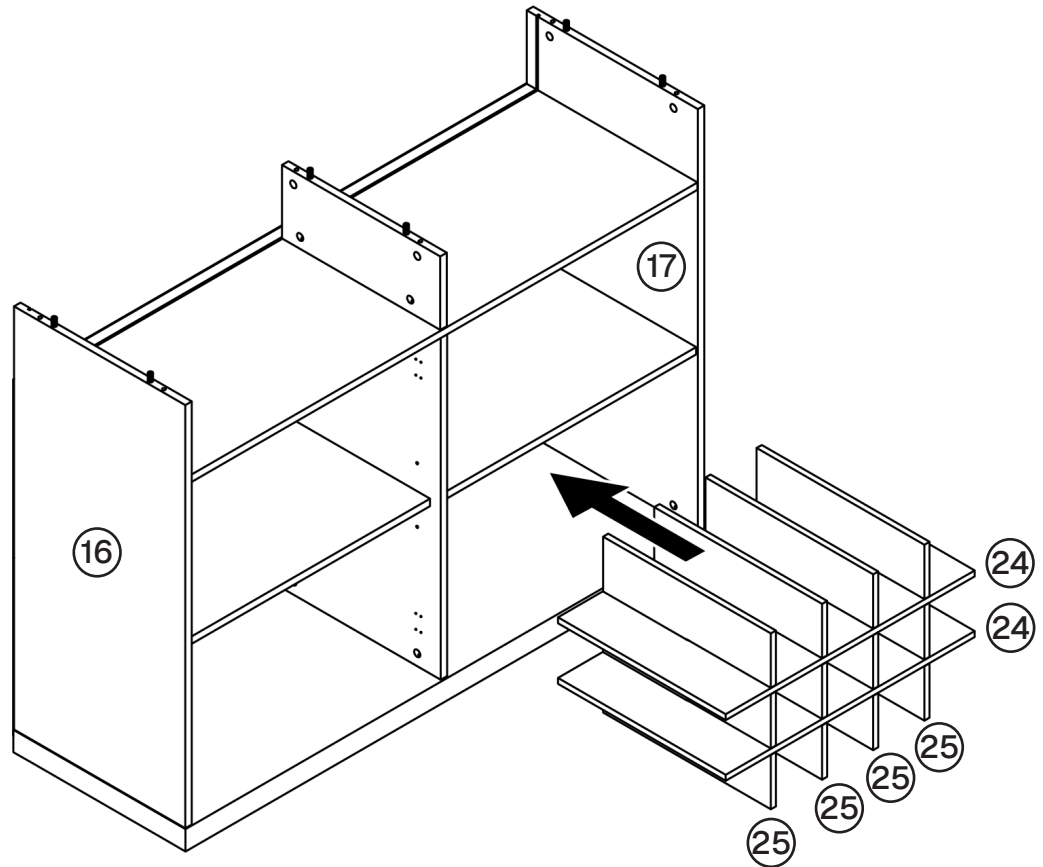
15

Assembling bottle rack



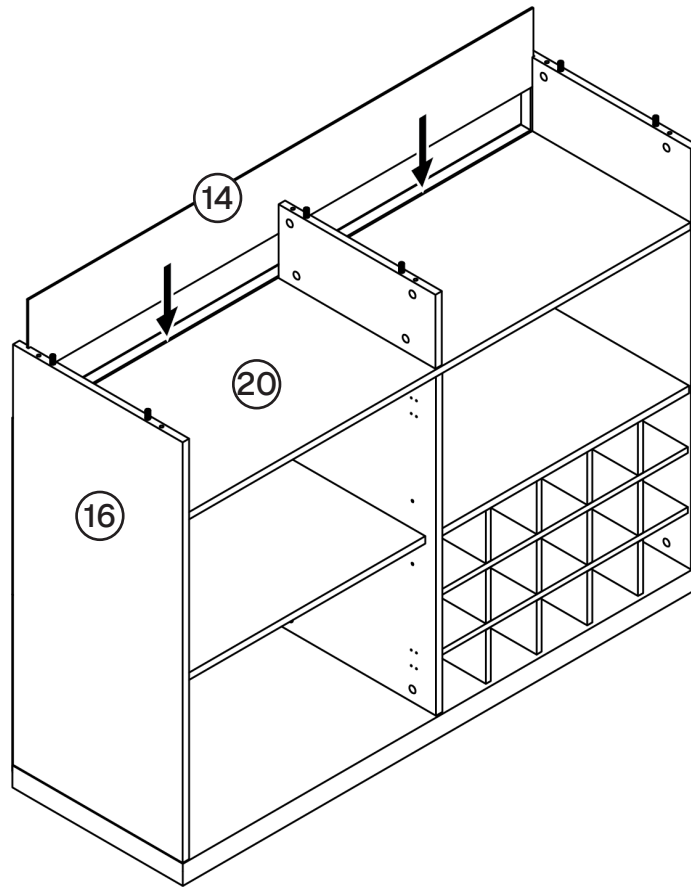
16

Inserting bottle rack



17

Inserting cabinet upper back panel

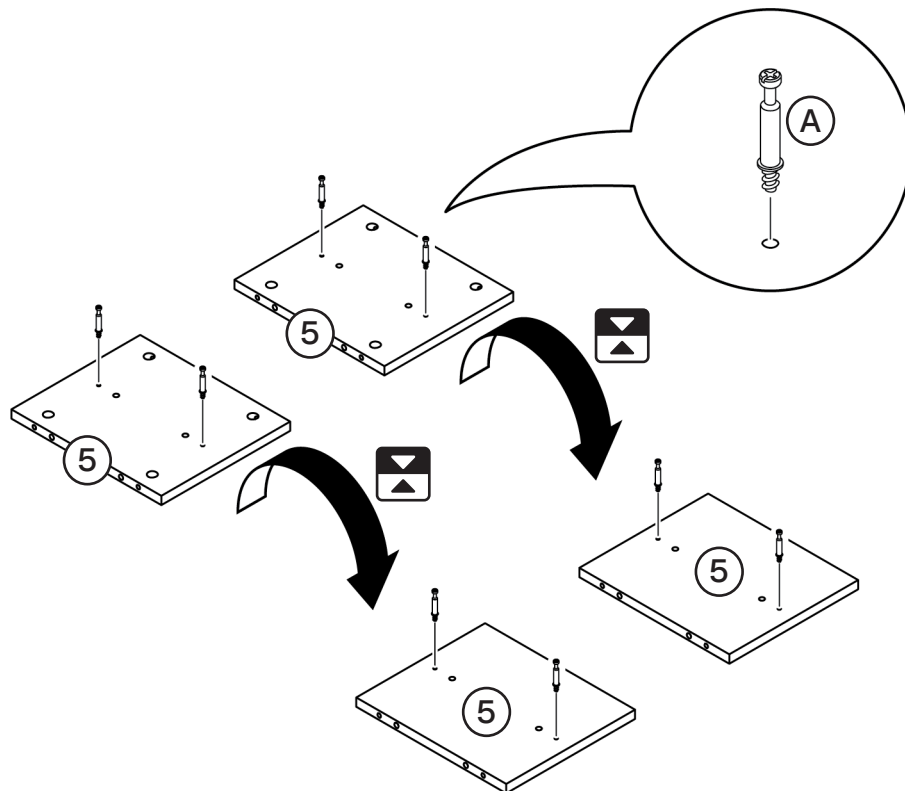


18

Hutch divider panels



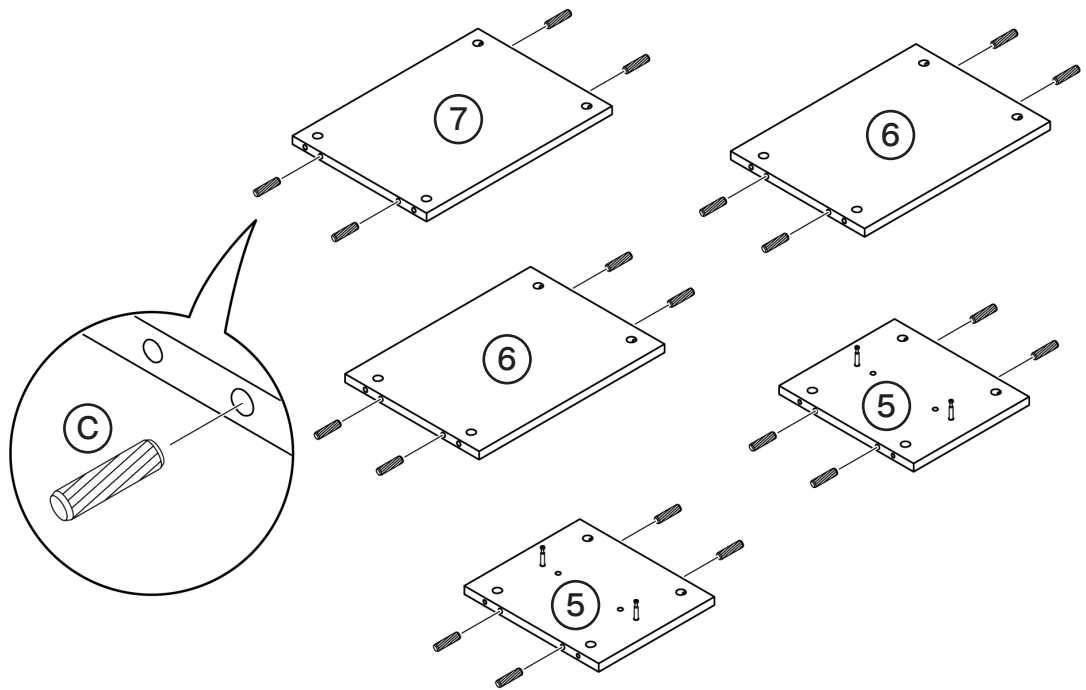
A 8x



19 Hutch divider panels, and storage shelf panels



C 20x



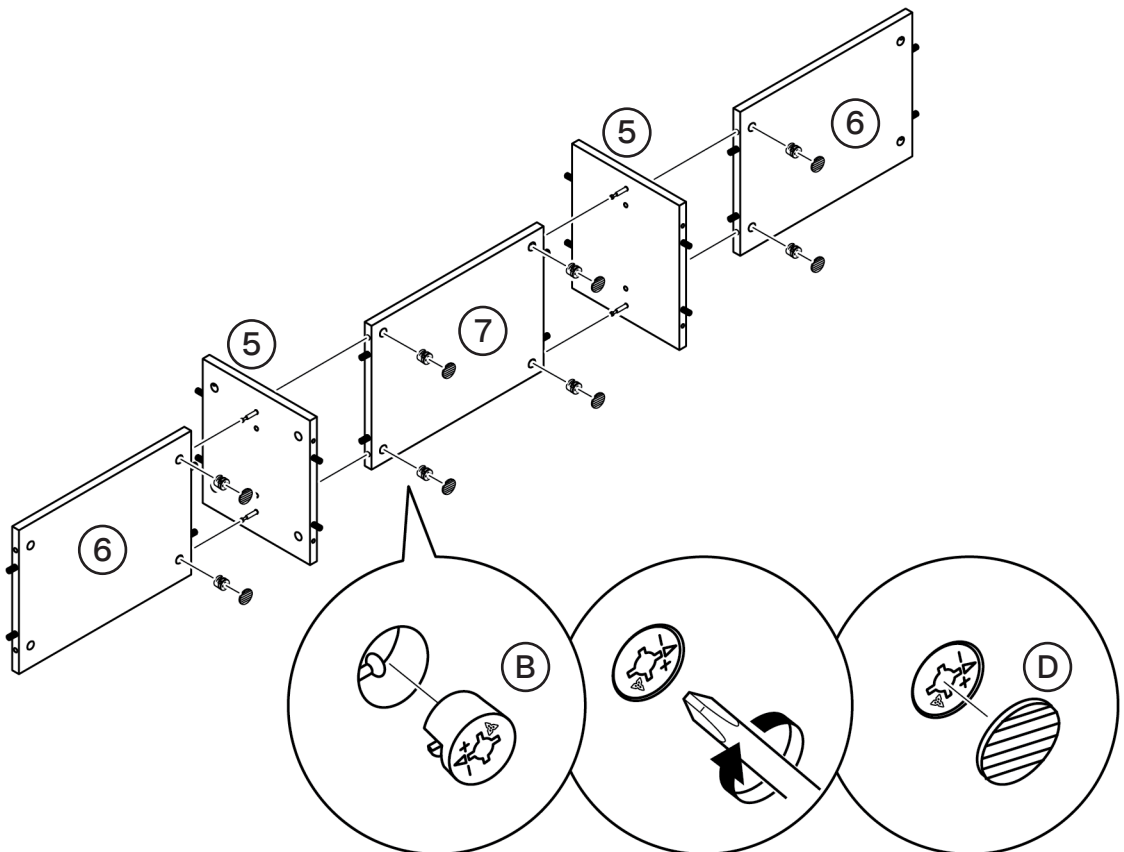
20 Assemble the hutch storage shelf



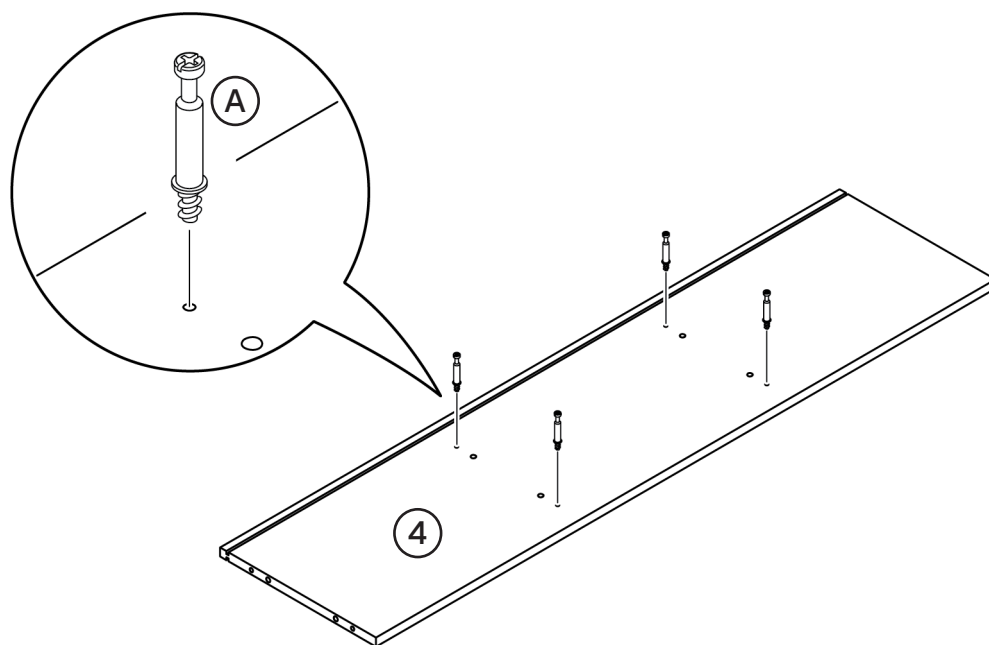
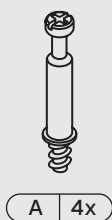
B 8x



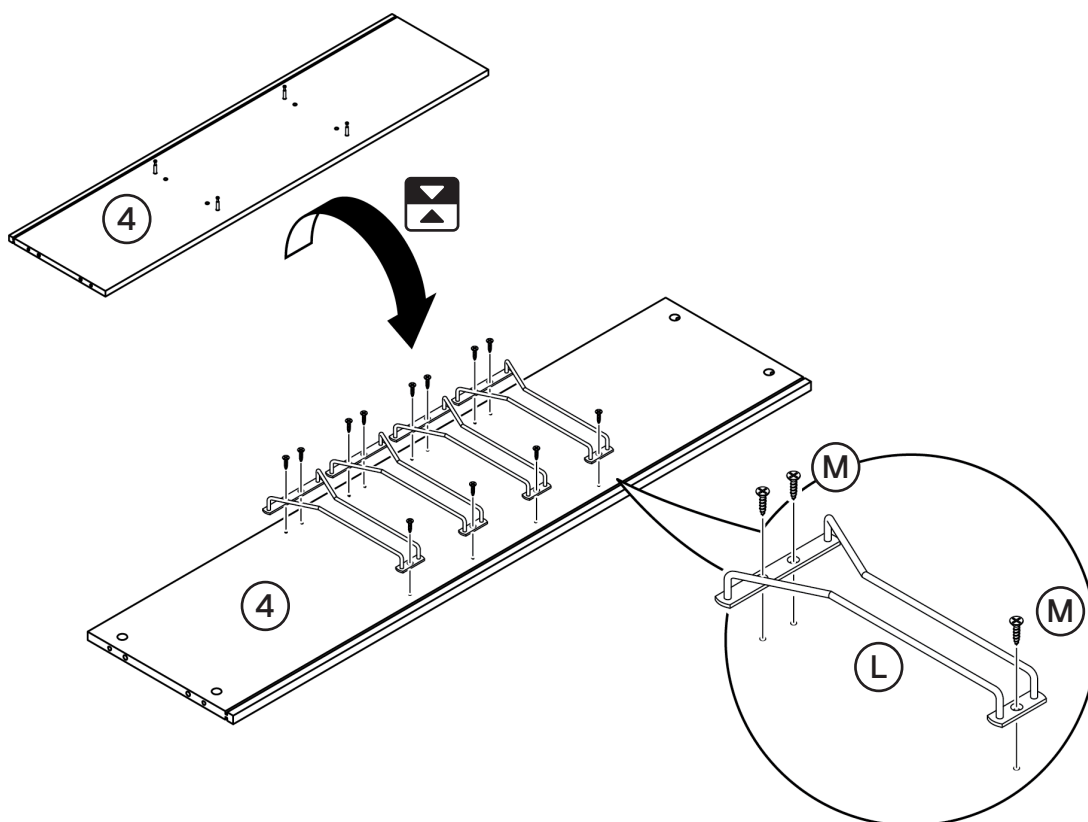
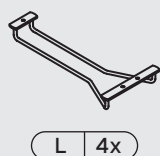
D 8x



21 Hutch middle panel



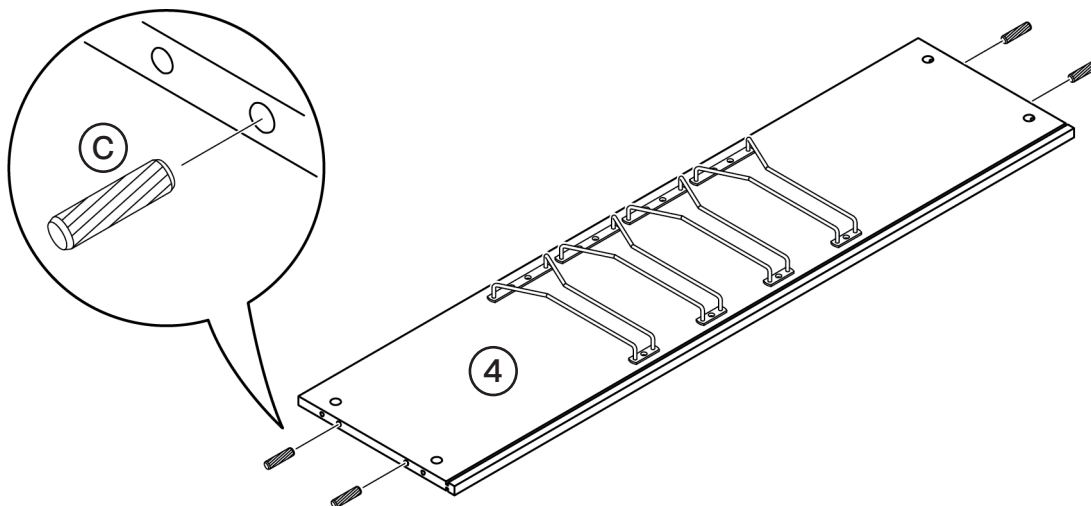
22 Attaching wine glass stepware hanger



23 Hutch middle panel



C 4x



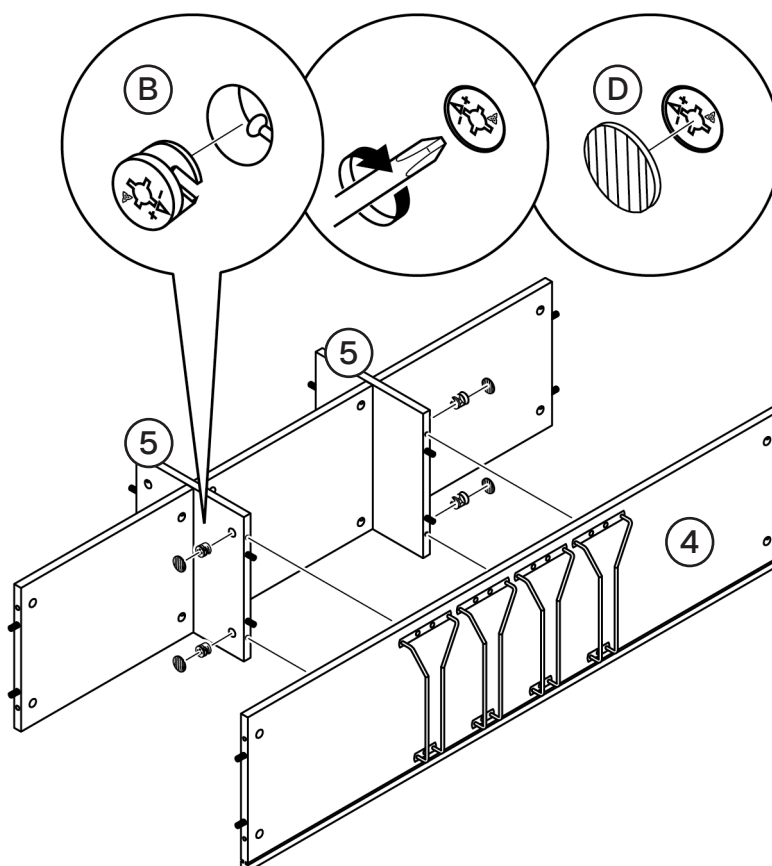
24 Attaching hutch middle panel



B 4x



D 4x

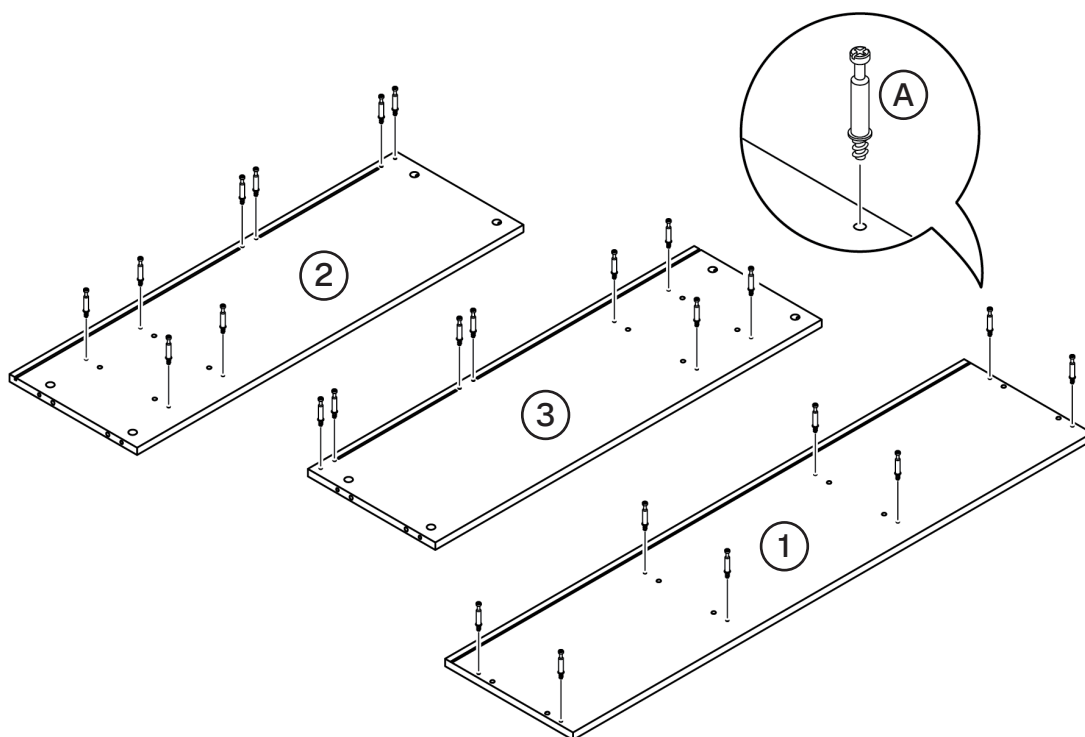


25

Top panel and hutch lateral panels



A 24x



26

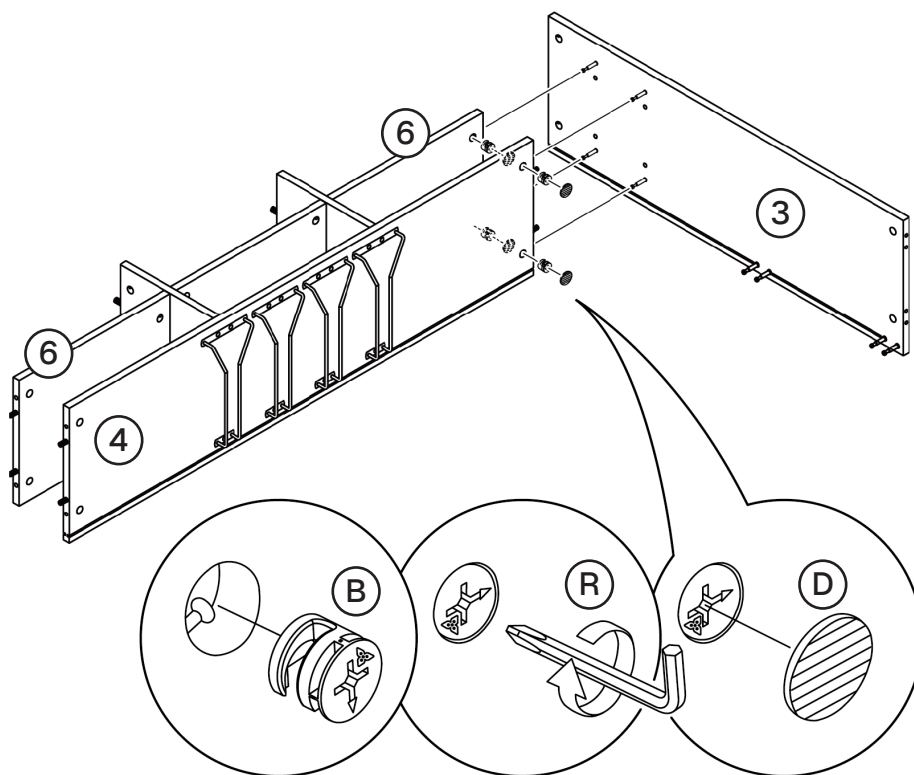
Attaching hutch right lateral panel to hutch storage shelf



B 4x



D 4x



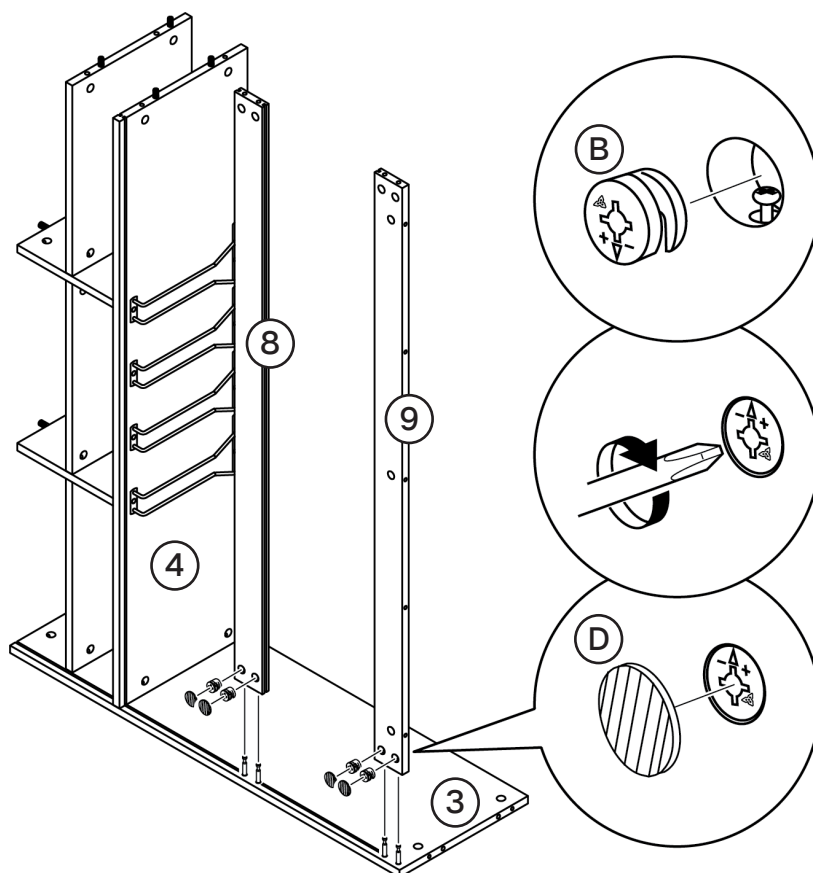
27 Attaching hutch crossbars



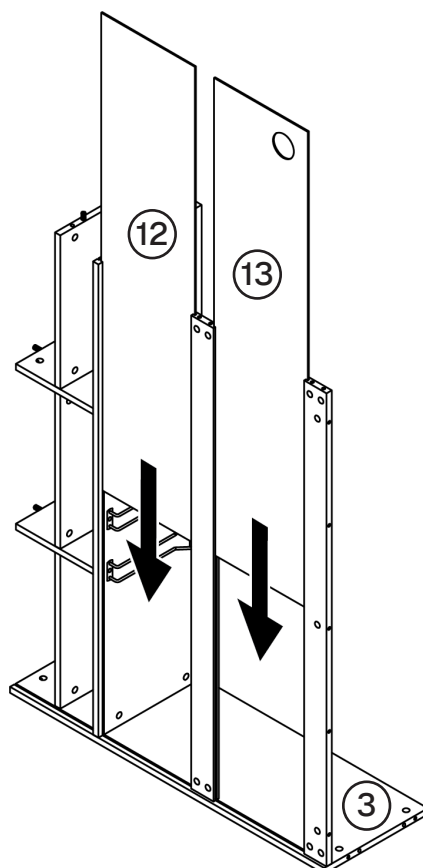
B 4x



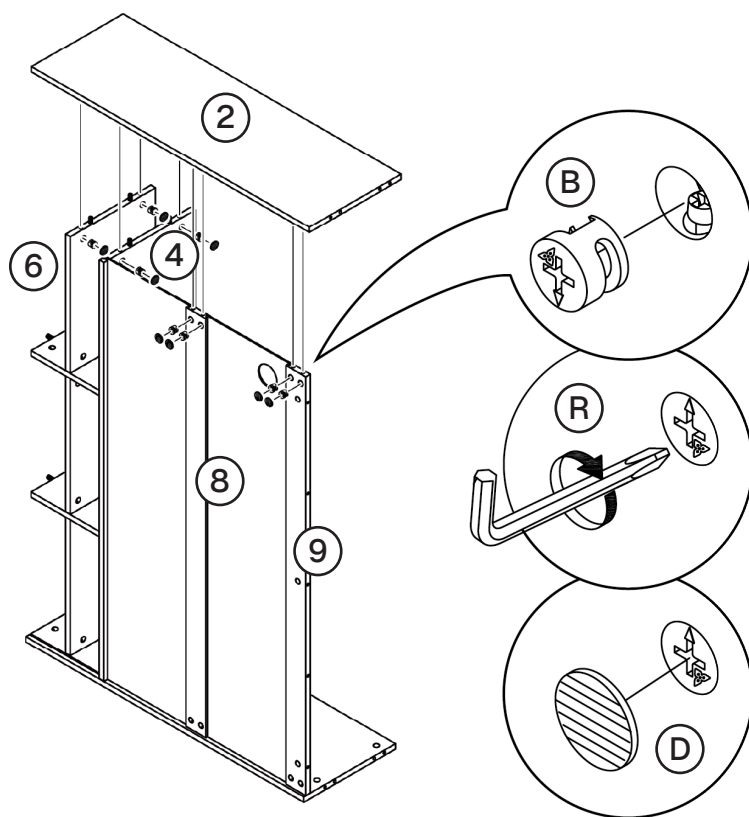
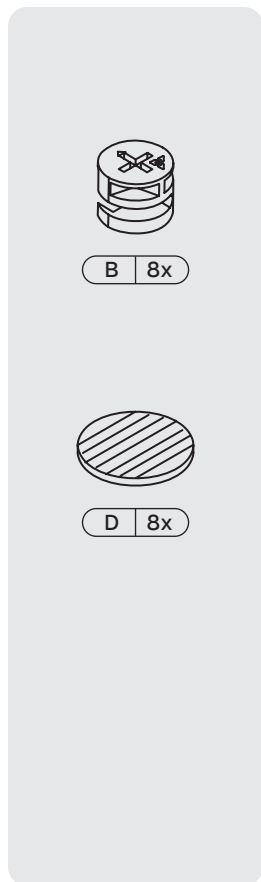
D 4x



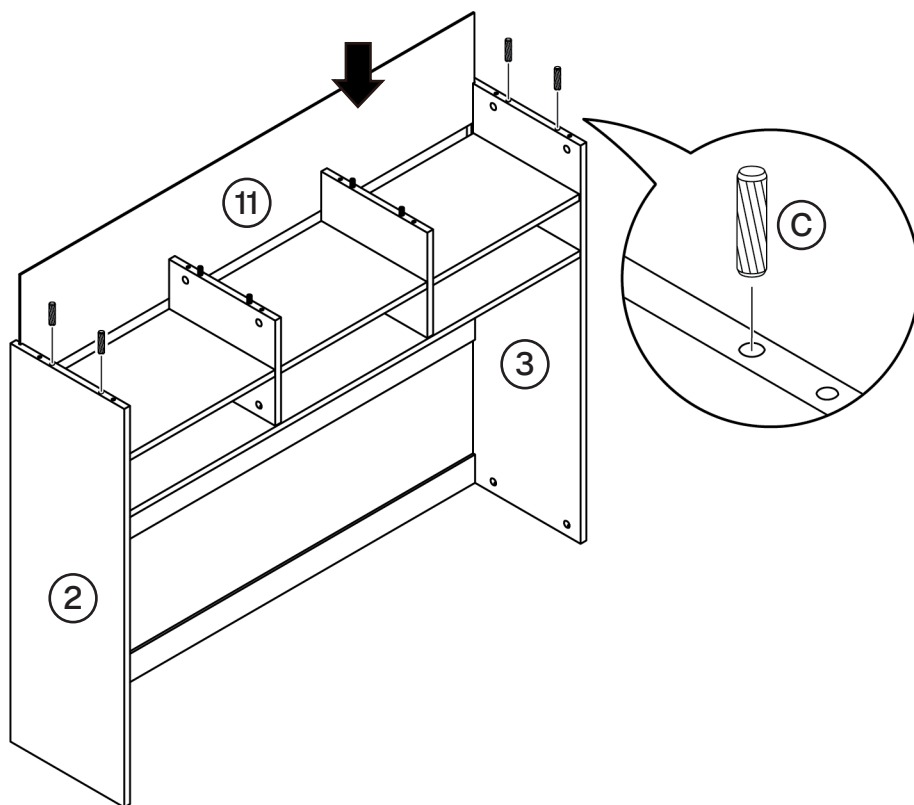
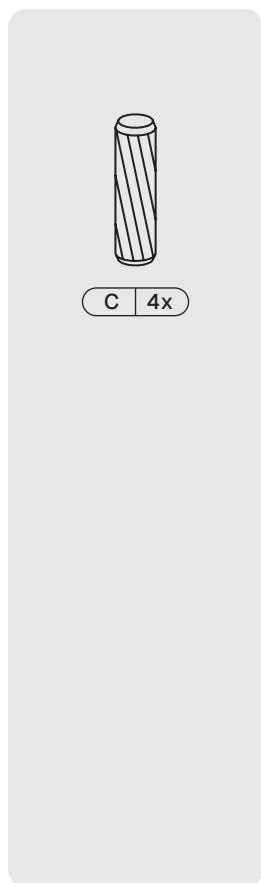
28 Sliding in hutch back panels



29 Attaching hutch left lateral panel



30 Inserting wood dowels on hutch lateral panels



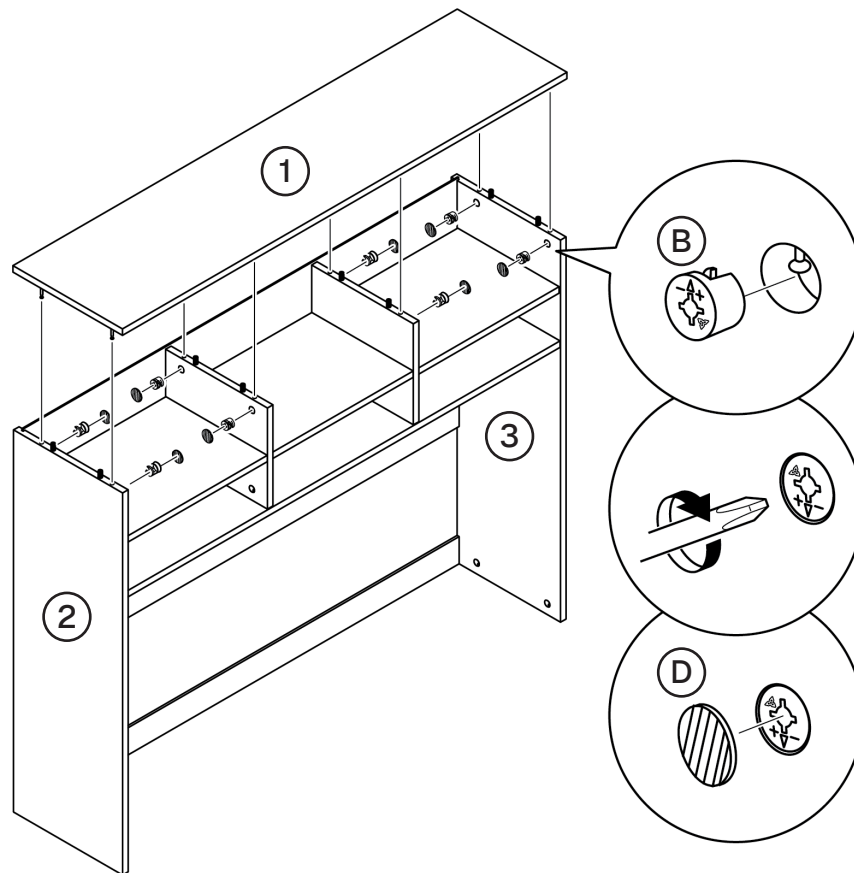
31 Attaching top panel



B 8x



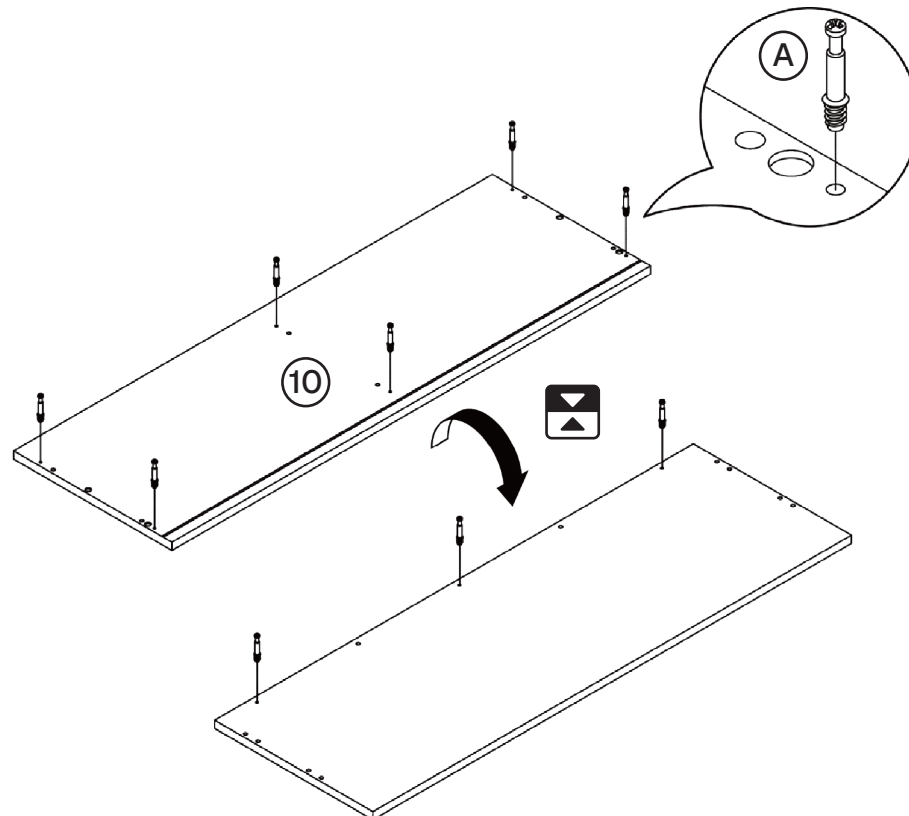
D 8x



32 Cabinet countertop panel



A 9x

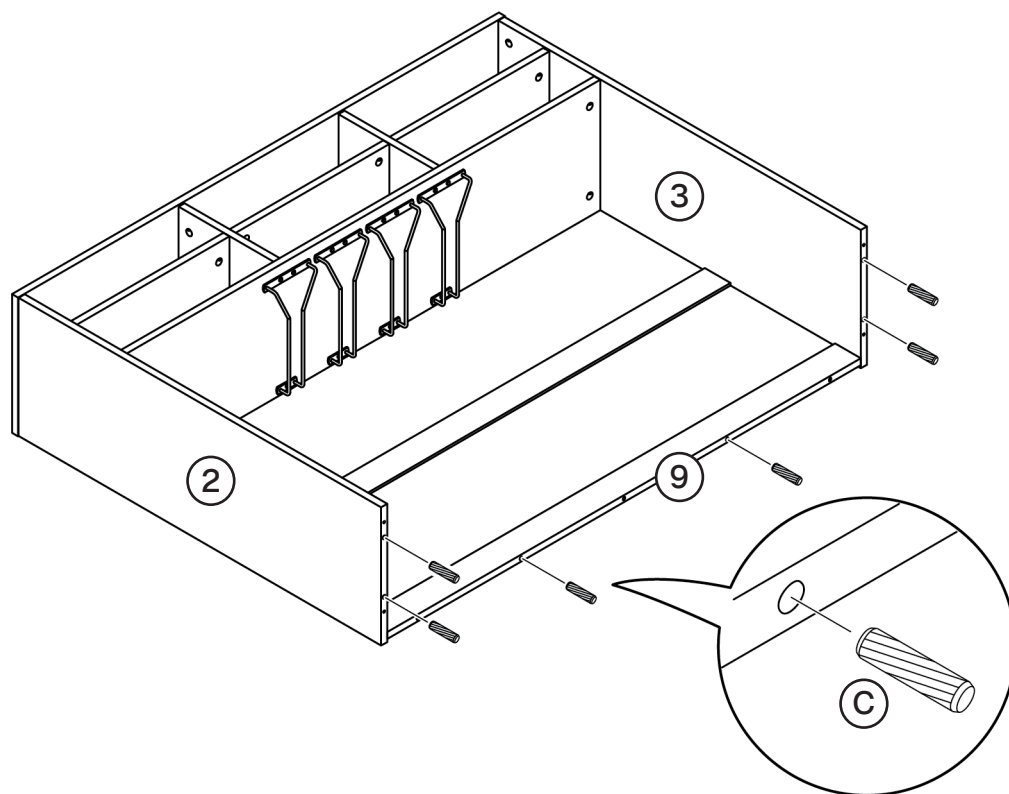


33

Inserting wood dowels to the hutch



C 6x



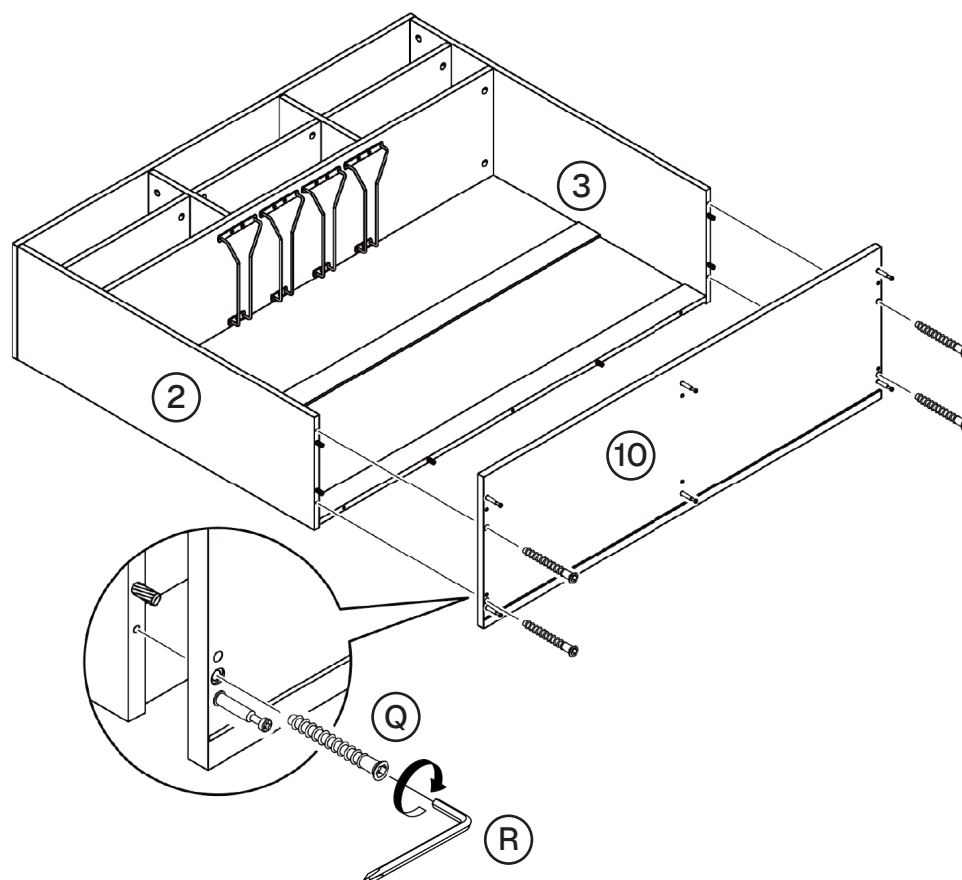
34

Attaching countertop panel



Q 4x

M6 x 50



35 Attaching countertop panel to the cabinet

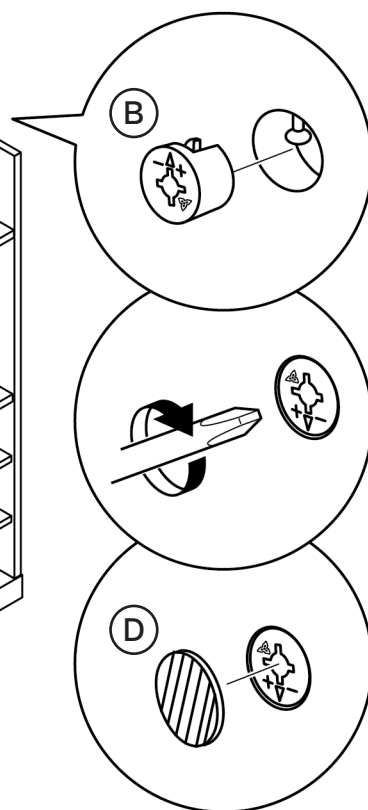
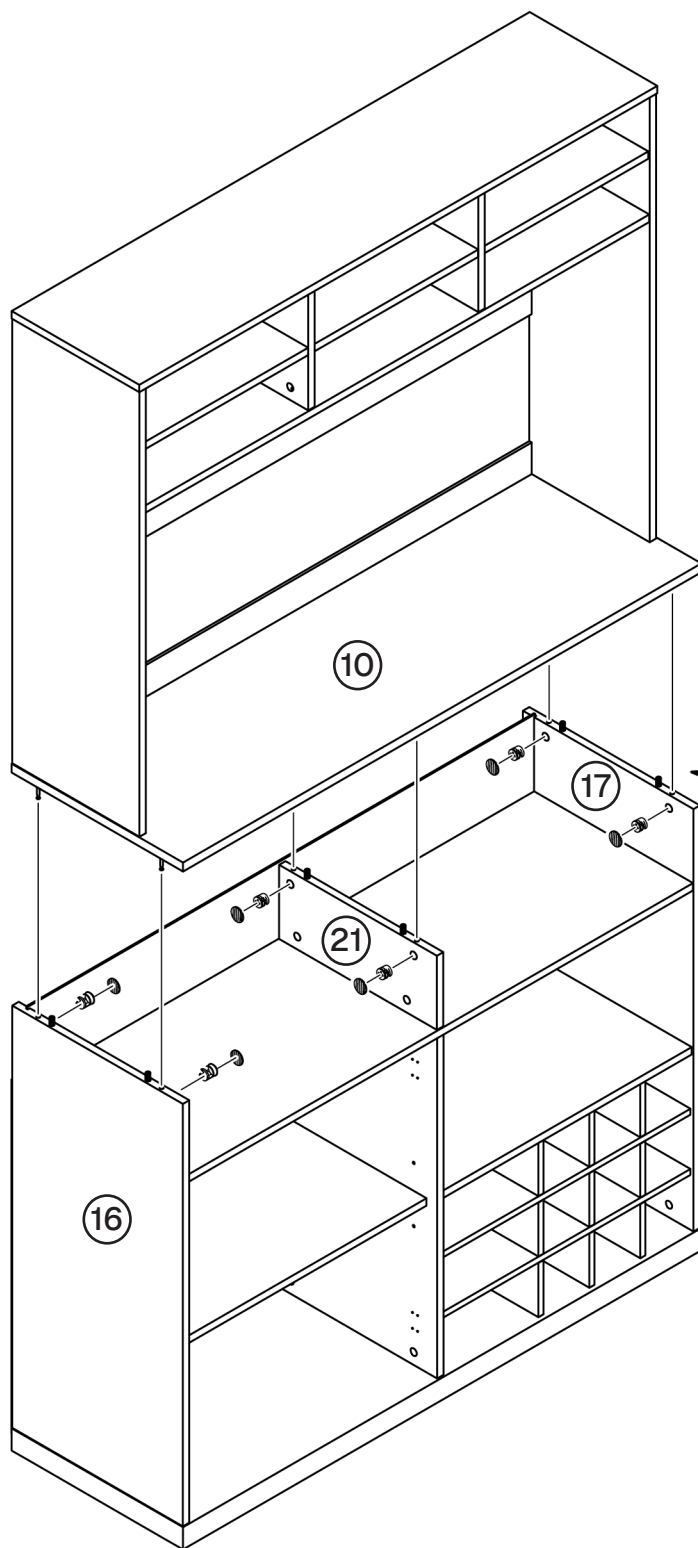


B 6x



D 6x

★ Note: This step requires two people to install.



36

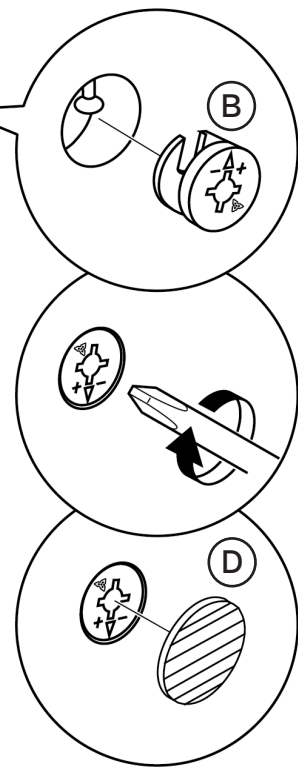
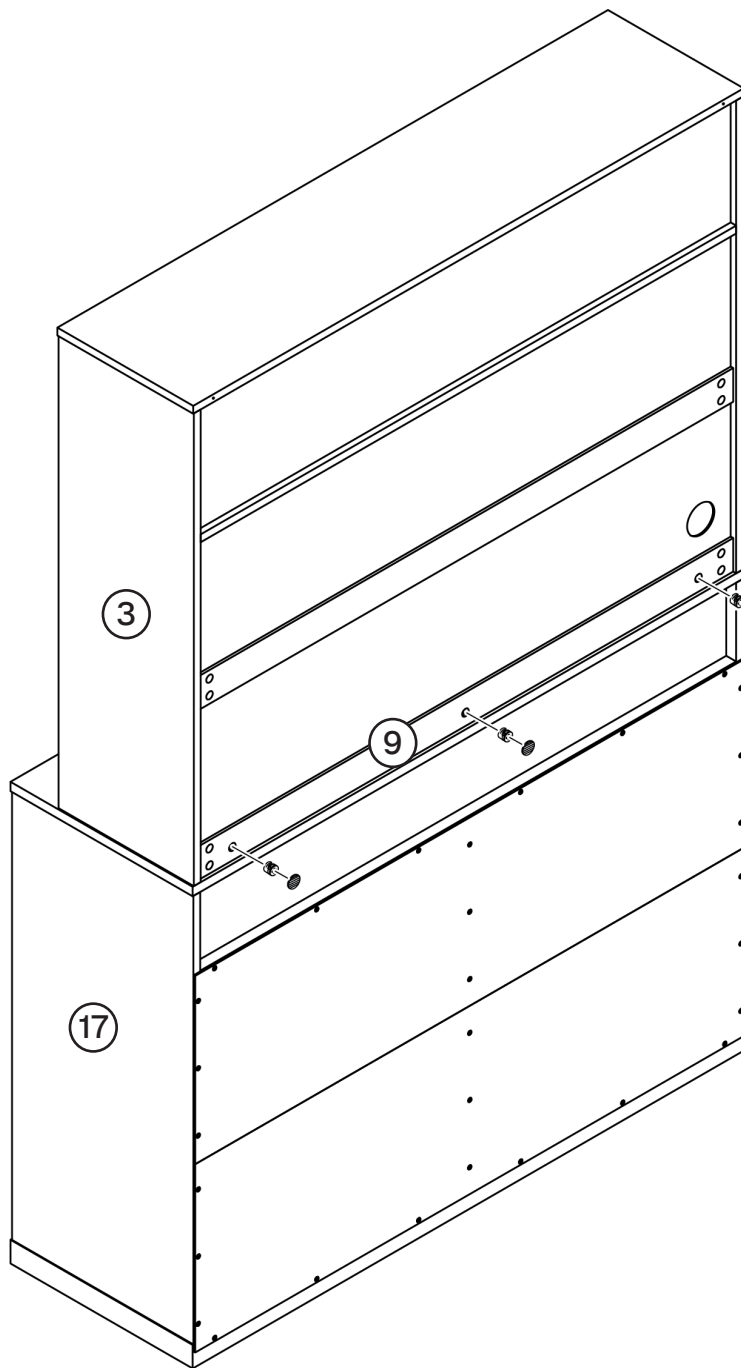
Securing countertop panel to crossbar



B 3x



D 3x



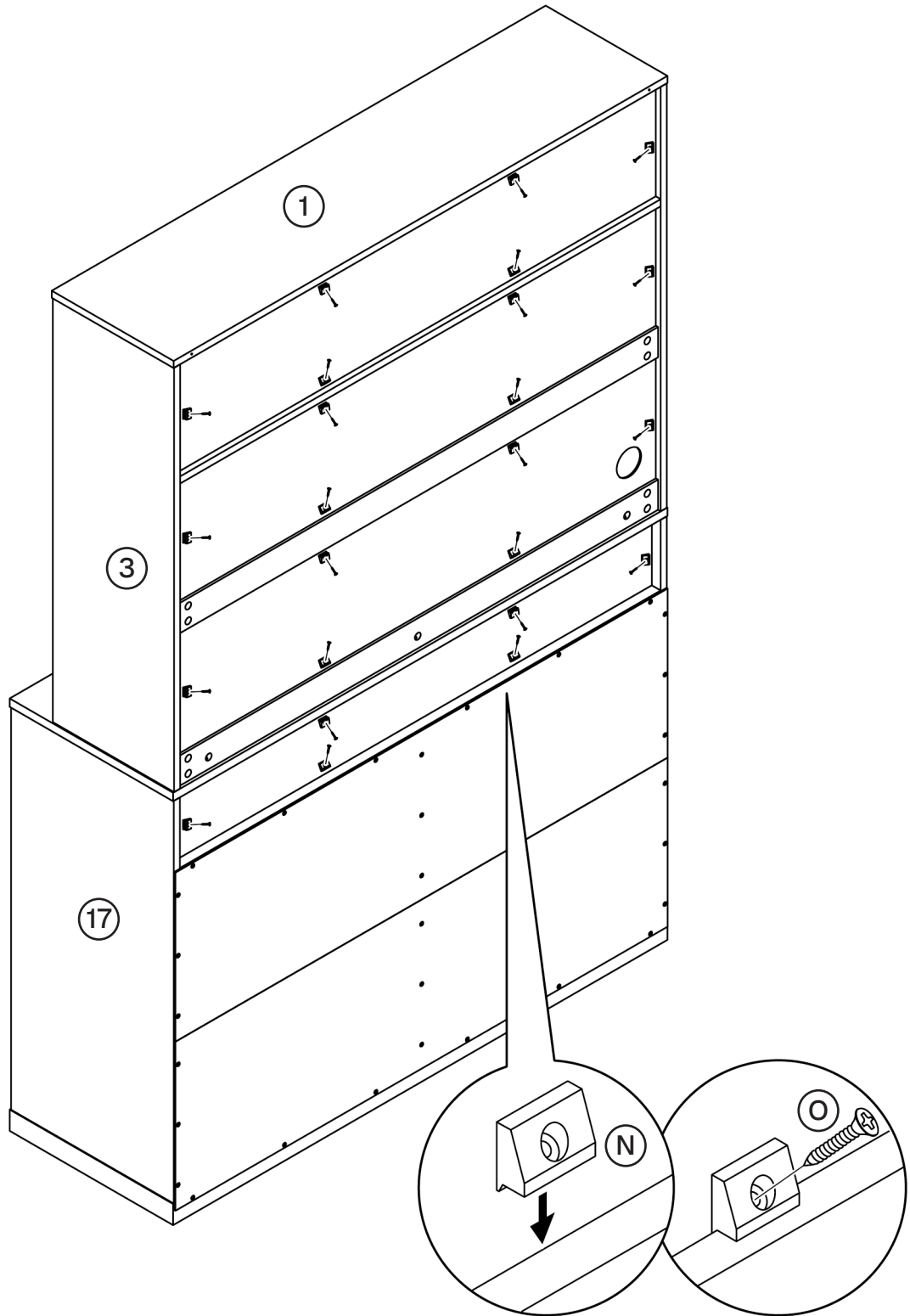
37 Securing back panels in place



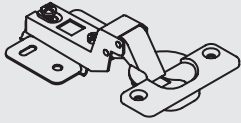
N 24x



O 24x



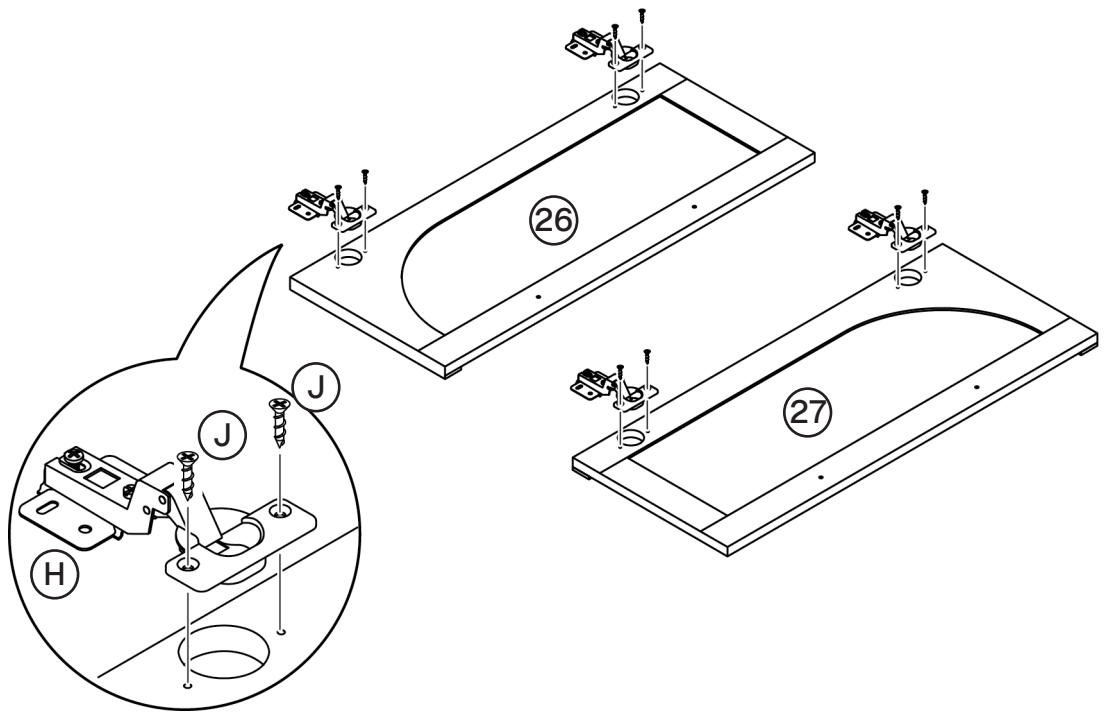
38 Attaching door hinges



H 4x

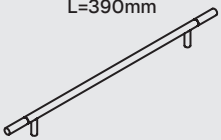


J 8x



39 Attaching door handles

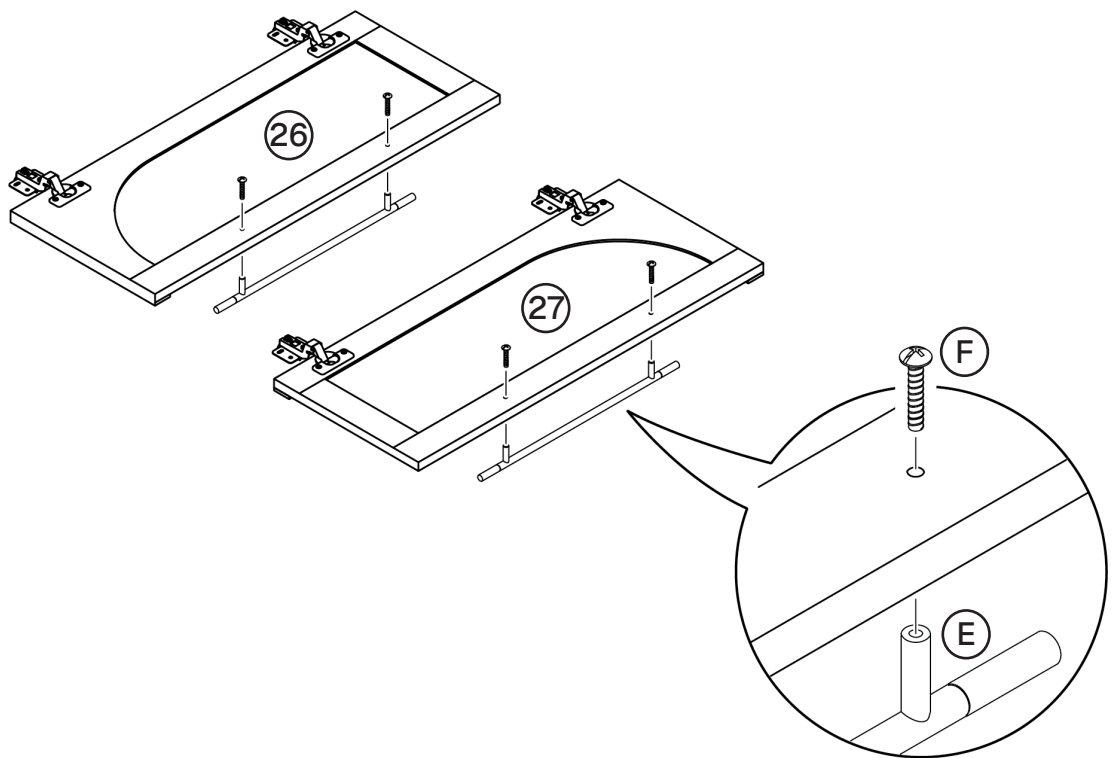
L=390mm



E 2x



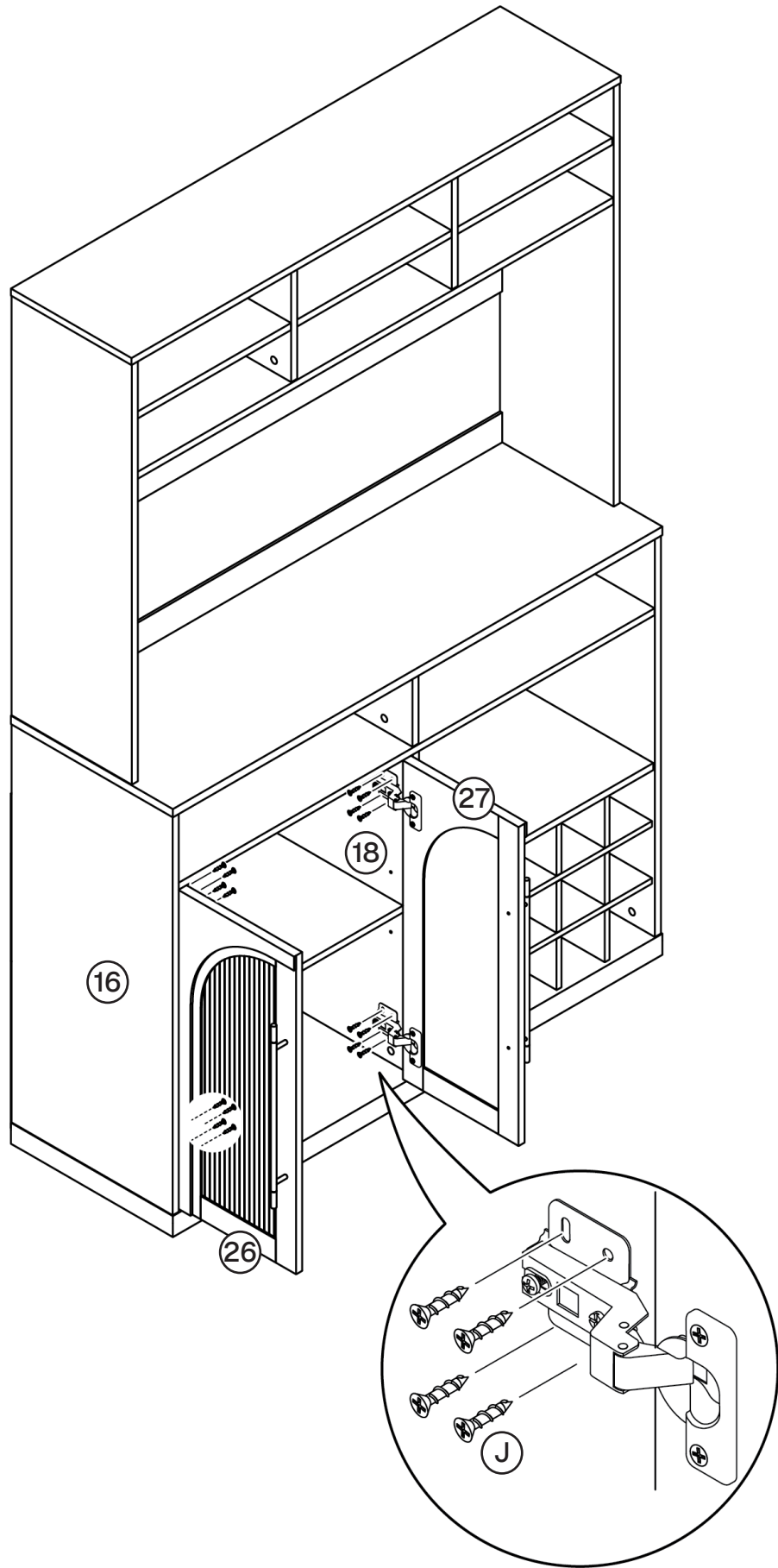
F 4x



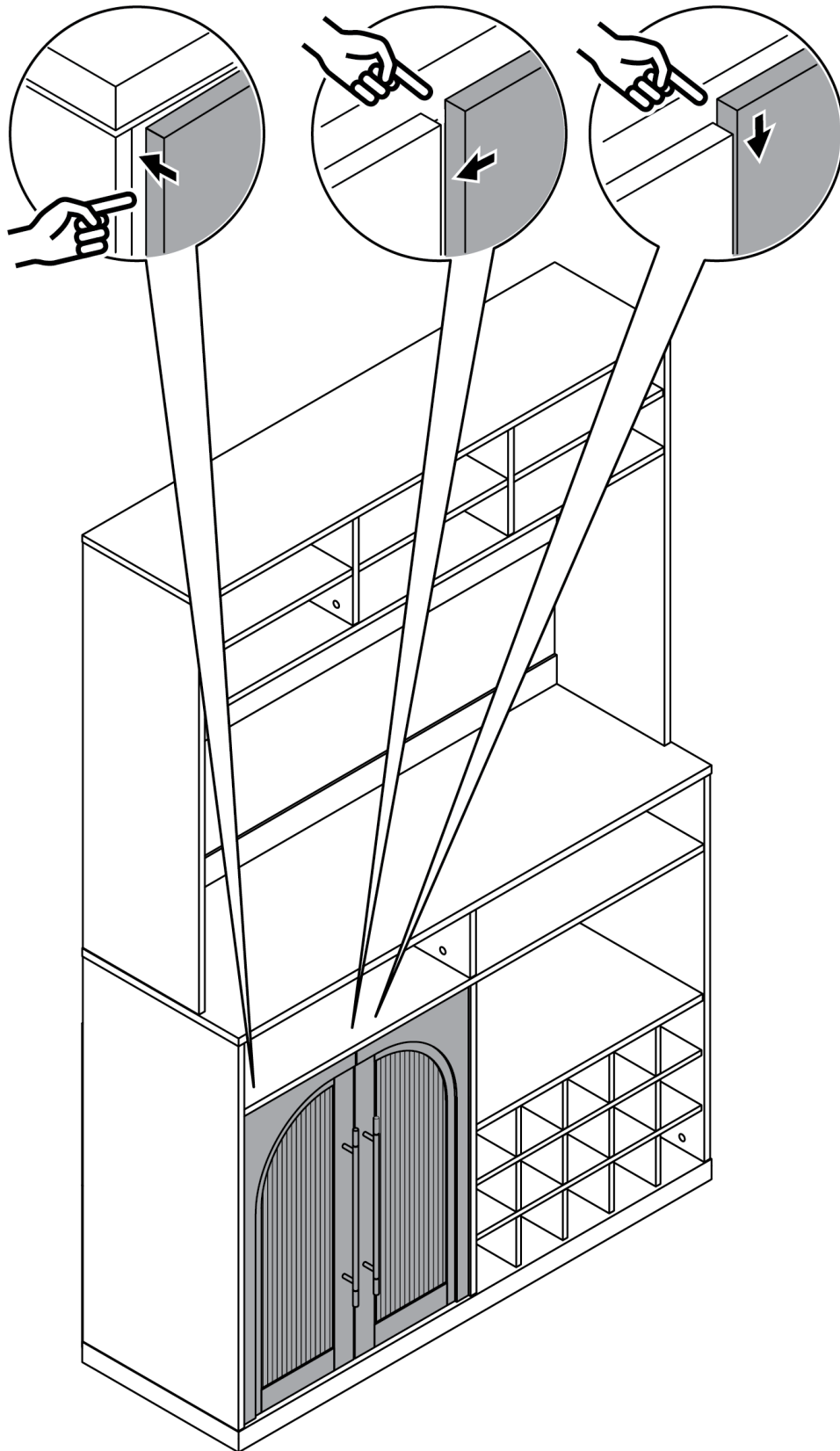
40 Attaching cabinet doors



J 16x

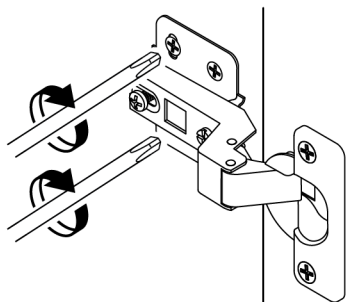
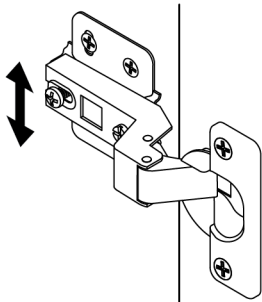
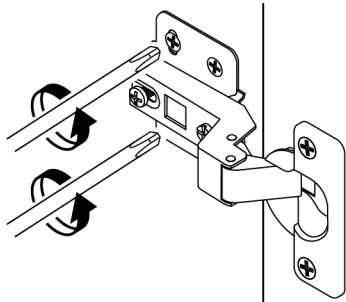
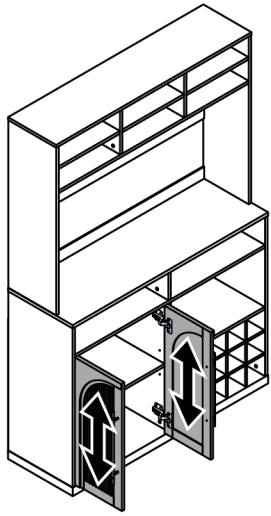


i

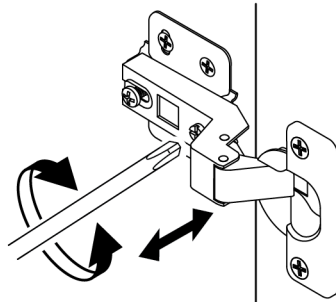
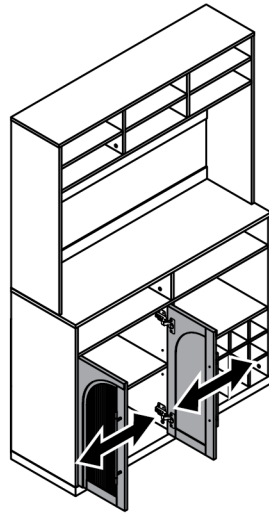


Adjust the door hinge if there is excessive gaps or height difference between the cabinet doors and/or the cabinet. Adjust both the top and bottom hinge on the same door for best result.

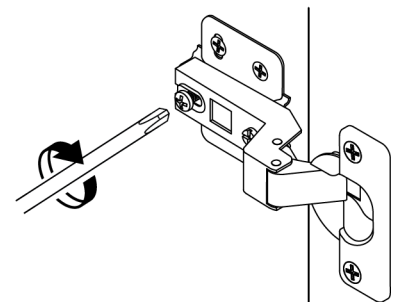
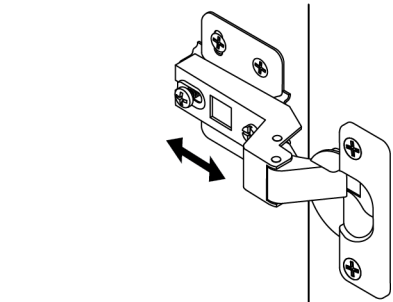
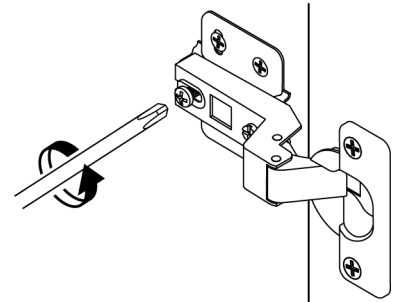
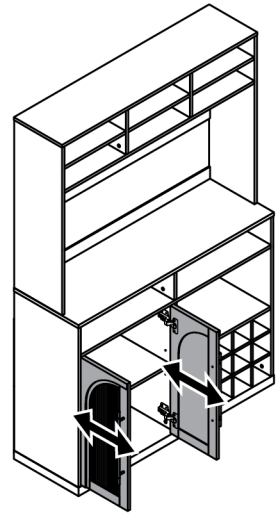
i



Loosen the screws on the mounting plate to adjust the door up and down.



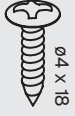
Adjust the screw on the hinge to micro-adjust the door from side to side.



Loosen the screws on the hinge arm to adjust the door in and out.

41

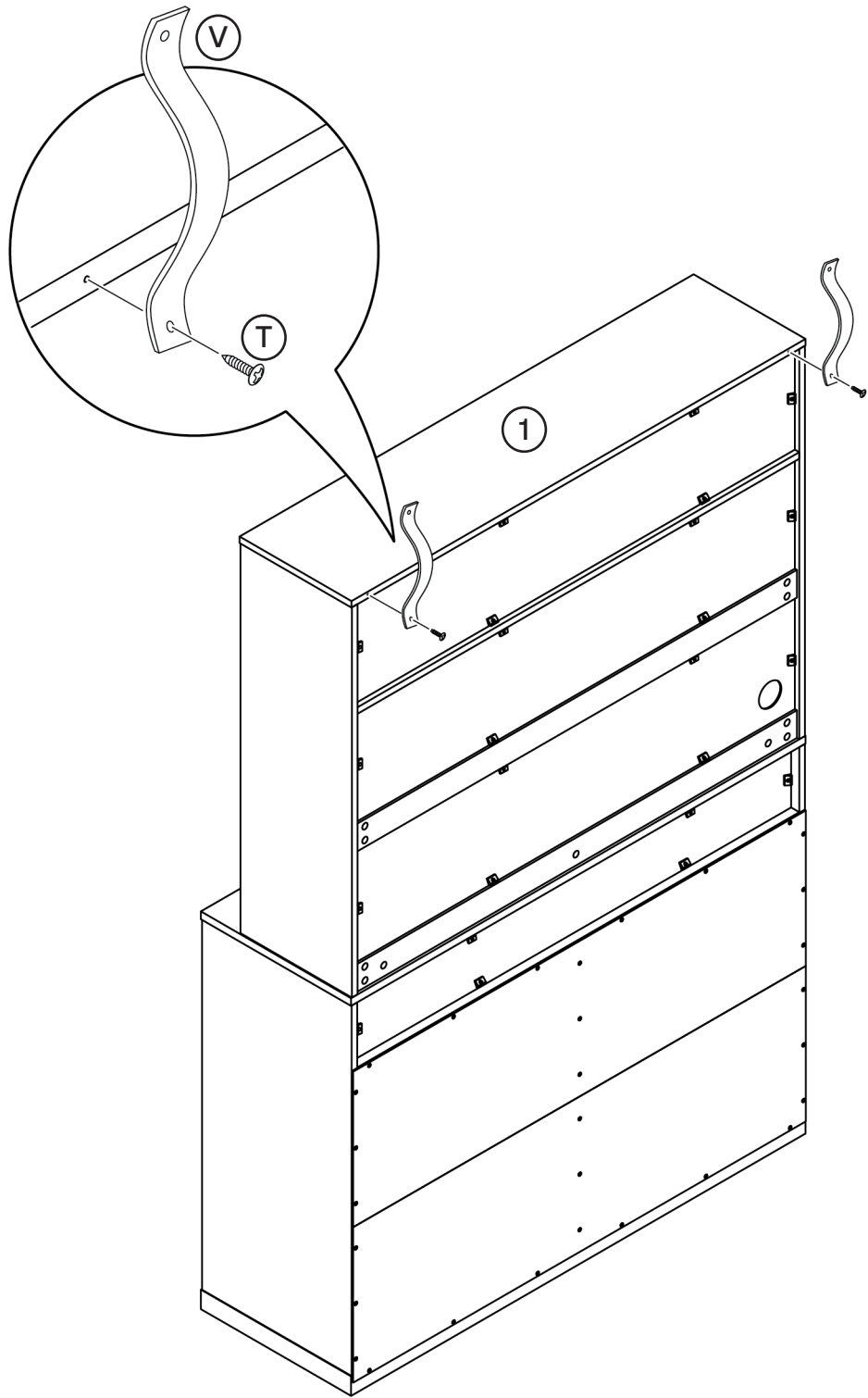
Attaching anti-tipping straps



T 2x



V 2x



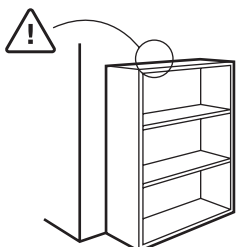
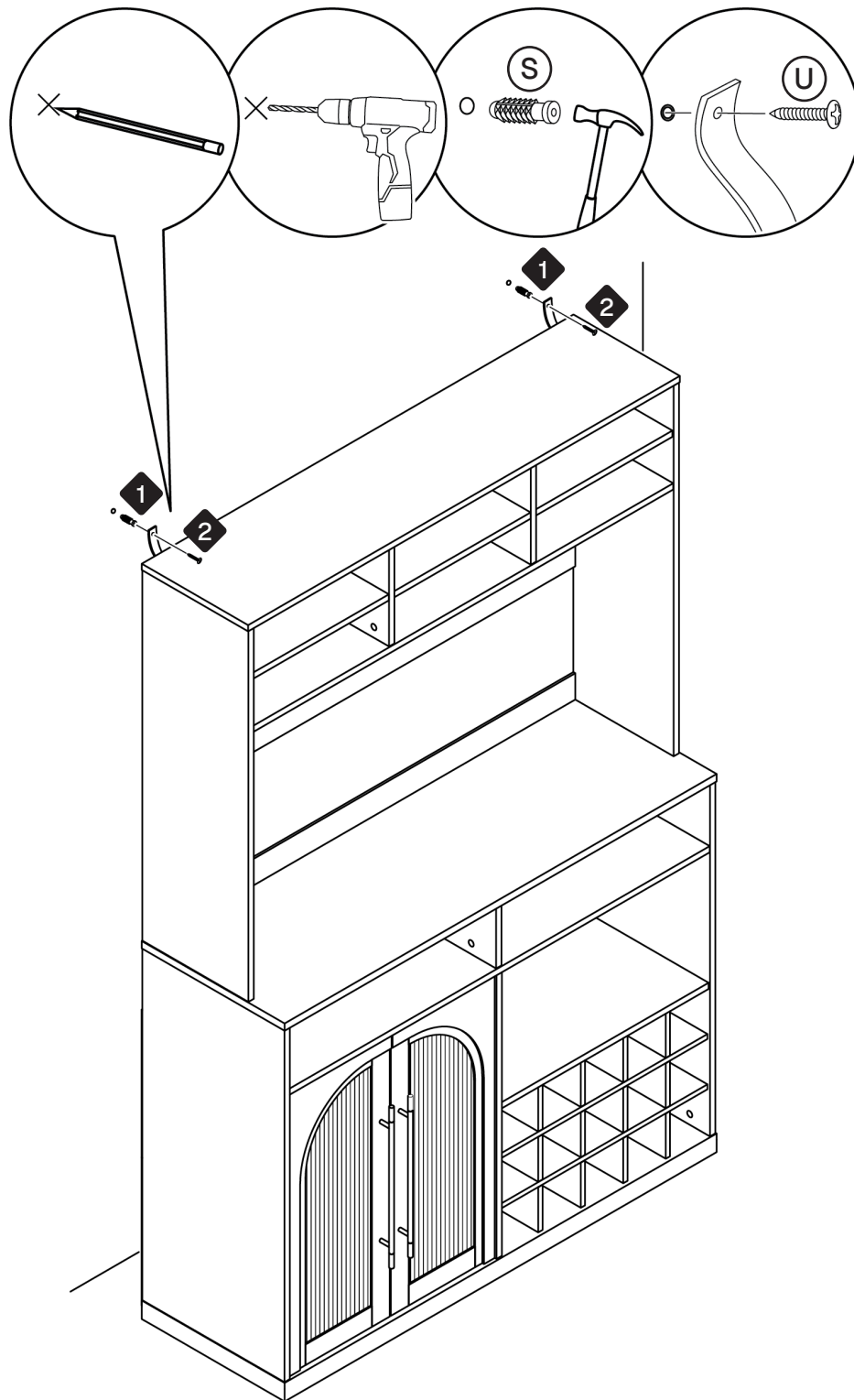
42 Affixing the cabinet to a wall



S 2x



U 2x



Furniture must permanently fixed to the wall stud with included anti-tipping device to prevent the furniture from tipping over.

- Mark the drill position on the wall with a pencil.
- Drill a small hole on the marked position.
- Insert a wall anchor into the drilled hole.
- Fixed the anti-tipping strap to the wall with provided screws.

Care and Maintenance

Thank you for your purchase. We want your item to last as long as possible. To ensure the product gives you years of longevity, please follow the recommendations in this care and maintenance guide.



Maintenance

- Tighten all bolts and crews again within the first 2 weeks of assembly.
- Check the tightness of all bolts every 2 months and re-tighten them if they come loose.



Cleaning

- Clean the surface of the MDF (medium density fiberboard) with a lightly dampened cloth.
- A small amount of mild soap can be used if necessary.
- Dry the surface immediately after cleaning.



Attention

DO NOT use bleach or alcohol based cleaner to clean the surface.
DO NOT apply wood treatment on parts made with MDF.

MDF will swell and distort when exposed to water damage.
Make sure to dry the furniture immediately after cleaning.



Attention

The manufacturer and seller are not responsible for any and all liability relating to personal injury, property damage or losses, whether direct, indirect, or incidental, resulting from the incorrect attachment, improper use, inadequate maintenance, unapproved modification or neglect of the product.

Warranty

The products comes with a 1-year warranty from the date of delivery.
Register your product on our website to enjoy out limited lifetime warranty!

After-Sale Service



Encounter any difficulties or missing parts?



We will send you replacement.



Hassle free!
No need to worry about repackaging and sending your item back.