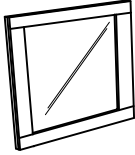


# ASSEMBLY INSTRUCTIONS

## MODEL : 0408A DRESSER & MIRROR


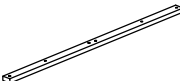
### (BOX 1)

BOX OF MIRROR

NO	ITEM	QTY
	MIRROR	
A		1 PC

### (BOX 2)

BOX OF DRESSER

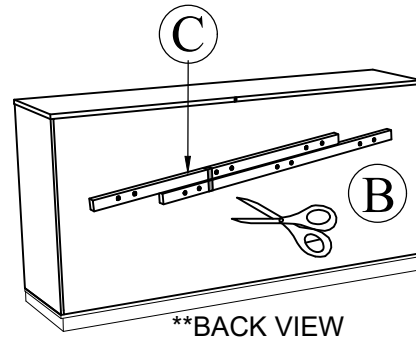
NO	ITEM	QTY
	DRESSER	
B		1 PC
	MIRROR SUPPORT	
C		2 PCS

### (BOX 1)

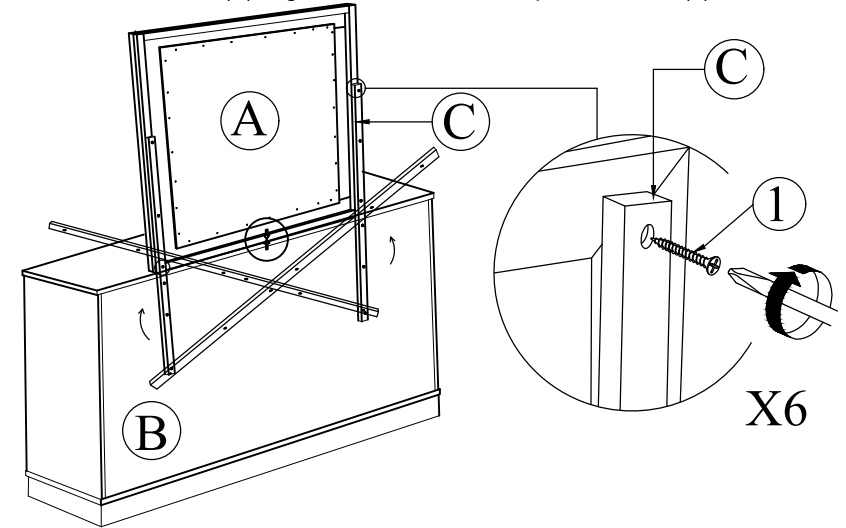
BOX OF MIRROR

NO	ITEM	QTY
	FLAT HEAD CHIPBOARD SCREW m4 x 32mm RBW	
1		10 PCS

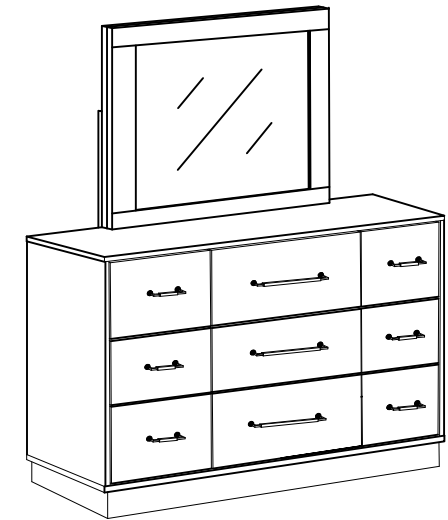
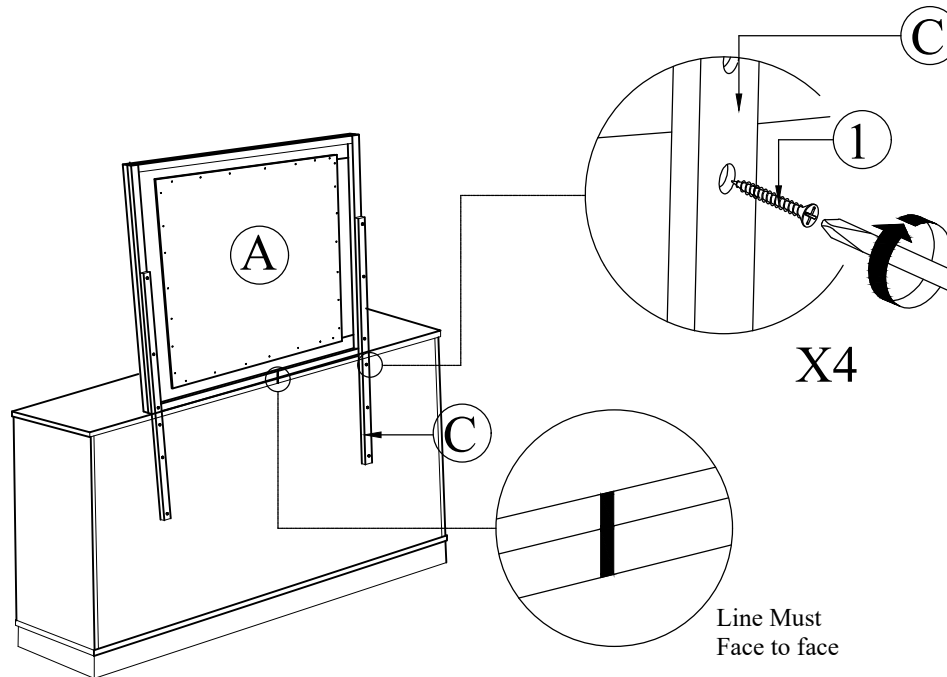
**STEP 1 :** Cut of the Raffia String from the back of DRESSER ( B ).



**STEP 2 :** Turn the MIRROR SUPPORT RAIL ( C ) upward at the back of DRESSER ( B ), then Tighten with CSK SCREW ( 1 ). Place the MIRROR FRAME ( A ) on the top of DRESSER ( B ). Tighten with Flat Head Chipboard Screw ( 1 ).



**STEP 3 :** Tighten the Flat Head Chipboard Screw ( 1 ) as shown.



COMPLETE ASSEMBLY

NOTE : MUST TIGHTEN SCREWS PERIODCALLY WITH USE SCREW WILL BECOME LOOSE CHECK TIGHTNESS OF ALL SCREW EVERY 6-8 WEEKS.