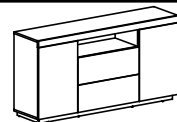
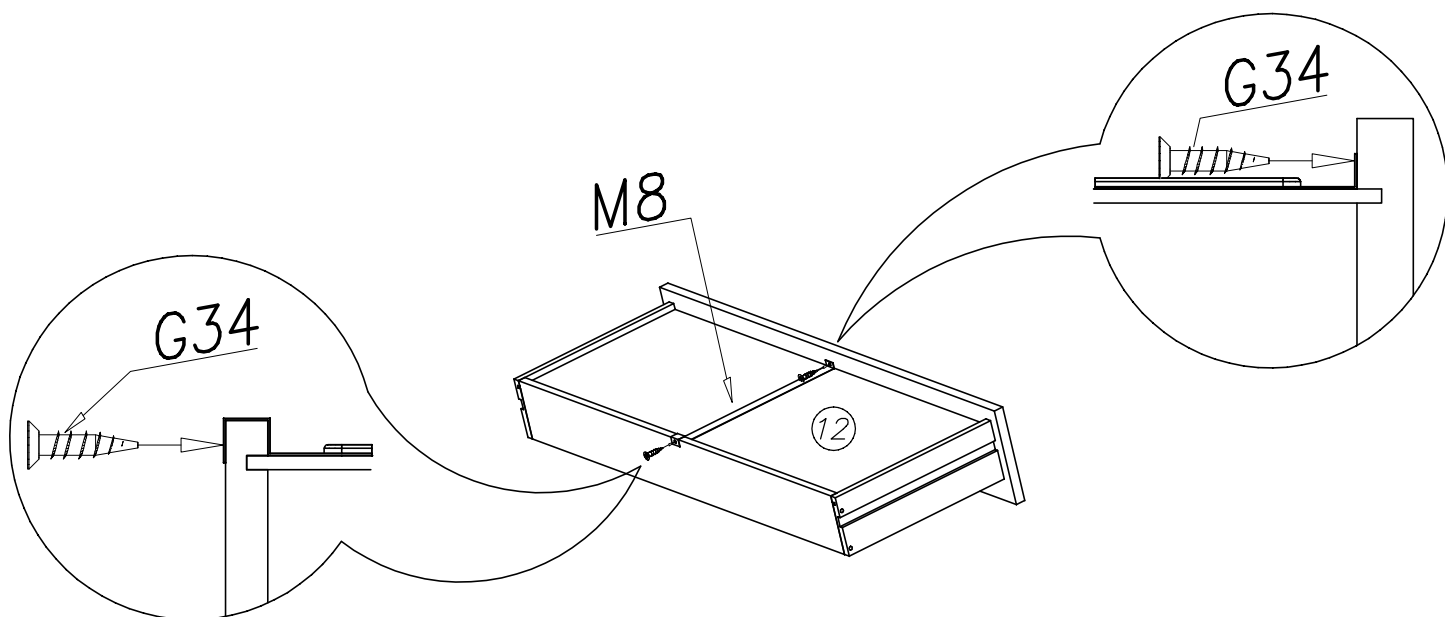
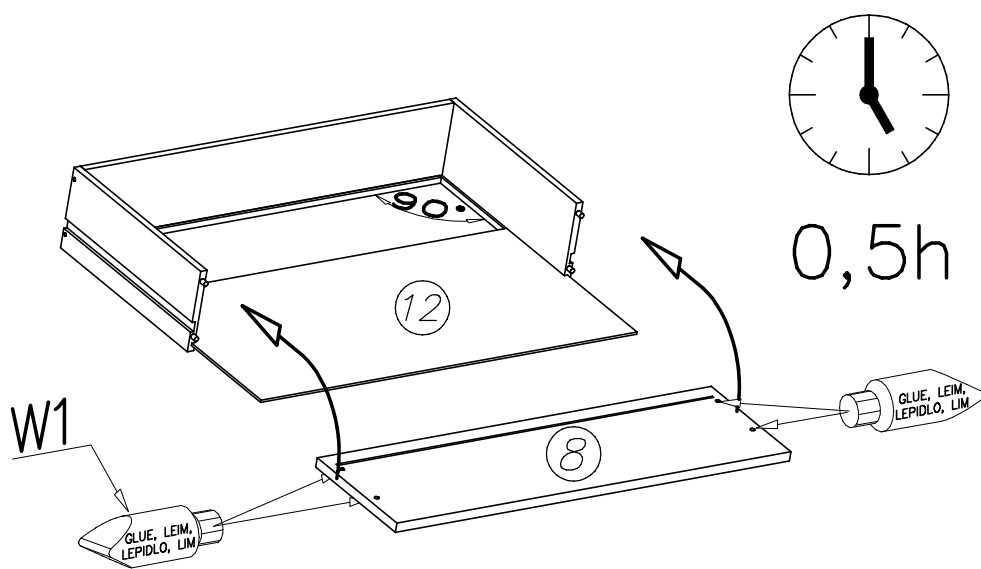
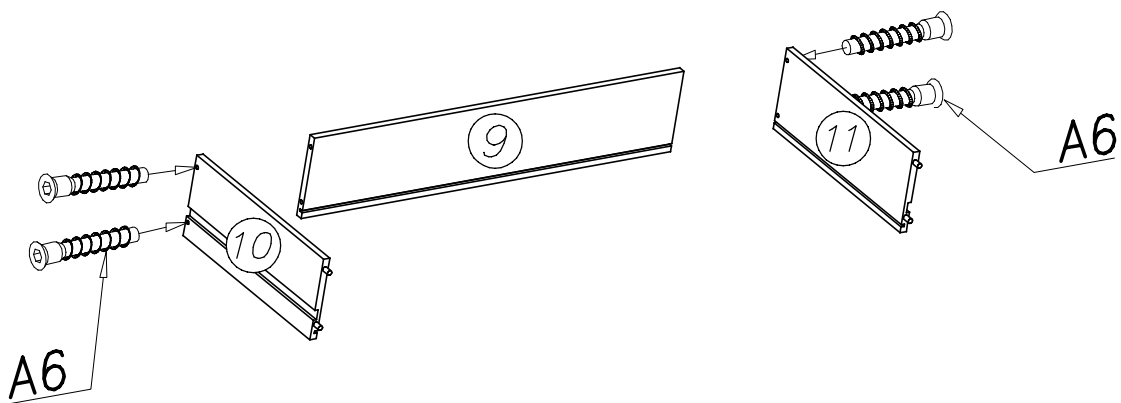
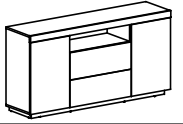


G56 4x16 x...(48) 	F2 x...(8) 	G57 3,5x16 x...(8) 		
F15 x...(8) 	P25 x...(2) 	A1 ø7x50 x...(8) 	M11 x...(2) 	S1 1606mm x...(1) 
G50 6x13 x...(8) 	F12 x...(4) 	I1 x...(10) 	M8 350mm x...(2) 	
W1 x...(1) 	A6 ø7x40 x...(8) 	H4 350mm x...(4) 	W2 x...(1) 	
K1 ø15x12 x...(12) 	P4 x...(8) 	C3 Z35PR x...(4) 	D3 H=2 PZ35PR x...(4) 	G34 3,5x16 x...(36) 
K10 x...(12) 	B1 ø8x35 x...(20) 	I7 x...(12) 	L13 x...(4) 	N1 M4x9 x...(4) 

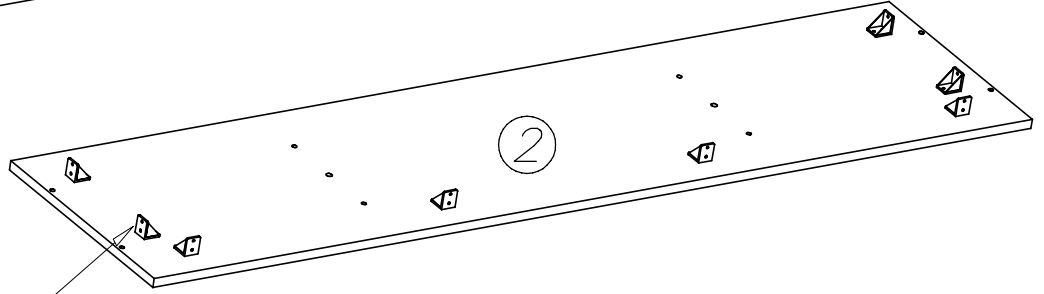
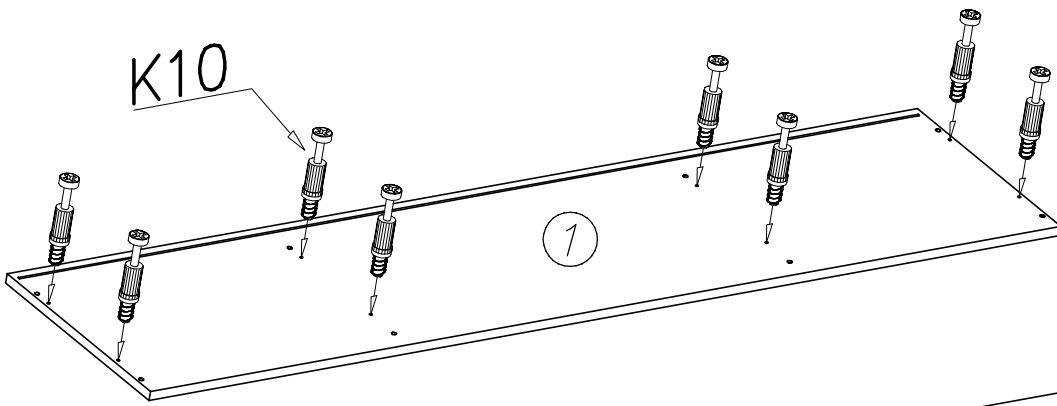


I

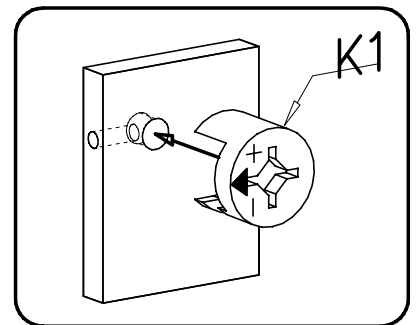
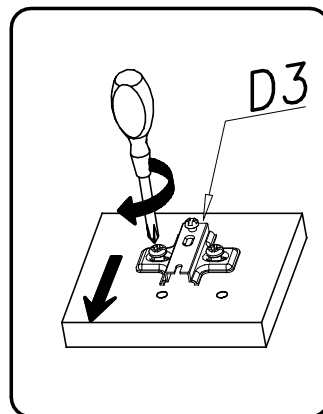
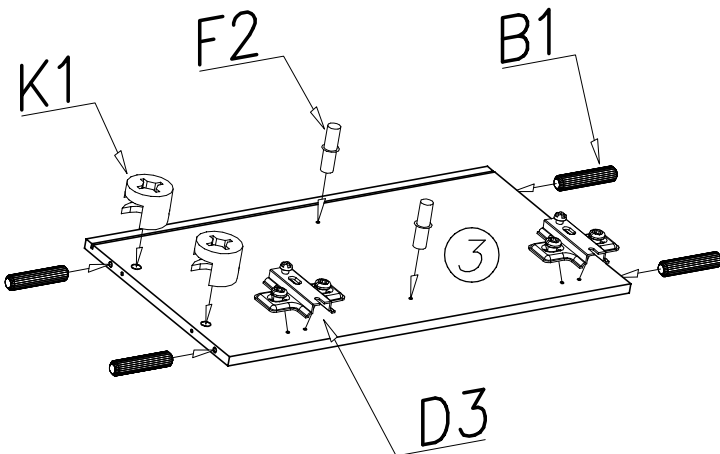
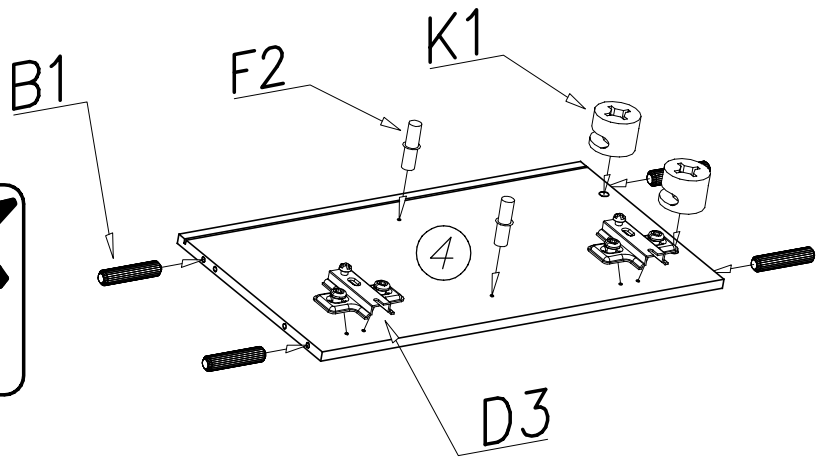
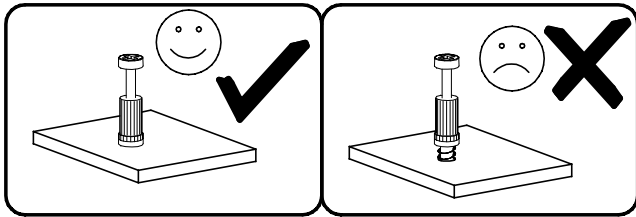
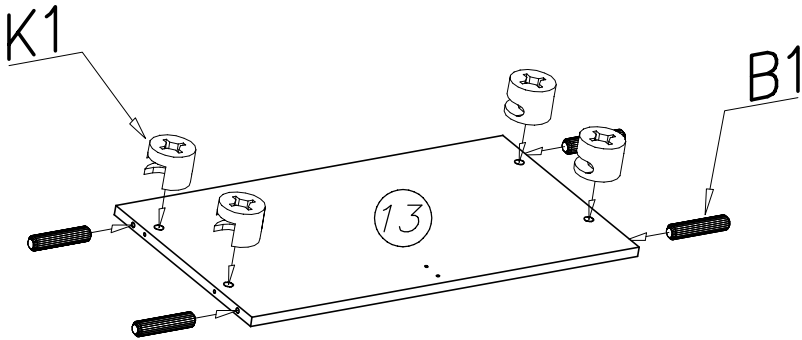
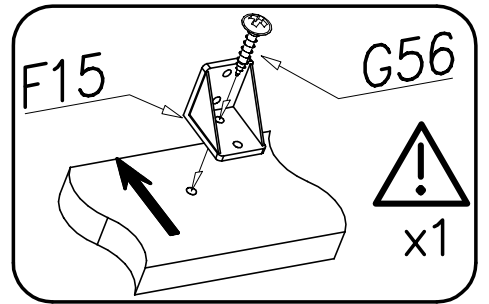


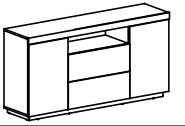


II

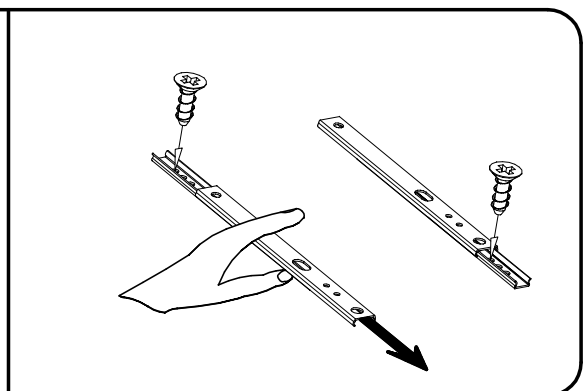
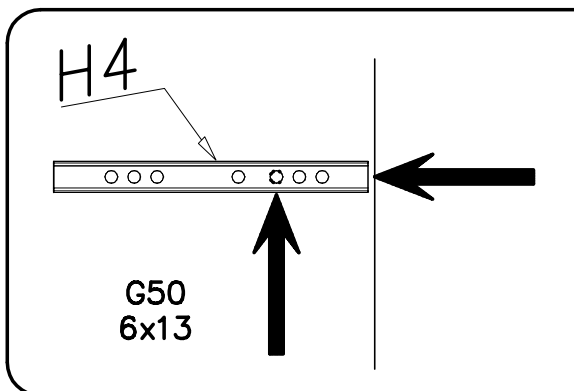
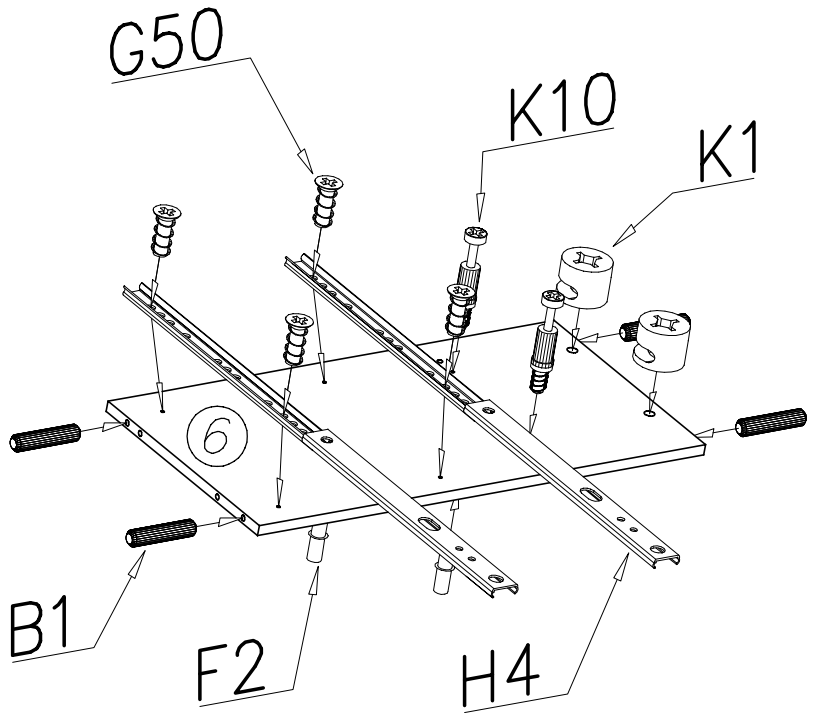
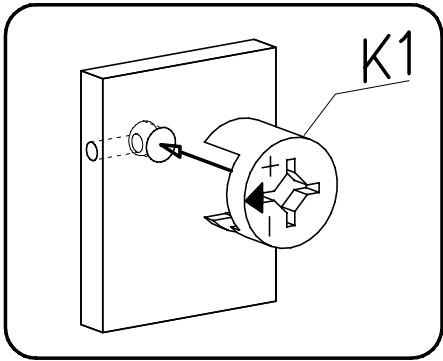
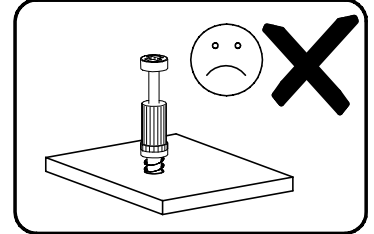
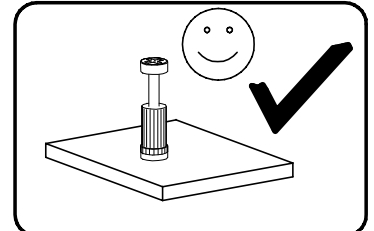
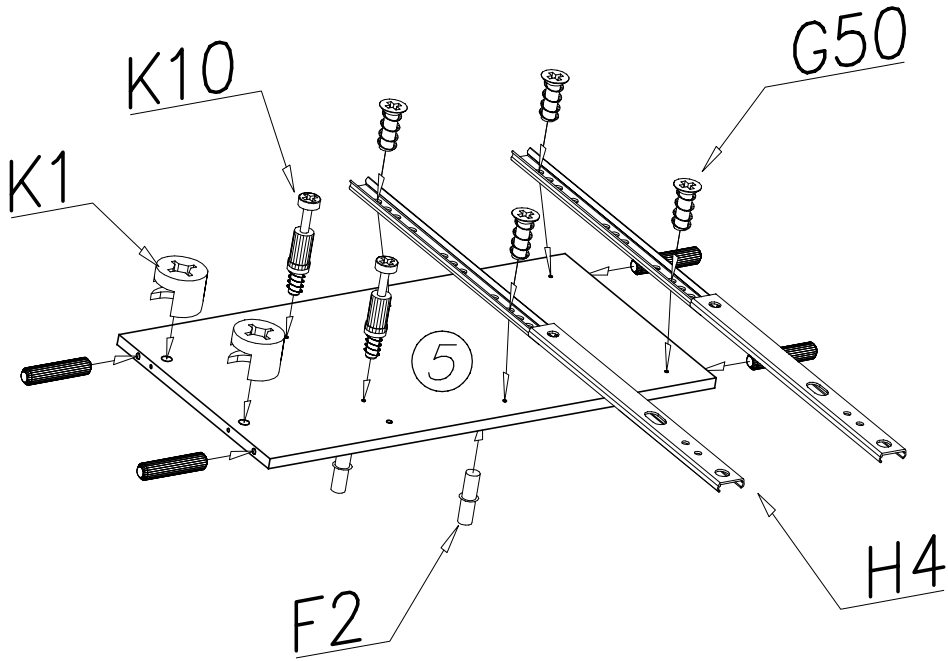


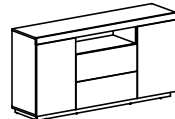
F15



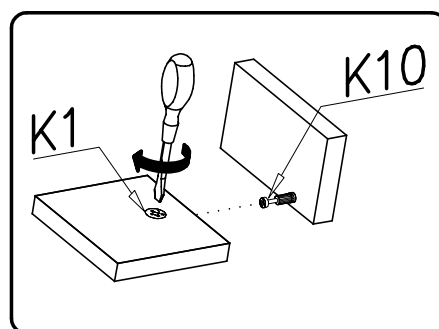
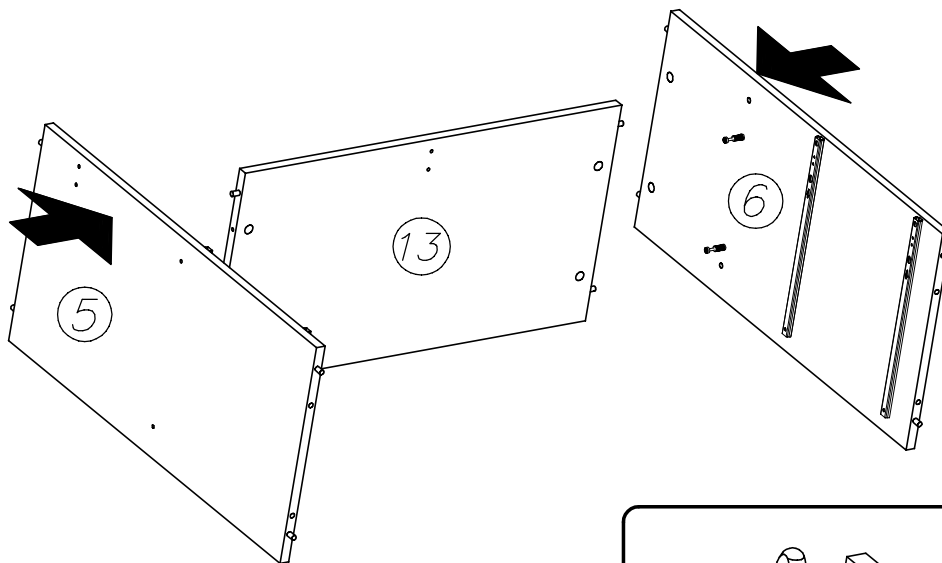


III

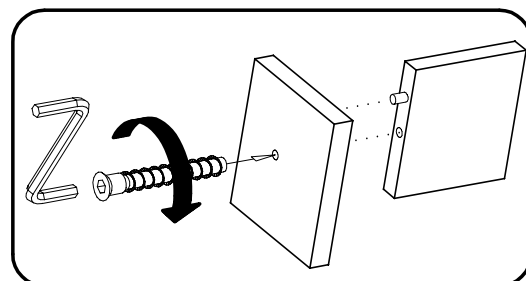
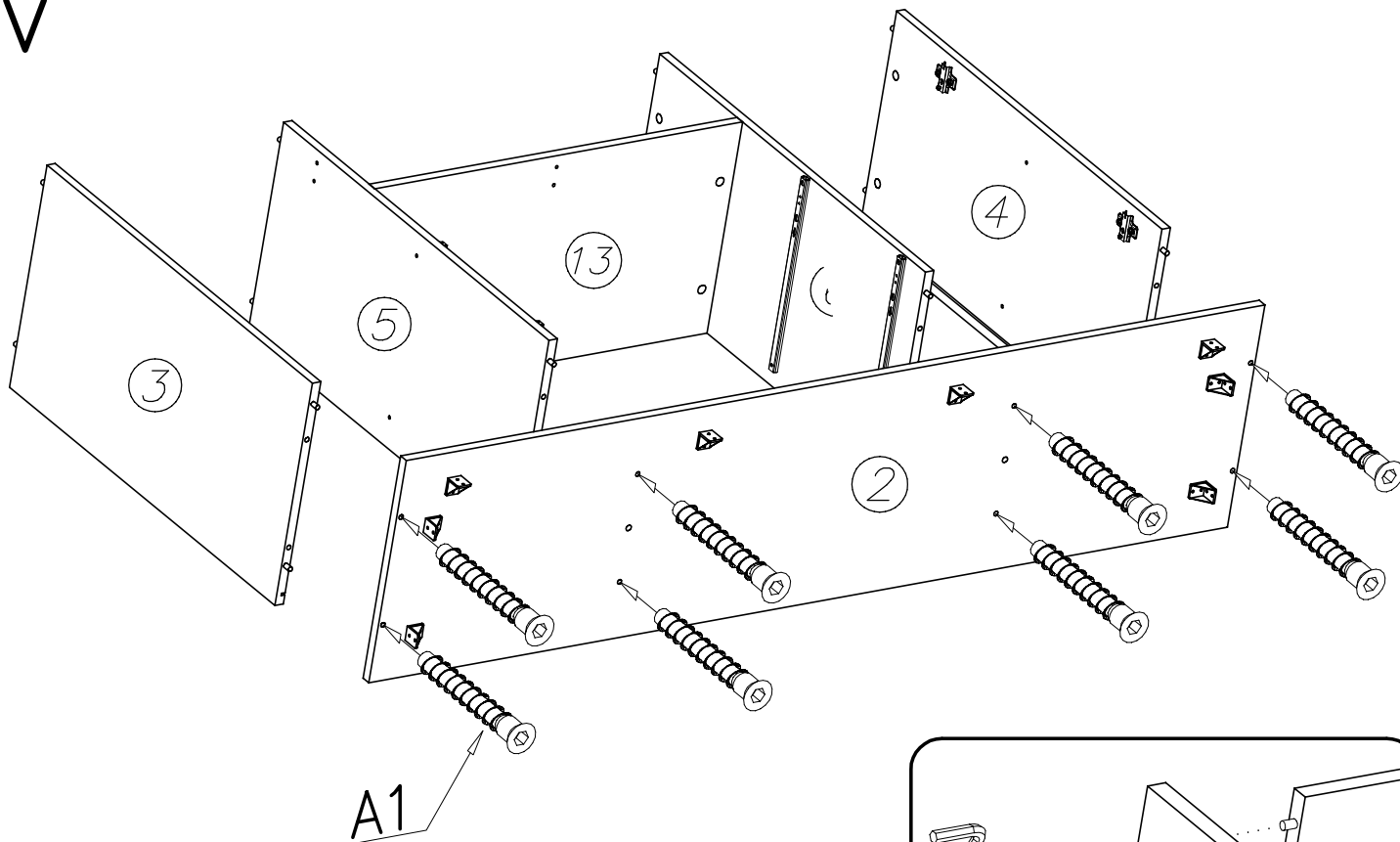


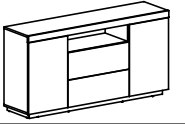


# IV

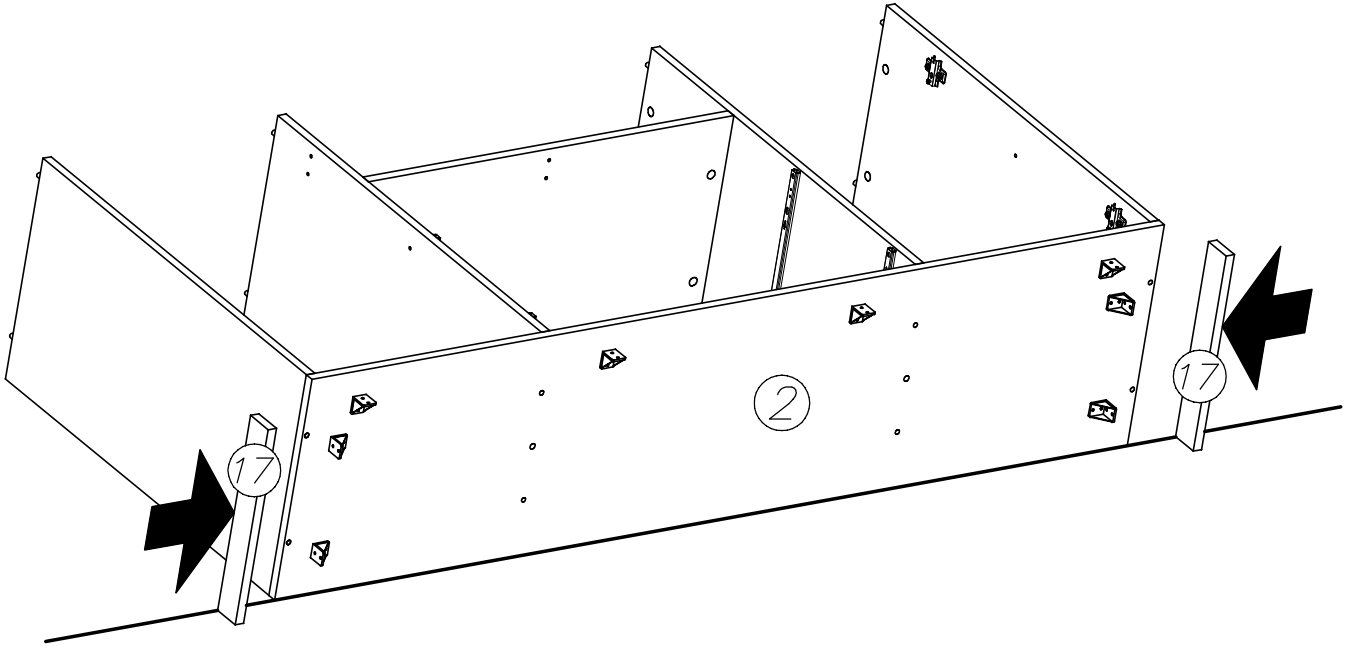


# V

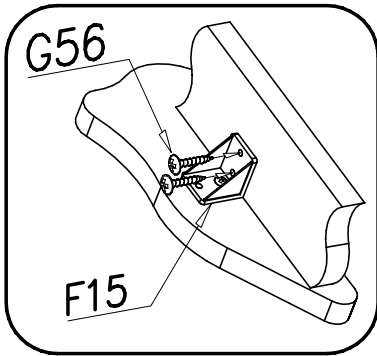




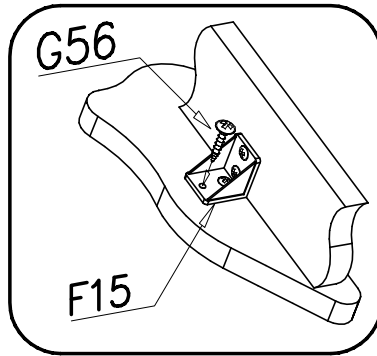
# VI



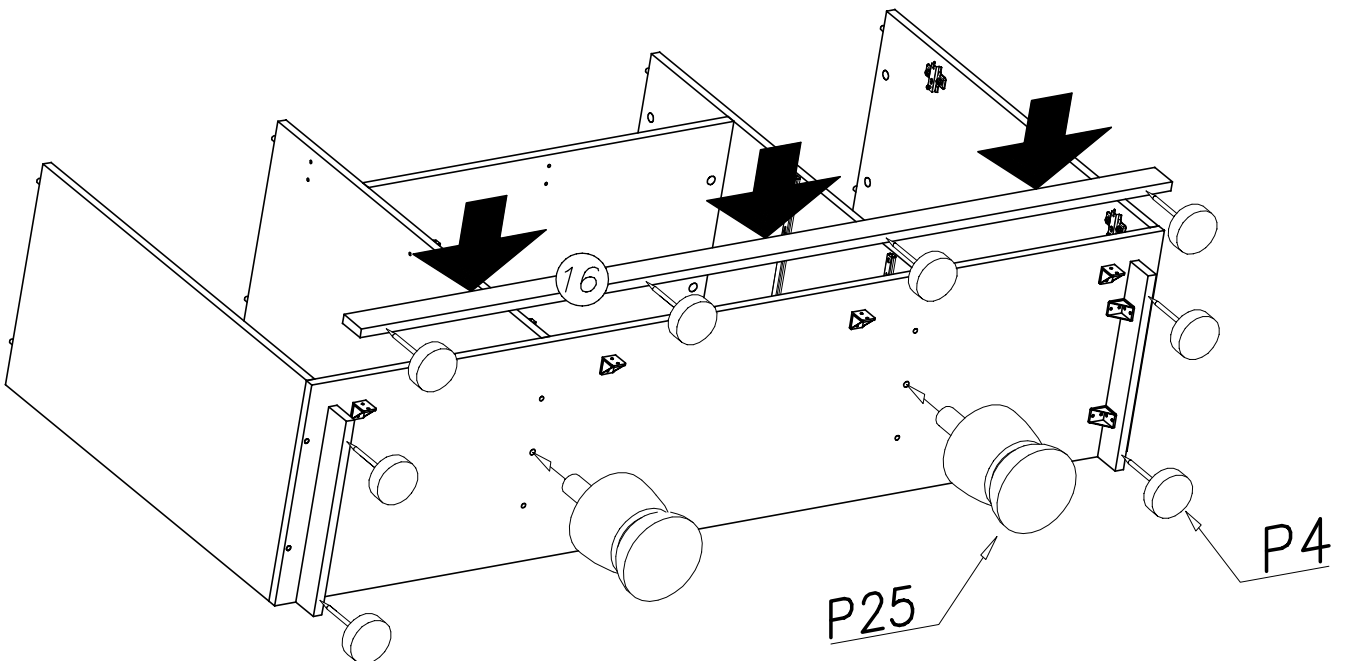
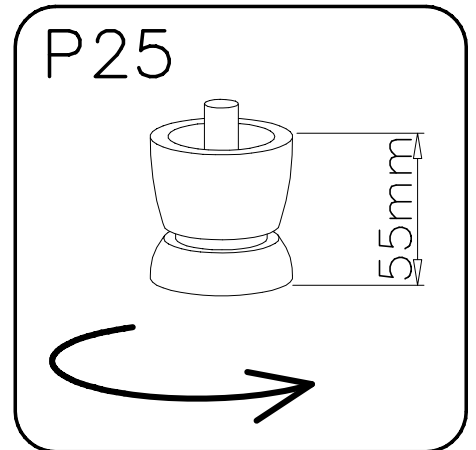
1.

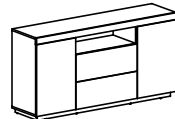


2.

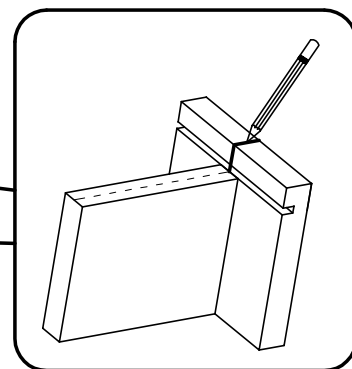
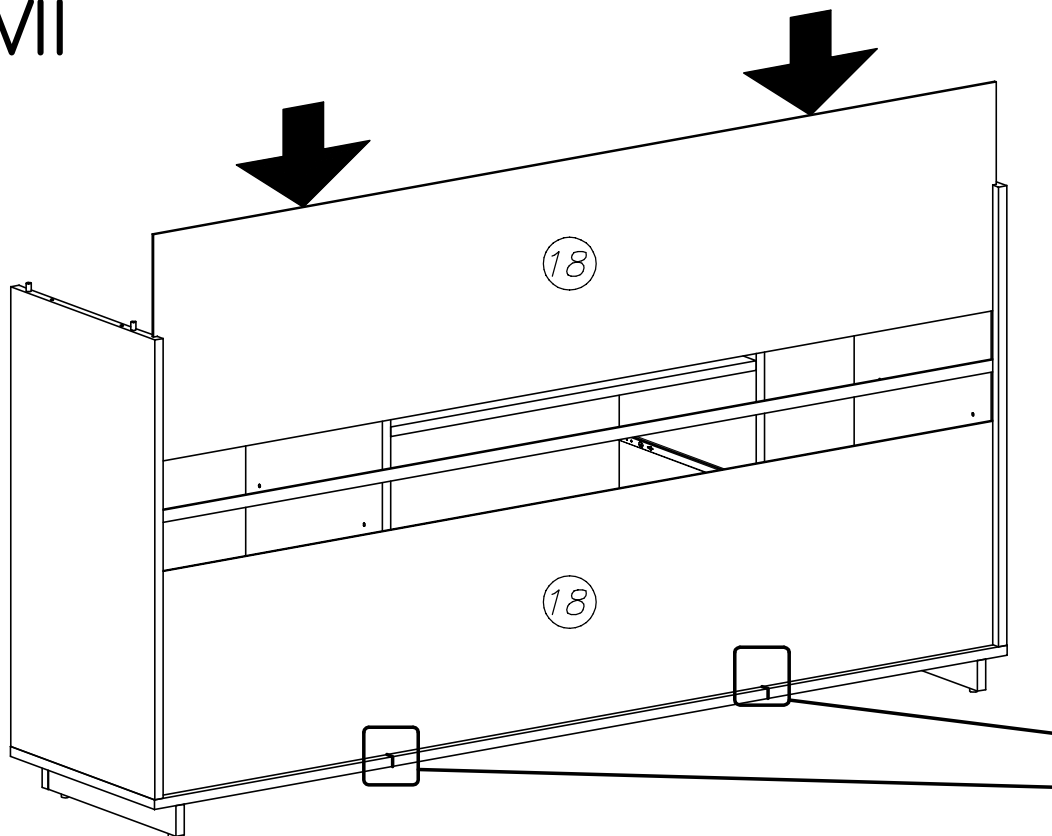


P25

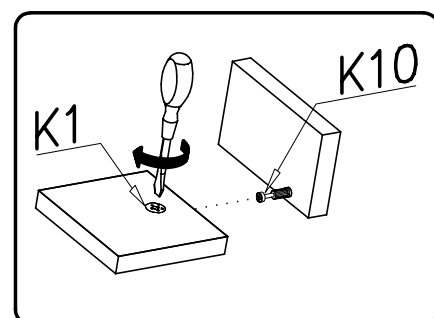
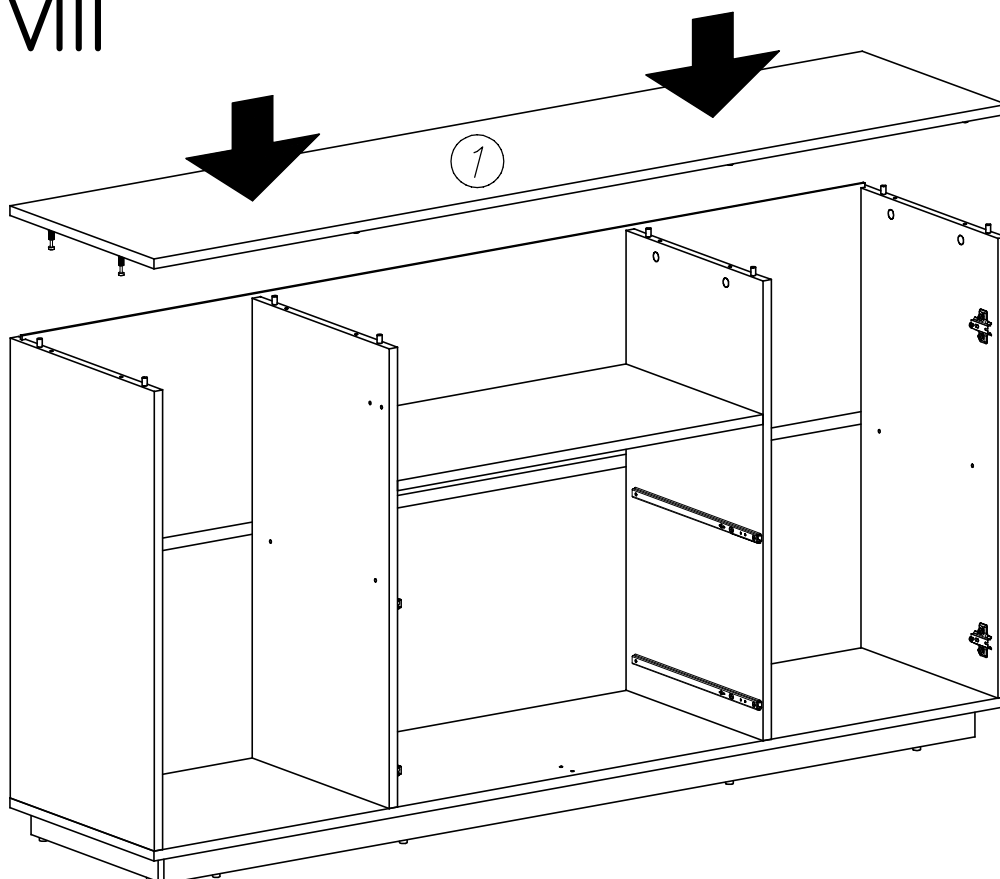


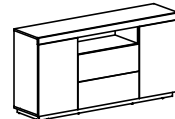


# VII

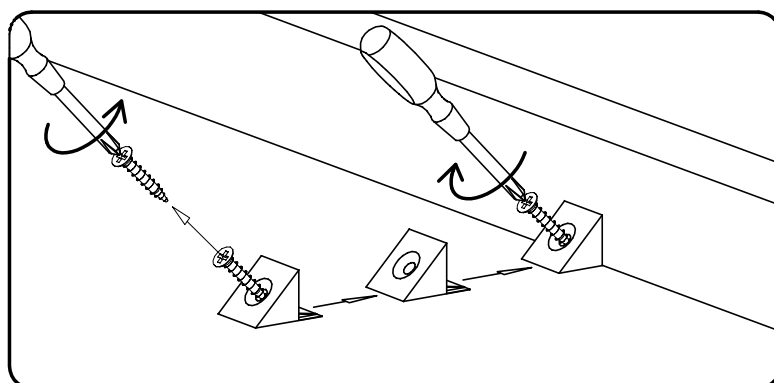
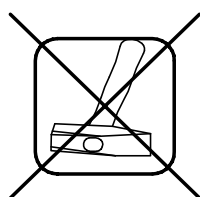
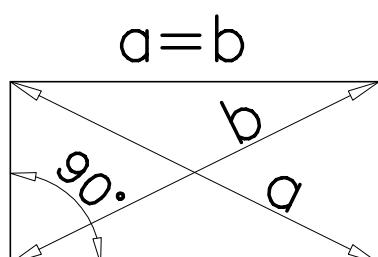
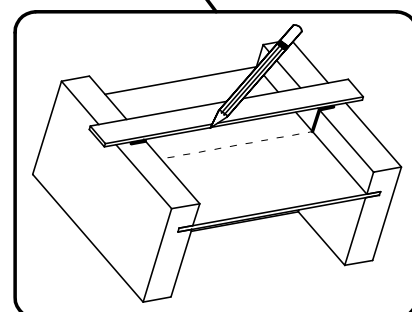
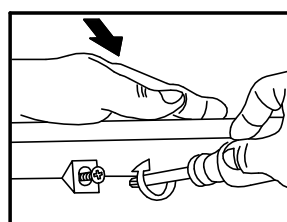
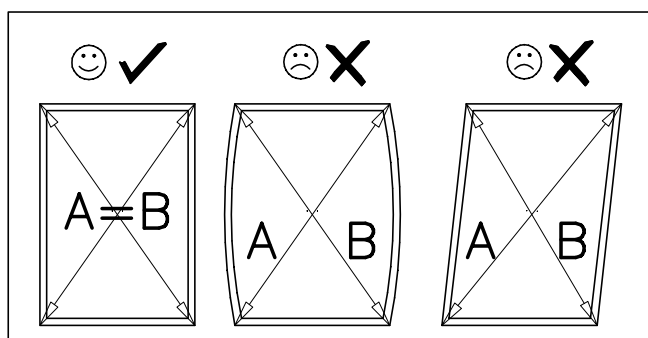
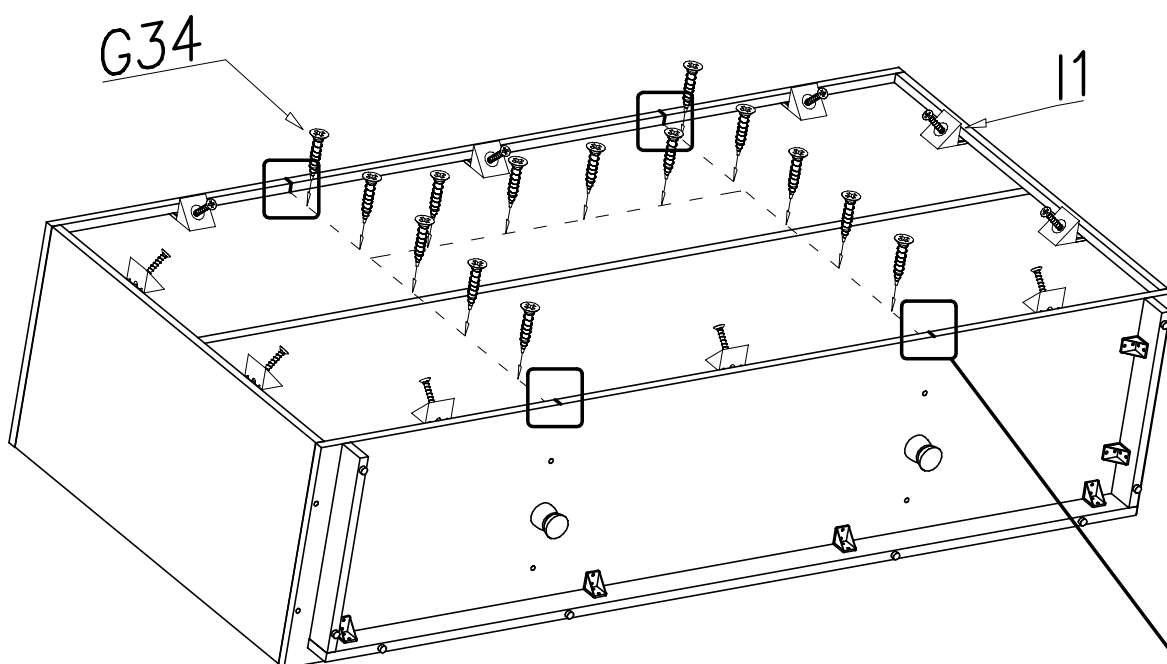
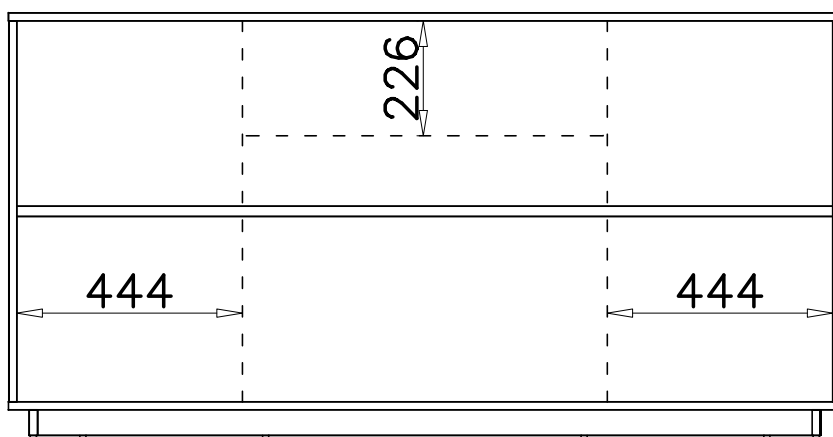


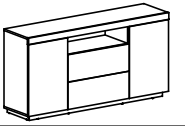
# VIII



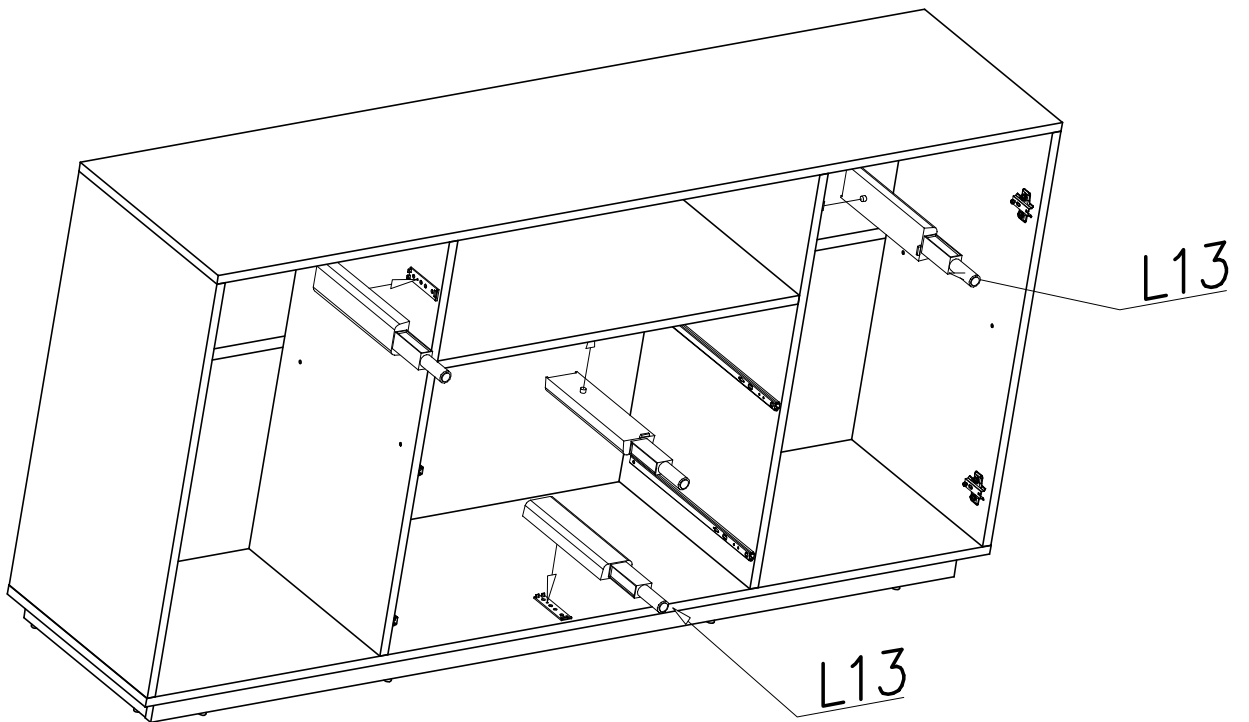
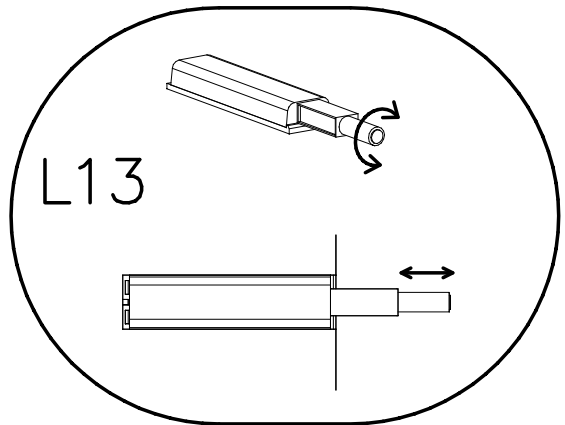
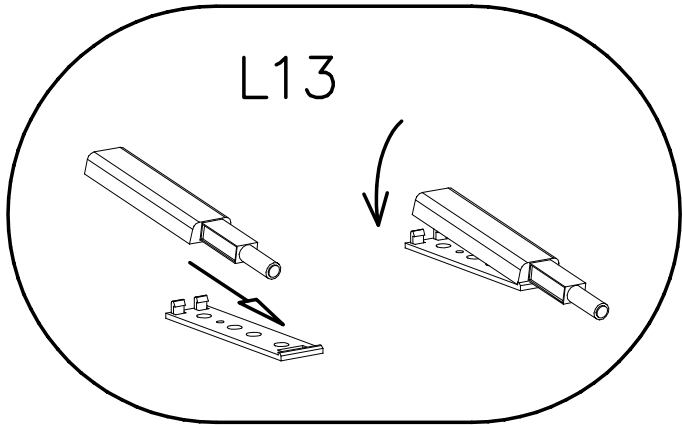
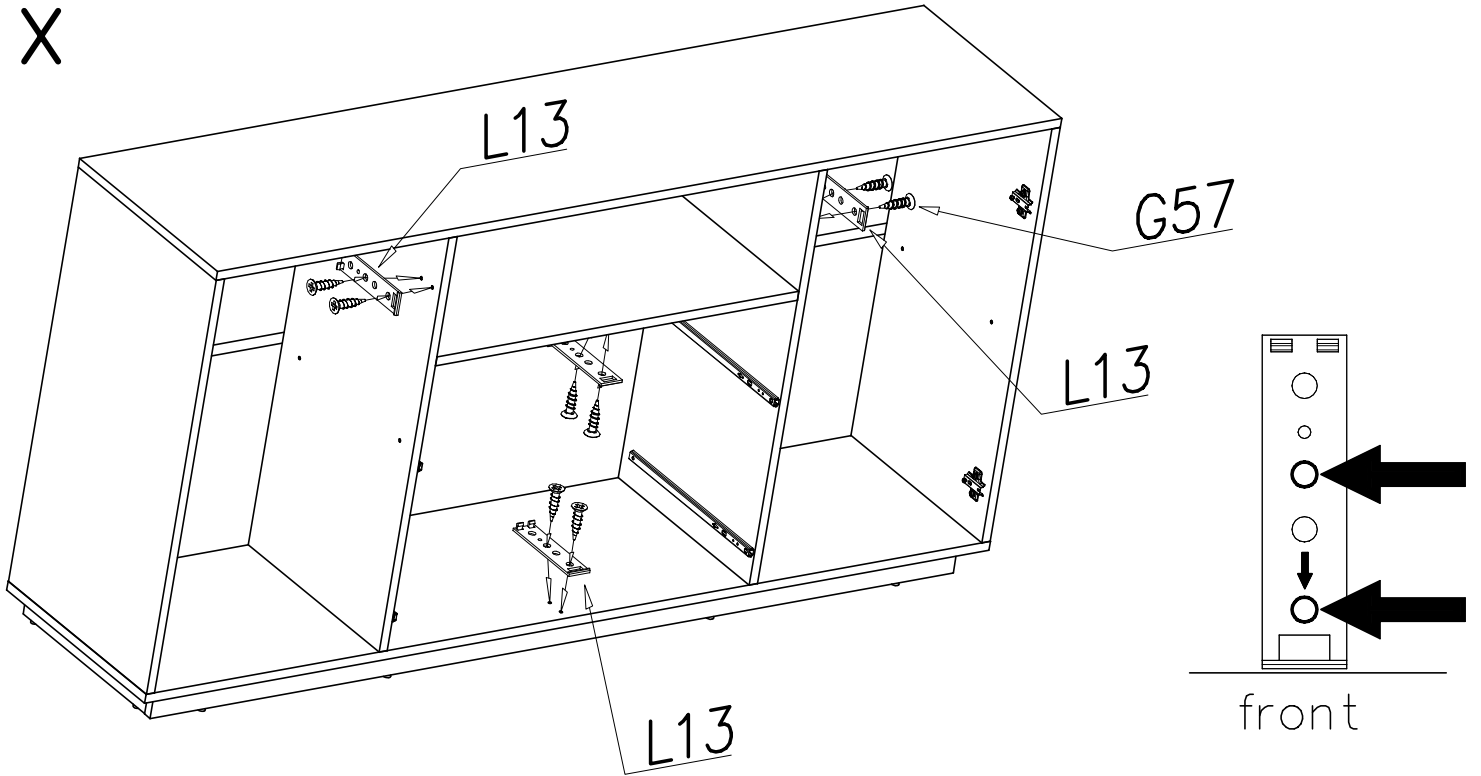


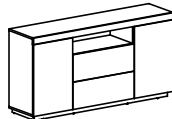
# IX



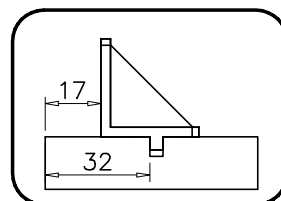
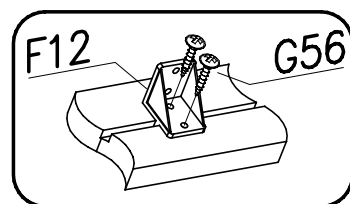
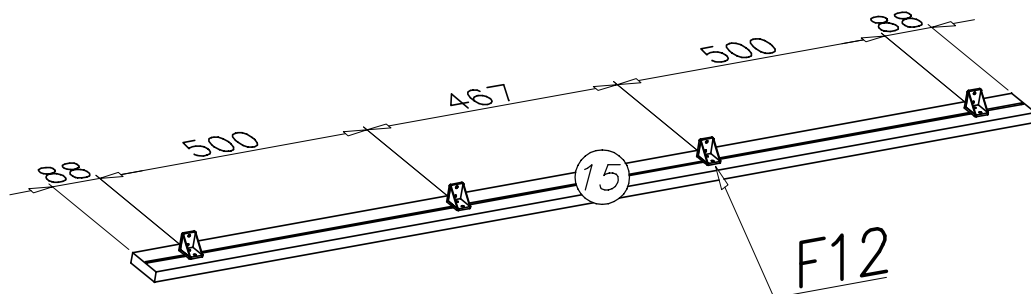


X

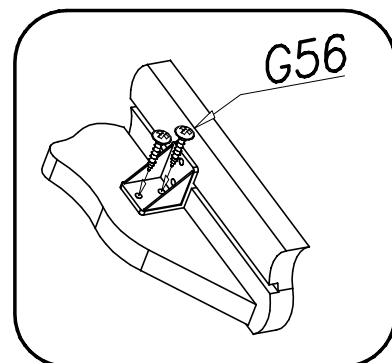
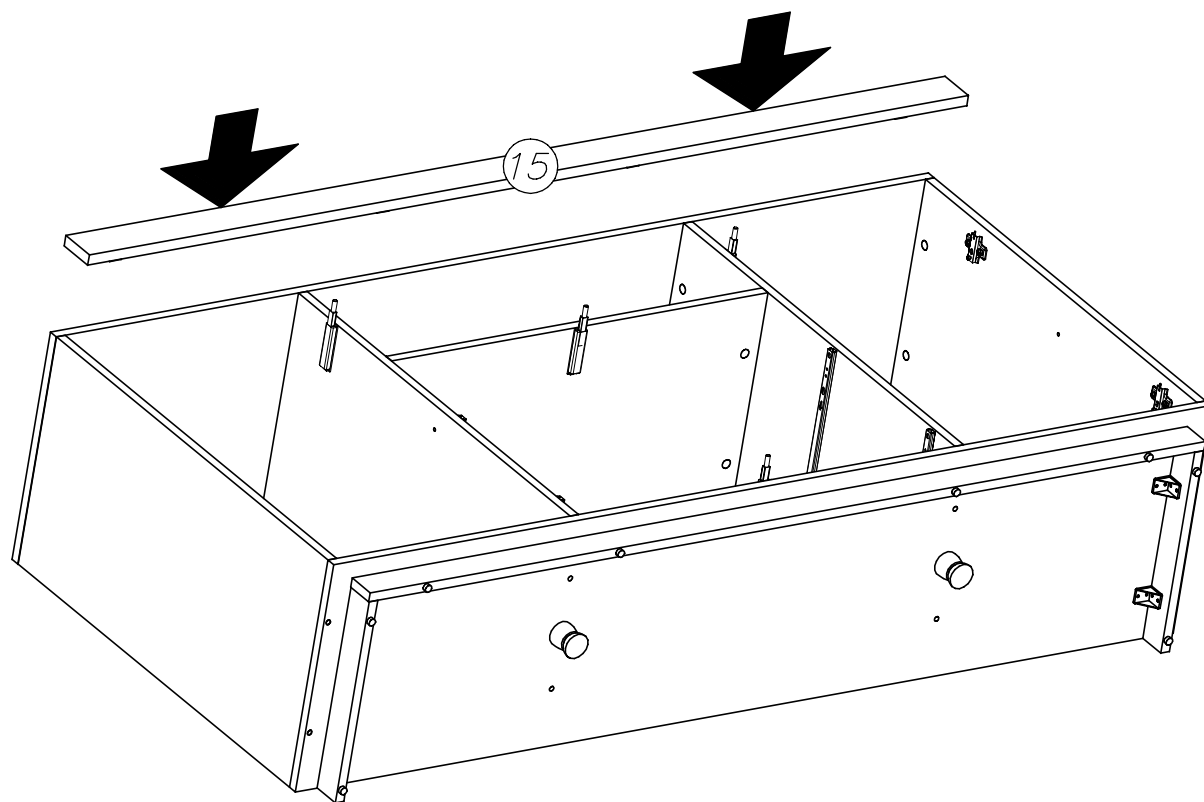


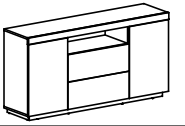


XI

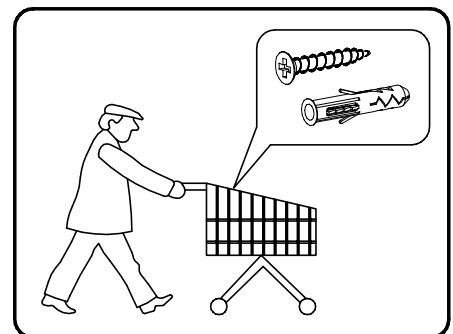
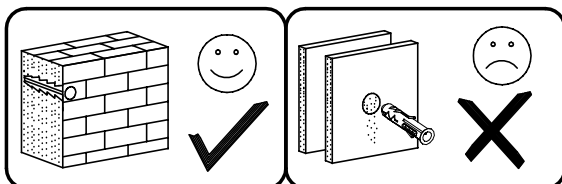
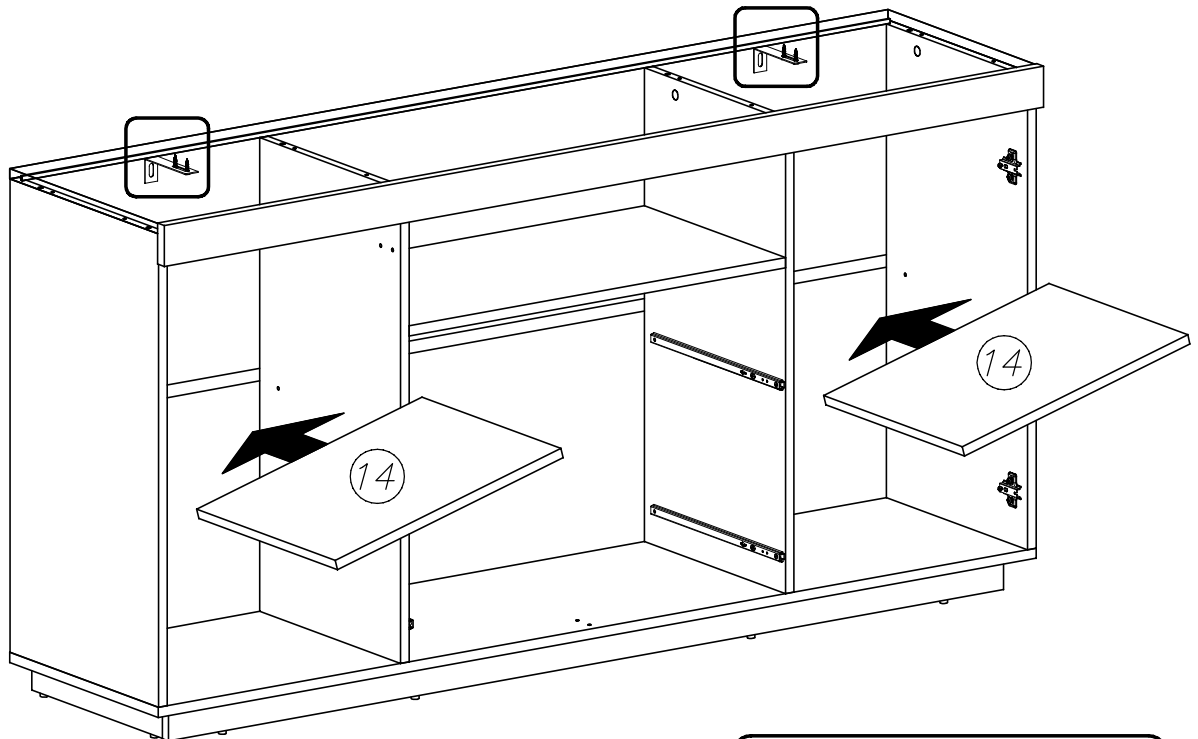
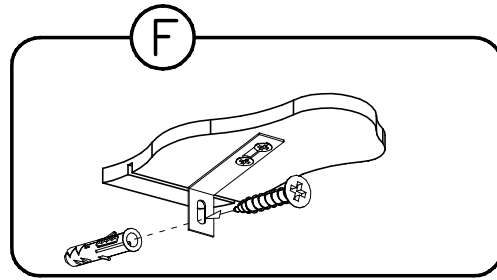
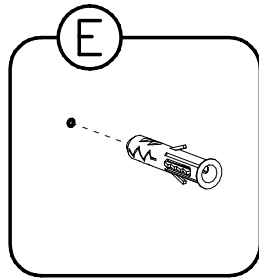
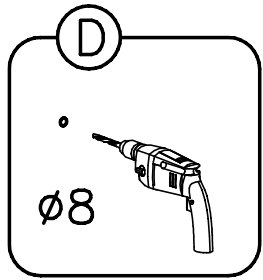
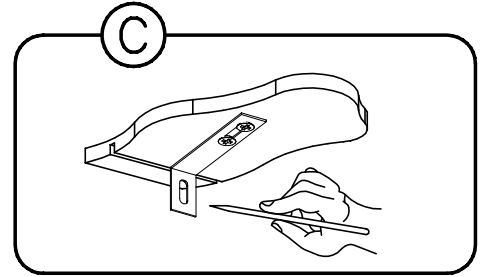
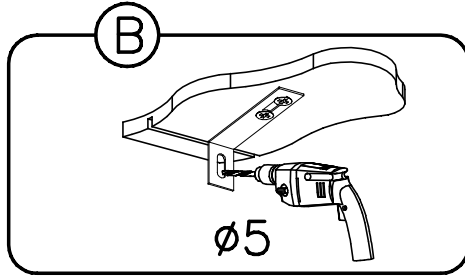
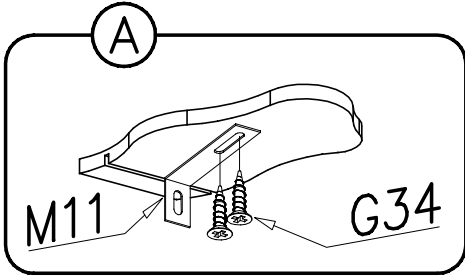


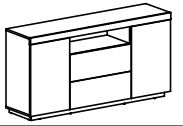
XII



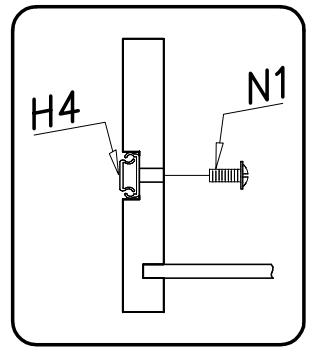
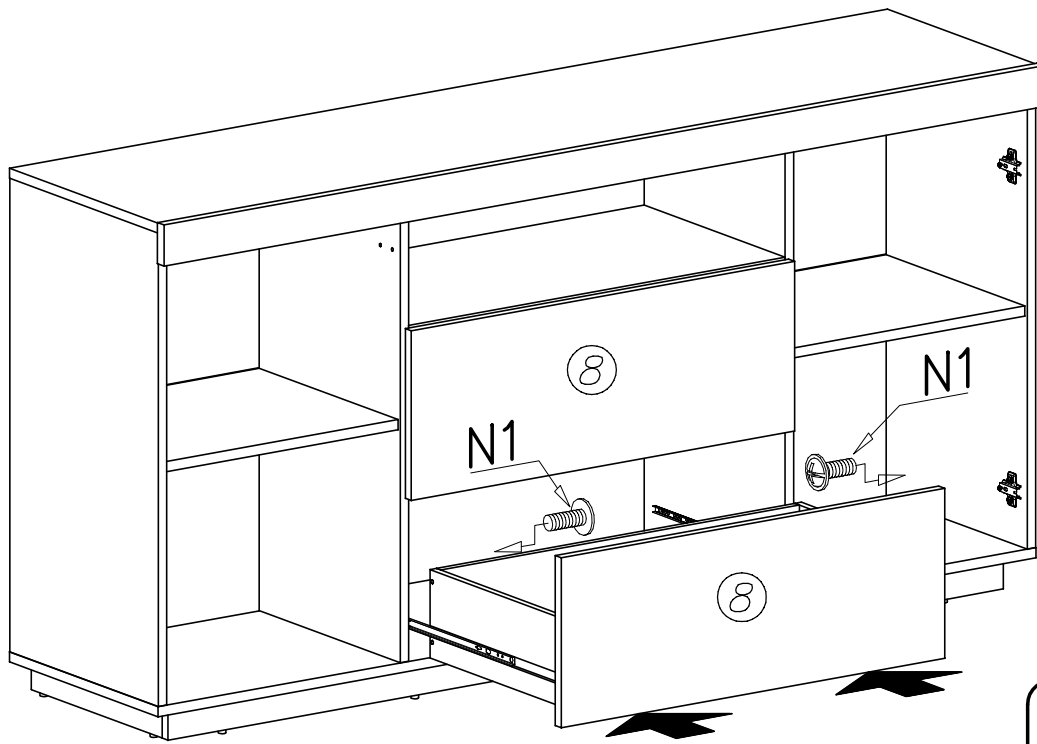


# XIII

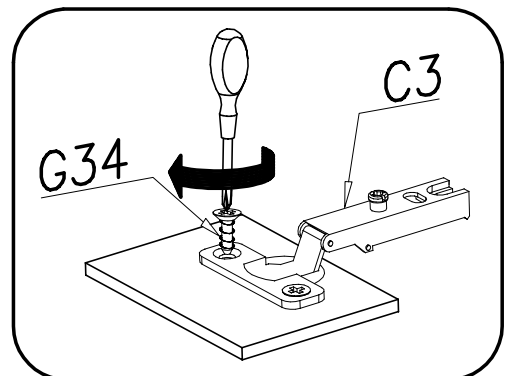
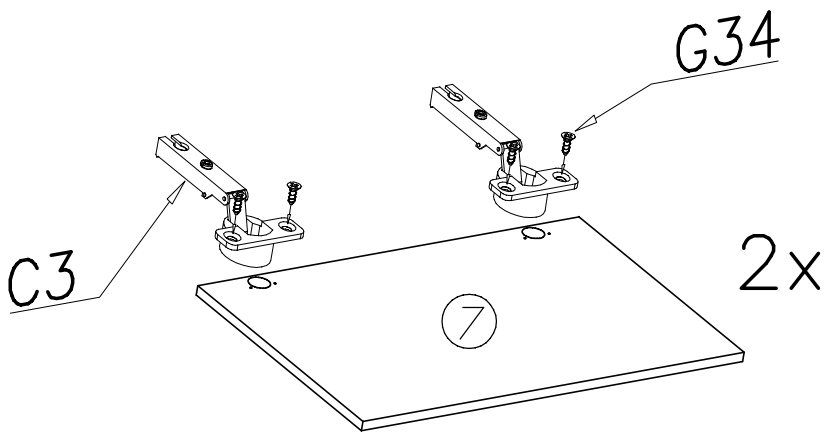


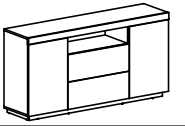


XIV



XV





# XVI

