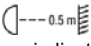


Safety instruction:


READ AND SAVE THESE INSTRUCTION


WARNING: TO REDUCE THE RISK OF FIRE, ELECTRIC SHOCK, OR INJURY TO PERSON, OBSERVE THE FOLLOWING


1. Proceed with caution. Read all instructions before beginning the installation.
2. WARNING! This fan may be operated only with a 2 pole switch with a 3mm contact opening each.
3. Only an authorized electrician should execute the installation.
4. The installation height, i.e. the distance between the blades and the floor, should be at least 2.3 m.
5. Make sure there are no obstacles in the rotation area.
6. Make sure the fan is securely fastened at the ceiling.
7. WARNING! Do not use a dimmer type switch to control the fan speed.
8. WARNING! To prevent injuries, make sure the blades are not bent and that there are no objects within the area of rotation.
9. WARNING! Due to European safety regulations, if the flush mount option is elected, the fan must not be re installed utilizing the downrod. If attempted, this may cause a serious injury. Please consult with local regulations should you have any questions about this important safety requirement.
10. Keep electrical appliances out of reach of children or infirm persons. Do not let them use the appliances without supervision. these conditions of use by a competent person.
11. Suitable for use indoors.
12. Before disassembling light kit, make sure the power supply is disconnected from the main supply. Power supply can be on only after installation is completed."
13. The lampshade should not be removed from the light bulb when the power supply is on.
14. Replacement of light bulb is only possible when the light kit has cooled down, and the power supply is disconnected from the main supply.
15. Make sure the lampshade is in the fixed position when operating the product.
16.  Always maintain the distance between the lamp and inflammable materials (curtains, wall, etc.), as indicated on the pictogram.
17. IP20 The fan is designed for indoor use. It is not designed for installation in a bathroom or any damp area. Please ensure that the lamp does not come into contact with water."
18. **T**his appliance can be used by children aged from 8 years and above and persons with reduced physical, sensory or mental capabilities or lack of experience and knowledge if they have been given supervision or instruction concerning use of the appliance in a safe way and understand the hazards involved. Children shall not play with the appliance. Cleaning and user maintenance shall not be made by children without supervision. Children should be supervised to ensure that they do not play with the appliance.

Symbol descriptions:

Please find all valid symbols for this lamp on the product label as well as on the packaging

Protection class I . This fan must be connected with its protective conductor (green yellow wire) to the protective earth terminal.

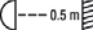
Protection class II . This fan is double isolated and must not be connected to a protective earth terminal

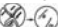
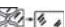
 AC alternating current voltage


Hz frequency (Hertz)


V voltage in Volt

W power in Watt

 Minimum distance from the lamp to any lighted object in m. Please find the exact distance in rating label on lamp.

 /  Don't use the lamp without the glass and if it's broken it must be replaced!

 Luminaire designed for use with self shield tungsten halogen lamps only.

 Indoor use only.

IP Degree of protection against external influences. Find the corresponding degree of protection on rating label

Operation

Turn on the power and check operation of fan. The pull chain controls the fan speeds as follows:

1 pull high; 2 pulls medium; 3 pulls low; 4 pulls off. Speed settings for warm or cool weather depend on factors such as room size, ceiling height, number of fans and so on. The slide switch controls direction, forward or reverse

Warm weather/down position (Forward) Fan turns counterclockwise direction. A downward air flow creates a cooling effect as shown in illustration A.

This allows you to set your air conditioner on a higher temperature setting without affecting your comfort.

Cool weather/up position (Reverse) Fan turns clockwise direction. An upward airflow moves warm air off the ceiling area as shown in illustration B.

This allows you to set your heating unit on a lower setting without affecting your comfort.

(Please however refer to point 10 in Safety Tips when operating in this position.)

NOTE: Turn off and wait for fan to stop before changing the setting of the forward/reverse slide switch.

Maintenance

1. Because of the fan's natural movement, some connections may become loose. Check the support connections, brackets, and blade attachments twice a year. Make sure they are secure.
2. Clean your fan periodically to help maintain its new appearance over the years. Do not use water when cleaning. This could damage the motor, or the wood, or possibly cause electrical shock.
3. Use only a soft brush or lint free cloth to avoid scratching the finish. The plating is sealed with a lacquer coating to minimize discoloration or tarnishing.
4. There is no need to oil your fan. The motor has permanently lubricated bearings.

TROUBLESHOOTING GUIDE

If you have difficulty operating your new ceiling fan, it may be the result of incorrect assembly, installation, or wiring. In some cases, these installation errors may be mistaken for defects. If you experience any faults, please check this Trouble Shooting Chart. If a problem cannot be remedied, please consult with your authorized electrician and do not attempt any electrical repairs yourself.

TROUBLE

1. If fan does not start:

SUGGESTED REMEDY

1. Check main and branch circuit fuses or circuit breakers.
2. Check terminal block connections as performed in step #4 of installation.

CAUTION: Make sure main power is turned off.

3. Make sure forward/reverse switch is firmly in up or down position. Fan will not operate when switch is in the middle.
4. If the fan still will not start, contact a qualified electrician. Do not attempt to troubleshoot internal electrical connections yourself.

2. If fan sounds noisy:
1. Check to make sure all screws in motor housing are snug (not over tightened).
 2. Check to make sure the screws which attach the fan blade holder to the motor are tight.
 3. Some fan motors are sensitive to signals from Solid State variable speed controls. DO NOT USE a Solid State variable speed control.
 4. Allow "break in" period of 24 hours. Most noises associated with a new fan will disappear after this period.
3. If fan wobbles:
- All blades are weighed and grouped by weight. Natural woods vary in density which could cause the fan to wobble even though all blades are weight matched. The following procedures should eliminate most of the wobble. Check for wobble after each step.
1. Check that all blades are screwed firmly into blade holders.
 2. Check that all blade holders are tightened securely to motor.
 3. Make sure that canopy and mounting bracket are tightened securely to ceiling joist.
 4. If blade wobble is still noticeable, interchanging two adjacent (side by side) blades can redistribute the weight and possibly result in smoother operation.
4. If light does not work:
1. Check to see that molex connector in the switch housing is connected
 2. Check for faulty light bulbs.
 3. If light kit will still not operate, contact a qualified electrician for assistance.

Meaning of crossed-out wheeled dustbin:

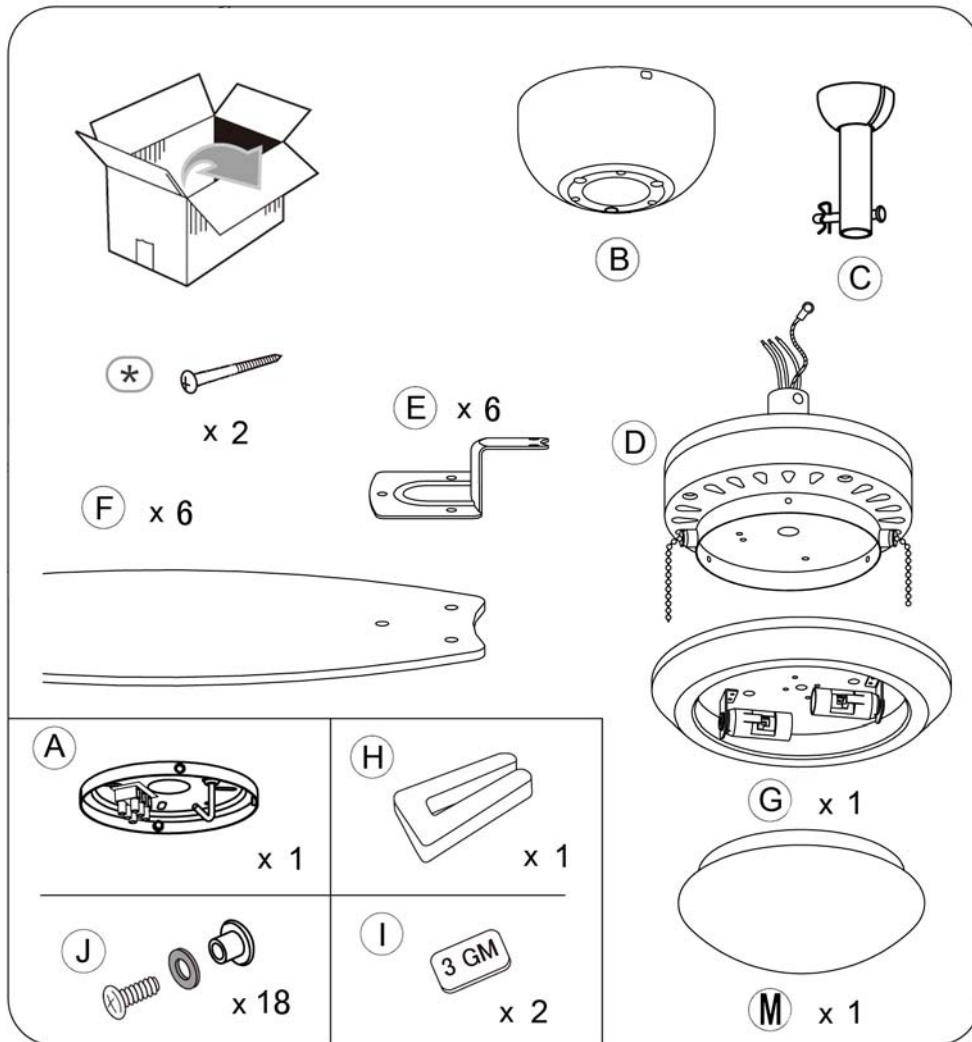
Do not dispose of electrical appliances as unsorted municipal waste, use separate collection facilities.

Contact you local government for information regarding the collection systems available.

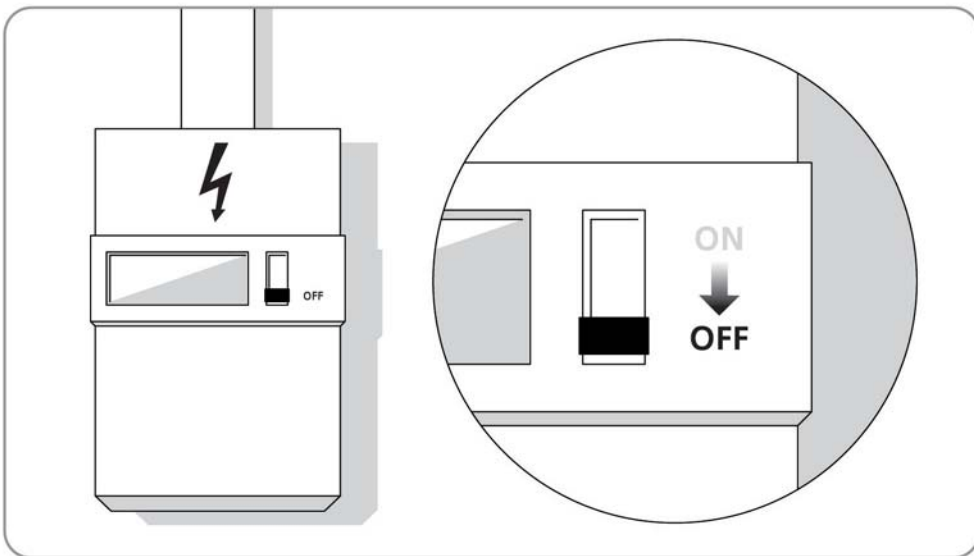
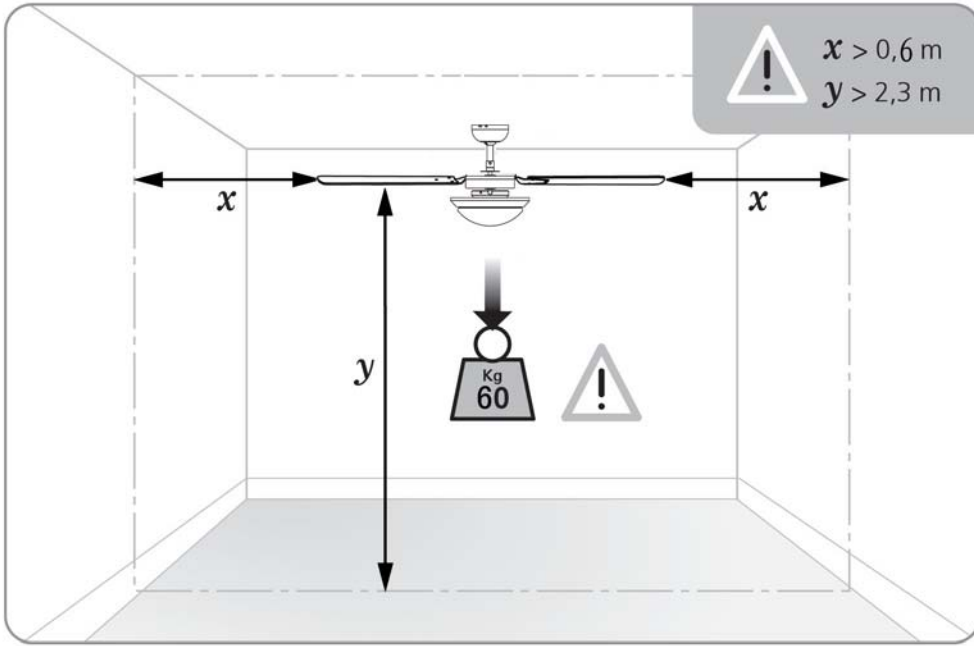
If electrical appliances are disposed of in landfills or dumps, hazardous substances can leak into the groundwater and get into the food chain, damaging your health and well being.

When replacing old appliances with new ones, the retailer is legally obligated to take back your old appliance for disposal at least free of charge.

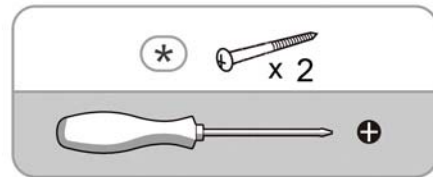
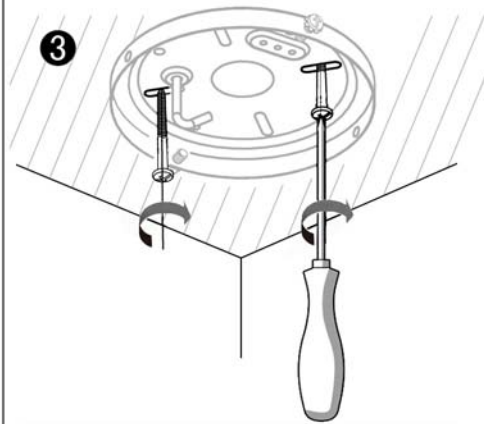
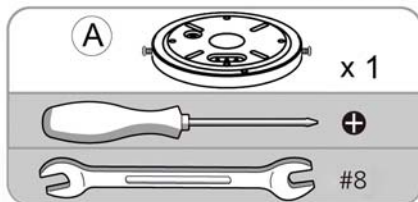
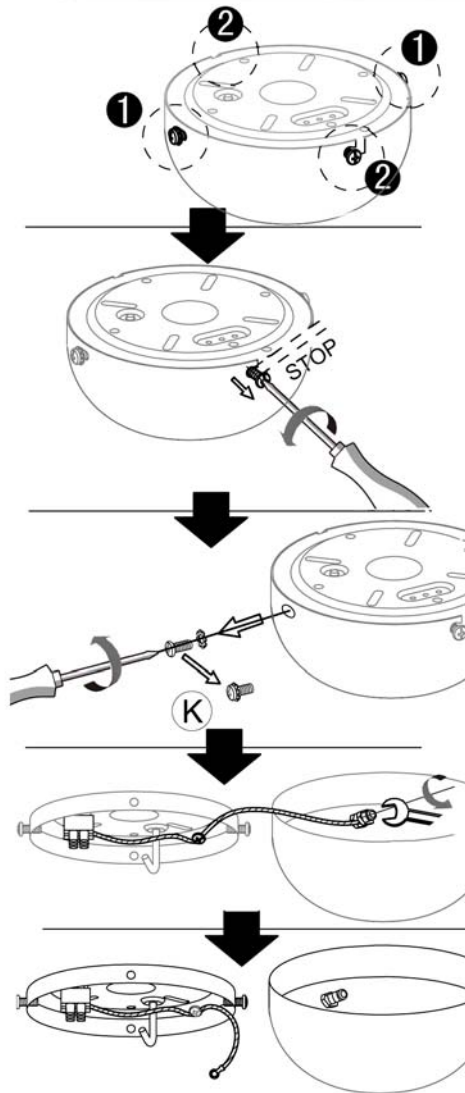




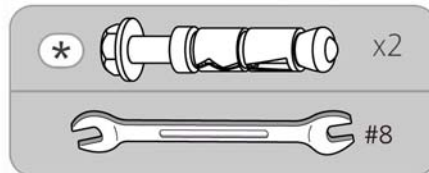
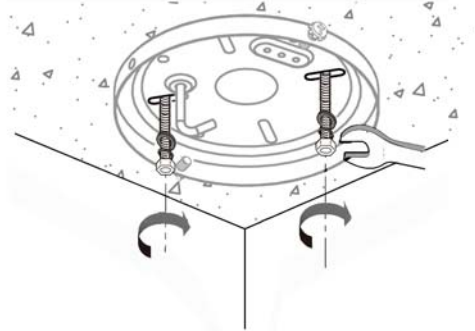
#8
 MAX=8.8 cm
 E 14
 2h
 Person icon

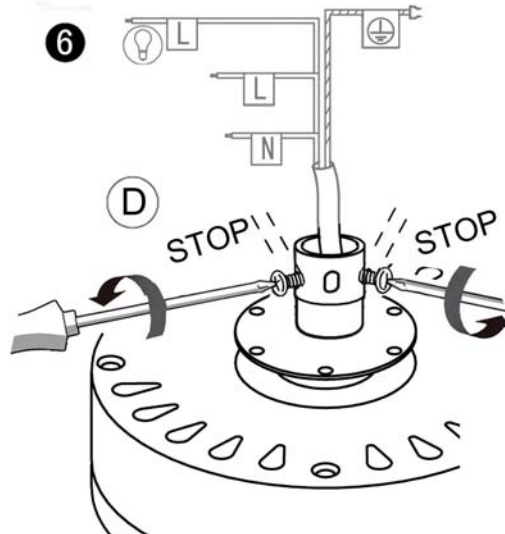
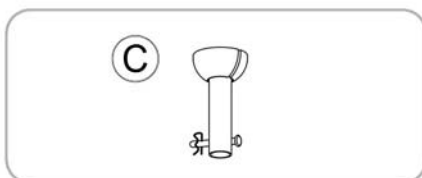
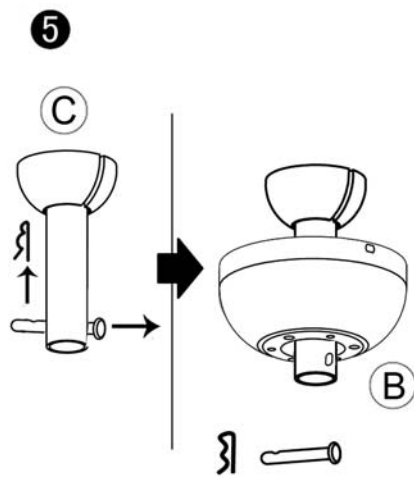
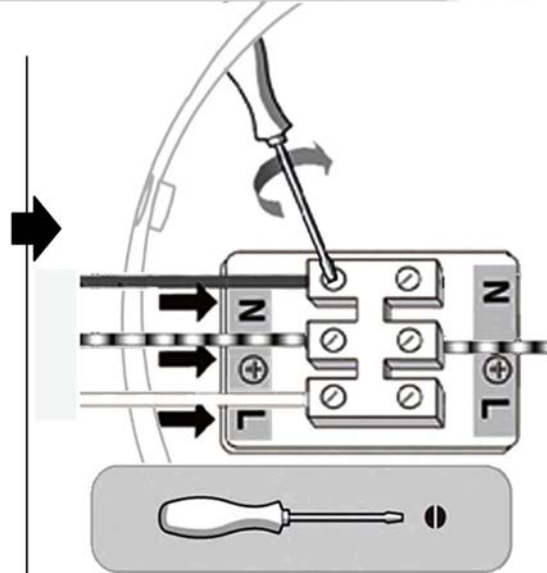
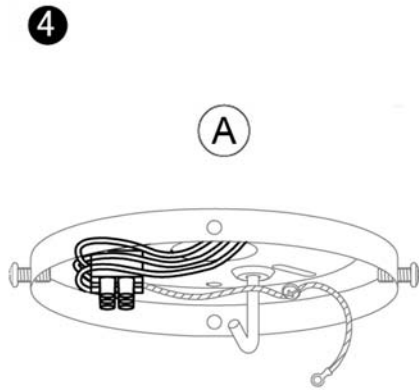


1

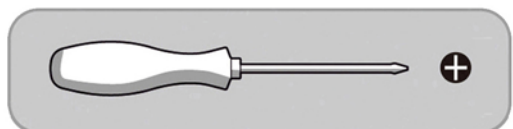
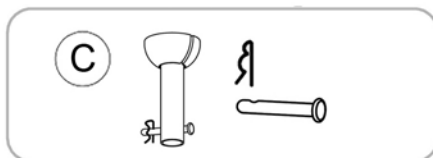
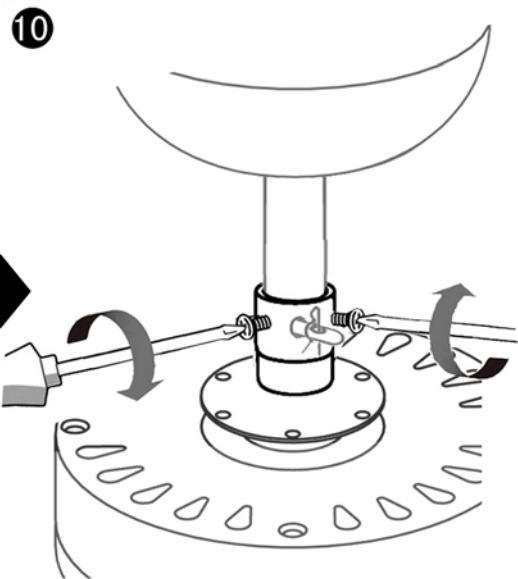
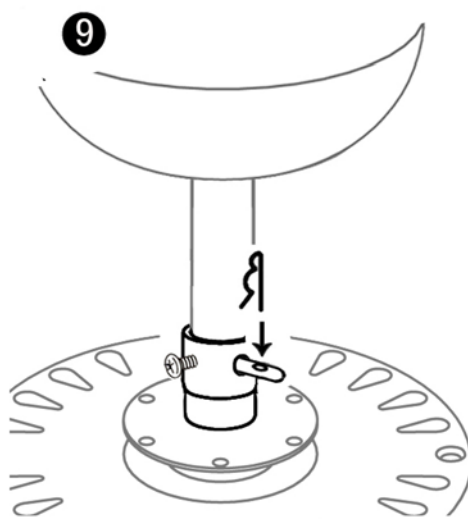
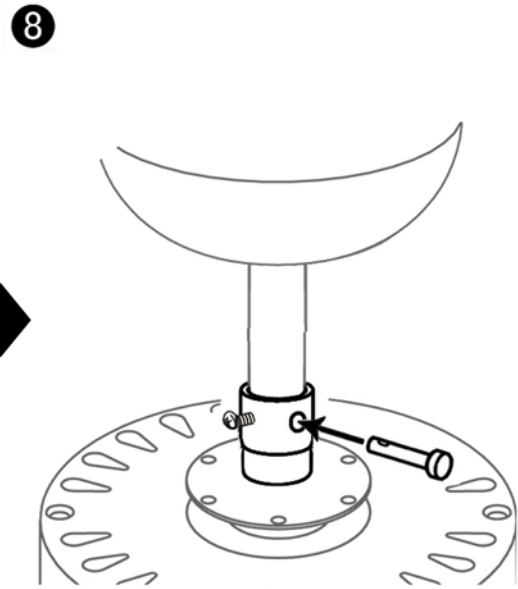
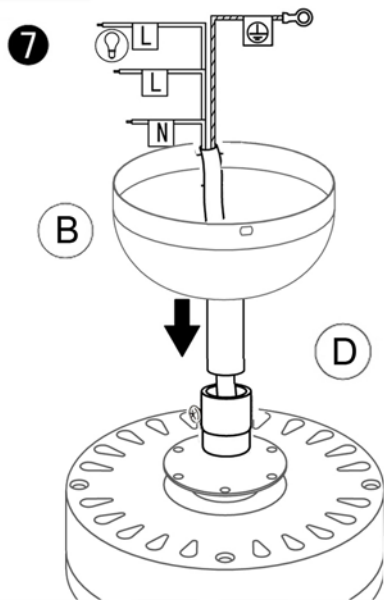


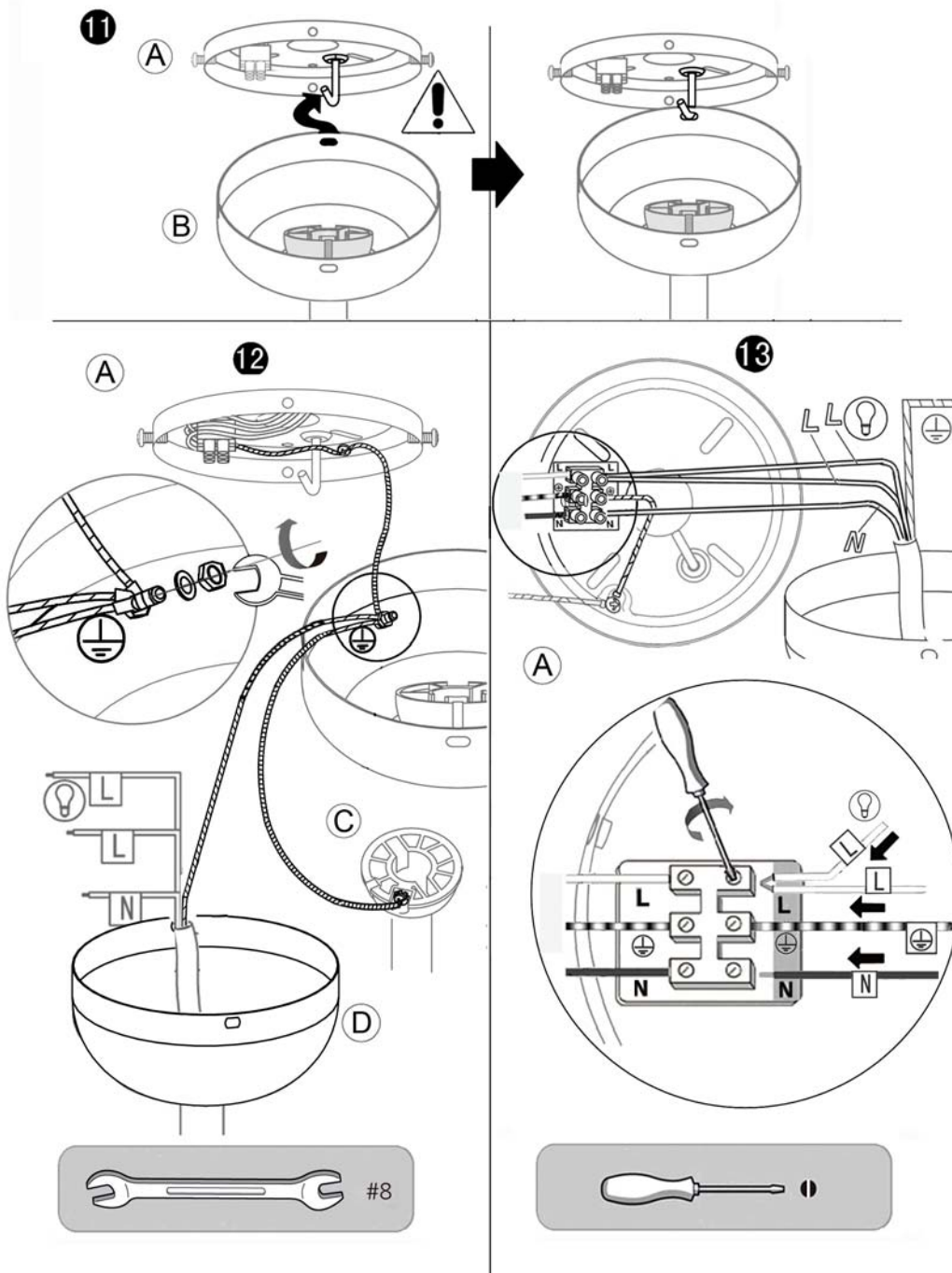
OR





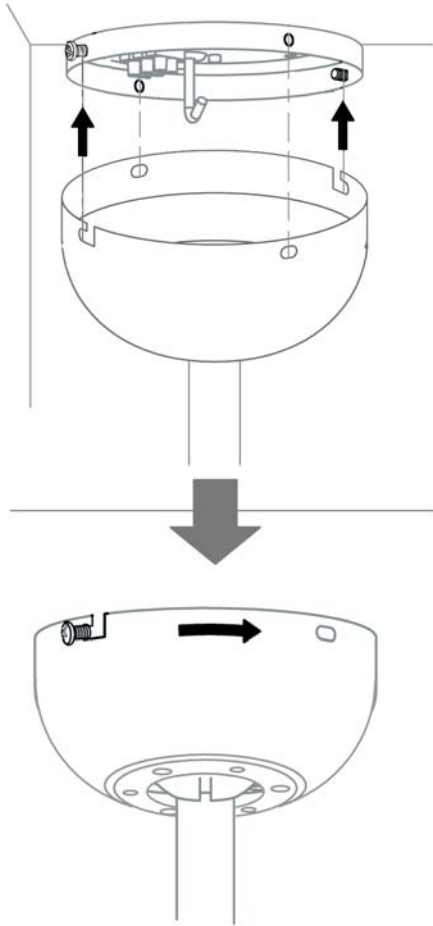
3



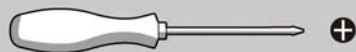
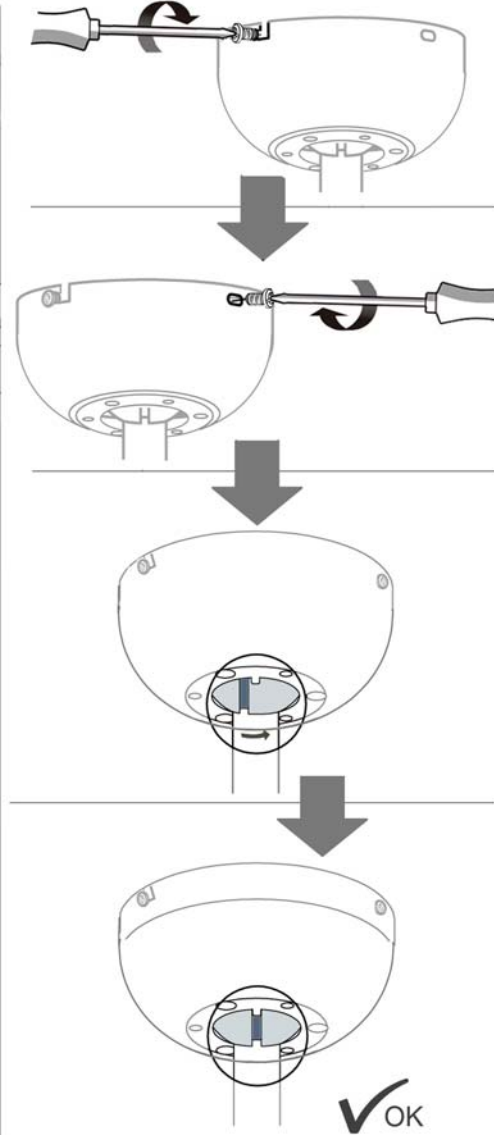


5

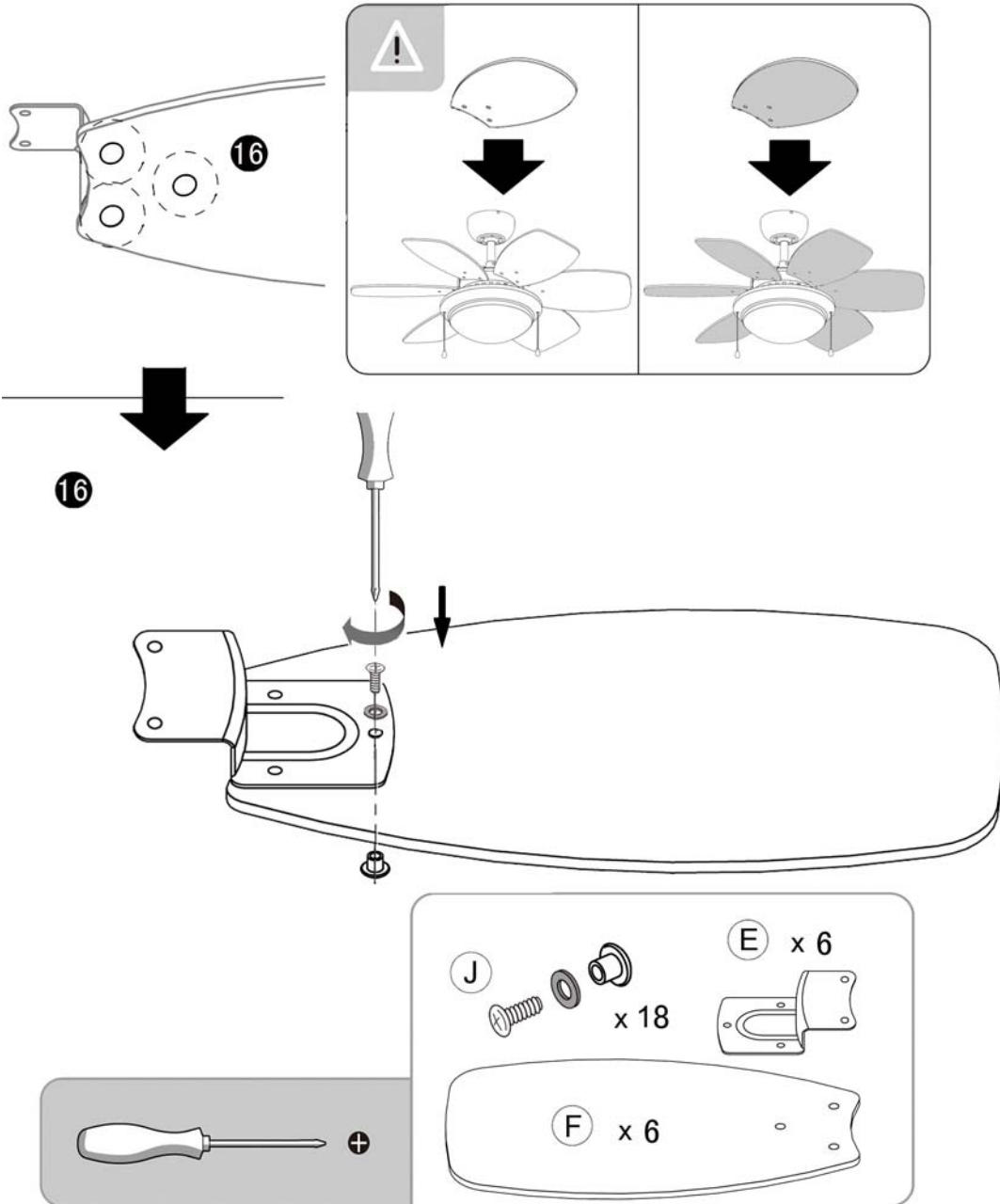
14



15



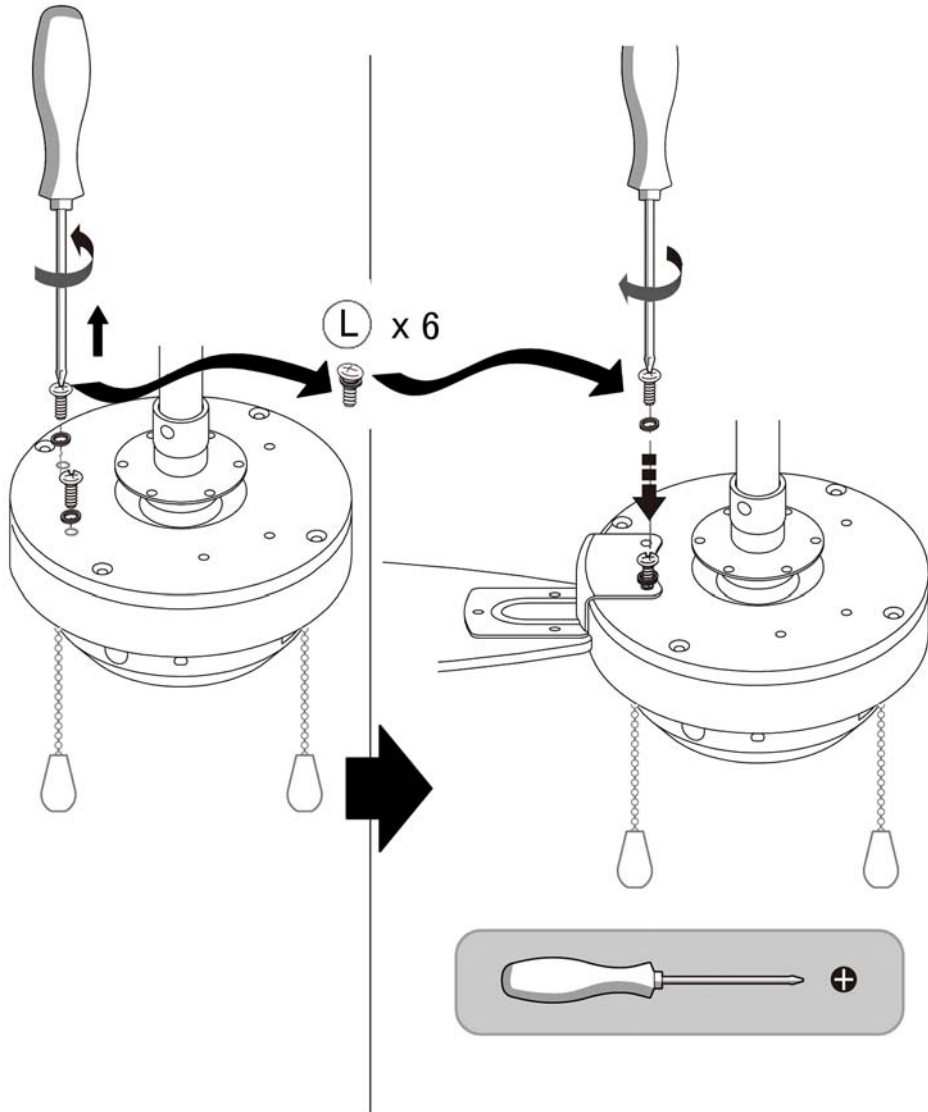
(K)  x2

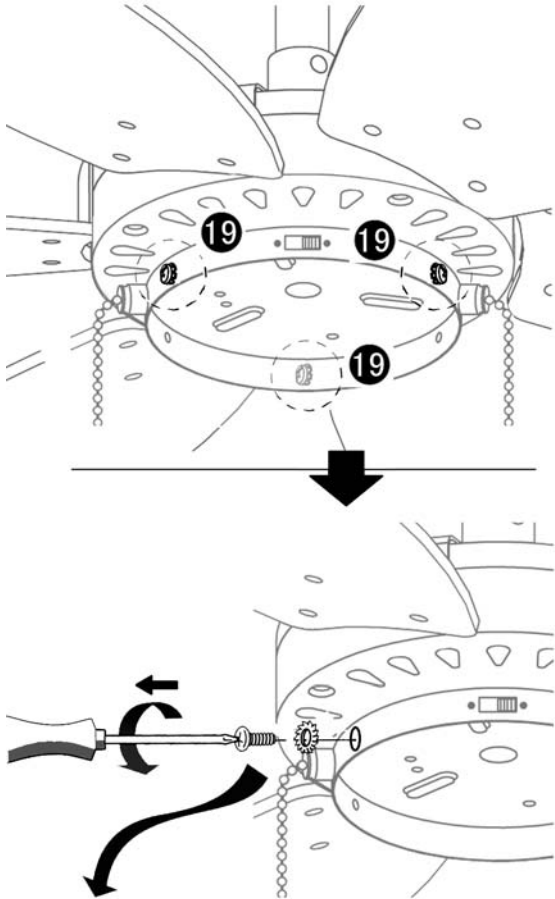


7

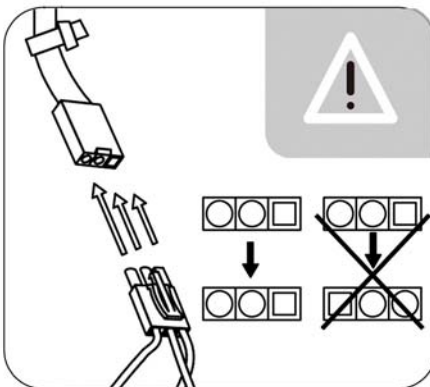
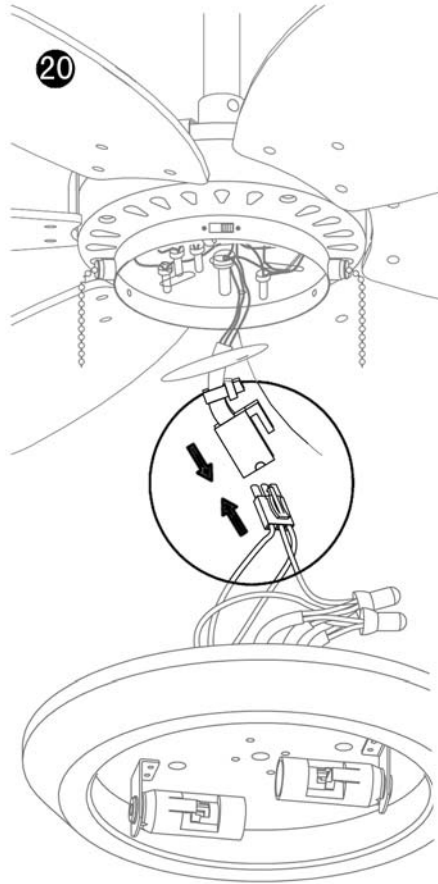
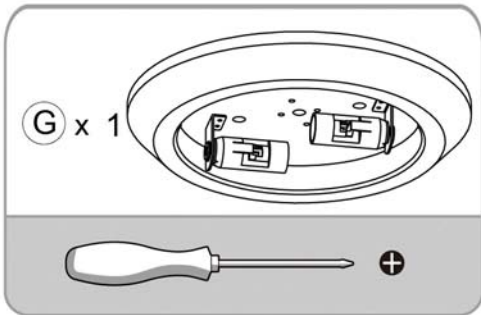
17

18

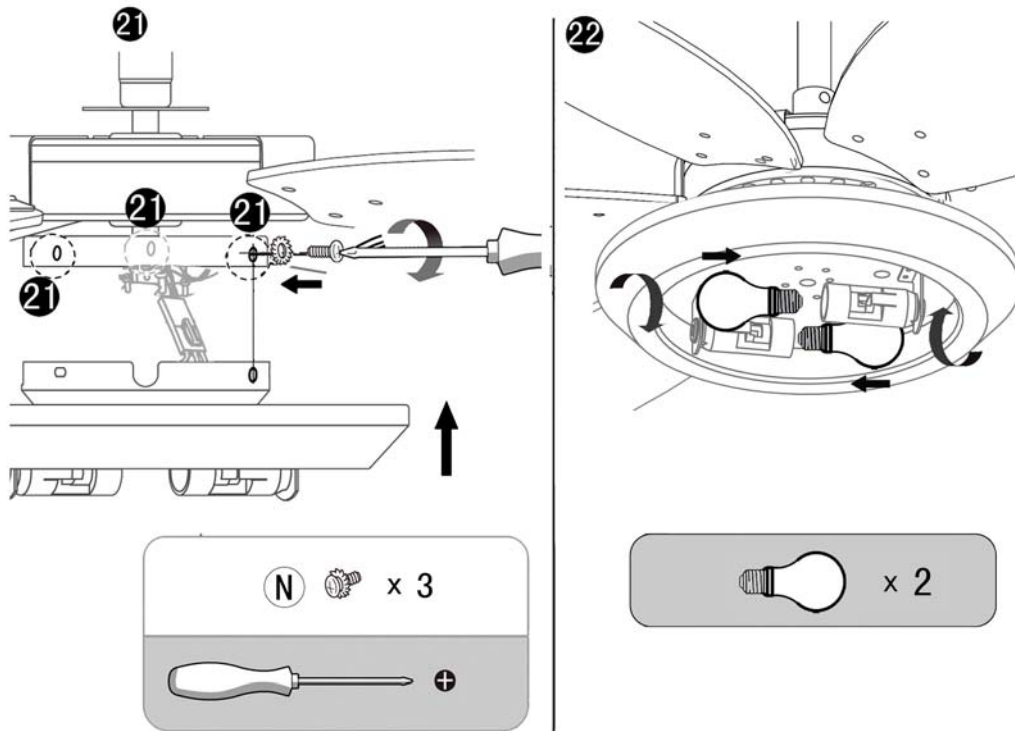




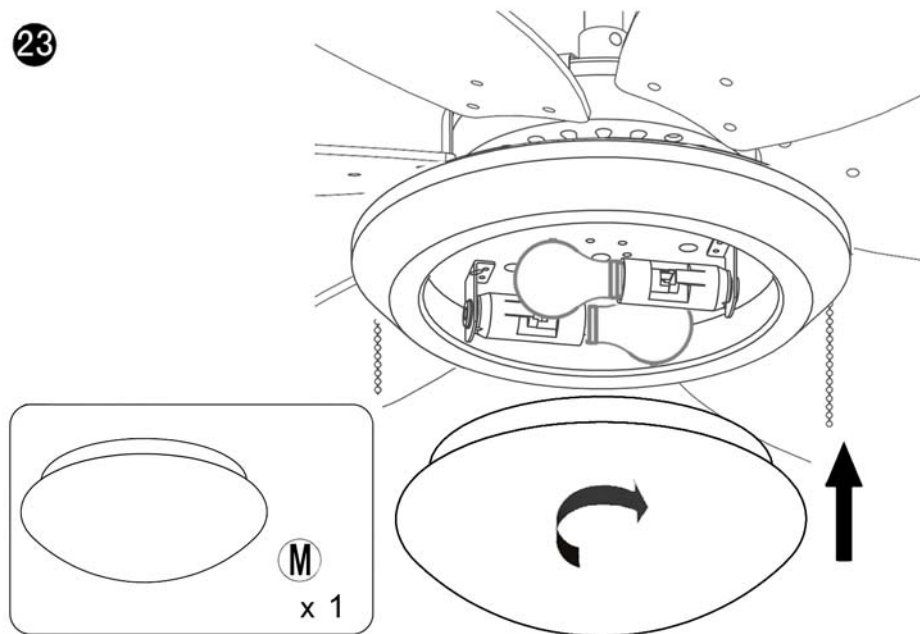
N  x 3



9



23



9

