

Thank you for choosing a product.

Your complete satisfaction is our top priority.

### **Customer Service and Warranty Information**

- **For Warranty Assistance:**

If you experience any issues or require additional information regarding your warranty, please do not contact the place of purchase. Instead, reach out directly to our Customer Service Team.

- **Warranty Coverage:**

Warrants its products to the original purchaser against defects in materials or workmanship. A defect is defined as any flaw that impairs the normal use of the product. This warranty is limited to the replacement of defective parts or components and is valid for one (1) year from the date of purchase.

- **Warranty Limitations:**

This warranty covers products used under normal household conditions. It does not apply to furniture used outdoors or damage resulting from improper assembly or disassembly, product modification, intentional damage, accidents, misuse, exposure to elements, or any labor or assembly costs.

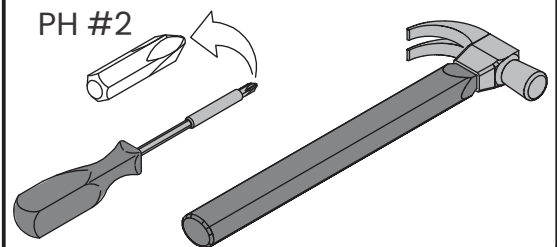
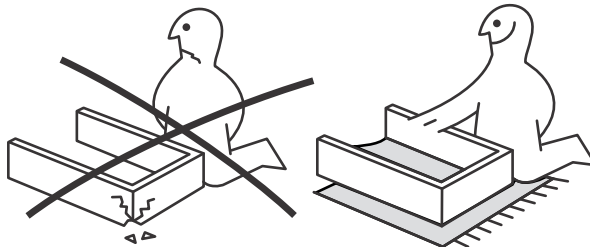
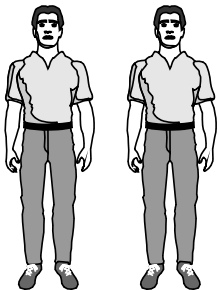
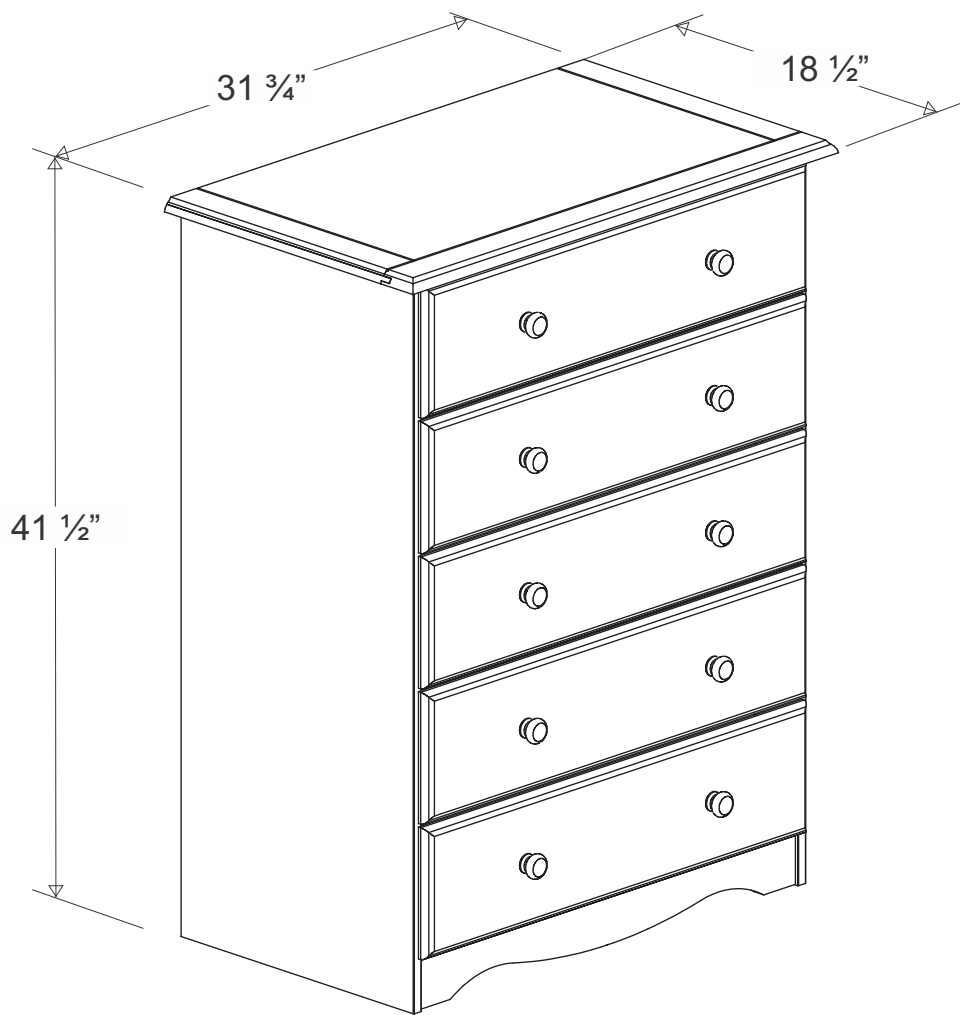
- **Additional Terms:**

We reserve the right to require proof of purchase to process any warranty claim. We are not liable for any incidental or consequential damages resulting from the misuse of our products.

# ASSEMBLY GUIDE

## 5-DRAWER CHEST

Compliant with Federal Law STURDY Act (Stop Tip-overs of Unstable, Risky Dressers on Youth). Passed 16 CFR 1262, ASTM F2057-23 Tests.



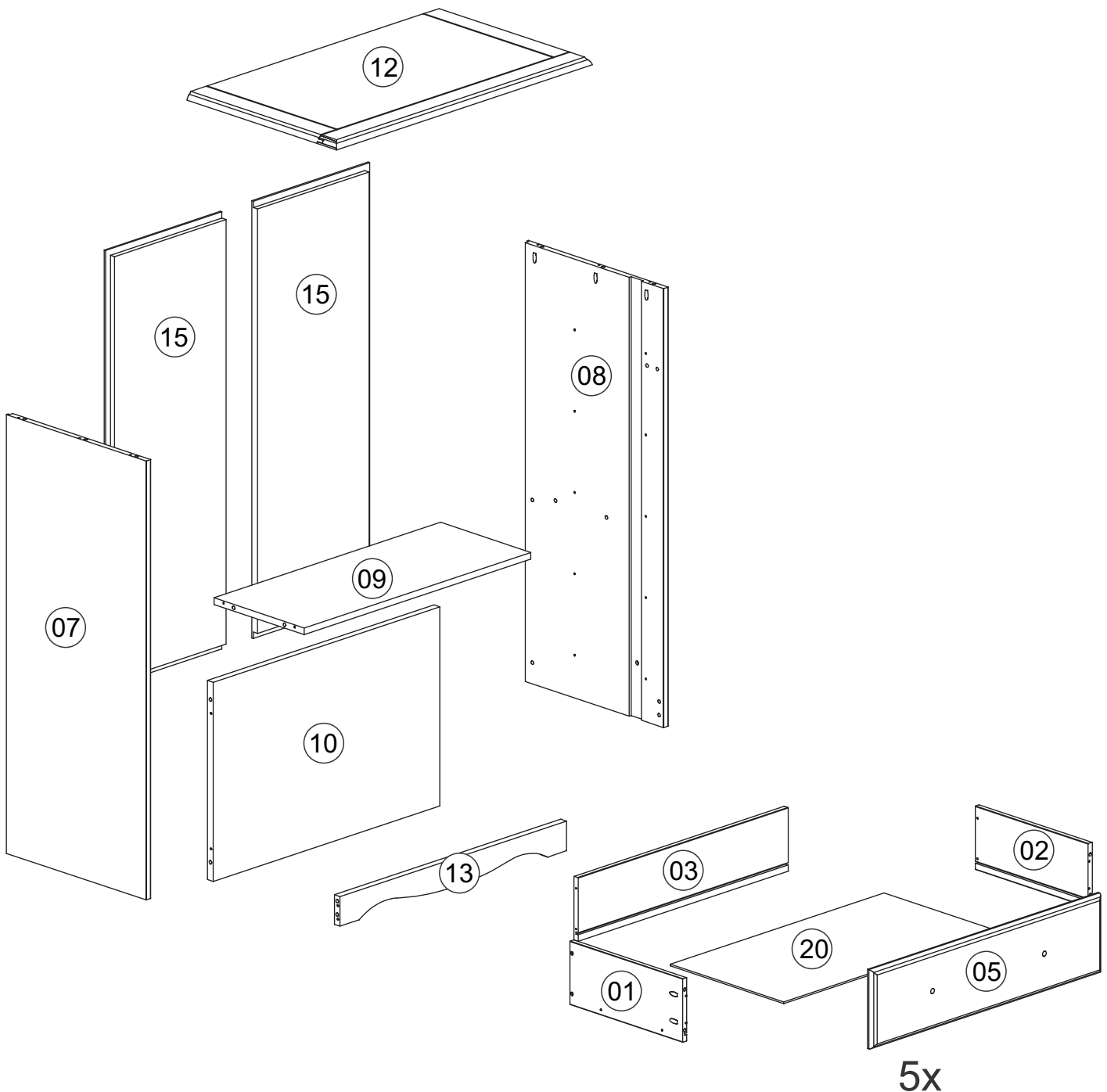
## Before You Begin Assembly

- Carefully inspect the package contents. A complete parts checklist is provided below.
- If any parts are missing or damaged, please contact us.


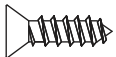
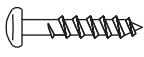
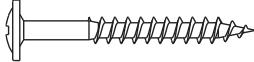


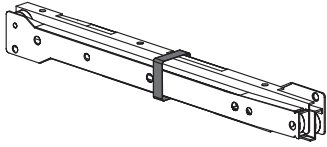
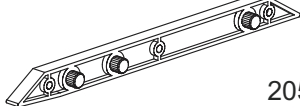
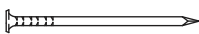
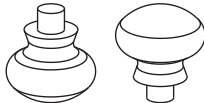
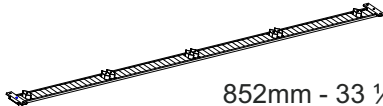
## Assembly Tips


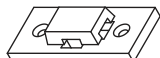

- Assemble the item on a flat, smooth surface. We recommend placing a blanket or protective covering underneath to prevent scratches.
- Use a power drill **only at a low-speed setting** to avoid damaging components.
- Assemble the product as close as possible to its final location to minimize the need for moving it later.
- Important: The hardware pack contains small parts that may pose a choking hazard.  
**Keep all small items out of reach of young children.**

## PARTS LAYOUT



Screws Are Illustrated at Actual Size for Accurate Reference

A1	 4,0x30	60+3
A4	 3,5x14	14+1
A9	 3,5x16	15+1
A41	 4,0x30	10+1
B31	 6,0x10	40+2
C2	 8,0x25	38+2
E13	 330mm - 13"	05
E14		05
E27	 205mm - 8"	05
G1	 10x10	22
H1		10
I6	 852mm - 33 1/2"	01

TIPOVER RESTRAINT KIT		
A47	 3,0x20	02+1
F8	 47x20x9	02
F15	 300mm	01

**WARNING:**  
**CHOKING HAZARD**

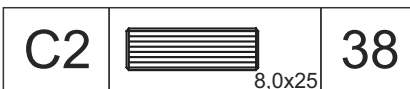
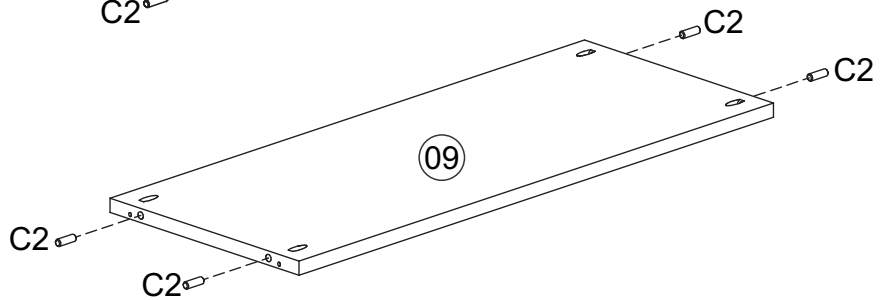
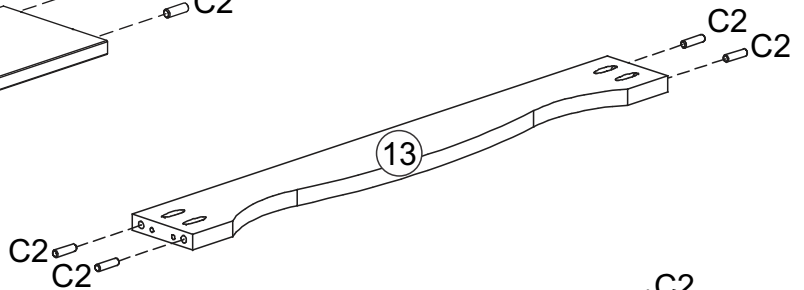
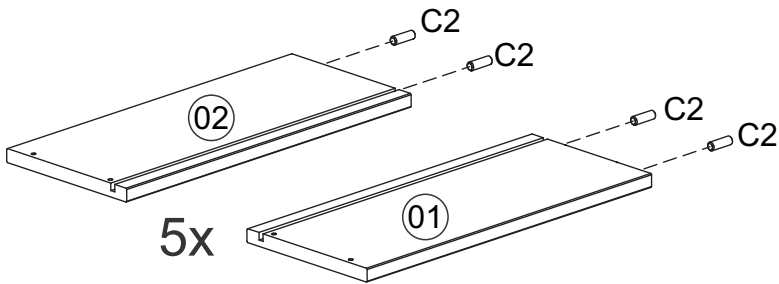
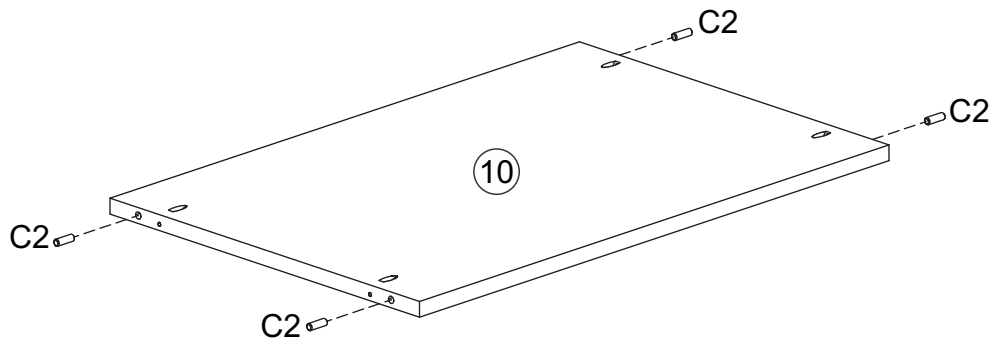
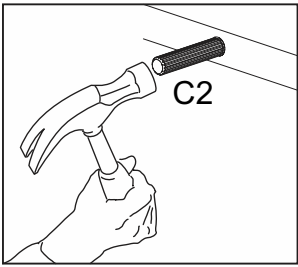
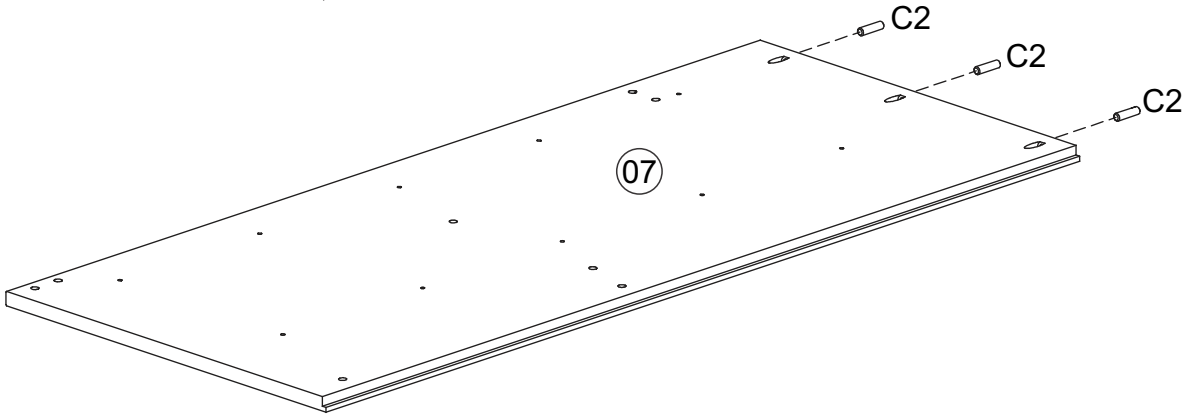
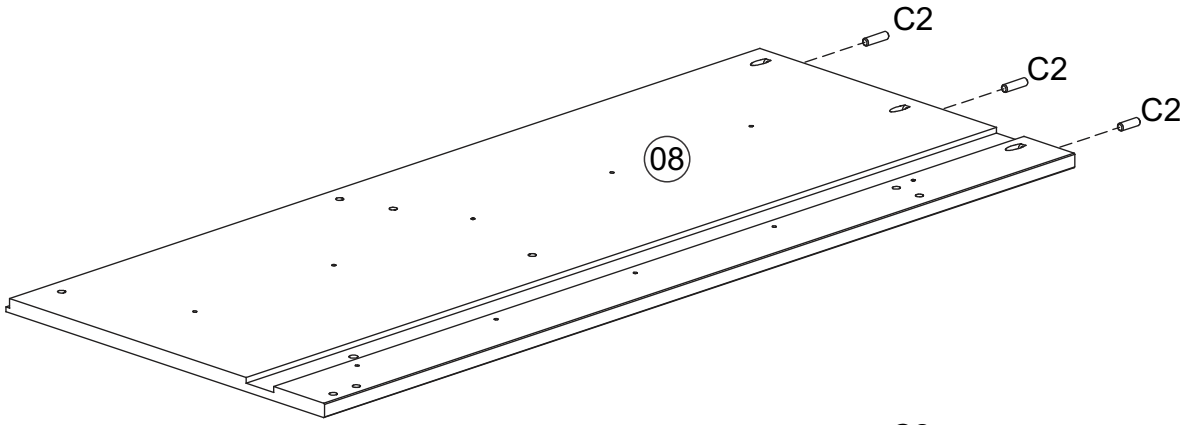
Contains small parts - choking hazard.  
Adult supervision is required during assembly.  
Not suitable for children under 3 years of age.

**WARNING:**

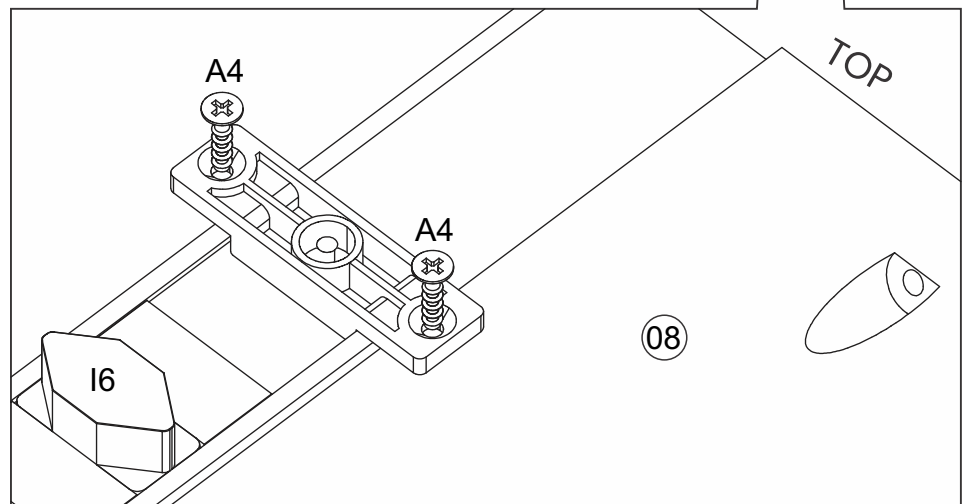
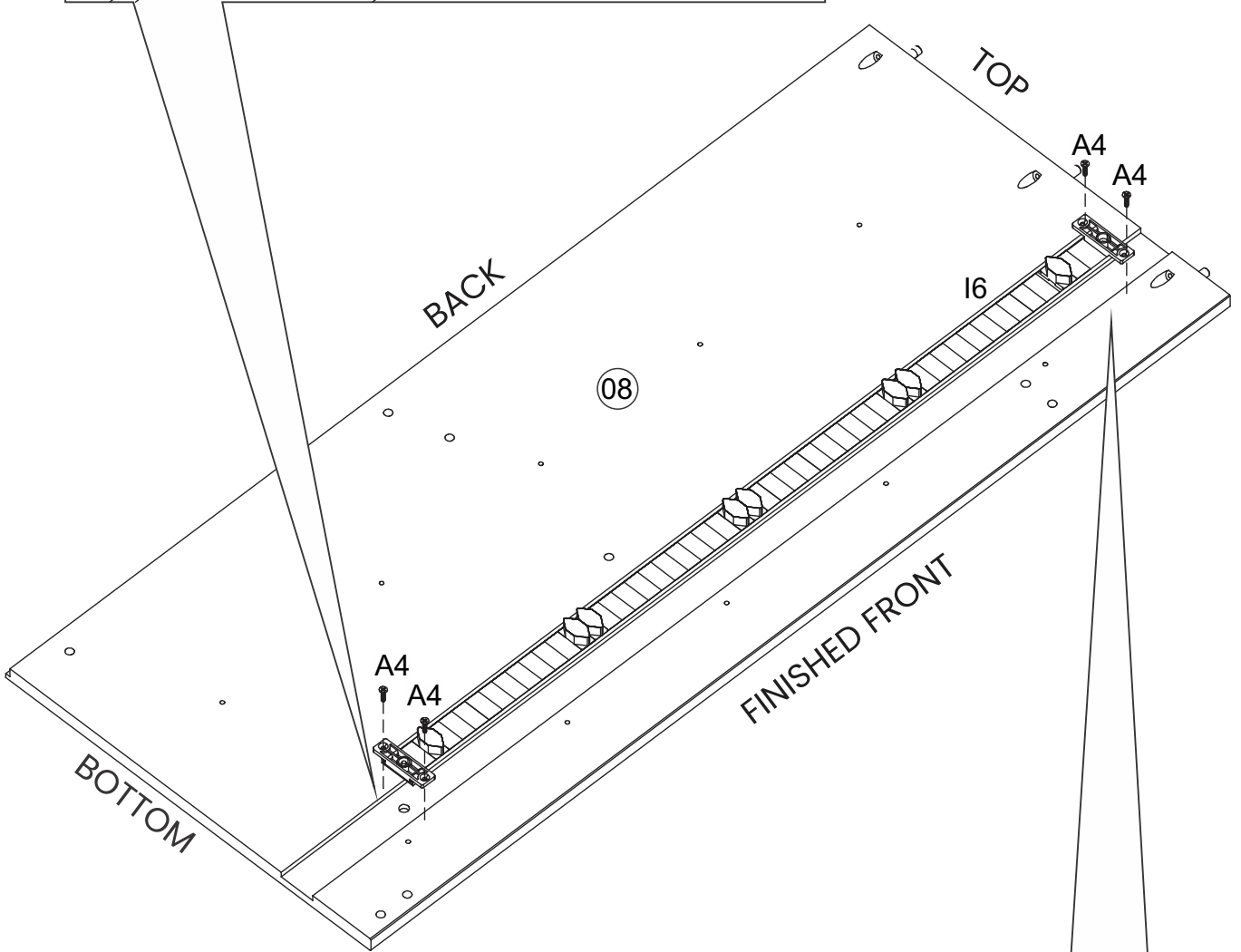
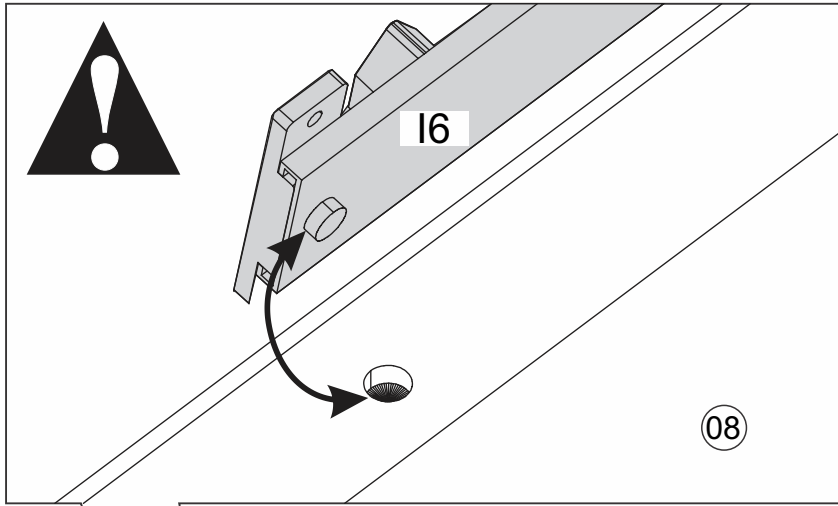
**Important Safety Notice:**



This furniture includes tip-over prevention hardware, which **MUST** be securely attached to the wall as outlined in the assembly instructions. Failure to do so may result in serious injury or death.

01)

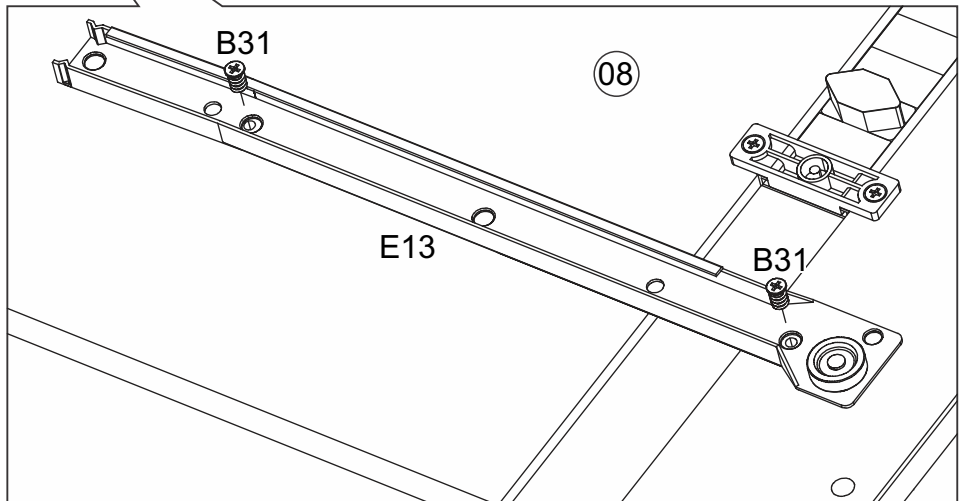
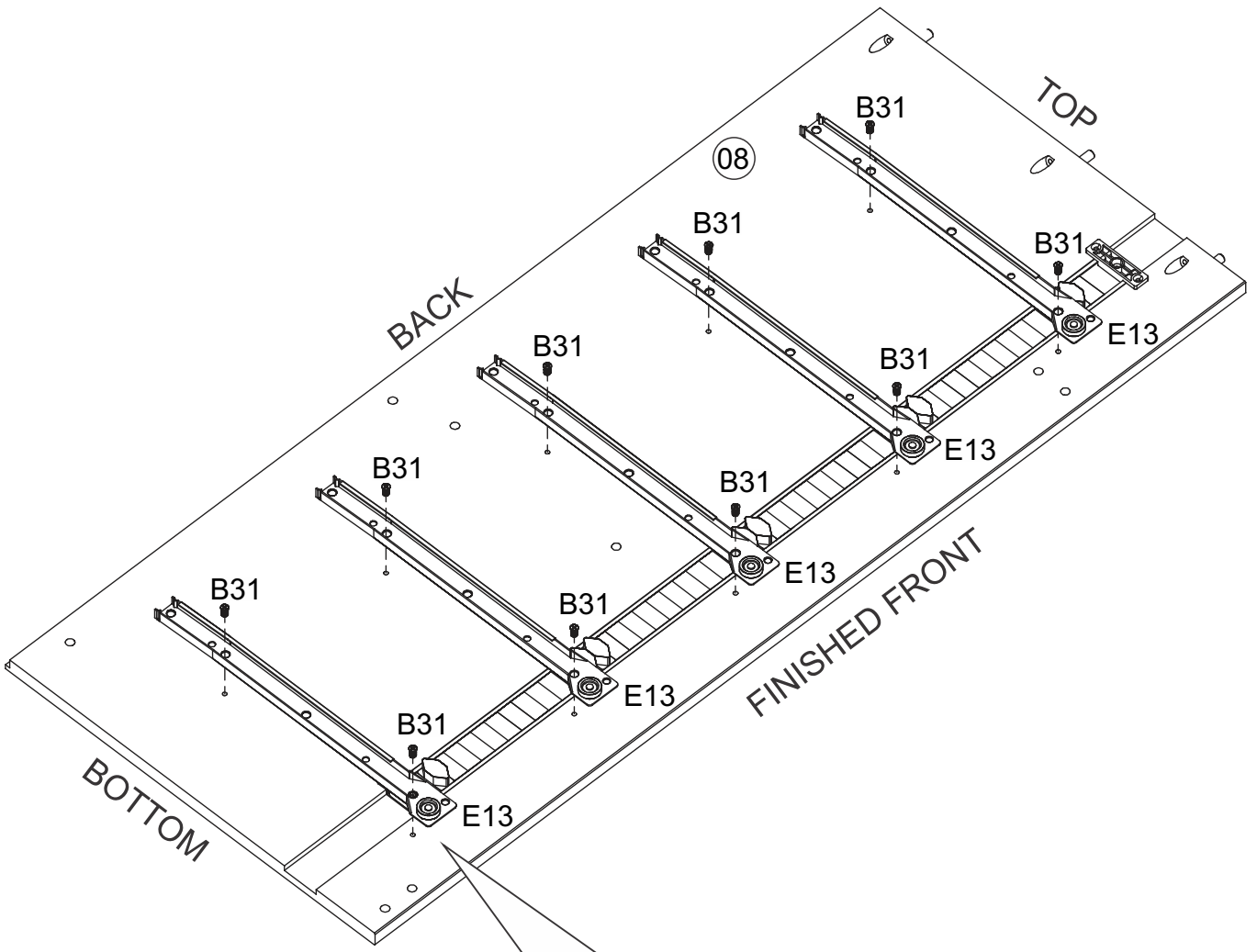
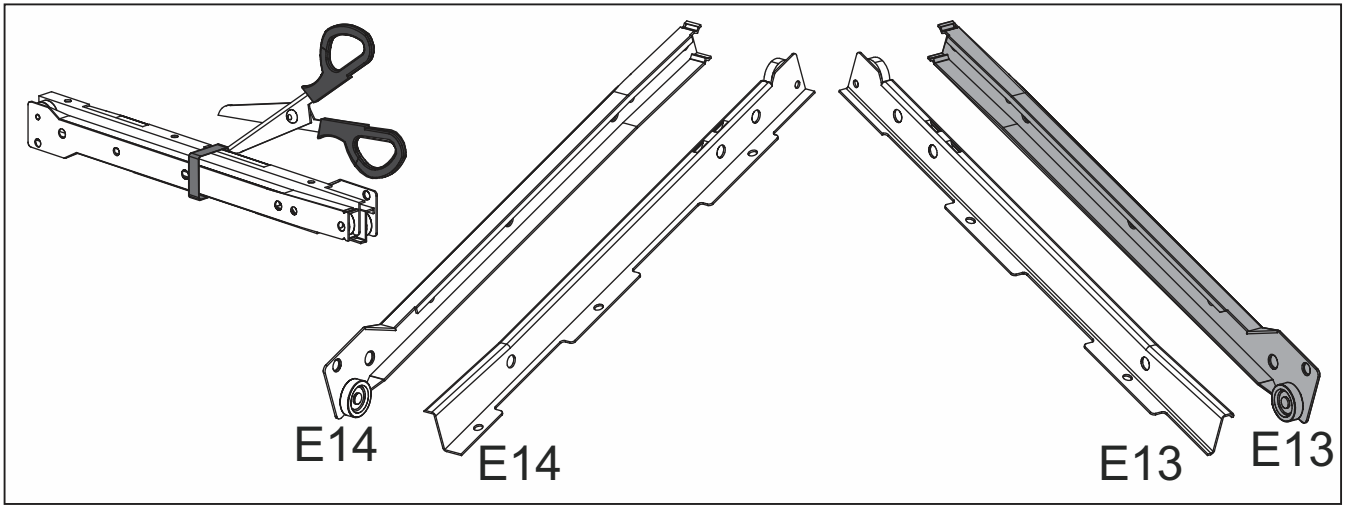



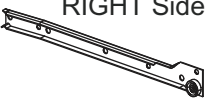
02)



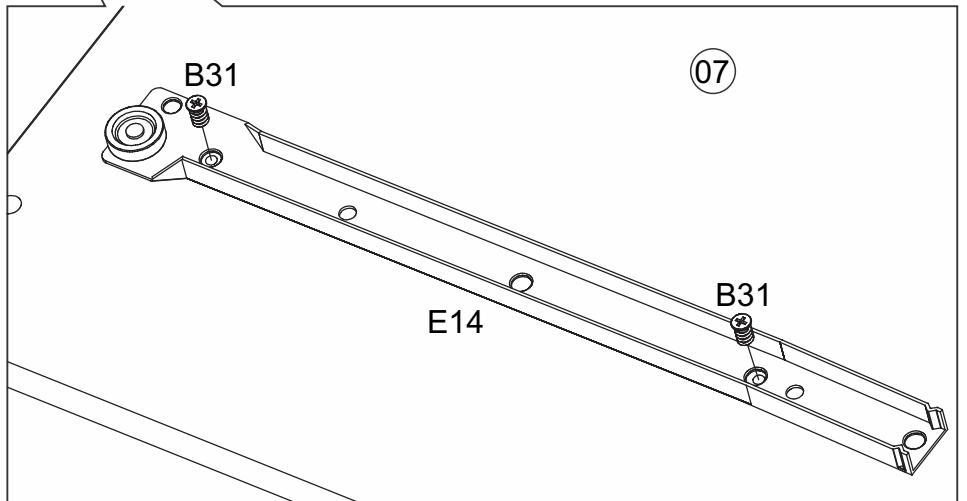
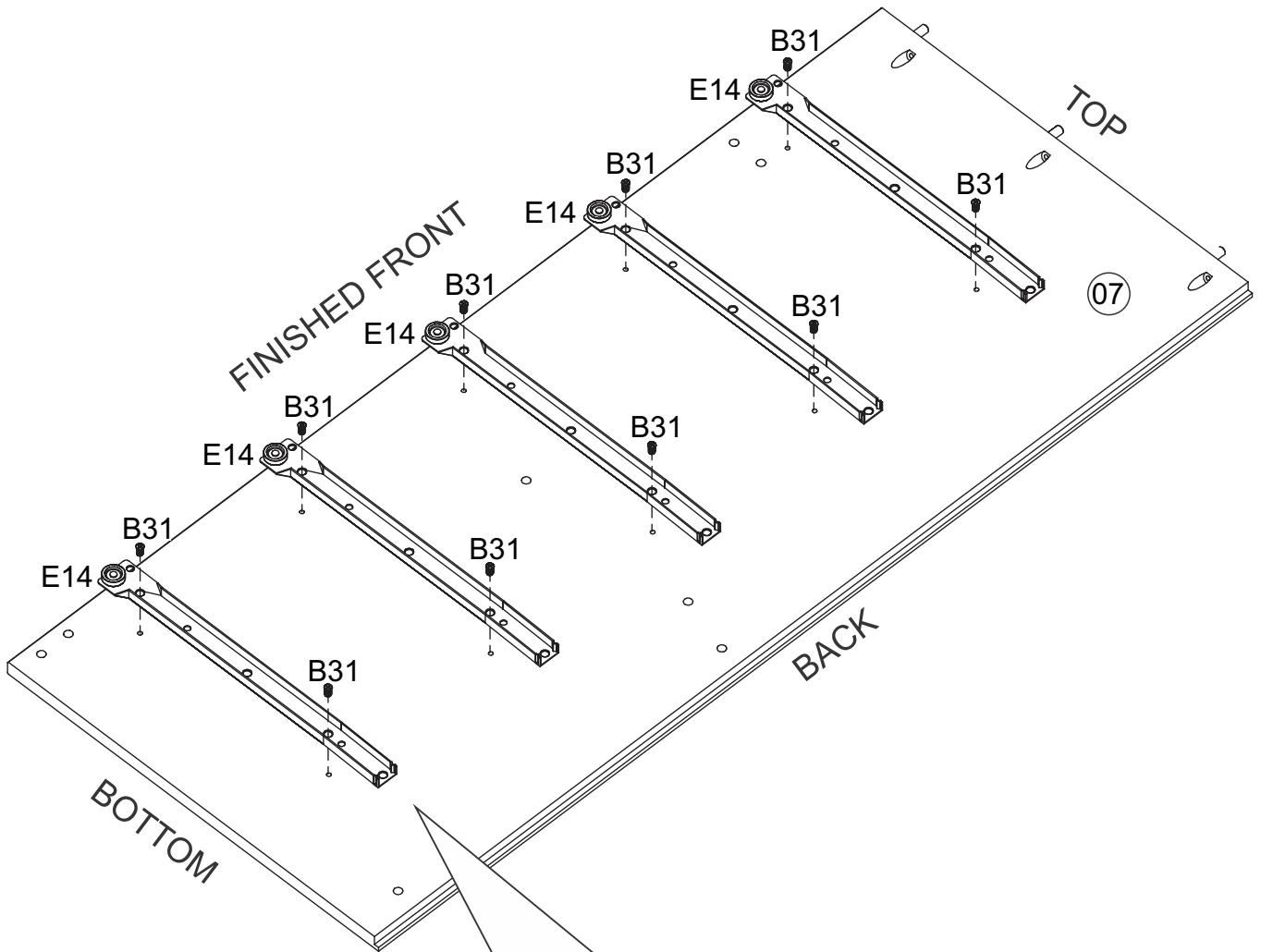
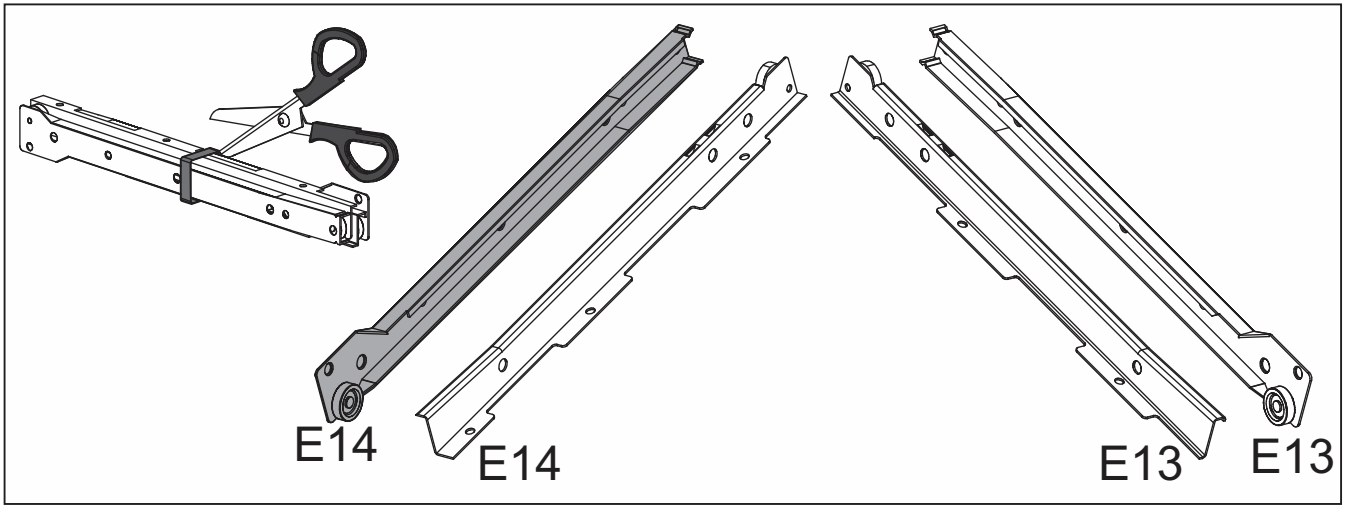
A4	 3,5x14	04
I6		01


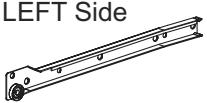
03)



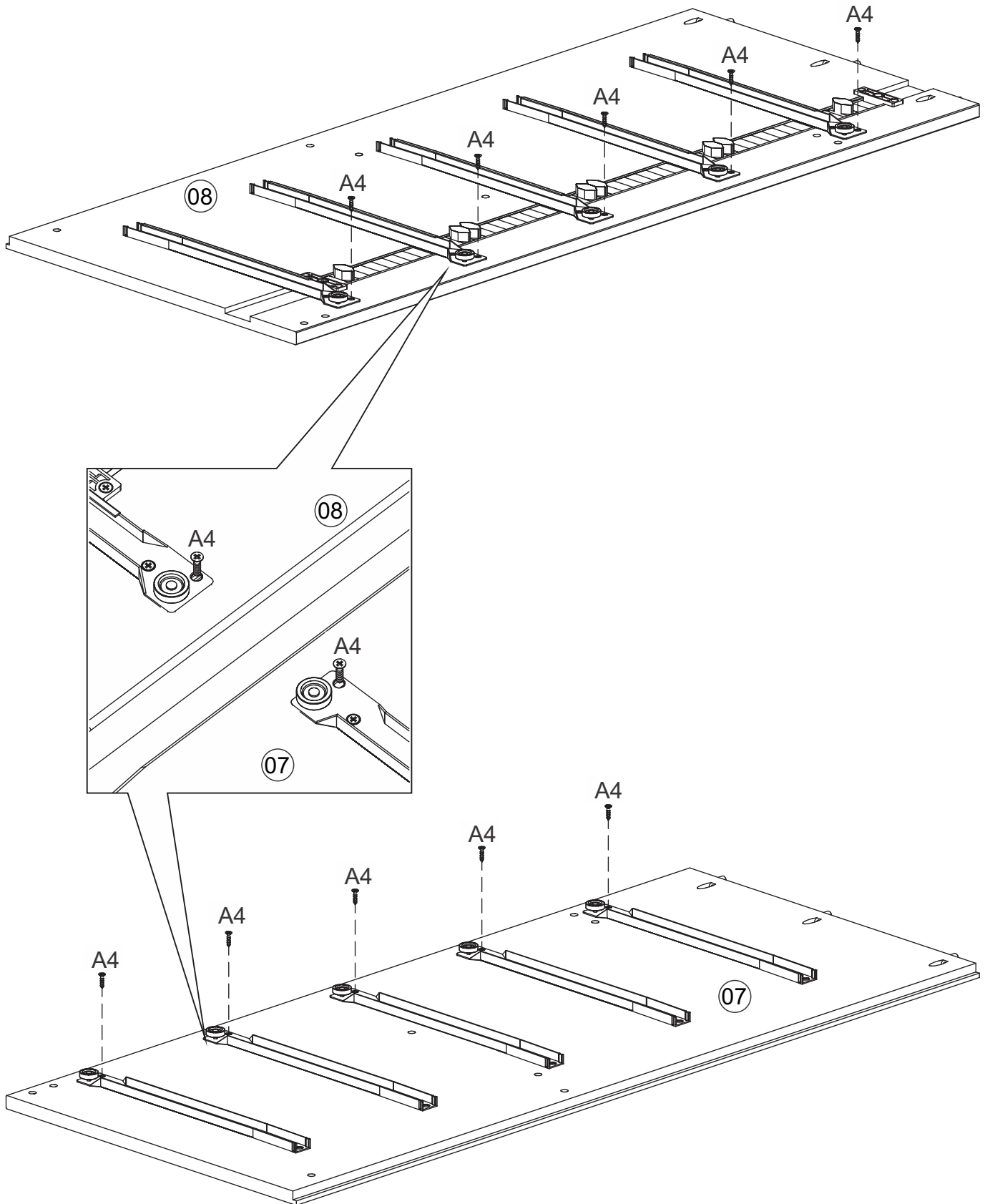
B31	 6,0x10	10
E13	 RIGHT Side	05


04)



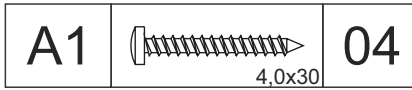
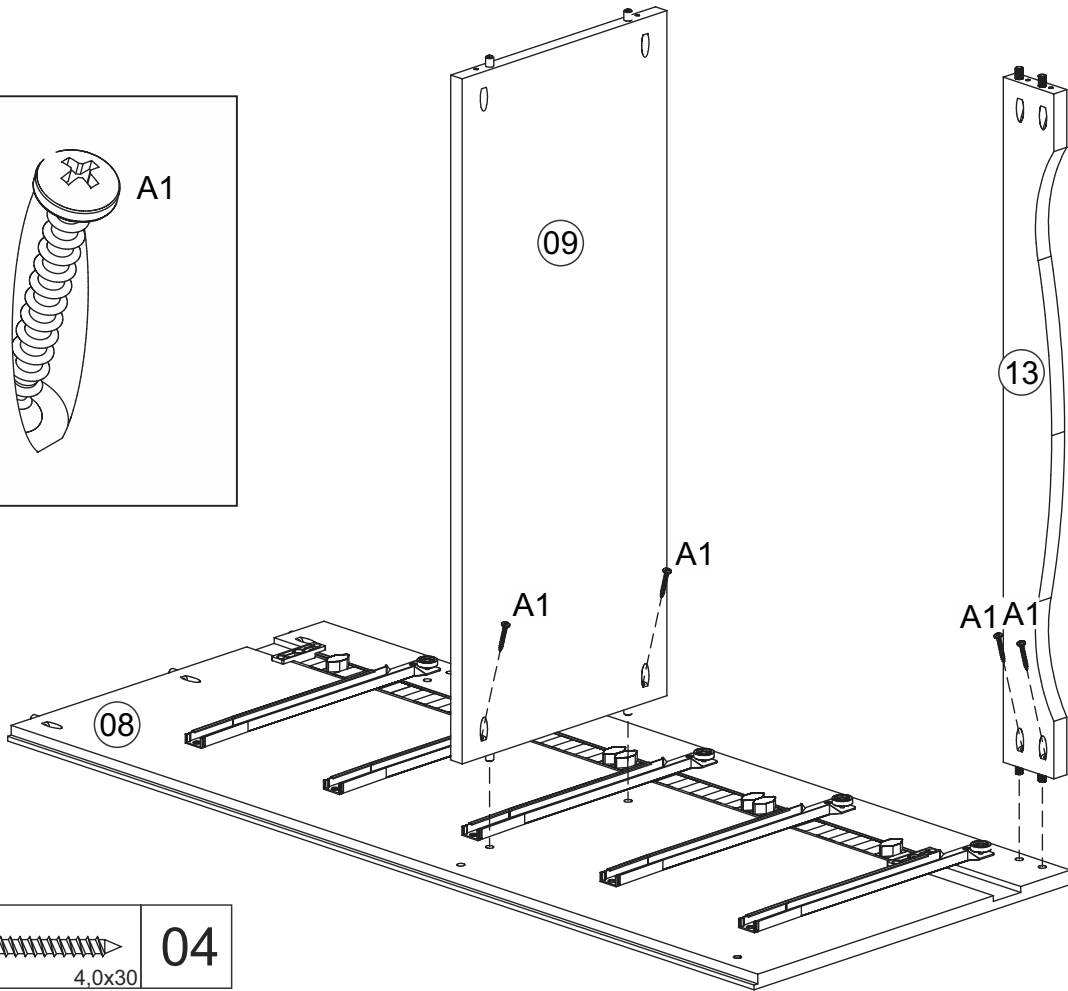
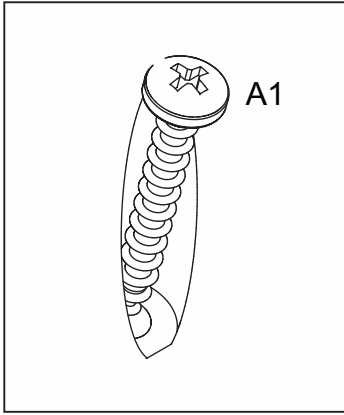
B31	 6,0x10	10
E14	LEFT Side 	05

05)

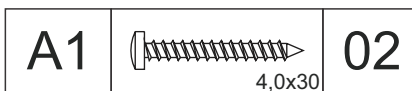
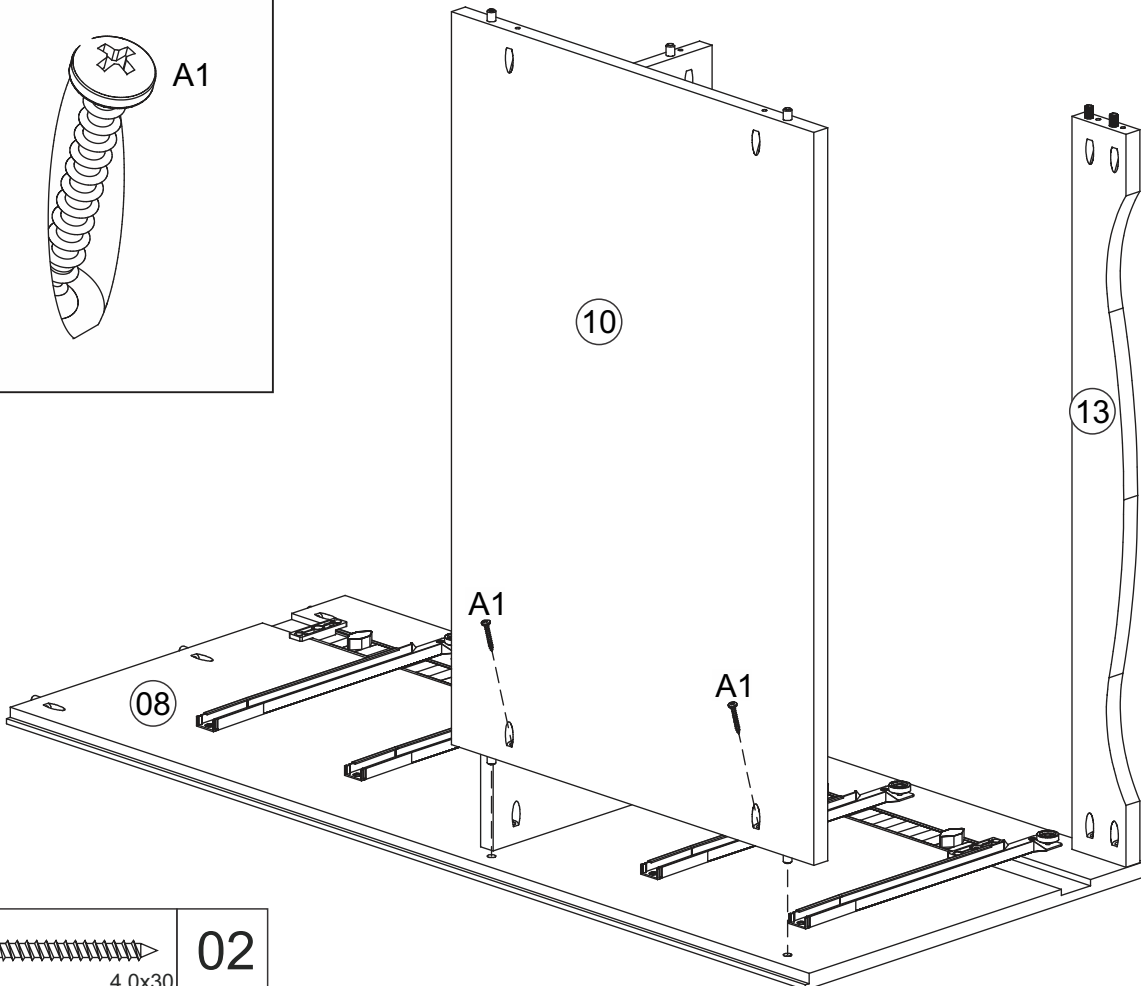
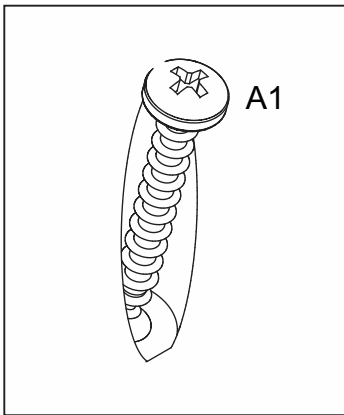


A4	 3,5x14	10
----	---	----

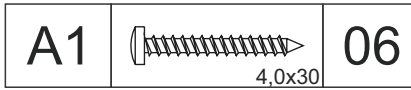
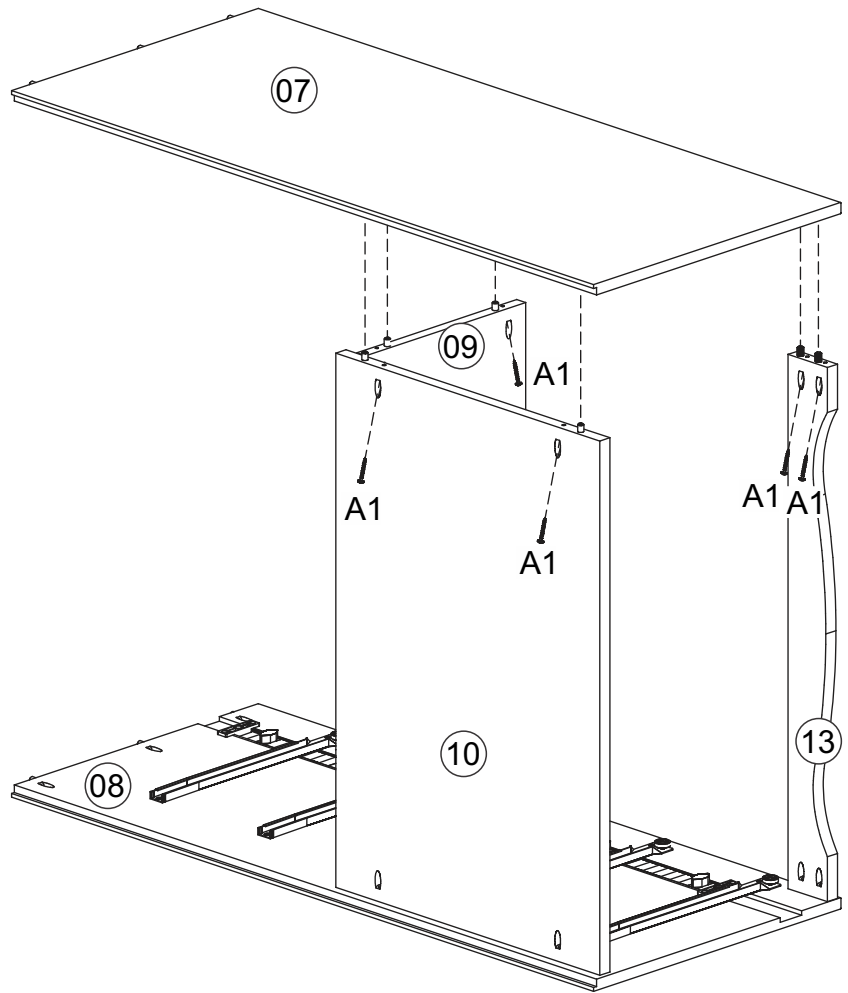
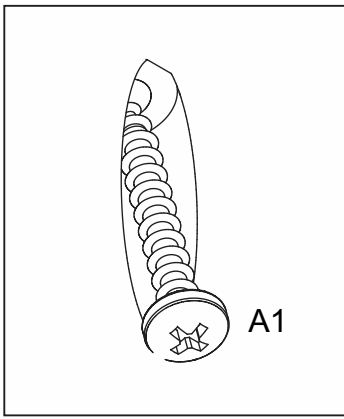
06)



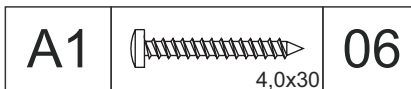
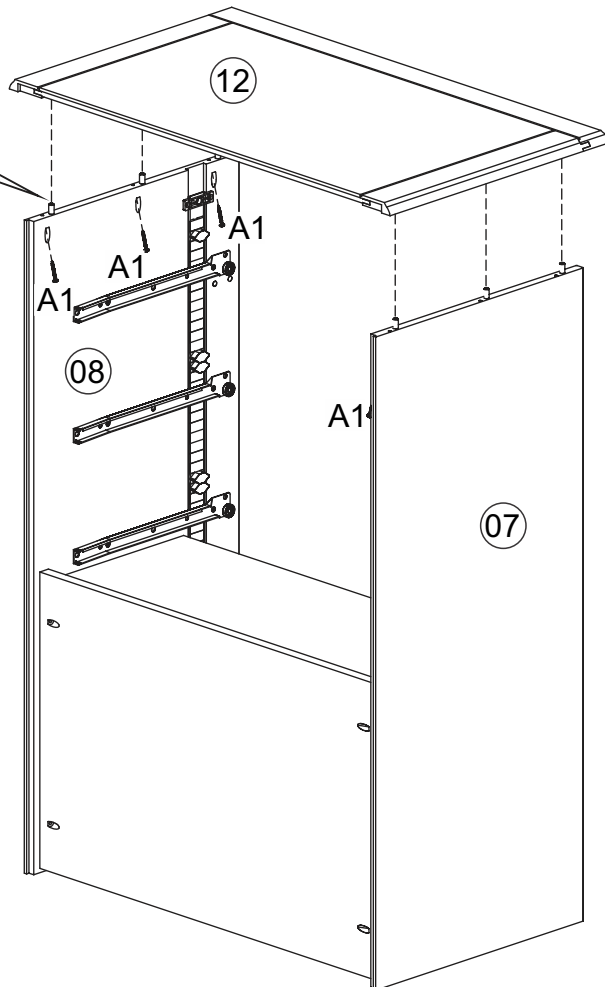
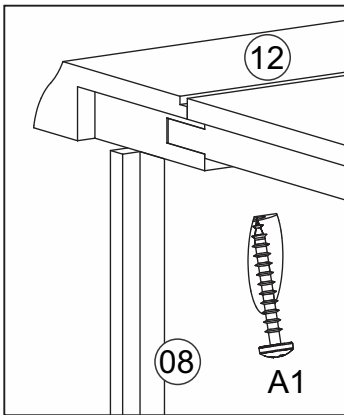
07)



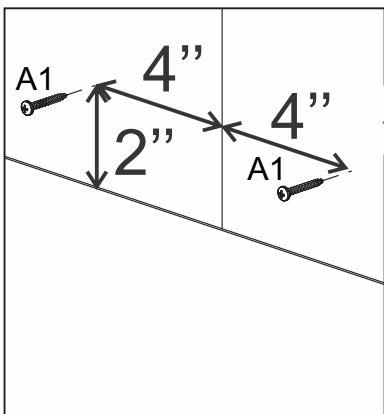
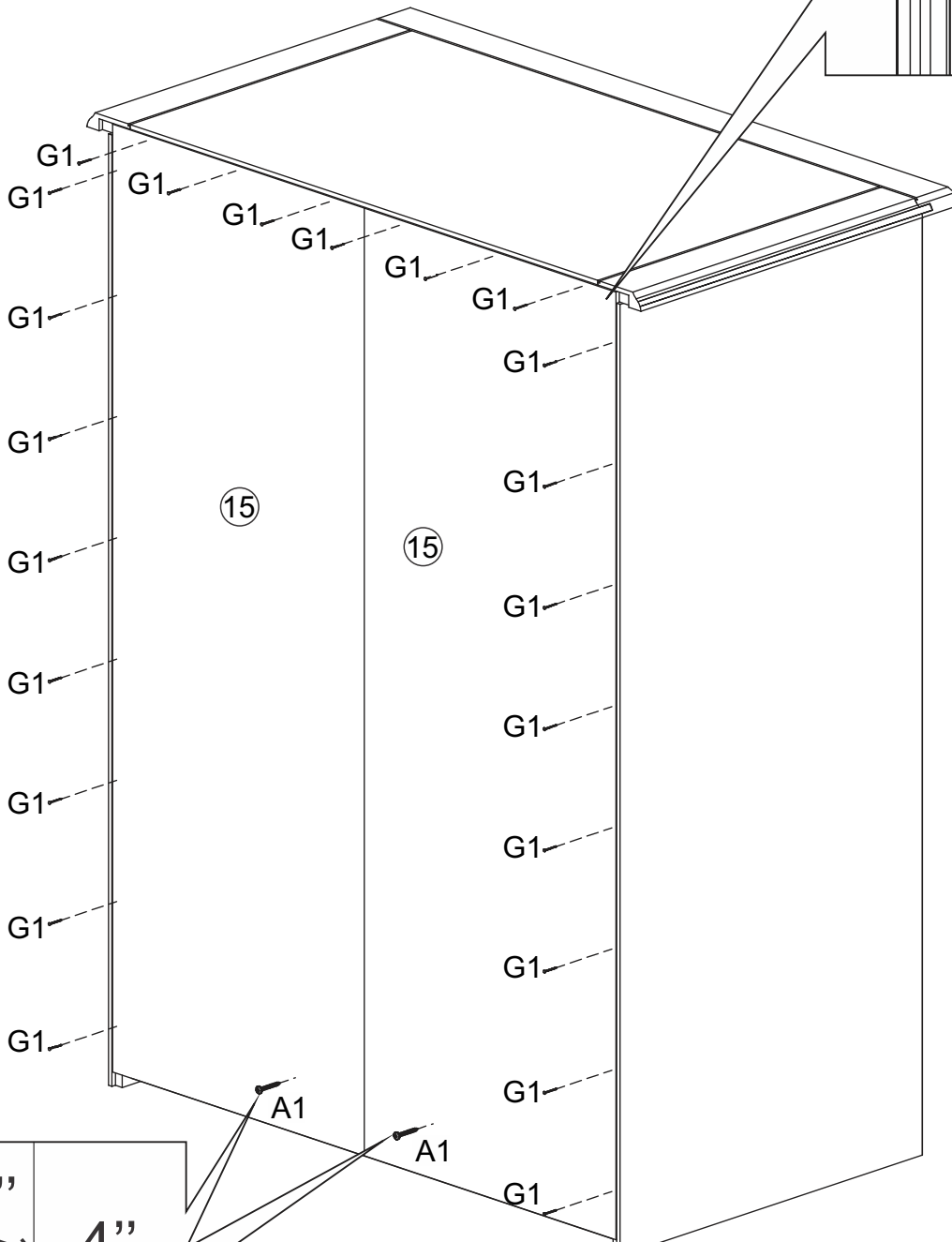
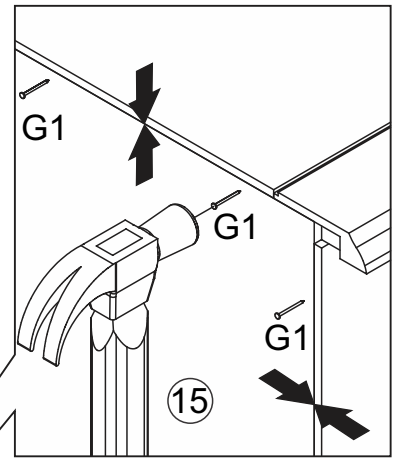
08)





09)

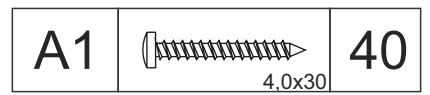
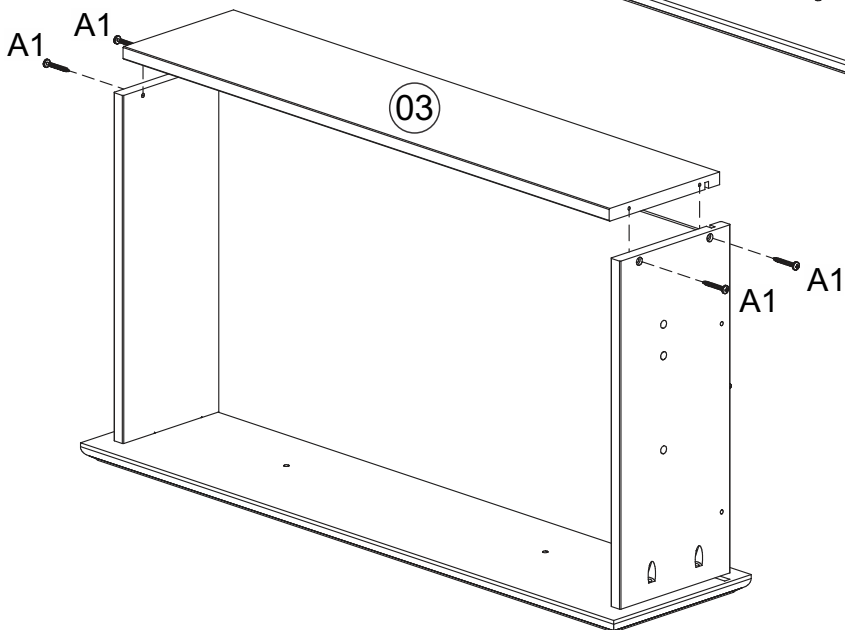
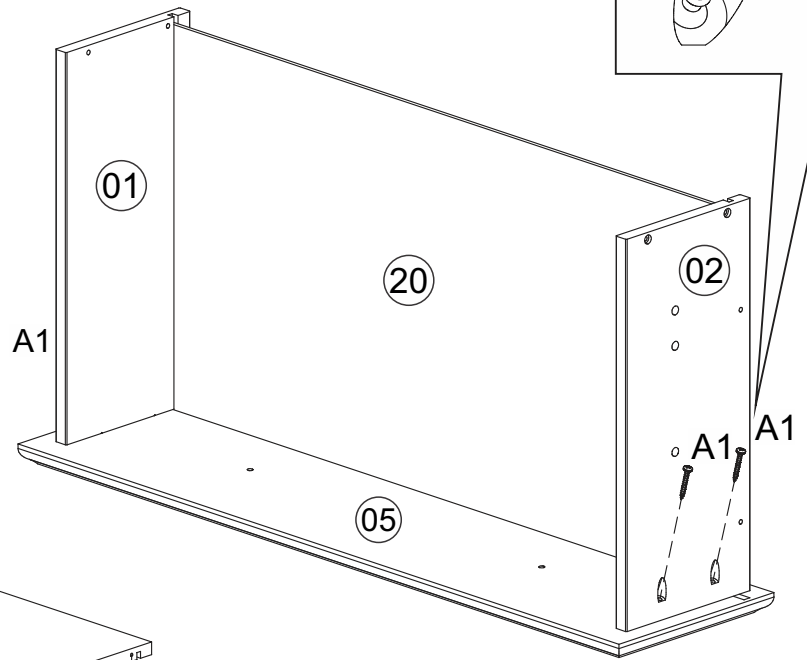
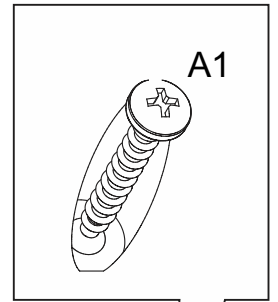
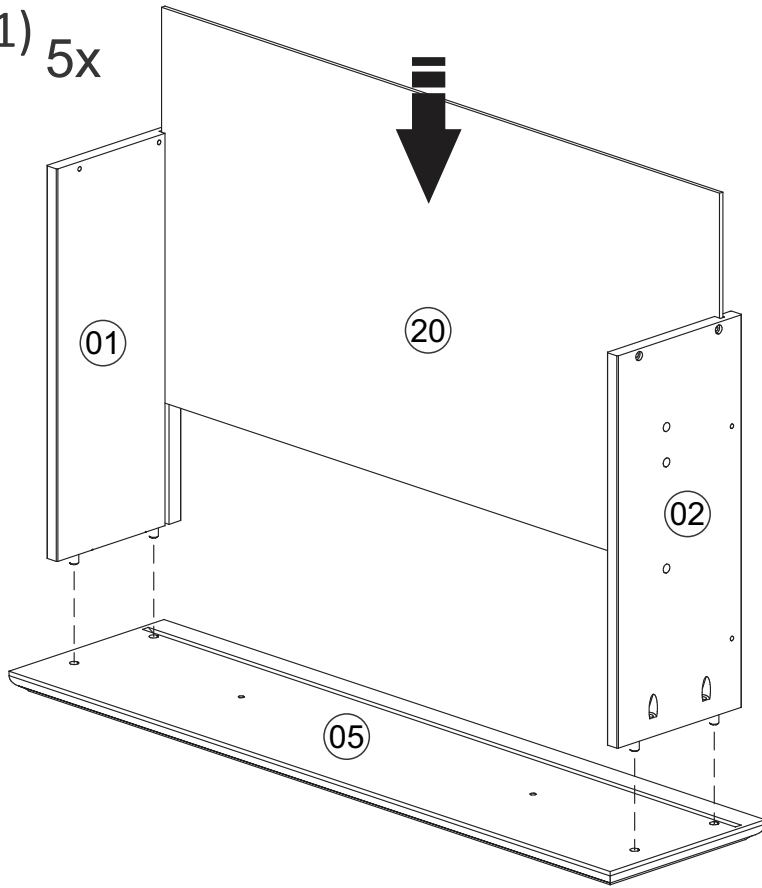


10)

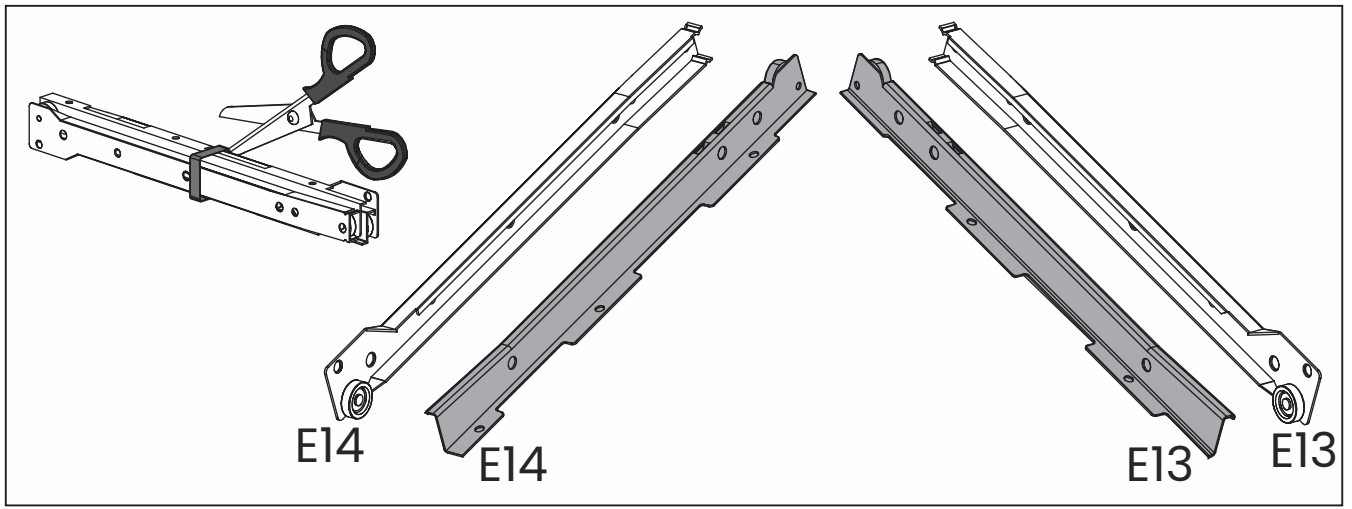


A1	 4,0x30	02
G1	 10x10	22

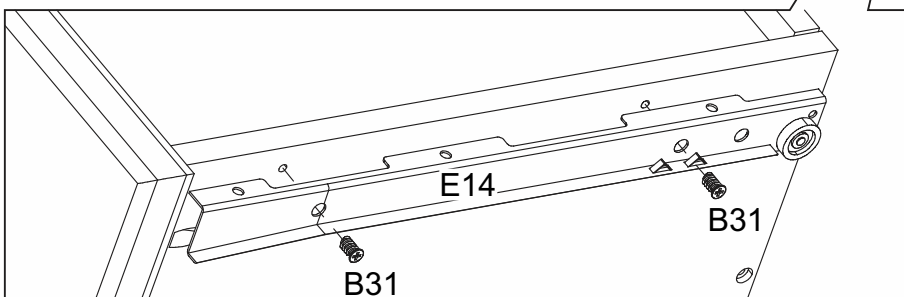
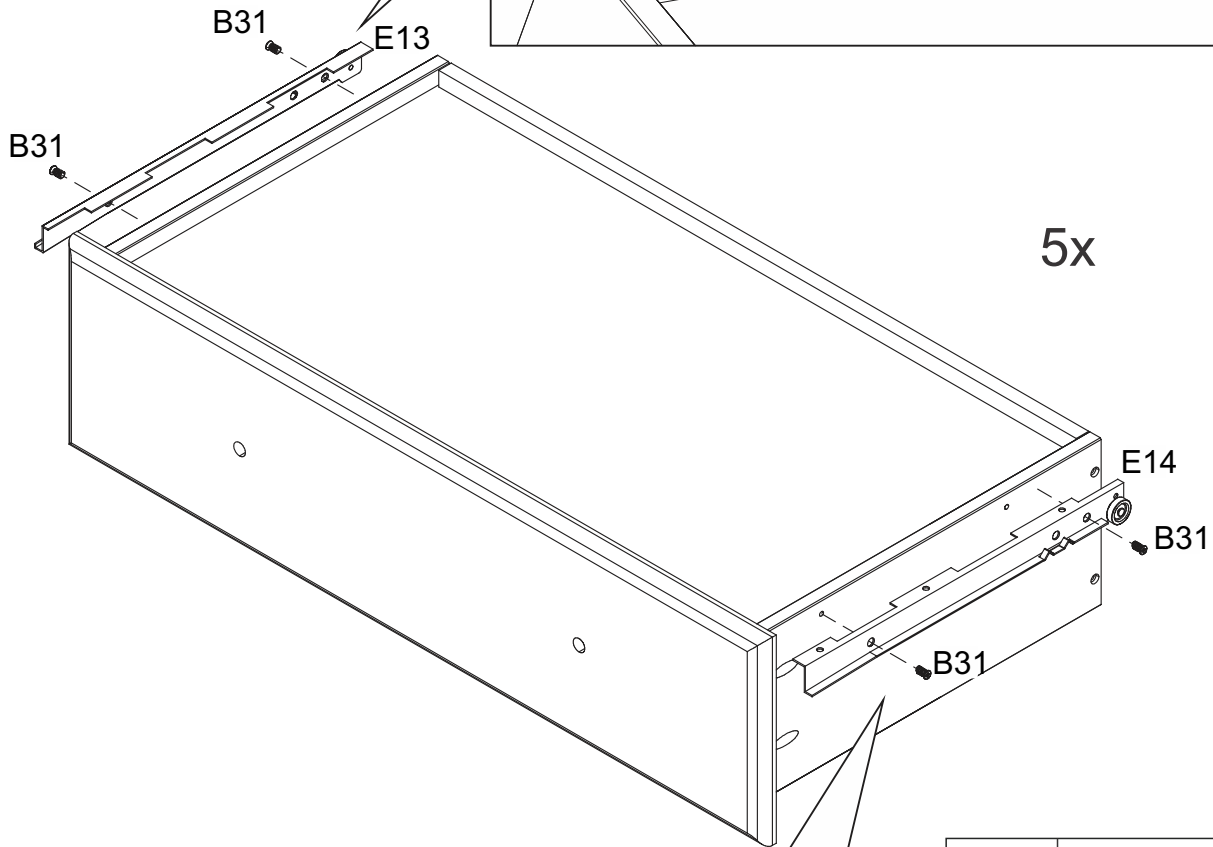
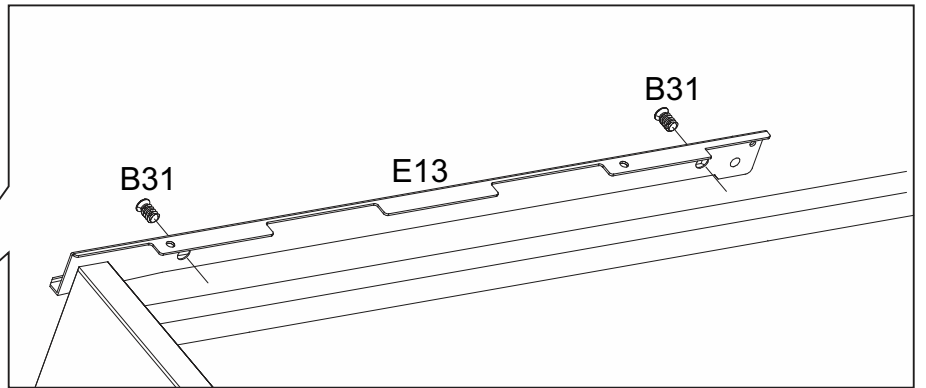
11) 5x



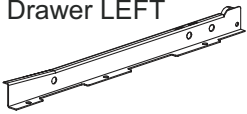


12)

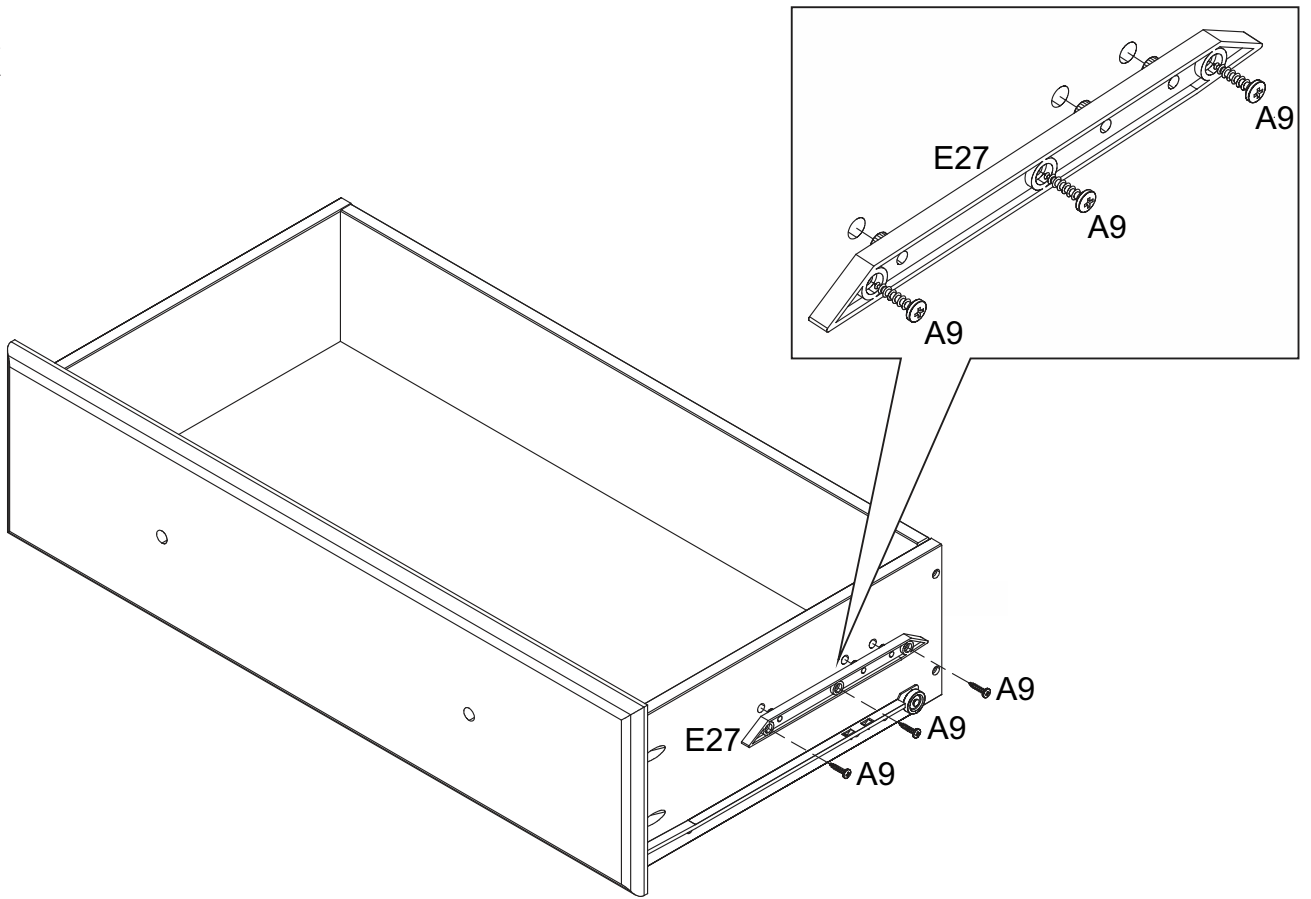



Flip the assembled drawer upside down to install glides.

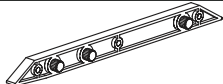


B31	 6.0x10	20
E13	Drawer RIGHT 	05
E14	Drawer LEFT 	05

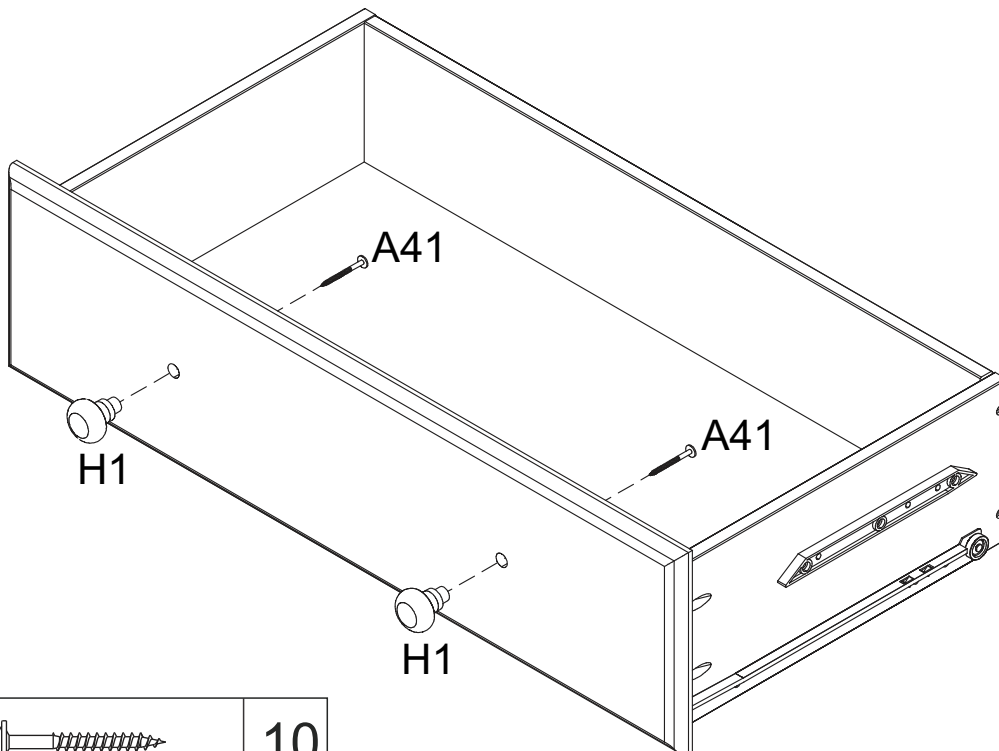
13) 5x





A9		15
	3,5x16	

E27		05
-----	---	----

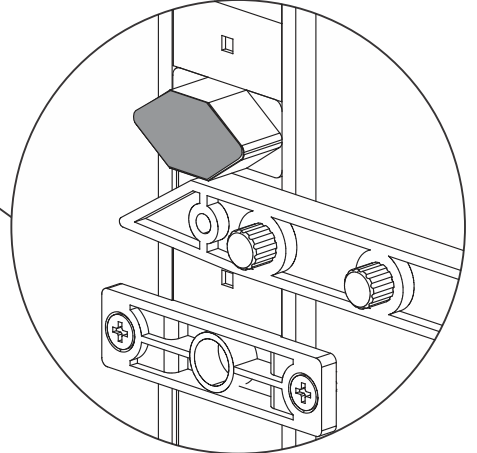
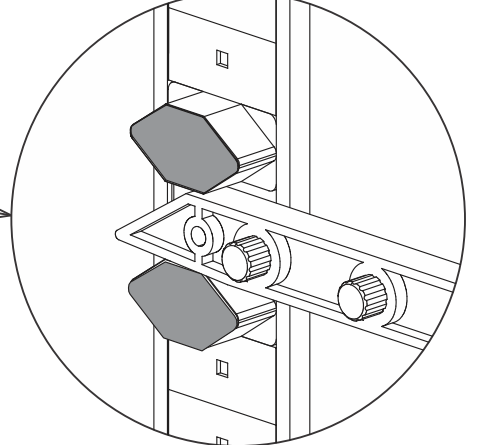
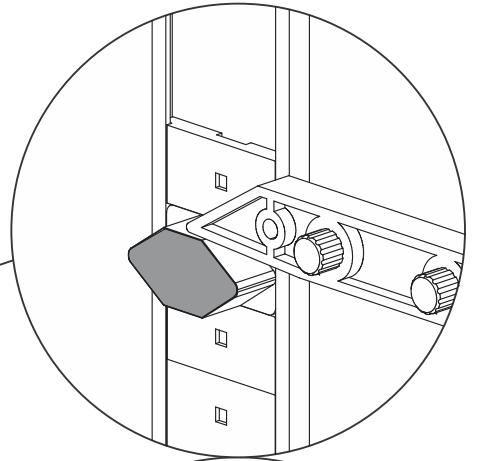
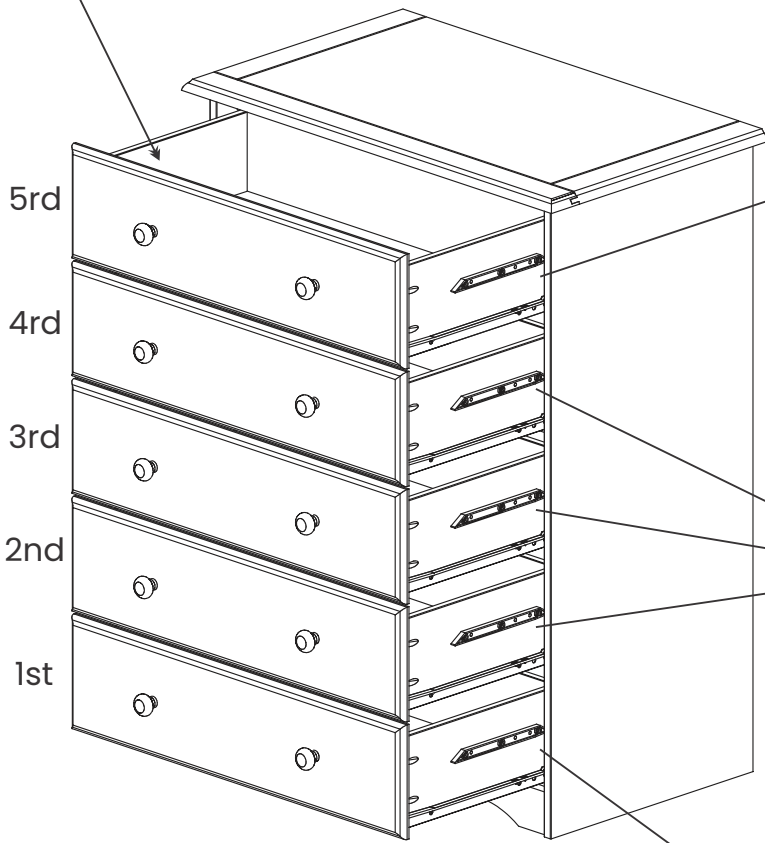
14) 5x



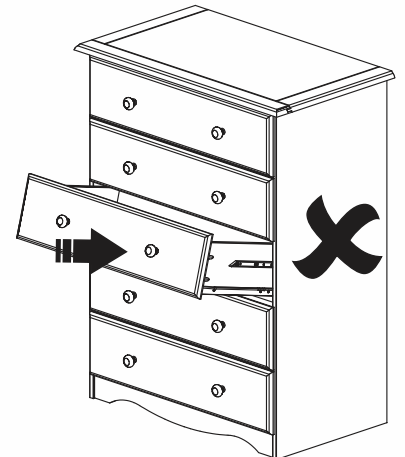
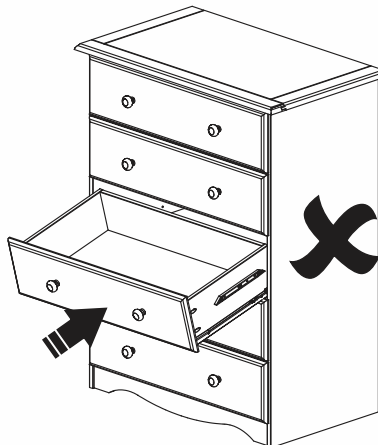
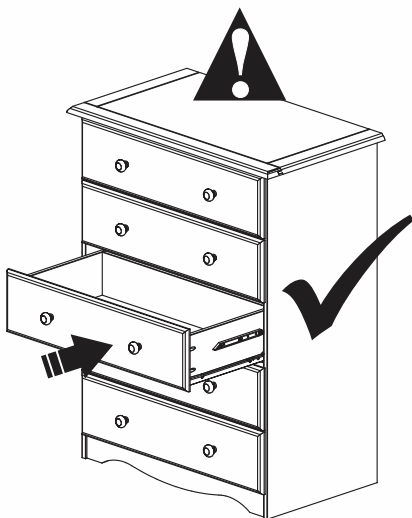
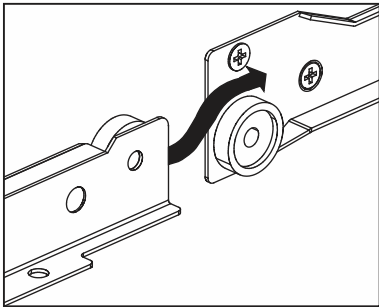
A41		10
	4,0x30	
H1		10

15)

Place labeled drawer in the top position

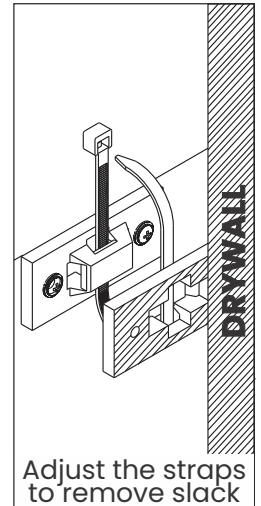
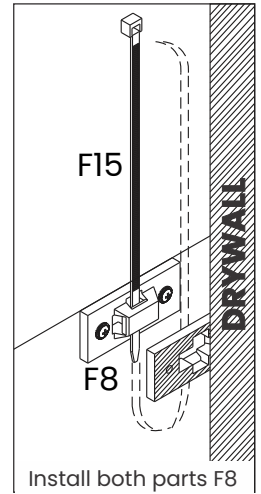
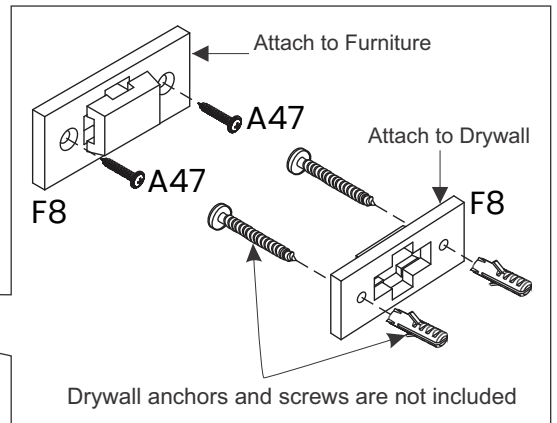
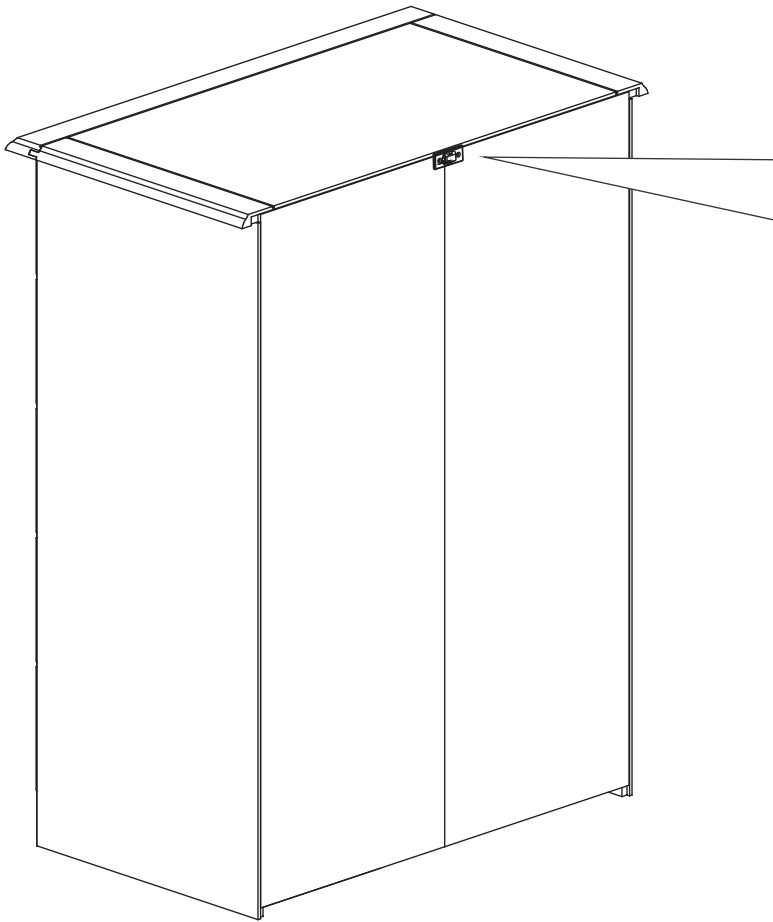
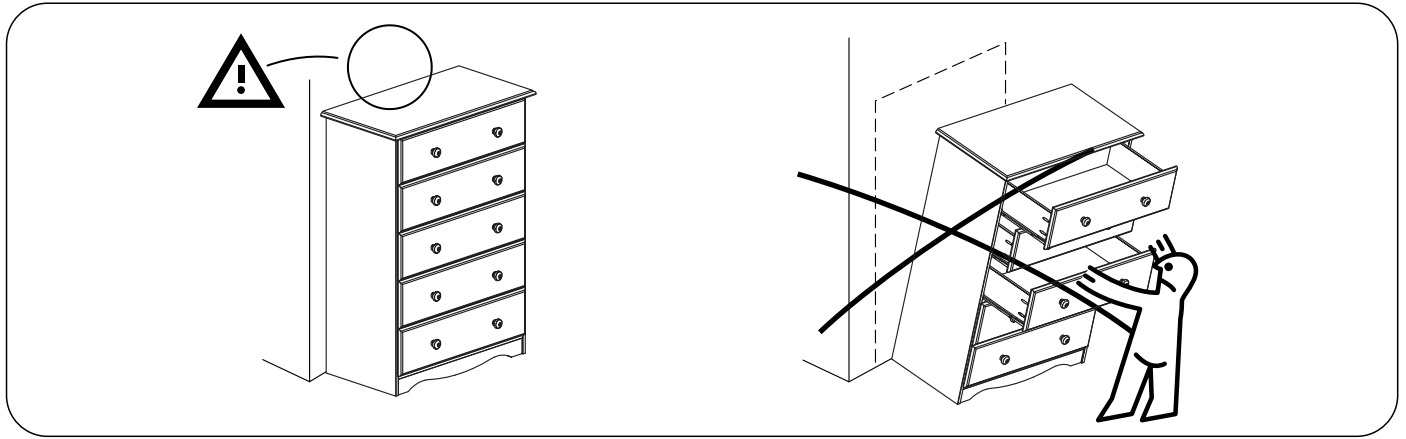


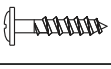
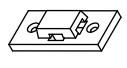

Install the drawers from bottom to top



Ensure that the drawers are inserted into the chest in a horizontal orientation

# 16) Tip-over Restraint Kit Installation



A47	 3,0x20	2
F8		2
F15		1