



Warnings and Cautions

Please retain this instruction for future usage and read carefully before assembly.

Make sure you have all the parts & hardware as item list shows.

3 adults or more are recommended to install your Sunroom.

Do not discard any of the packaging until you have checked that you have all the parts and pack of fittings.

Check all bolts for tightness before use, and periodically check and tighten bolts ensure your gazebo works properly.

Some parts might have sharp edges/corners/Please follow basic safety precautions to reduce the risk of hurts.

Avoid installing and settling the solarium in a corridor of heavy wind.

Some assembly parts contain sharp edges, you should wear protective gloves when handling these items.

For safety issues you must not leave the unit unattended if it is not completed, even if it is already anchored to the ground.

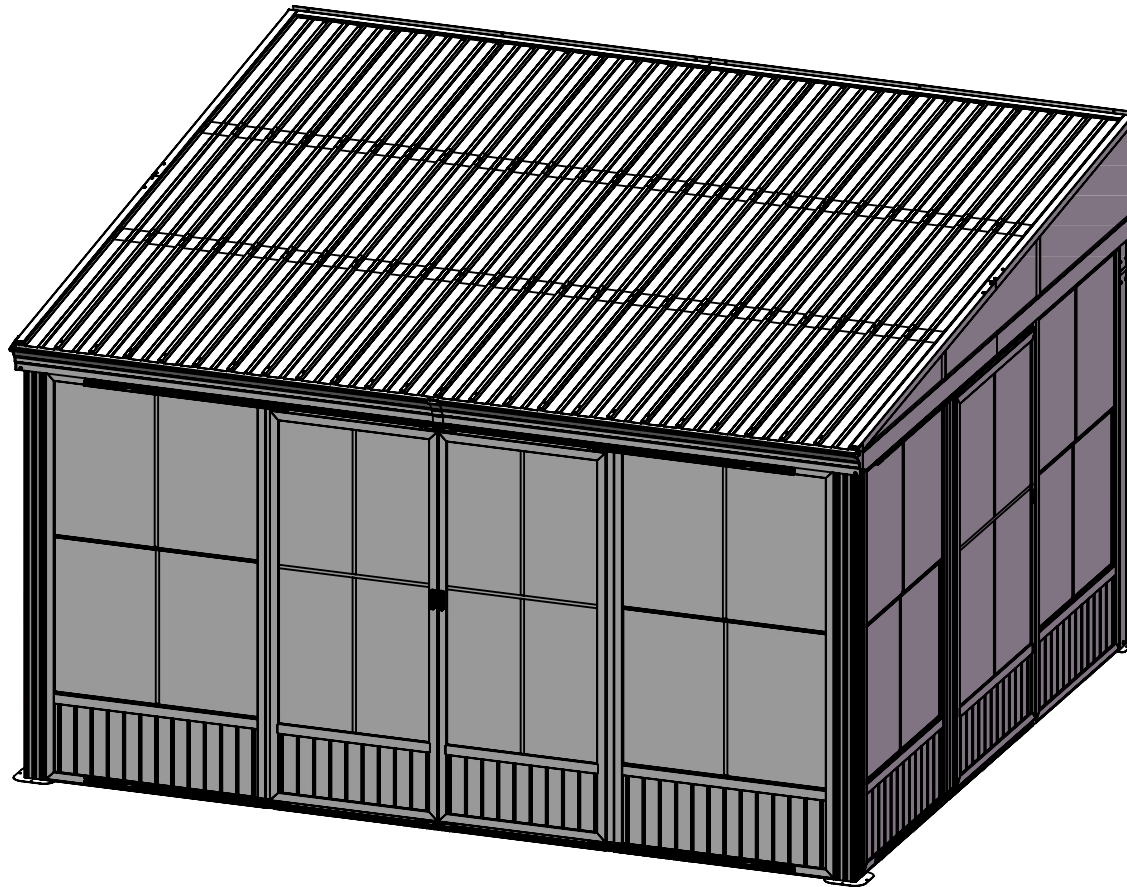
*It is essential to place the gazebo on level ground and not less than **6 feet** from any obstruction such as fences, garages, overhanging branches, laundry lines, or electrical wires.*

If you have questions or concerns.

*Please contact us via email at **service@domioutdoorliving.com***

Domi outdoor living

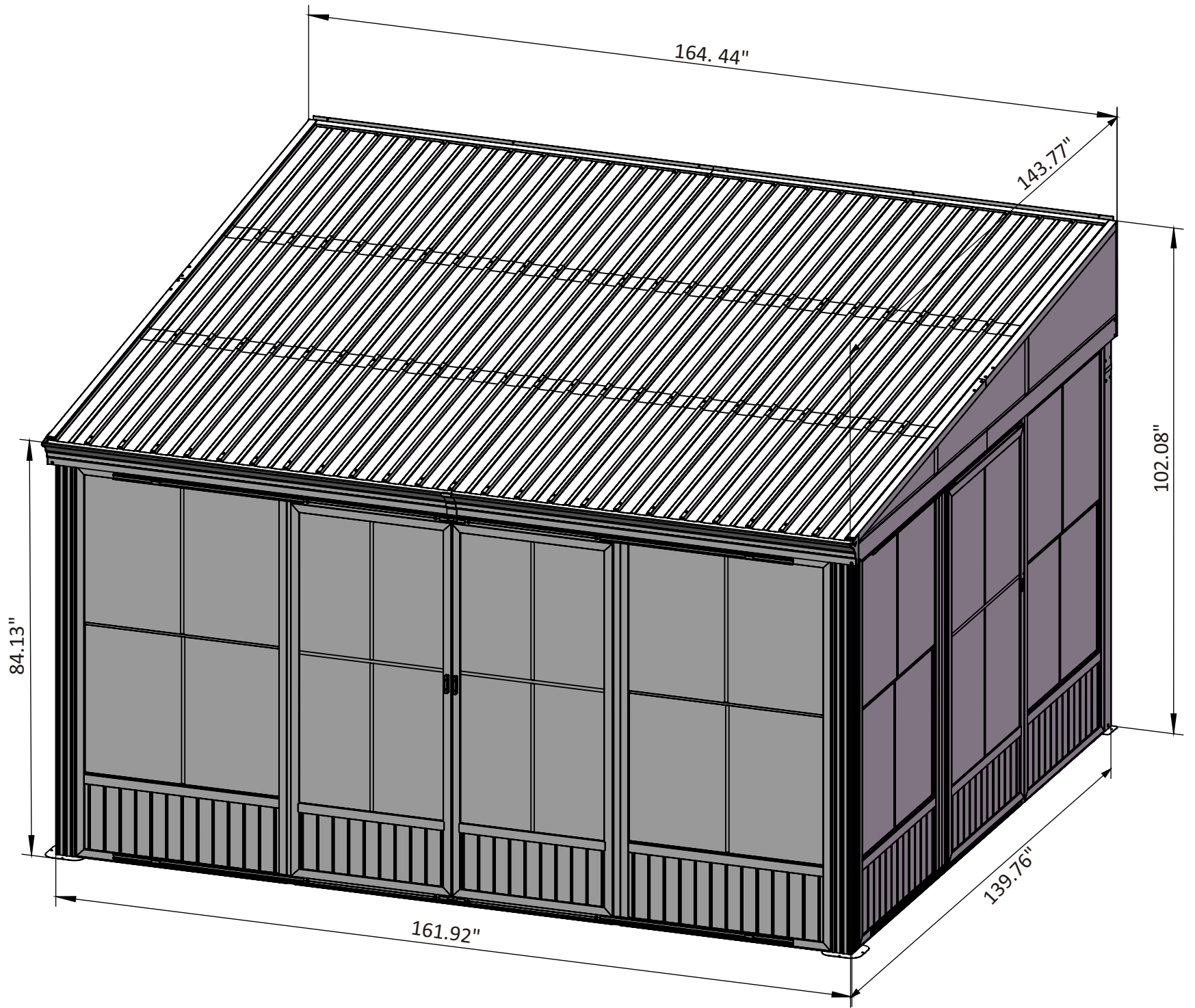
domi
outdoor living

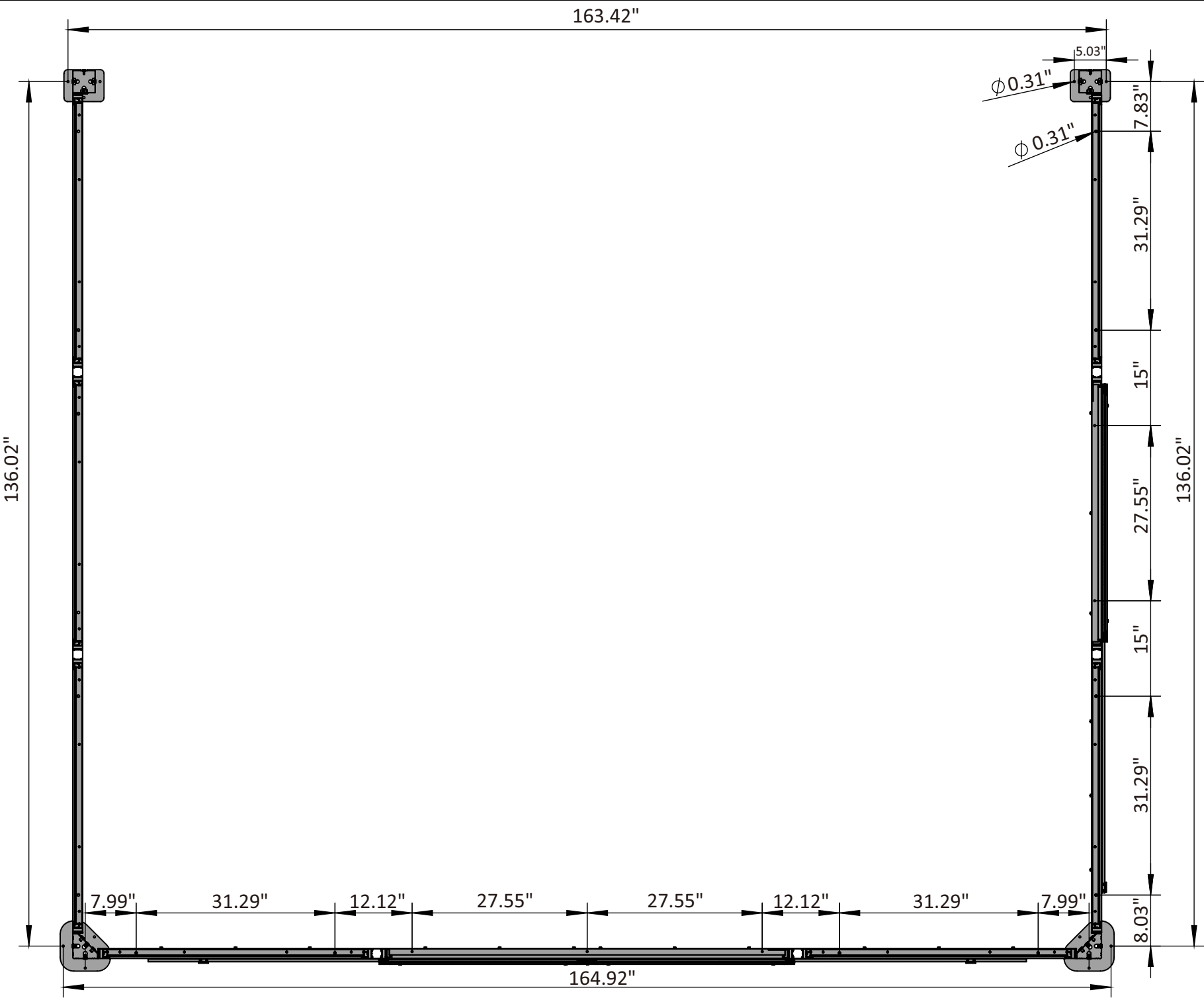


SKU:LGMF1617

Solarium Wall-Mounted
Sunroom

Assembly Manual





Thank you for your purchase of
Domi outdoor living's Sunroom

Read and follow this assembly and operation guide.

To reduce personal injury and damage to you Sunroom

We recommend a **three-person team** for assembly and disassembly.

Please **remove** snow accumulation at all times.

Please schedule enough time to complete the assembly of the sunroom.

It will takes approximately 7 hours to set up.

If you like our products, please tell other customers

If you have problem with our products, please tell us

Please feel free to contact us.

DOMI OUTDOOR LIVING

domi
outdoor living

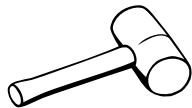
Pre-assembly

TOOLS THAT MAY BE REQUIRED (Not included in boxes)

*NOTE: Tools / equipment are not shown to actual size and scale.



LEVEL



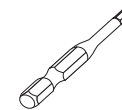
RUBBER Mallet



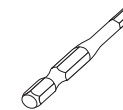
PHILLIPS SCREW



DRILL



ALLEN KEY



ALLEN KEY

EQUIPMENT REQUIRED (Not included in boxes)

*NOTE: Equipment are not shown to actual size and scale.



SAFETY HAT



GLOVES



SAFETY GOGGLES



STEPLADDER

Matters needing attention



1. Three or more people are required for assembly.



2. Do not fully tighten screws prior to complete assembly.

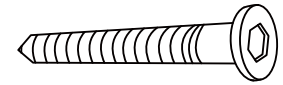
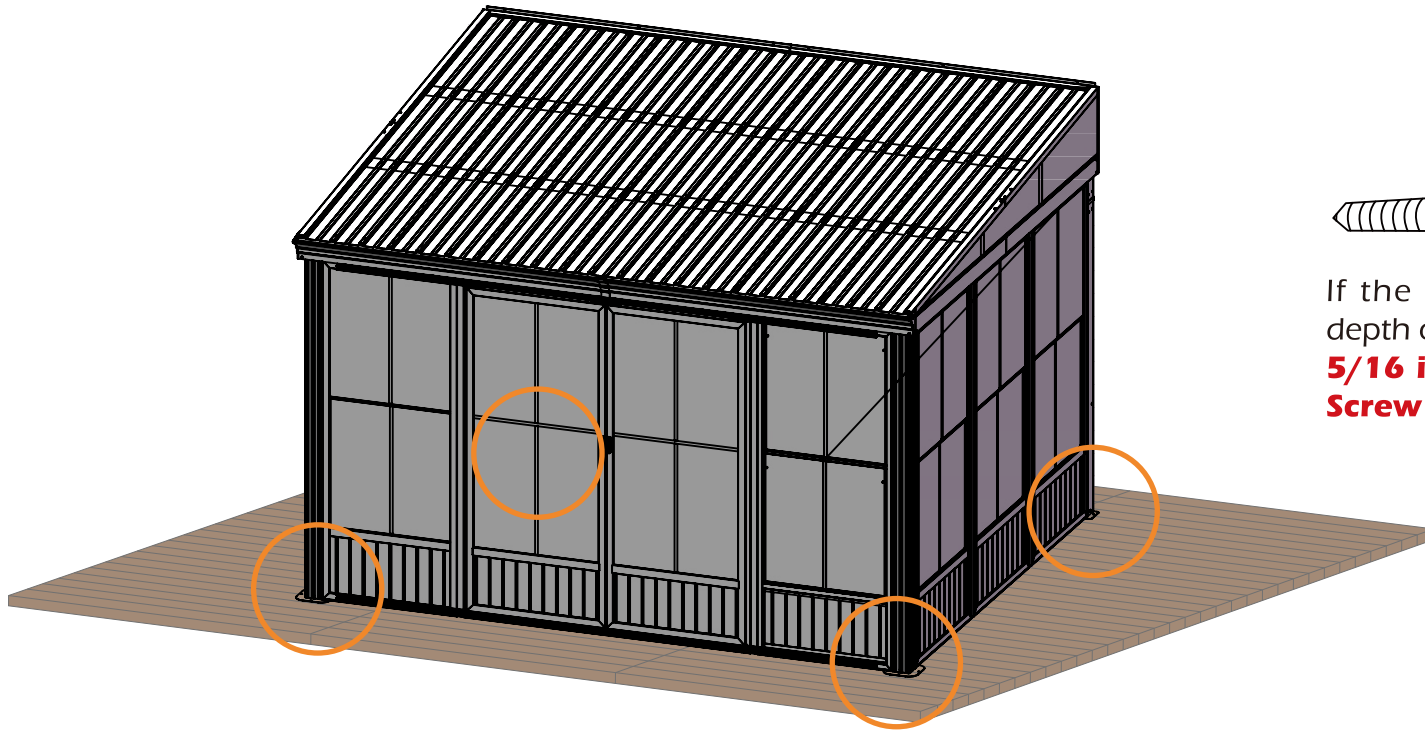
Regulation

IMPORTANT: A sunroom may entail to purchase a municipal permit or be subject to specific building codes. It is the consumer's responsibility to inform themselves of any restrictions.

Care and Cleaning:

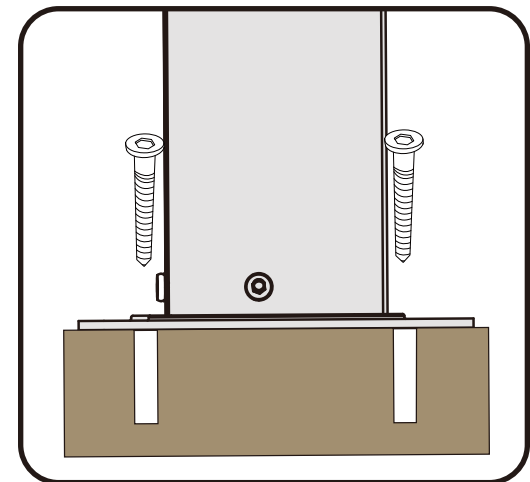
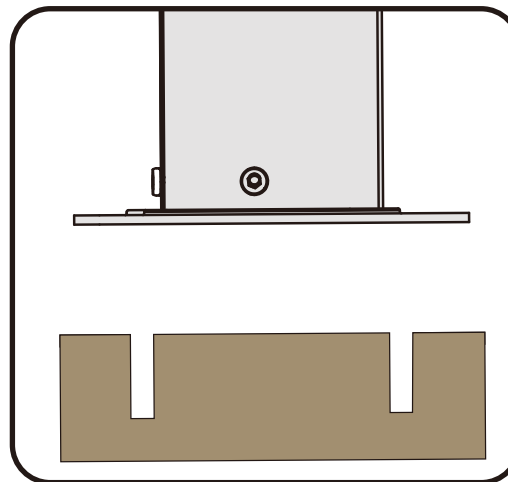
For cleaning, use a domestic soap or detergent and wash with warm water using a sponge or fabric. Rinse with clean water.

1

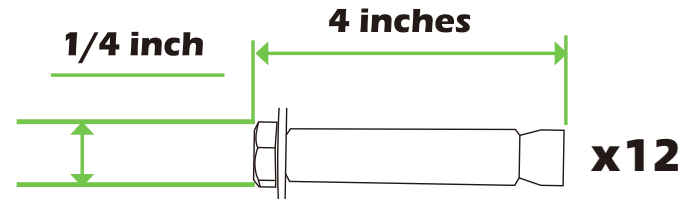
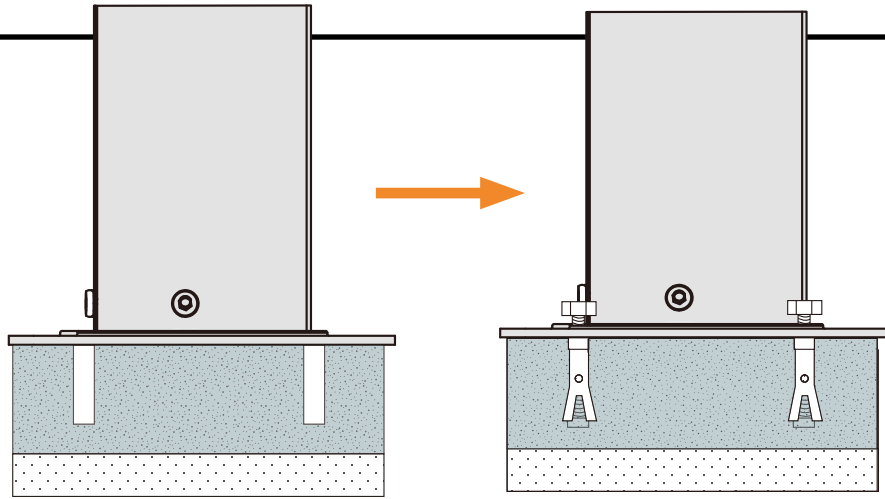


x12

If the deck is hard wood and the depth of it is over 3 inch, you can use **5/16 in. x4 in. Structural Wood Screw** to mount the pergola.

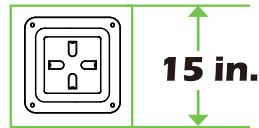
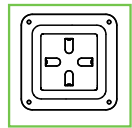


2

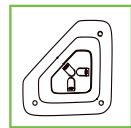


If the ground is concreted and the depth of it is over 3 inch, you can use 1/4 inch expansion bolts to mount the pergola

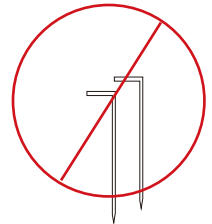
3

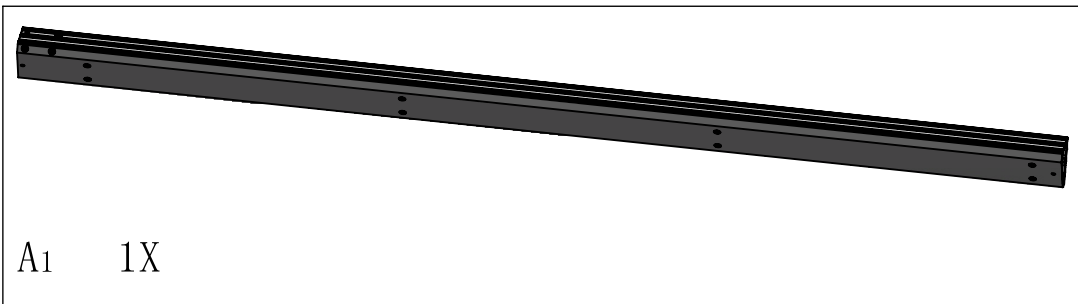


Or you can make a concrete footing for pergola, **15×15×15 inches** is recommended. use expansion bolts to mount the pergola like (2) shows.

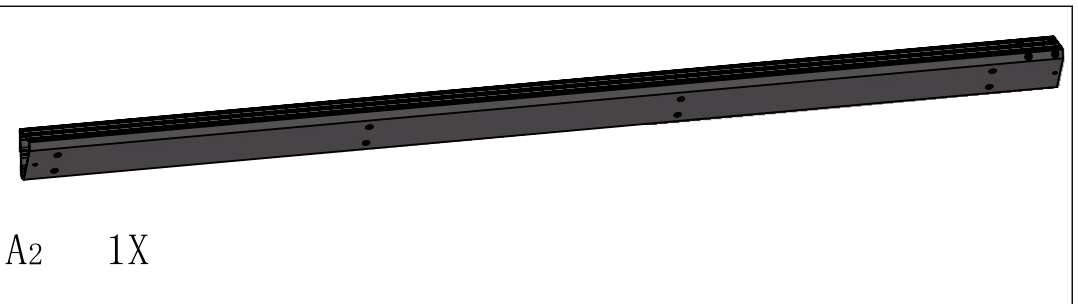


IMPORTANT:
Anchor is not recommended

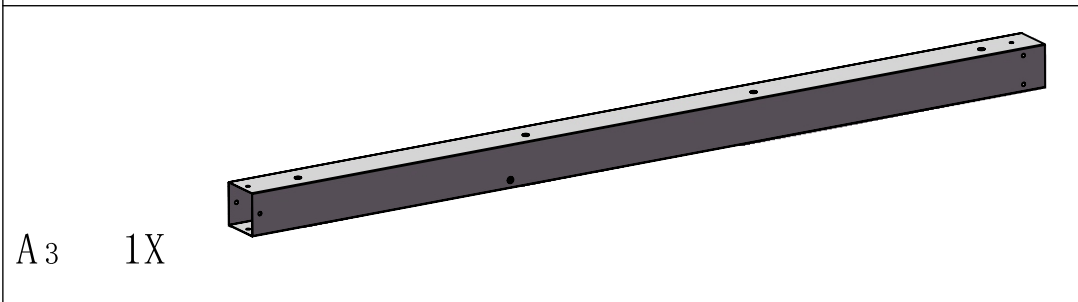




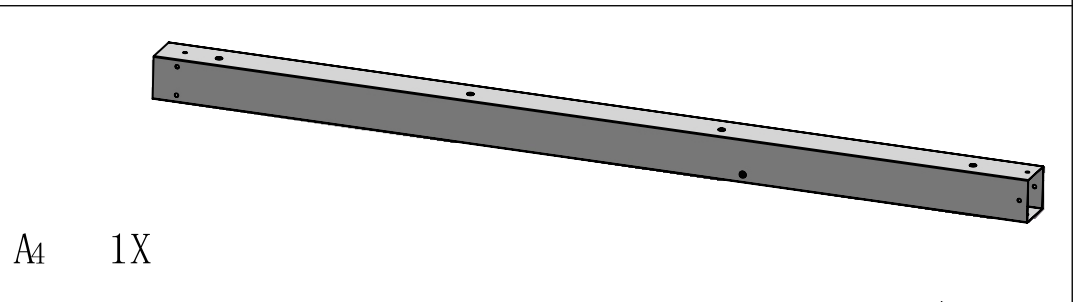
A₁ 1X



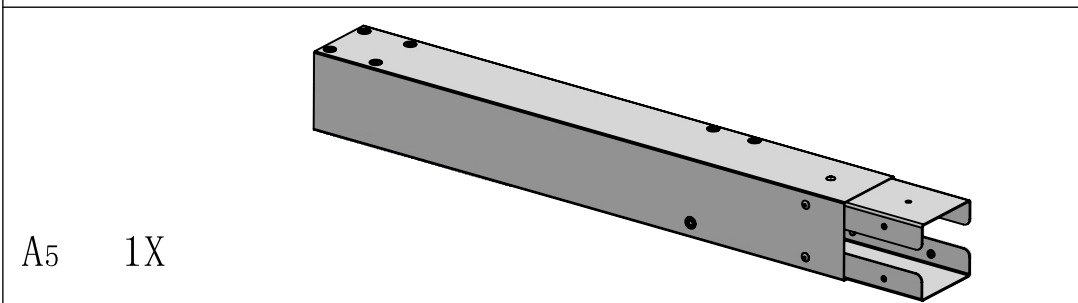
A₂ 1X



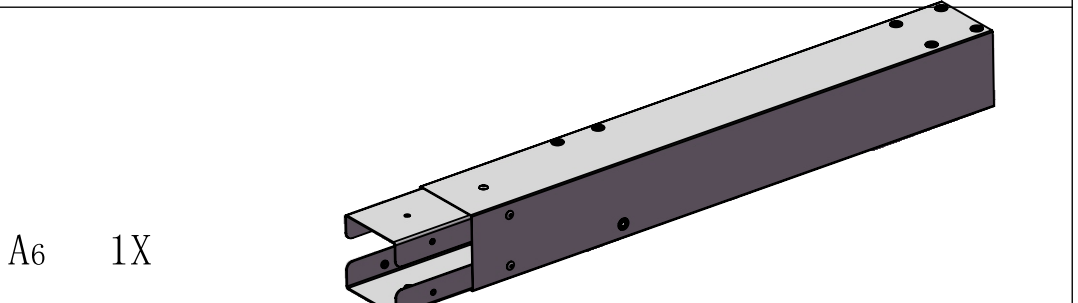
A₃ 1X



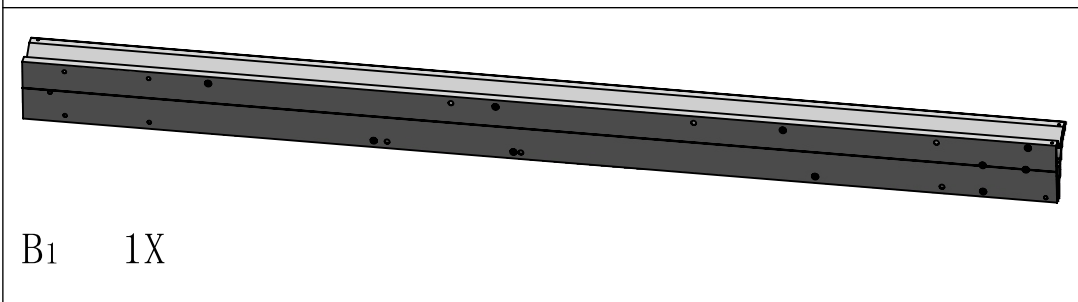
A₄ 1X



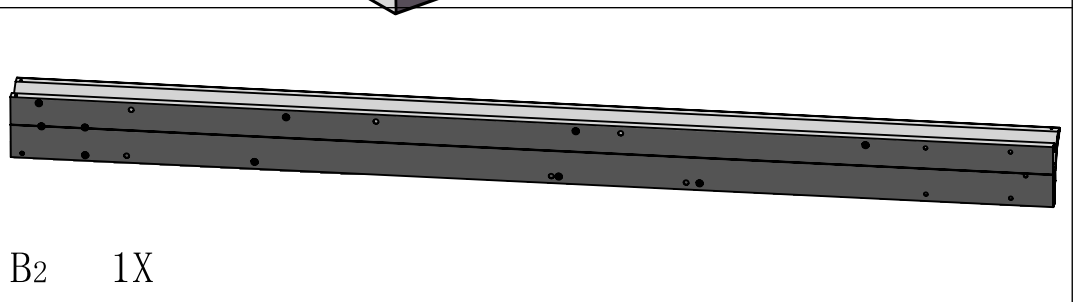
A₅ 1X



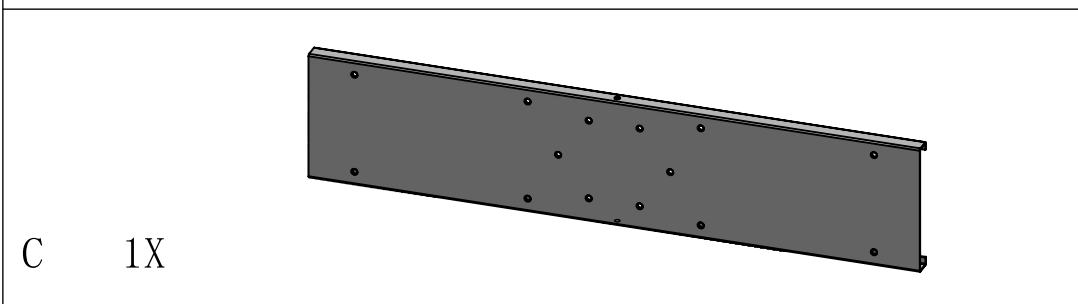
A₆ 1X



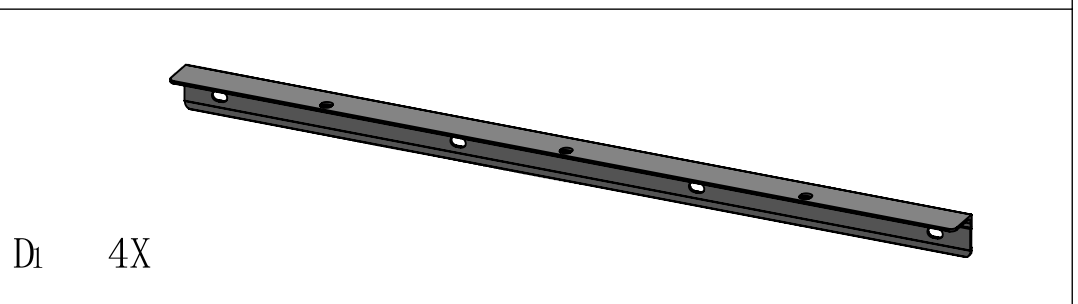
B₁ 1X



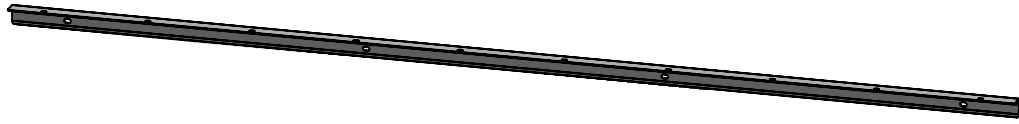
B₂ 1X



C 1X



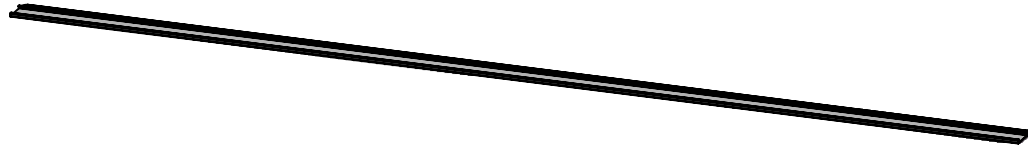
D₁ 4X



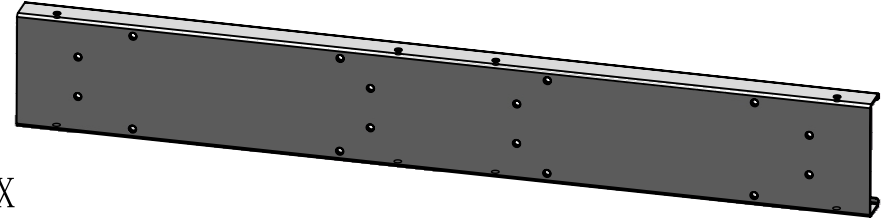
D₂ 8X



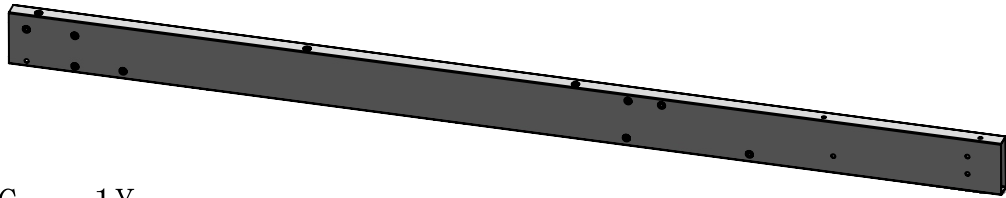
E₁ 4X



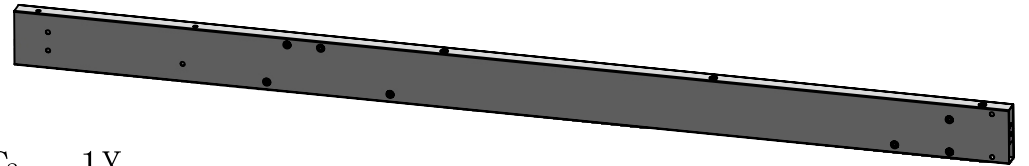
E₂ 2X



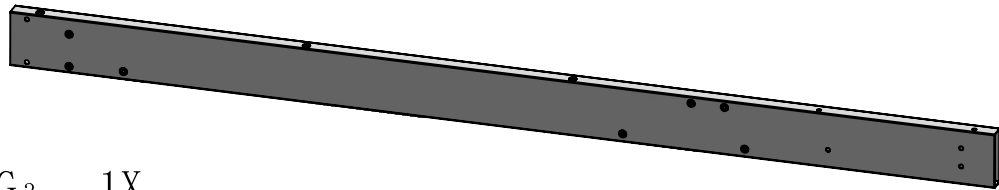
F 5X



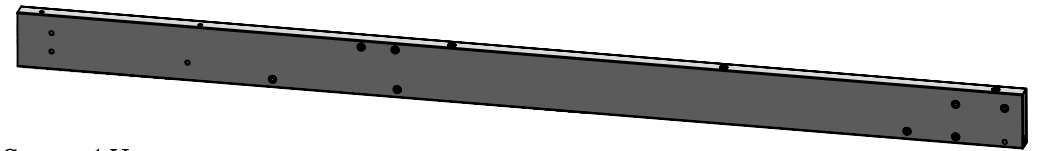
G₁ 1X



G₂ 1X



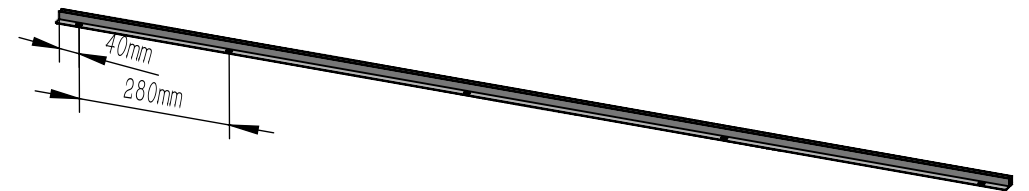
G₃ 1X



G₄ 1X



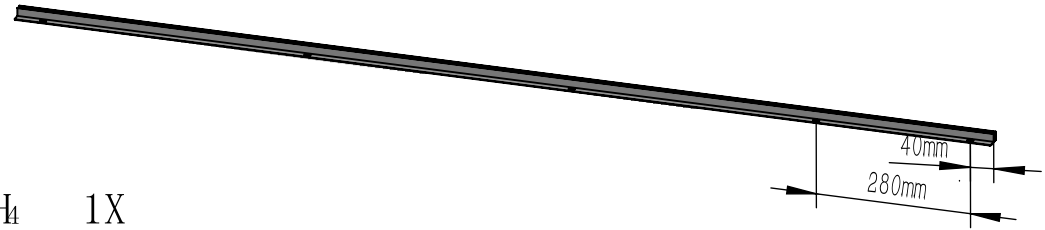
H₁ 1X



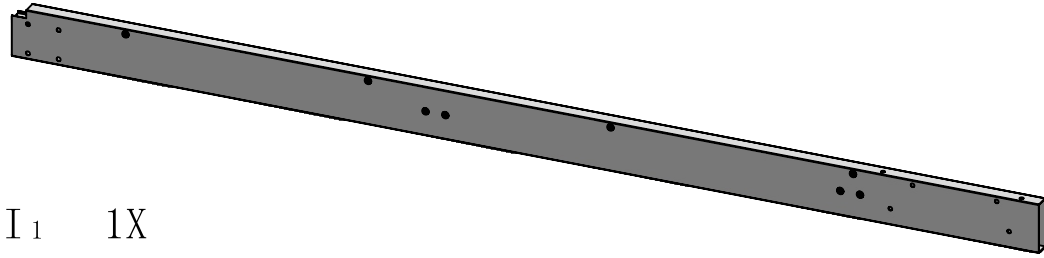
H₂ 1X



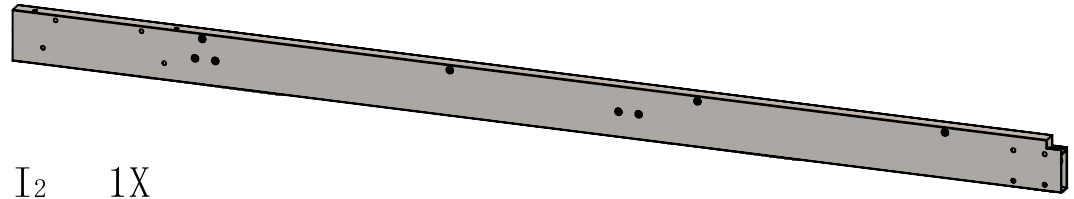
H₃ 1X



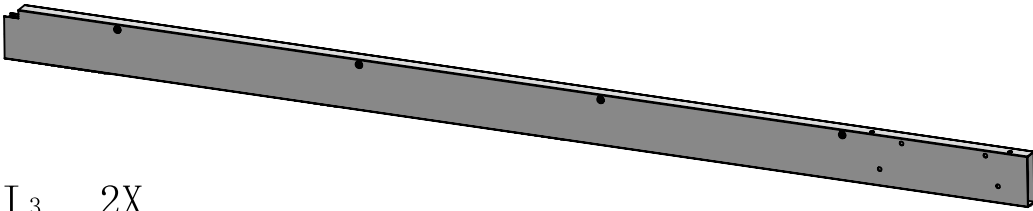
H₄ 1X



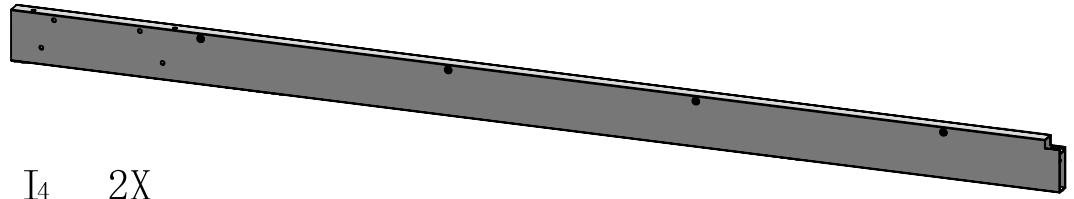
I₁ 1X



I₂ 1X



I₃ 2X



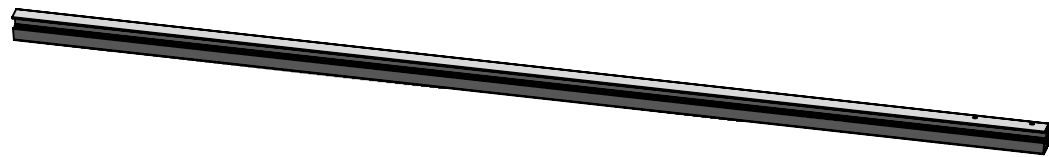
I₄ 2X



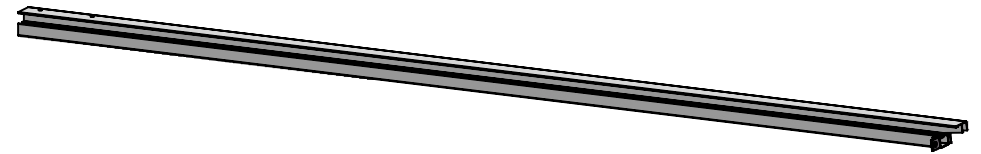
J₁ 1X



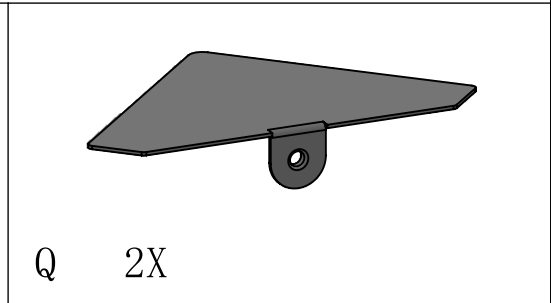
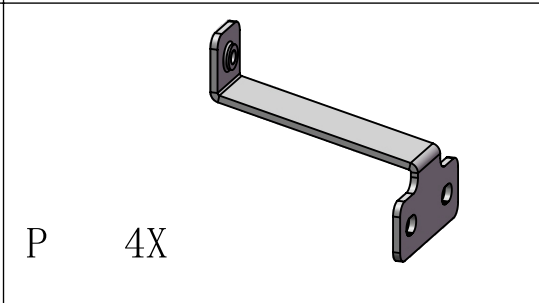
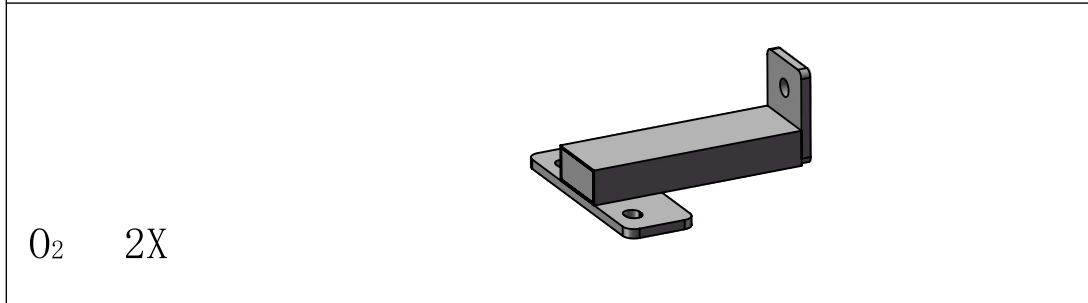
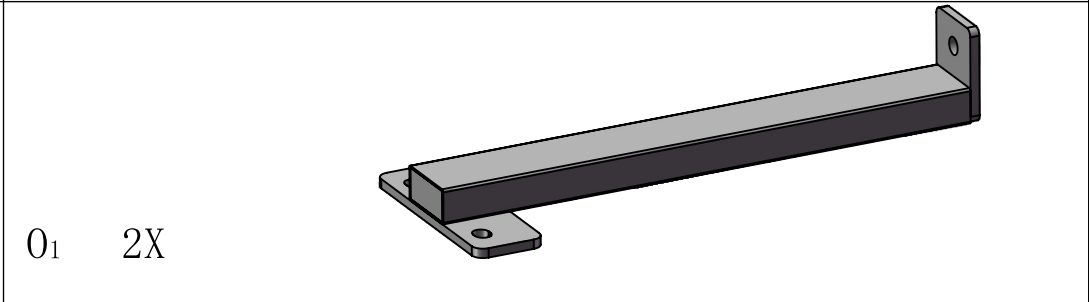
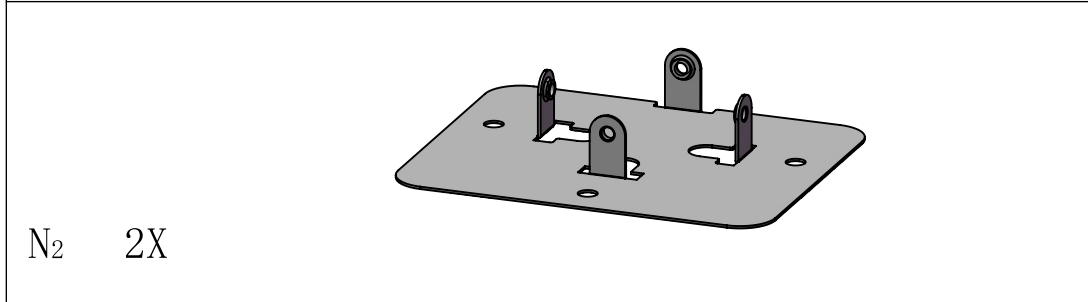
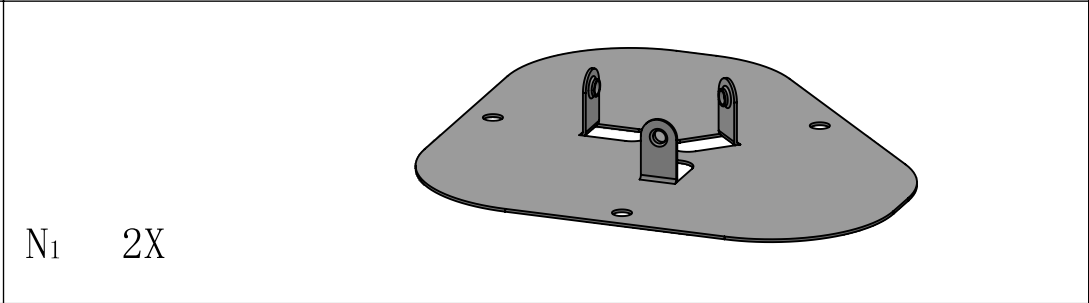
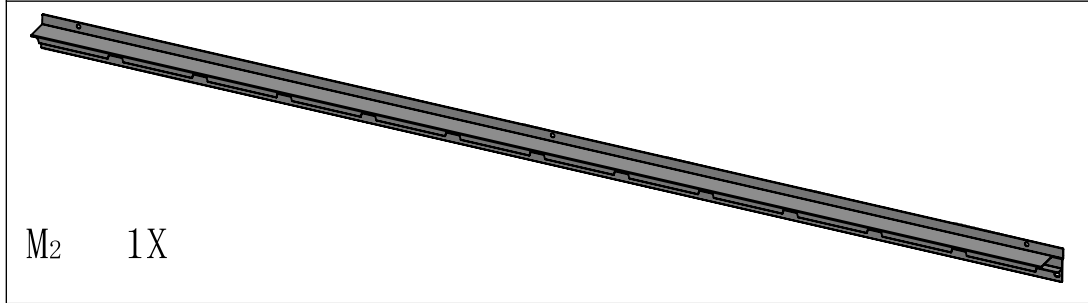
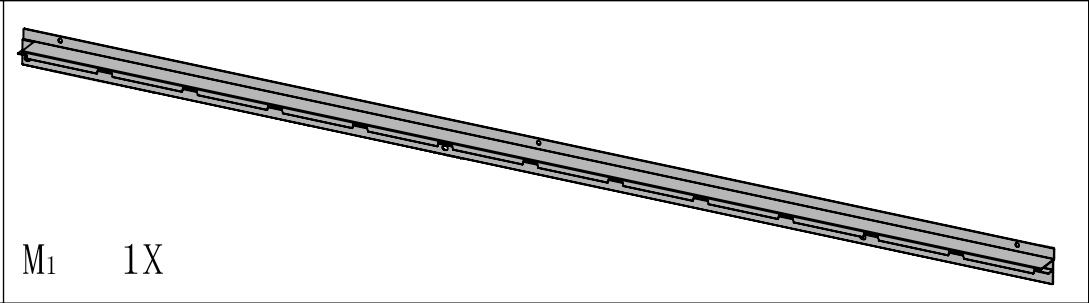
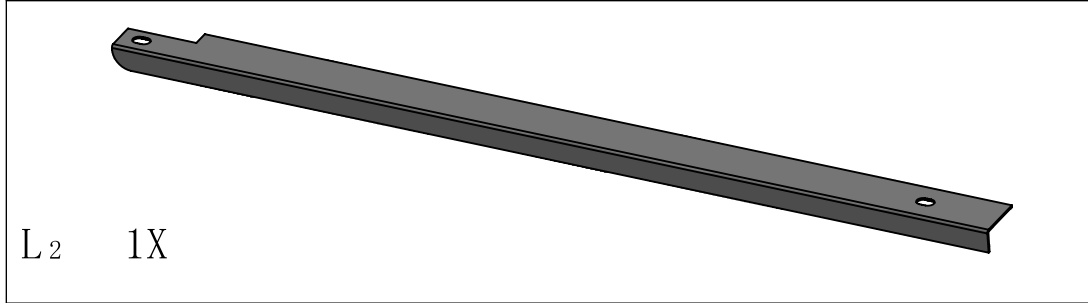
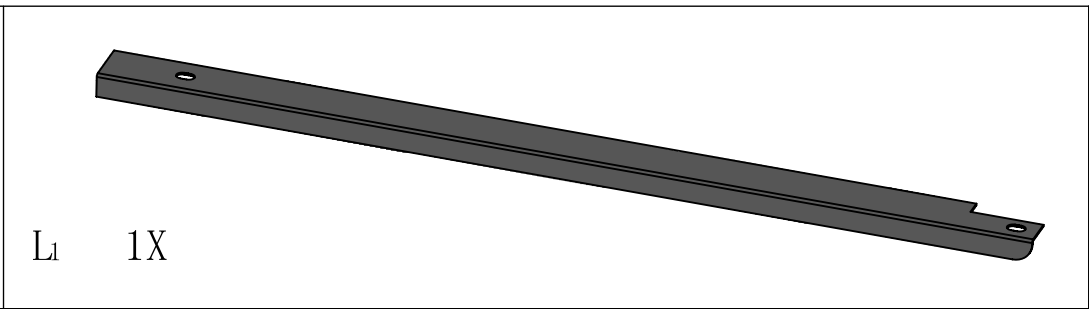
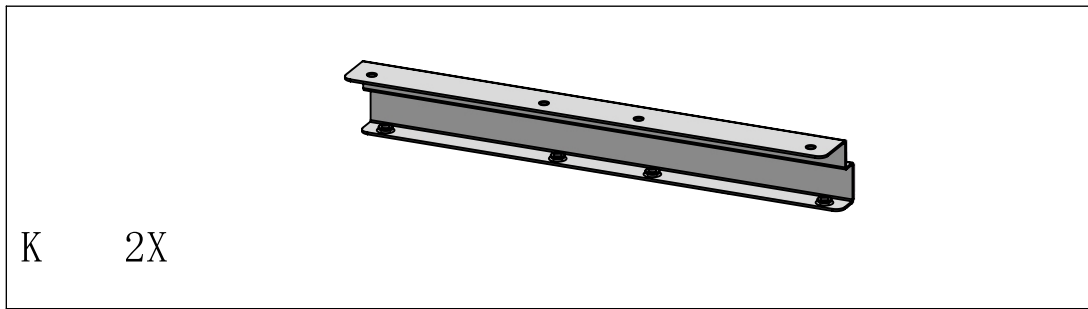
J₂ 1X

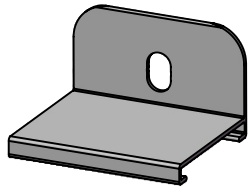


J₃ 1X

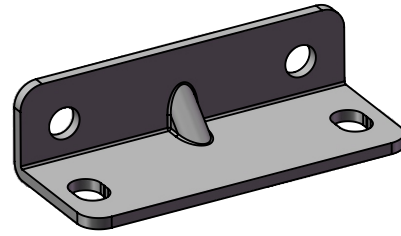


J₄ 1X

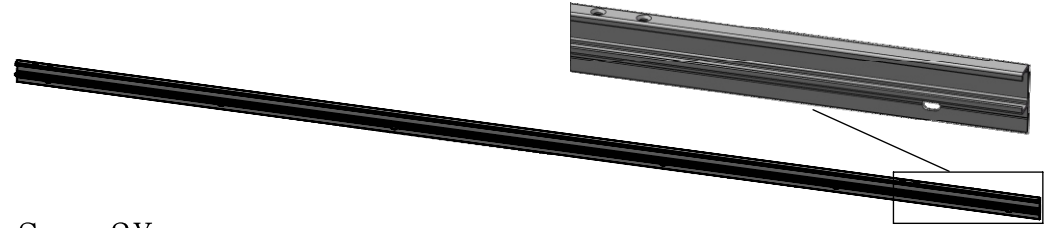




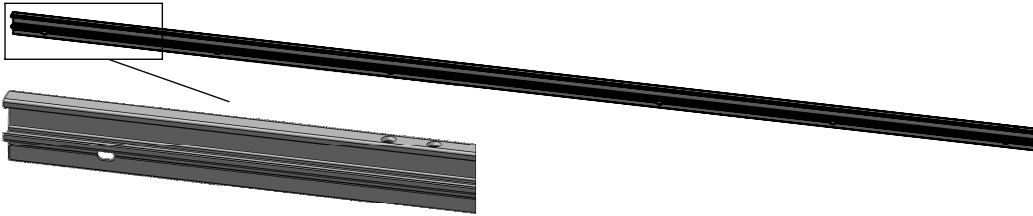
R₁ 20X



R₂ 6X



S₁ 2X



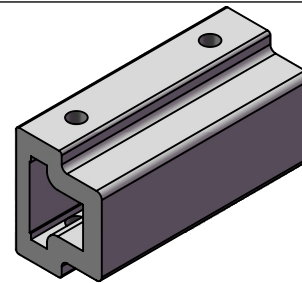
S₂ 2X



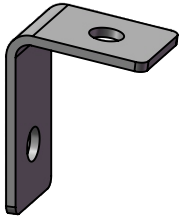
S₃ 1X



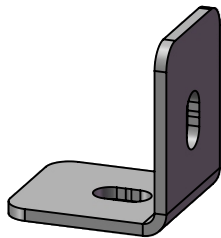
S₄ 1X



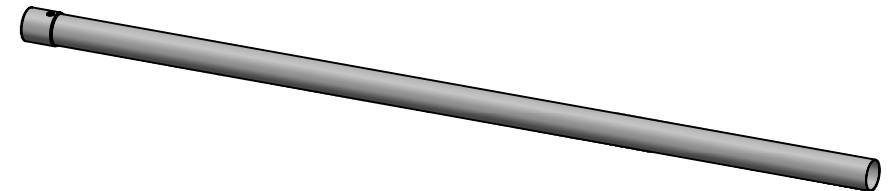
S₅ 12X



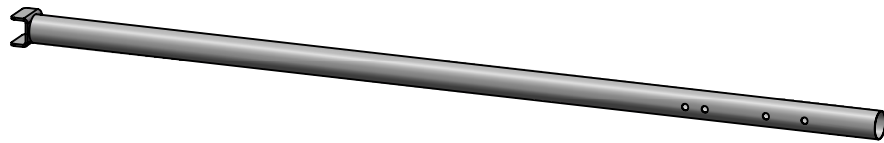
T₁ 6X



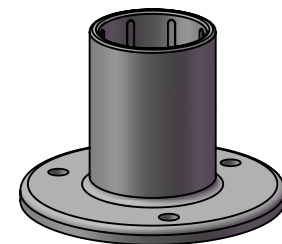
T₂ 4X



U₁ 2X

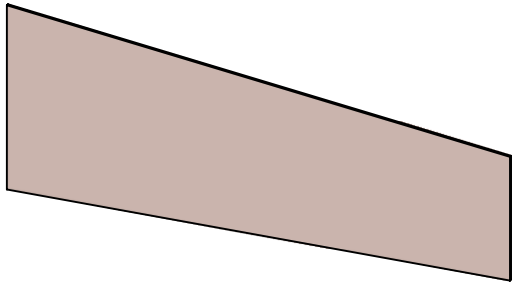


U₂ 2X

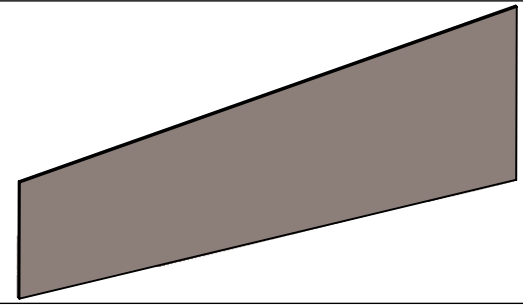


U₃ 2X

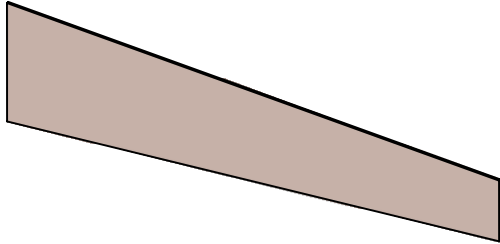
V₁ 1X



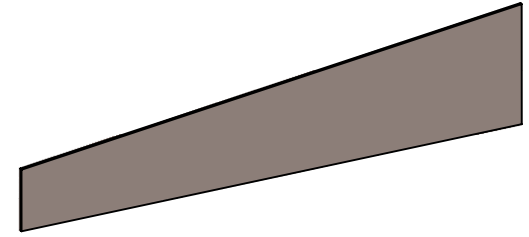
V₂ 1X



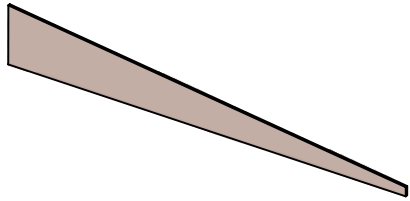
V₃ 1X



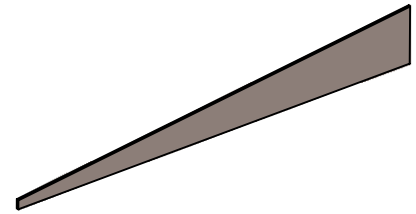
V₄ 1X



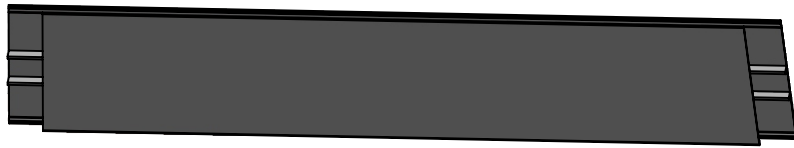
V₅ 1X



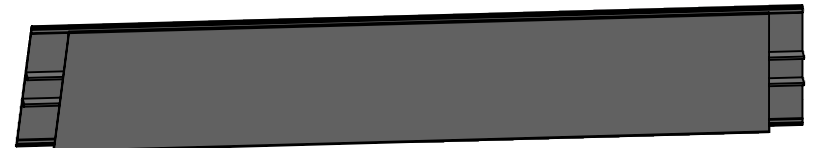
V₆ 1X



V₇ 1X



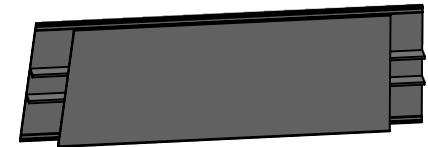
V₈ 1X

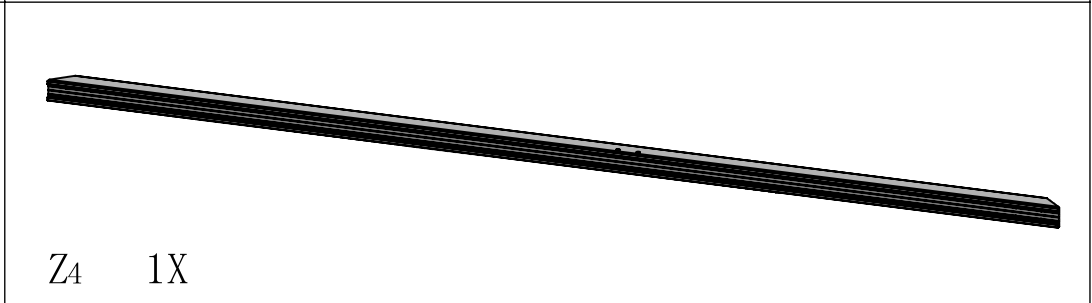
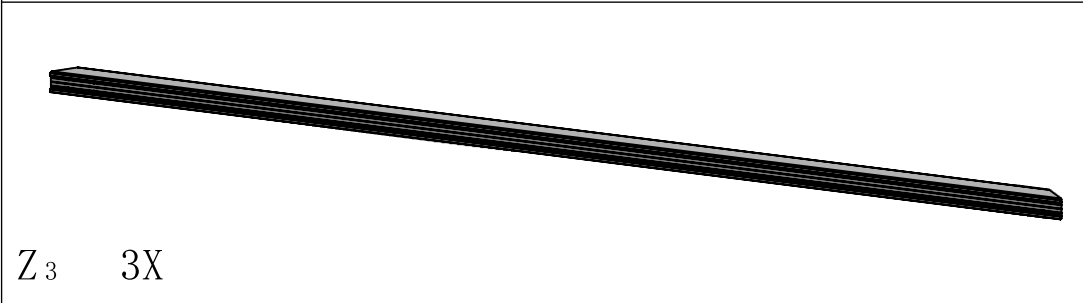
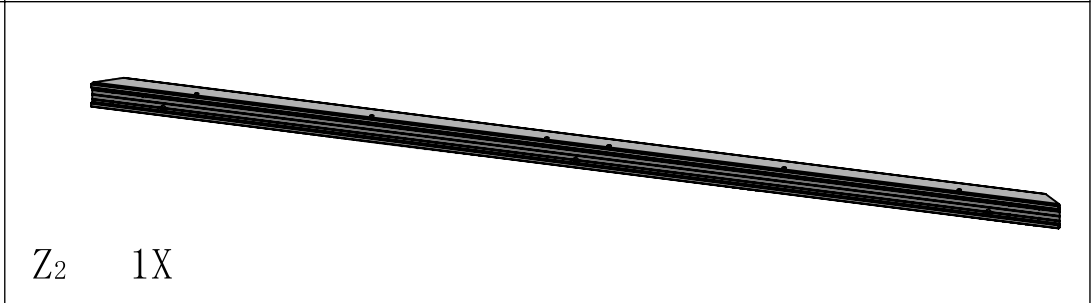
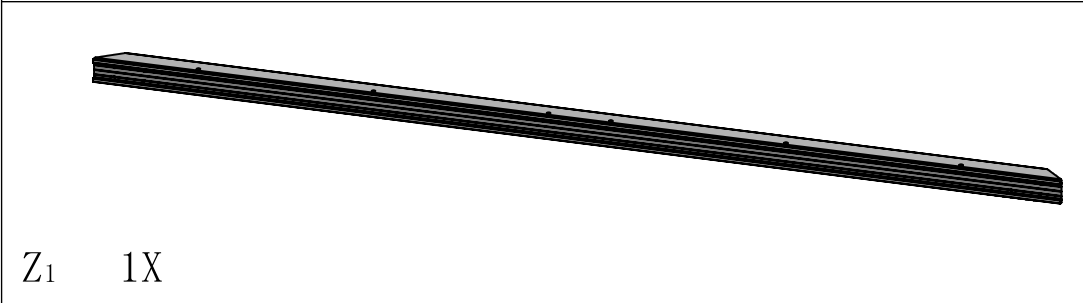
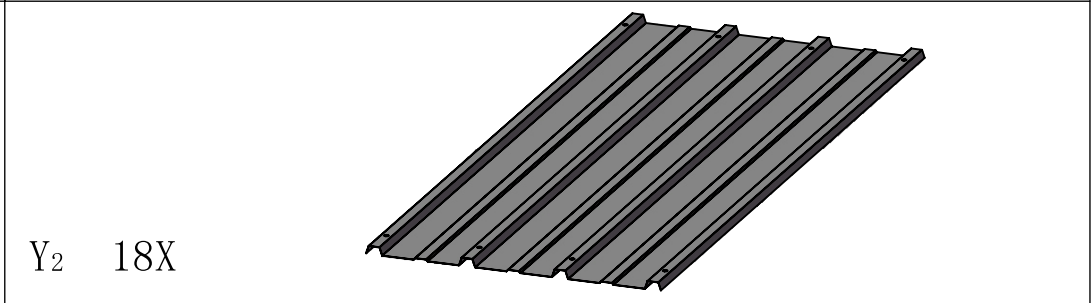
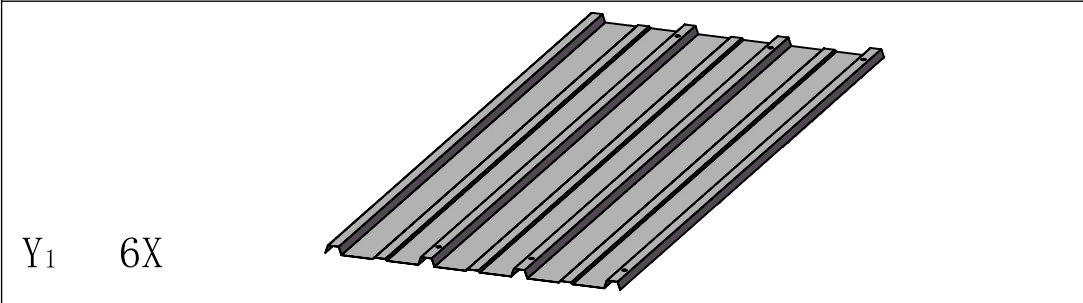
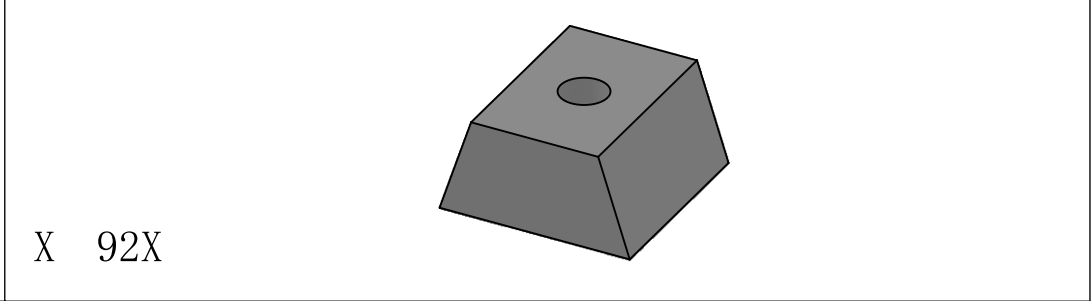
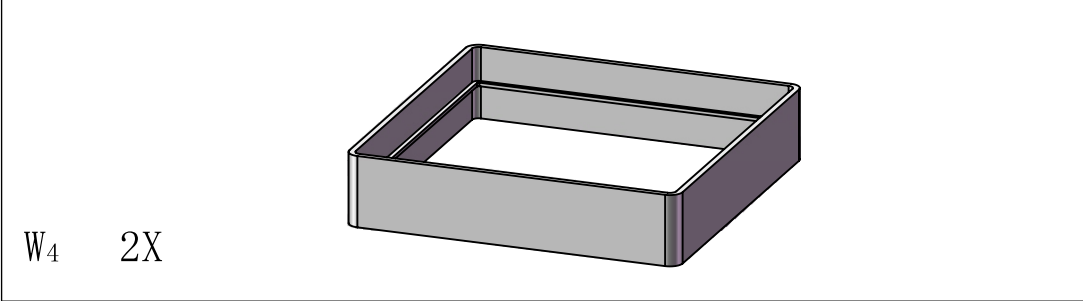
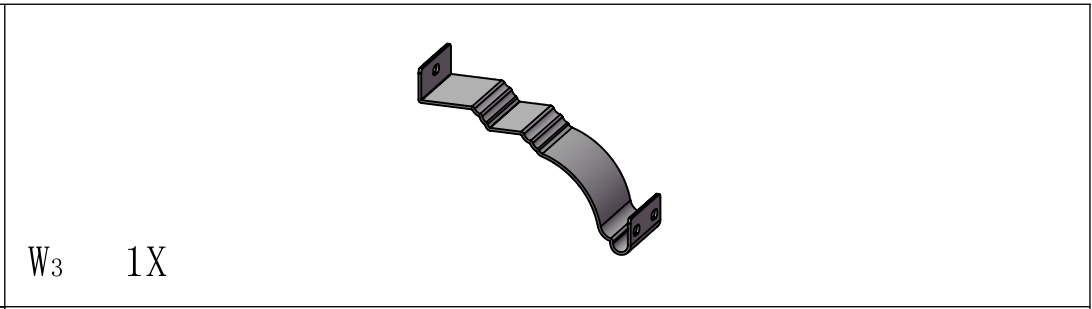
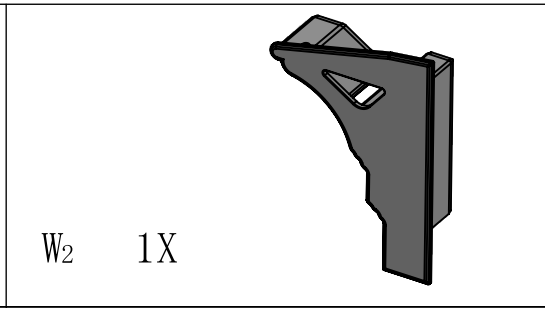
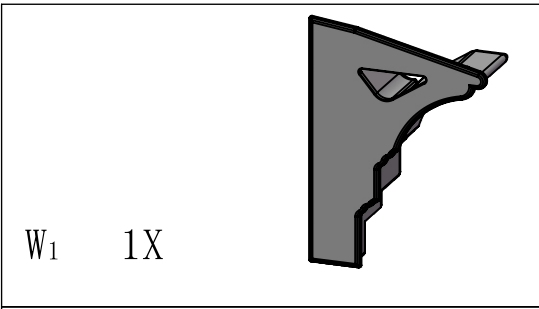


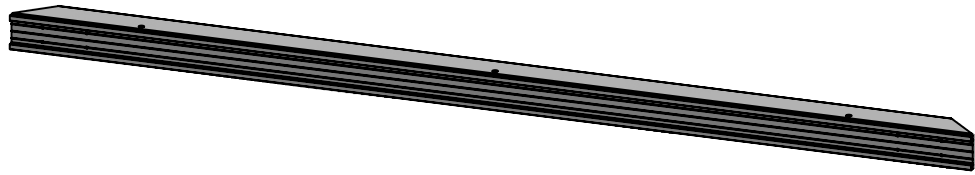
V₉ 1X



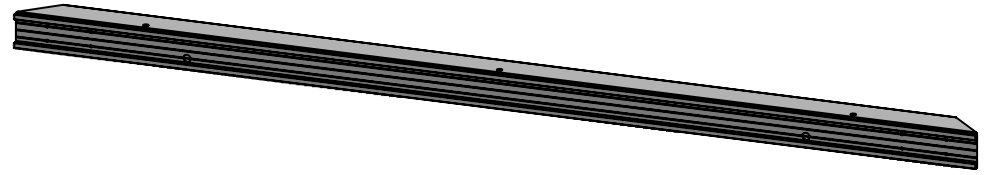
V₁₀ 1X



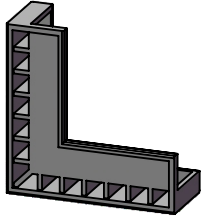




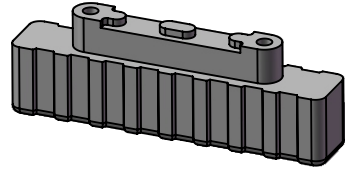
Z₅ 1X



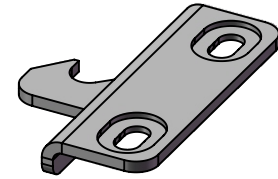
Z₆ 1X



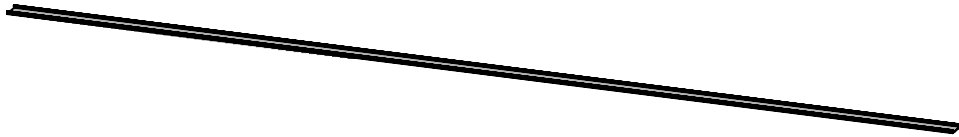
Z₇ 8X



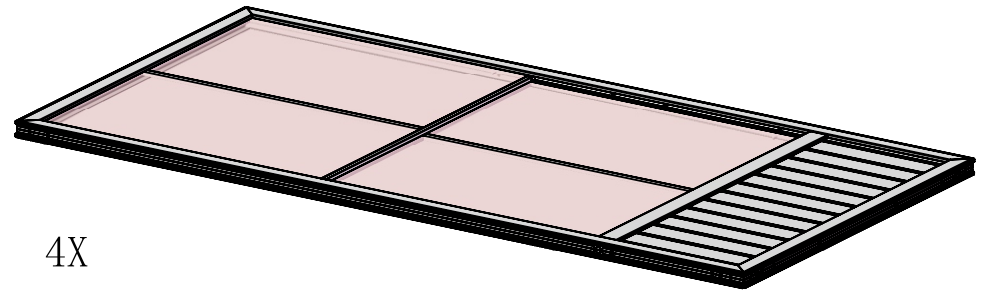
Z₈ 4X



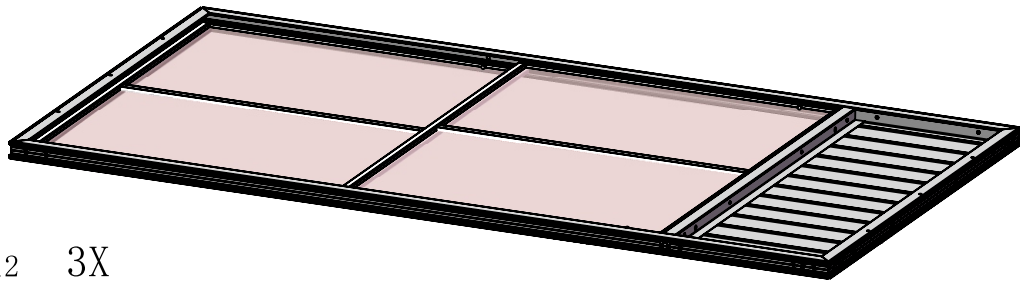
Z₉ 1X



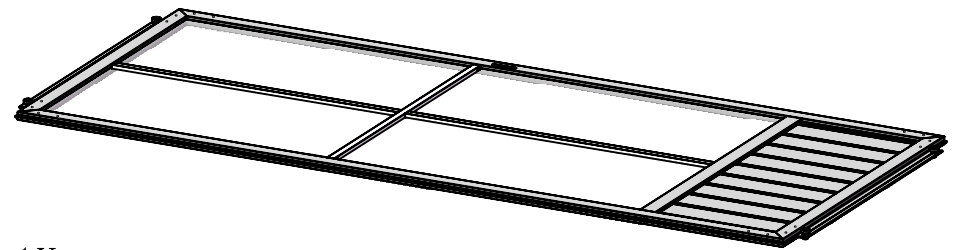
Z₁₀ 12X



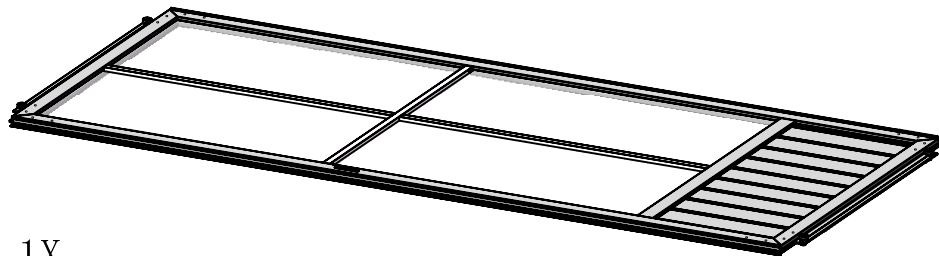
Z₁₁ 4X



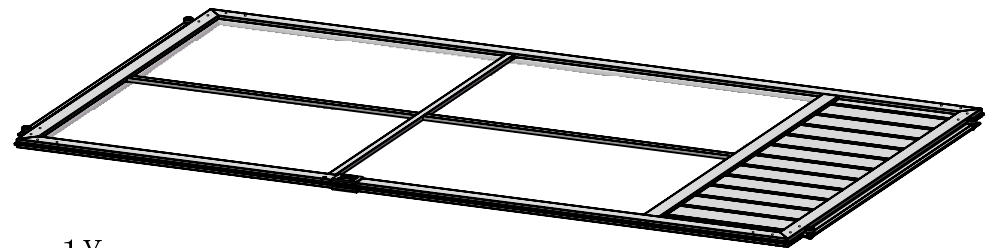
Z₁₂ 3X



Z₁₃ 1X


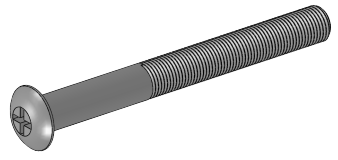


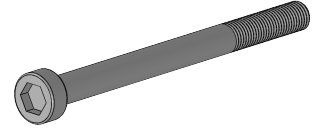
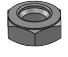
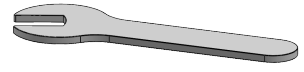
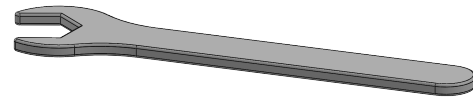
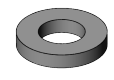
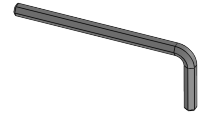


Z₁₄ 1X



Z₁₅ 1X

 1# 8 ST4.8*13	 2# 19 M5*12	 3# 64 ST3.5*13
 4# 276 M6*16	 5# 92 M6*28	 6# 8 M6*40
 7# 2 M6*12(L20)	 8# 6 M6*15(L30)	 9# 10 ST6*70
 10# 10	 11# 92 M6	 12# 2 M8*60
 13# 2 M8	 14# 2 M8	 15# 2

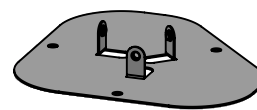
<p>16# 24</p>  <p>S3.5*19</p>	<p>17# 36</p>  <p>M5*48</p>	<p>18# 36</p>  <p>M5</p>
<p>19# 36</p>  <p>M5</p>	<p>20# 4</p>  <p>M4*50</p>	<p>21# 4</p>  <p>M4</p>
<p>22# 1</p>  <p>S8</p>	<p>23# 1</p>  <p>S13</p>	<p>24# 1</p>  <p>S4</p>
<p>25# 92</p>  <p>D12/d6. 2*H2</p>	<p>26# 1</p>  <p>S3</p>	



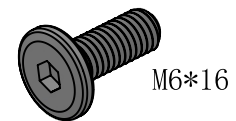
A1 1X



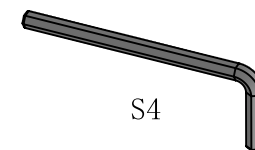
A2 1X



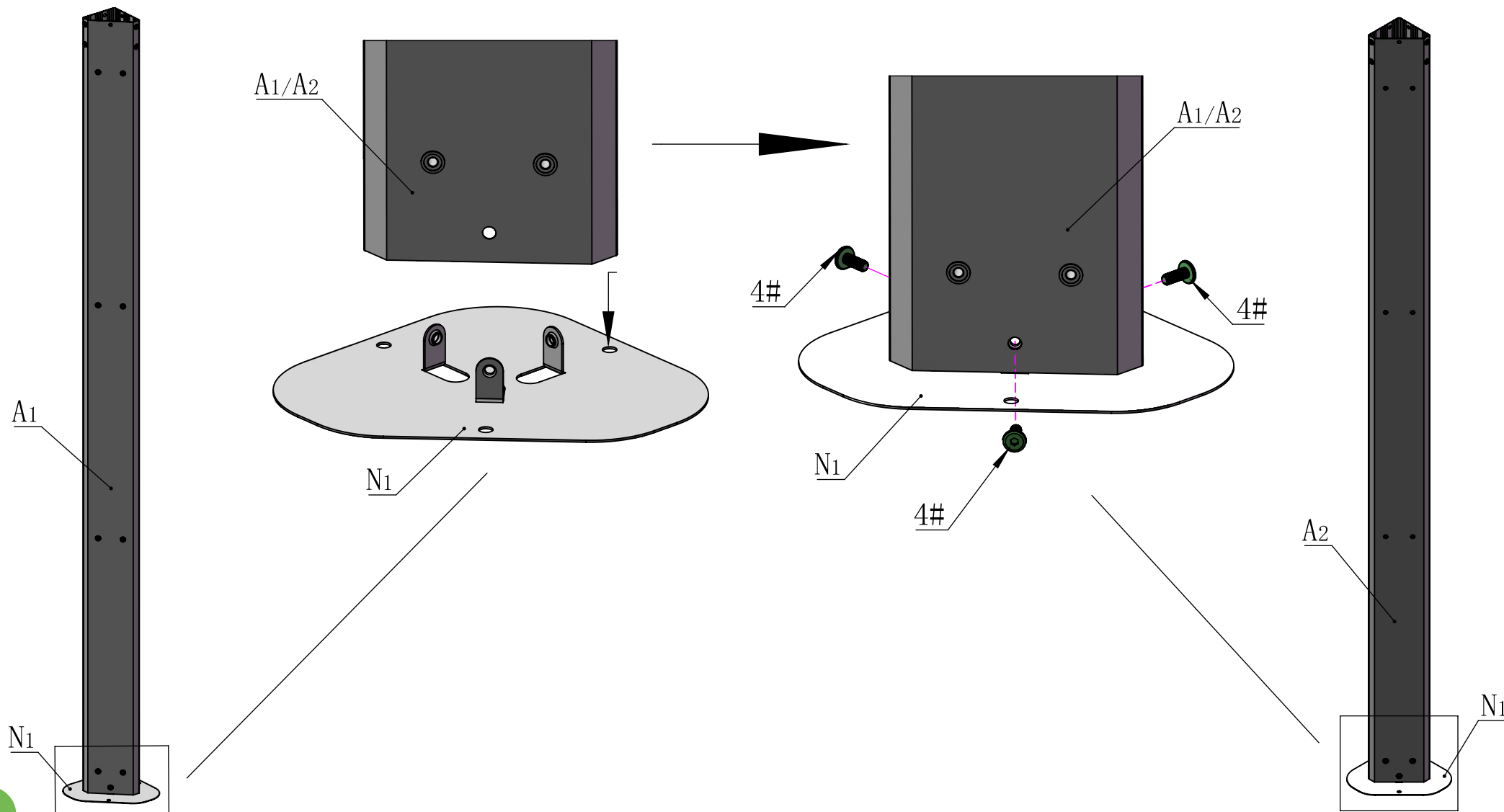
N1 2X

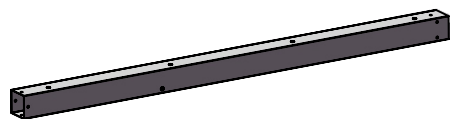


4# 6X

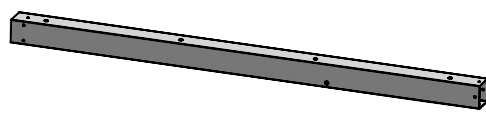


24# 1X

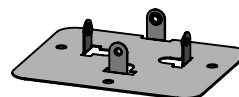




A3 1X



A4 1X

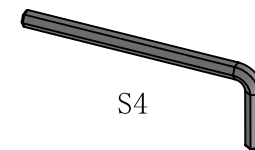


N2 2X



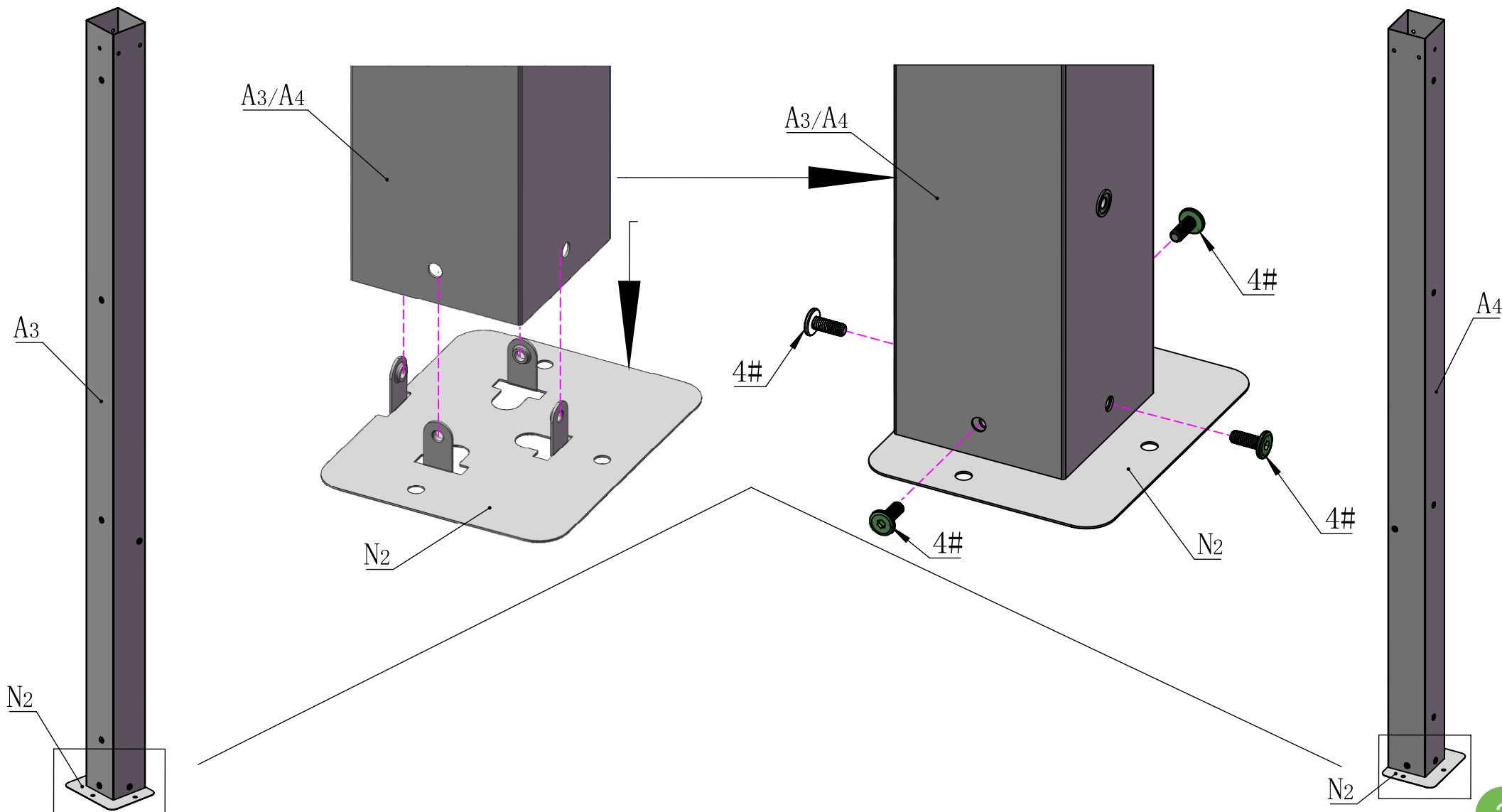
M6*16

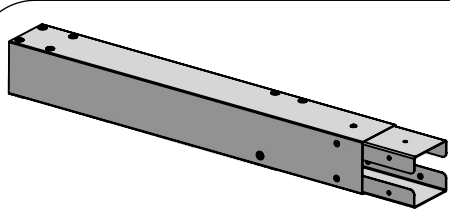
4# 8X



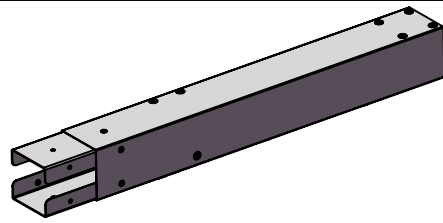
S4

24# 1X

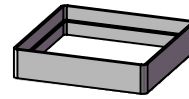




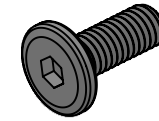
A5 1X



A6 1X

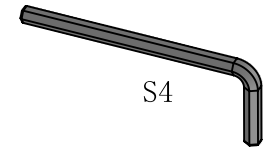


W4 2X



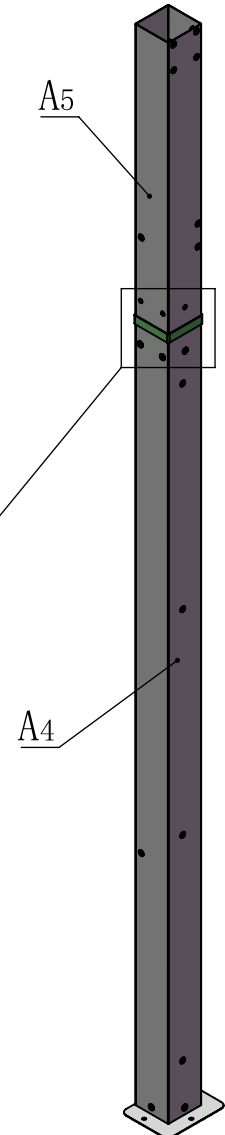
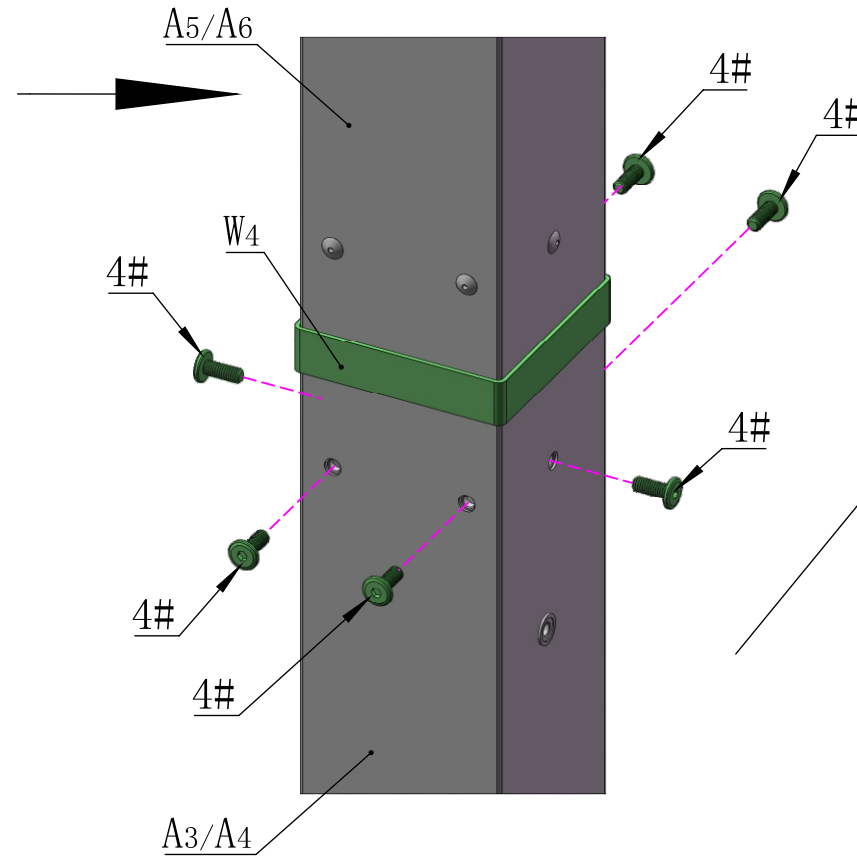
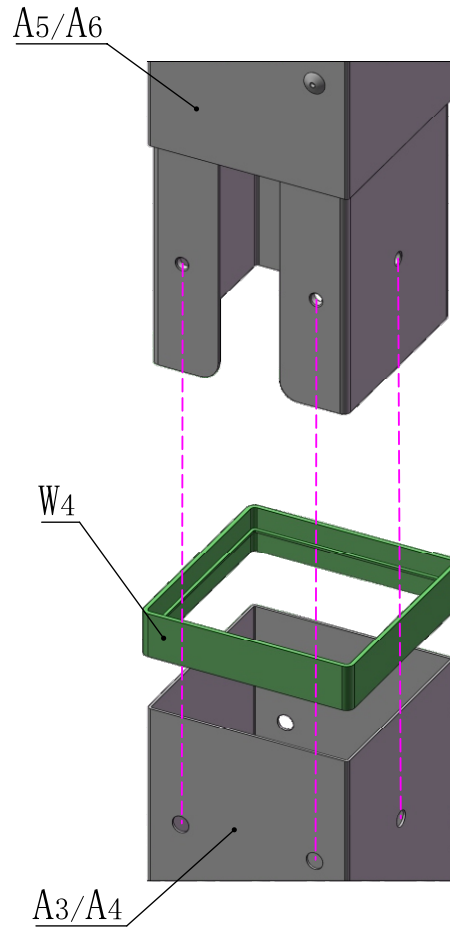
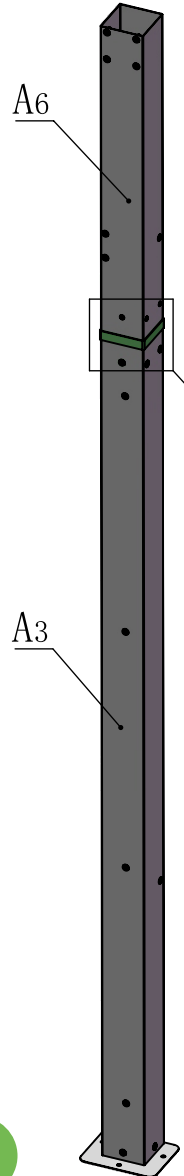
M6*16

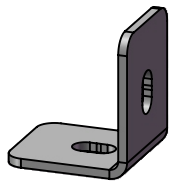
4# 12X



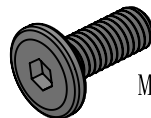
S4

24# 1X

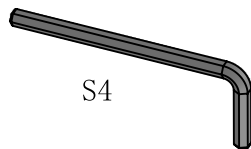




T2 4X

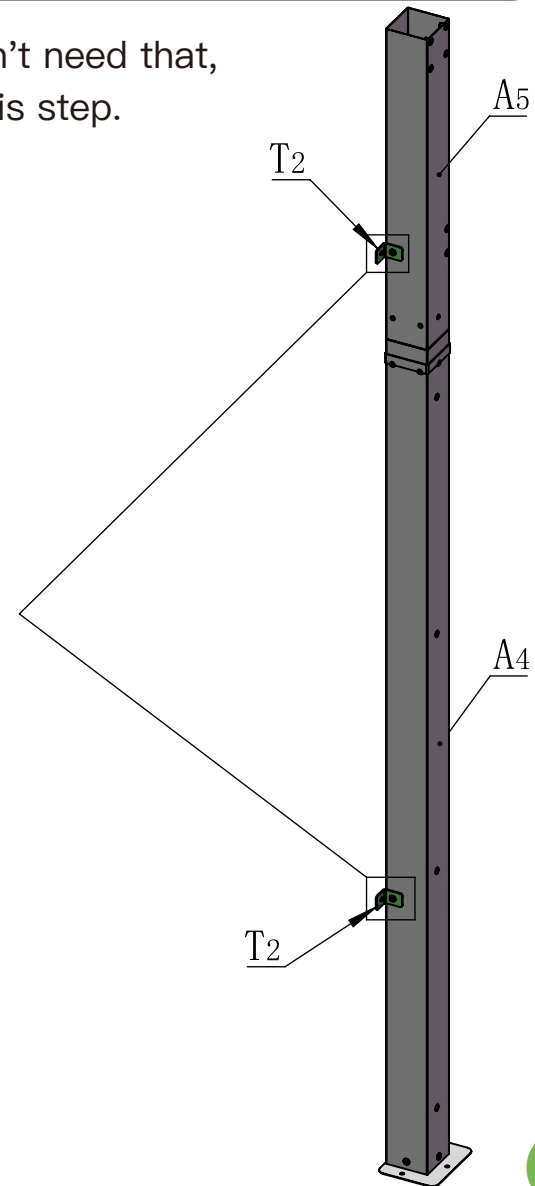
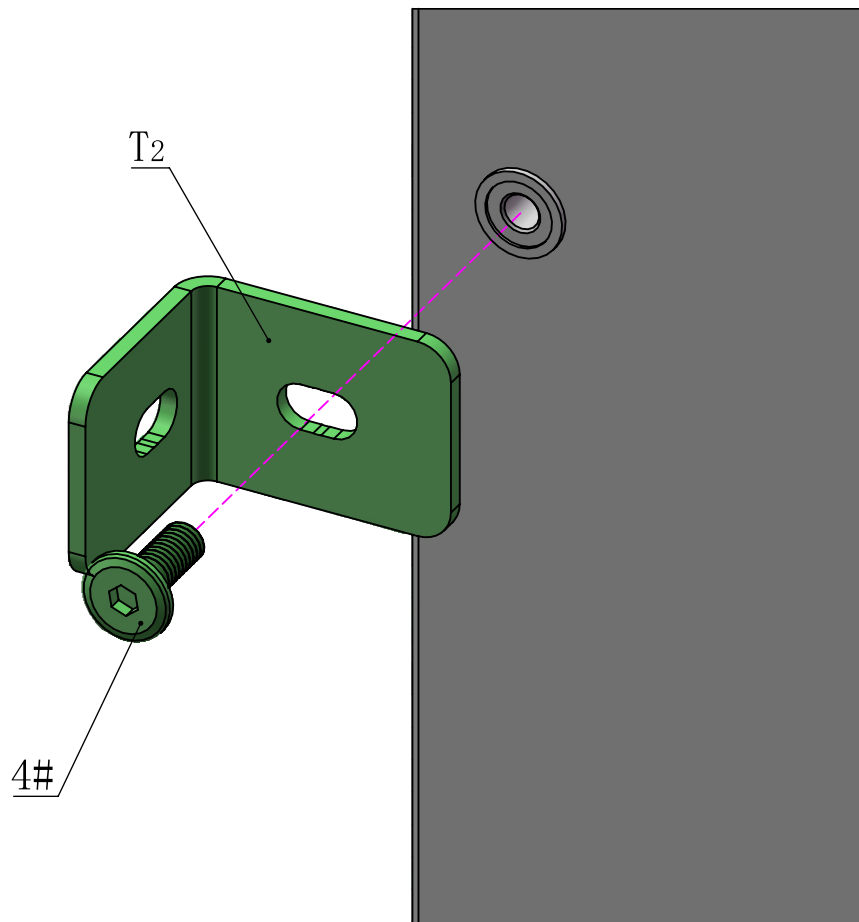
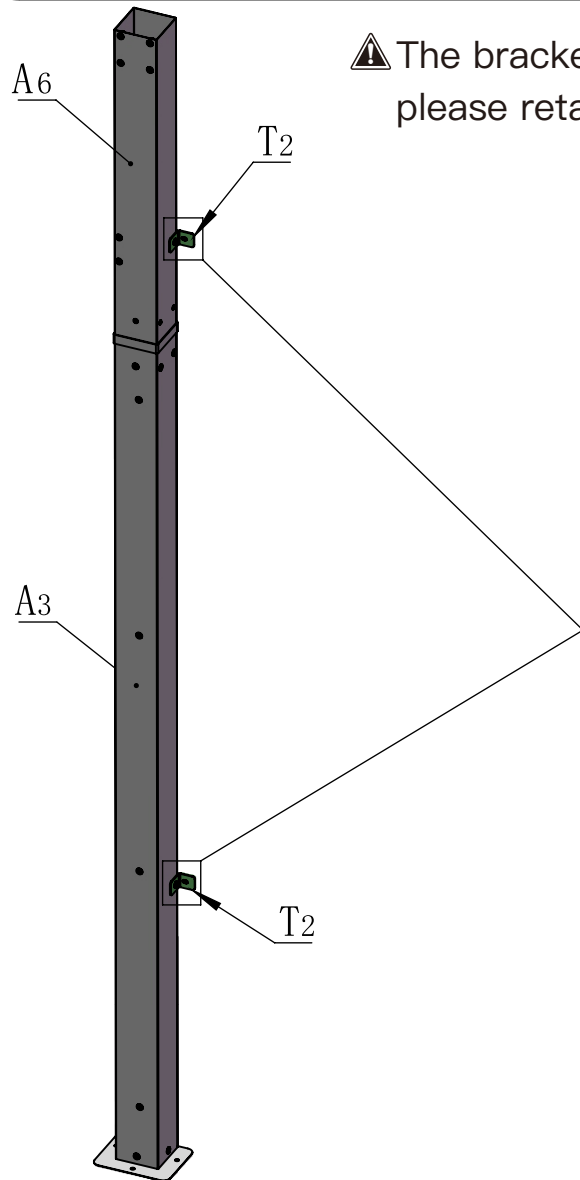


4# 4X

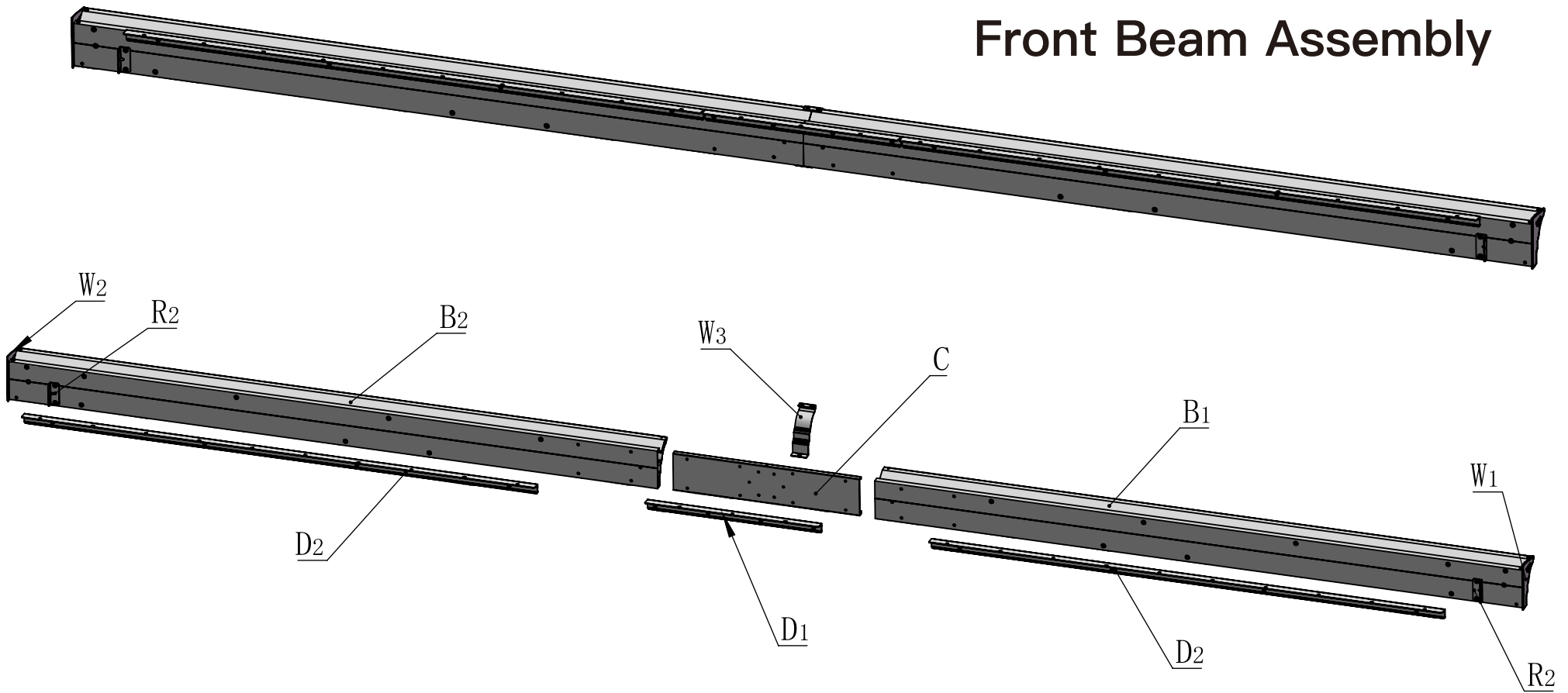


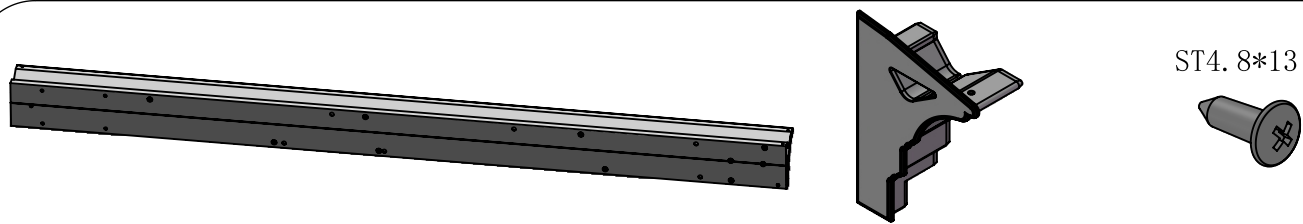
S4
24# 1X

⚠ The bracket #2 is used to fix the post against the wall. If you don't need that, please retain for future use. If you don't need this, please skip this step.



Front Beam Assembly

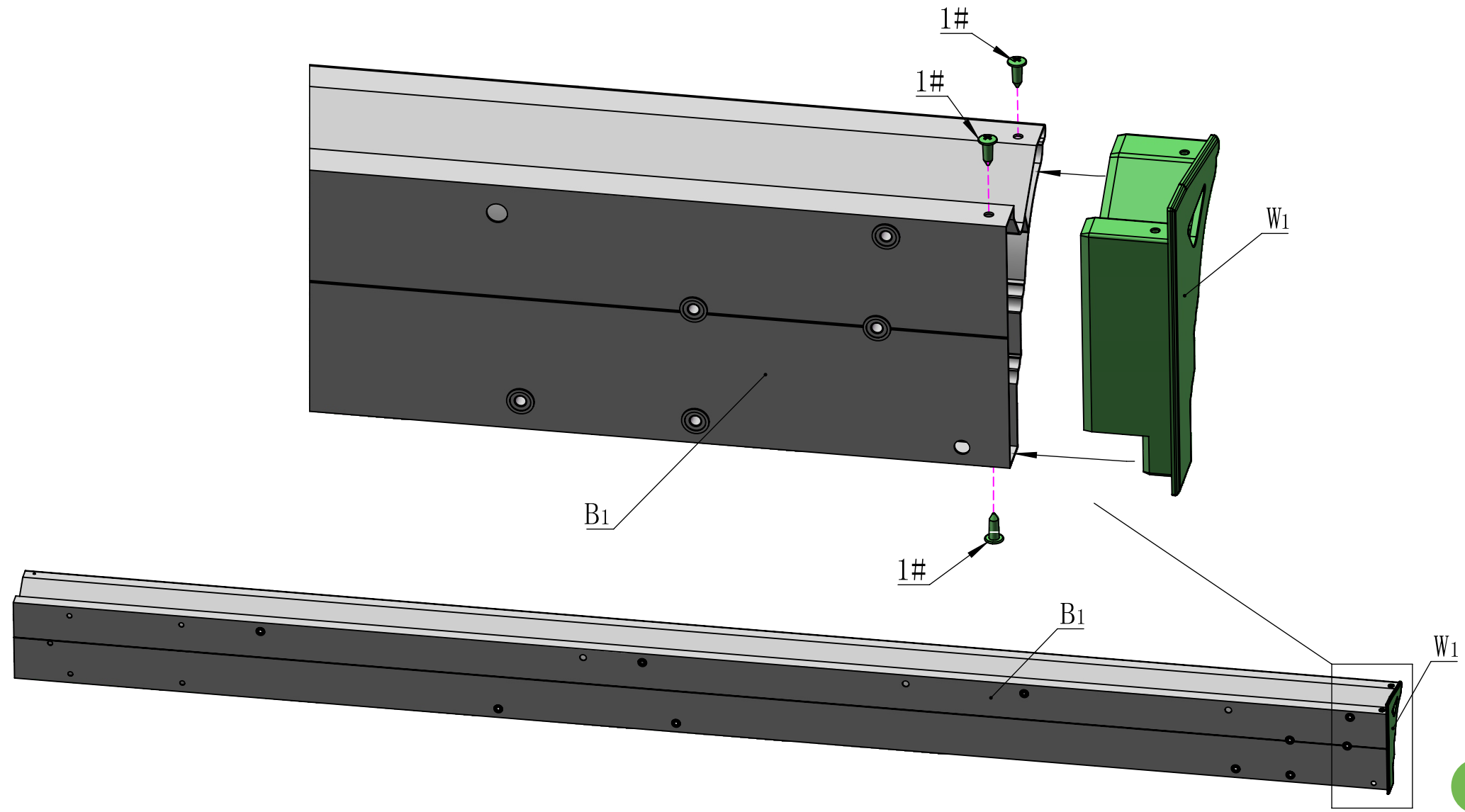


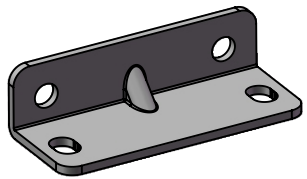


B1 1X

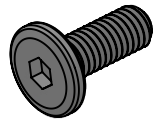
W1 1X

1# 3X



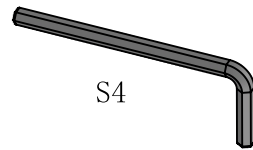


R2 1X



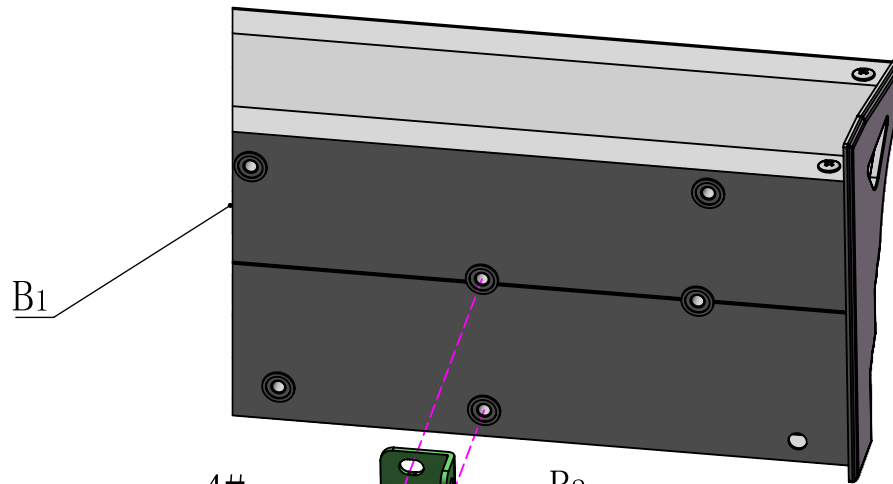
M6*16

4# 2X



S4

24# 1X

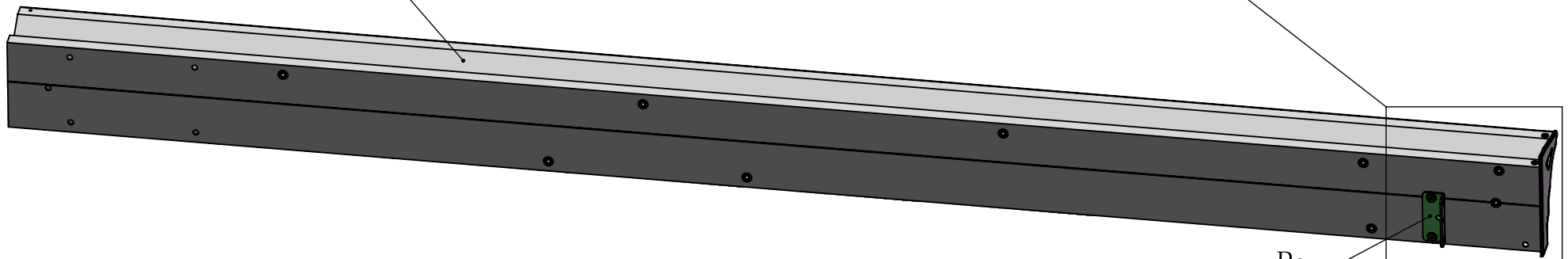


4#

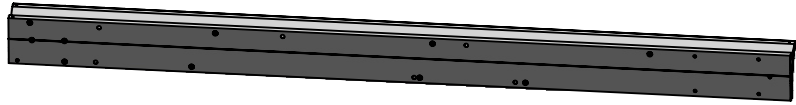
R2

4#

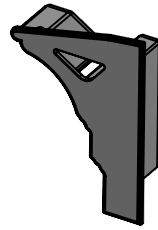
B1



R2



B2 1X

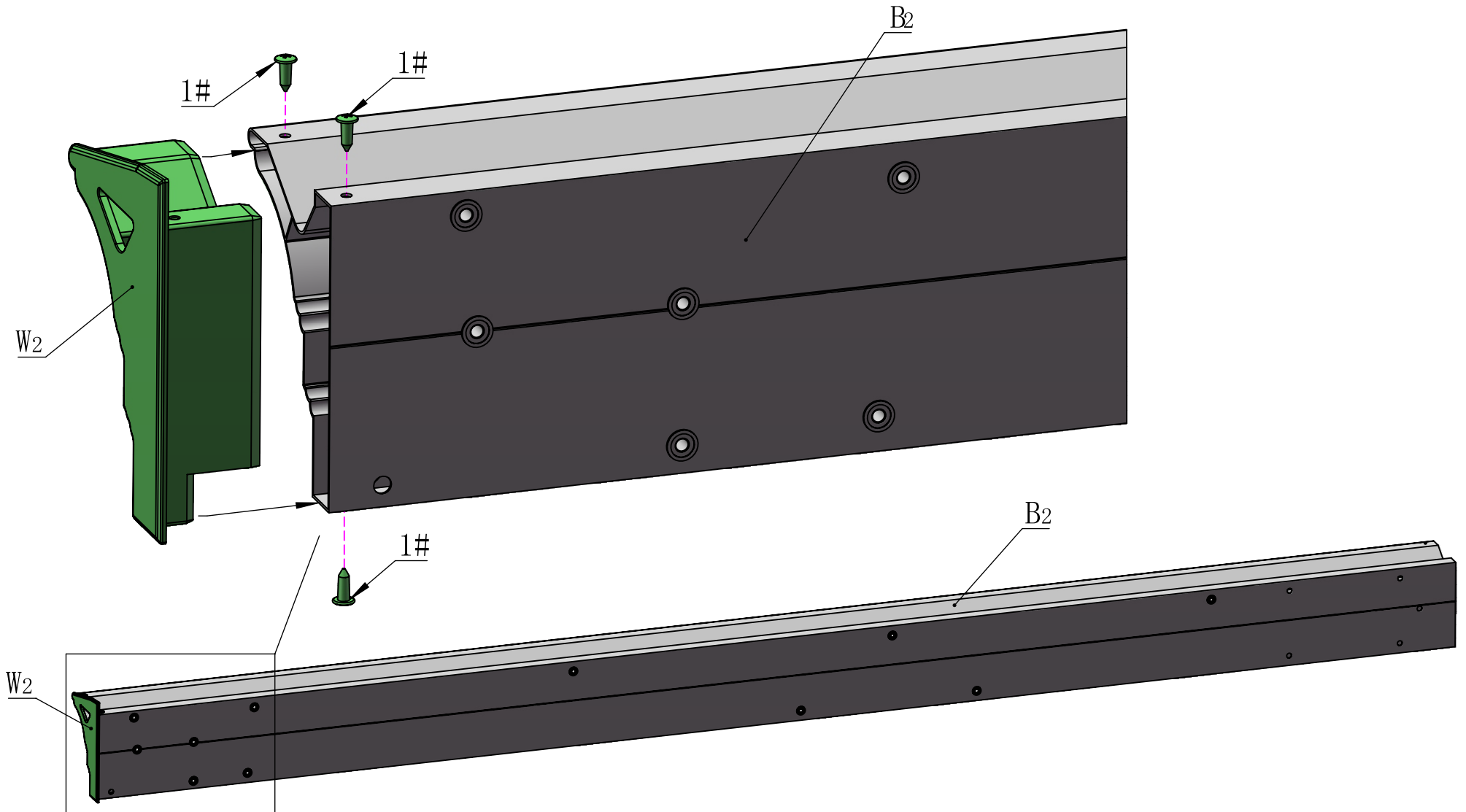


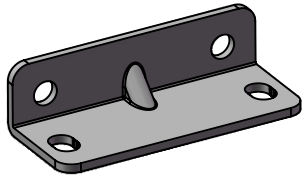
W2 1X

ST4.8*13

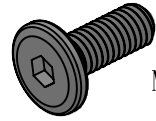


1# 3X



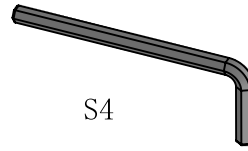


R2 1X



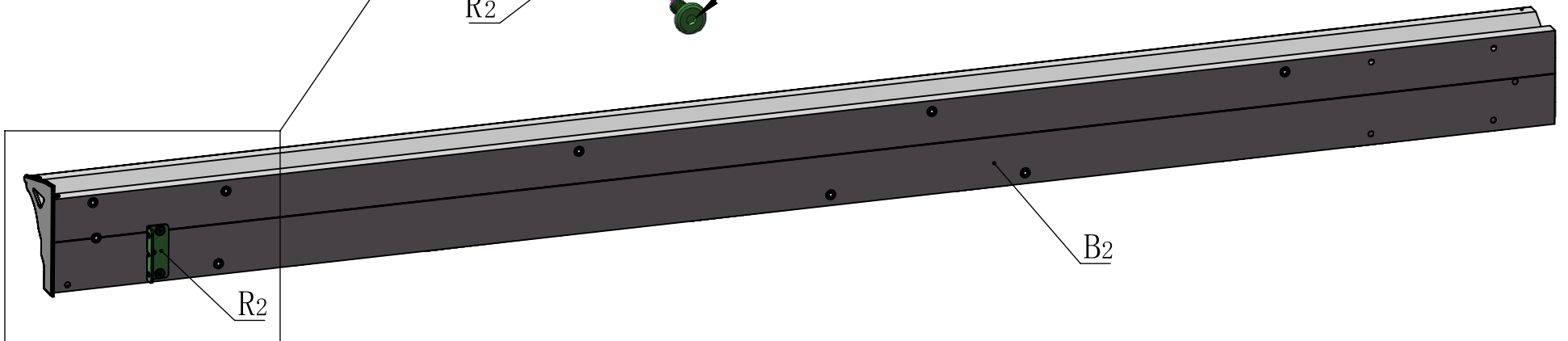
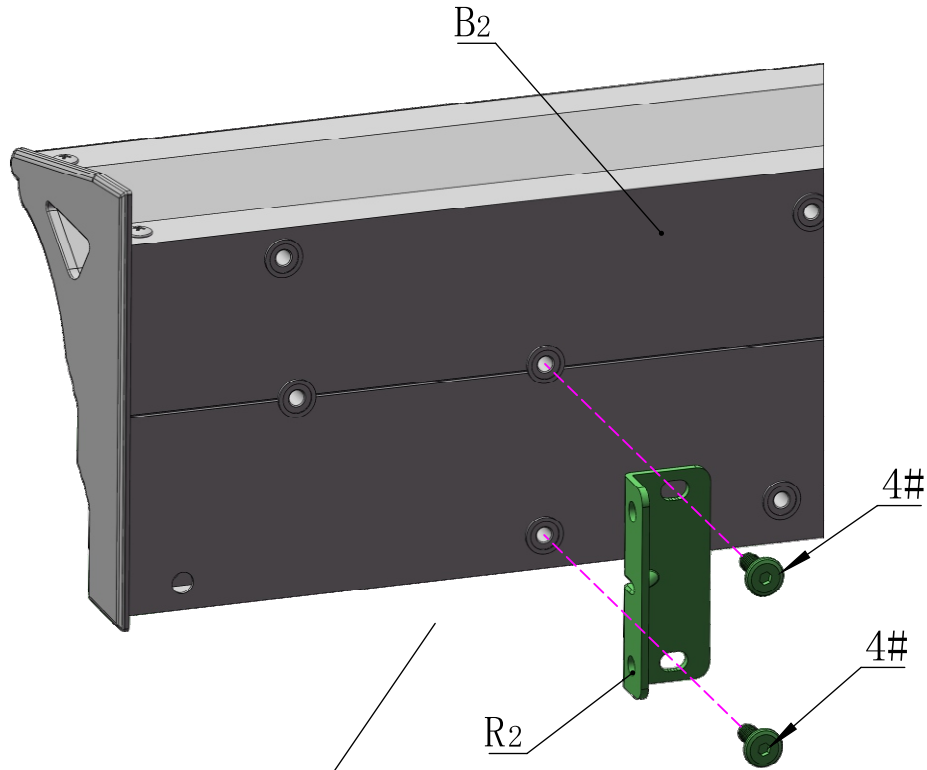
M6*16

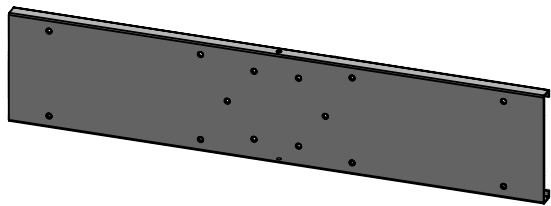
4# 2X



S4

24# 1X



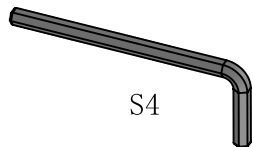


C 1X



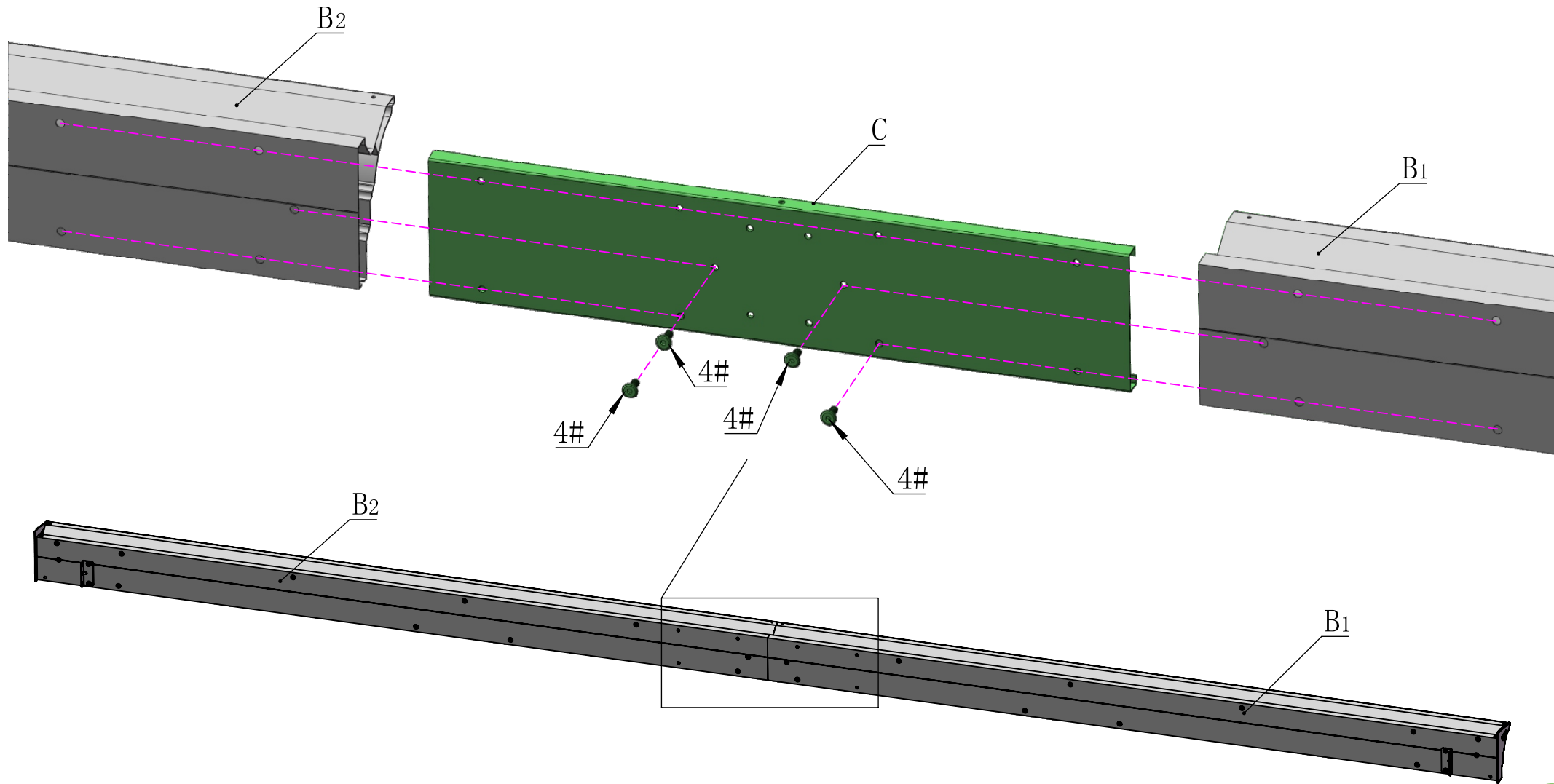
M6*16

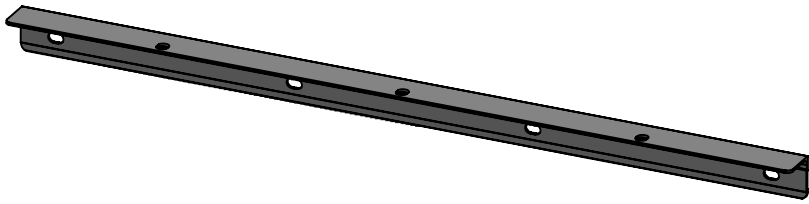
4# 4X



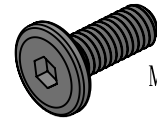
S4

24# 1X



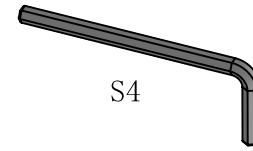


D1 1X



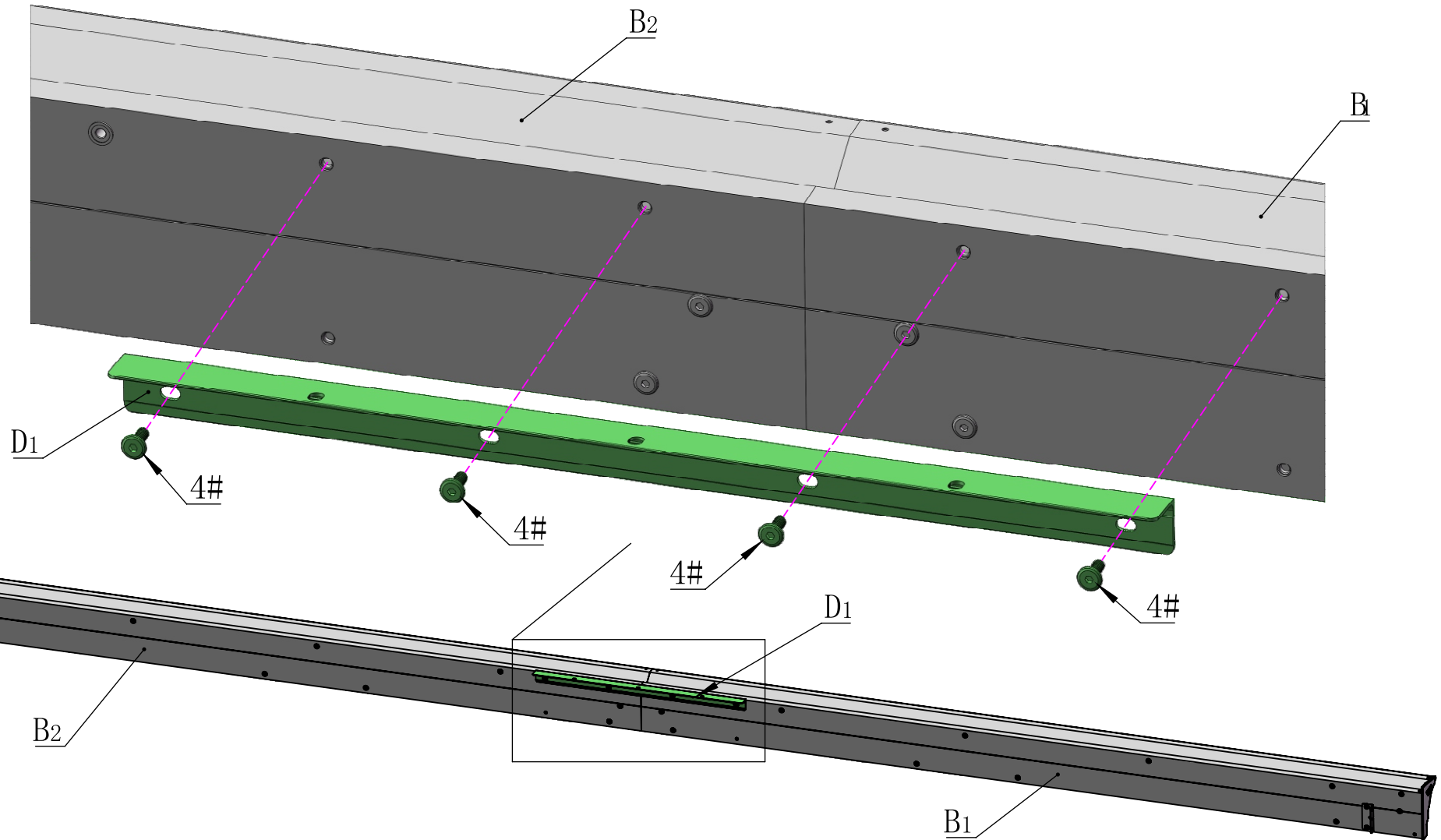
M6*16

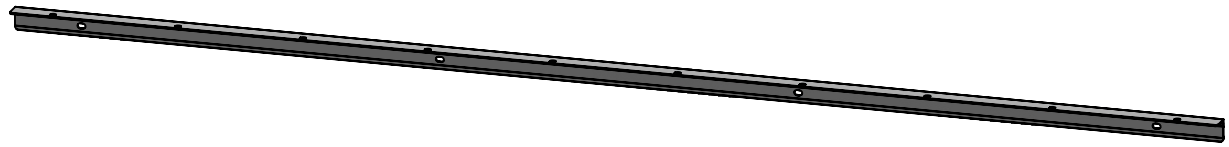
4# 4X



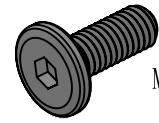
S4

24# 1X





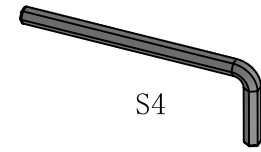
D2 2X



M6*16

4#

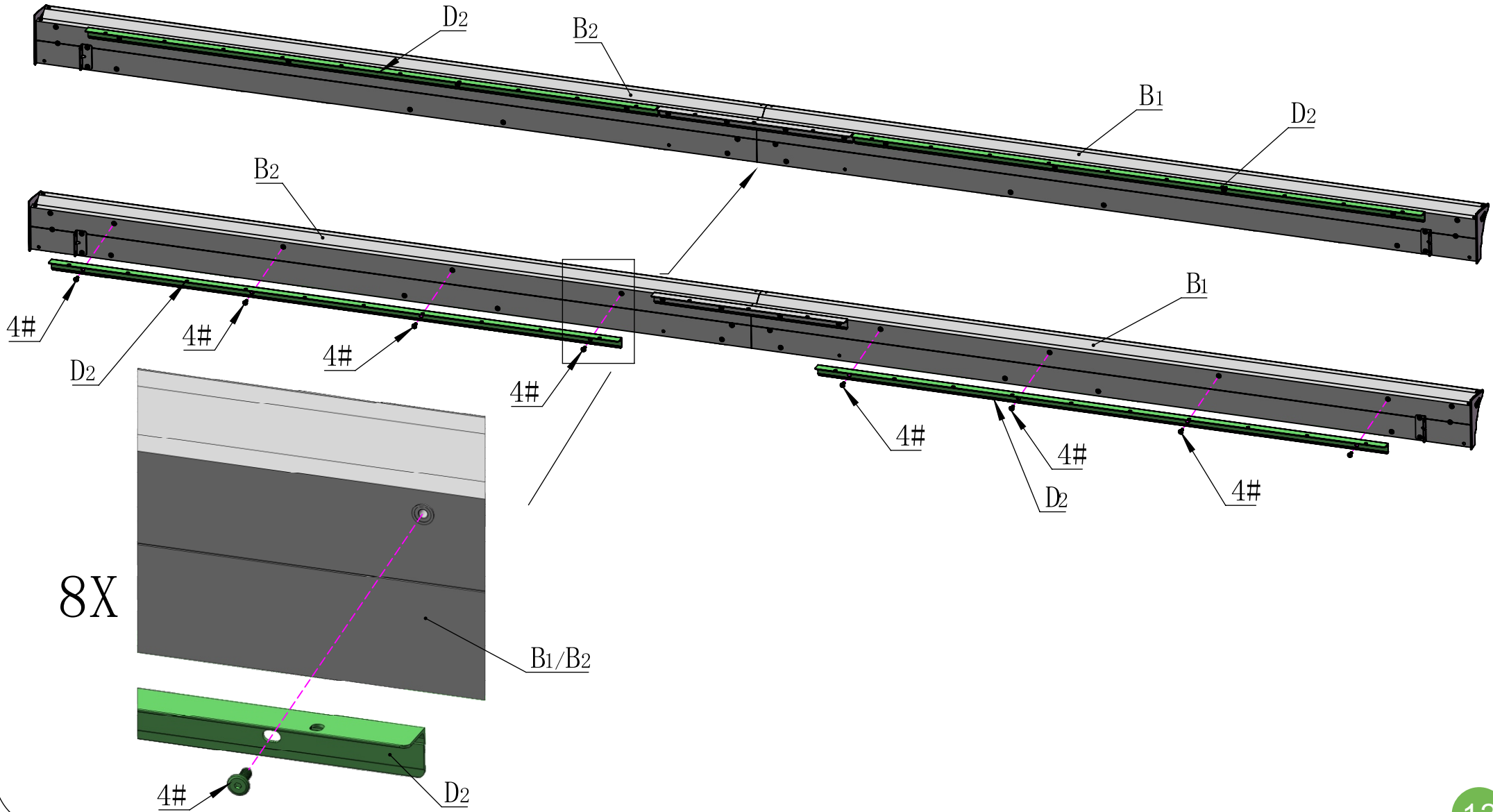
8X



S4

24#

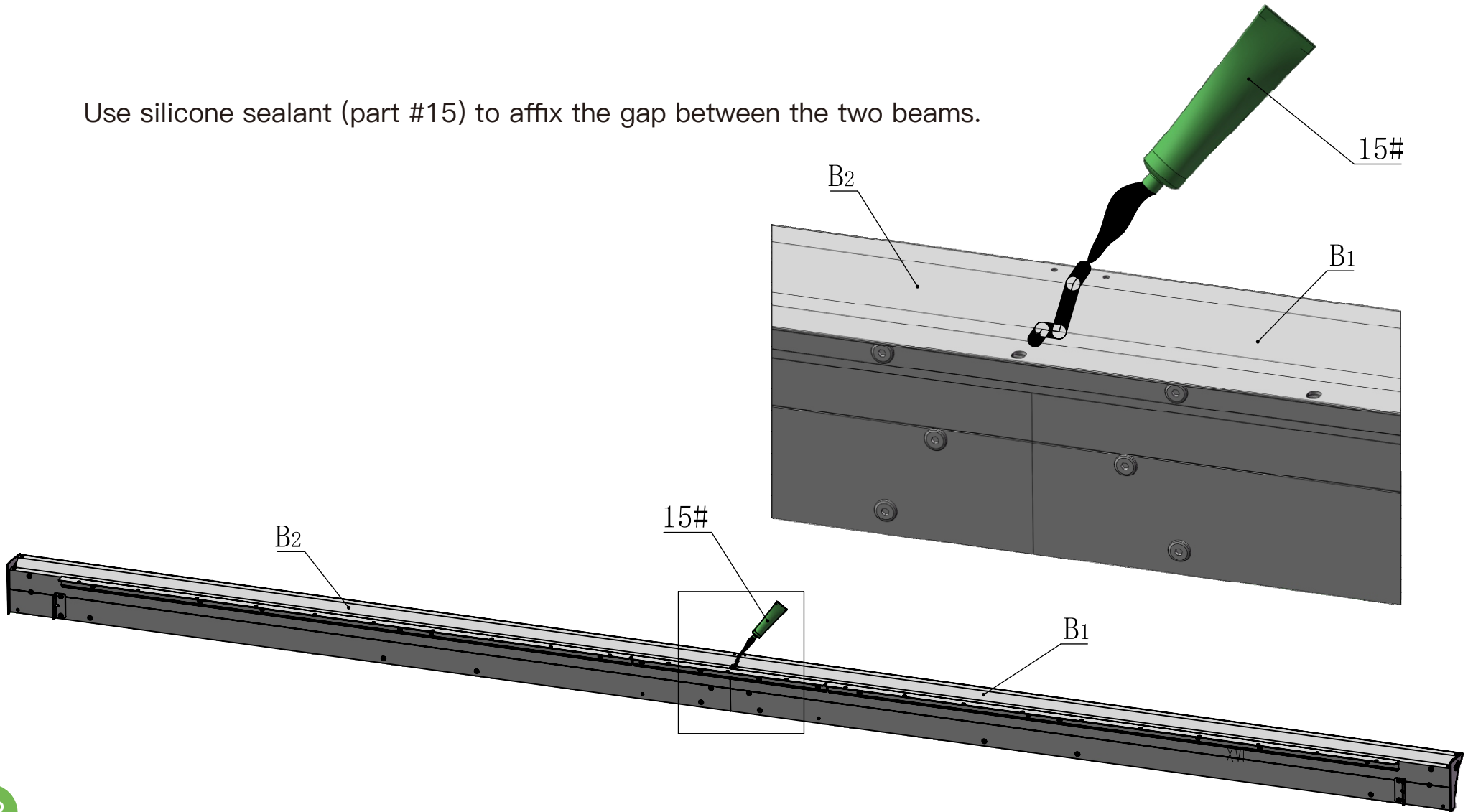
1X

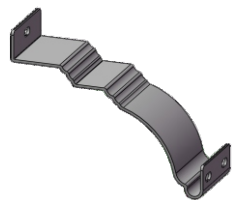




15# 1X

Use silicone sealant (part #15) to affix the gap between the two beams.





W3 1X

ST4. 8*13

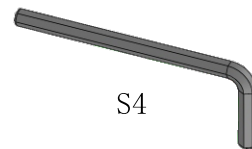


1# 2X



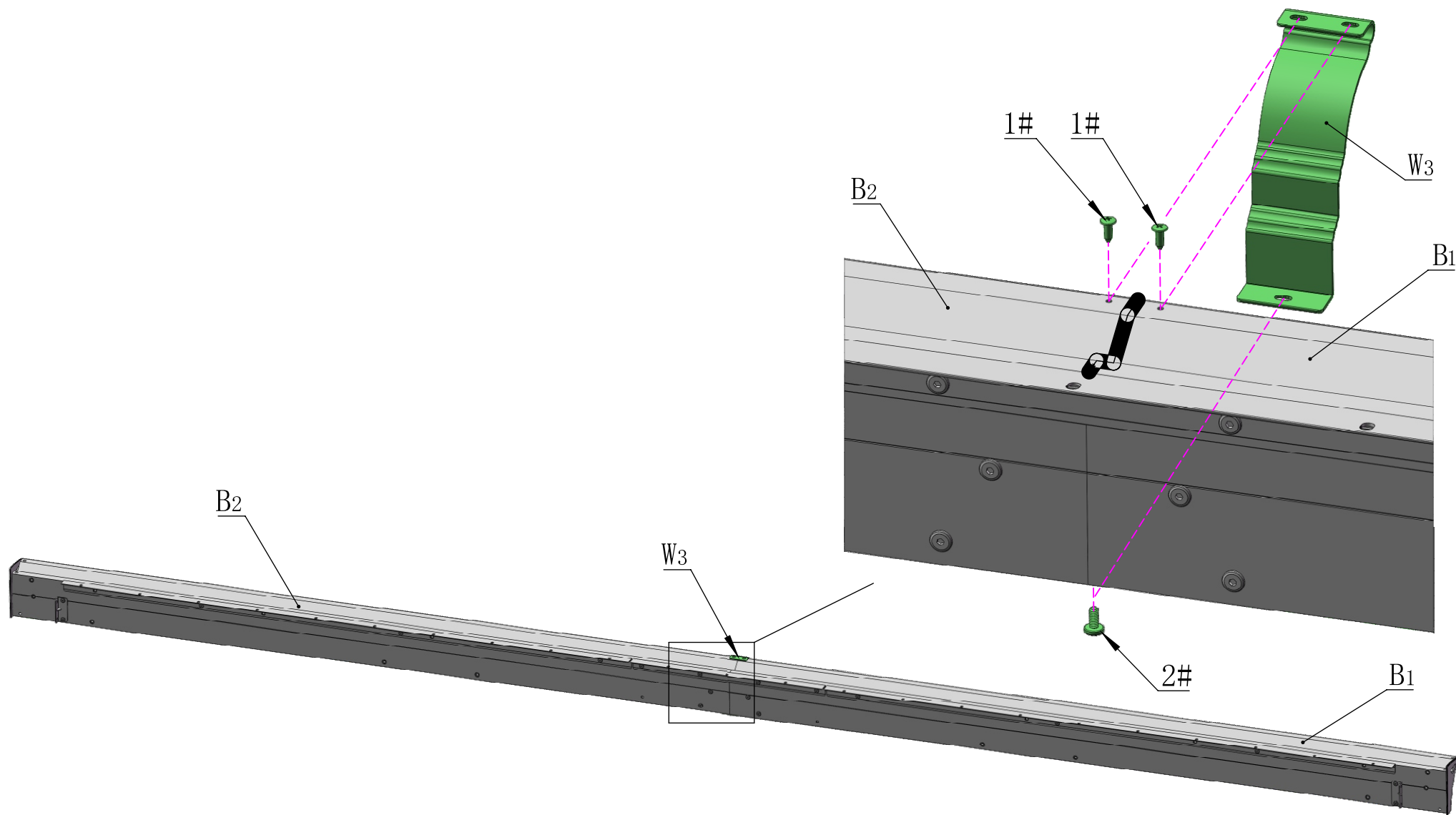
M5*12

2# 1X

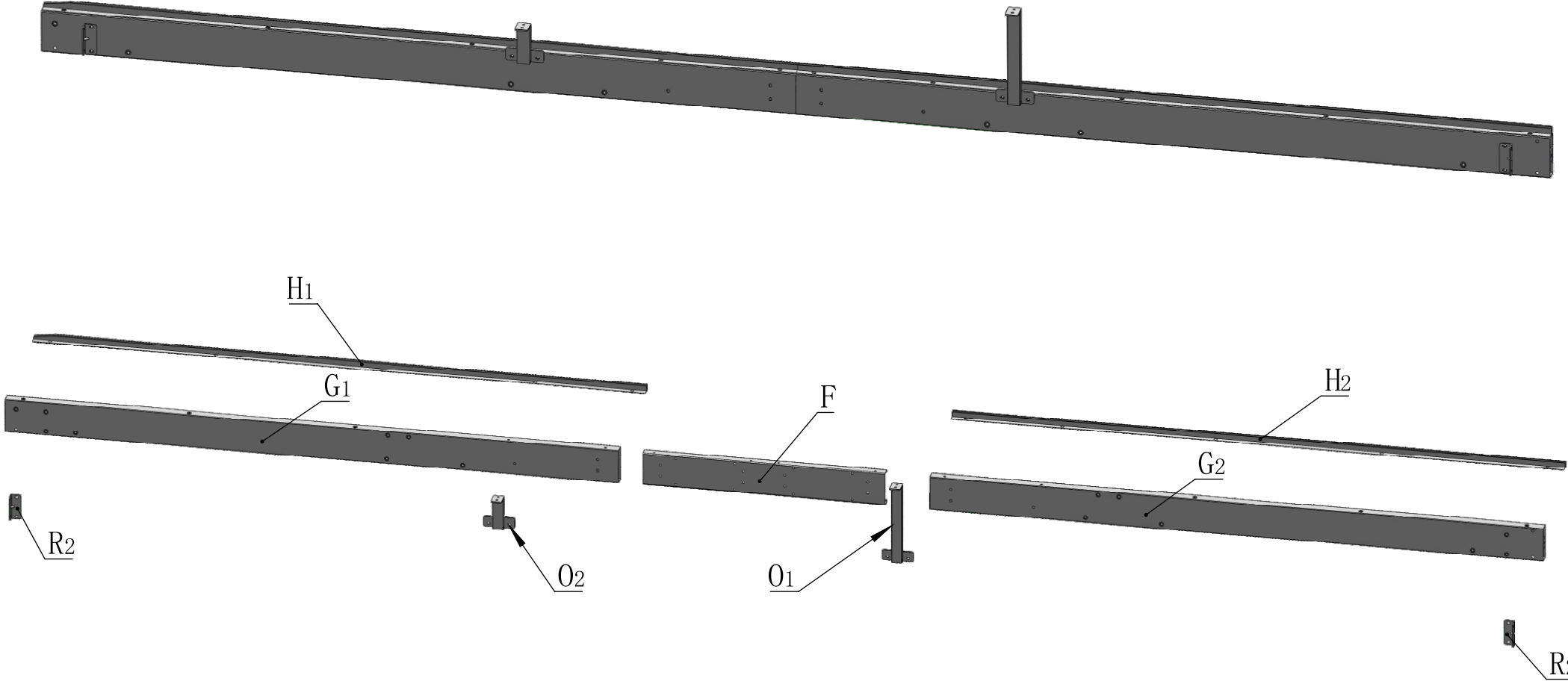


S4

24# 1X



Side Beam Assembly

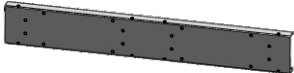




G1 1X



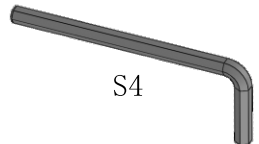
G2 1X



F 1X

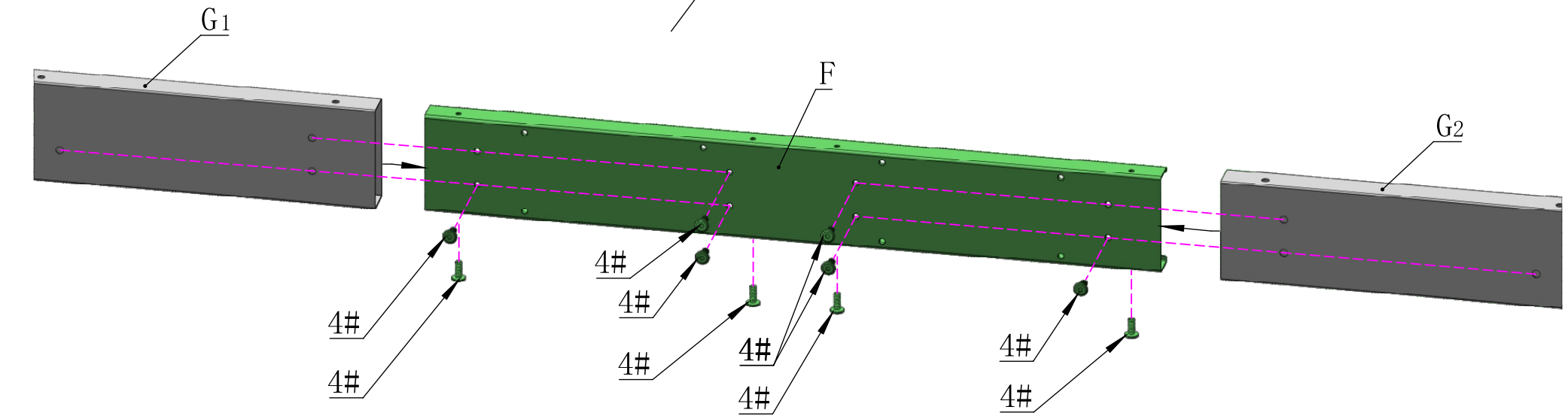
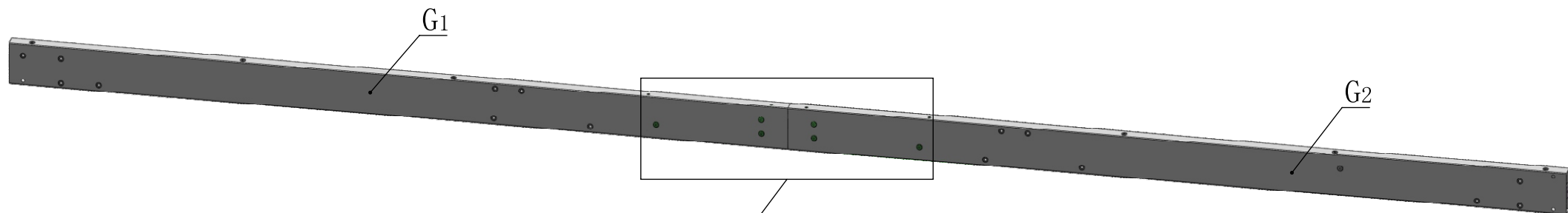


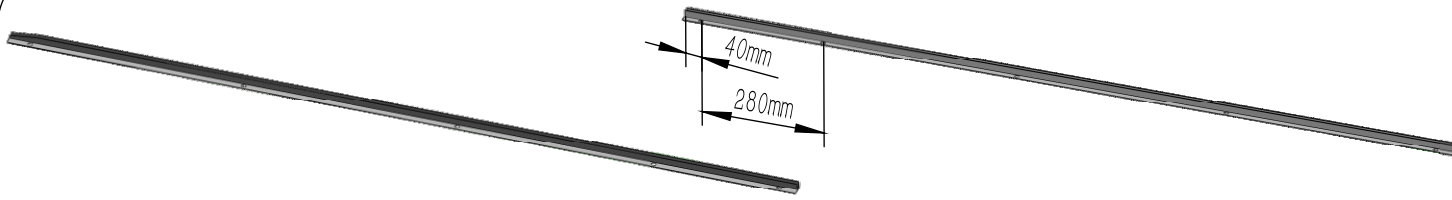
M6*16



S4

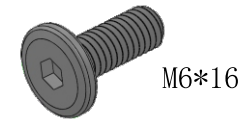
4# 10X 24# 1X



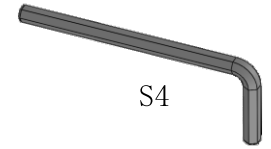


H1 1X

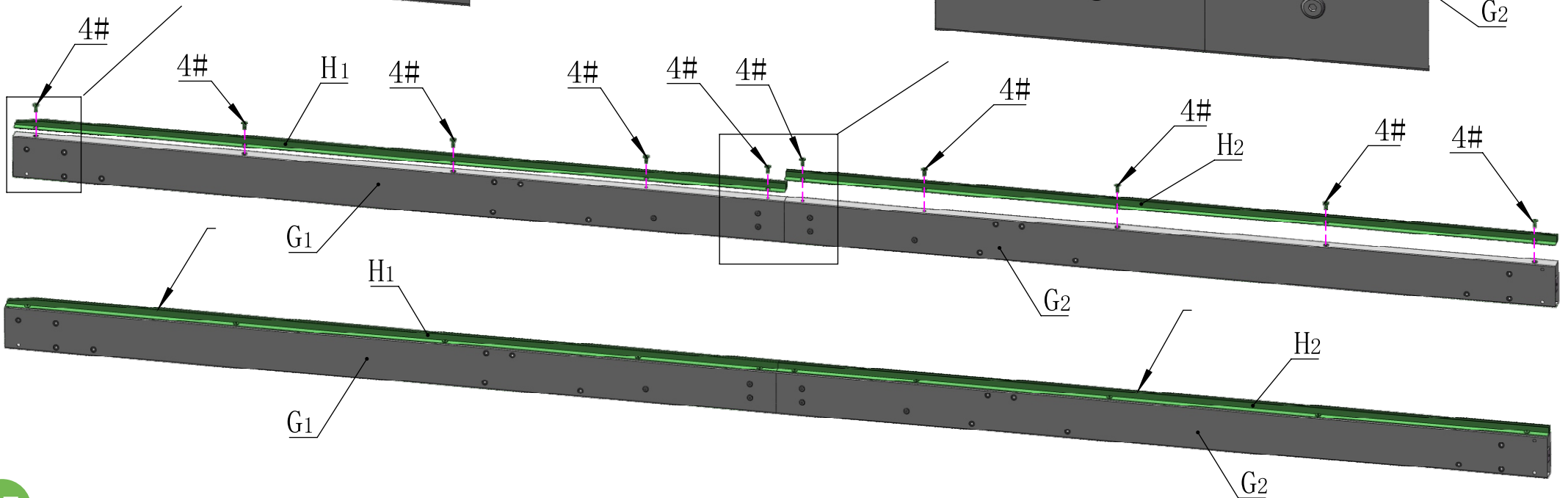
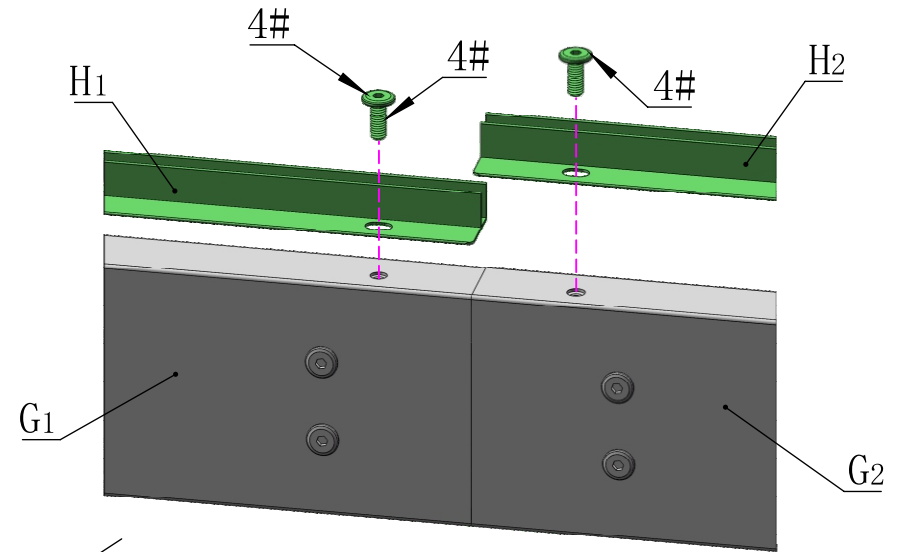
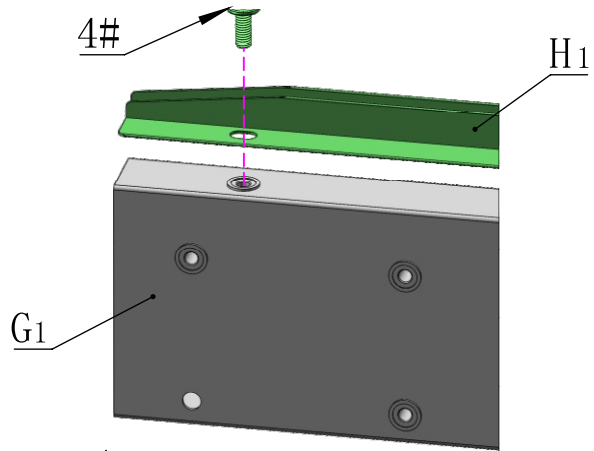
H2 1X

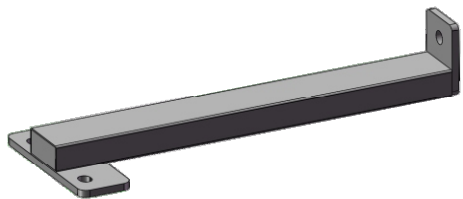


4# 10X

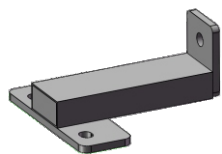


24# 1X





O1 1X

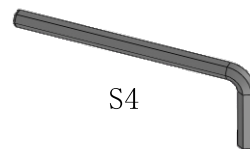


O2 1X



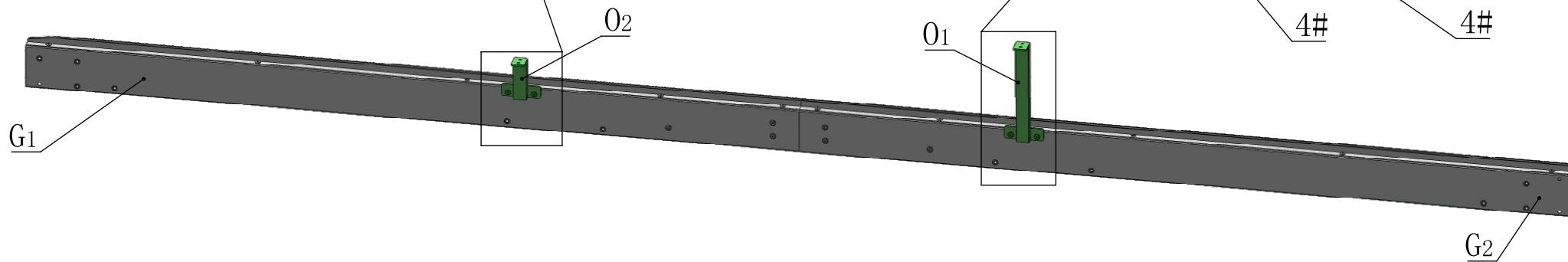
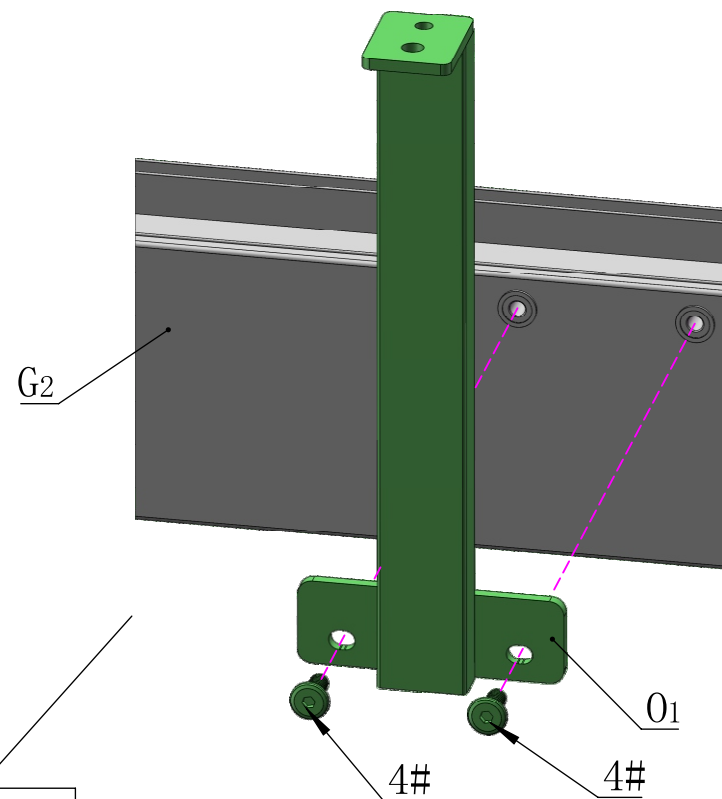
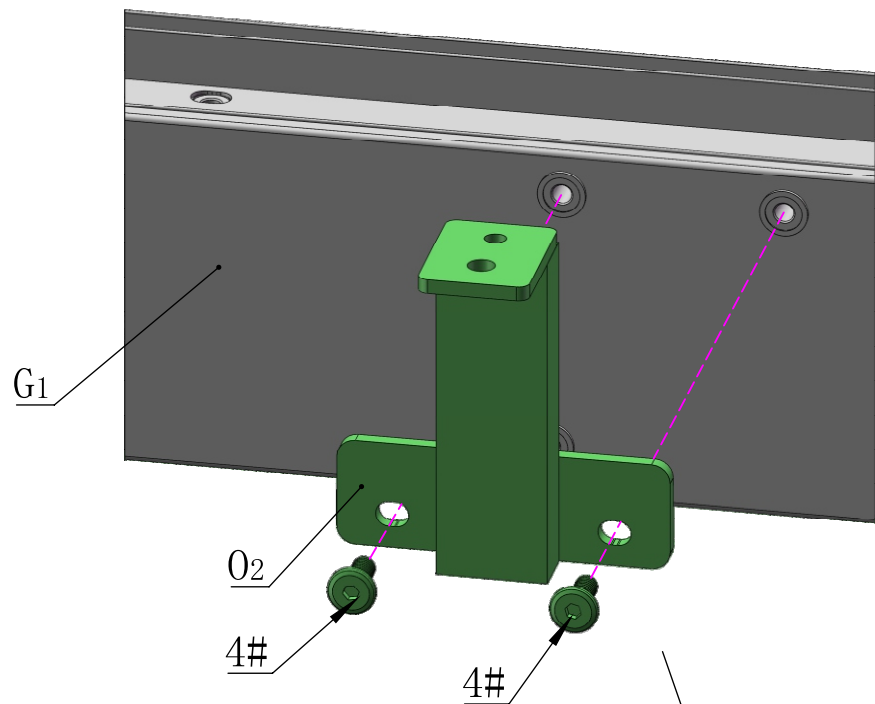
4# 4X

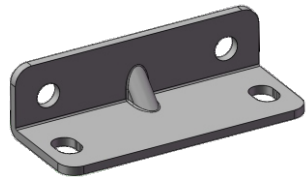
M6*16



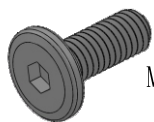
24# 1X

S4



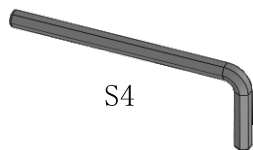


R2 2X



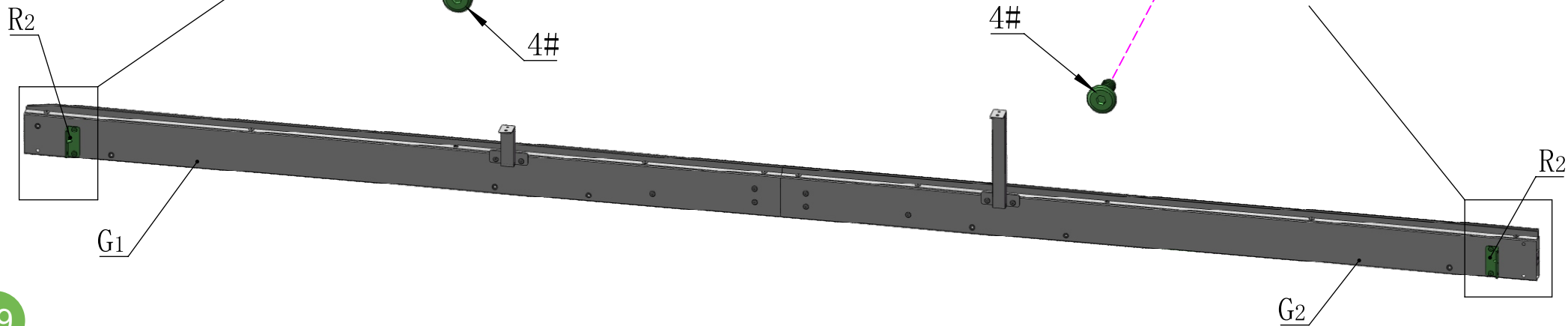
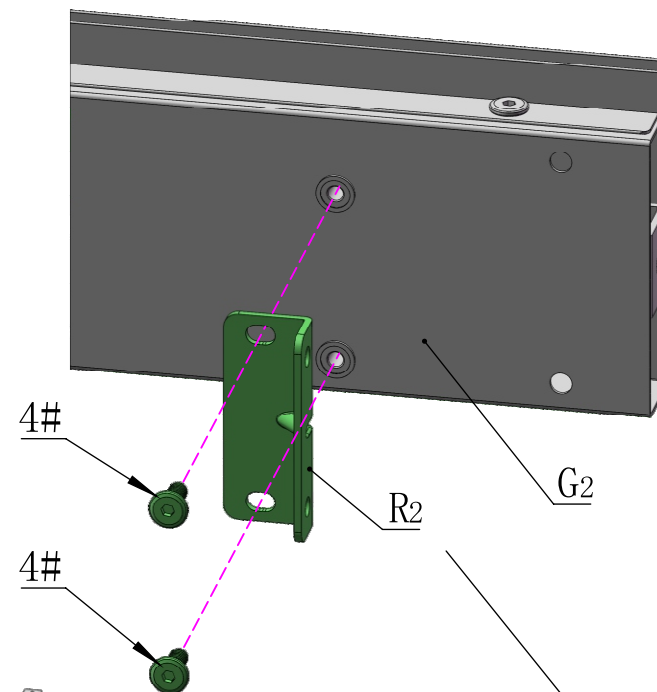
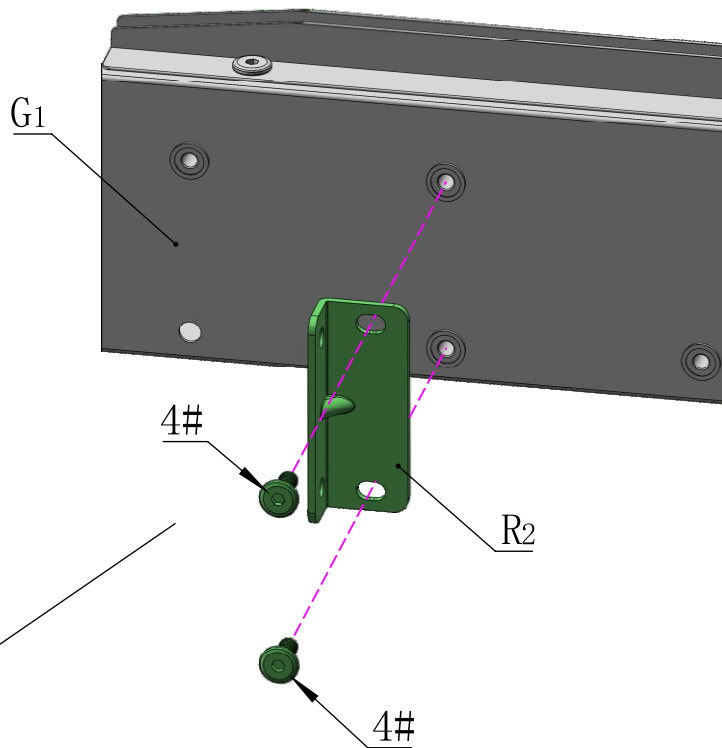
M6*16

4# 4X

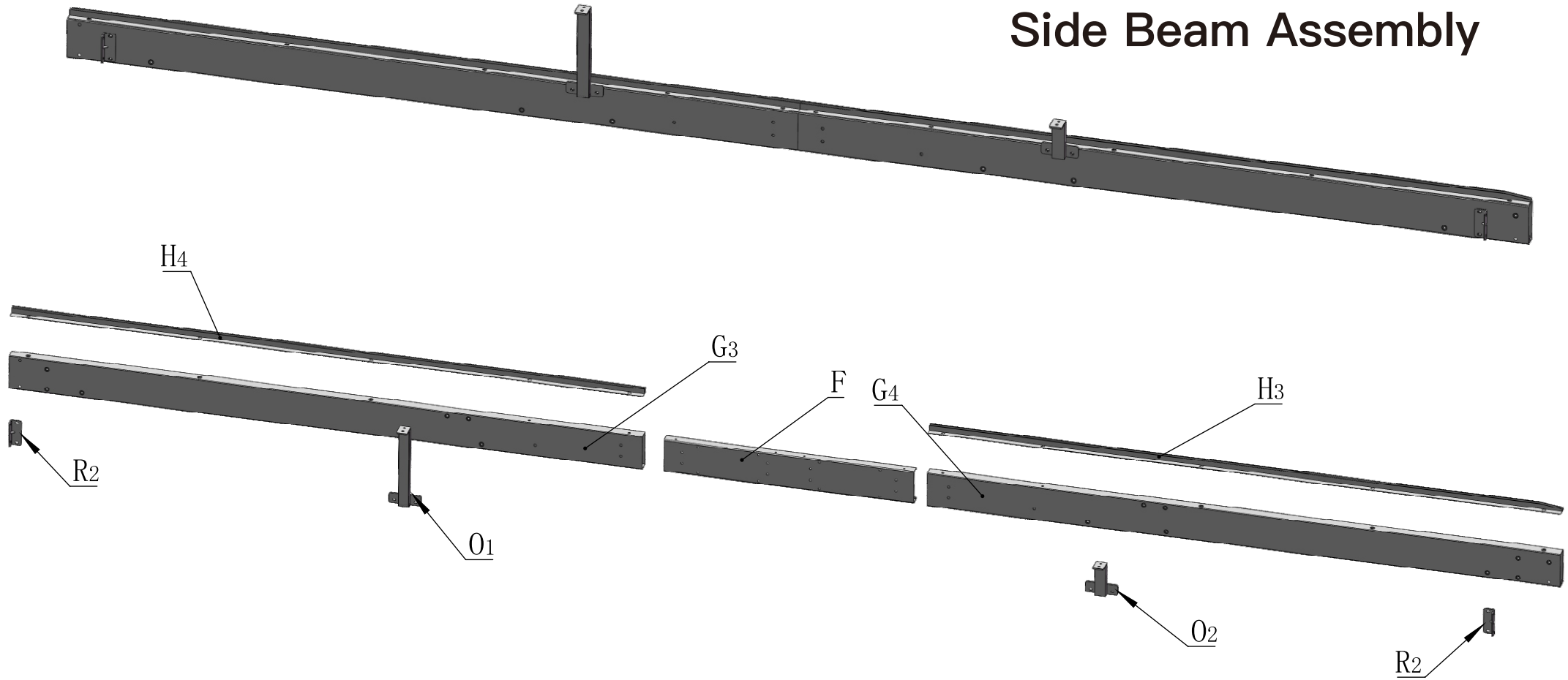


S4

24# 1X

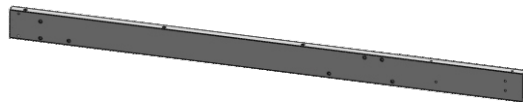


Side Beam Assembly

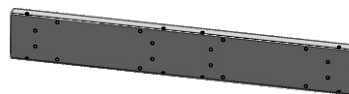




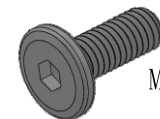
G3 1X



G4 1X



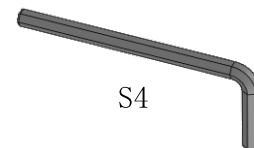
F 1X



4#

M6*16

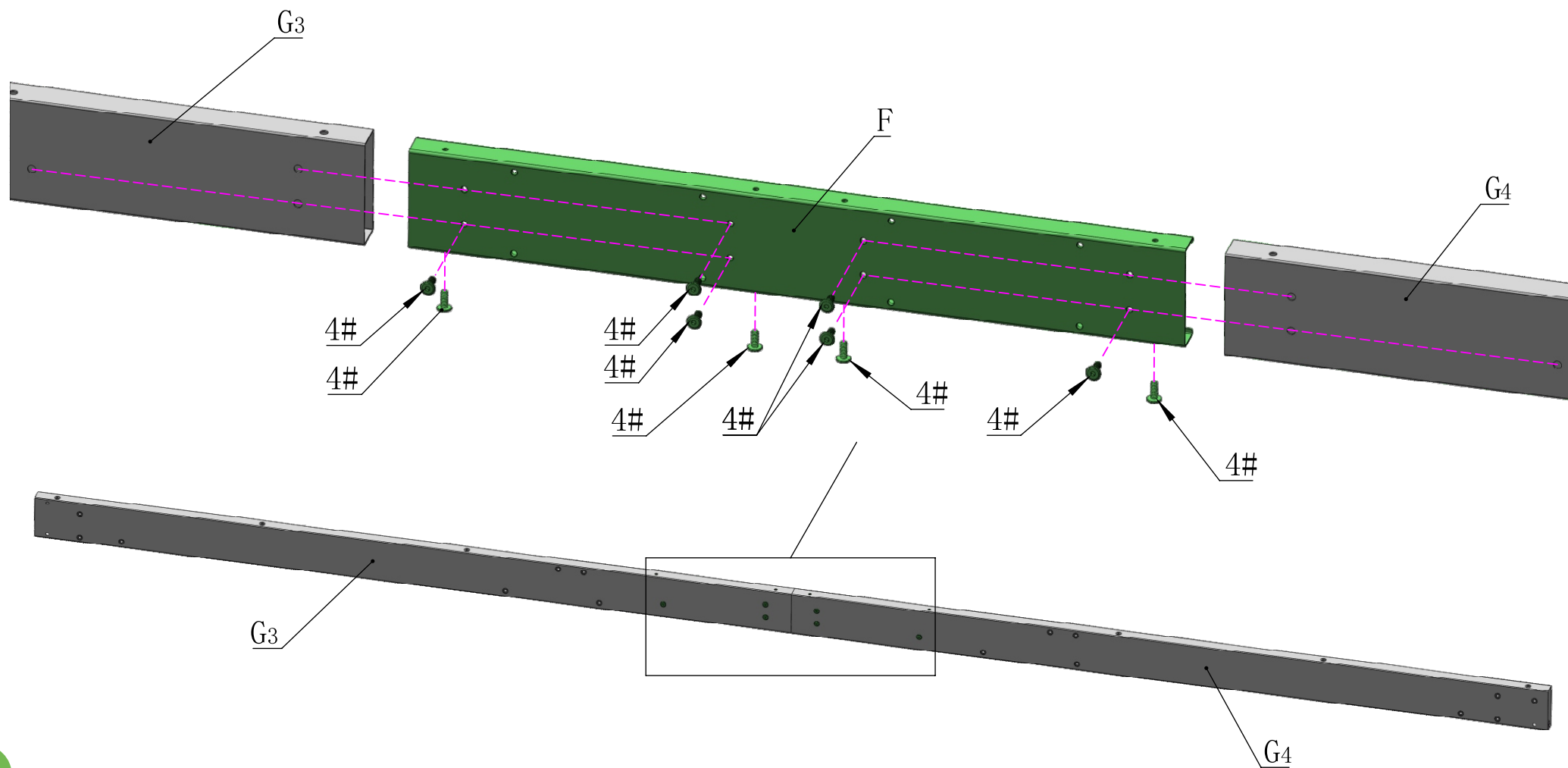
10X

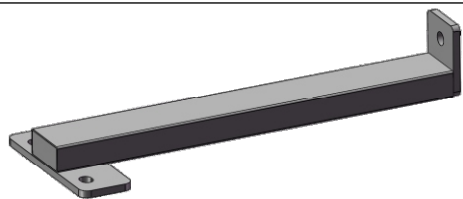


24#

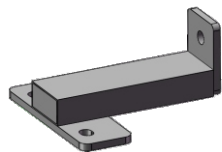
S4

1X

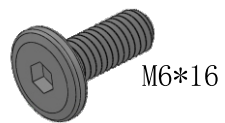




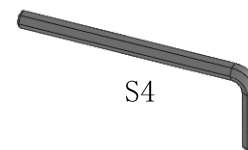
O1 1X



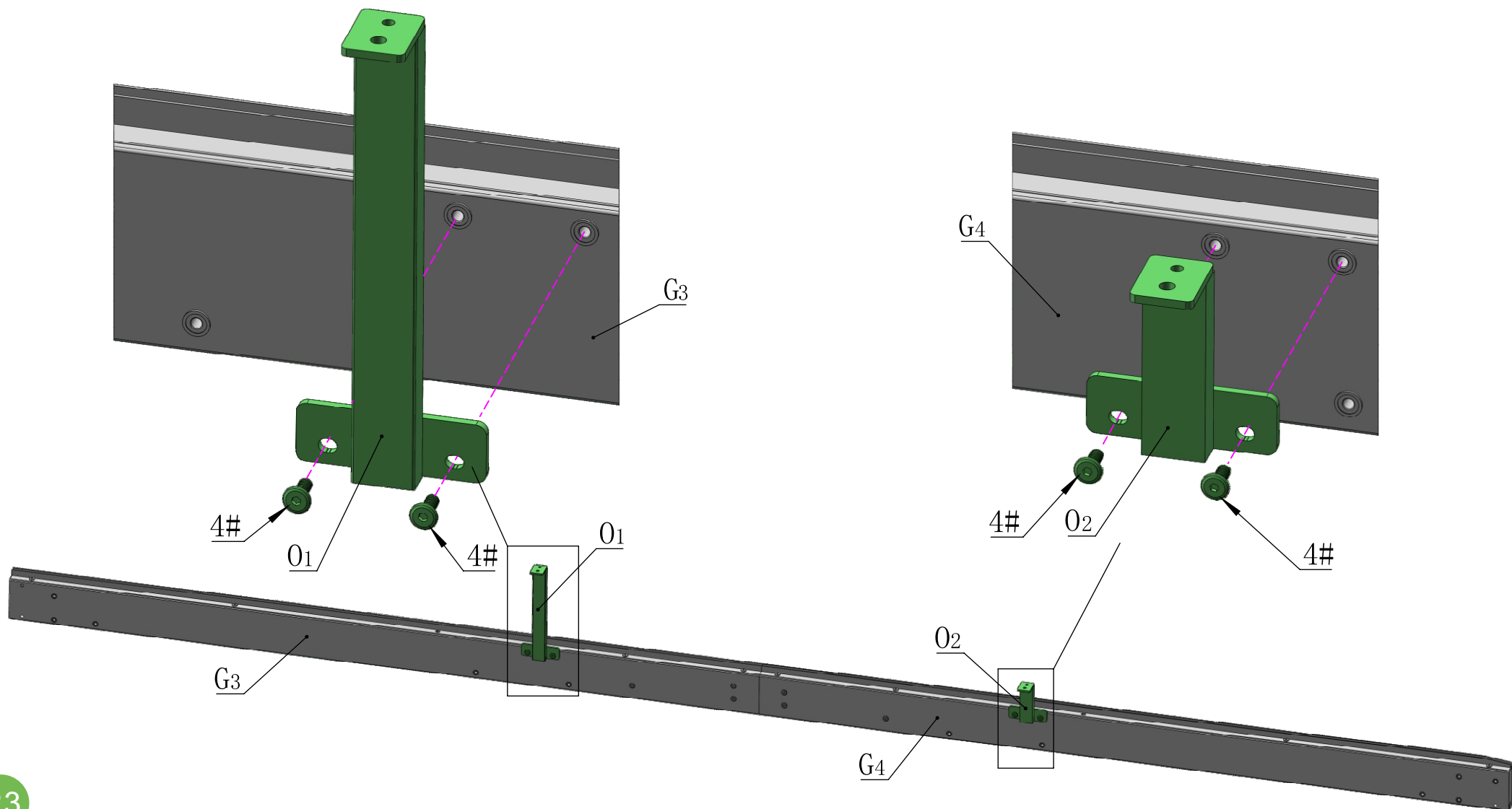
O2 1X

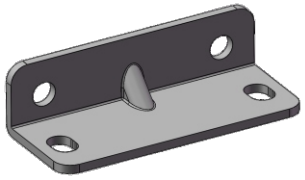


4# 4X
M6*16

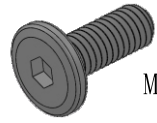


S4
24# 1X



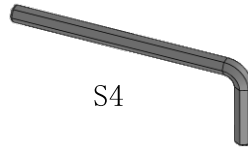


R2 2X



M6*16

4# 4X



S4

24# 1X

