

Shower Set User's Guide



Dimensions

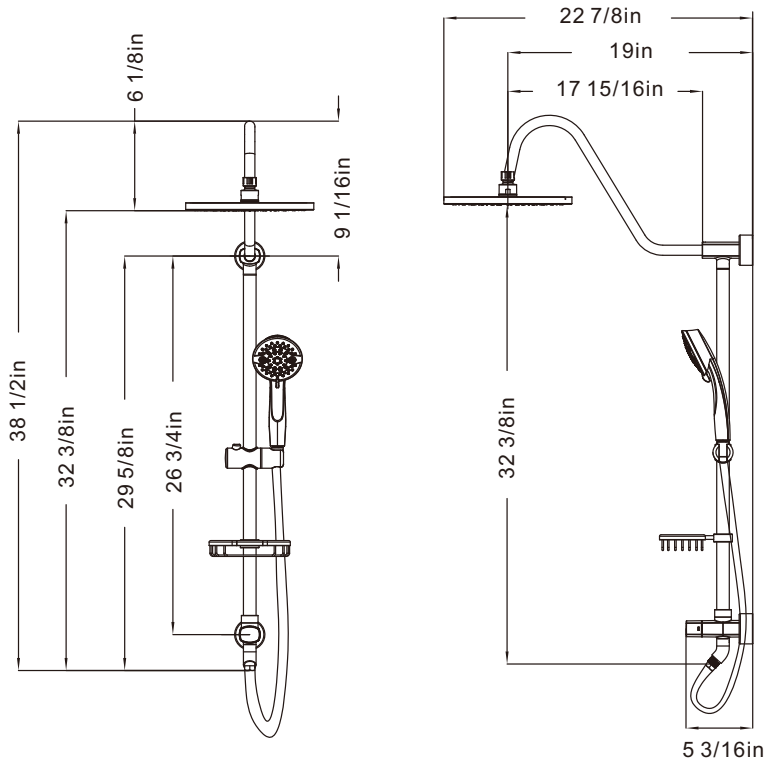
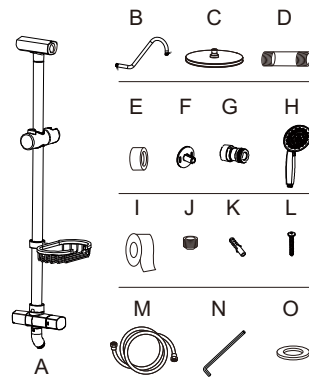
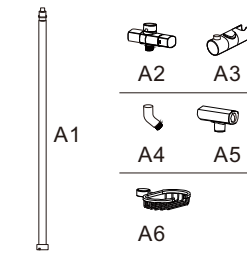


Diagram and Part List



A	Shower column *1
B	Shower Arm *1
C	Rainfall shower head *1
D	Shower Straight Arm *1
E	Flange*2
F	Fixed base*1
G	Water inlet connector*1
H	Shower head*1
I	teflon tape*1
J	Set screw *3
K	Screw anchor *2
L	Screw *2
M	Hose *1
N	Hexagon Wrench *1
O	Gasket *3



- A1: Shower hose
- A2: Flow Divider
- A3: Shower bracket
- A4: Connector
- A5: Tee
- A6: Soap basket

Remark: for easy to install, below parts have been assembled.

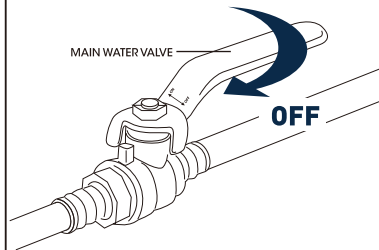
1. B+E+J+A5
2. E+A2+A4
3. D+G
4. A1+A3+A6

Installer Tip:

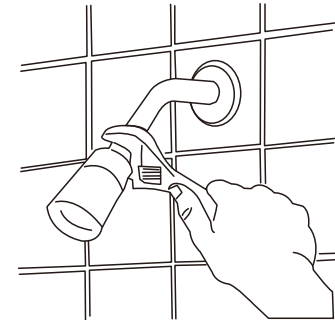
Rinse the remaining impurities in the pipeline before installation.

Installation Procedure

1

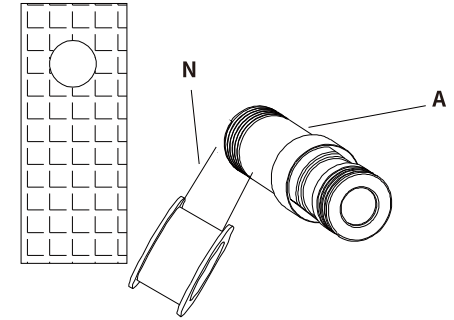


Shut off main water supply before installing new shower set.



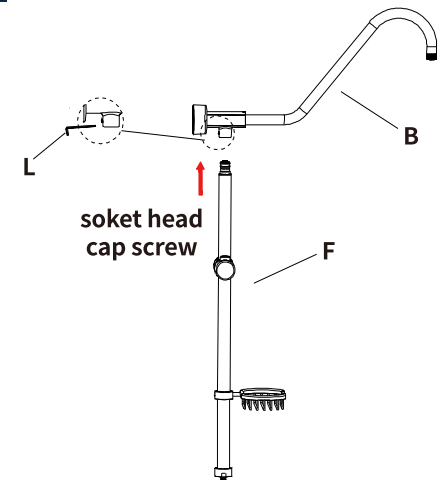
If you have an old shower head, you can remove the top shower with a wrench and insert a screwdriver into the shower arm tube to remove the shower arm.

2



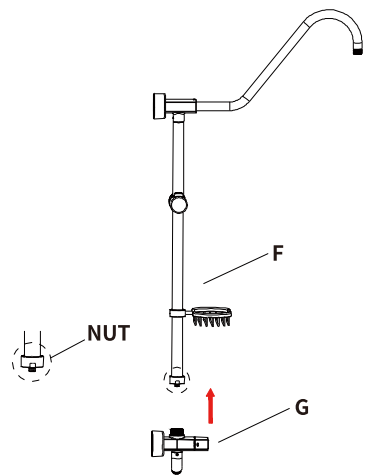
As shown in the picture, wrap the threaded end of part A with Teflon tape 2 times. Screw one end of the thread of the shower arm in a clockwise direction, and tighten it with a wrench.

3



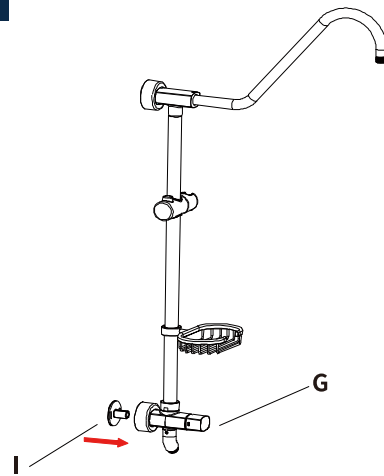
As shown in the picture, insert part F into the corresponding mounting hole of part B, and tighten it clockwise with a hexagonal wrench (if you cannot insert it, you can use a hexagonal wrench to loosen the screw corresponding to the hole of B in a counterclockwise direction, and then Insert F).

4



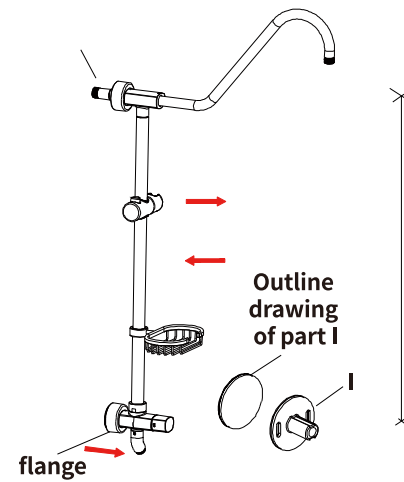
As shown in the picture, insert part G into the corresponding mounting hole of part F, and tighten the nut at the bottom of F clockwise.

5



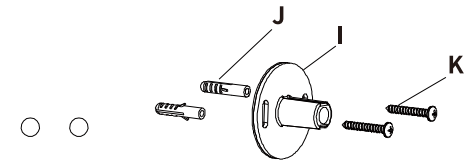
As shown in the picture, insert part I into the corresponding mounting hole of part G (if you cannot insert it, you can use a hexagonal wrench to loosen the screw at the corresponding position of G counterclockwise, and then insert part I).

6



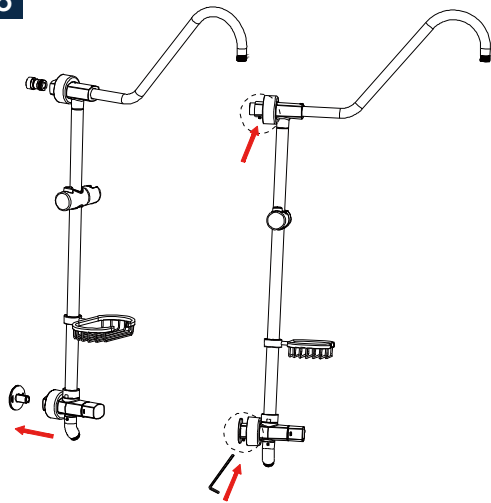
As shown in the picture, push the decorative cover on G in the direction of the arrow to expose part I. Use a horizontal ruler to find the vertical angle, draw the outline of part I and the two screw holes with a pencil, and then remove the entire assembly.

7



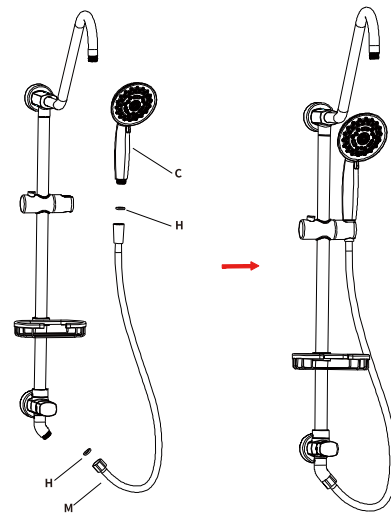
Use an 8mm diameter ceramic tile special hollow drill bit (the user needs to prepare the drill bit by yourself) align the two screw holes of Part I to drill the hole, and the depth exceeds the length of the expansion bolt. (Compare the length of the expansion bolt with the length of the drill bit before drilling. Mark the position at the end). Then use a nail hammer to knock the two expansion bolts J into the holes, align the screw holes of the fixed holder I, and use a Phillips screwdriver to tighten the two screws K in a clockwise direction.

8



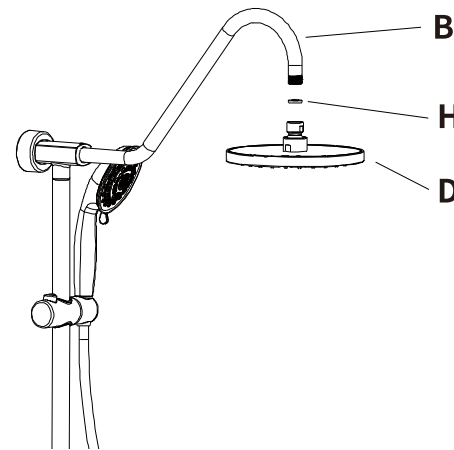
Install the whole product on the wall according to the picture on the right, push the top and bottom two decorative covers outwards, use a hexagonal wrench to tighten the screws clockwise, and then push the decorative cover back toward the wall.

9



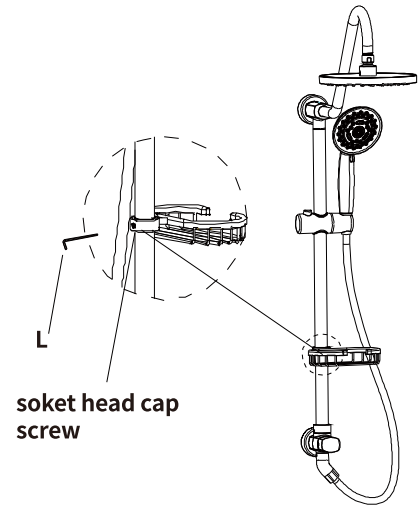
Install the hand shower C. The shower hose M and the two sealing gaskets H are as shown in the figure.

10



Install the shower head D and the sealing washer H to B as shown in the figure.

11



socket head cap screw

Use the hexagon wrench L to adjust the hexagon socket screws corresponding to the soap basket, and the height of the soap basket can be adjusted according to the user's own needs.