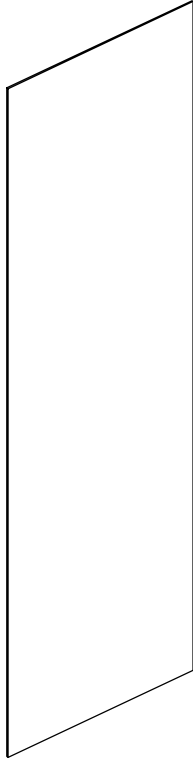
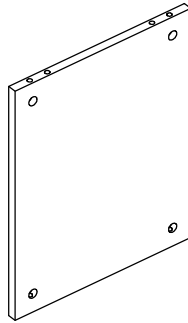


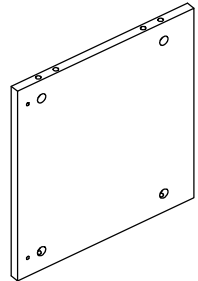
Ax2



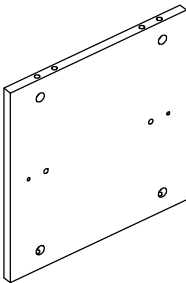
Bx1



Cx1



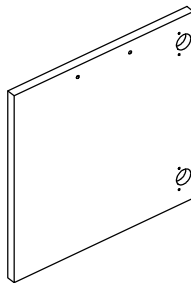
Dx2



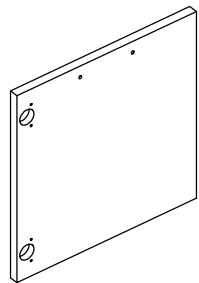
Ex2



Fx2



Gx1



Hx1



Ix20



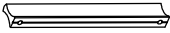
Jx28



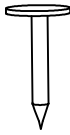
Kx20



Lx10



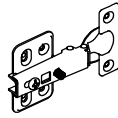
Mx2



Nx25



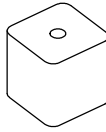
Ox24



Px4



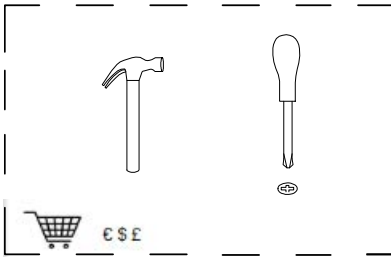
Qx8



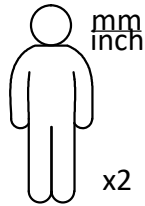
Rx2



Sx4



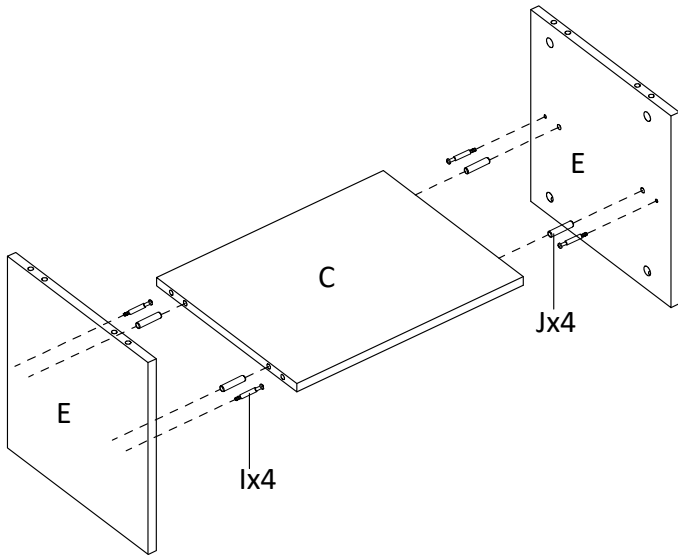
€ 5€



mm  
inch

x2

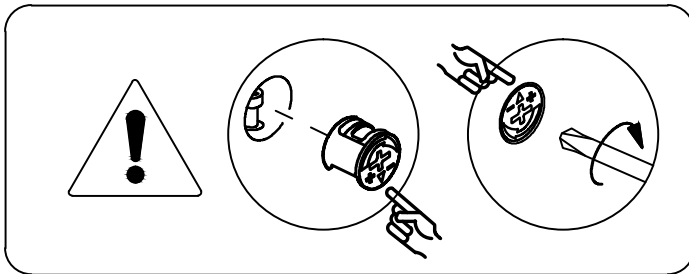
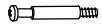
1



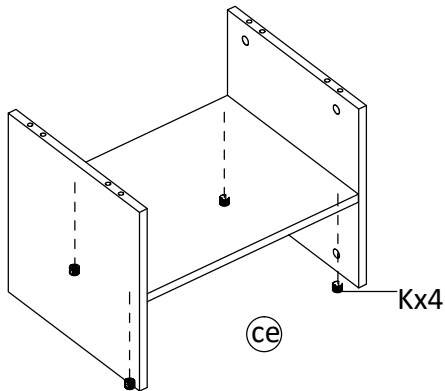
Jx4



Ix4



2

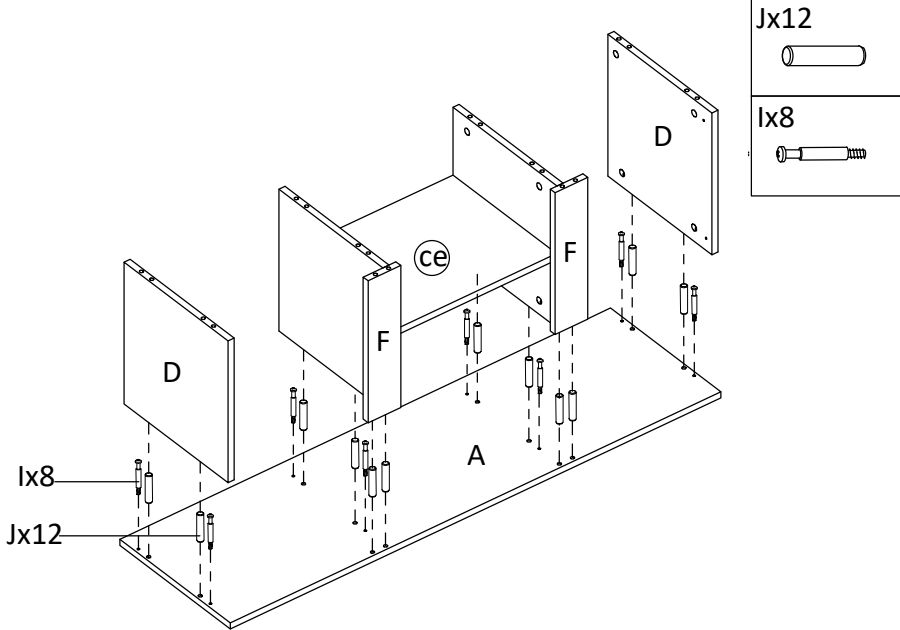


Kx4

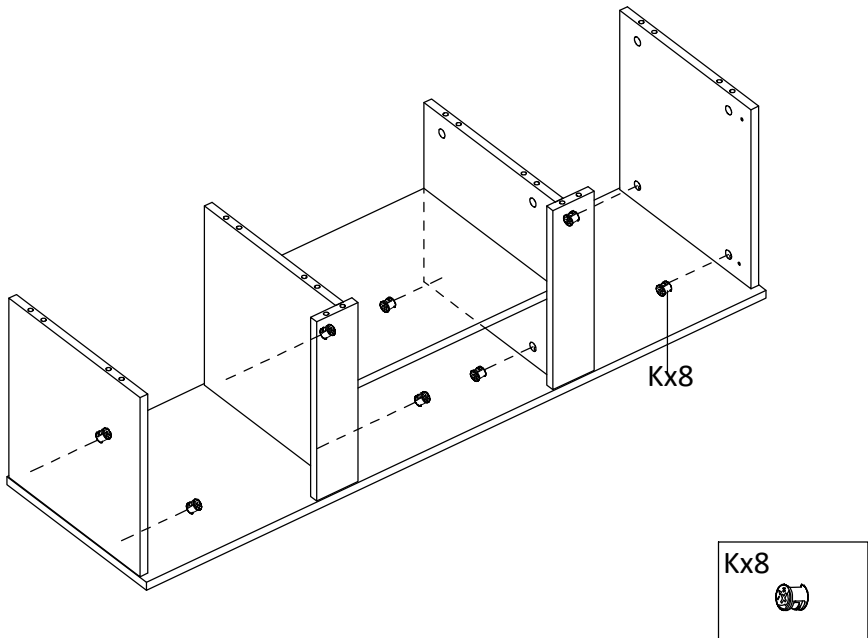


ce

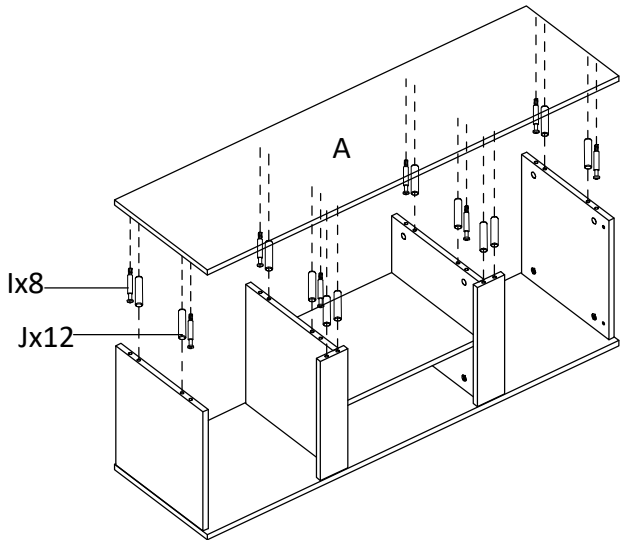
3



4



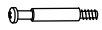
5



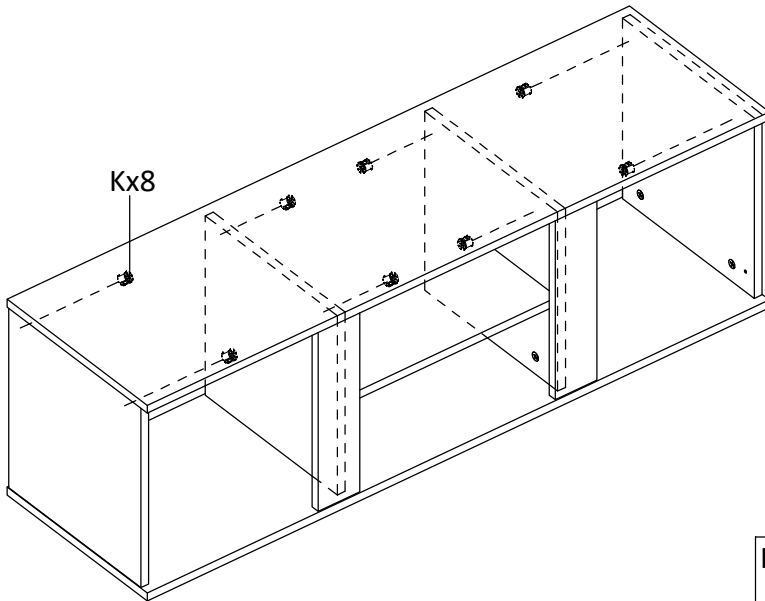
Jx12



Ix8



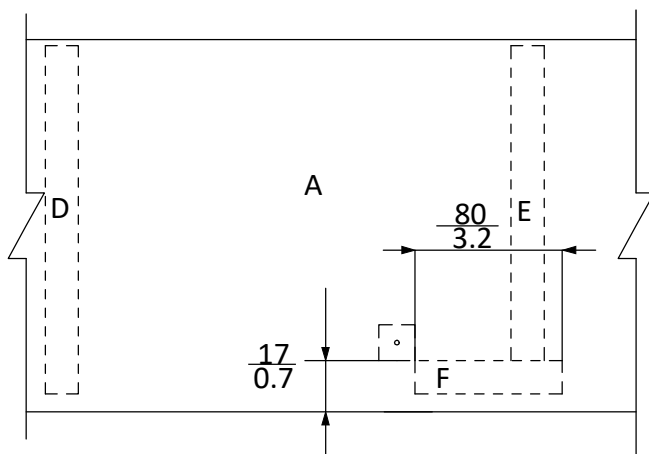
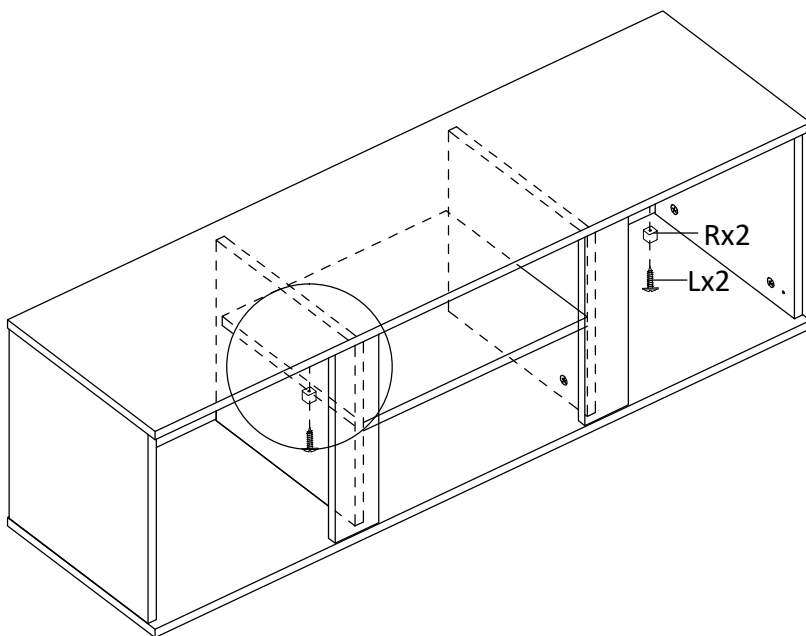
6



Kx8



7



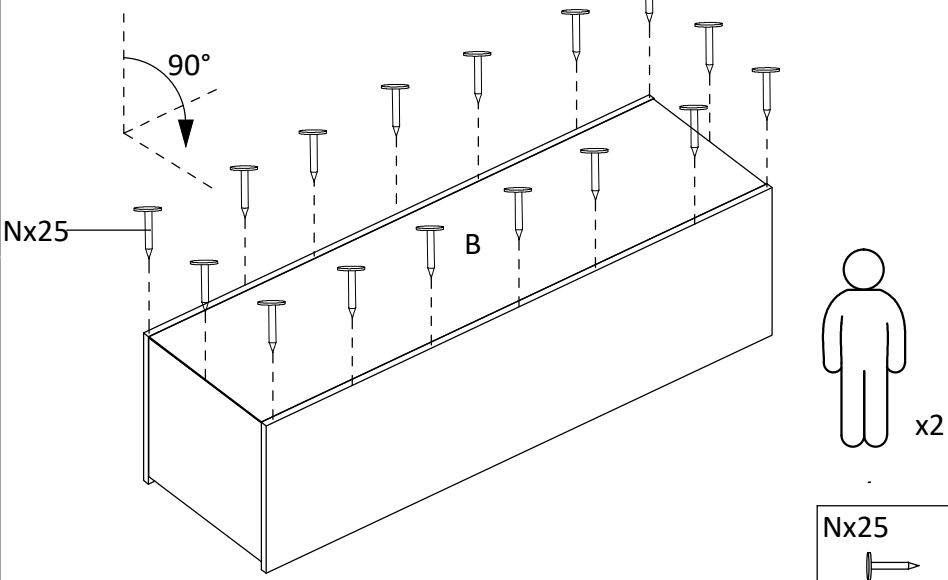
Rx2



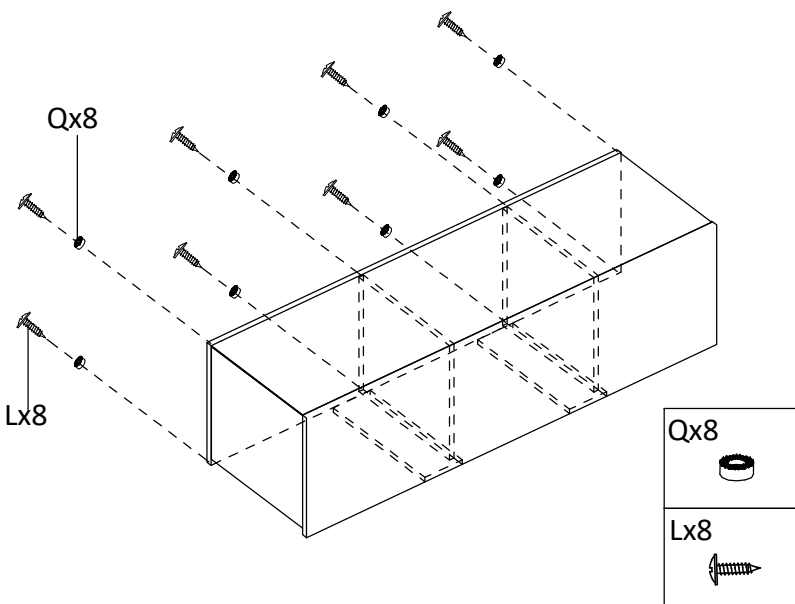
Lx2



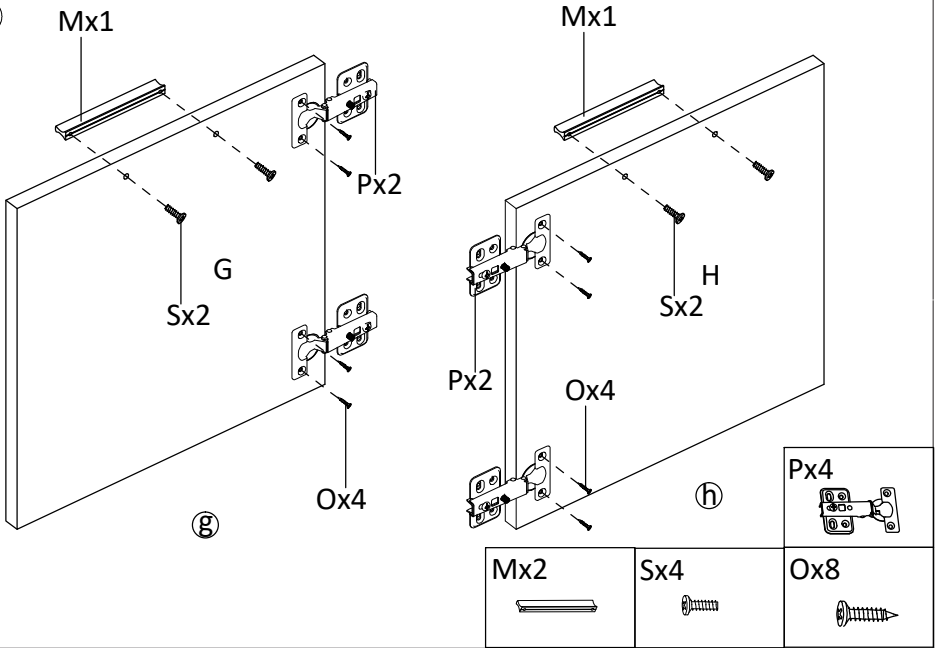
8



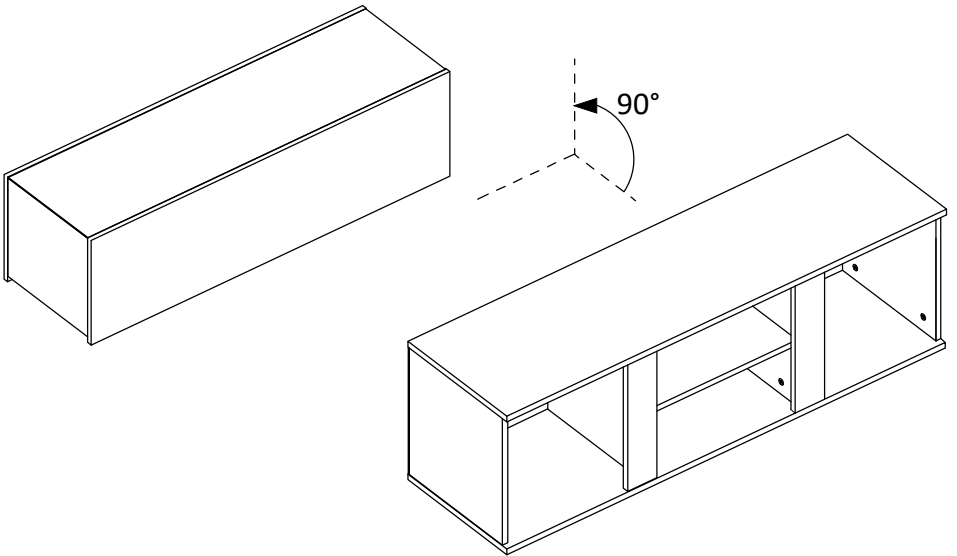
9



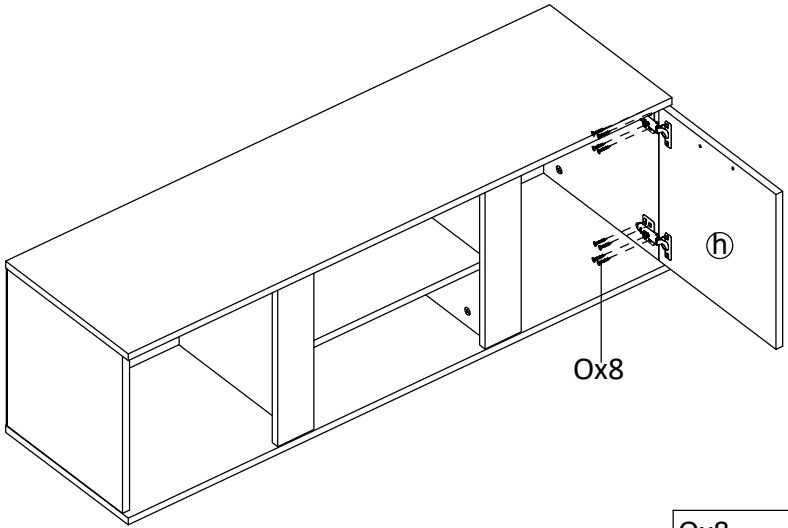
10



11



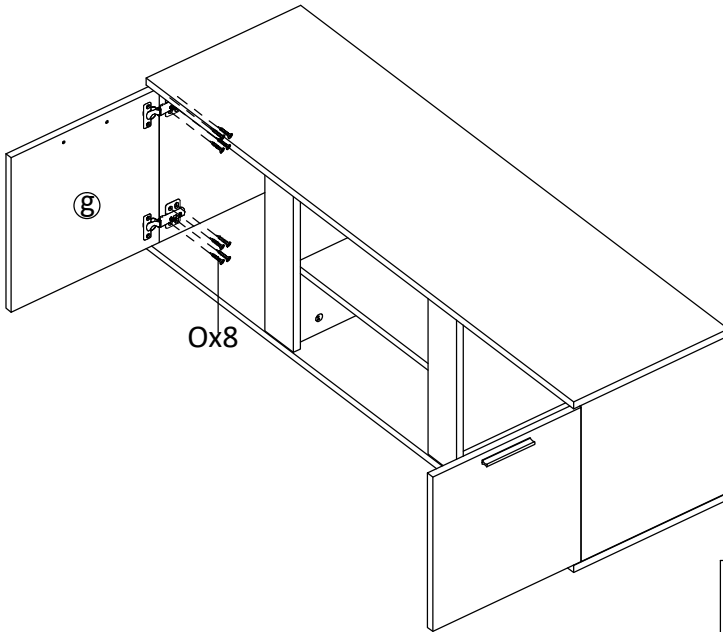
12



Ox8



13



Ox8



