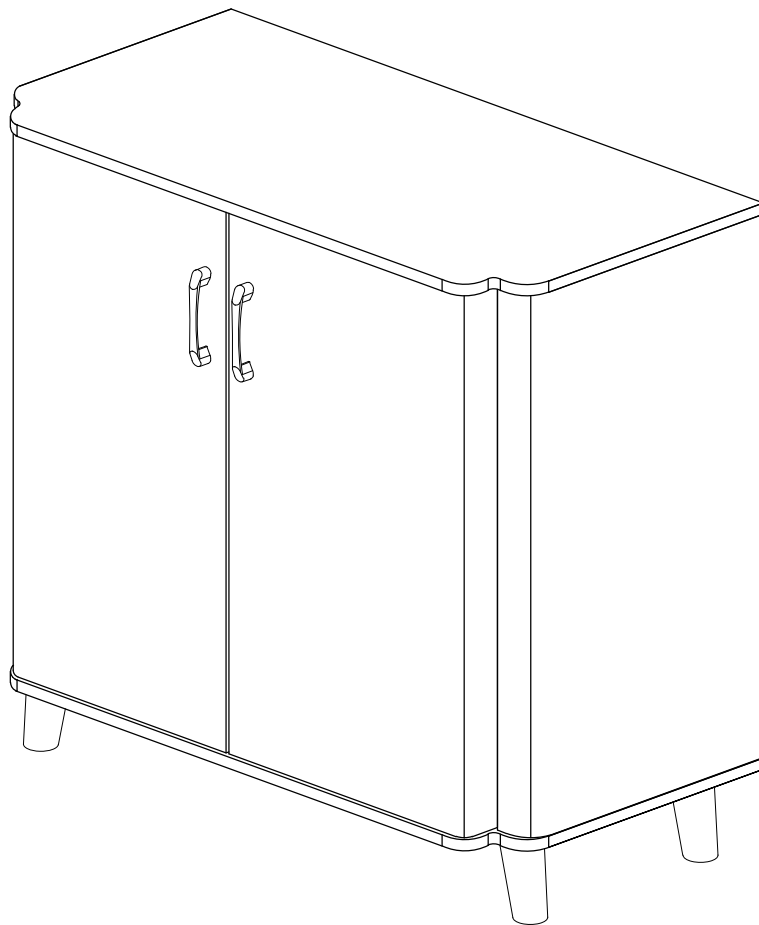


# Sideboard Cabinet

SKU WHIF2624



## ASSEMBLY INSTRUCTIONS



**80** min. assembly

**2** person

\*The estimated assembly time may vary depending on the individual.

# Hey, there

Now is assembly time!

Deeeeep breathe.... and again....  
Tools ready,  
Easy peasy!

## Estimated



**80** min. assembly  
**2** person

## Tools Required

- Allen Wrench(included)
- Phillips screwdriver(not included)

**important:** *Cautious when you use power tools*

## Need Help?

Call us at +1 909 548 6688  
Email [customerservice@luxenhome.com](mailto:customerservice@luxenhome.com)  
Submit a ticket on [www.luxenhome.com/help](http://www.luxenhome.com/help)

Thank you for purchasing this LuxenHome product. This product has been manufactured with the highest standards of safety and quality.

### **PLEASE READ ALL INSTRUCTIONS CAREFULLY BEFORE ASSEMBLY.**

Unpack all parts from the packaging inside the carton to ensure there are no missing or damaged parts. Lay out all the parts on a clean, flat, and soft surface to prevent scratches. Refer to the steps provided as assembling guide.

Do not attempt to assemble or use the product if any parts are missing or damaged.

## REMINDERS

### **SAFE USAGE IS KEY**

Your well-being is our top priority when you use our product. Please prioritize your safety by diligently following the assembly guidelines and inspecting the product carefully both when it arrives and before each use.

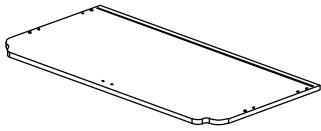
Please be aware that LuxenHome and Winsome House, Inc. cannot be held liable for any injuries or fatalities that occur due to not adhering to the provided instructions or misuse of the product.

### **DO NOT MODIFY**

Our products undergo rigorous testing to ensure they meet established safety standards before being released for sale. Altering the product in any way can lead to serious safety concerns, for which LuxenHome cannot assume responsibility.

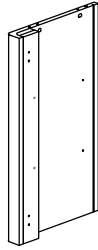
# What's in the box

## Parts



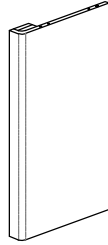
① X 1

Bottom panel



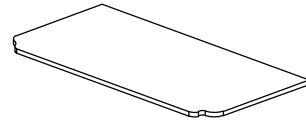
② X 1

Side panel - L



③ X 1

Side panel - R



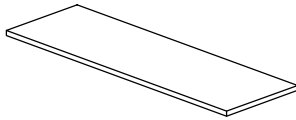
④ X 1

Top panel



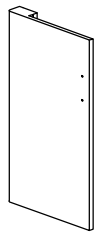
⑤ X 2

Back panel



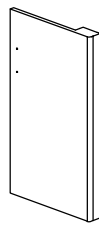
⑥ X 2

Shelf panel



⑦ X 1

Door panel - L



⑧ X 1

Door panel - R

# What's in the box

## Hardware & Accessory



**A1** X 4  
Minifix cam



**A2** X 4  
Minifix bolt



**A3** X 4  
Minifix cap



**A5** X 1  
Allen key



**B** X 8  
Wood dowel  
M8 x 25mm



**C** X 4  
Cb screw  
M4 x 45mm



**D** X 44 (+2)  
Cb screw  
M3.5 x 16mm



**F** X 4  
192 Stud



**G** X 4  
PVC corner  
L bracket



**H** X 4  
Hinges 7/8



**I** X 2  
2 pin  
stopper



**J1** X 2  
Tad 23-96  
PVC handle



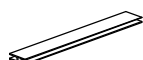
**J2** X 4  
Cb screw  
M4 x 28mm



**K** X 8  
Shelf support

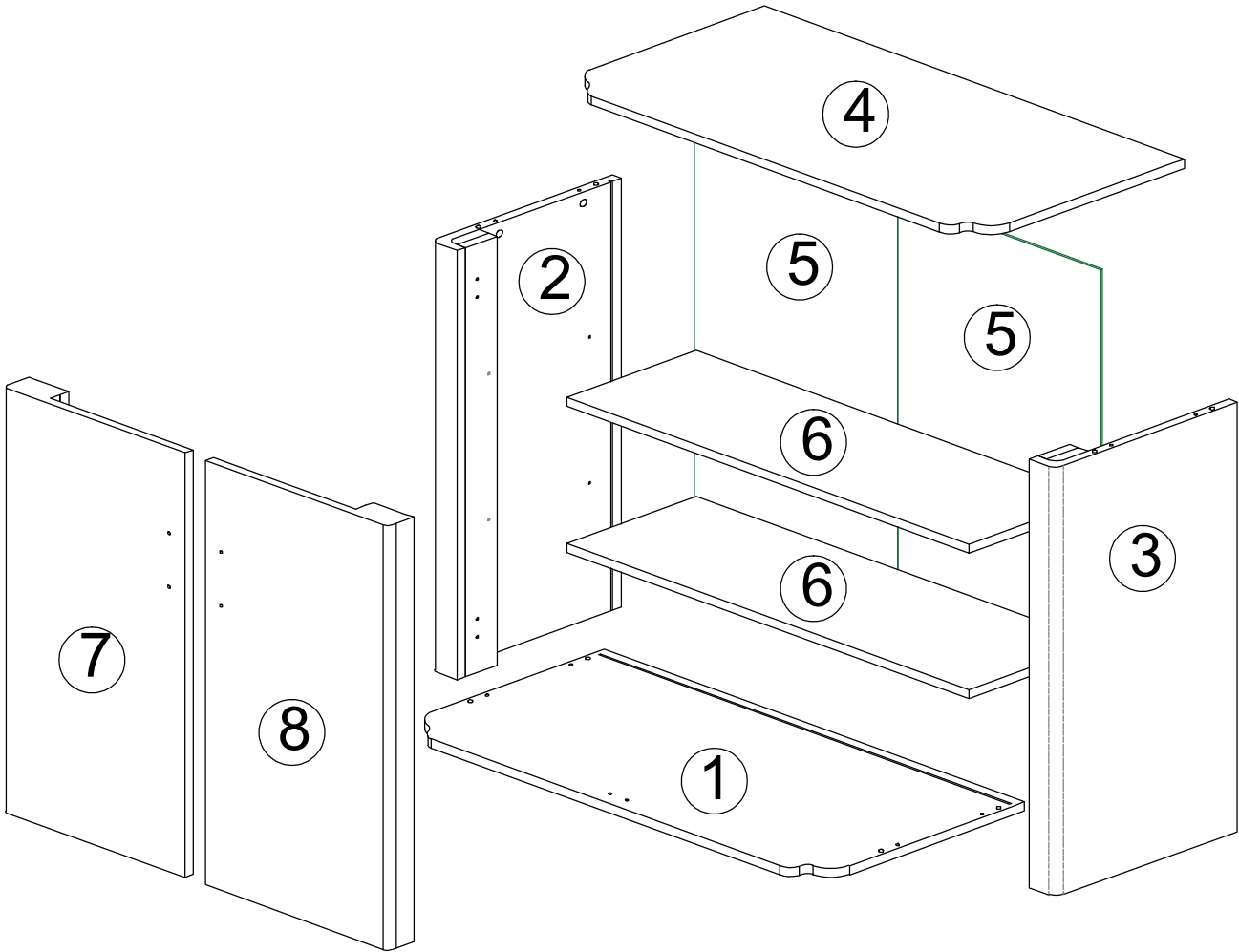


**L** X 4  
120mm round  
taper PVC leg



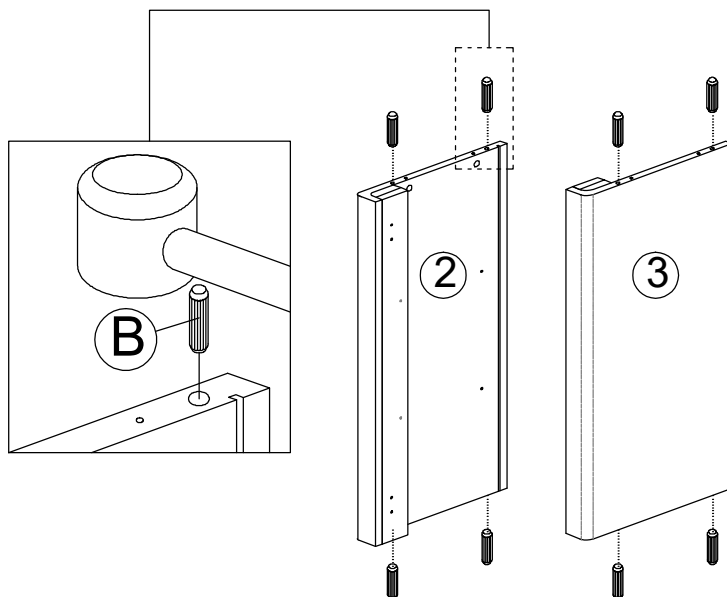
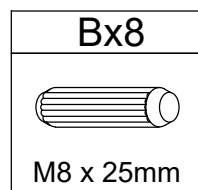
**M** X 1  
3mm PVH  
- 767mm

# Assembly



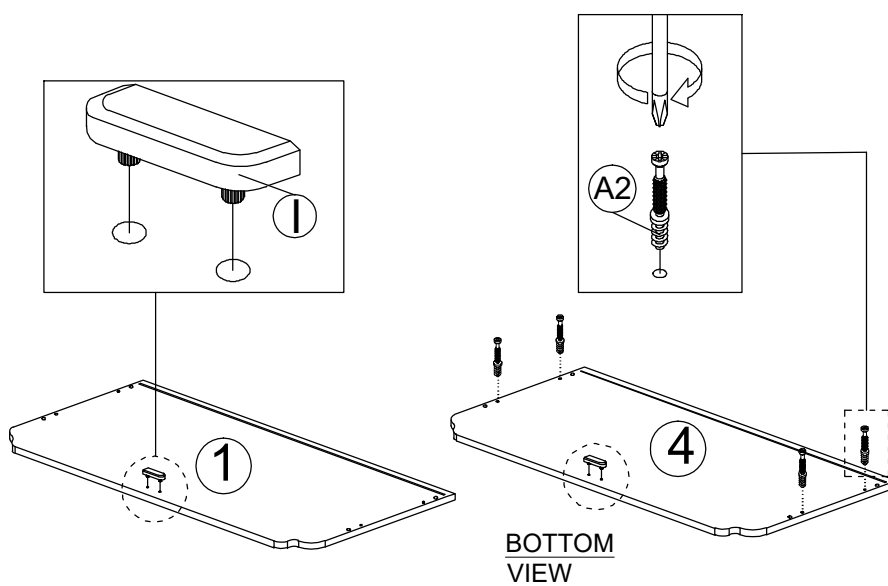
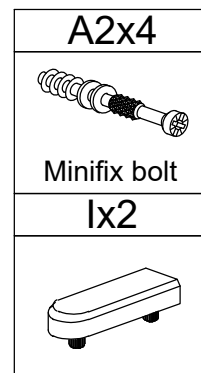
# Step 1

Insert hardware (B) into panel (2 & 3).



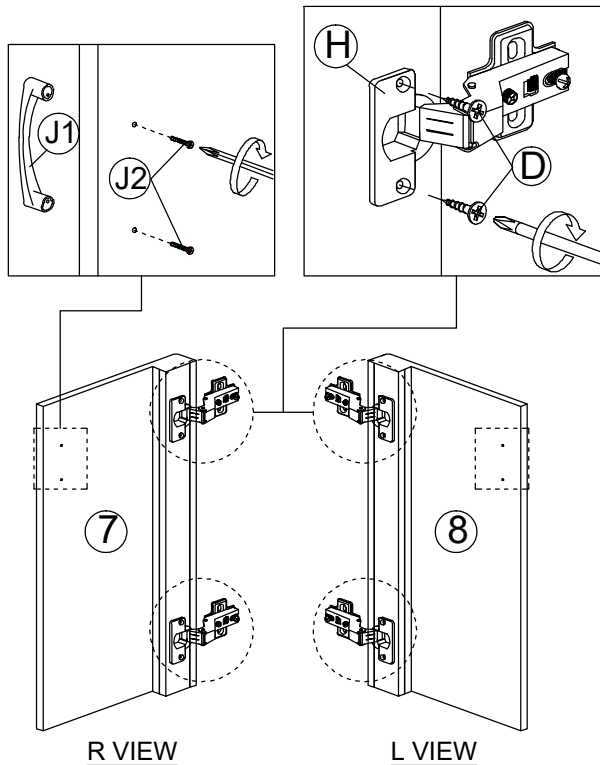
# Step 2

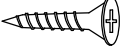
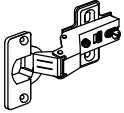

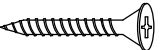
Install and tighten hardware (A2) onto panel (4). Then, Insert hardware (I) onto panel (1 & 4) as shown.



# Step 3

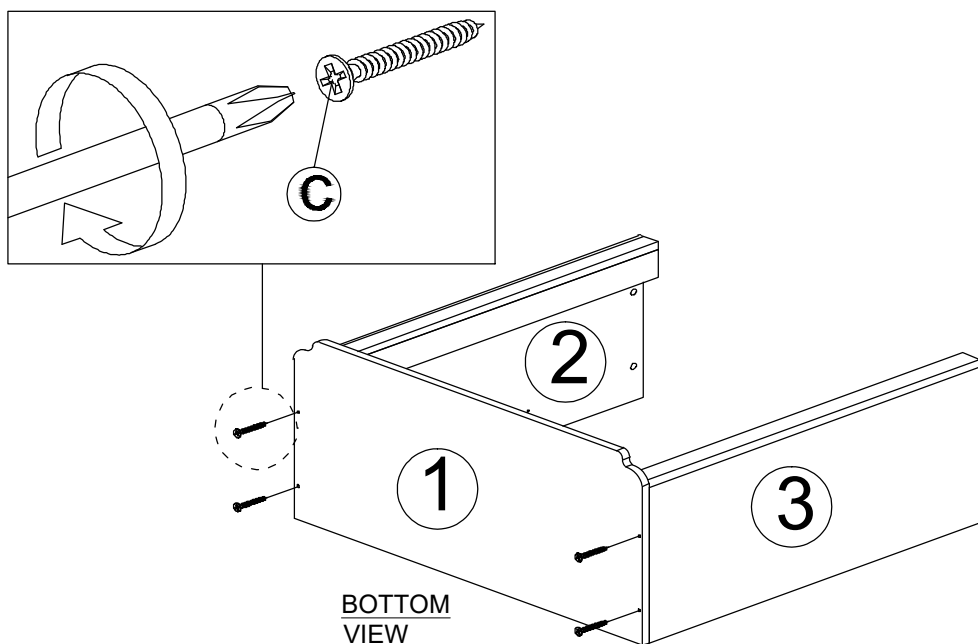
Connect the hardware (H) to panel (7 & 8) by using hardware (D).  
Then, fix hardware (J1) onto panel (7 & 8) by using hardware (J2).

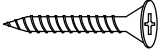


|   |
|---|
| <b>Dx8</b>  |
|  |
| M3.5 x 16mm   |
| <b>Hx4</b>  |
|  |
| <b>J1x2</b>   |
|  |
| <b>J2x4</b>   |
|  |
| M4 x 28mm   |

# Step 4

Connect the panel (1) to the panel (2 & 3) with hardware (C).

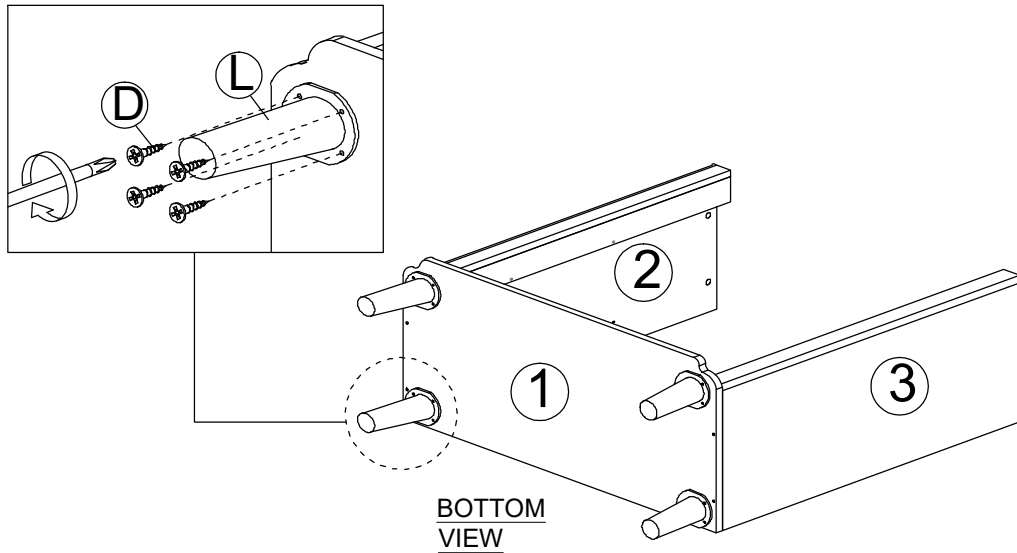



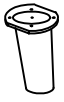
|   |
|---|
| <b>Cx4</b>  |
|  |
| M4 x 45mm   |

**\*2 PERSON REQUIRED**

# Step 5


Connect hardware (L) onto bottom side of panel (1) by using hardware (D).

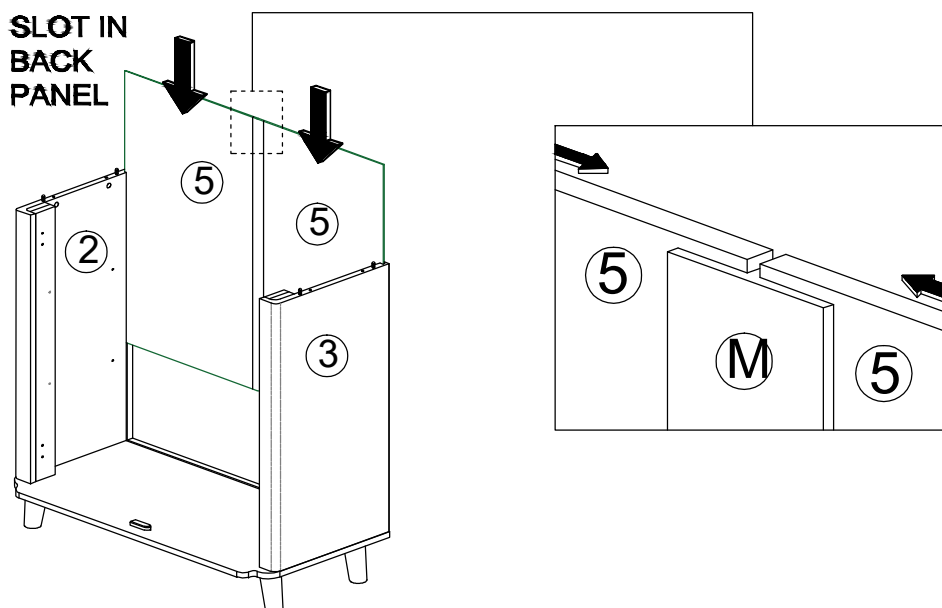


|   |
|---|
| Dx16  |
|  |
| M3.5 x 16mm   |
| Lx4   |
|  |

# Step 6

Insert back panel (5) together to hardware PVH (M). Then insert the back panel (5) between the panels (2 & 3).

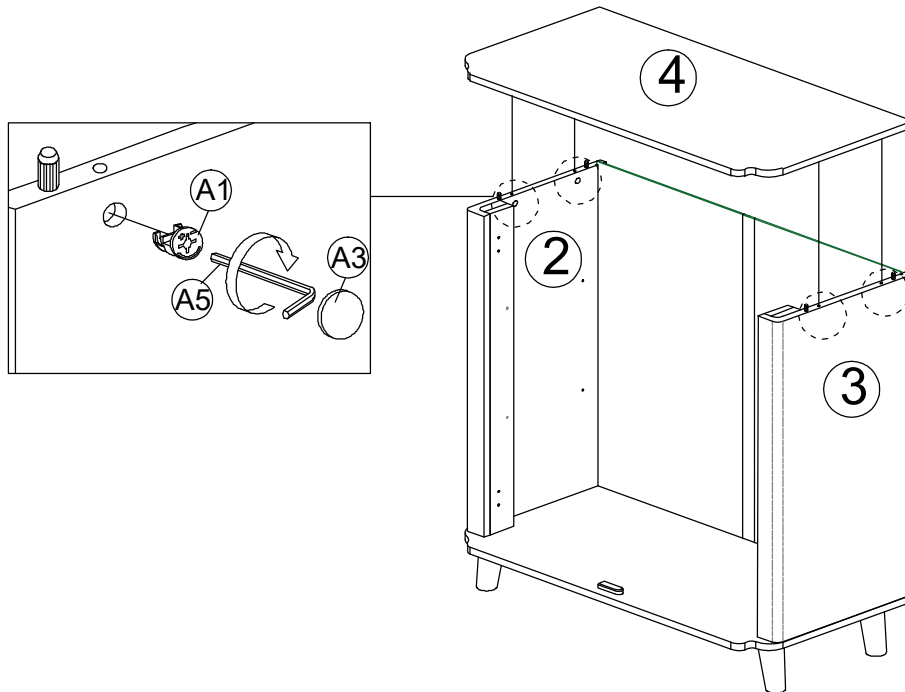
|   |
|---|
| Mx1   |
|  |



**\*2 PERSON REQUIRED**

# Step 7

Connect the panel (4) to the assemble section panel (2 & 3) by using hardware (A1 & A5). Then applied (A3) to all (A1).

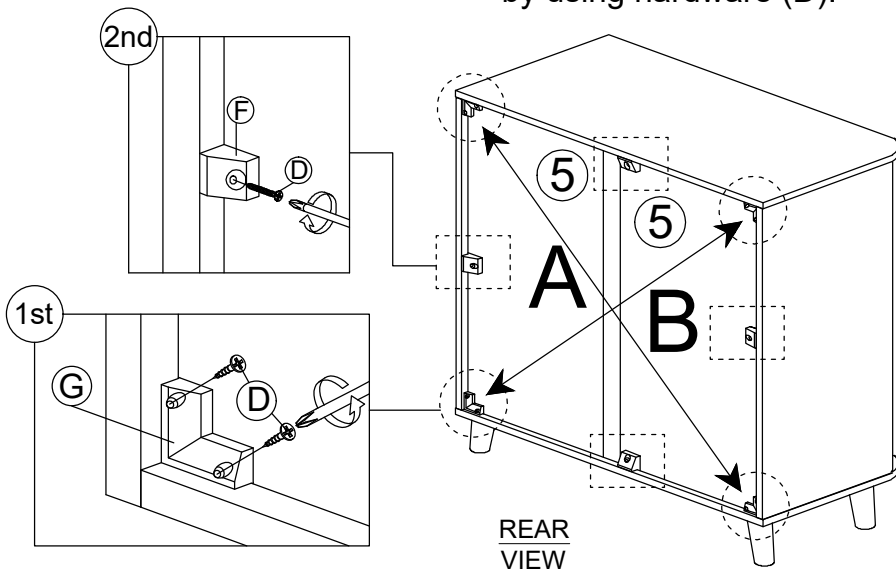


|      |
|------|
| A2x4 |
|      |
| A3x4 |
|      |
| A5x1 |
|      |

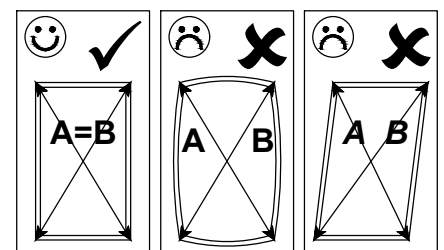
# Step 8

Please make sure the left and right doors are the same level and the backboard is right Angle before installing hardware (F & G), MUST install hardware (F & G) to strengthen product stability.

Screw in hardware (F & G) into back panel (5) by using hardware (D).

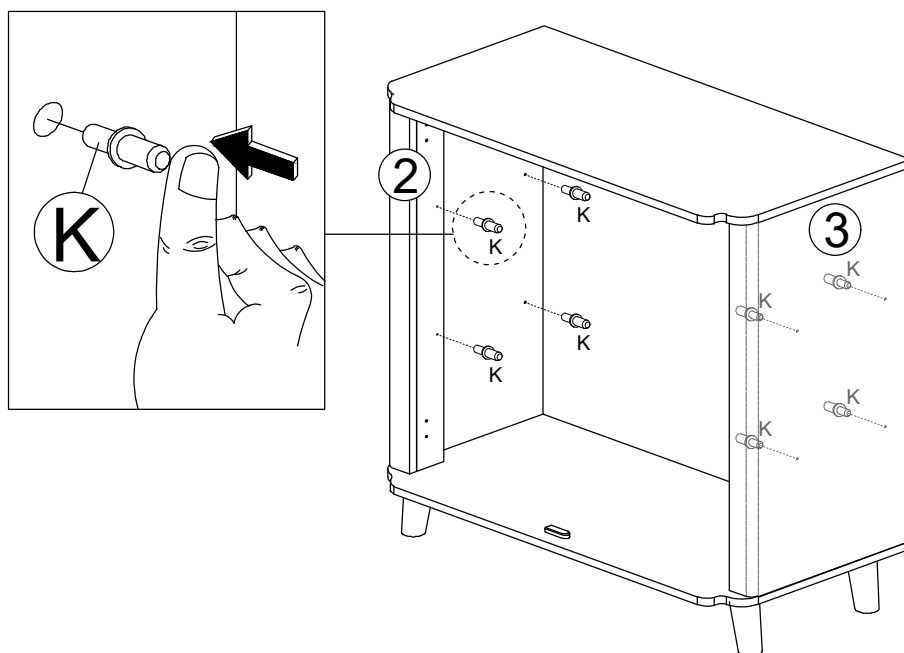
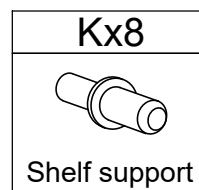


|             |
|-------------|
| Dx12        |
|             |
| M3.5 x 16mm |
| Fx4         |
|             |
| Gx4         |
|             |



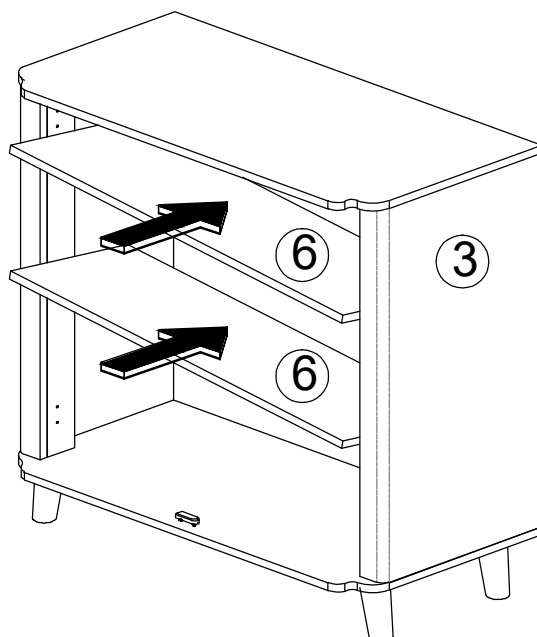
# Step 9

Insert hardware (K) onto panel (2 & 3).



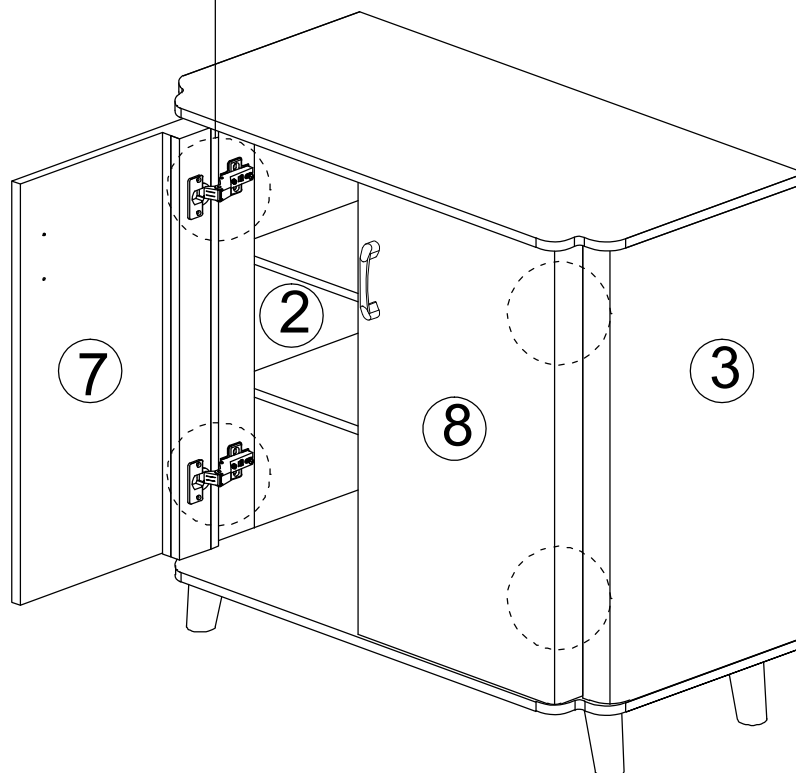
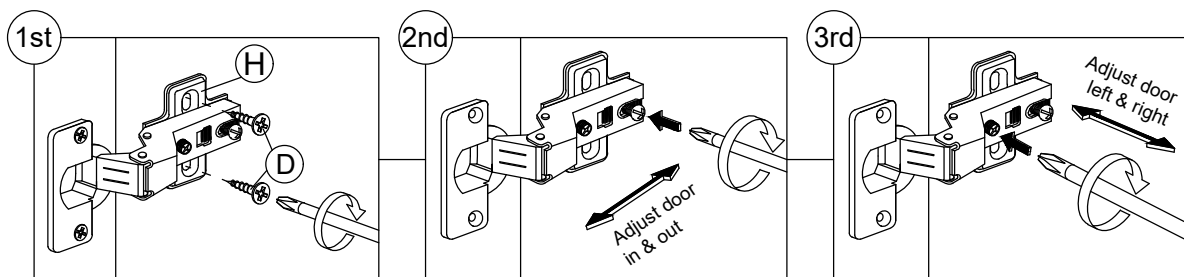
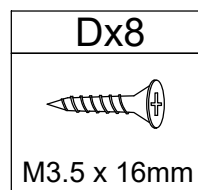
# Step 10

Slide in panel (6) into between panel (2 & 3) with slightly tilted position.

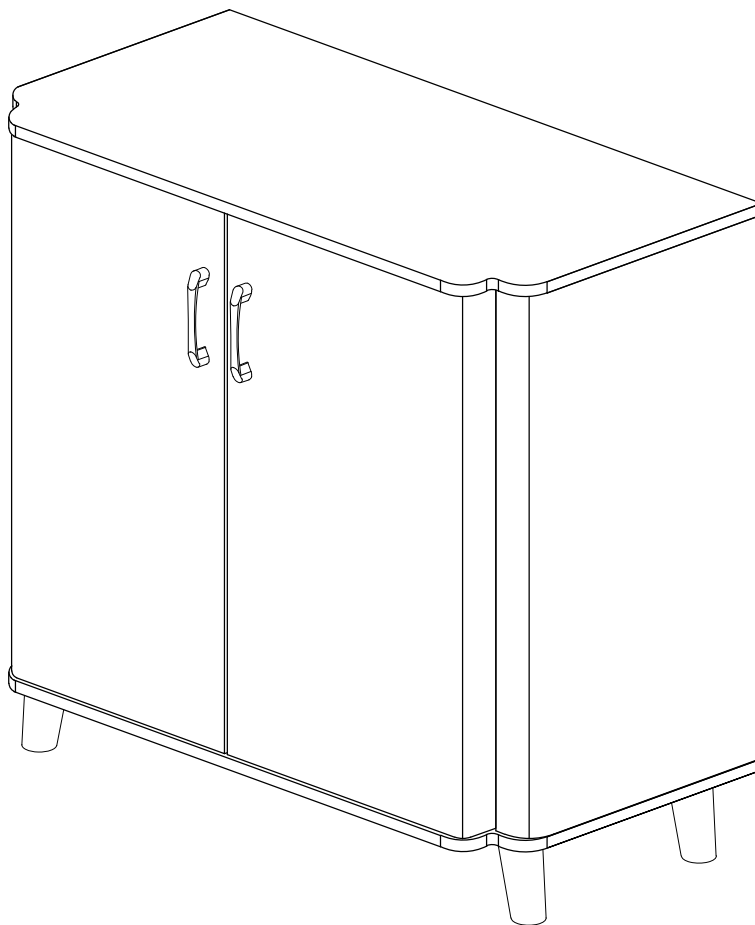


# Step 11

Connect panel (7 & 8) to panel (2 & 3) with hardware (H) by using hardware (D).



**VOILA!**  
Now enjoy.



**Warning**

DO NOT stand or sit on the cabinet as this may damage the product and cause serious bodily injury.

# Something not right?

We are always here to help.

## **We make mistakes like every human does.**

Though we always strive to provide the best possible products at competitive prices and the best service in the industry, it's not possible to completely eliminate mistakes. If you experience any dissatisfaction, feel free to contact us immediately. Our in-house customer care team will respond ASAP.



[customerservice@luxenhome.com](mailto:customerservice@luxenhome.com)  
Get response within 24 hrs



909.548.6688  
Mon-Fri 9am-5pm PST/PDT



[www.luxenhome.com/help](http://www.luxenhome.com/help)  
Submit a ticket on our website

## **Things to do to expedite the process**

- Have your order# ready
- Take photos/videos to help us better identify the issues
- DO NOT throw away the packaging

# Happy with our product?

## Leave us a review

It really help us as a small business

- Find the product you purchased on our website (tip: search by SKU) and leave us a review.
- Alternatively, you can always return to the marketplace where you purchased it and leave a review there.

## Share with others

Our customers look for REAL stuff



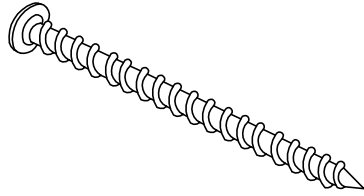
- Follow us on IG @luxen.home
- Share your #liveluxen moments



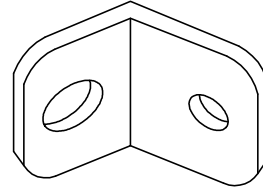
**Please save this manual  
for future reference.**

# Installation of Anti-Tip Restraint

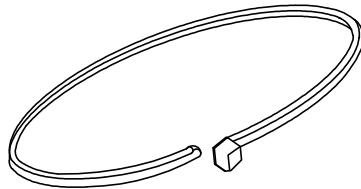
Kit includes:



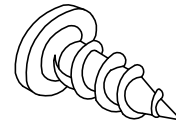
**A (x1)**  
**Long screw**



**B (x2)**  
**Mounting bracket**



**C (x1)**  
**Restraint strap**



**D (x1)**  
**Short screw**



## WARNING



**Serious or fatal crushing injuries can occur from furniture tip-over. To help Prevent tip-over:**

- Install tip-over restraint provided
- Place heaviest items in the lower drawers
- Do not set TV's or other heavy objects on top of this product
- Never allow children to climb or hang on drawers, doors or shelves
- Never open more than one drawer at a time
- Do not defeat or remove the drawer interlock system

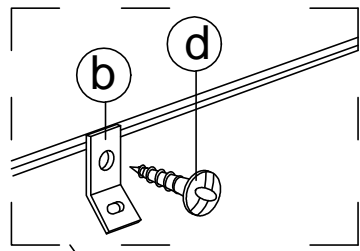
**Use tip-over restraints may only reduce but not eliminate the risk of tip-over.**

**IMPORTANT:** Use of this safety kit is mandatory. This restraint is not a substitute for proper adult supervision. Failure to detach this restraint before moving furniture may result in injury and damage.

# FITTING OF ANTI-TIP SAFETY STRAP

## STEP 1:

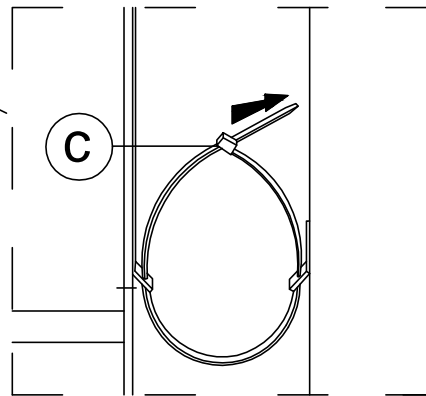
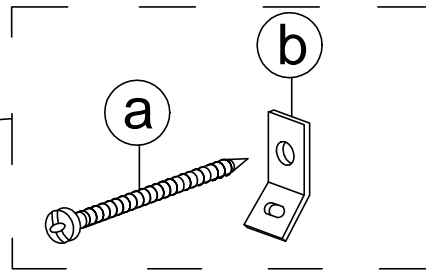
- Attach the mounting bracket (b) to the furniture in the solid part below the top panel a few inches away from the side of the unit.
- Screw (d) through the smallest hole of (b).



BACK SIDE OF TOP PANEL

## STEP 2:

- Locate a stud in behind the have to
- Place the other mounting bracket (b) on the wall stud 2 inches below the mounting bracket secured to the back of your unit.
- Attach to the wall stud using (a) through the smaller hole of (b).



## STEP 3:

- Repeat the same step a few inches away from the other side of the unit.
- Place the furniture into position so both mounting brackets are vertically in line.
- Lace the end of the restraint strap through the larger holes in each mounting bracket.
- Secure the straps and lock into place.

FURNITURE

WALL

