

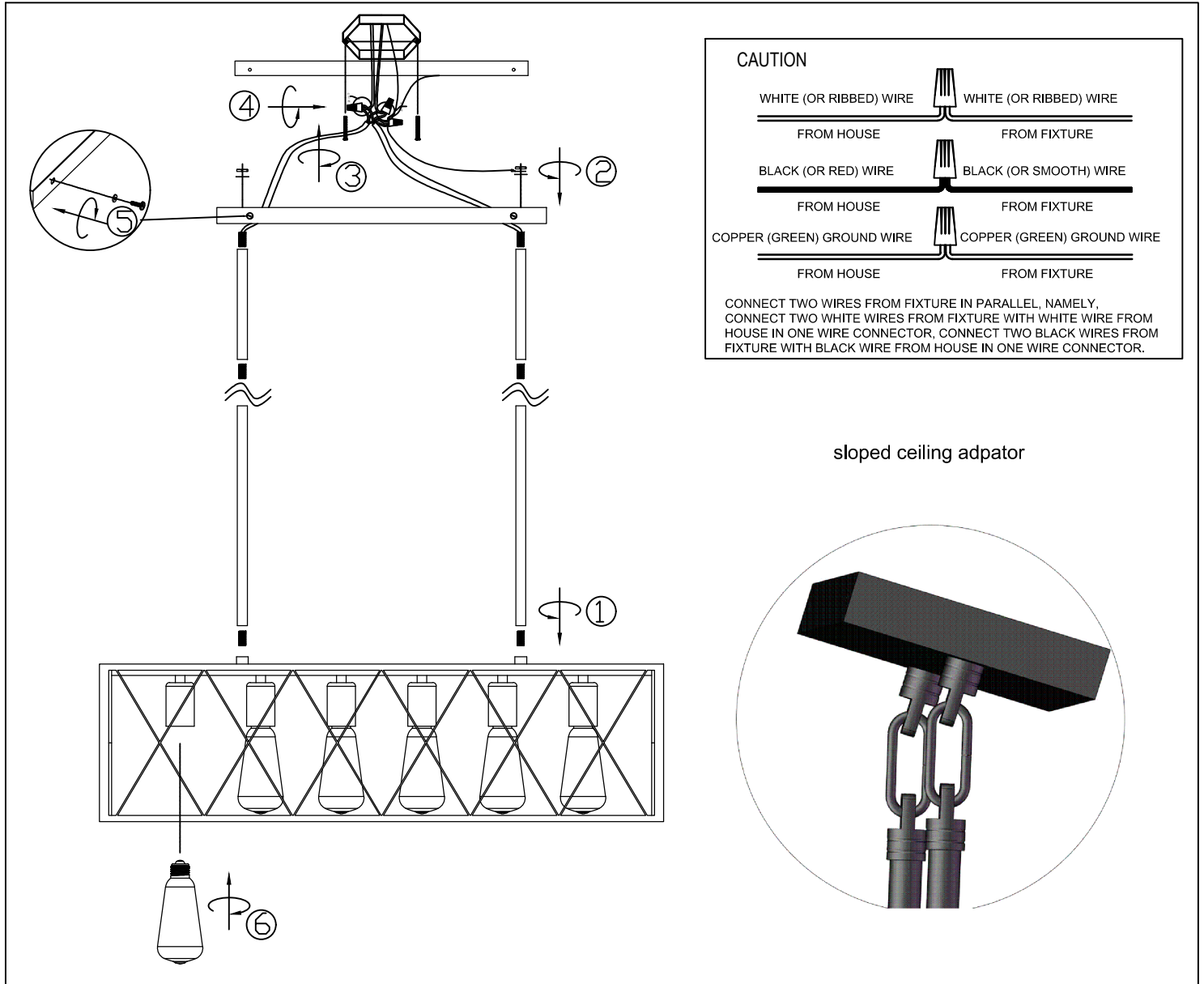
# USER MANUAL

## CAUTION

- 1) BE SURE THE ELECTRICITY TO THE WIRES YOU ARE WORKING ON IS SHUT OFF; EITHER THE FUSE IS REMOVED OR THE CIRCUIT BREAKER IS TURNED OFF. TURNING THE POWER OFF USING THE LIGHT SWITCH IS NOT SUFFICIENT TO PREVENT ELECTRICAL SHOCK.
- 2) DO NOT INSTALL OR USE THE LIGHT FIXTURE IF ANY PART IS MISSING OR DAMAGED.
- 3) TO PROTECT THE FINISH, DO NOT USE CLEANSERS OR ABRASIVES DURING MAINTENANCE.
- 4) TO AVOID POSSIBLE FIRE OR ELECTRICAL SHOCK, MAKE SURE NO BARE WIRE STRANDS ARE EXPOSED OUTSIDE WIRE CONNECTORS.



## INSTALLATION DIAGRAM



## SPECIFICATION

<b>Input Voltage:</b>	110~120V 50/60Hz
<b>Wattage:</b>	E26 Max 60W per socket, bulb not included
<b>Dimension:</b>	Canopy Size: Length 17.72in (45cm)Width 4.37in (11.1cm)Height 0.87in (2.2cm) Fixture Size: Length 30.31in (77cm)Width 9.65in (24.5cm)Height 8.86in (22.5cm) 3 set 11.81in ( 30cm ) down rods, 1 set 5.91in ( 15cm ) down rod, 1 set sloped ceiling adaptor