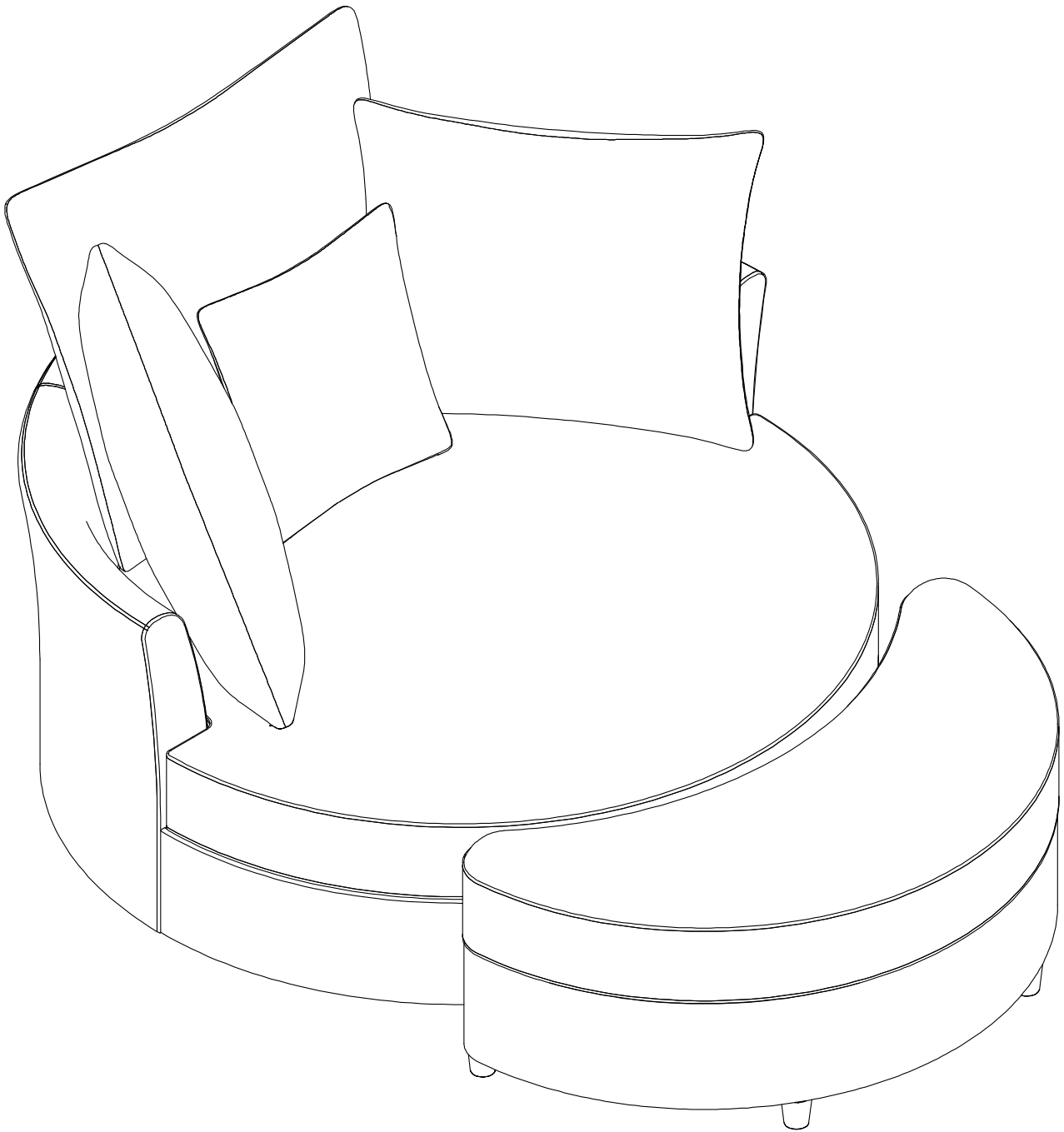
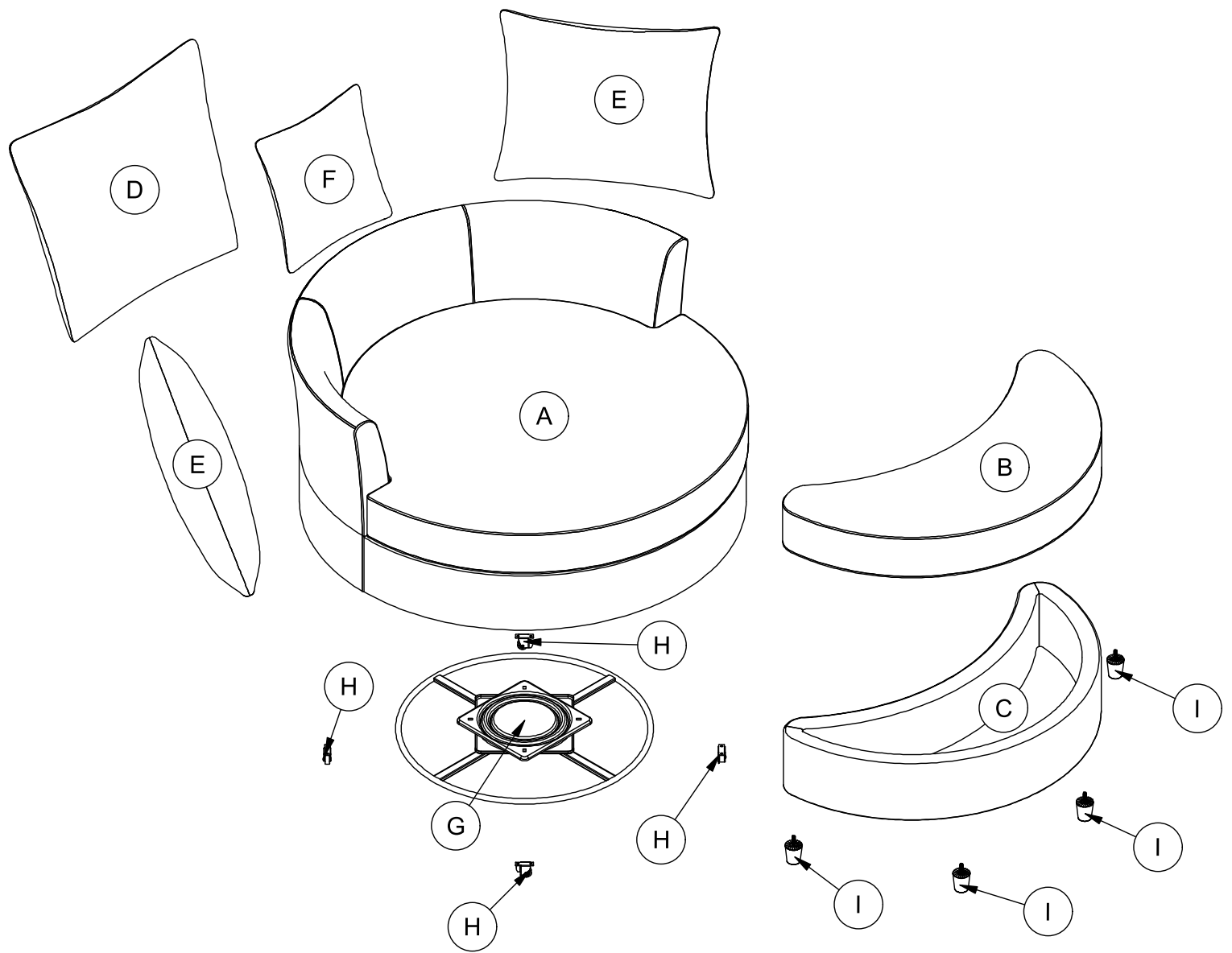


Assembly Instruction

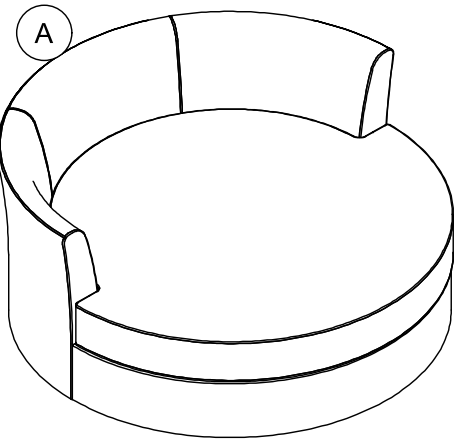
WF323718



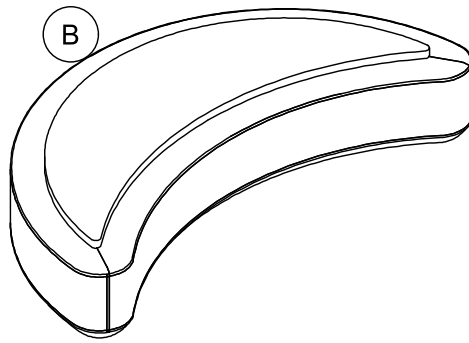
PARTS



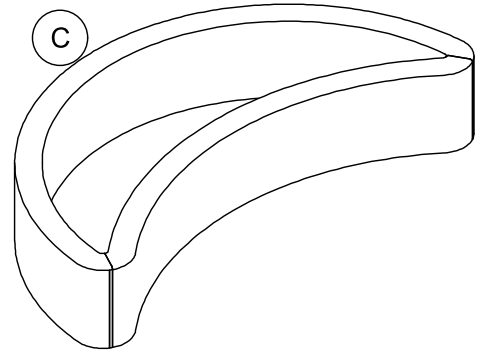
PARTS LIST



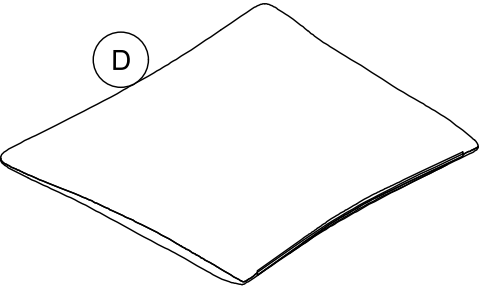
Sofa Seat
1 PC



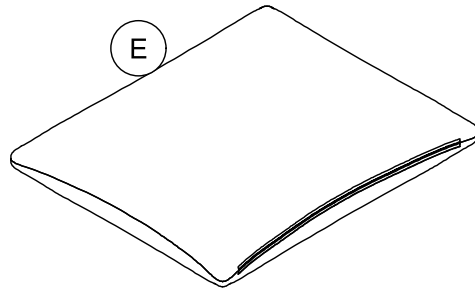
Ottoman Seat
1 PC



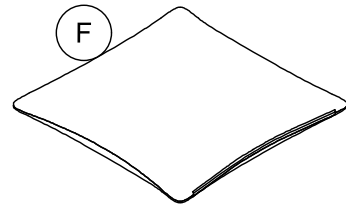
Ottoman Base
1 PC



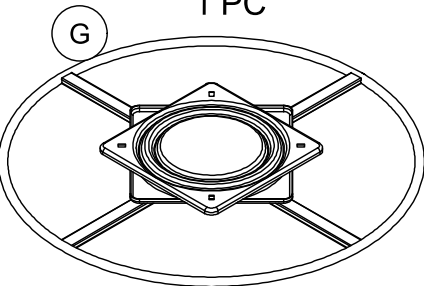
Back Cushion
1 PC



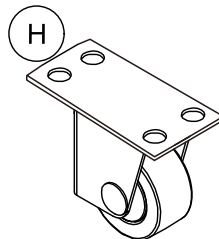
Side Cushion
2 PCS



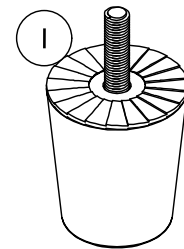
Pillow
1 PC



Swivel
1 PC

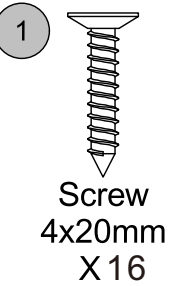


Wheel
4 PCS

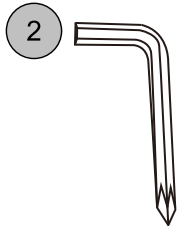


Ottoman Leg
4 PCS


HARDWARE

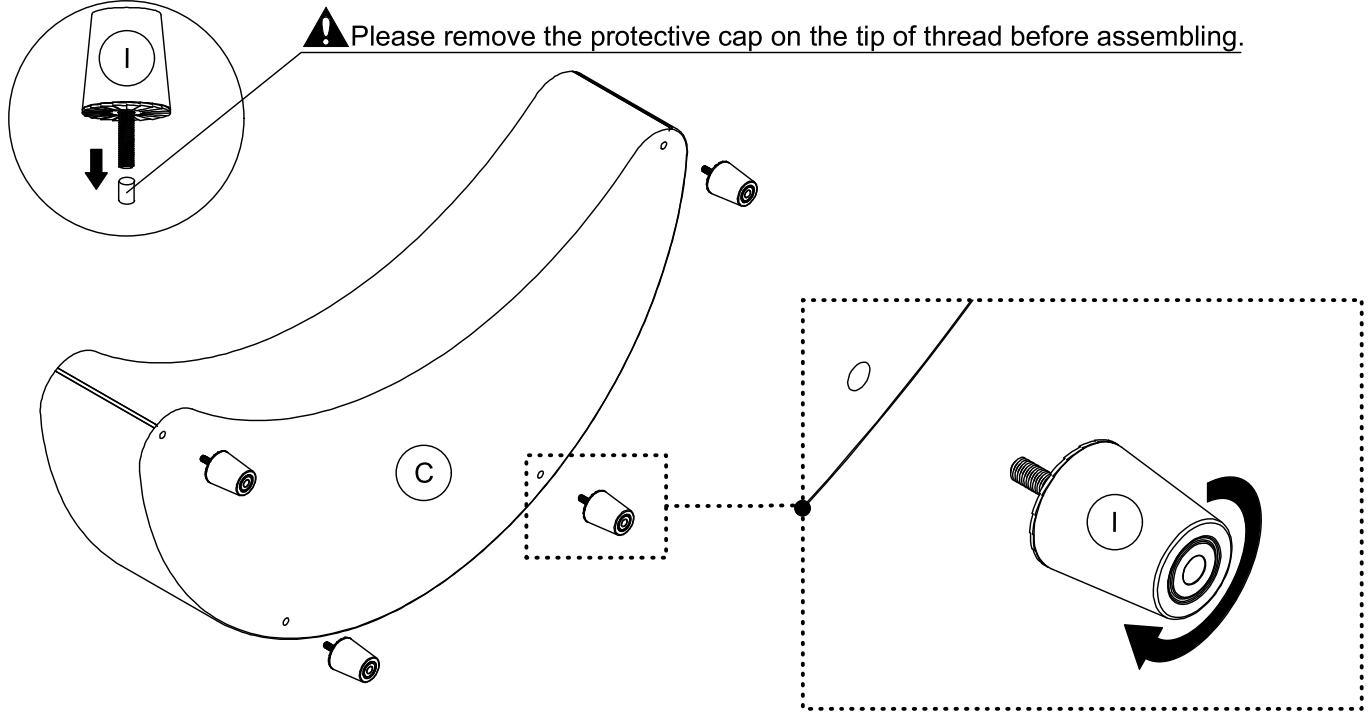


Screw
4x20mm
X16

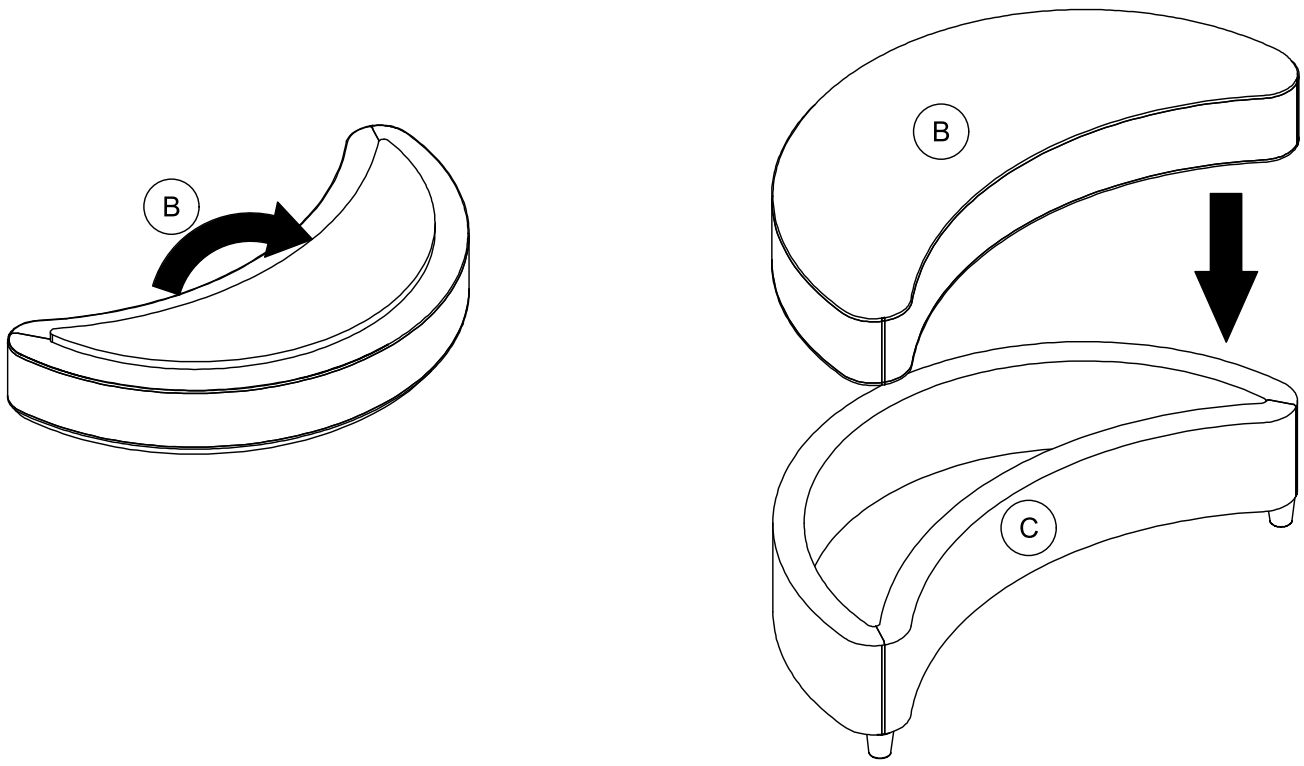


Step 1:
Manually screw I x 4 to C, as shown.

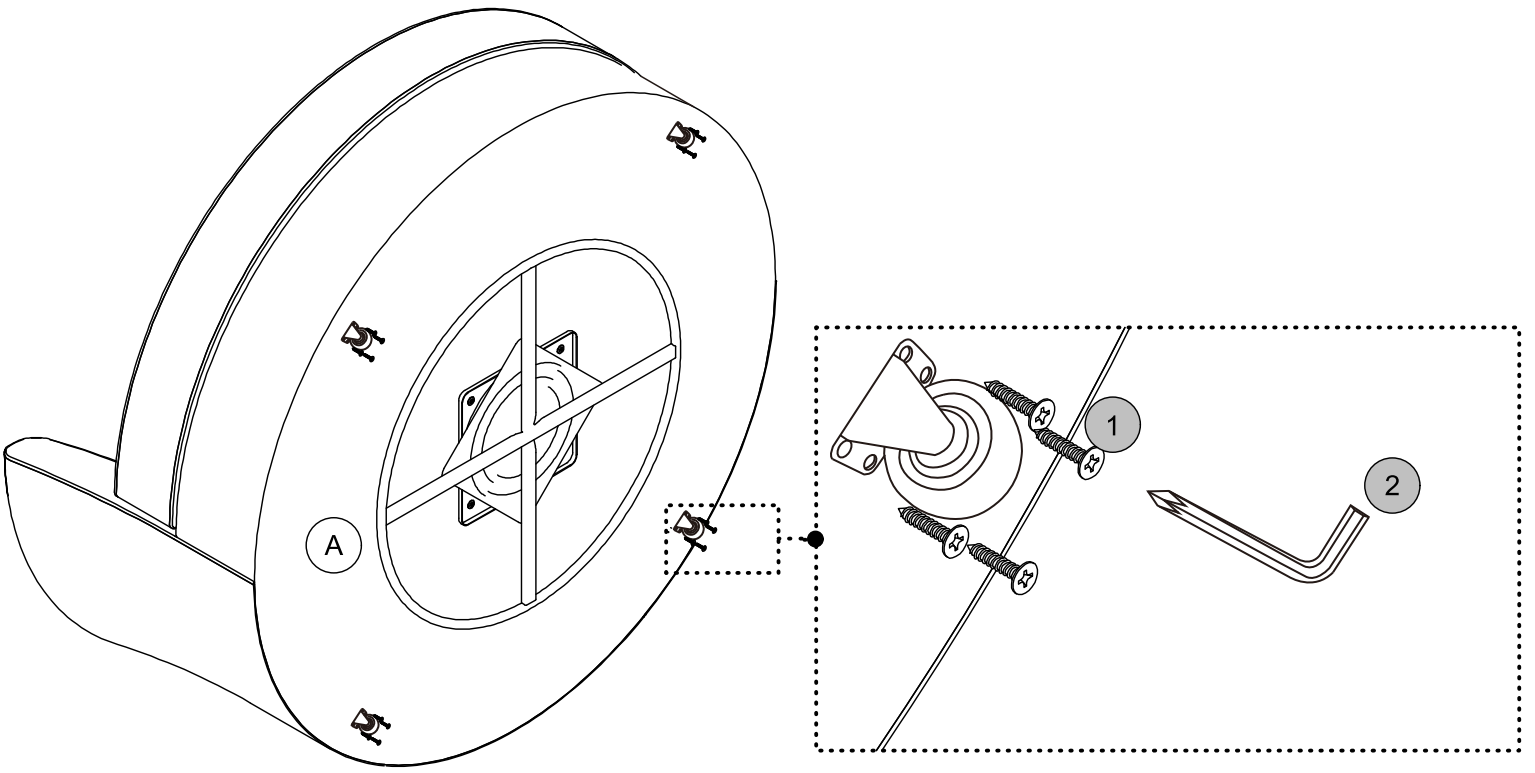
 Please remove the protective cap on the tip of thread before assembling.



Step 2:
Put B onto C, as shown.

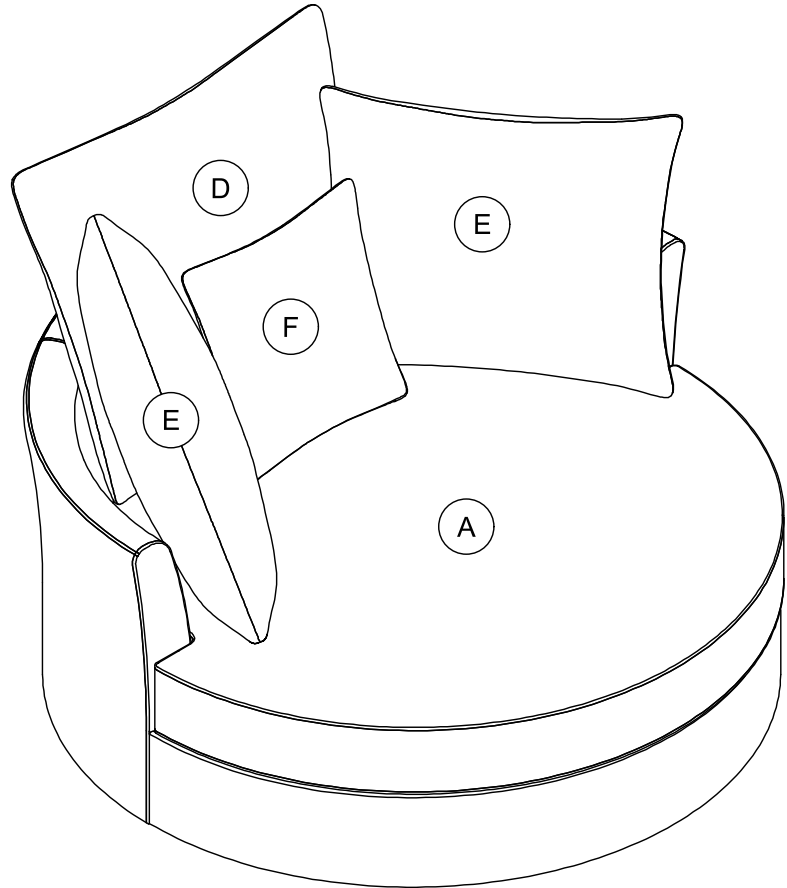


Step 3:



Step 4:

Put D, E x 2 & F onto A, as shown.



Helpful Hints

- Move your new furniture carefully, with two people lifting and carrying the unit to its new location.
- Your furniture can be disassembled and reassembled to move.
- Clean the product with a soft damp cloth. **DO NOT** use harsh chemicals or abrasive cleaners.

