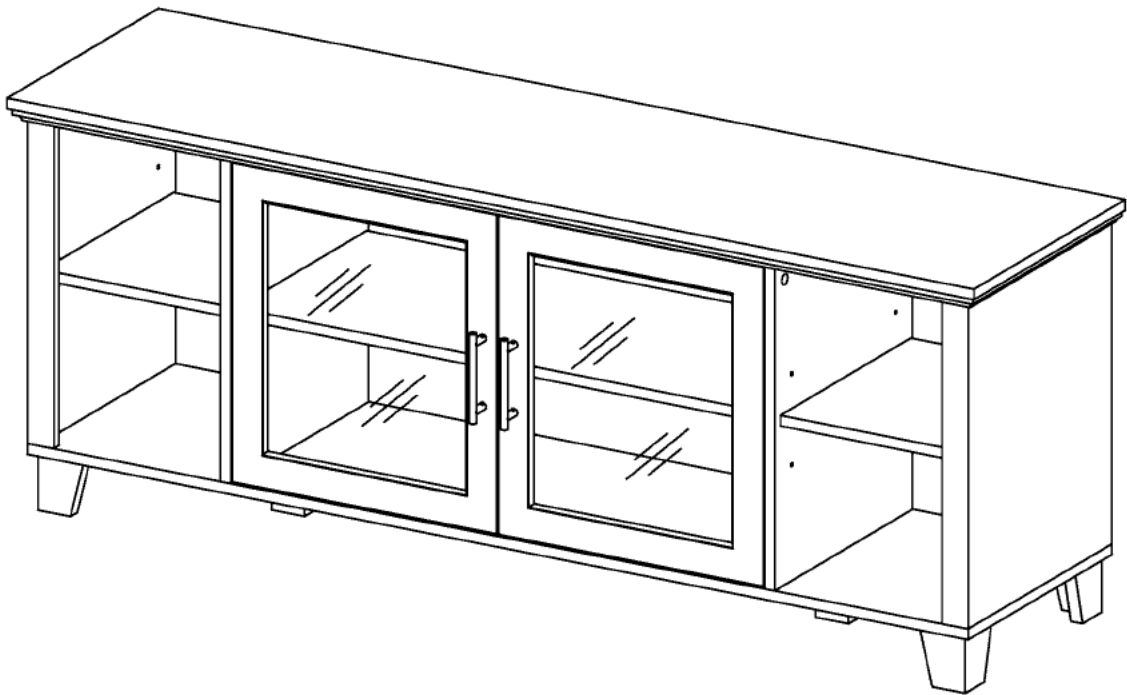
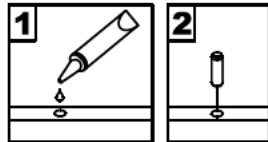


# Assembly Instructions

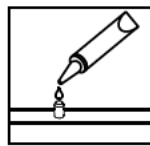


# General Assembly Guidelines

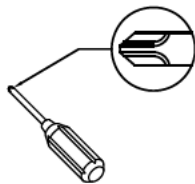
- I. Ensure that all parts and hardware are available before beginning assembly.
- II. Follow each step carefully to ensure the proper assembly of this product.
- III. Two people are recommended for ease in the assembly of this product.
- IV. The three main types of hardware used to assemble this product are : wood dowels , screws and bolts.
- V. The provided glue is to secure wood dowels in place . When first inserting dowels , locate the appropriate hole for the dowel , place a small amount of glue in the hole and insert the dowel . Wipe away excess glue immediately.



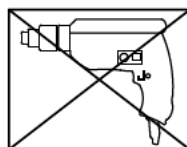
In future assembly steps when dowels are necessary to attach assembly parts together , place a small amount of glue on the end of the dowel before attaching parts together . Wipe away excess glue immediately.



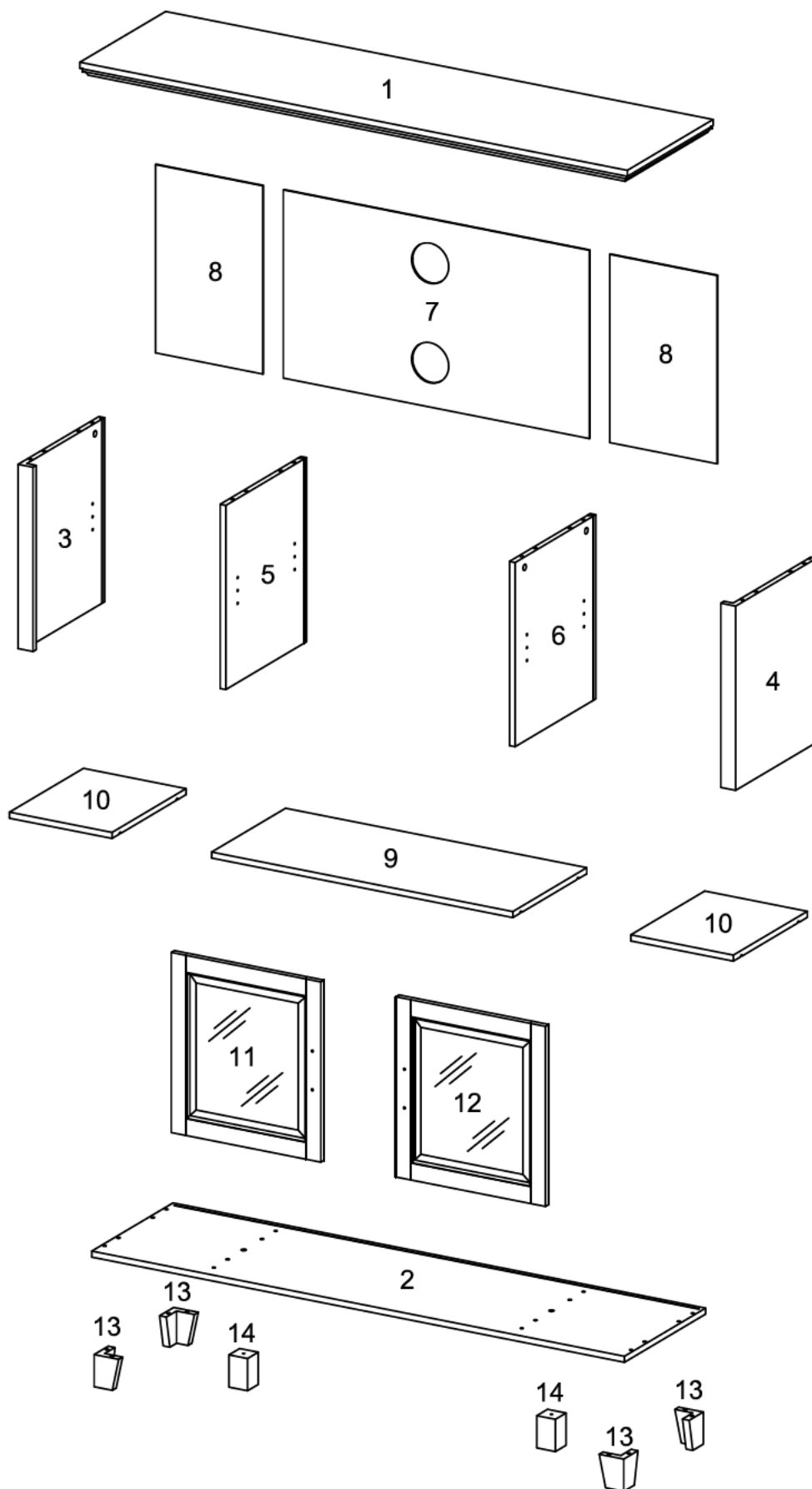
- VI. A Phillips head screwdriver is required for the assembly of this product .






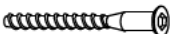






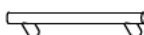



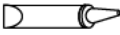




- VI. Power tools should not be used to assemble this product .

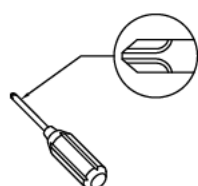


# Parts List



## Hardware List

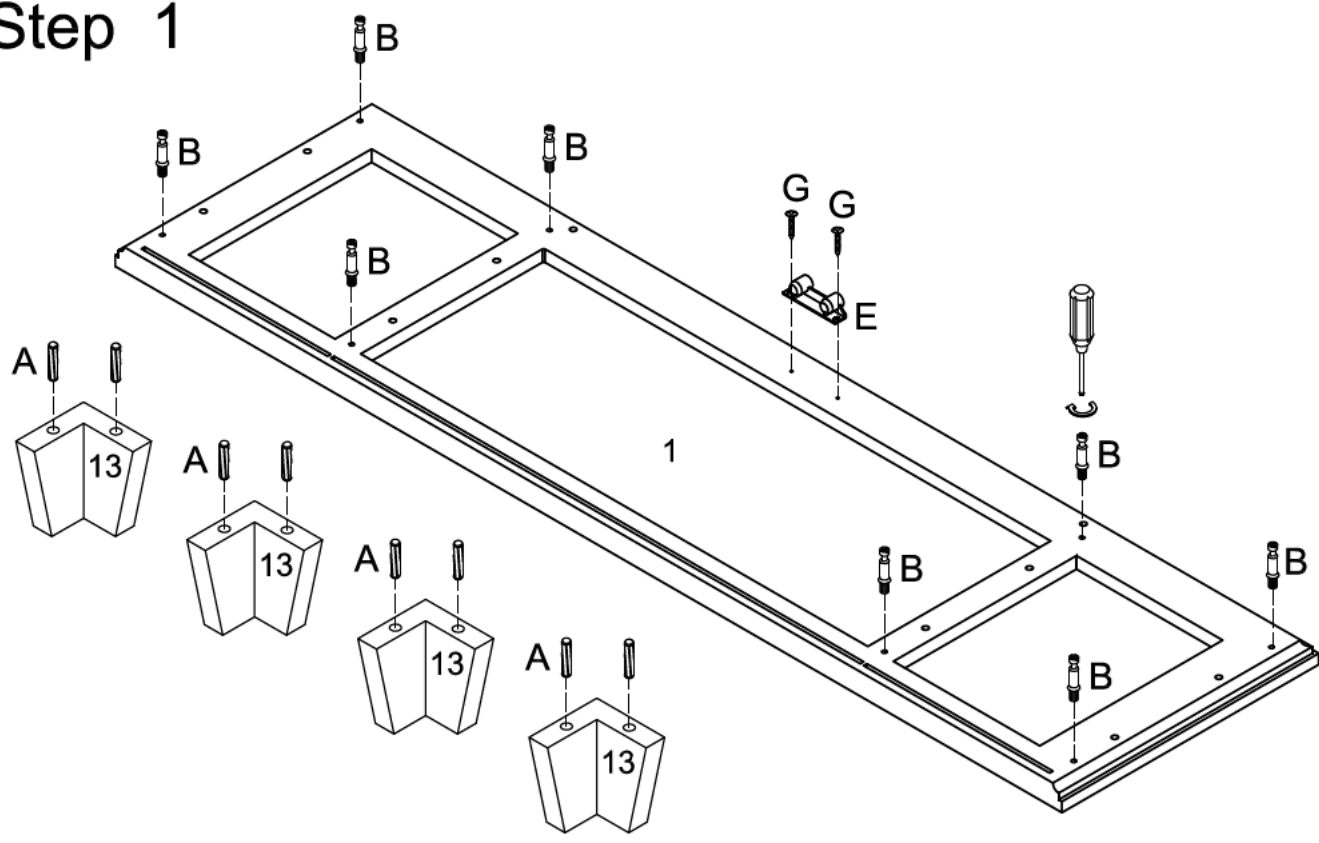
A		Ø8x30mm	Wooden dowel	24 pcs
B		Ø6x35mm	Cam bolt	8 pcs
C		Ø15x11mm	Cam lock	8 pcs
D		Ø6x50mm	Bolt	10 pcs
E			Door stopper	1 pc
F			Bolt	2 pcs
G		Ø3x15mm	Screw	2 pcs
H		Ø3x12mm	Screw	8 pcs
I		40x15.5x15mm	Door Hinge	2 pcs
J		40x15.5x15mm	Door Hinge	2 pcs
K			Handle	2 pcs
L		Ø4x22mm	Screw	4 pcs
M		Ø9.5x12mm	Plastic pivot	4 pcs
N		Ø5x8x16mm	Shelf support pin	12 pcs
O			Glue tube	1 pc
P			Plastic wedge	12 pcs
Q		Ø3x17mm	Screw	12 pcs
R		Ø30mm	Sticker	8 pcs
S		M4	Wrench	1 pc



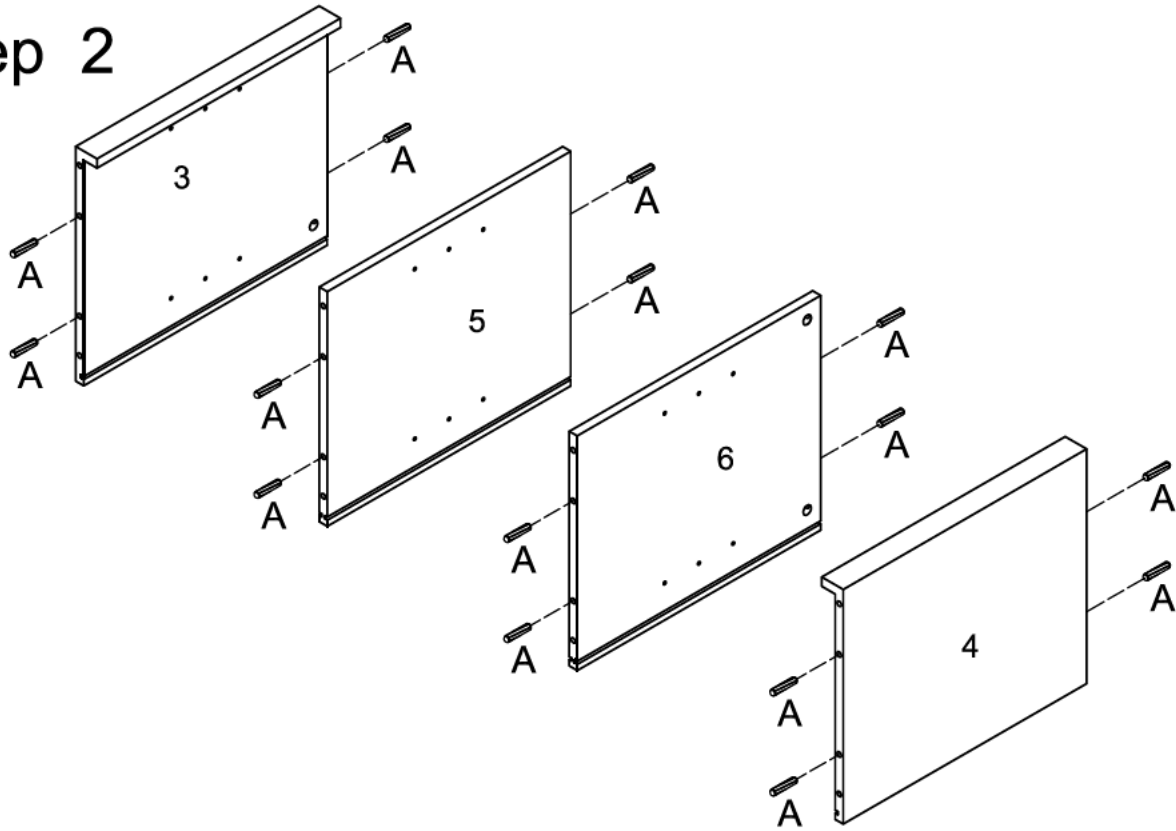
Philips head screwdriver required for assembly  
(not included)

*The hardware quantities listed above are required for proper assembly.  
Some extra hardware may also have been included.*

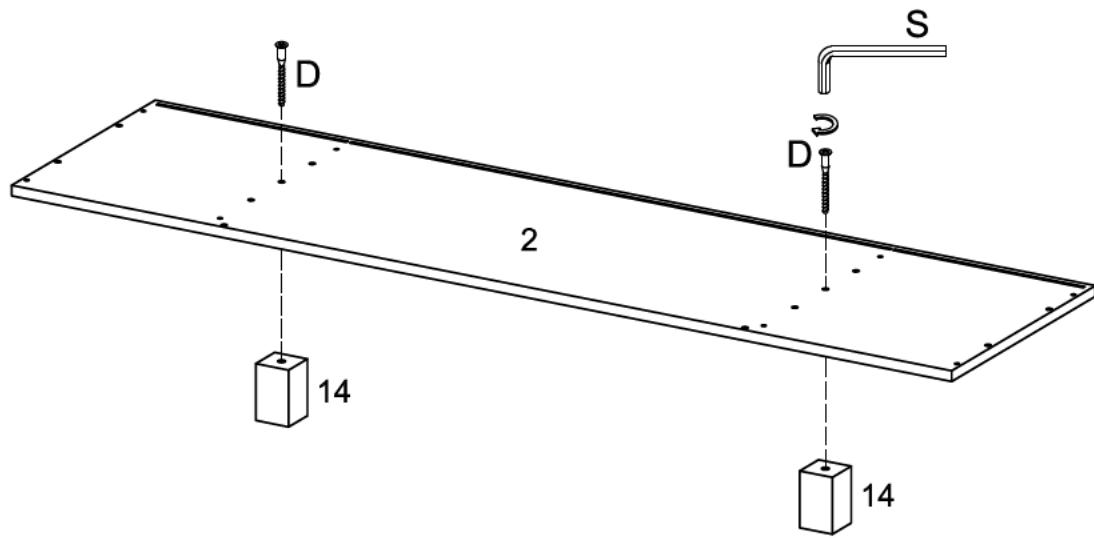
# Step 1



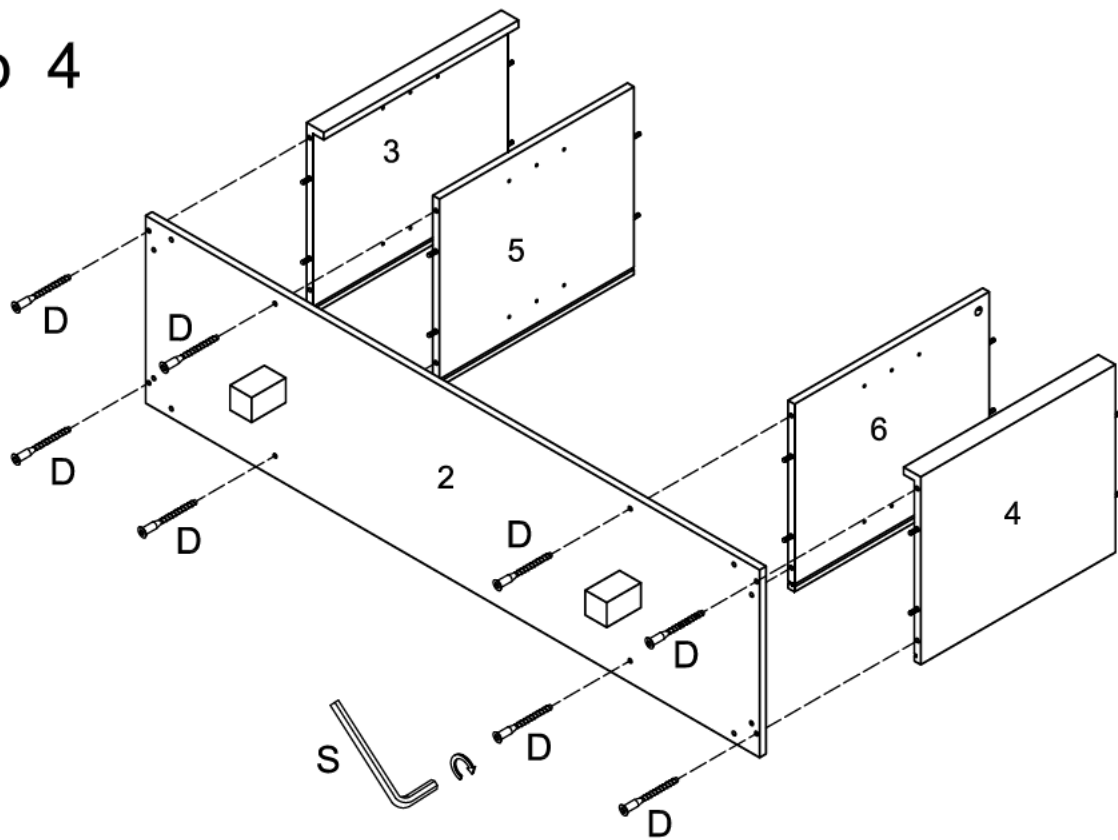
# Step 2



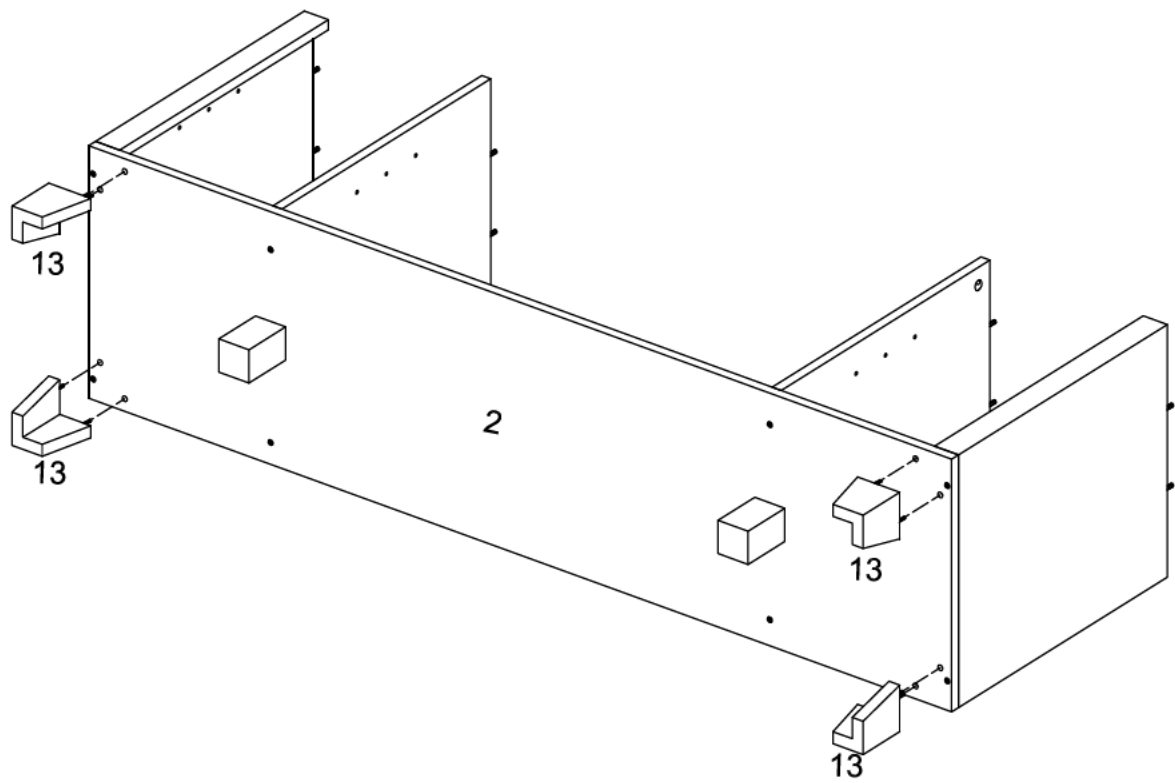
# Step 3



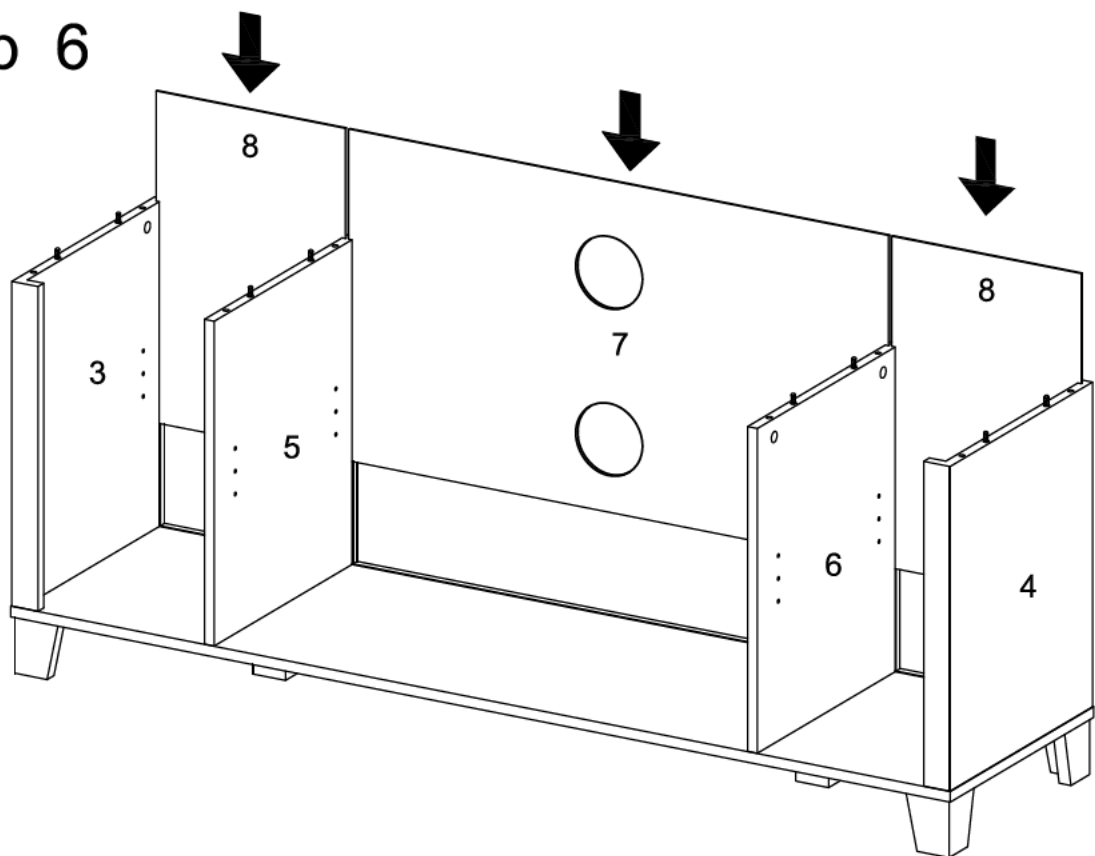
# Step 4



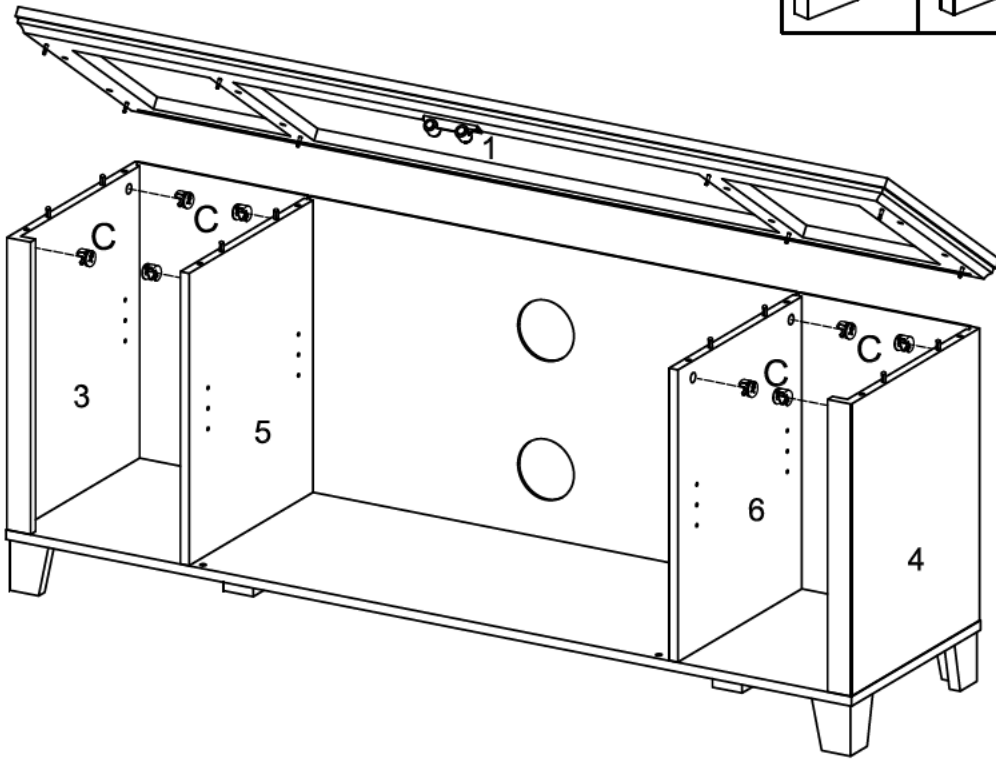
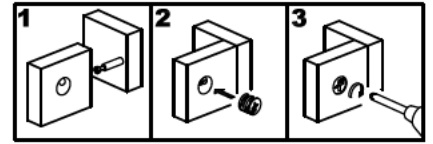
# Step 5



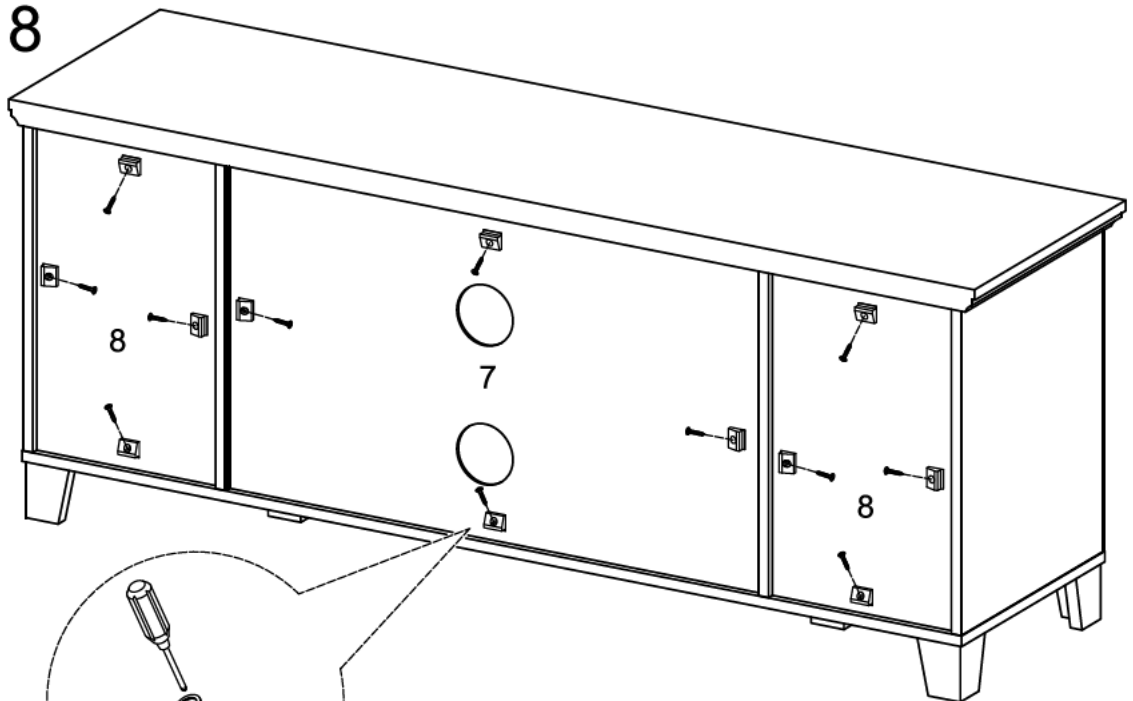
# Step 6



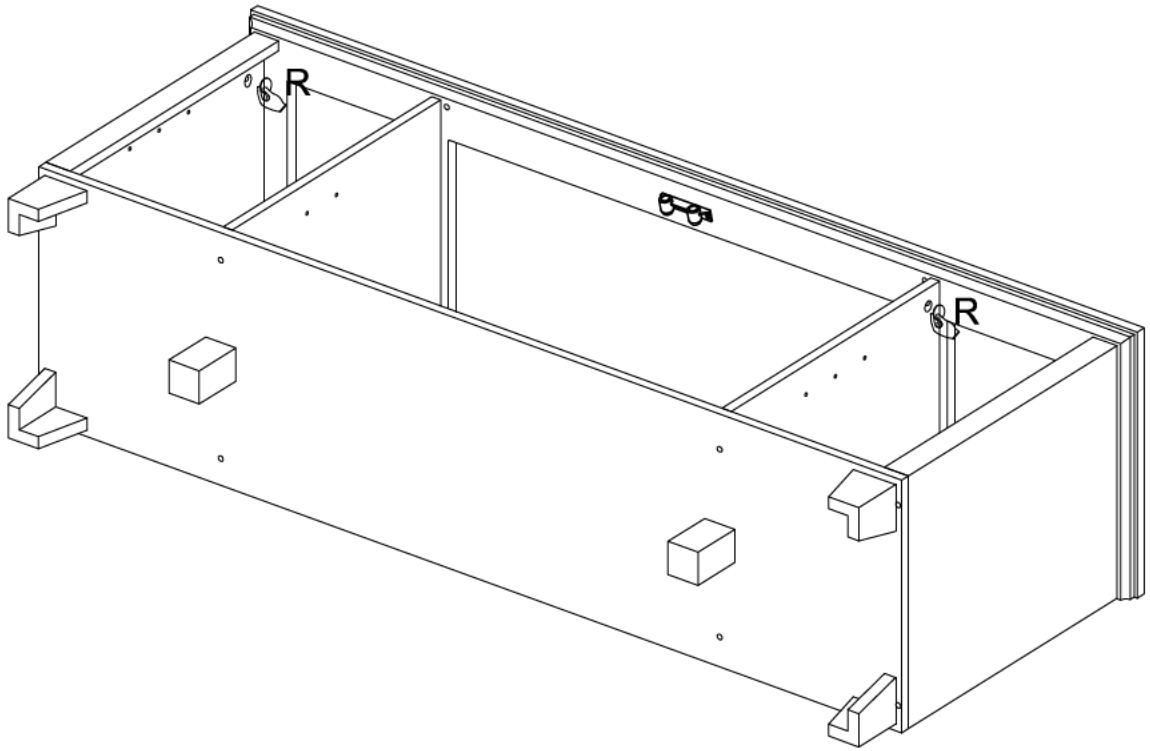
# Step 7



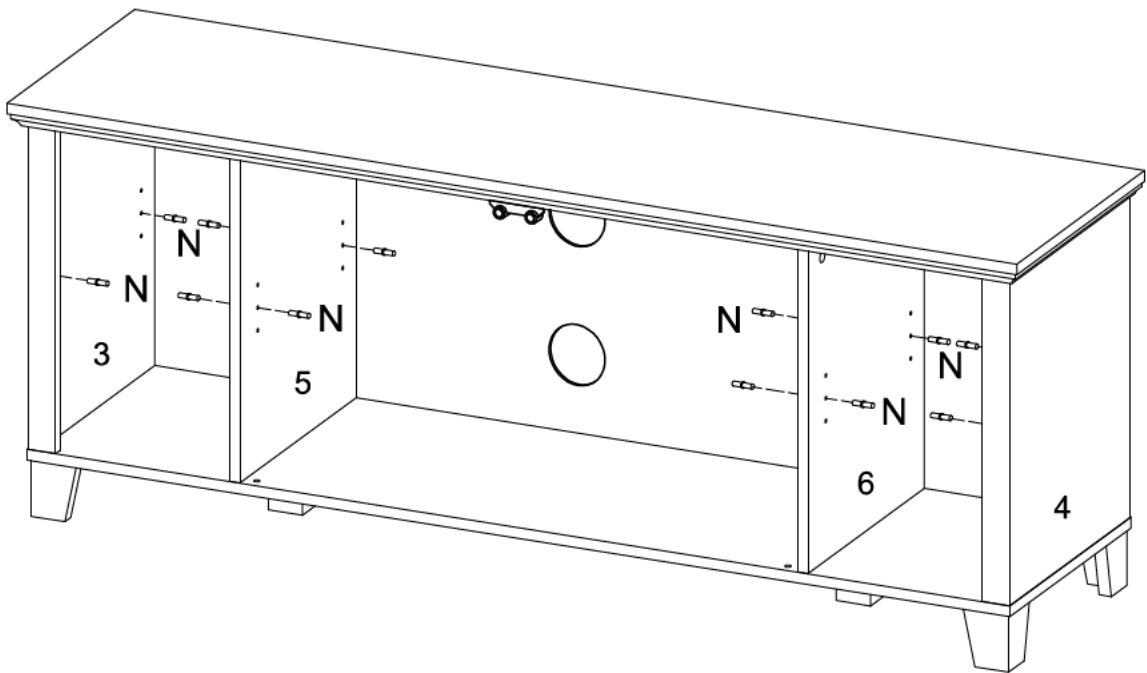
# Step 8



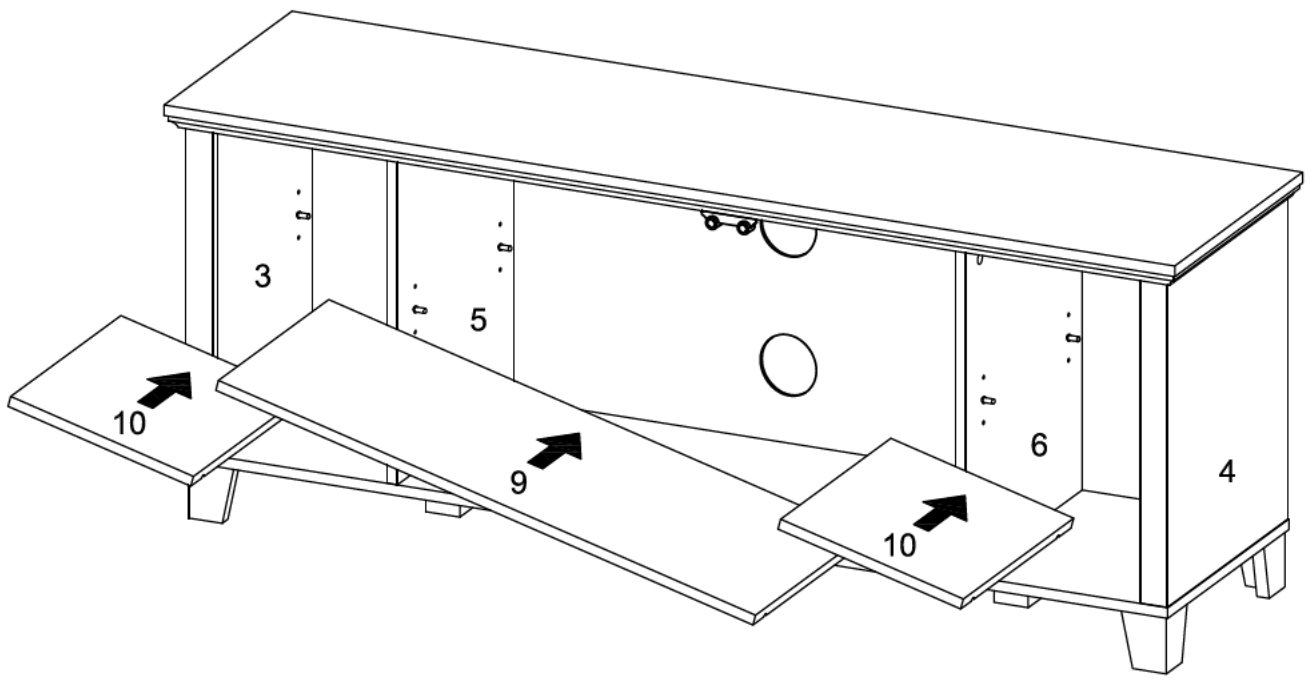
# Step 9



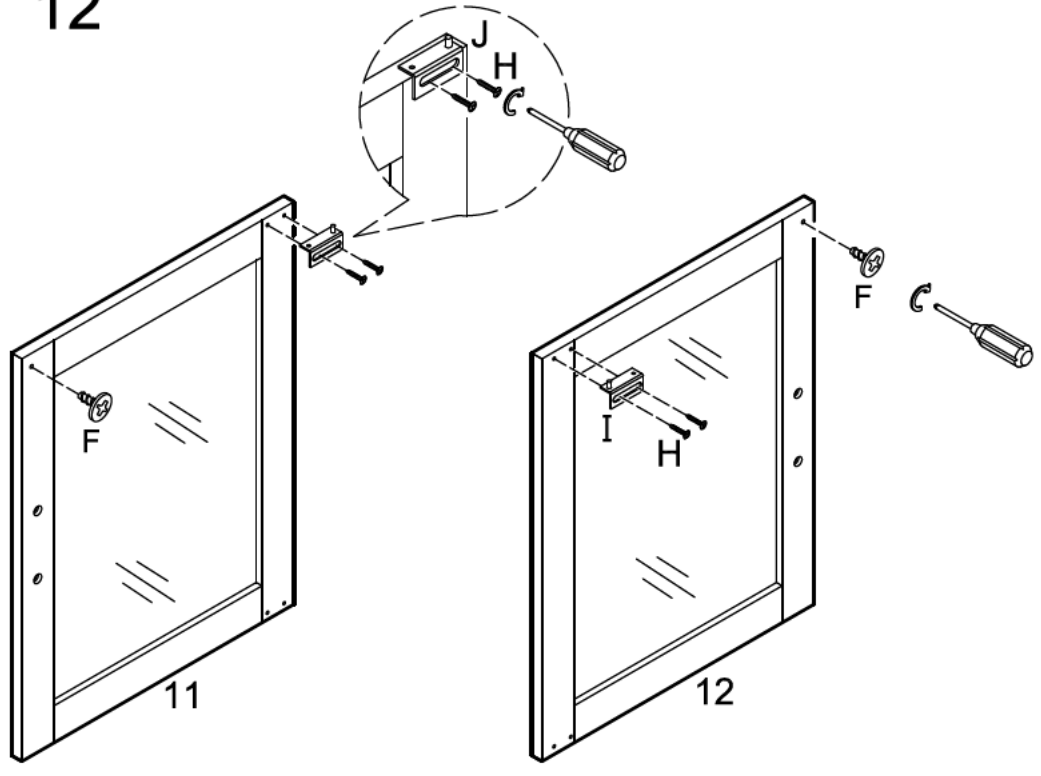
# Step 10



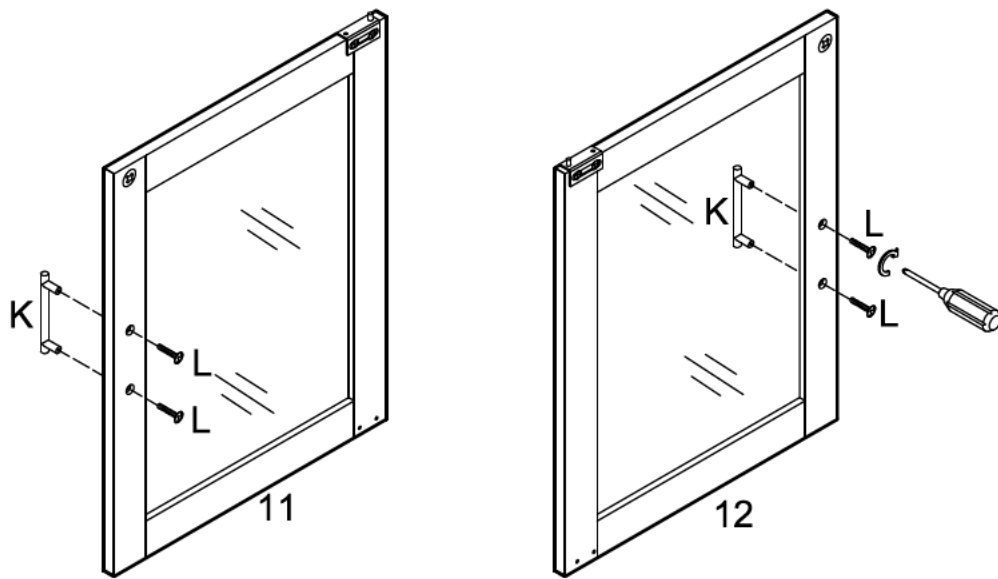
# Step 11



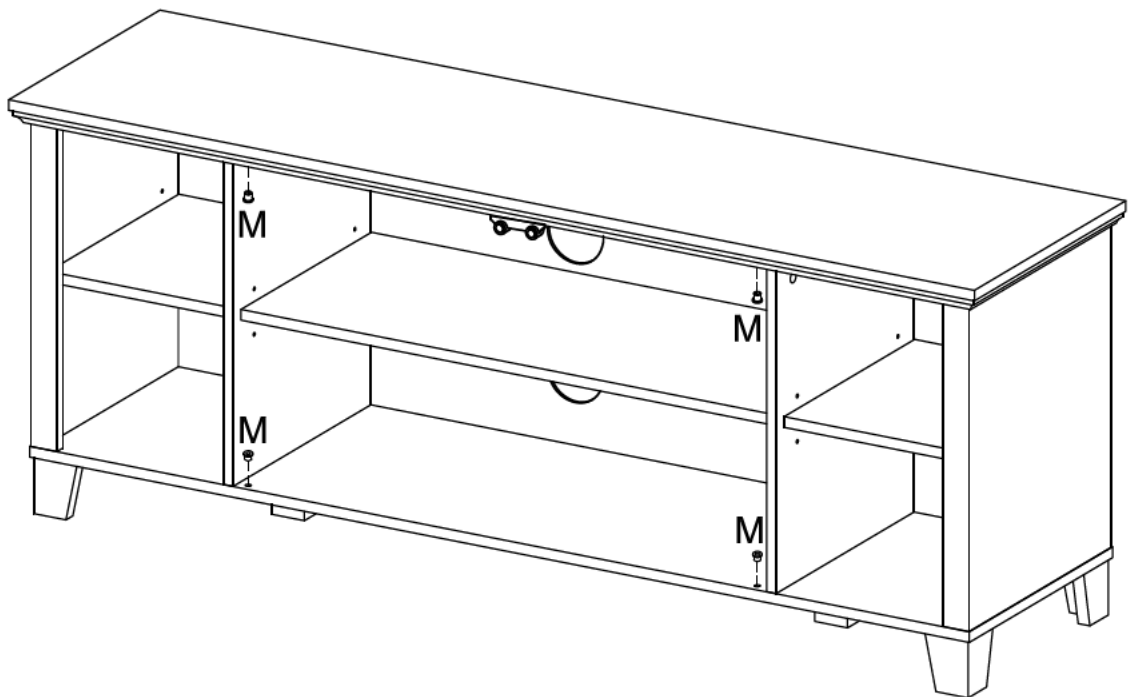
# Step 12



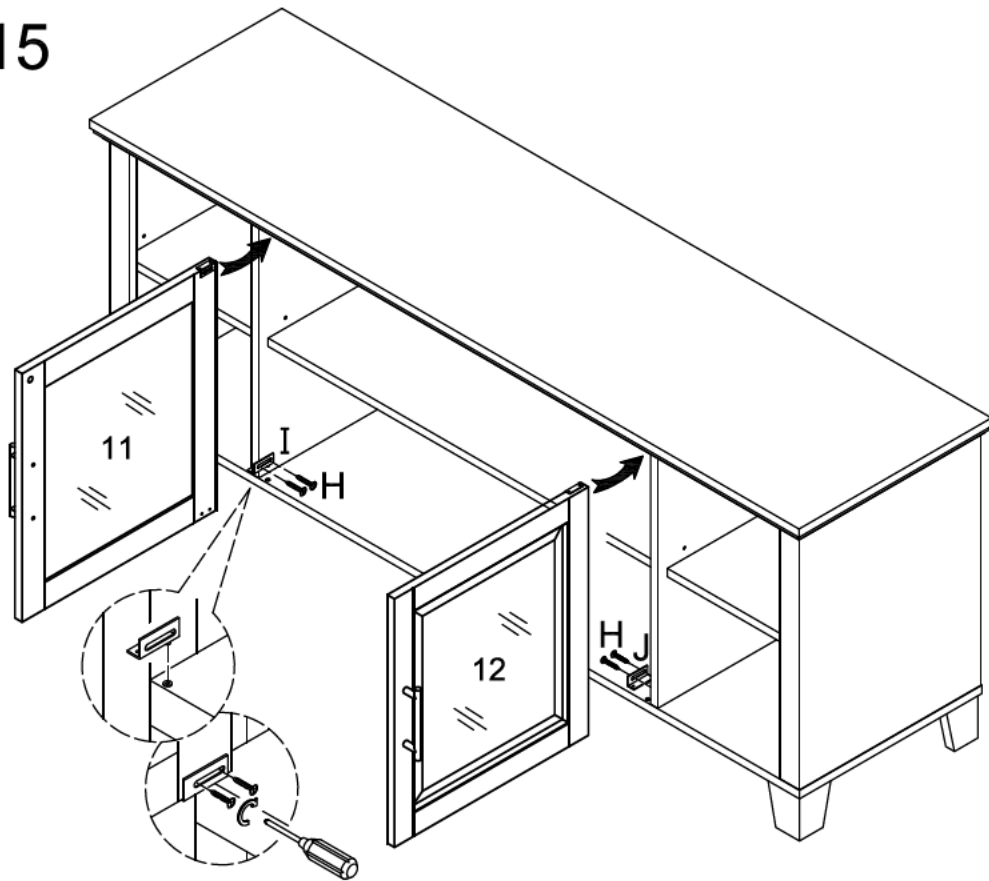
# Step 13



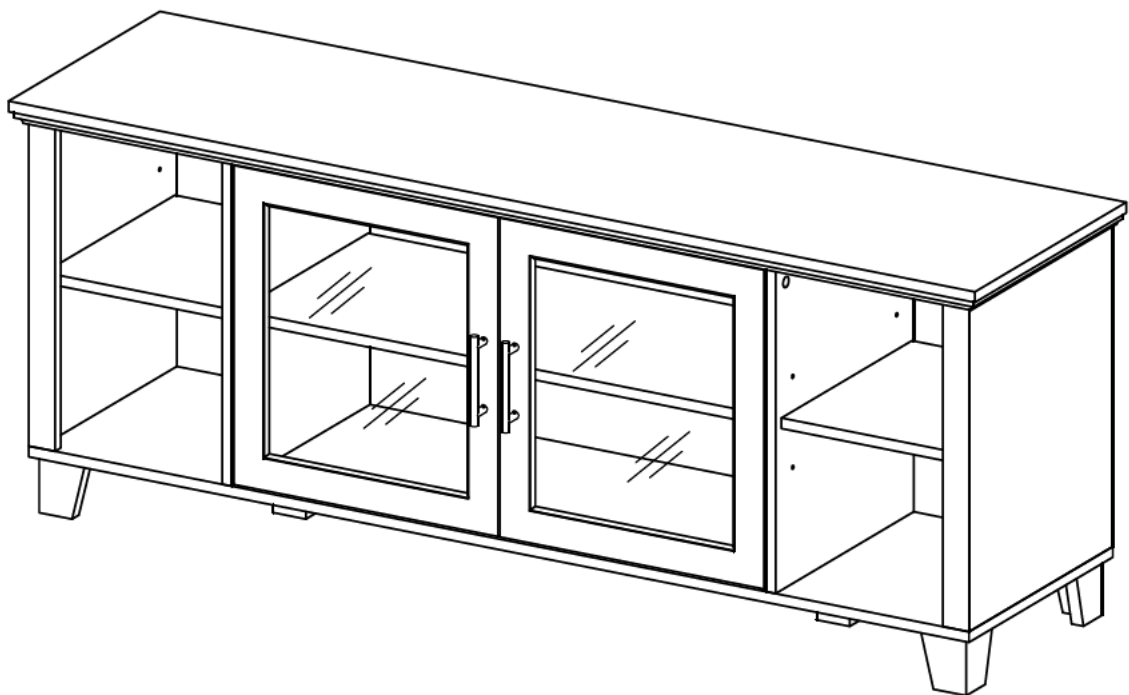
# Step 14



# Step 15



# Step 16



## Final Assembly