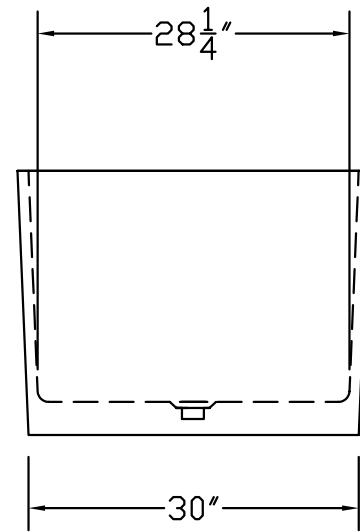
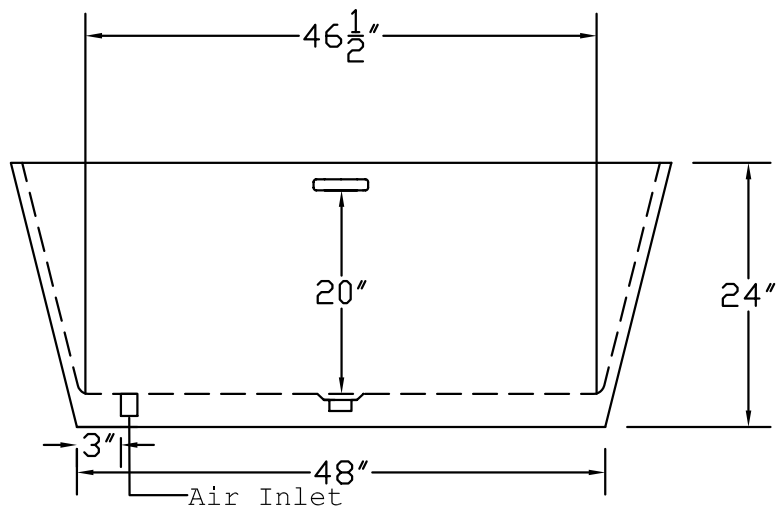


Overflow is Integral to the Tub
Tub Shown with Air System



HYDRO SYSTEMS, INC.

29132 Avenue Paine, Valencia, CA 91355
661.775.0686, fax 661.775.0668, www.hydro-system.com

Note: The information contained on this drawing is the sole property of Hydro Systems, Inc. Any reproduction in part or as a whole without the written permission of Hydro Systems, Inc. is prohibited.

Title: **Bellevue**

Date: October 31, 2012

Rev: \emptyset

Scale: None

Date:

Material: Hydroluxe Solid Surface; 1/2" nominal thickness