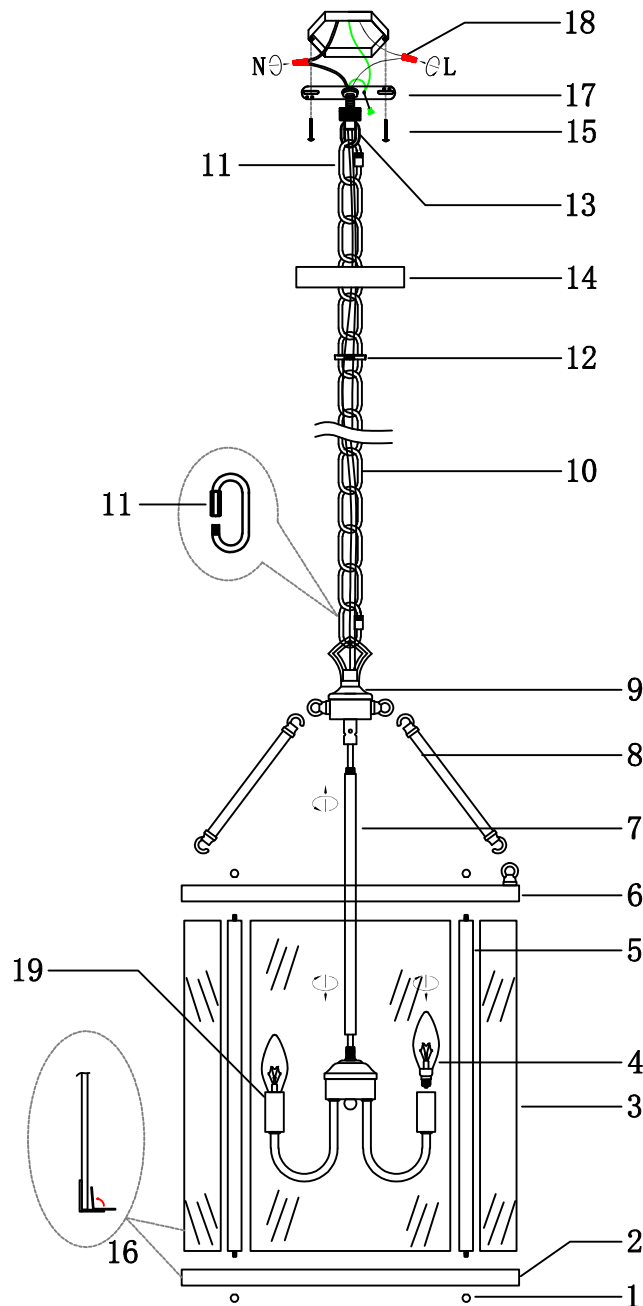


# Assembly & Installation Instructions



## PREPARATION before INSTALLATION:

1. If an existing fixture is being replaced, remove it and note to which wire in the outlet box the original fixture was attached.
2. Before discarding the carton, double-check the packaging to make sure all parts have been found.
3. This fixture was designed to be mounted on an octagon outlet box. The box must be securely mounted to the structure of the building.

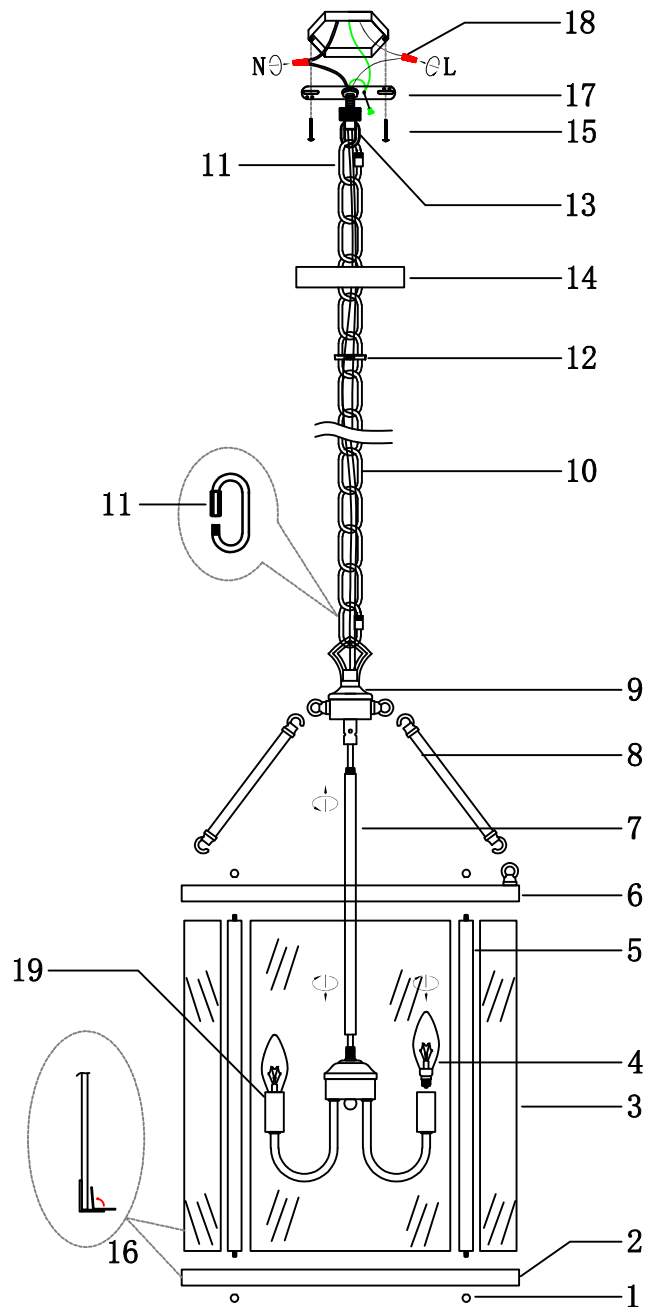
## IMPORTANT:

1. **WARNING** - Disconnect power before relamping or wiring the fixture. Turn off the entire electrical circuit to which the lighting fixture is attached.
2. Installation and maintenance of this fixture should be completed by a licensed electrician.
3. Failure to install the fixture correctly could result in serious injury or death.
4. Read all instructions before starting installation.

## INSTALLATION STEPS:

- A. Insert one end of the four flat metal bars (5) through the lower ring (2), then secure with decorative nuts (1).
- B. Insert the other end of the four flat metal bars (5) through the upper ring (6), then secure with decorative nuts (1).
- C. Place the curved glass shades (3) between the lower ring (2) and upper ring (6). Bend the small metal clips (16) inward to firmly secure the glass shades.
- D. Thread the wires through the downrod (7) and center part (9), then tighten the lamp holder (19), downrod (7), and center part (9) together.
- E. Secure the mounting bracket (17) to the junction box by using screws (15).
- F. Adjust the hanging chain (10) to the desired length, then attach the lower quick link (11) to the hanging loop on the center part (9).
- G. Thread the hanging chain (10) and wires through the washer ring (12) and the center hole of the canopy (14).
- H. Attach the upper quick link (11) to the knurled nut (13).
- I. Feed the wires through the knurled nut (13) and the center hole of the mounting bracket (17).

# Assembly & Installation Instructions



## INSTALLATION STEPS:

J. Connect the wires by using the wire caps (18) as follows:

Connect the fixture's LIVE wire to the home LIVE wire.

Connect the fixture's NEUTRAL wire to the home NEUTRAL wire.

Connect the fixture's ground wire to the home ground wire.

Secure the fixture's ground wire to the mounting bracket with the green grounding screw. Then, tuck all wires into the junction box.

\*Note: make sure no bare wires are exposed to prevent electric leakage.

K. Position the canopy (14) over the mounting bracket (17), then secure it tightly with the washer ring (12).

L. Install the bulbs (4) (not included) into the lamp holders (19).

M. Use the hook (8) to connect the hanging loop on the upper ring (6) with the hanging loop on the center part (9).