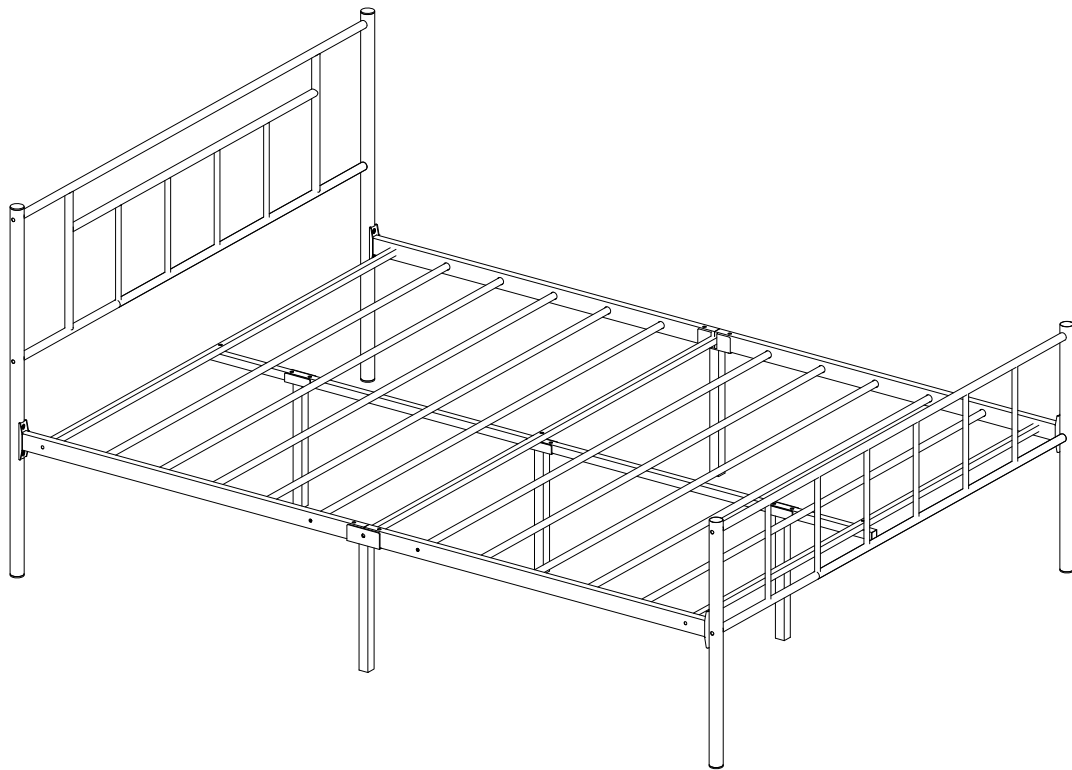


**METAL BED**

**YC-F320L-BK-X-0-S**

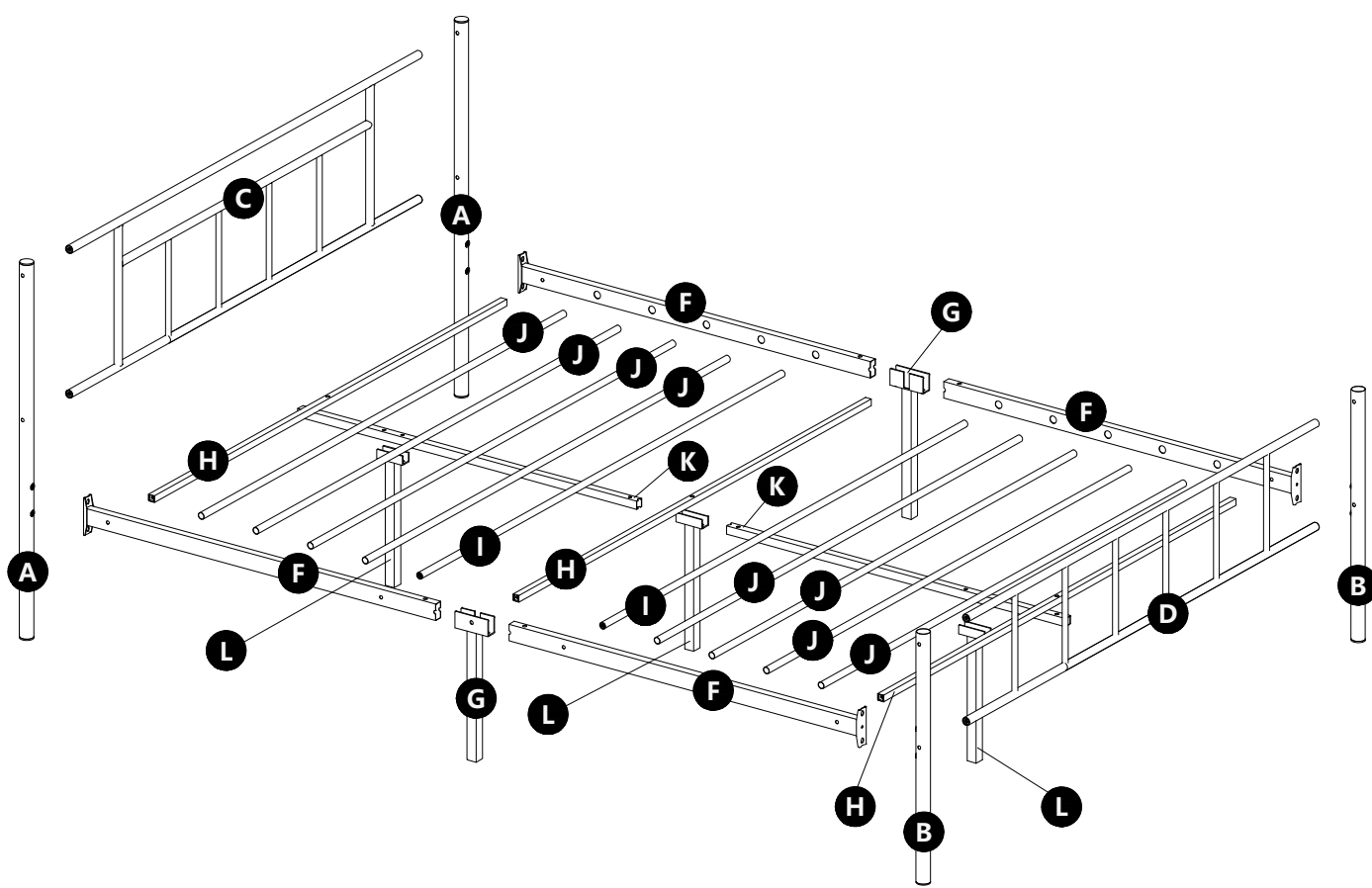


## Instruction Manual

Thank you for shopping with us!

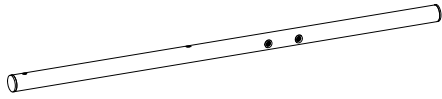
If any parts is missing, broken upon receipt or you need any help from us.

For the FASTEST solutions, please FIRSTLY CONTACT US at our after-sales email: **CSsince1987@hotmail.com!**



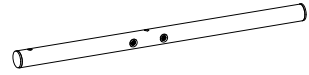
# Part list

**A**



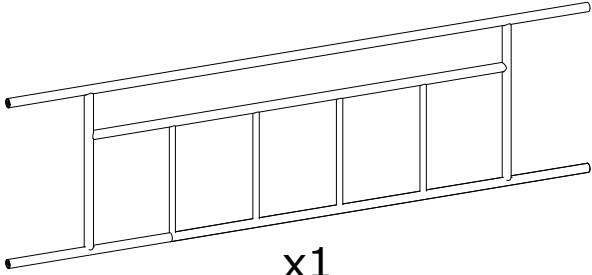
x2

**B**



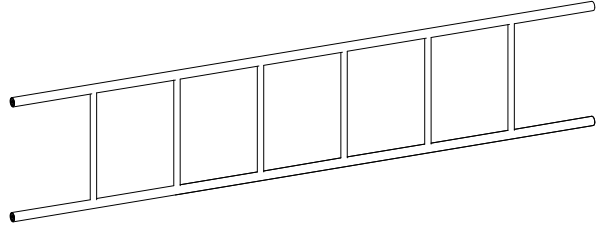
x2

**C**



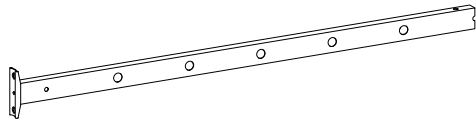
x1

**D**



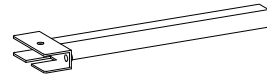
x1

**F**



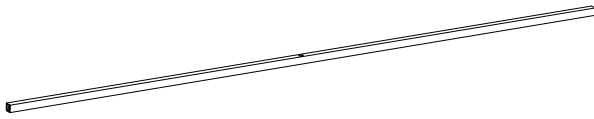
x4

**G**



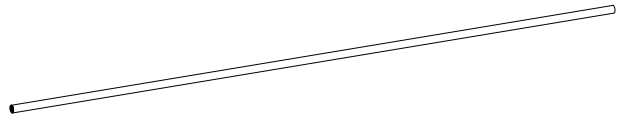
x2

**H**



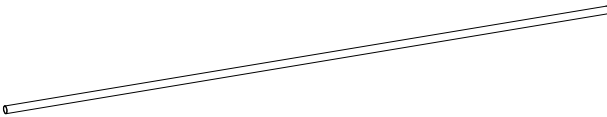
x3

**I**



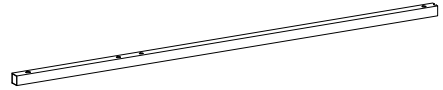
x2

**J**



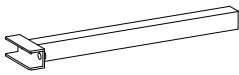
x8

**K**



x2

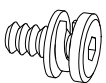
**L**



x3

# Hardware list

①



M8x20mm  
x8

②



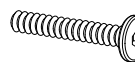
M6x25mm  
x12

③



M6x45mm  
x11

④



M6x50mm  
x8

⑤



x8

⑥




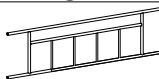


M6x17mm  
x2

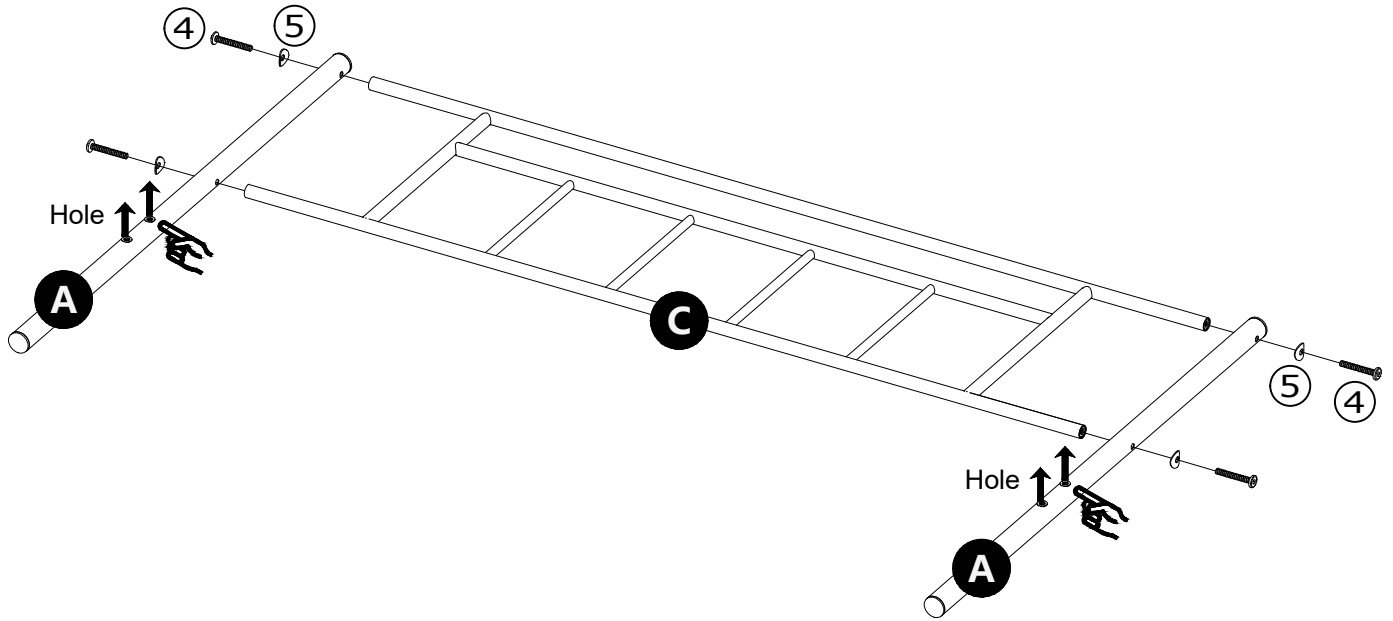
⑦



x2


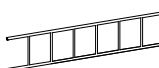


## Step1:

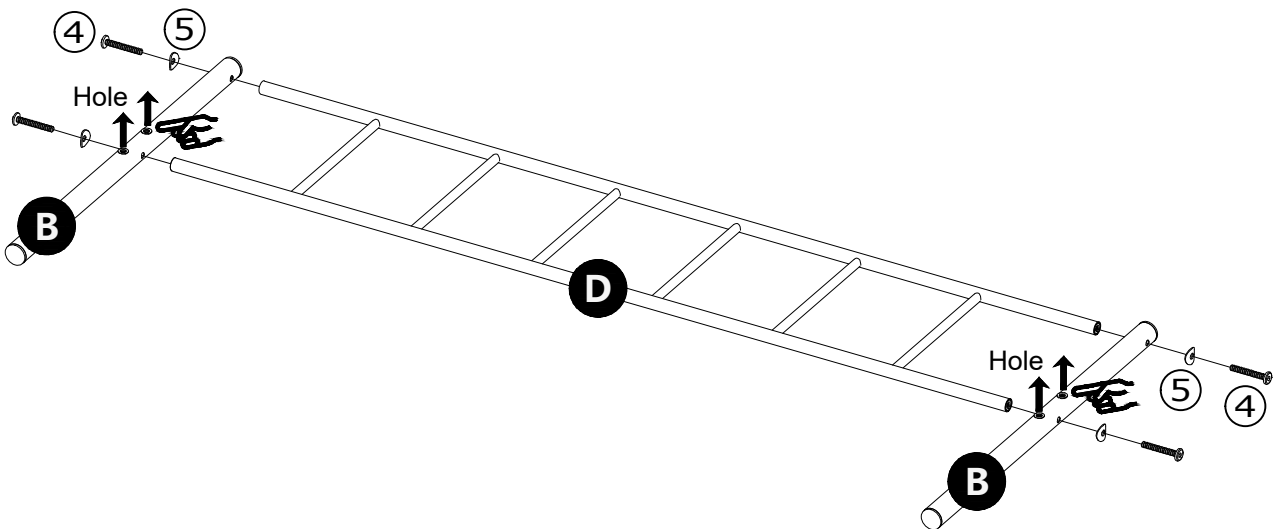
(A)x2	(C)x1	(4)x4	(5)x4
		 M6x50mm	



**Note: Do not fully tighten the screws to avoid misalignment of the holes in subsequent steps.**






## Step2:

(B)x2	(D)x1	(4)x4	(5)x4
		 M6x50mm	

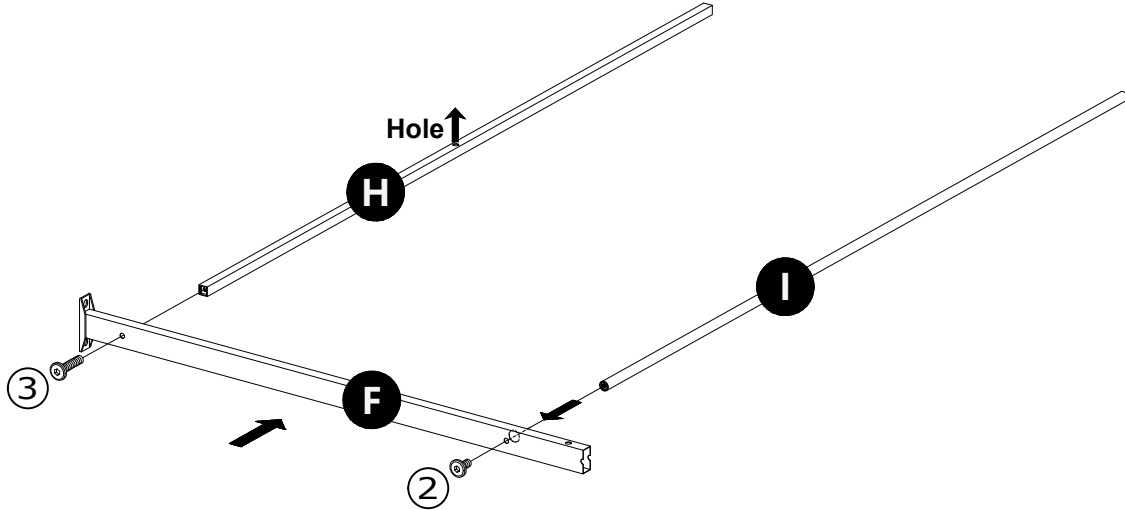


**Note: Do not fully tighten the screws to avoid misalignment of the holes in subsequent steps.**

### Step3:





ⓕx2	ⓓx2	Ⓛ x2	②x2	③x2
			 M6x25mm	 M6x45mm

x2

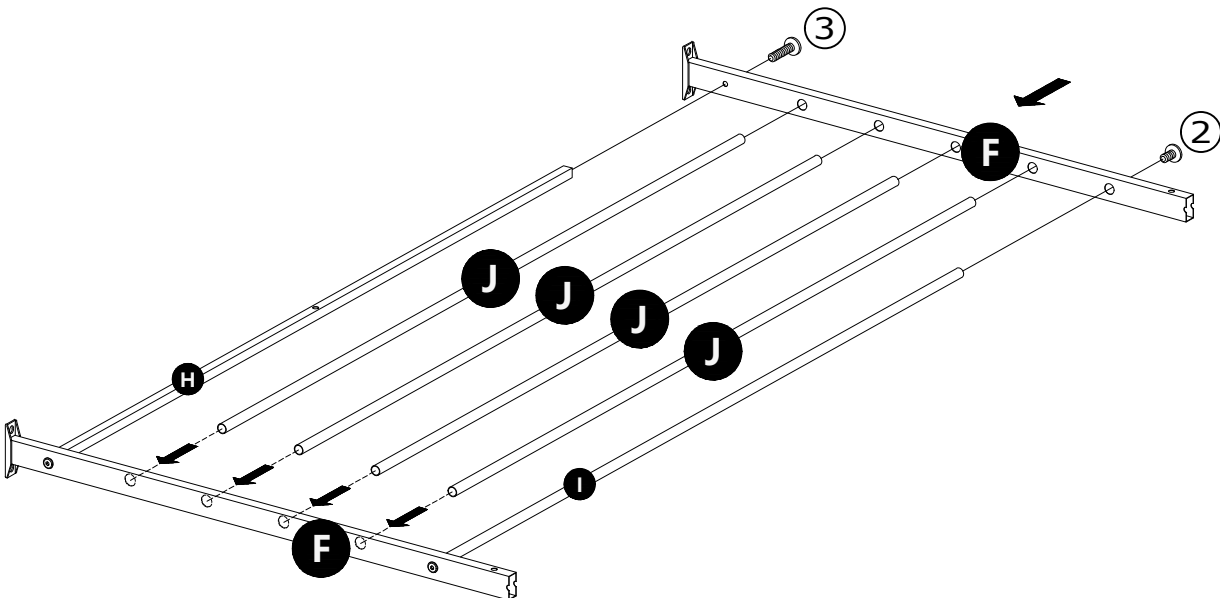


Note: Do not fully tighten the screws to avoid misalignment of the holes in subsequent steps.

### Step4:

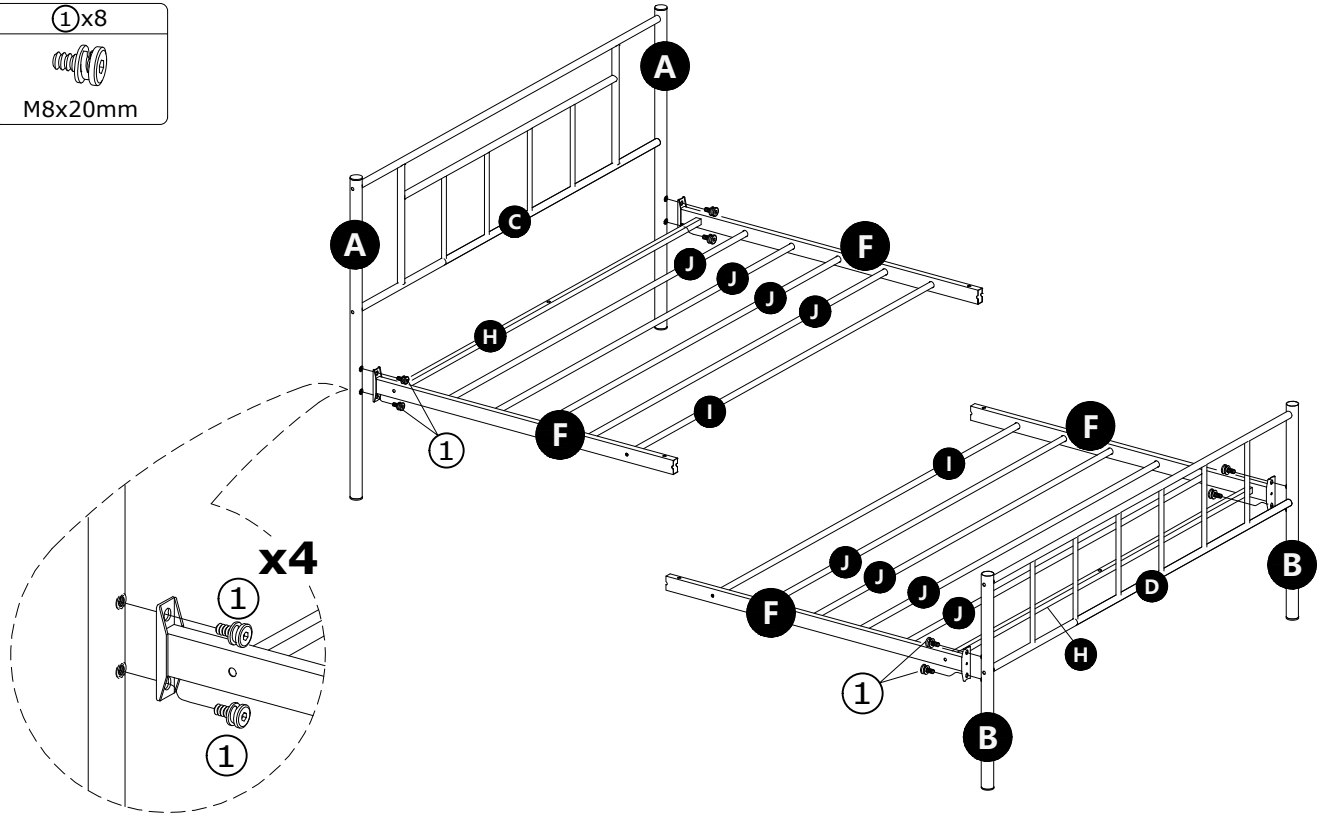
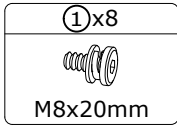
ⓕx2	Ⓛx8	②x2	③x2
		 M6x25mm	 M6x45mm

x2



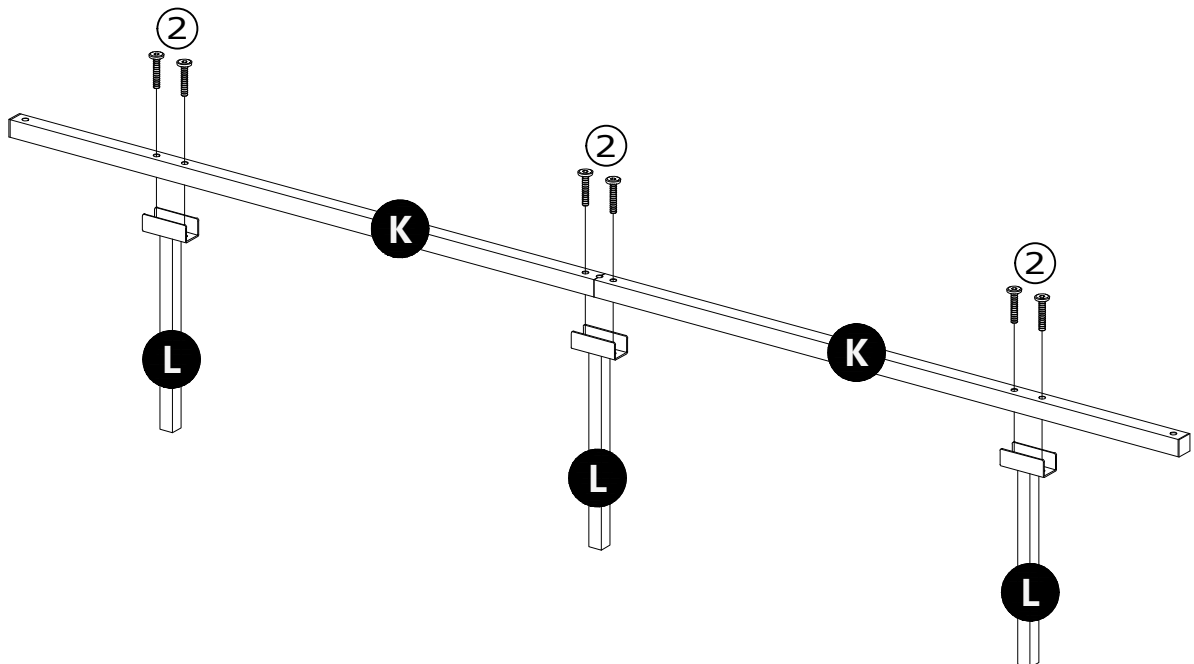
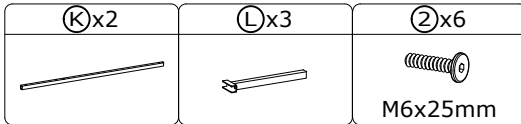
Note: Do not fully tighten the screws to avoid misalignment of the holes in subsequent steps.

## Step5:




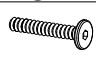
**Note: Do not fully tighten the screws to avoid misalignment of the holes in subsequent steps.**

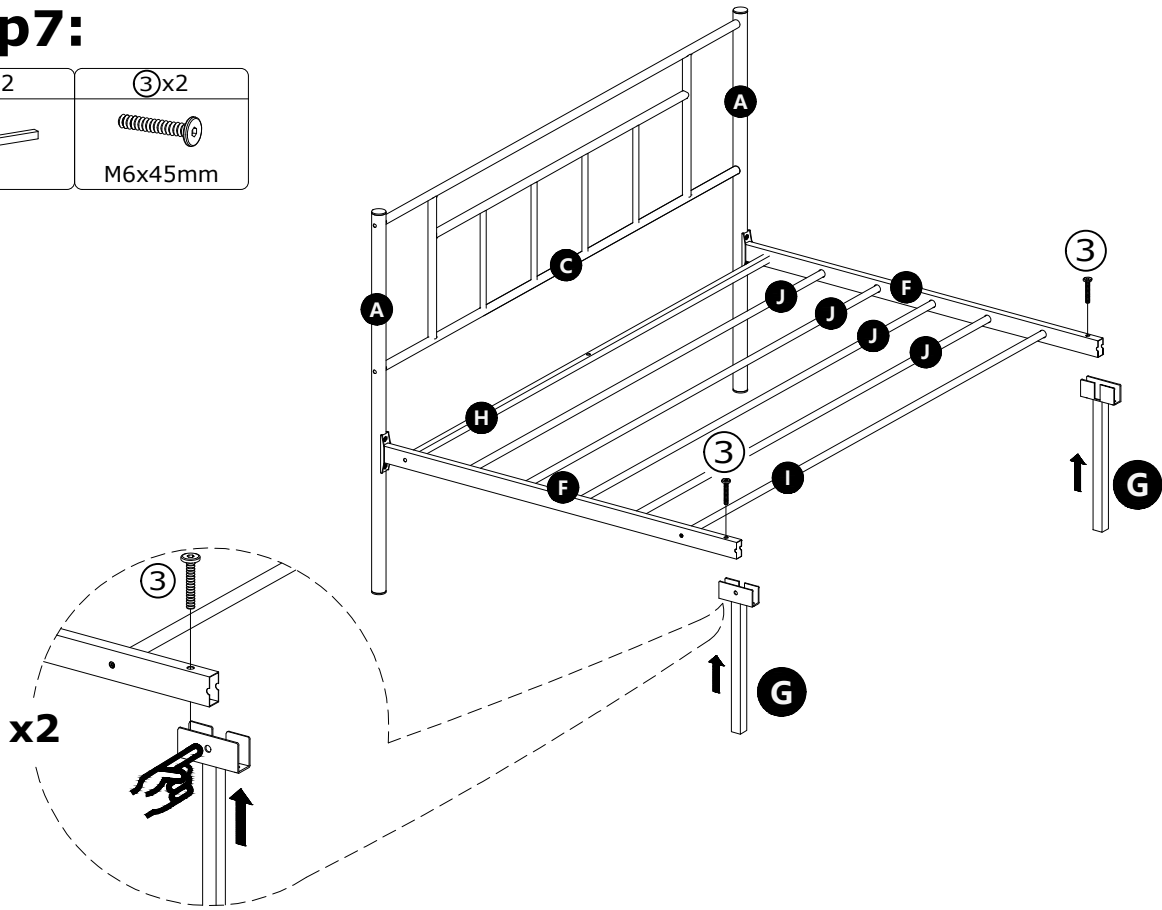
## Step6:



**Note: Do not fully tighten the screws to avoid misalignment of the holes in subsequent steps.**

## Step 7:

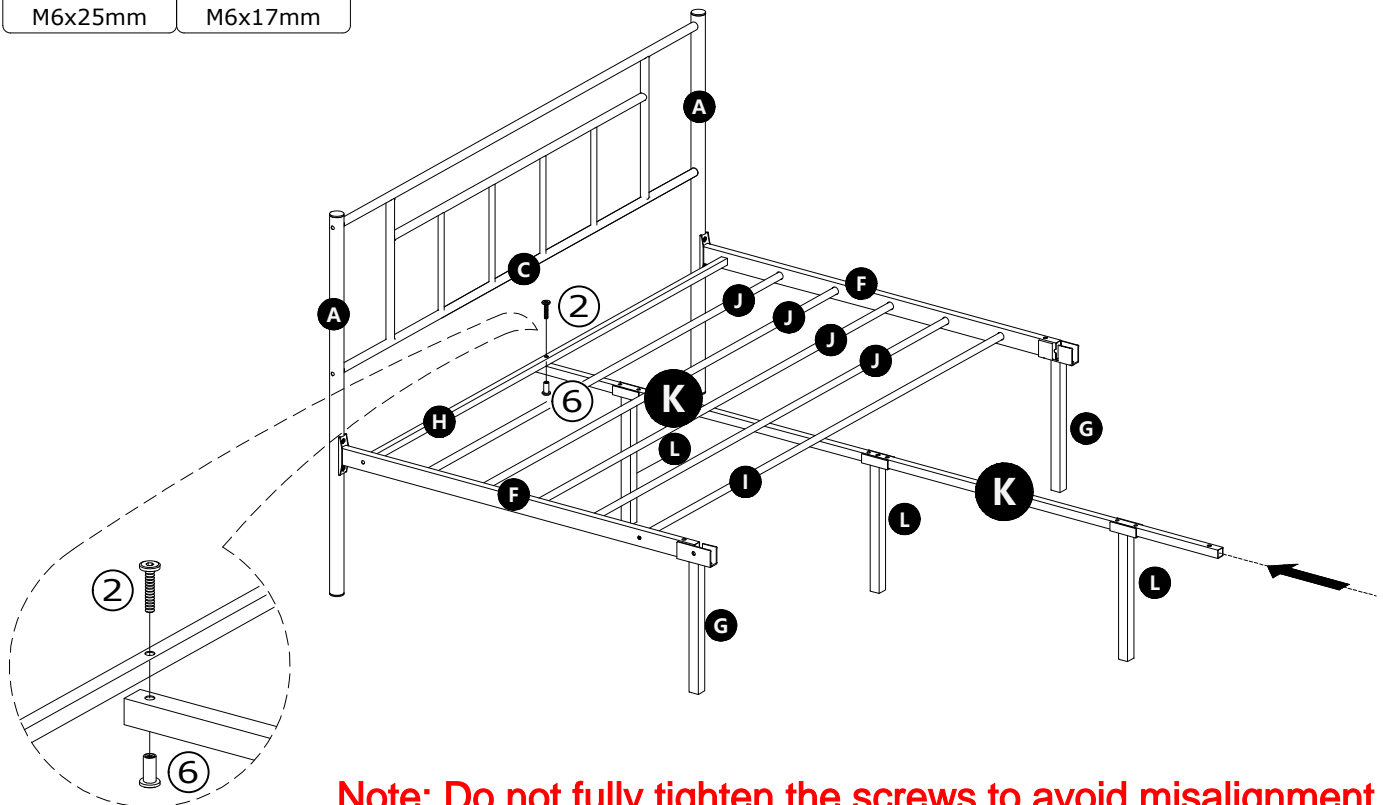
ⓐx2	ⓓx2
	
	M6x45mm



**Note: Do not fully tighten the screws to avoid misalignment of the holes in subsequent steps.**

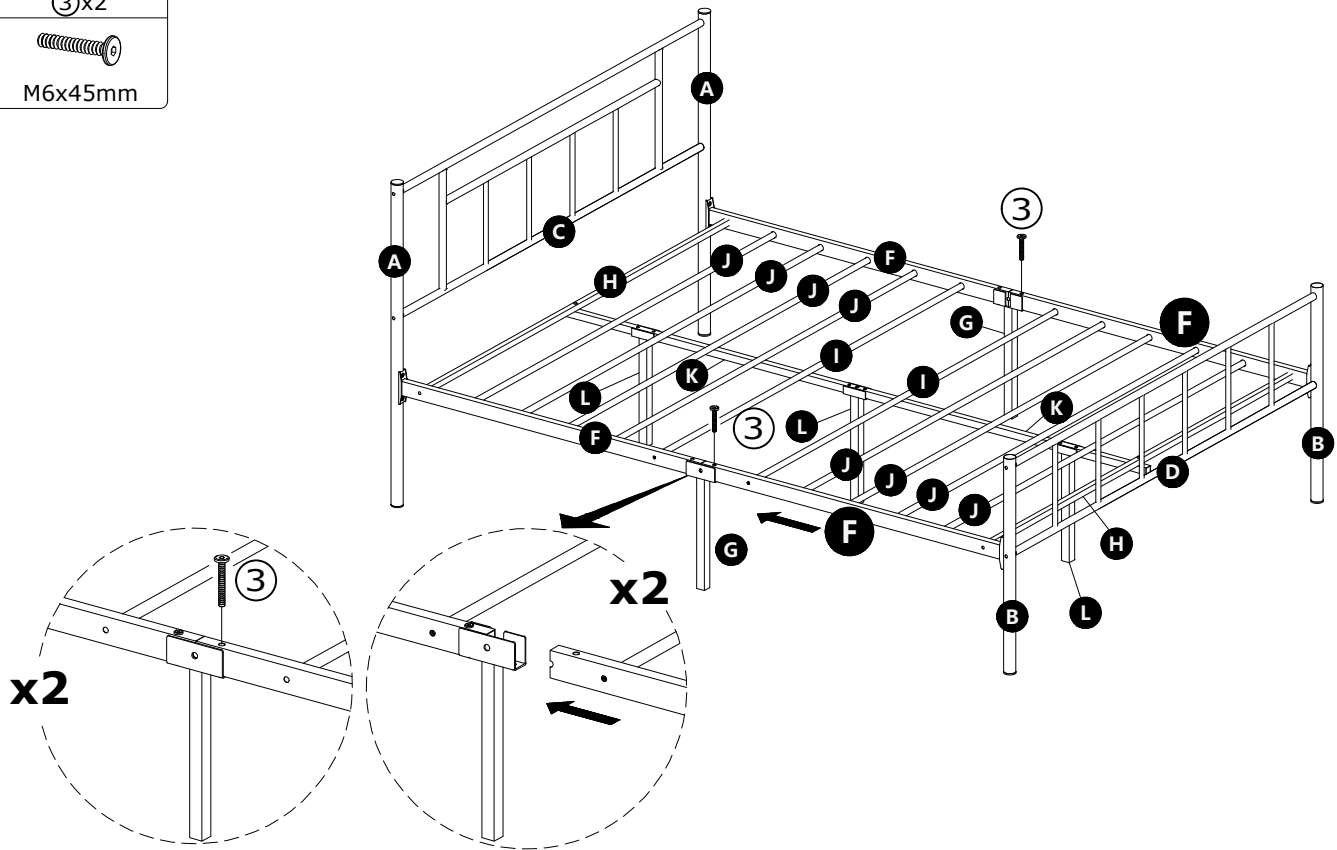
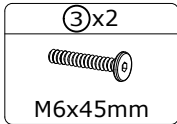
## Step 8:

ⓔx1	ⓖx1
	
M6x25mm	M6x17mm



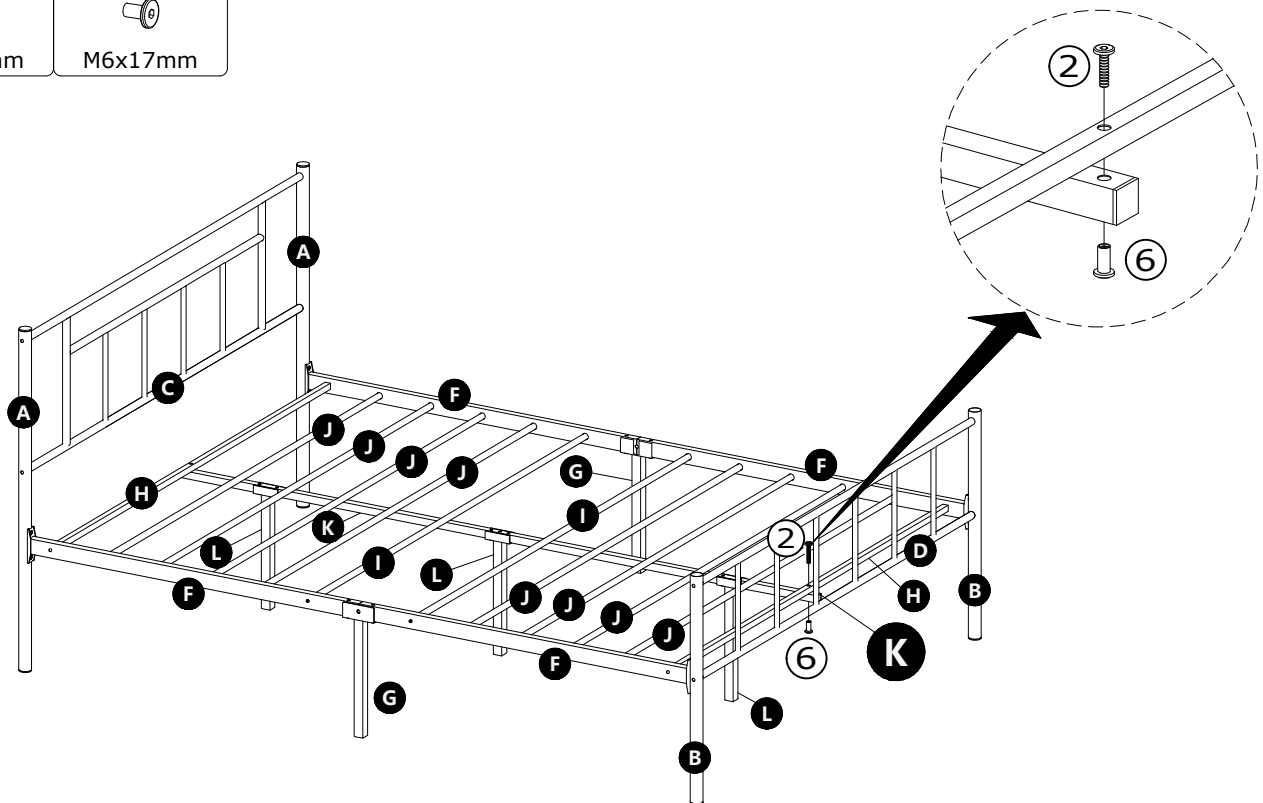
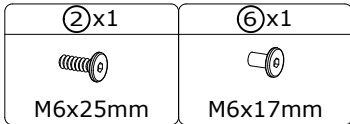
**Note: Do not fully tighten the screws to avoid misalignment of the holes in subsequent steps.**

## Step9:





**Note: Do not fully tighten the screws to avoid misalignment of the holes in subsequent steps.**

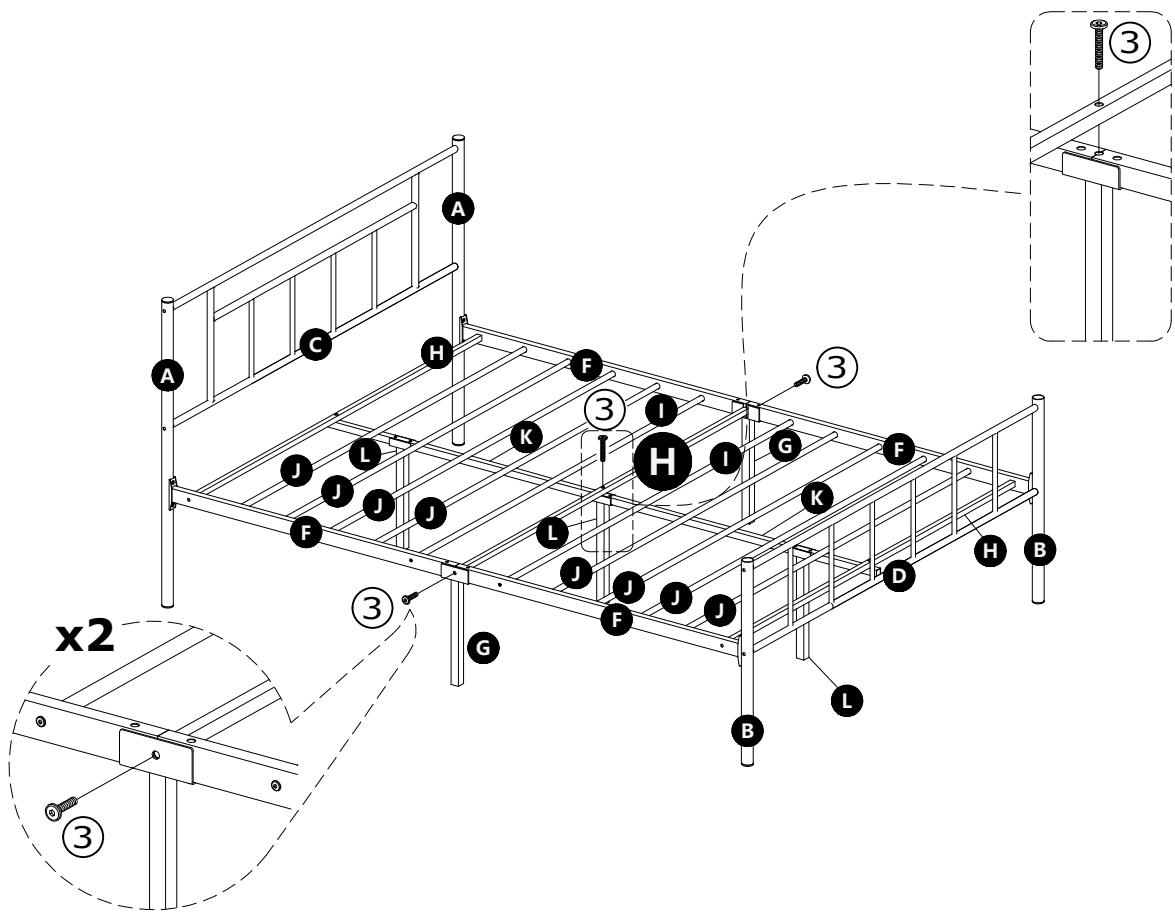
## Step10:



**Note: Do not fully tighten the screws to avoid misalignment of the holes in subsequent steps.**

# Step11:

(H)x1	(3)x3
	
	M6x45mm



**Note: Tightten all the screws from step1 to step 11.**

## Warning

Seller is responsible for the product-related issues occurred upon receipt, but will not be responsible for the personal injury, property damage or loss resulting from the incorrect assembly, improper use, inadequate maintenance or neglect of this product.