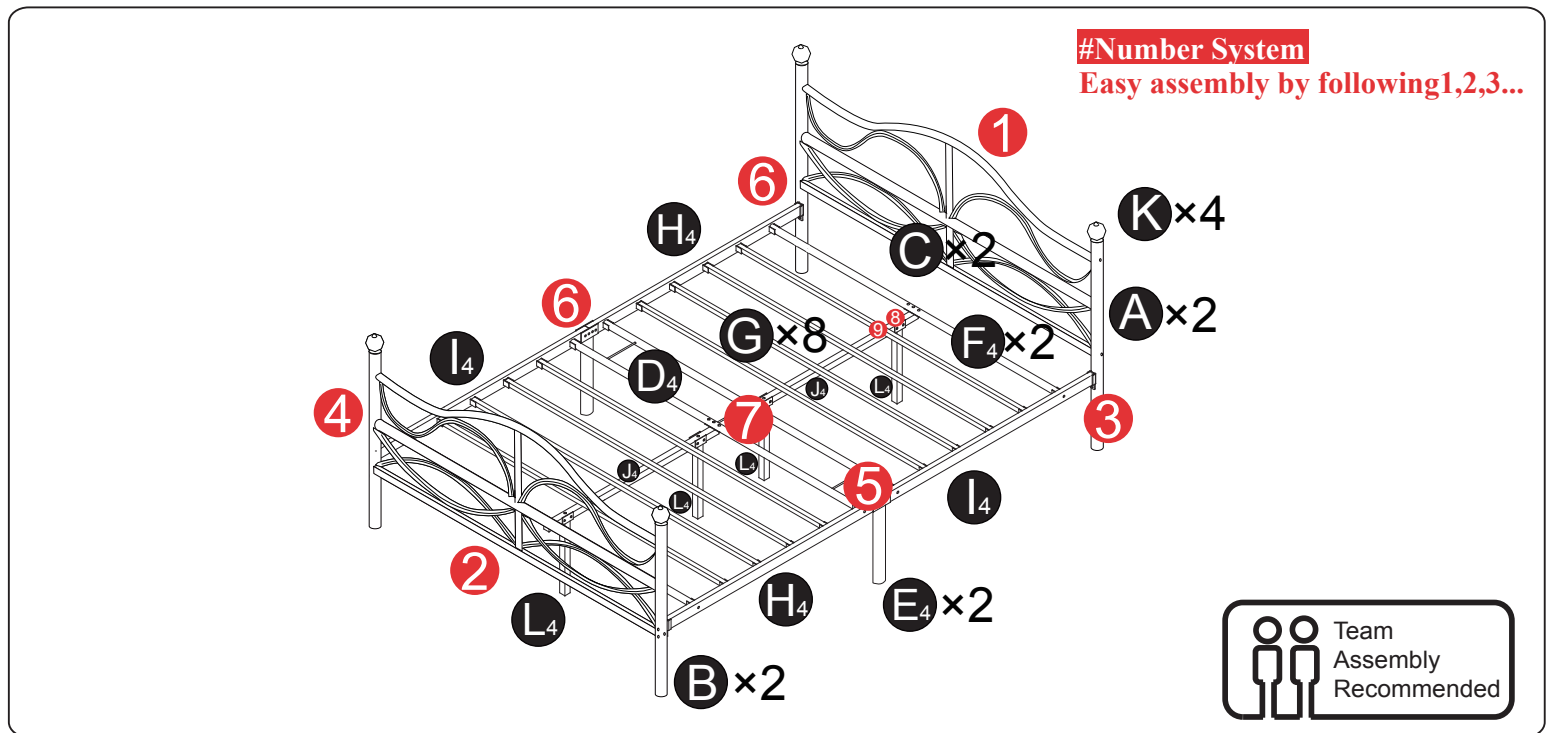


Bed Frame Installation Manual



Componets

- A x2
- B x2
- C x2
- D x1
- E x2
- F x2
- G x8
- H x2
- I x2
- J x2
- K x4

Screws & Tools

①	M8x50mm	x8
②	M8x35mm	x8
③	M6x60mm	x8
④	M6x40mm	x20
⑤	M6x30mm	x12
⑥	M6x15mm	x4
⑦	M8	x16
⑧	M8	x12
⑨	M6	x16
⑩	M6	x4
⑪	M5	x1
⑫	M13/M10	x1

- M x4
- L x4

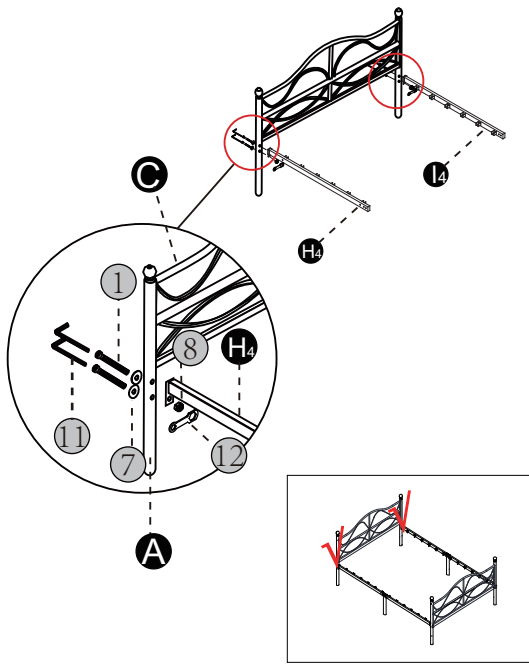
1 Headboard assembly

Note: In this step, do not tighten screw ③

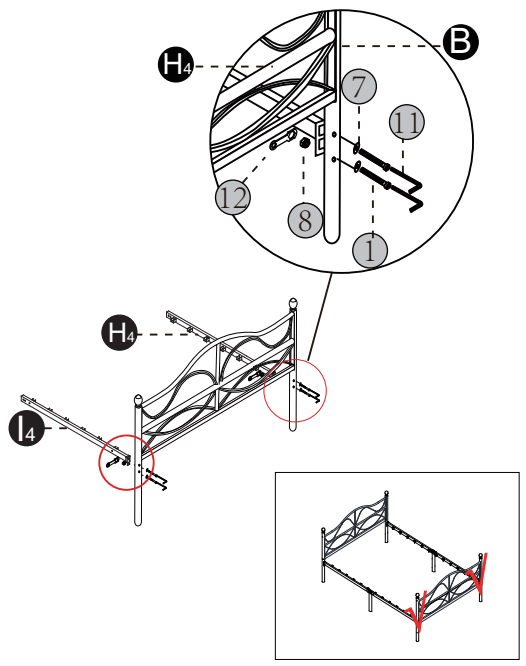
2 Footboard assembly

Note: In this step, do not tighten screw ③

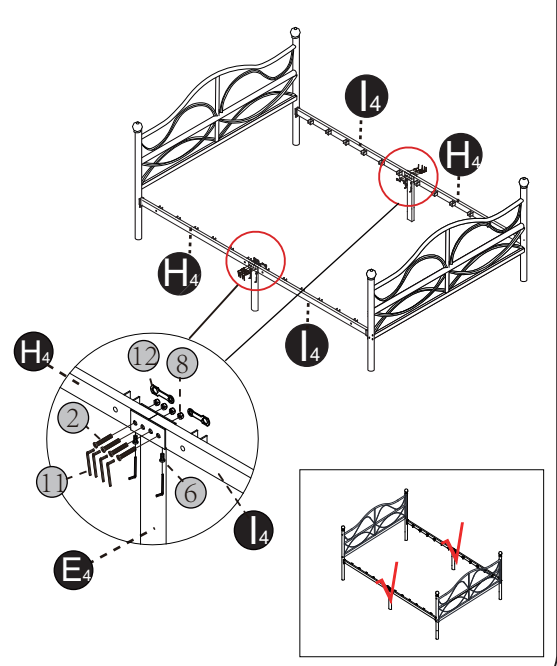
3 Connect **H₄** & **L₄** to headboard



4 Connect **H₄** & **L₄** to footboard

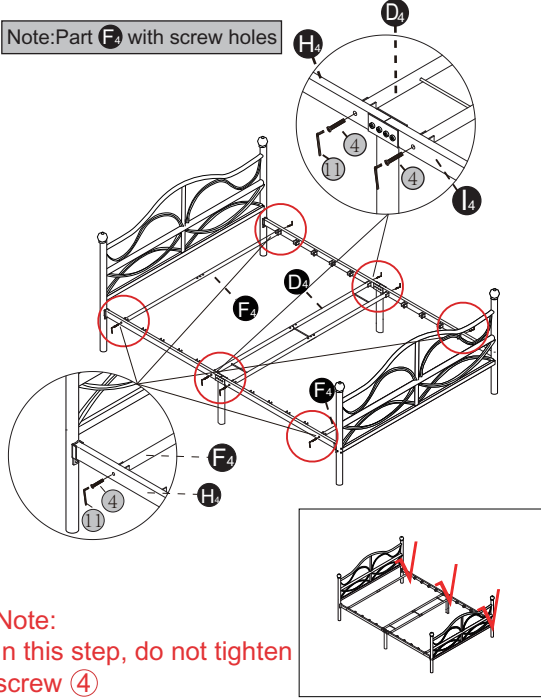


5 Connect **E₄** to **H₄** & **L₄**

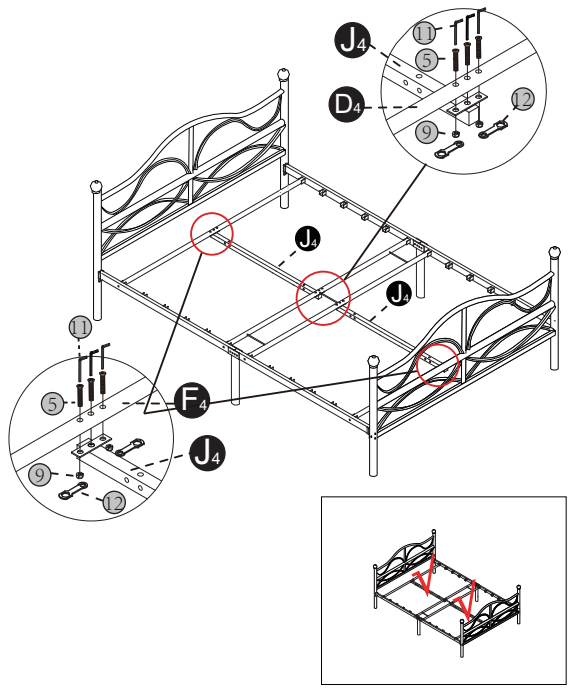


6 Connect **D₄** & **F₄** to **H₄** & **L₄**

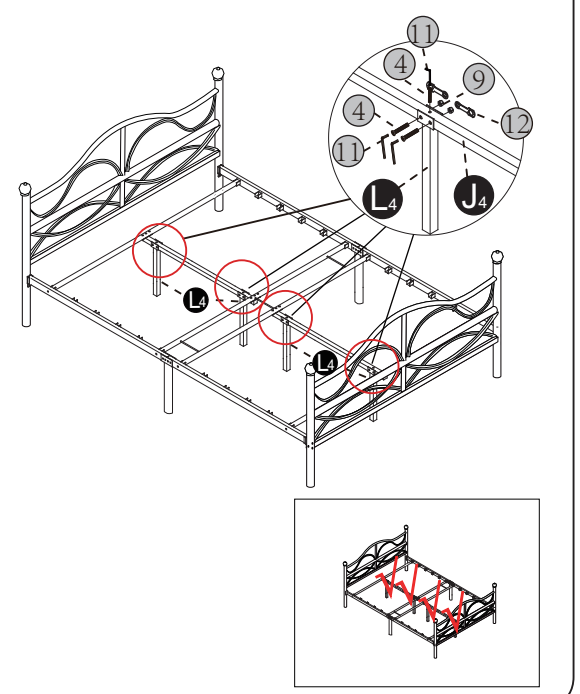
Note: Part **F₄** with screw holes



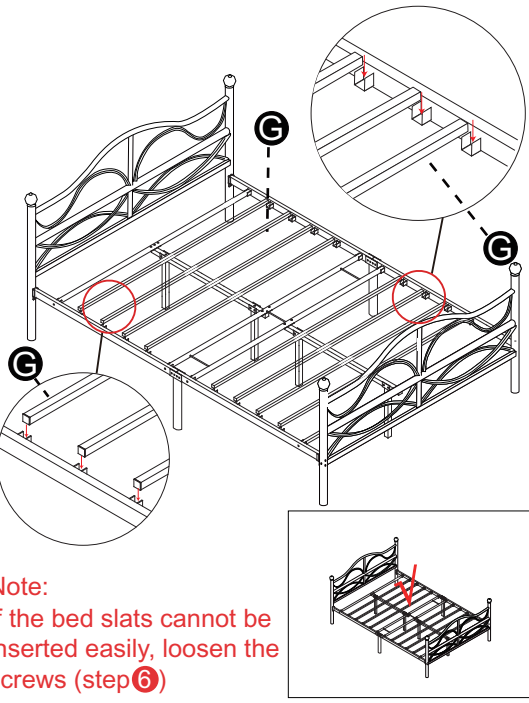
7 Connect **J₄** to **D₄** & **F₄**



8 Connect **L₄** to **J₄**



9 Assemble bed slats



10 Check and tighten all screws

