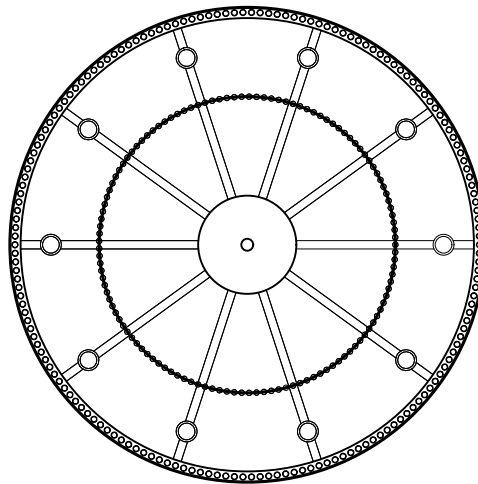
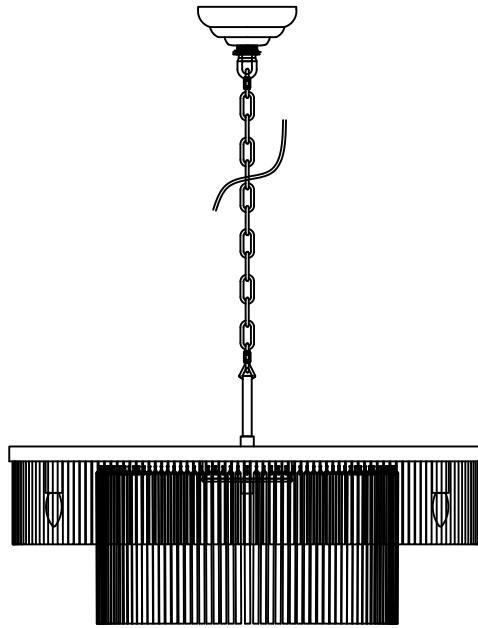
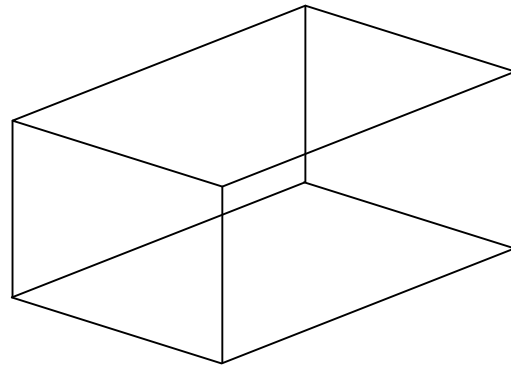


INSTALLATION INSTRUCTION

31.5"





A Lamp Body

SAFETY INFORMATION

It is important to thoroughly read and understand the entire manual, before assembling, operating, or installing the product.

WARNING

·TURN OFF ELECTRICITY before installation, changing bulbs, or cleaning the light fixture. WARNING

.This fixture requires 10 pieces E12 bulbs the maximum wattage for each bulb is 40W, please do not exceed the recommended wattage.

A QUALIFIED ELECTRICIAN IS RECOMMENDED FOR INSTALLATION.

.Do not use corrosive substances such as gasoline or alcohol disinfectants to wipe the lamps, otherwise it will damage the lamps.

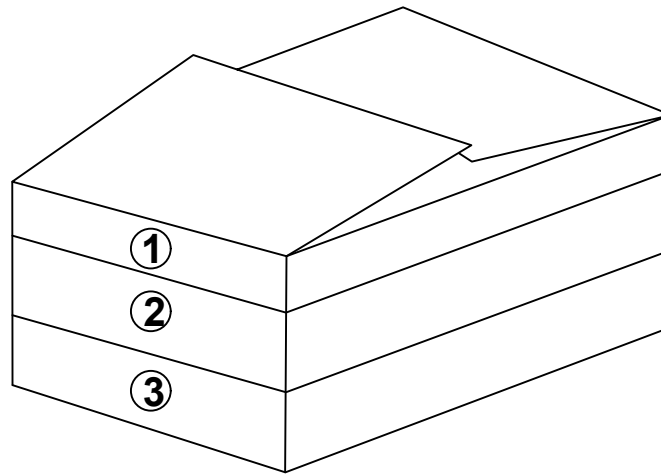
PREPARATION

.Before installation, please make sure all the accessories are included

(refer to the package content), if there is any part missing, please contact us at the order page, we will arrange the replacement in a timely manner

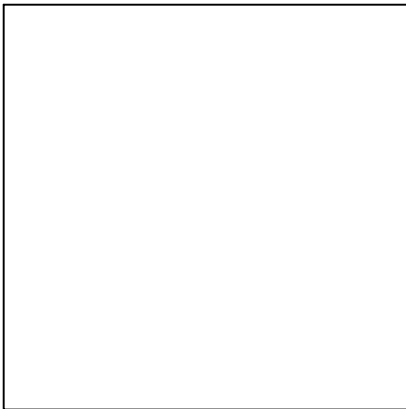
.10 pieces of E12 bulbs(Max.40W) are required For any questions or inquires, please feel free to contact us at the order page, our customer service team will reply ASAP.

Packaging diagram:

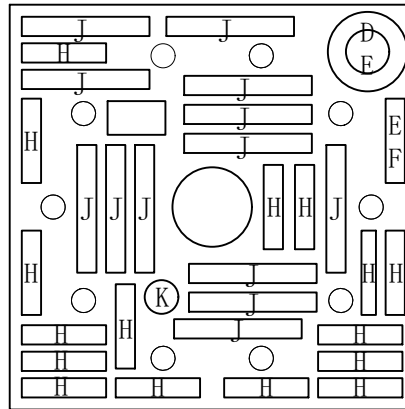


A

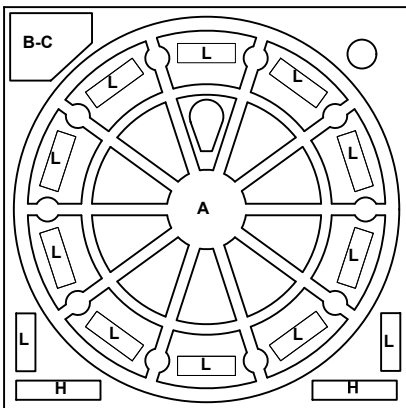
①



②



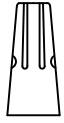
③



List of internal packaging:

1. The first layer: Cover Plate
2. Glass H + Glass J + Canopy D + Pendant Chain E + Downrod F + Butterfly Clamp K
3. Chandelier Body Frame A + Lifting Ring B + Mounting Plate C + Light source L

Accessory list



3pcs+2 Extra



2pcs+2 Extra



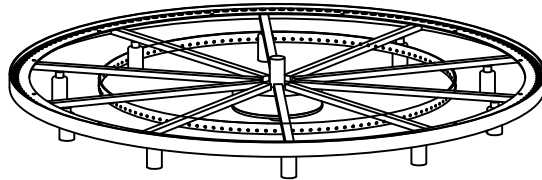
3pcs Extra



1pc+1 Extra



1pc+1 Extra



— A.Light Frame-1pcs



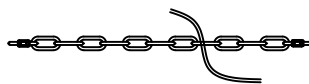
— B.Lifting Ring-1pcs



— C.Ceiling Plate-1pcs



— D.Canopy-1pcs



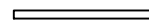
— E.Long Chian-1pcs



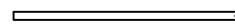
— F.Downrod-1pcs



— G.Threaded Nipple-1pcs



— H.Glass-170+5pcs



— J.Glass-125+5pcs

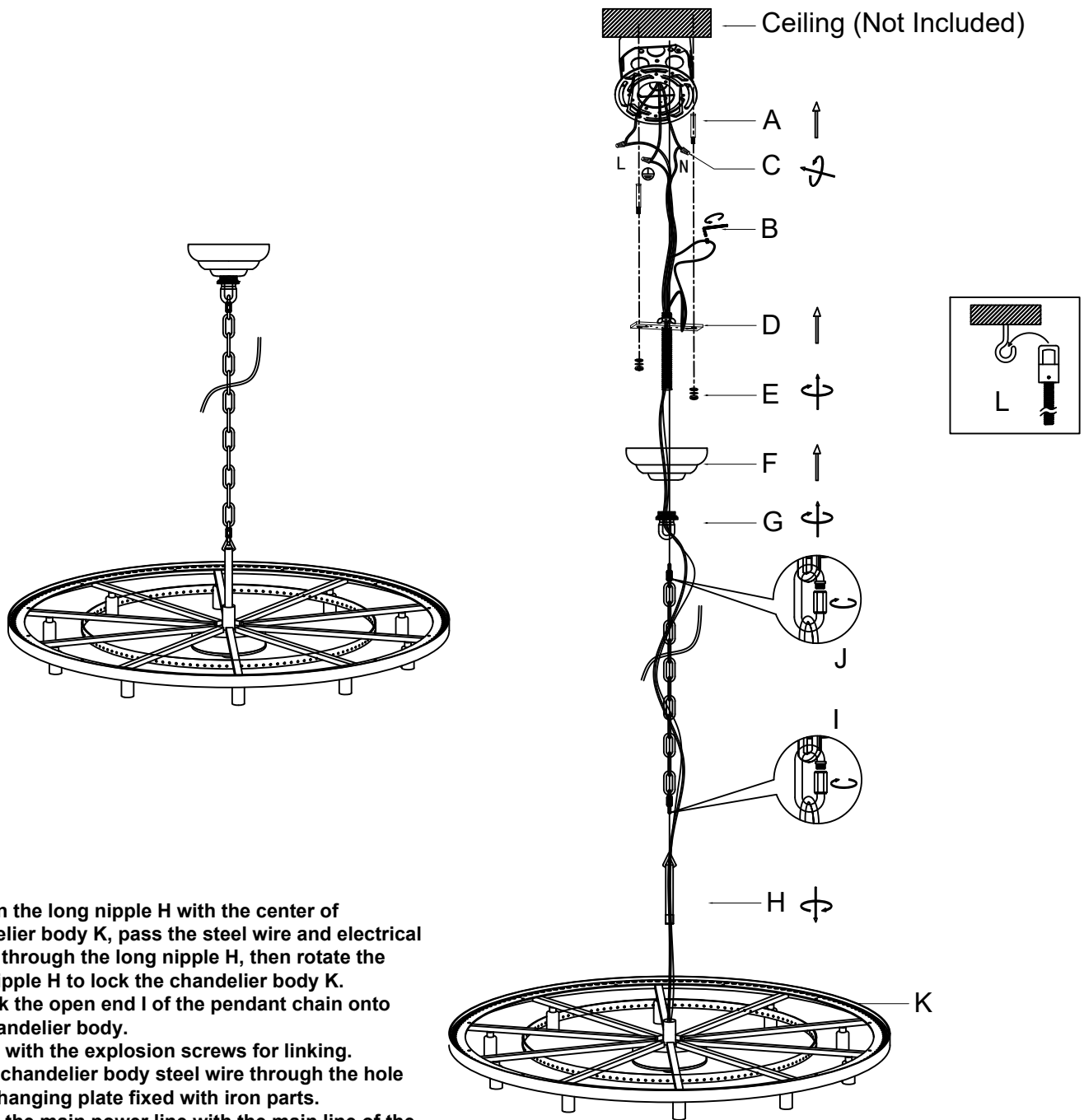


— K.Butterfly Clamp-140pcs



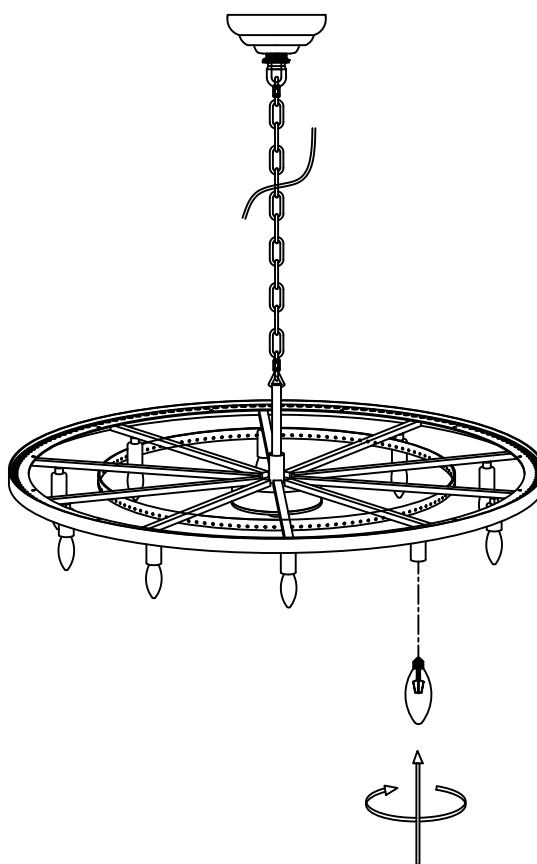
— L.Light Source-10pcs+2 Extra

Installation instruction



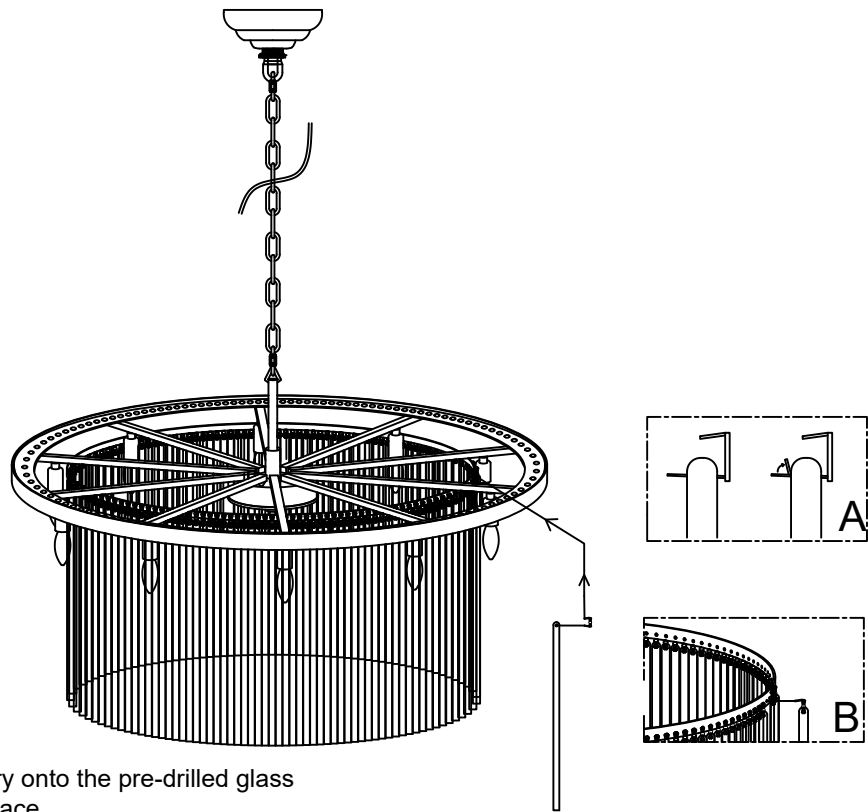
1. Align the long nipple H with the center of chandelier body K, pass the steel wire and electrical wiring through the long nipple H, then rotate the long nipple H to lock the chandelier body K.
2. Hook the open end I of the pendant chain onto the chandelier body.
3. Wall with the explosion screws for linking.
4. The chandelier body steel wire through the hole of the hanging plate fixed with iron parts.
5. Link the main power line with the main line of the lamp body.
6. Align the holes of ceiling plate D with mounting screw A, then secure with nuts.
7. Position canopy F vertically upward to align with and pass through the threaded nipple, then lock the threaded nipple with lifting ring F.
8. Hook the open-eye lifting ring J on the pendant chain onto lifting ring G. (Alternatively, connect the lifting ring assembly to the threaded rod when a ceiling hook is present).

Installation instruction

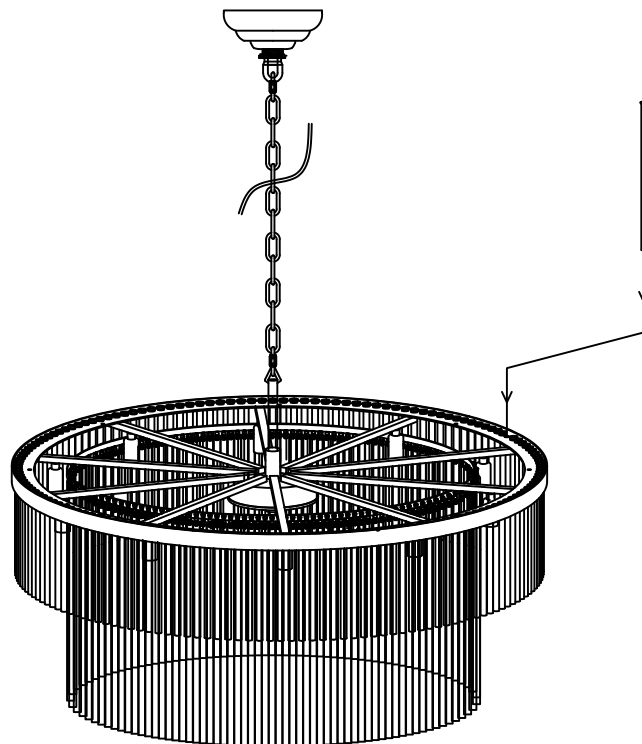


Screw 10pcs E12 light source into the lamp head.

Installation instruction



1. Secure the butterfly clamp accessory onto the pre-drilled glass strip by crimping to lock the glass in place.
2. Hook the butterfly clamp onto the glass, align it with the threaded hole on the chandelier body, then crimp the clamp wings to lock securely.



1. Align the glass strip with the positioning hole on the upper surface of the chandelier body and insert it vertically without force.

Before assembly:

Please read all the instructions carefully.

Keep the instruction manual for future reference

Separate and list all parts and hardware

Read each step carefully and follow the correct installation order.

To avoid losing any parts during assembly, we recommend not moving the lamp before completing the assembly. Always place the product on a flat, firm, and stable surface.

Keep all small parts and packaging materials of this product away from babies and children, as they may cause serious injury.

★Product Parameters:

light: E12*10 watt: 4W (single) color temperature: 2700K

Warranty

Our dedicated customer service team is available 24 hours a day to assist you. If you have any questions or concerns, we guarantee a response within 24 hours. During the warranty period, if you encounter any problems or need assistance, please don't hesitate to reach out to us via email. To ensure a swift and accurate resolution, kindly provide your order ID and detailed information regarding the issue.

Important Note: Please use this light fixture only for its intended purpose and avoid retrofitting or remodeling it. The warranty does not cover failures caused by third-party products or natural disasters.

If your product has any issues upon receipt, please:

- 1. Provide your order number.*
- 2. Attach a photo or video of the issue.*
- 3. Contact us through the platform's customer service.*