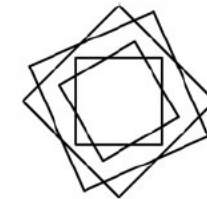
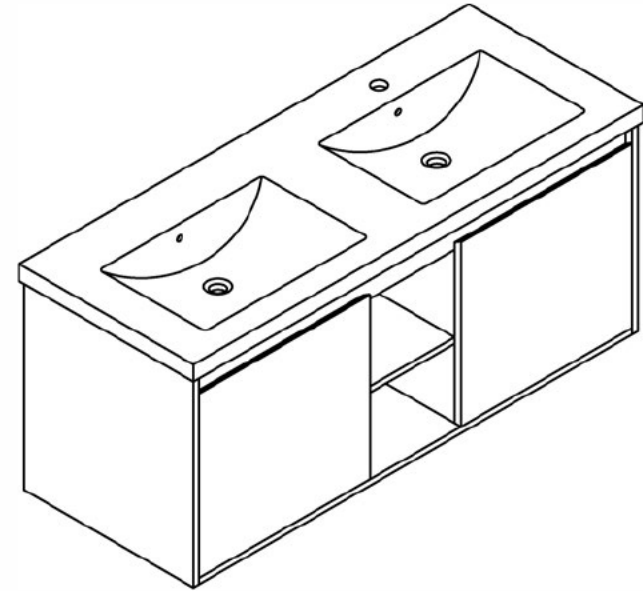


Installation Manual

**MOTIVATE
YOUR LIFE !**

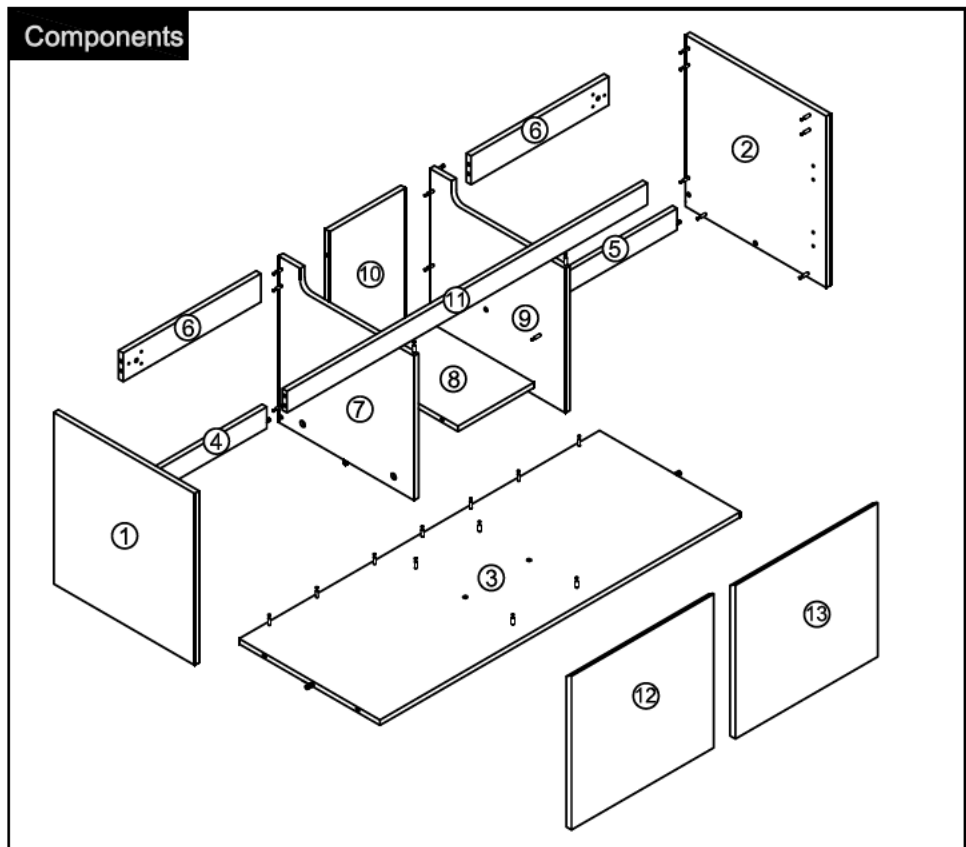
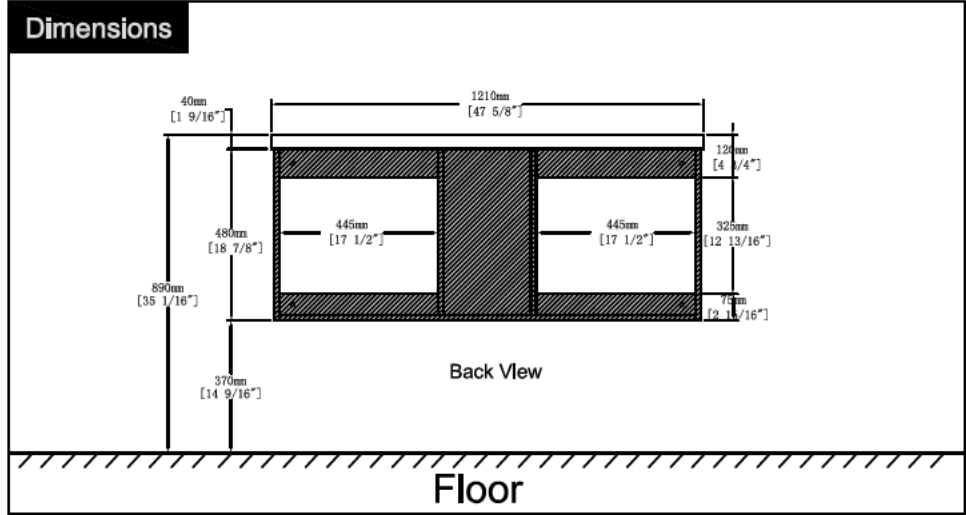
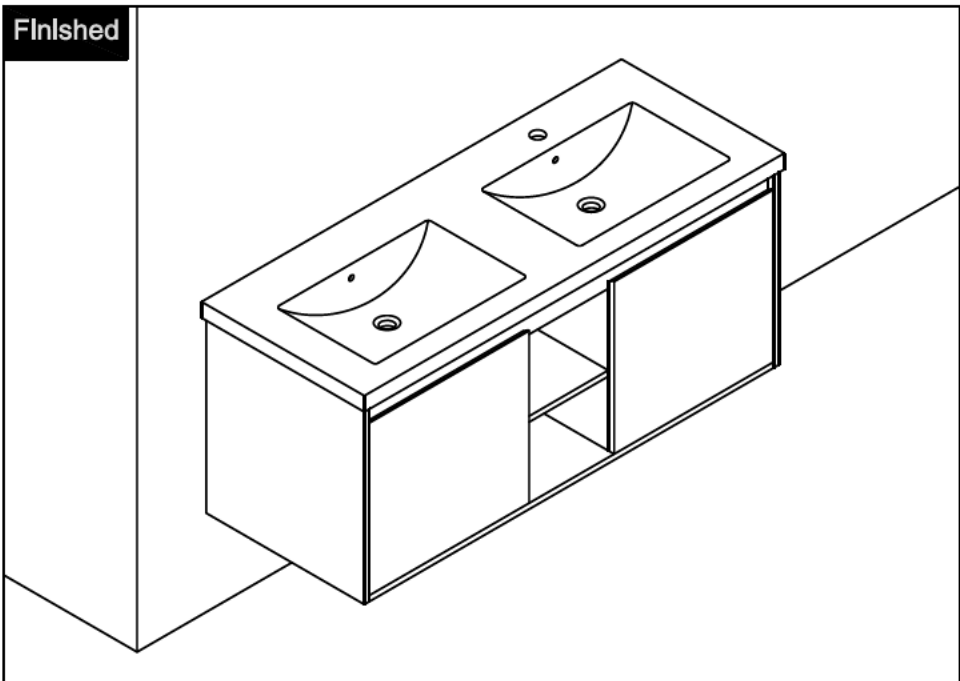
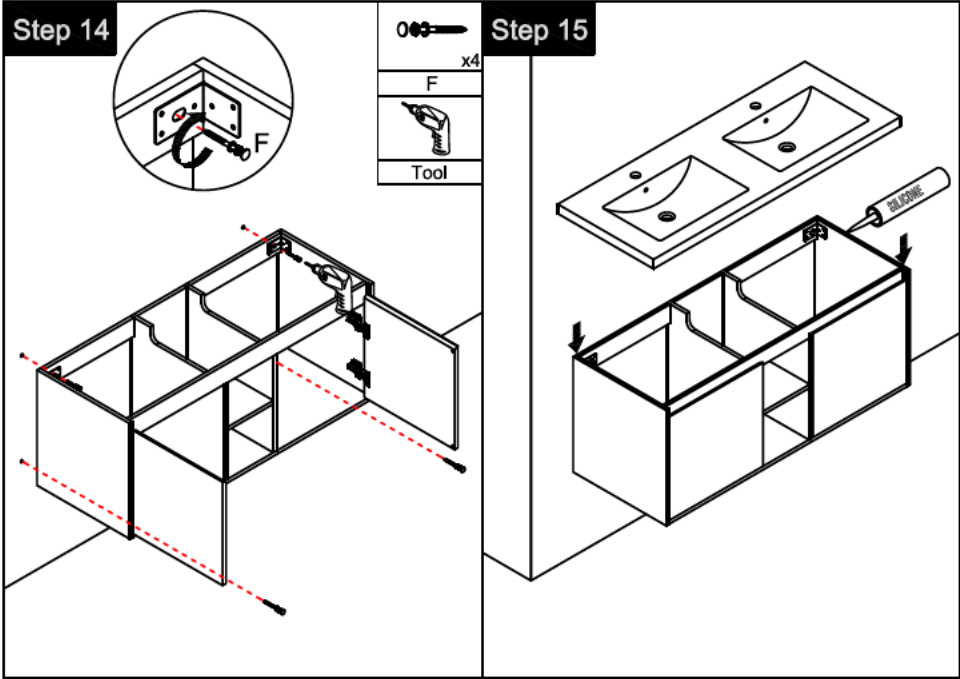
THANKS FOR WATCHING

Your feedback is invaluable to us and we would love to hear about your experience. Please take the time to leave us a review.



Thank you for shopping with us!

We encourage you to take a few minutes to go through this booklet. It contains important information on installation and care tips to keep your furniture looking as good as new.



Step 1

Notes: Screw installation depth as shown

Attention: Cam lock arrow point to the steel rod.

Legend:
 B x3
 C x3
 K x1

Step 2

Note: The D parts are used for this hole

Legend:
 B x2
 C x2
 D x1
 K x1

first step second step third step

Step 11

Legend:
 Tool

Step 12

Legend:
 Tool

Step 13

Legend:
 E x4
 Tool

Step 9

	x2
G	x2
H	x2
(Ø4 x 14mm)	x20
A	
	Tool

Step 10

	x4
I	x4
(Ø4 x 14mm)	x24
A	
J	x4
	Tool

You can adjust the doors by tightening or loosening the screws on the hinge. →

Step 3

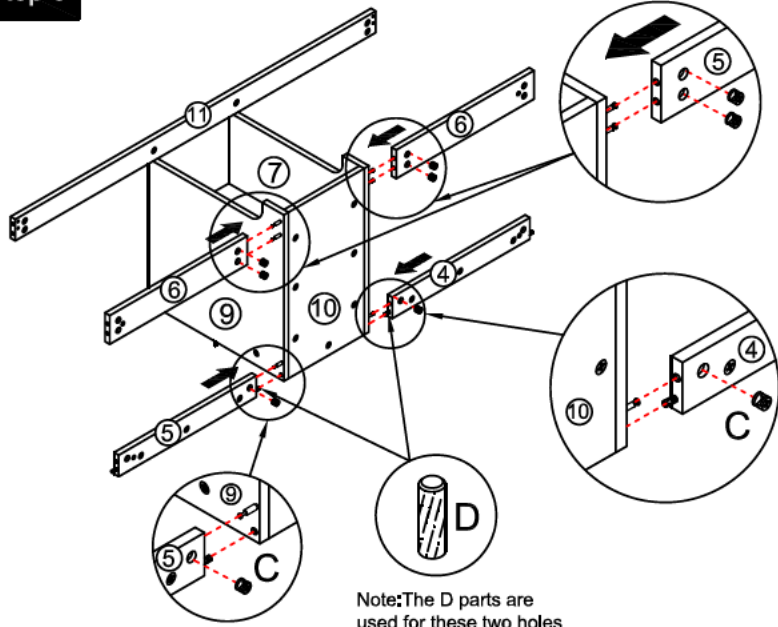
Note: The D parts are used for this hole

	x5
B	x5
C	x5
D	x1
K	x1

Step 4

	x2
B	x2
C	x2
K	x1

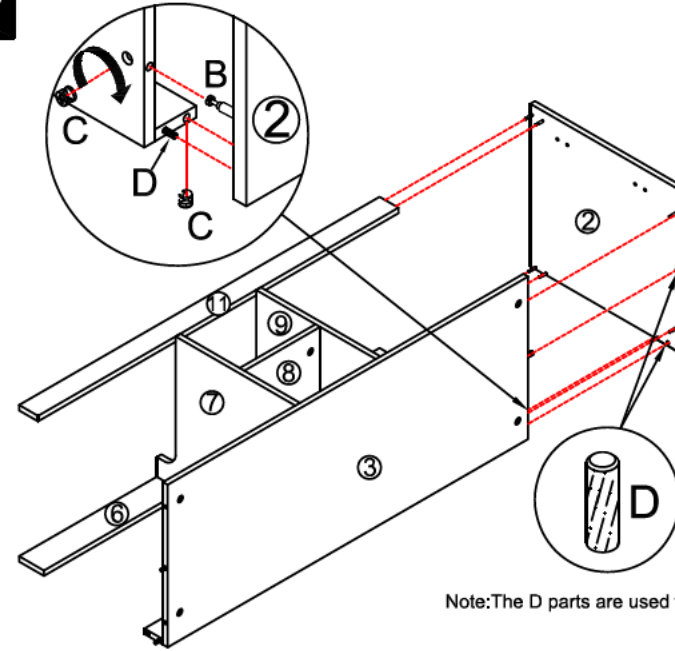
Step 5



	x6
B	
	x6
C	
	x2
D	
	x1
K	

Note: The D parts are used for these two holes

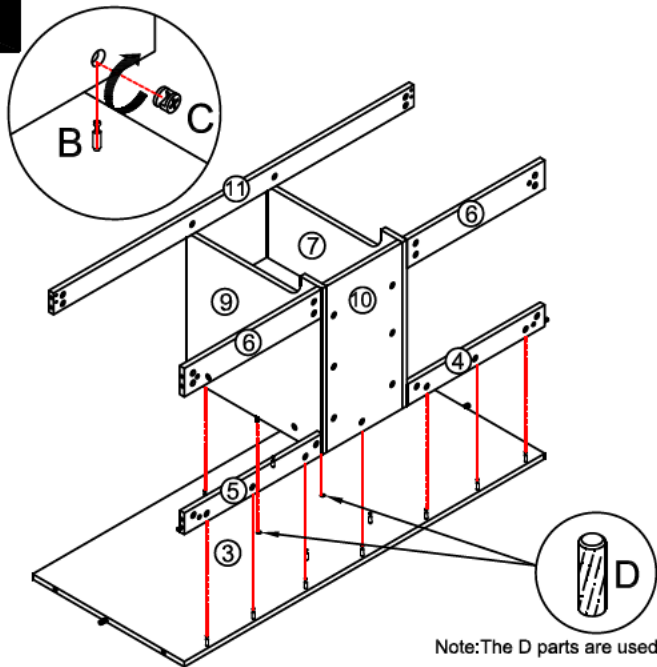
Step 7



	x7
B	
	x7
C	
	x2
D	
	x1
K	

Note: The D parts are used for these two holes

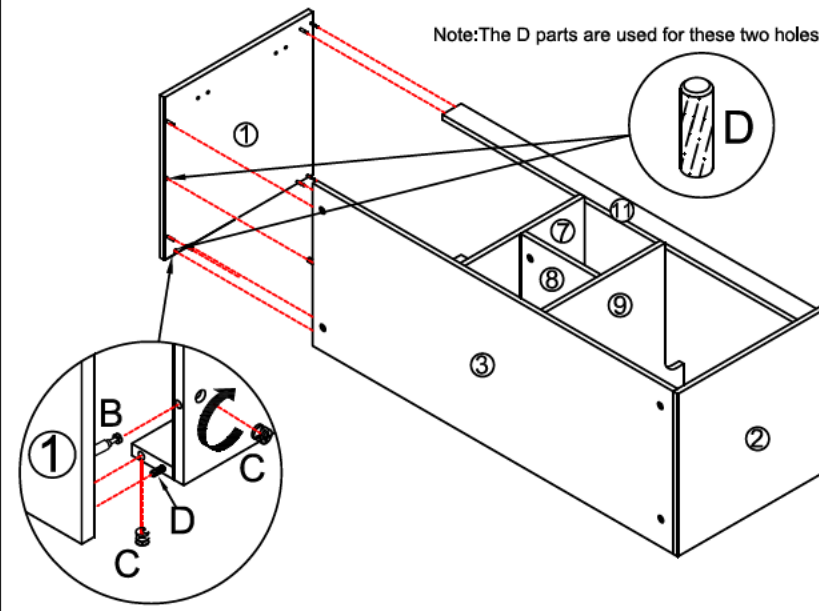
Step 6



	x11
B	
	x11
C	
	x2
D	
	x1
K	

Note: The D parts are used for these two holes

Step 8



Note: The D parts are used for these two holes

	x7
B	
	x7
C	
	x2
D	
	x1
K	