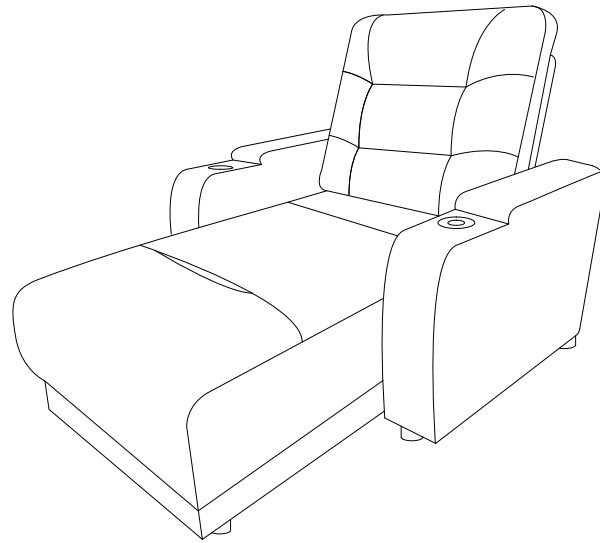
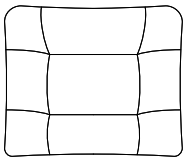


ASSEMBLY INSTRUCTION

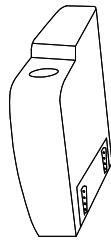


A



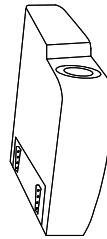
X1

B



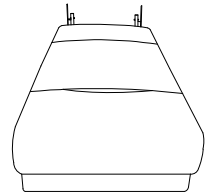
X1

C



X1

D



X1

E



X1

F



X1

G



X1

H



X1

I

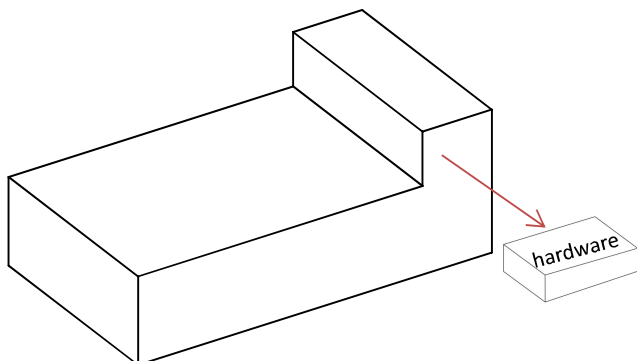


X8

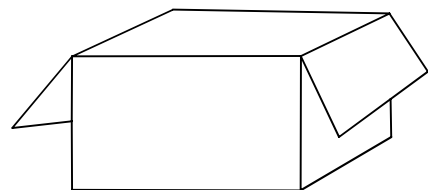
BEFORE ASSEMBLY

Take out the parts D&E&F&G&H from the Box 1 of 2.
Take out the parts A&B&C from the Box 2 of 2.

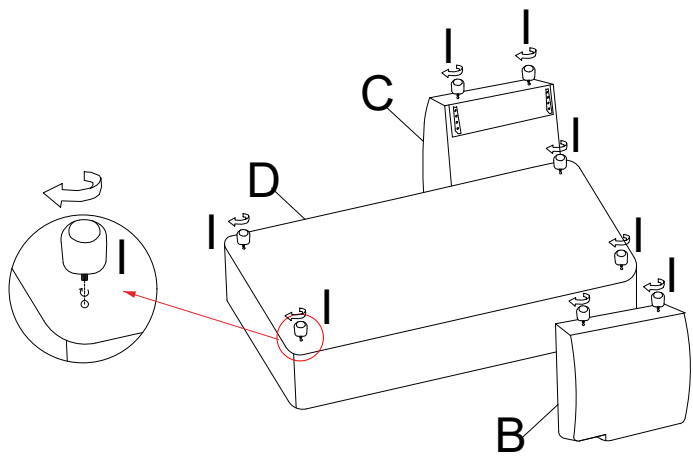
BOX 1 OF 2



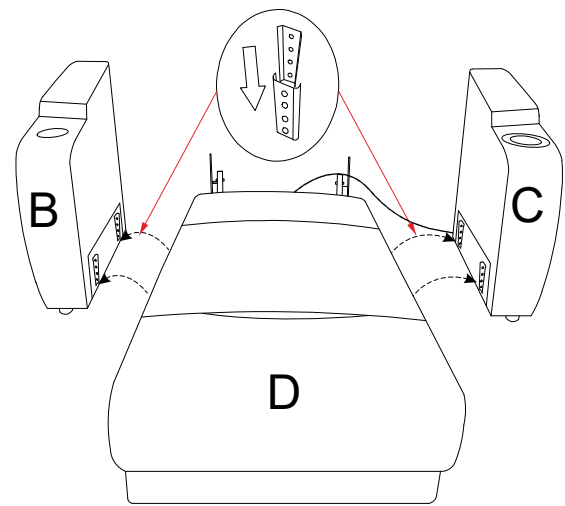
BOX 2 OF 2



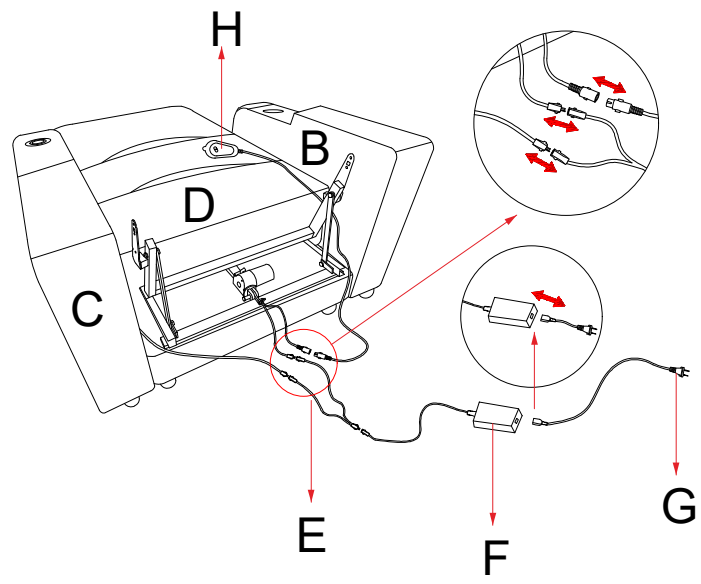
STEP 1:



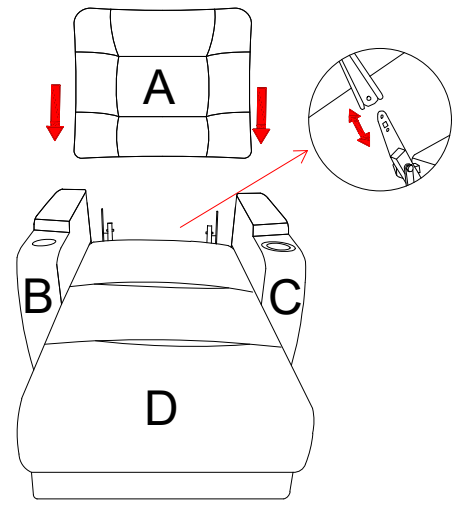
STEP 2:



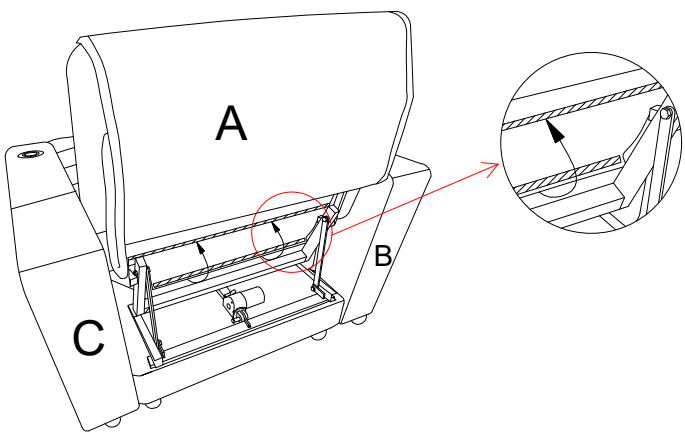
STEP 3:



STEP 4:



STEP 4:



STEP 5:

