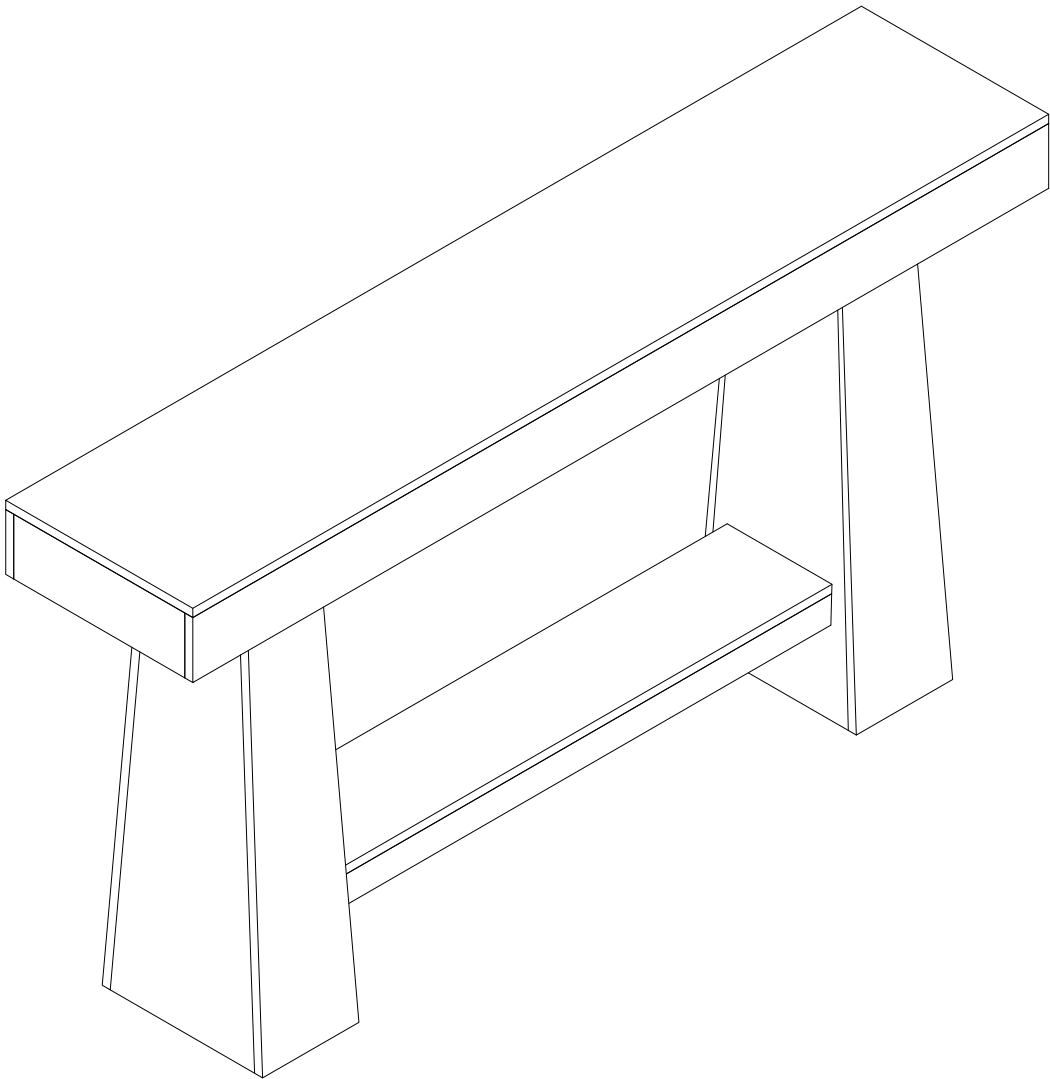


Assembly Instructions

Console Table



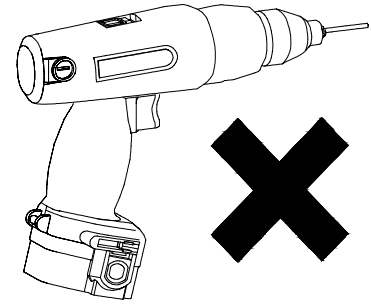
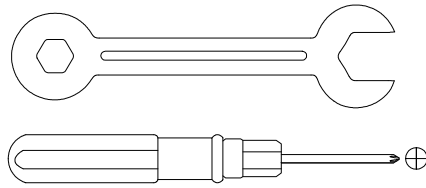
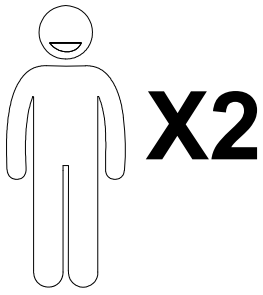
Contact Us

We're here to help you.

Your satisfaction is our top priority. If you encounter any issues with this product, such as missing or damaged parts, we're here to help. Please retain the original packaging and take photos of the packaging and the product, then contact us as soon as possible.

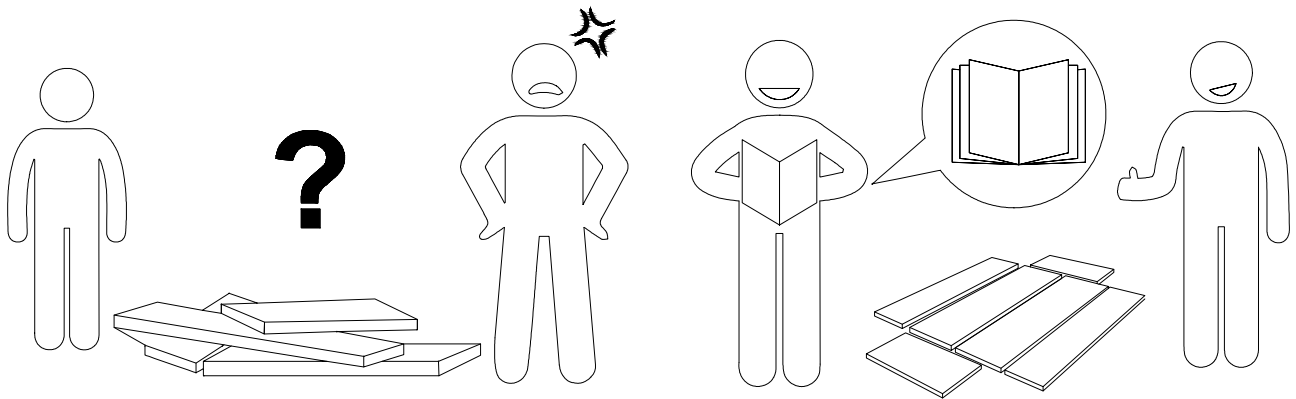
Warm Tips

1. Carefully read these instructions and keep them for future reference.
2. Check the parts list and confirm everything's there before starting assembly.
3. When assembling, put all parts on a soft, smooth surface like a carpet to avoid scratches.
4. Don't fully tighten screws until all parts are confirmed in place to avoid misalignment.



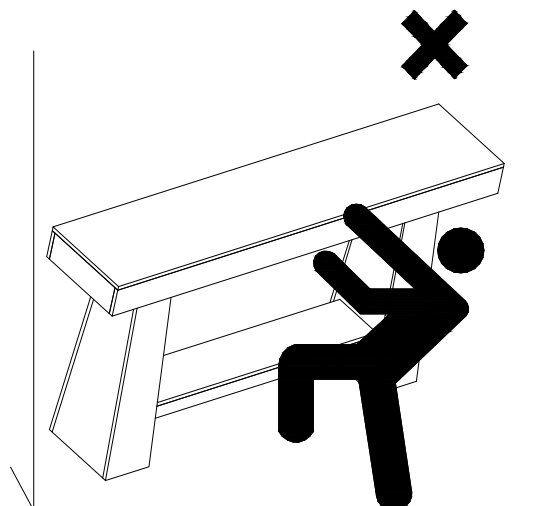
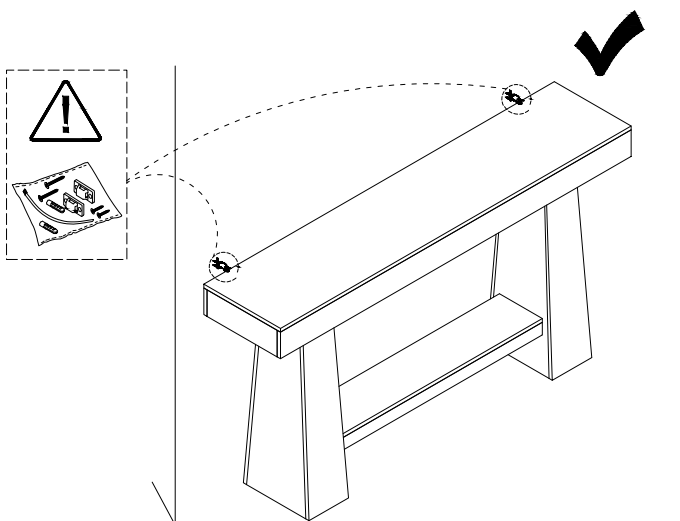
We recommend using hand tools for assembly.

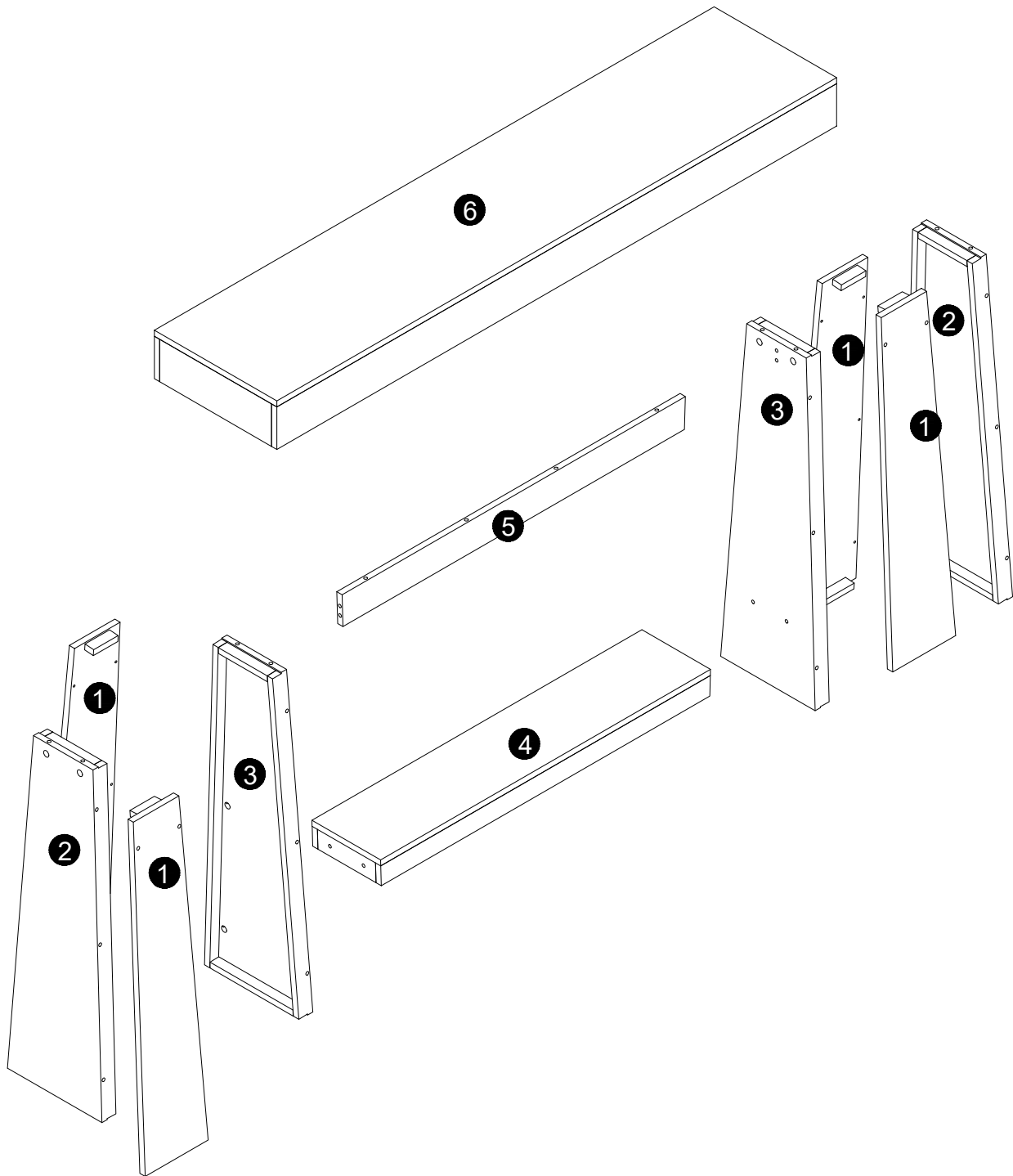
If an electric screwdriver is used, reduce power and torque to avoid damage to the product.



Install the Anti-Tip Straps

Using the anti-tip straps can reduce the risk of tipping over, but cannot eliminate it.

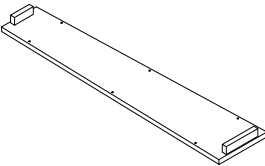
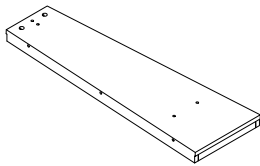
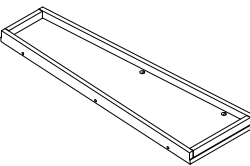
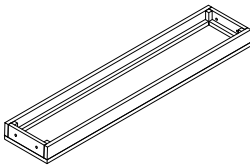
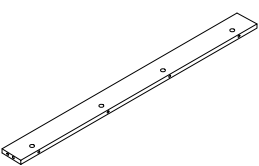
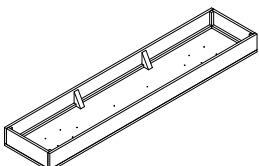





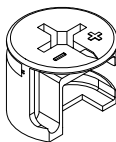
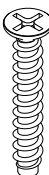
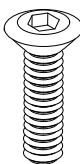
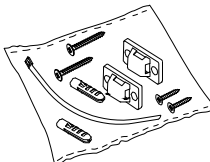
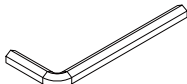
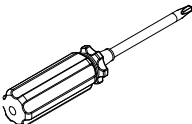

⚠ Caution

Make sure all parts are included. Most board parts are labeled or stamped on the raw edge. Contact us for a free replacement if you encounter any damaged or missing parts.

Parts List

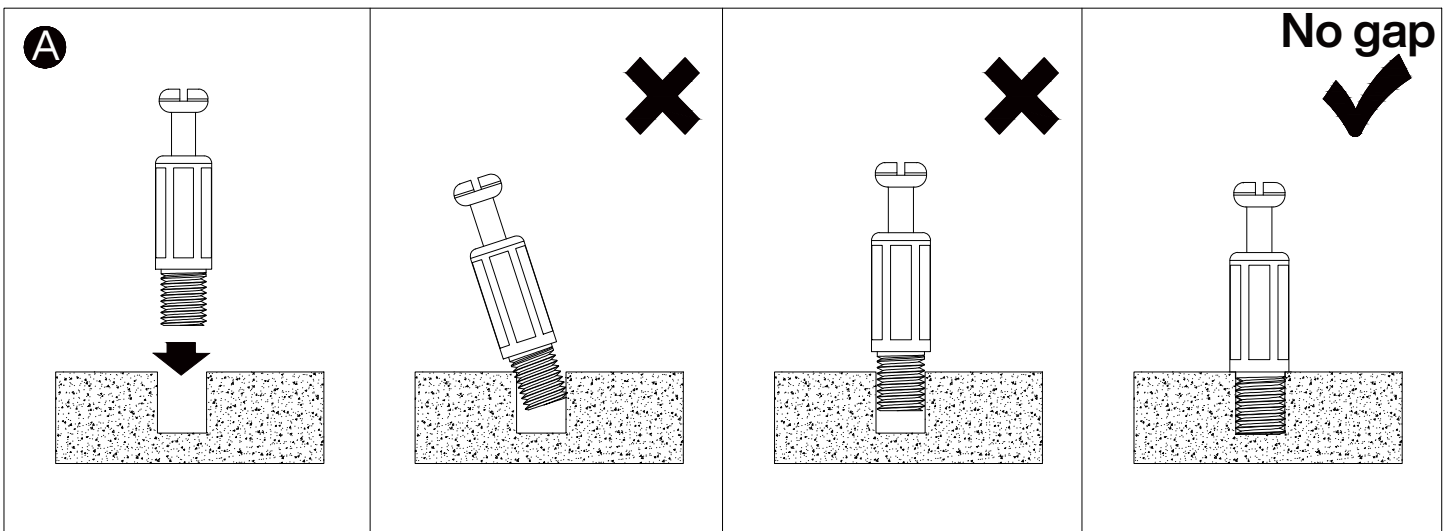
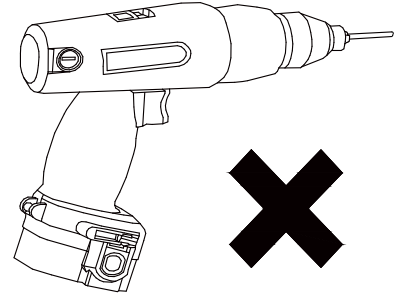
<p>1</p>  <p>4 pcs</p>	<p>2</p>  <p>2 pcs</p>	<p>3</p>  <p>2 pcs</p>	<p>4</p>  <p>1 pc</p>	<p>5</p>  <p>1 pc</p>
<p>6</p>  <p>1 pc</p>				

Hardware List

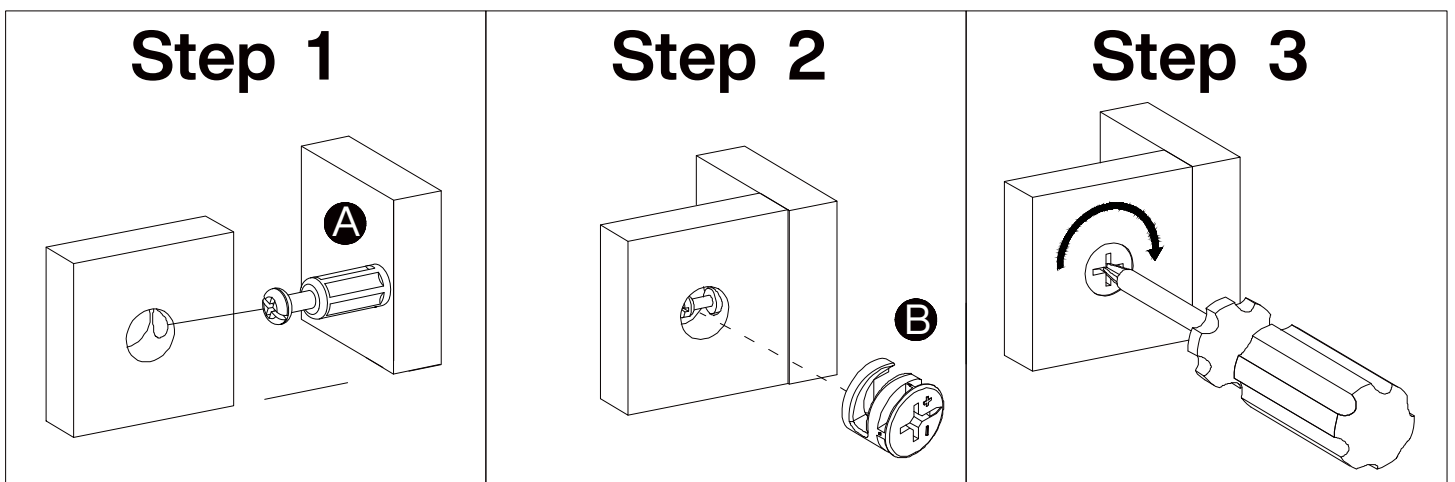
<p>A</p>  <p>M6x35mm</p>	<p>B</p>  <p>Ø15x12mm</p>	<p>C</p>  <p>Ø7x38mm</p>	<p>D</p>  <p>M6x25mm</p>	<p>E</p>  <p>2 pcs</p>	<p>F</p>  <p>4 mm</p>
<p>32 pcs</p>	<p>32 pcs</p>	<p>8 pcs</p>	<p>4 pcs</p>	<p>2 pcs</p>	<p>1 pc</p>
<p>G</p>  <p>Screwdriver</p>	<p>H</p>  <p>M10x3mm</p>				
<p>1 pc</p>	<p>8 pcs</p>				

Installation of Cams and Pins

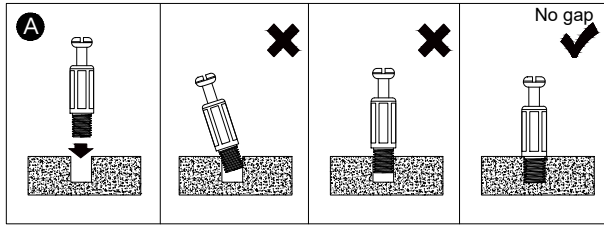
Read each step carefully before starting. Each step of instruction should be performed in the correct order. If these steps are not followed in sequence, assembly difficulties may occur.




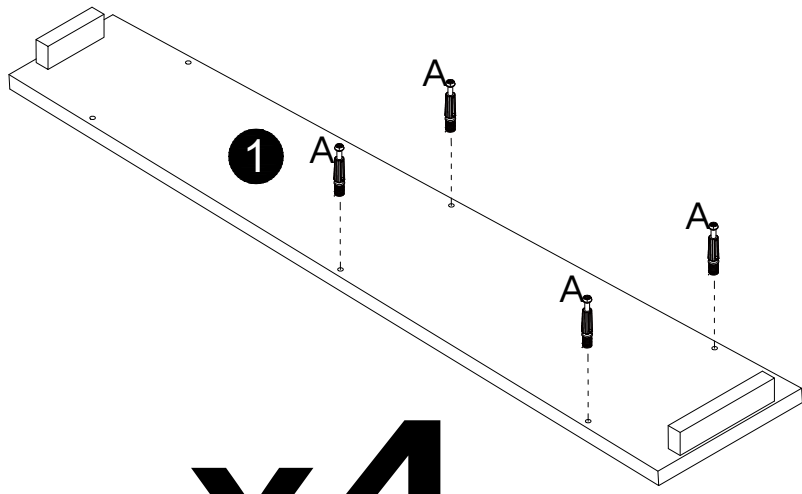
Screw the pin into the hole. Set the cams correctly by aligning the head of the cams with the lock pins. Lock the cam by turning the cam head with a screwdriver until it is tightened. Please do not use an electric screwdriver to assemble the unit.



1





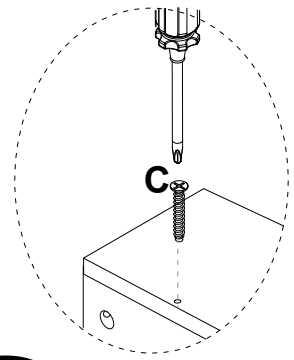
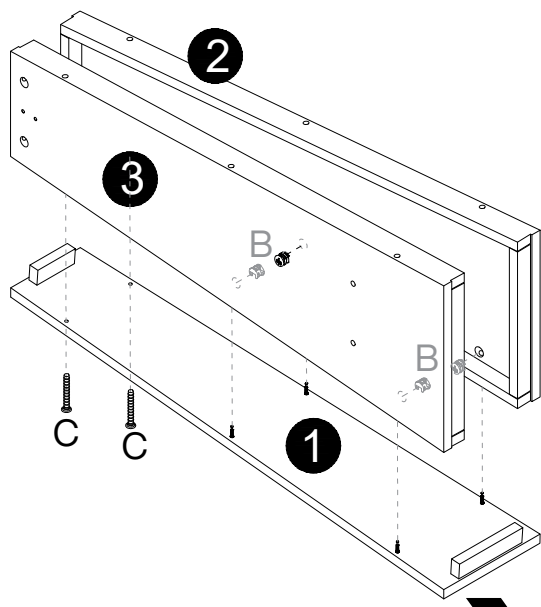
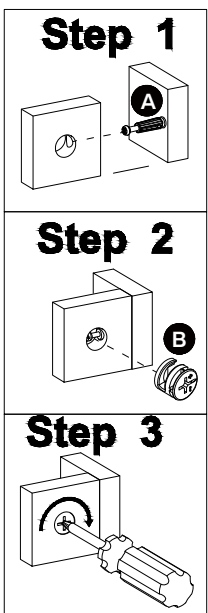
A

M6x35mm
16 pcs



x4



2

B	C
	
Ø15x12mm	Ø7x38mm
8 pcs	4 pcs

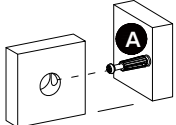


x2

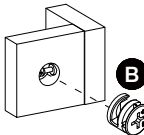
3

B	C
	
Ø15x12mm	Ø7x38mm
8 pcs	4 pcs

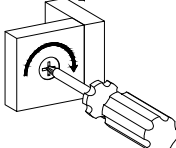
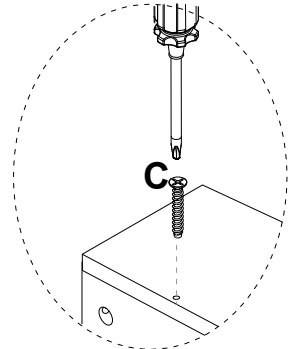
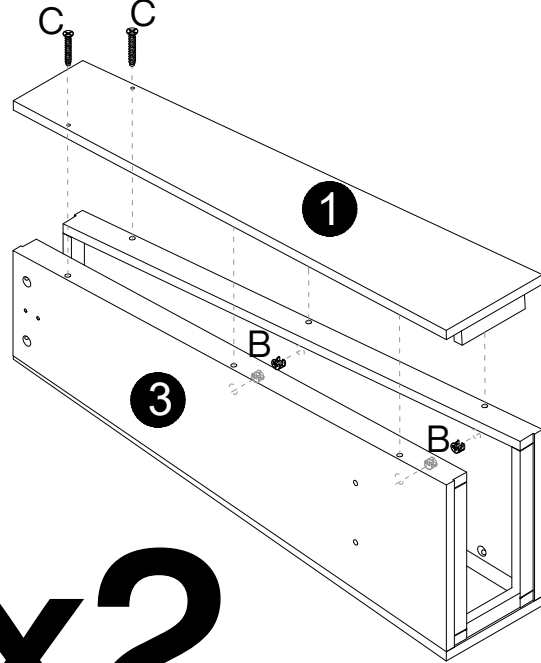
Step 1



Step 2

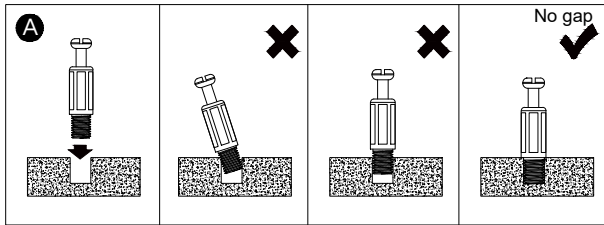



Step 3

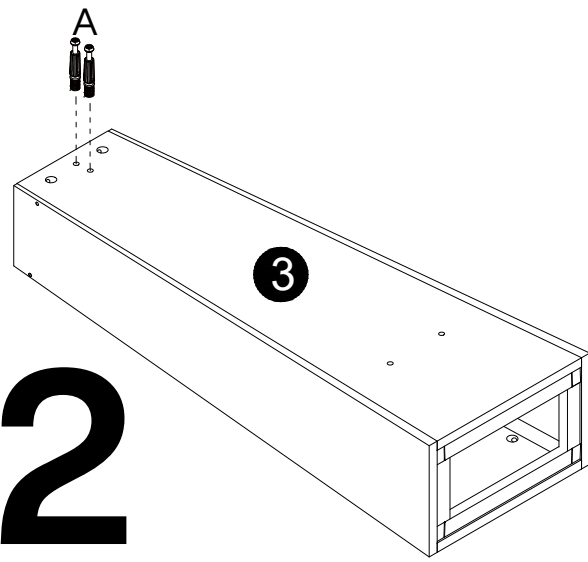



x2

4


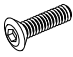



A

M6x35mm
4 pcs

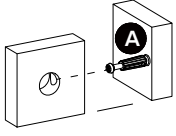


x2

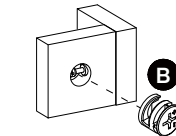
5

B	D	F
		
Ø15x12mm	M6x25mm	4mm
2 pcs	2 pcs	1 pc

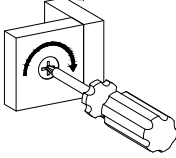
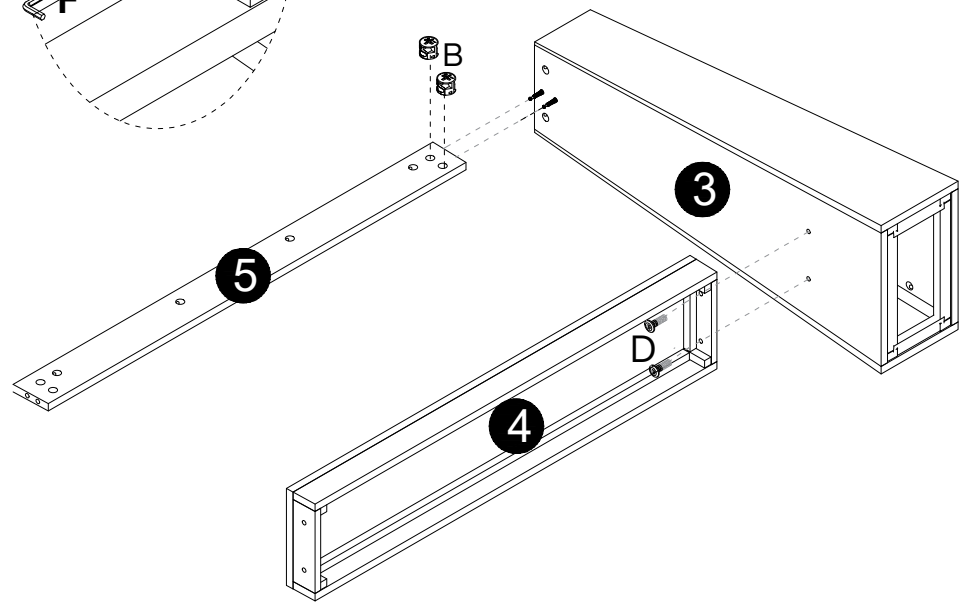
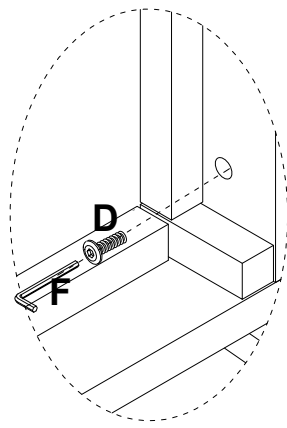
Step 1




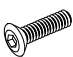

Step 2



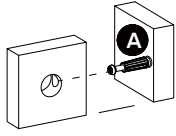
Step 3

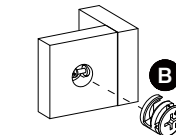
6

B	D	F
		
Ø15x12mm	M6x25mm	4mm
2 pcs	2 pcs	1 pc

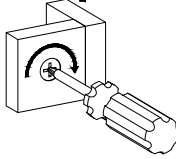
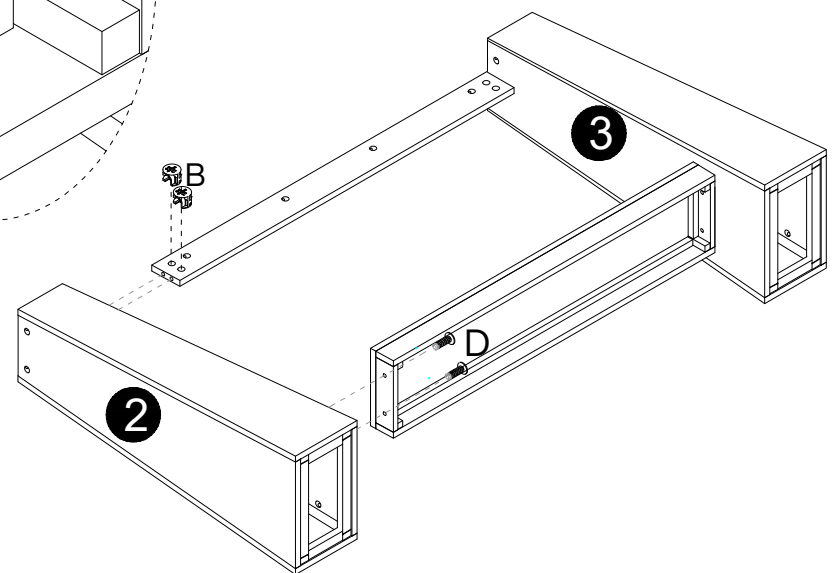
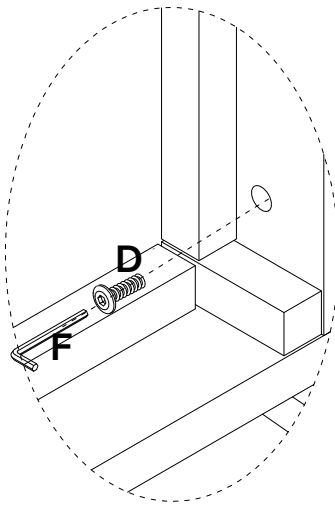
Step 1



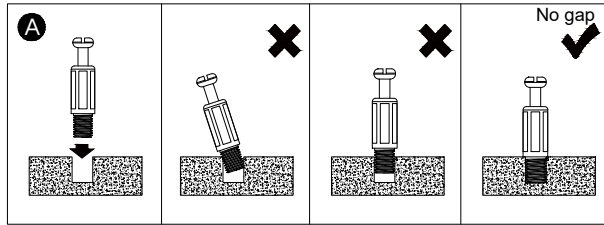
Step 2




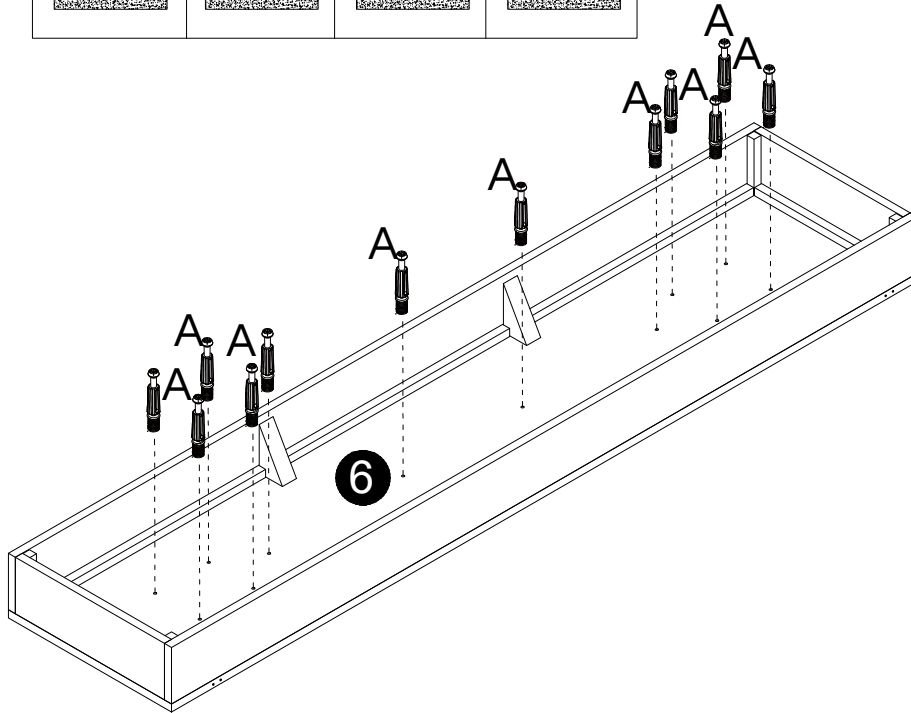
Step 3

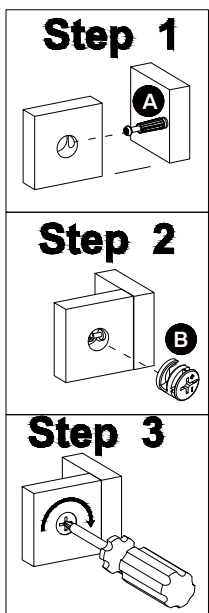
7




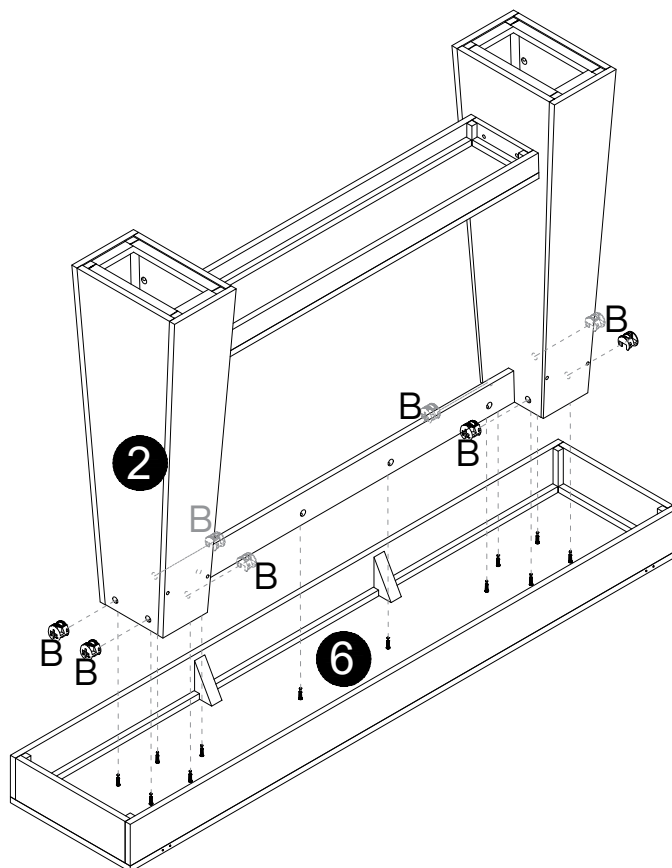
A

M6x35mm
12 pcs



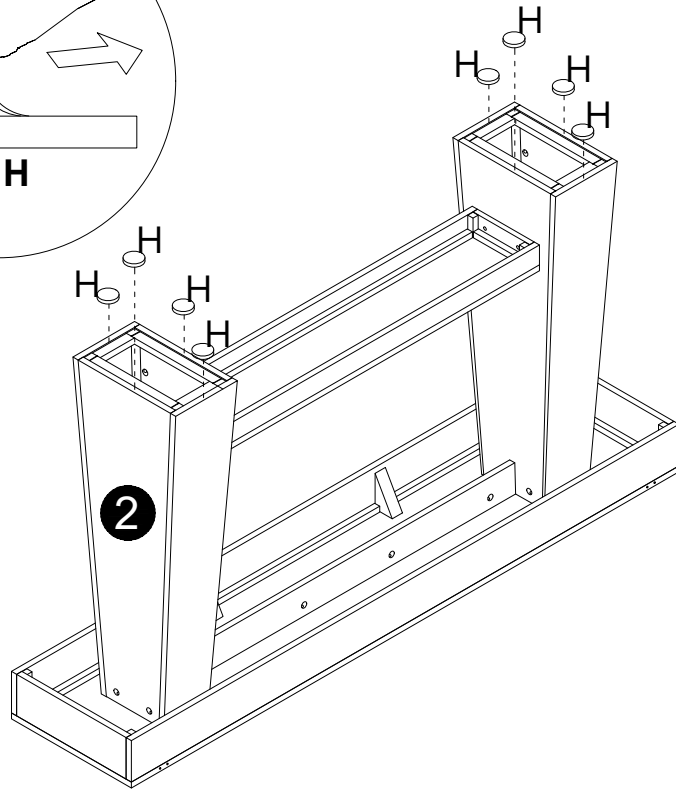
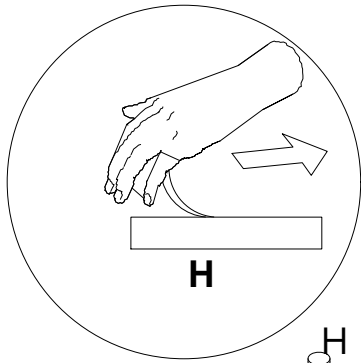
8

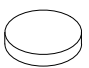


B

Ø15x12mm
12 pcs

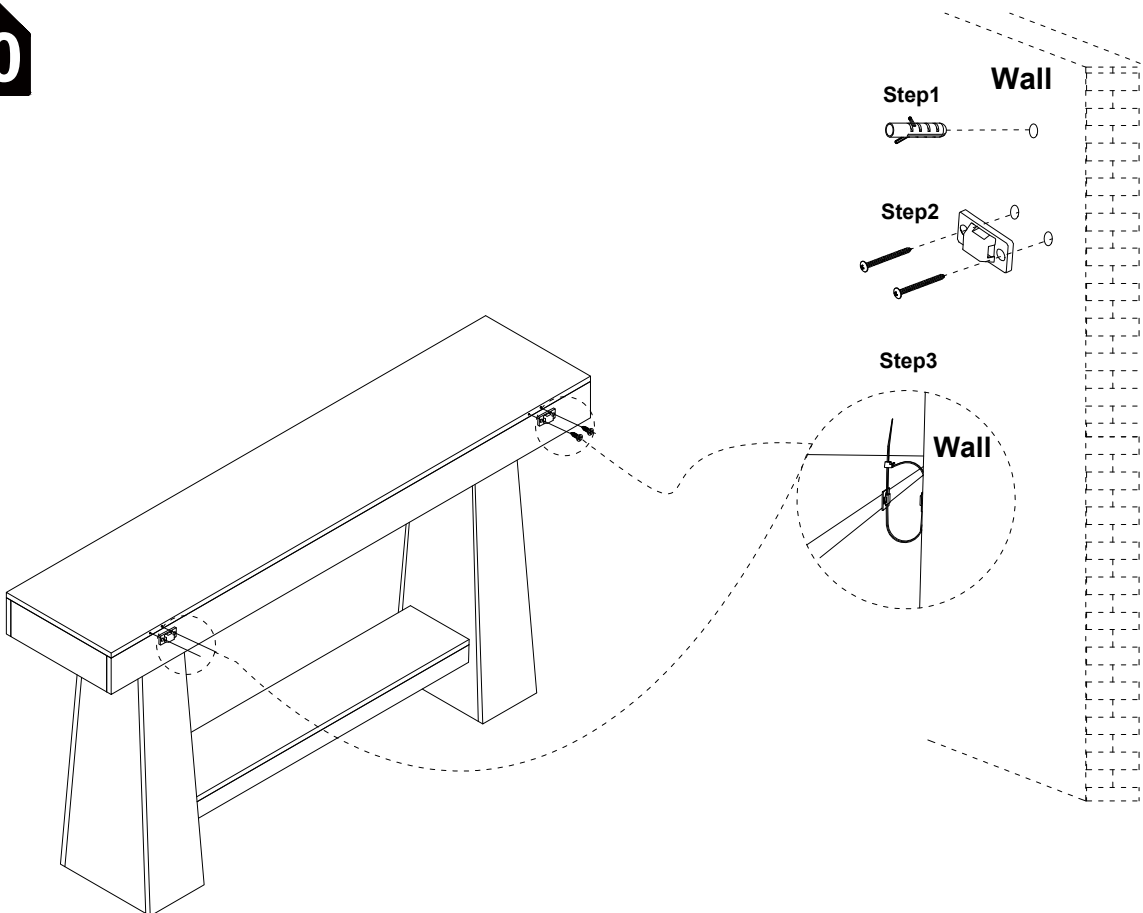



9



H

M10x3mm
8 pcs

10



E

2 pcs

Thank you for your support!

