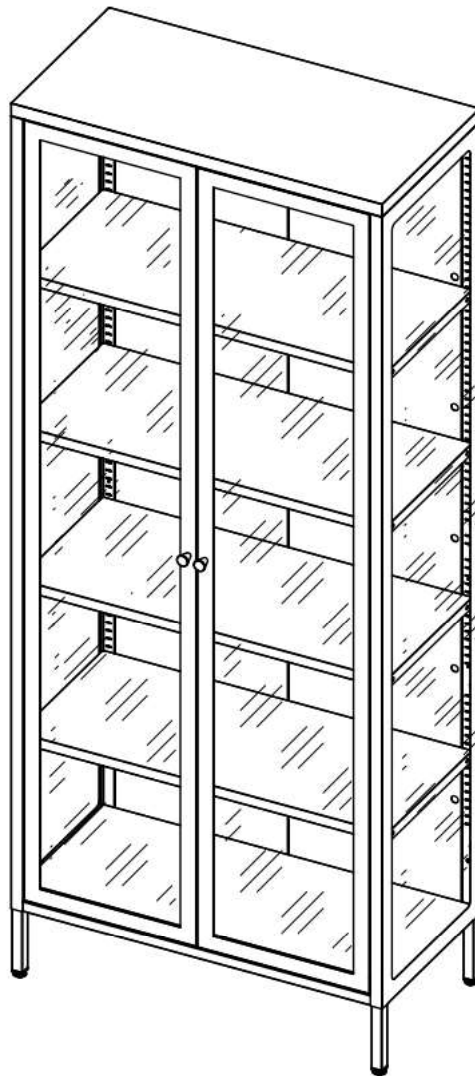


Metal Glass Display Cabinet Assembly Manual



Dear Valued Customer,

Thank you for your purchase! We sincerely appreciate your choice and trust in our product.

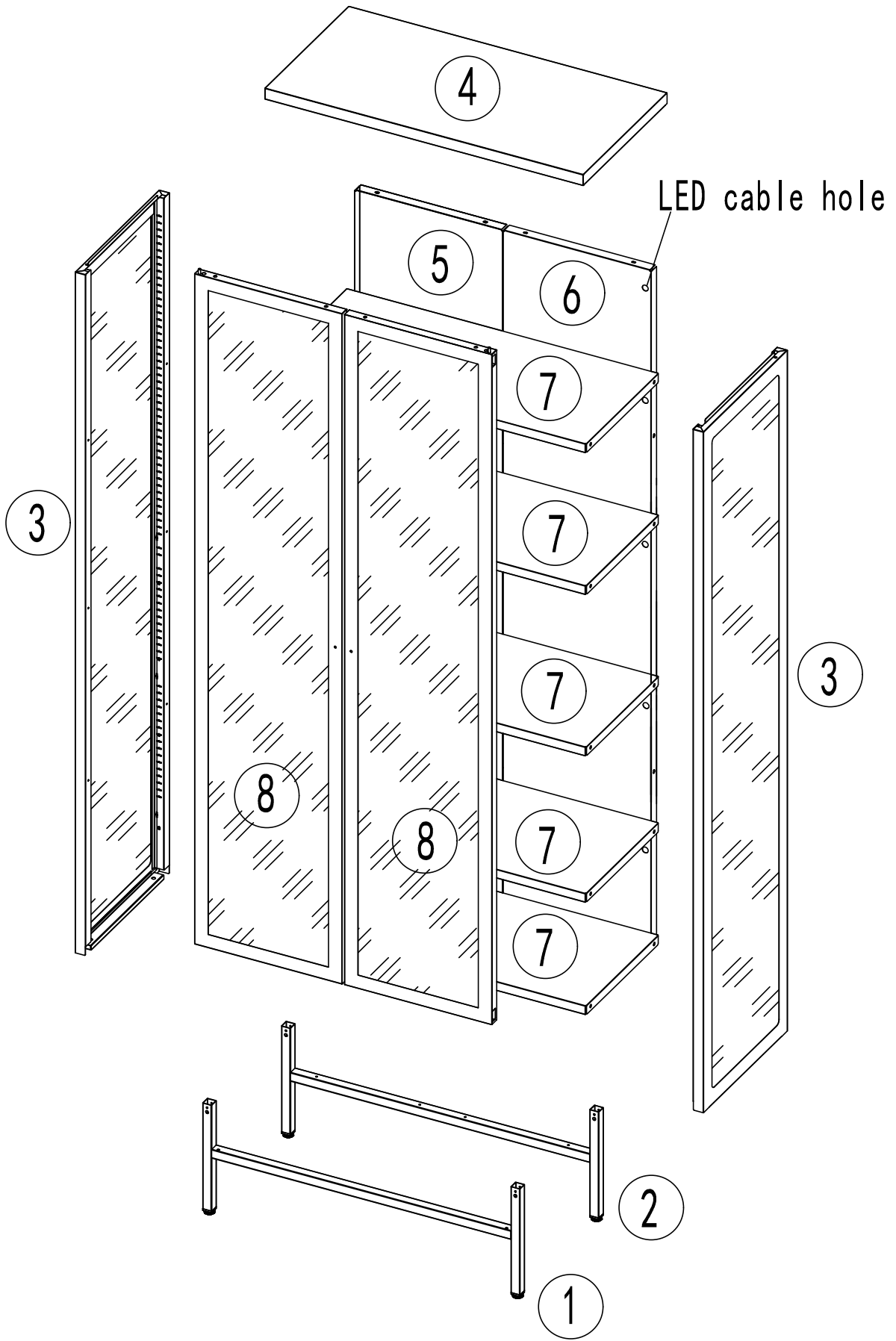
We are dedicated to providing high-quality products and after-sales service, including:


- Installation videos and guidance**
- Free replacement of damaged parts (please provide damage pictures and part numbers)**

If you need assistance or have any questions, please feel free to contact us through the purchasing platform. We are always here to help!

Thank you once again for your support!



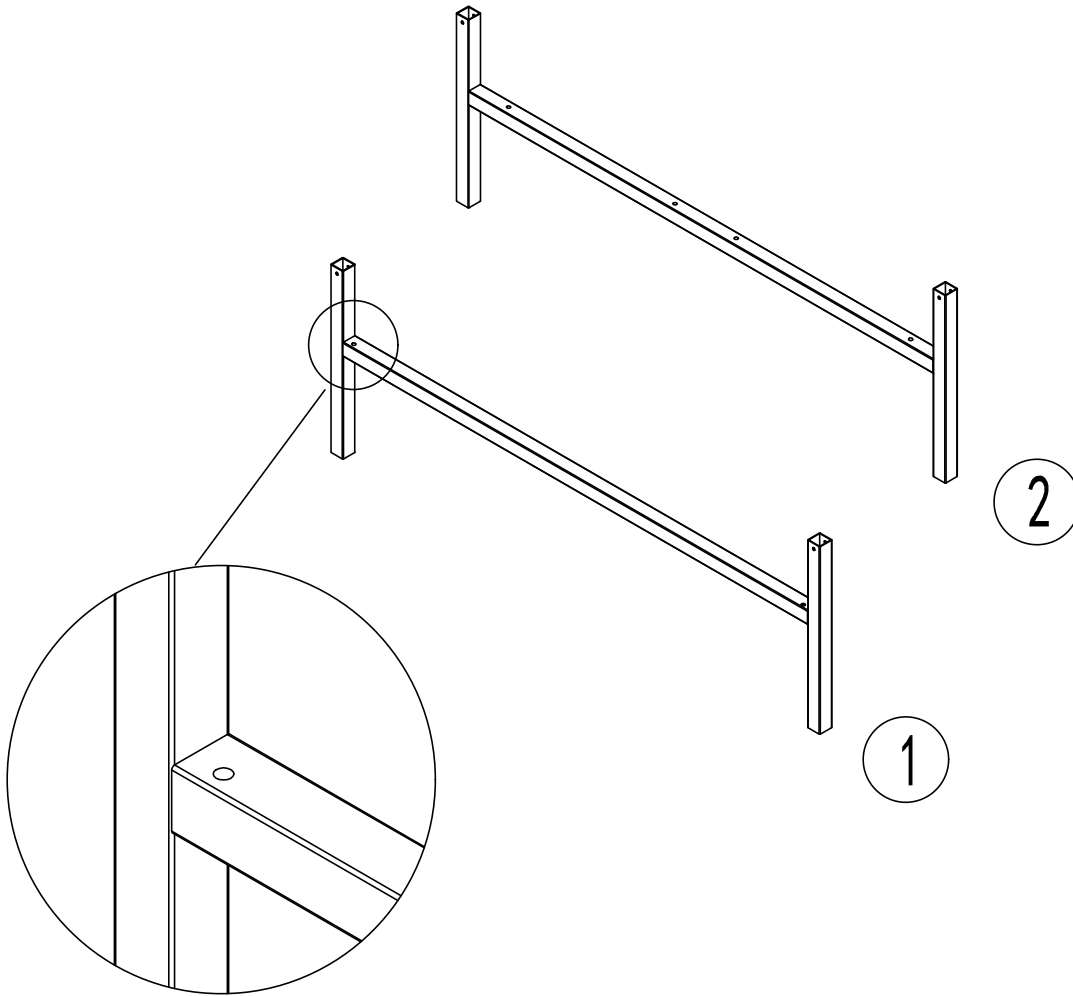


Label	Accessory	Quantity	
	back leg	1	
	front leg	1	
	side panels	2	
	top panel	1	
	left side panel	1	
	right side panel	1	
	shelves	5	
	glass doors	2	
	pull handles	2	
	pull handles screws	2	4 × 22mm
	bolts	2	
	plastics rings	2	
	screws	25	5 × 12mm
	holders	16	
	Screwdriver	1	

1

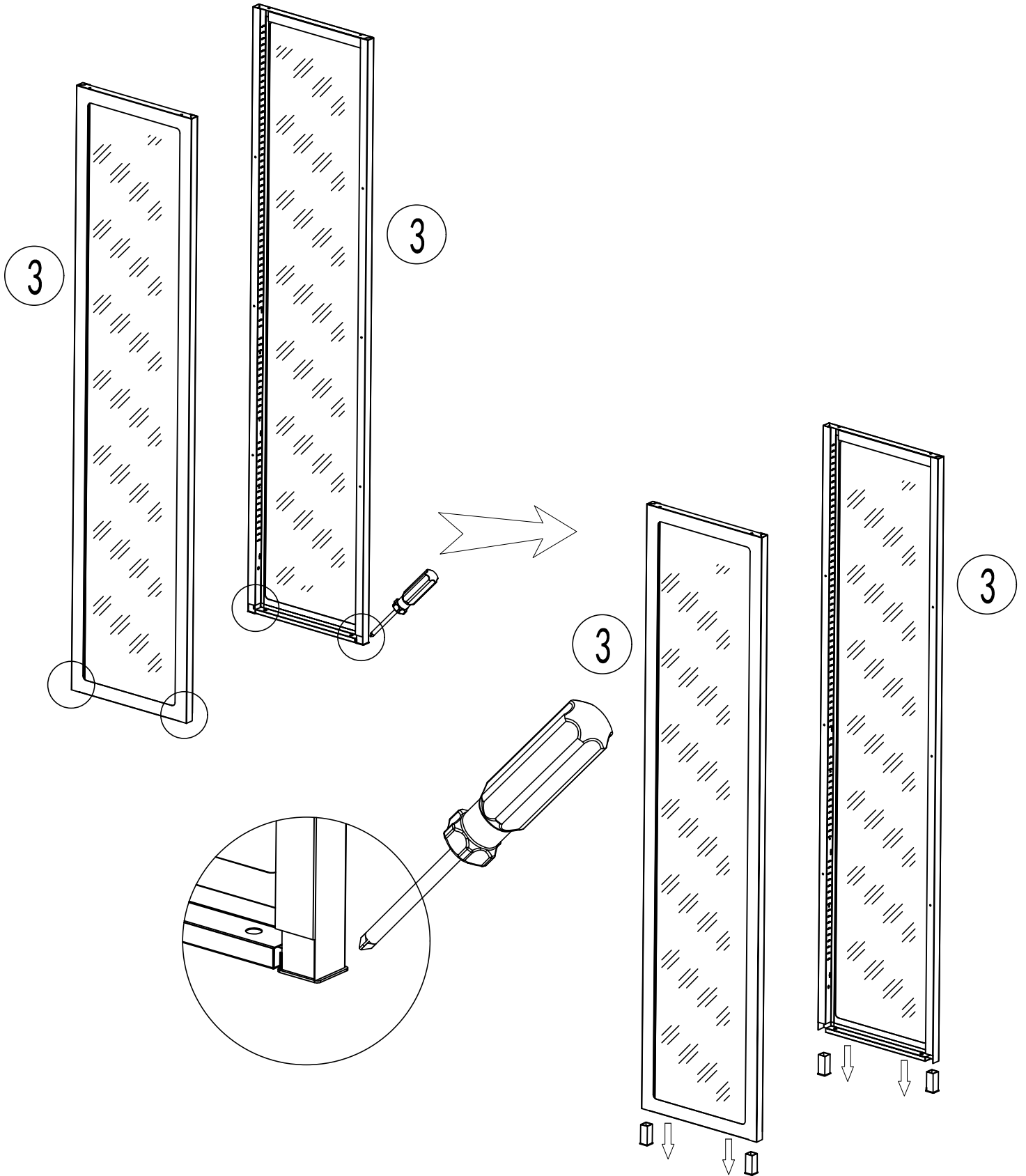
Take out the legs labeled ① and ②;

Attention: the small hole on the leg ① is facing outward;



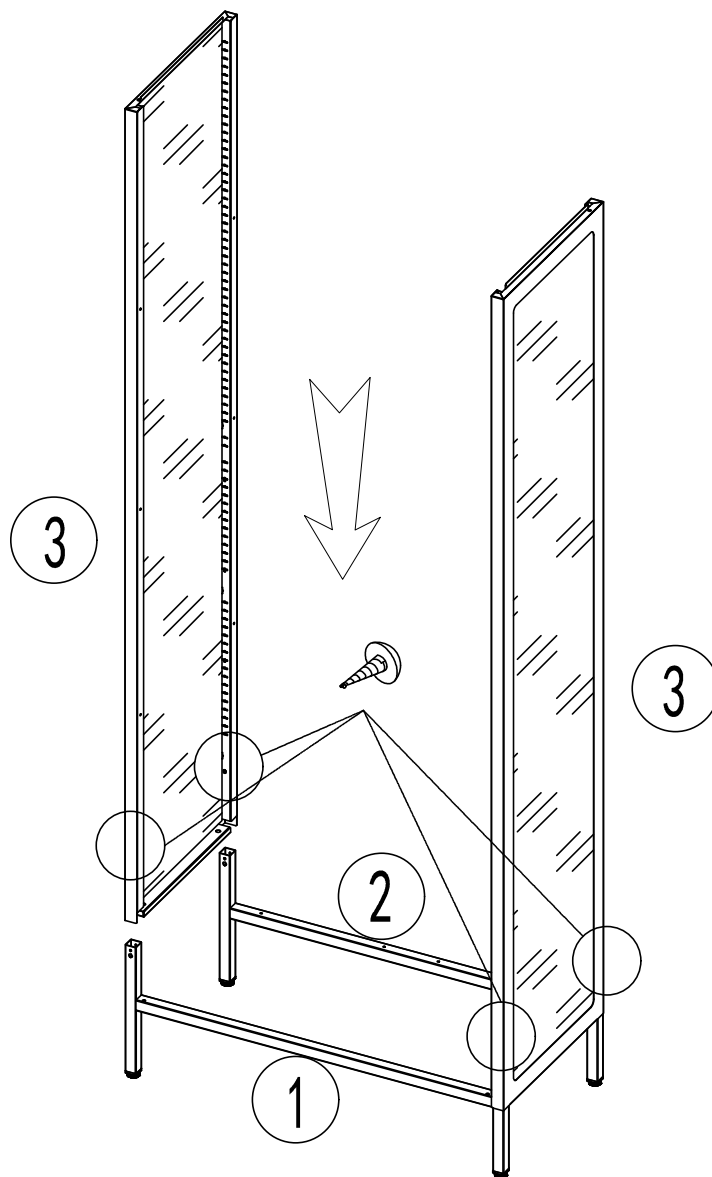
2

Remove the protective plug from side panels 3



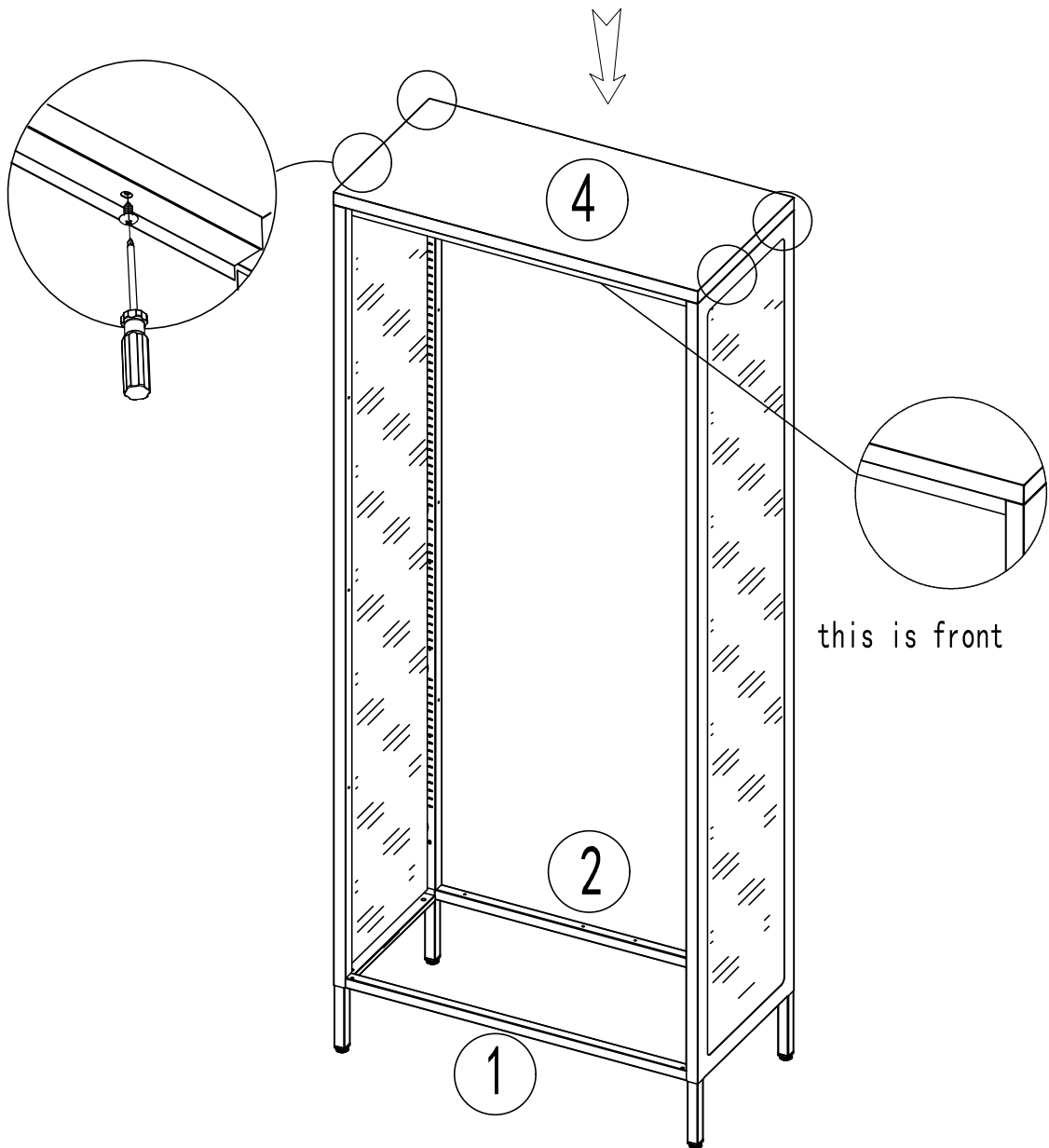
3

Insert the two side panels labeled ③ into the legs ① and ②;
Then use 4 screws to fix them;



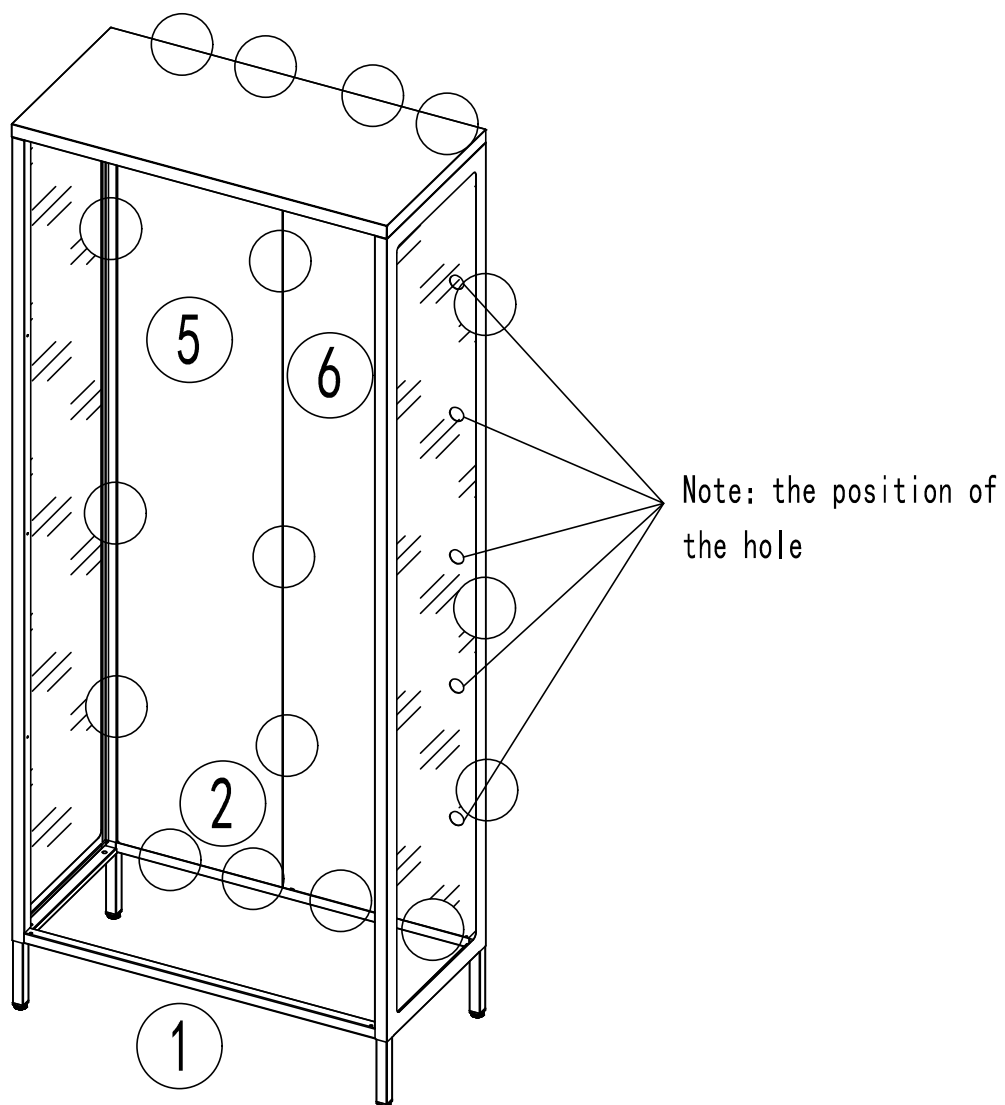
4

Install the top panel labeled ④ with 4 screws;
Attention: installation like the picture, pay
attention to distinguishing the front and back
of the top panel;



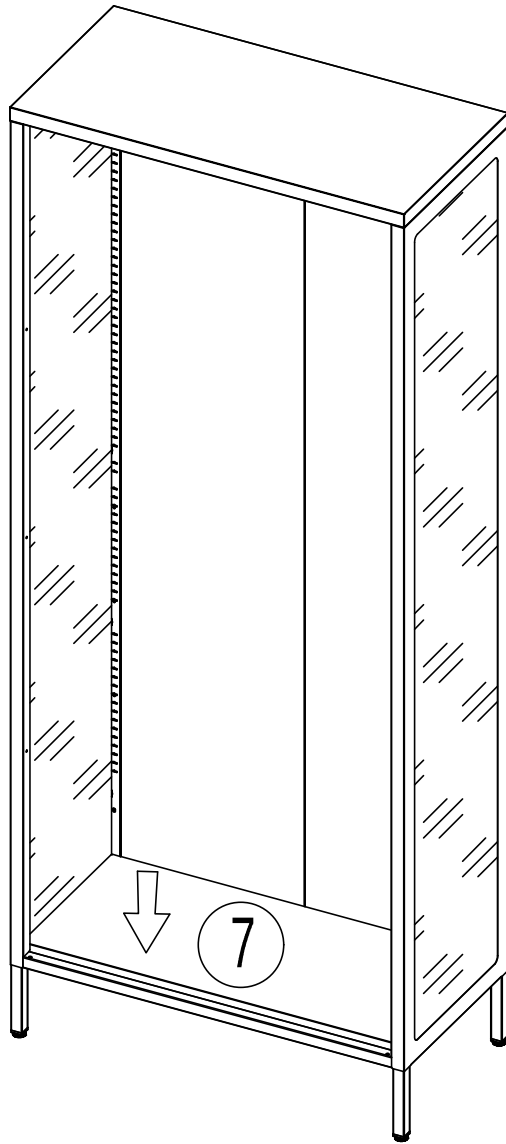
5

Install the left and right back panels labeled ⑤ and ⑥ with 17 screws on the leg ②;
Attention: The side of the back panels without protrusions faces the interior of the cabinet.



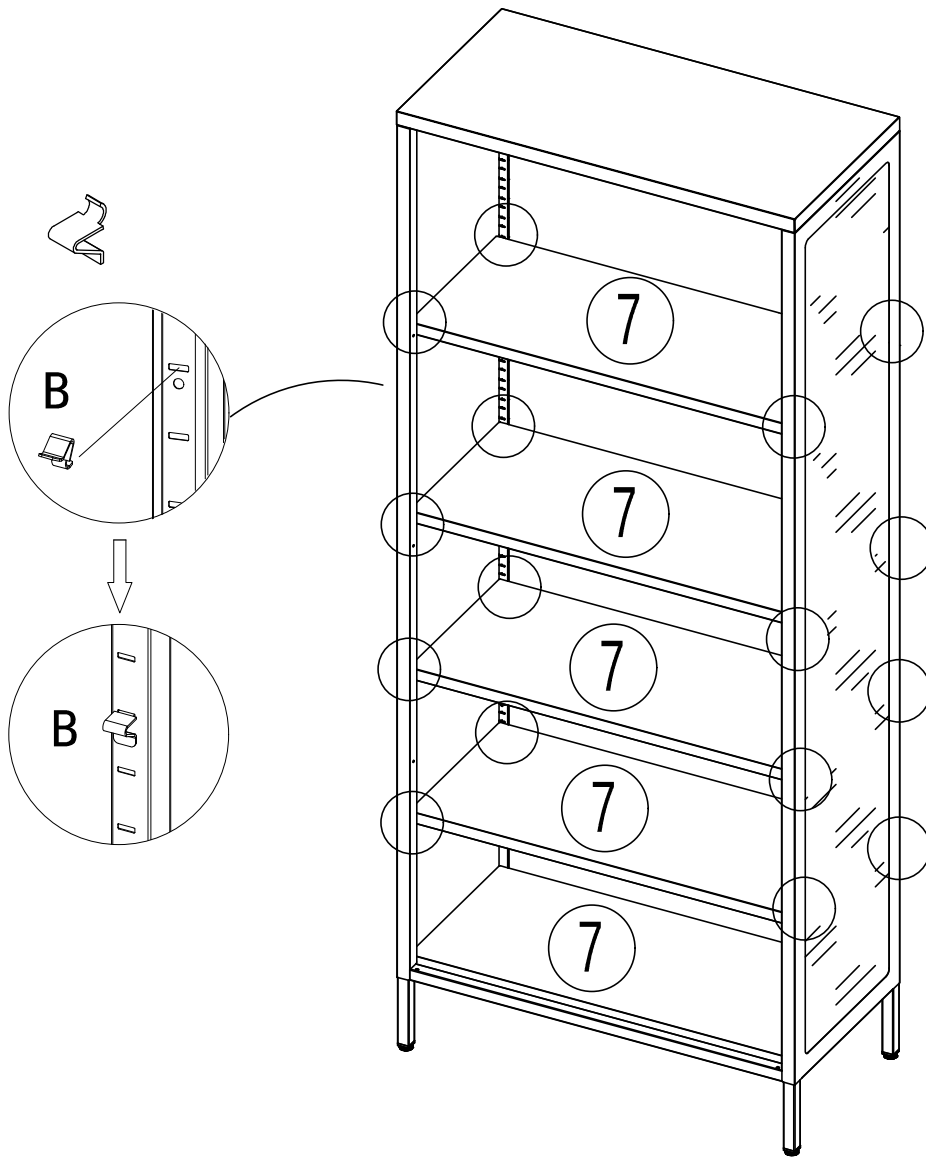
6

Put in the shelf ⑦



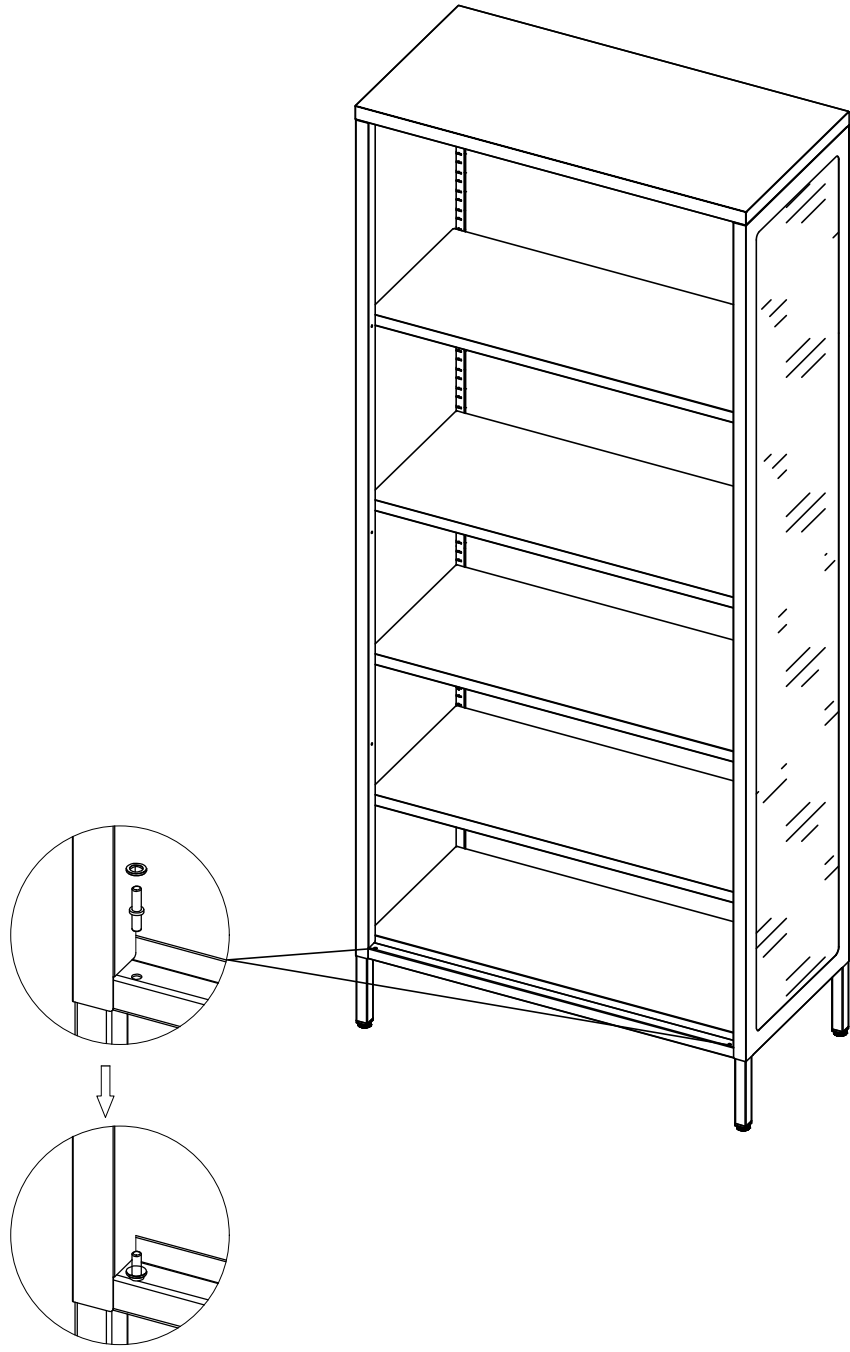
7

Install the holders and place the shelves above the holders



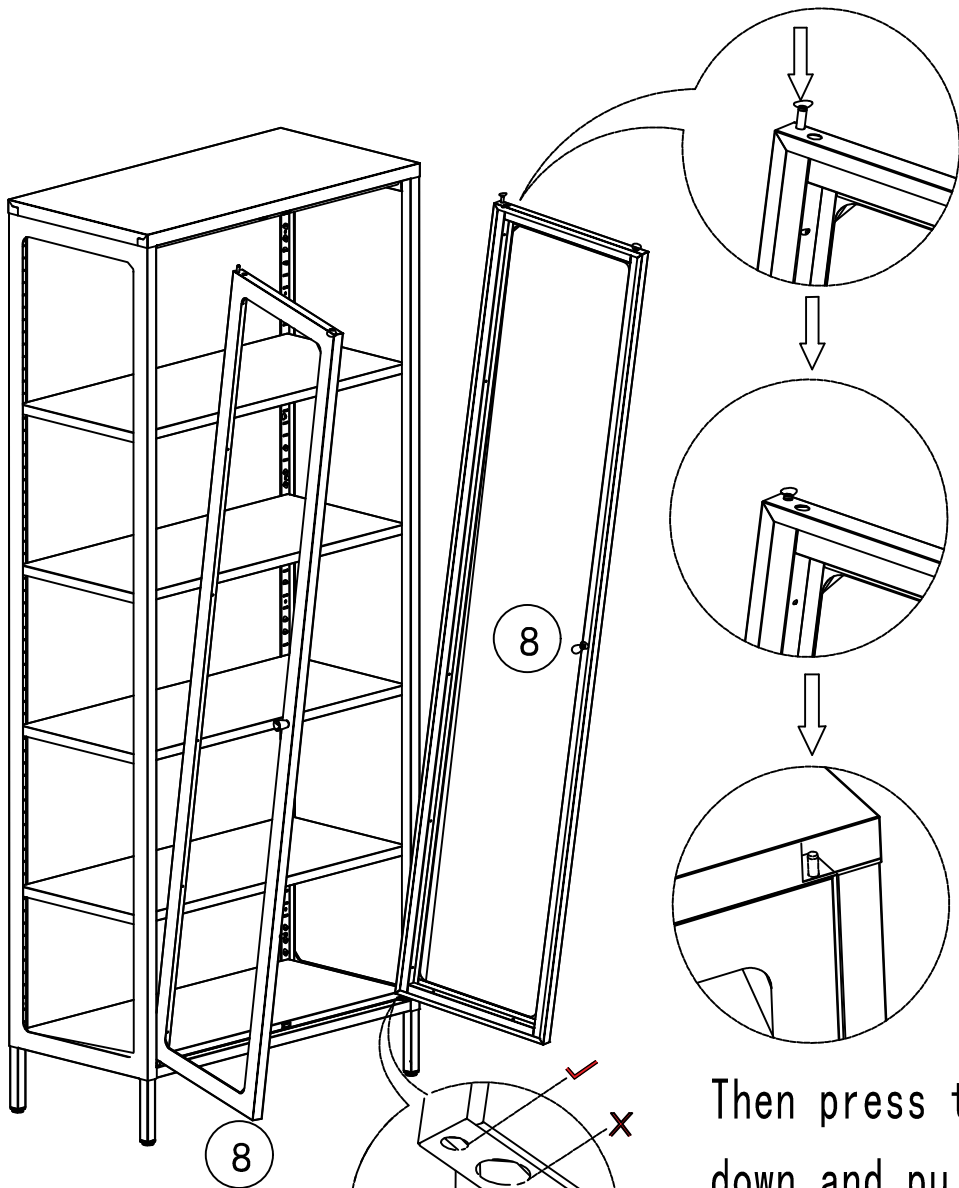
8

Install the bolts and plastics rings;



9

Install the glass doors

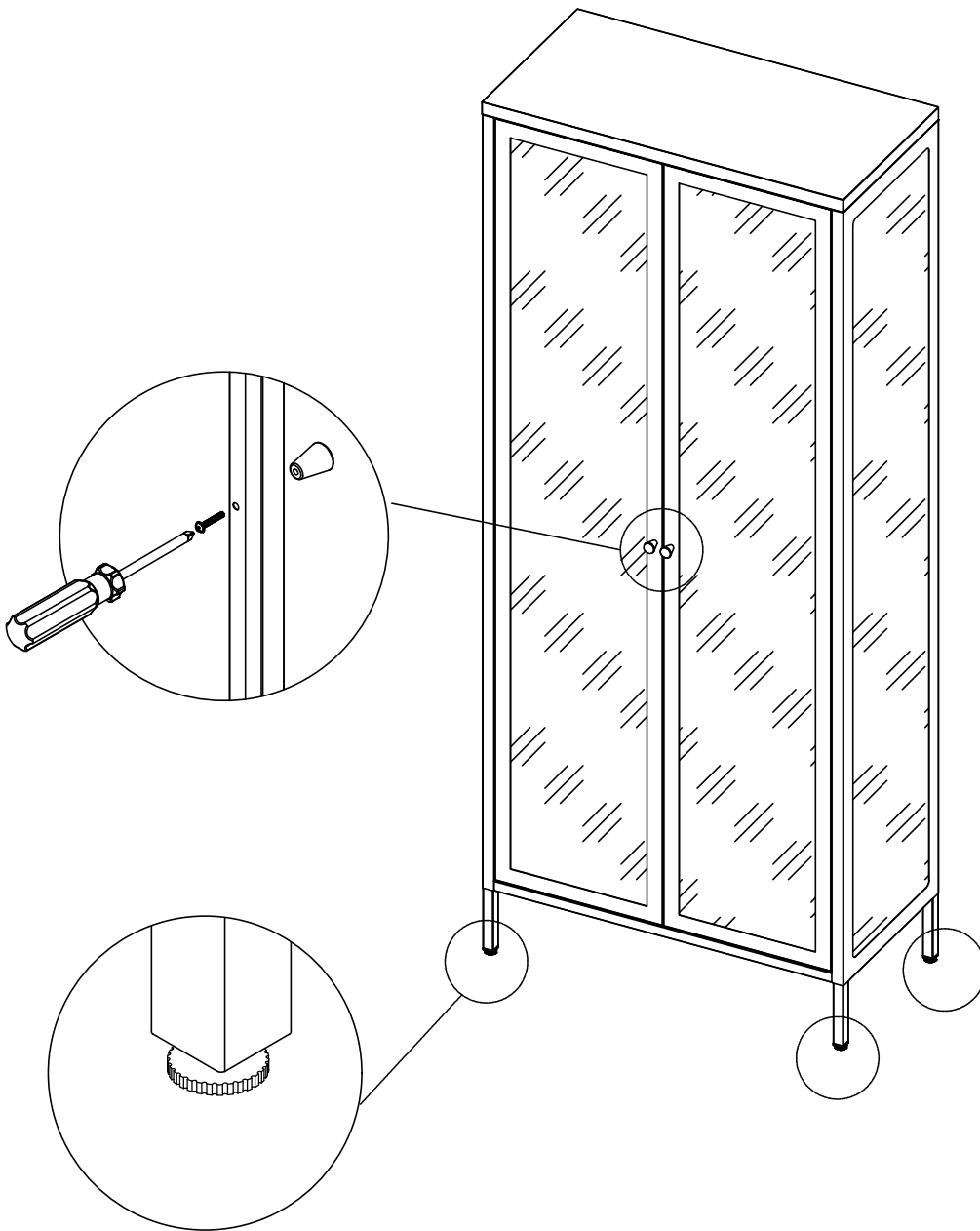


First, let the bolt into the small hole of glass door

Then press the bolt down and pull glass door into cabinet

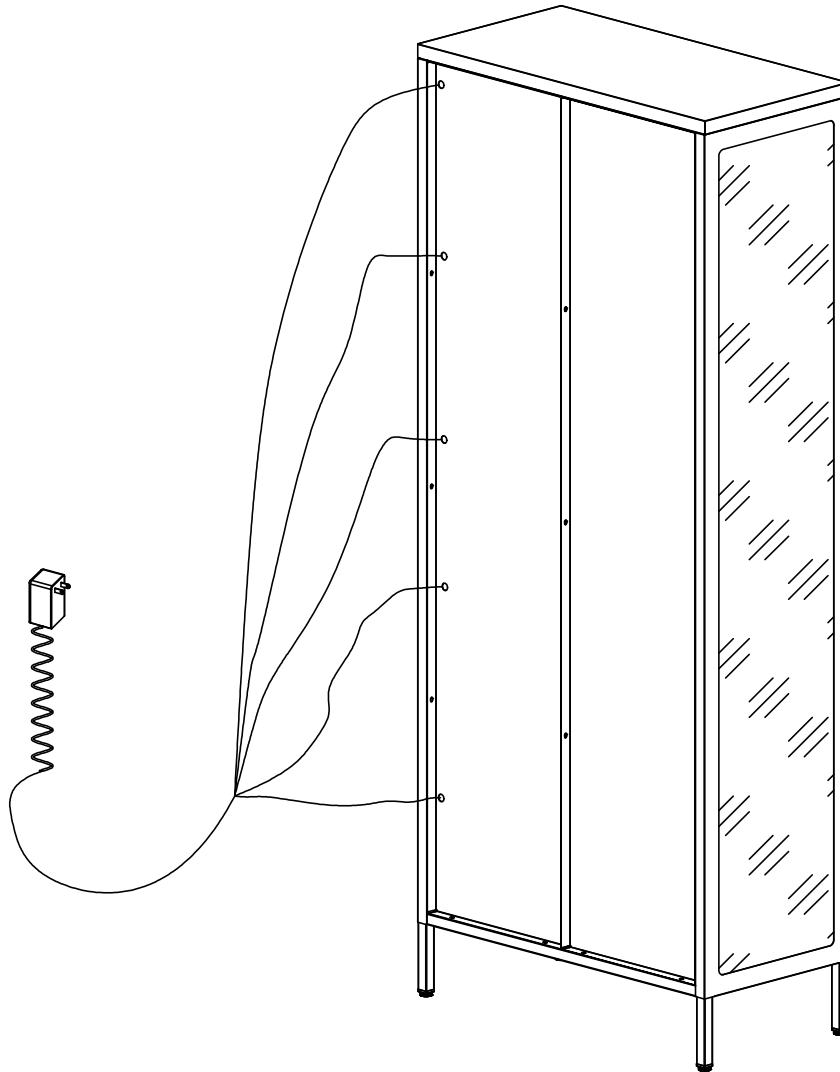
10

Install the door handle;
If it appears that the doors are not in
line, adjust the adjustable feet;



11

Install the magnetic led strips ,attach each magnetic strip to the underside of each shelf, the stripe numbers from top to bottom are 1 to 6;



Controller

