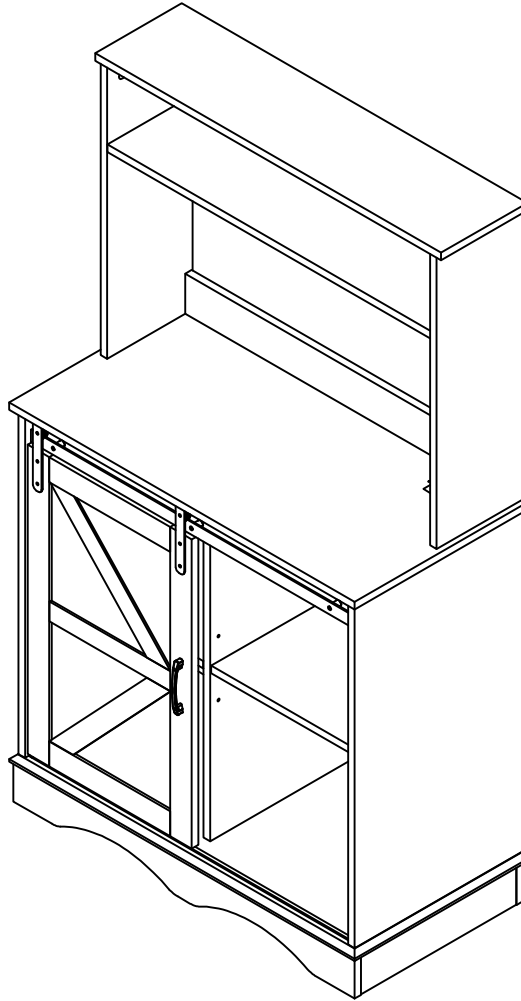


ASSEMBLY INSTRUCTIONS



⚠ SAFETY TIPS:

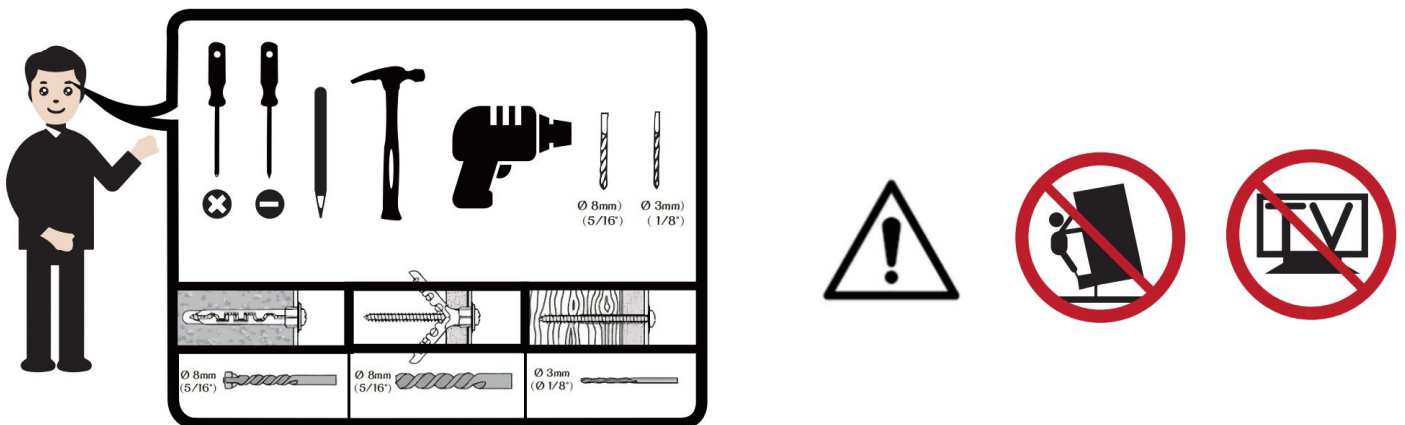
Static charge may cause dust on foam-clean with a dry or damp cloth. Small foam strands may be present-handle gently and dispose of properly. Do not burn or incinerate. Check local recycling guideline.

Have an assembly question or need a replacement part?
Please contact with our customer service.

Warnings

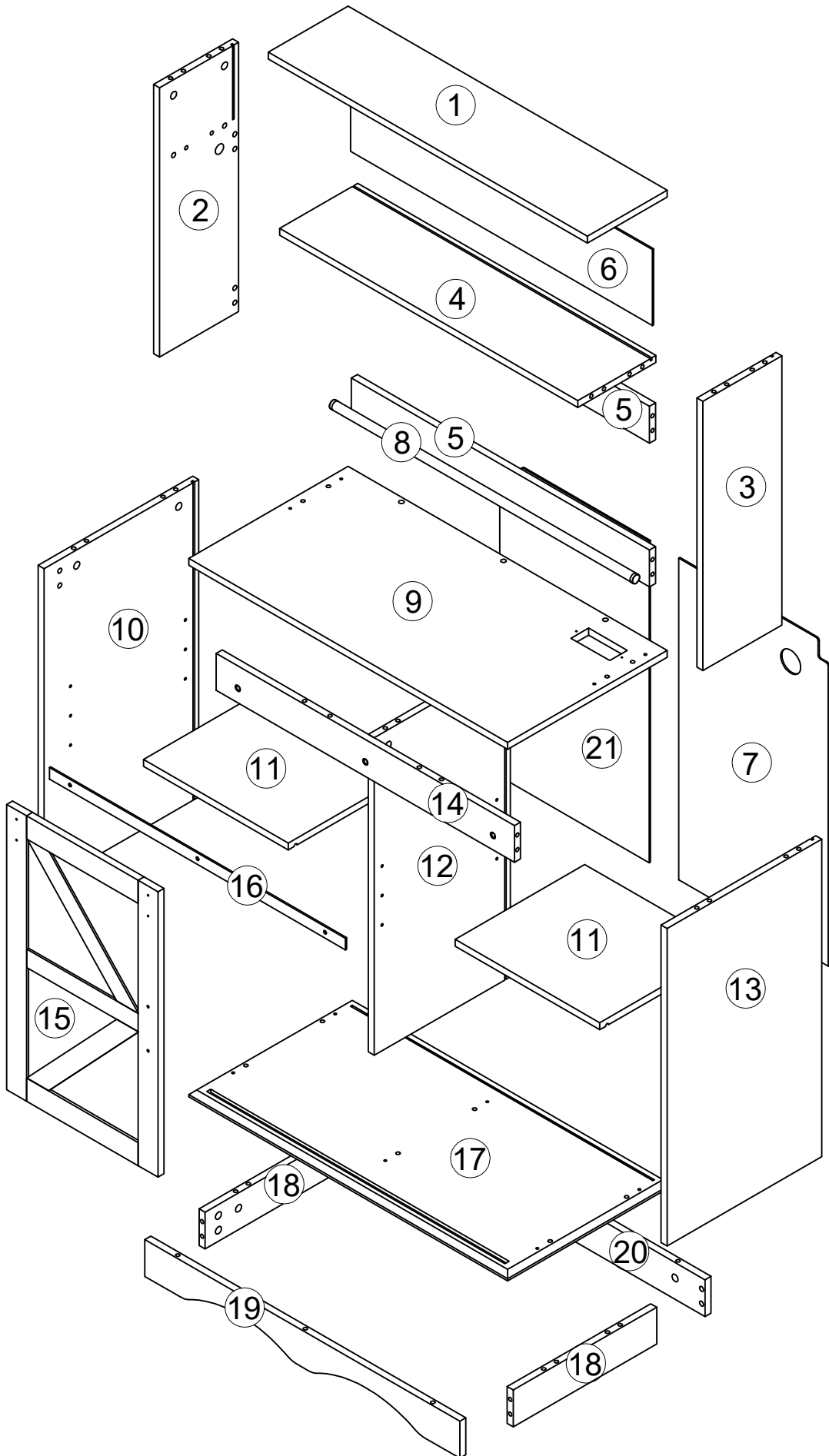
Important reminder:

- ⚠ Please sort and check all accessories before assembly.
- ⚠ Place the product on an empty cardboard box or on carpet to prevent scratches.
- ⚠ Please use proper tools for assembly. Using an electric screwdriver can accelerate the assembly speed, but please do not overtighten the screws.
- ⚠ Please follow the assembly steps and do not skip any of them.
- ⚠ If possible, please find a partner to help you with assembly, which can accelerate assembly.
- ⚠ Keep all small parts of this product away from children. They may cause serious injury.
- ⚠ We hope you can retighten the screws 2 weeks after assembly, and check the tightening procedure of the screws every 3 months.
If you meet any difficulty, our friendly customer team are always ready to help you.

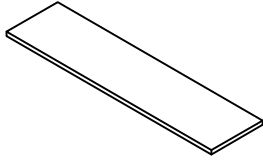


Warning: Overturning the product can cause serious crushing injuries. We have a wall connection device attached, please use it to hold the furniture following assembly instructions. Do not change the structure of this product in any way. Our products have been tested and meet any 1 sales specific security measures. We won't be responsible for any modifications, which may cause significant security risks.

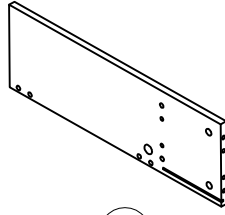
Explosion Diagram



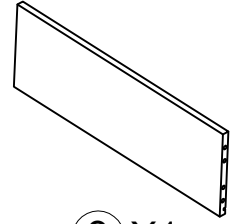
Parts List



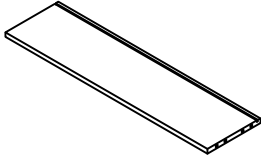
① X1



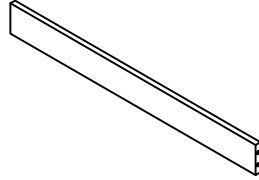
② X1



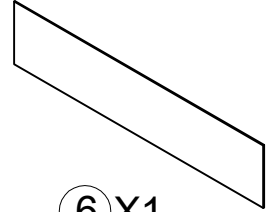
③ X1



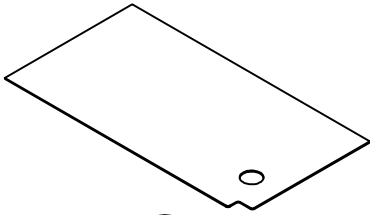
④ X1



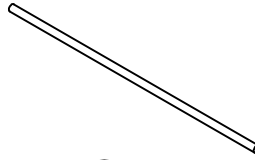
⑤ X2



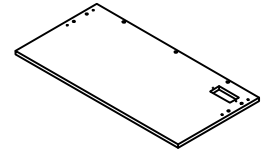
⑥ X1



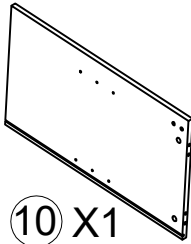
⑦ X1



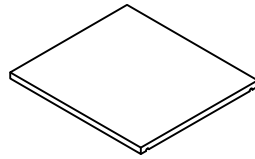
⑧ X1



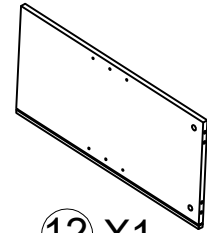
⑨ X1



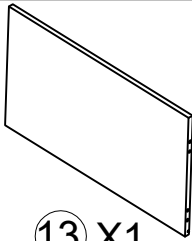
⑩ X1



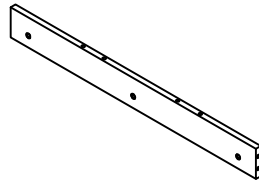
⑪ X2



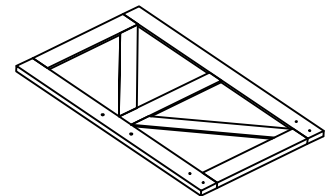
⑫ X1



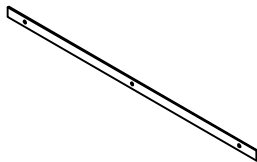
⑬ X1



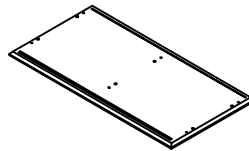
⑭ X1



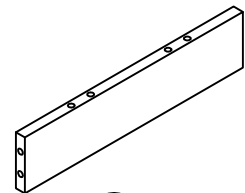
⑮ X1



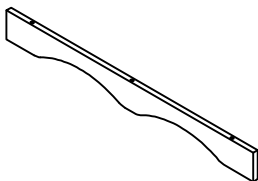
⑯ X1



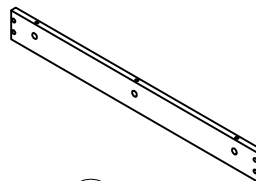
⑰ X1



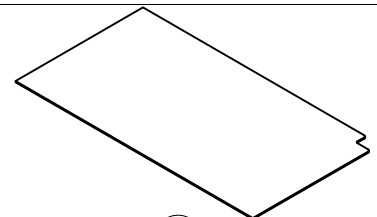
⑱ X2



⑲ X1

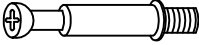





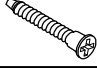















⑳ X1



㉑ X1



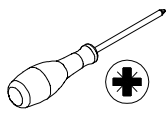
Hardware List

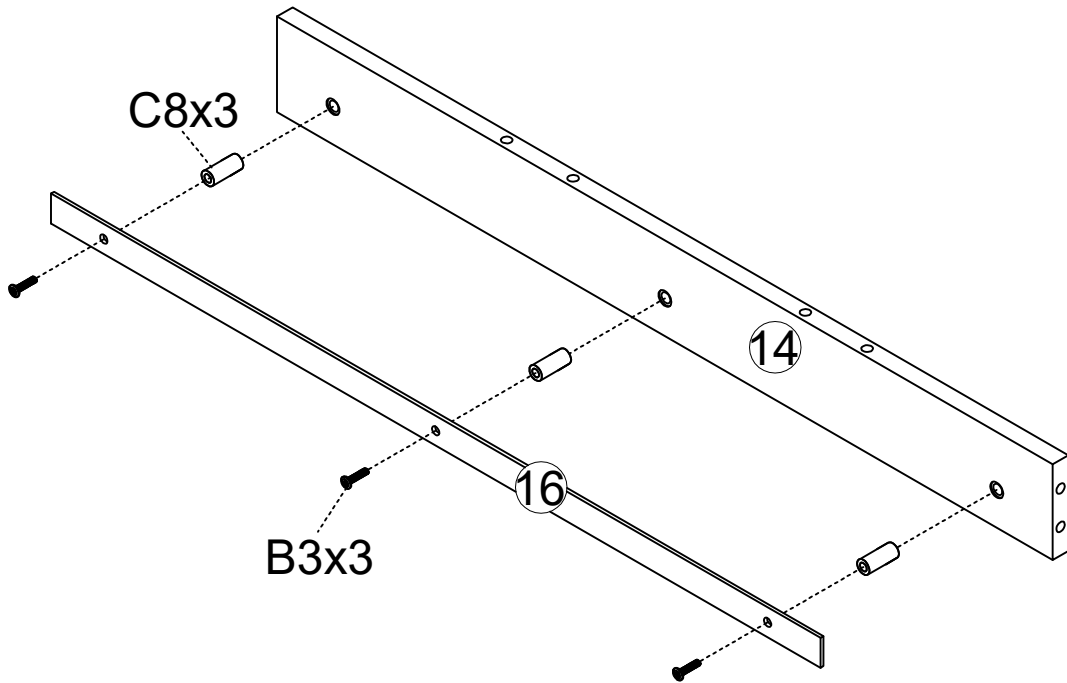
No.	Code	Diagram	Description	Quantity
1	A1		Ø6 x 40 mm	52
2	A2		Ø15 x 9.5 mm	52
3	B1		M4.0 x 18 mm	2
4	B2		Ø3.5 x 14 mm	2
5	B3		M6.0 x 30 mm	3
6	B4		M4.0 x 14 mm	4
7	B5		M5.0 x 40 mm	10
8	C1		Ø8 x 40 mm	30
9	C2			16
10	C3			8
11	C4			2
12	C5			2
13	C6			52
14	C7			1
15	C8			3
16	C9			2
17	C10			8
18	C11			2
19	C12			6
20	PC			1

THE SPARE BAG INCLUDED EXTRA HARDWARE FOR DAMAGED OR MISSING SMALL HARDWARE WHILE YOU ARE ASSEMBLING

Assemble

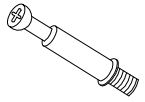

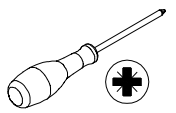
Step 1

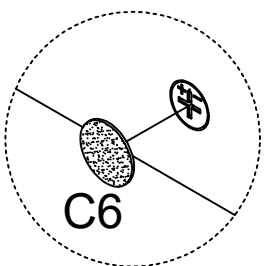
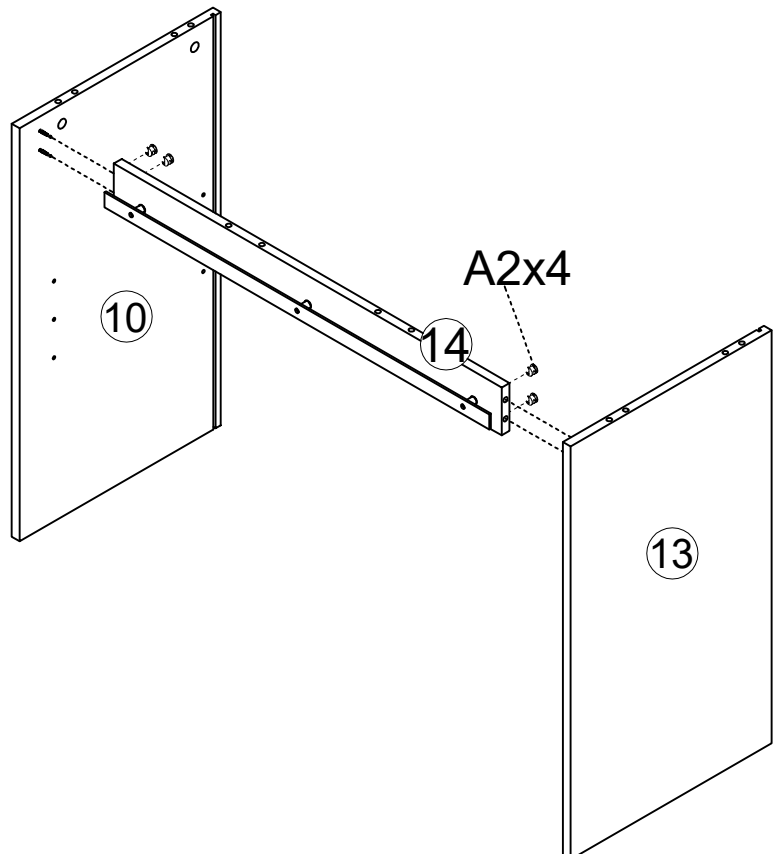
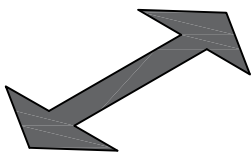
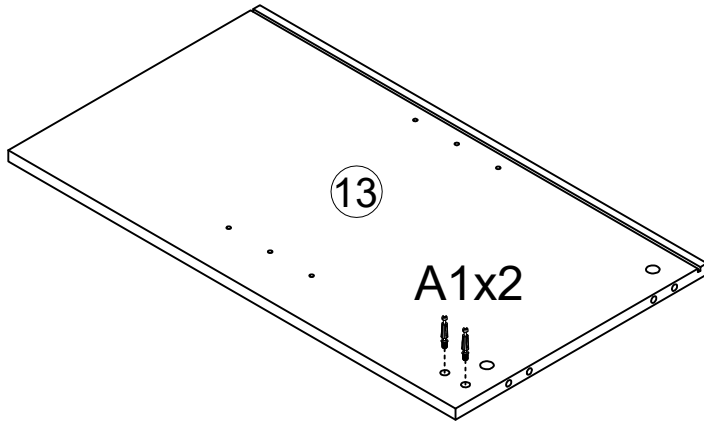
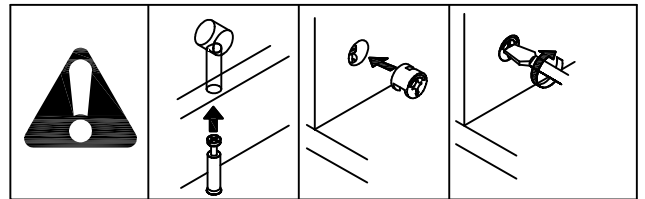
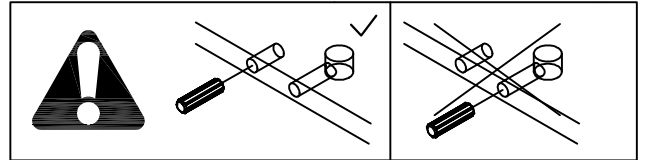
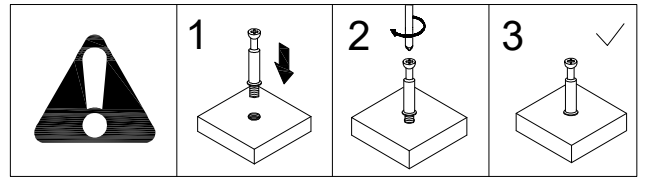
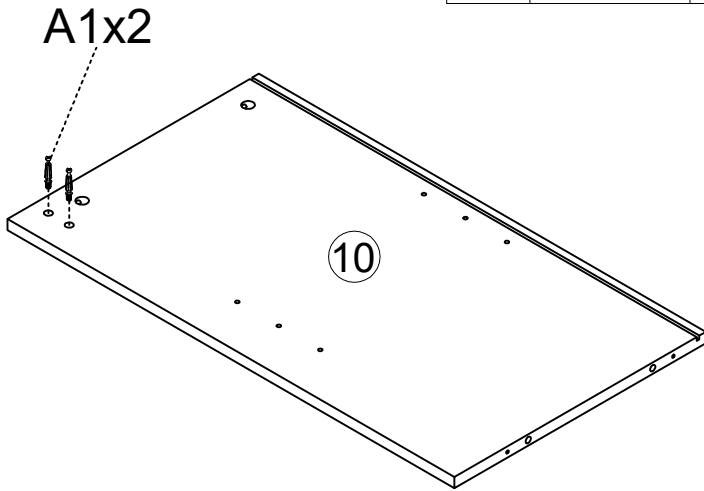
			
B3	3PCS	C8	3PCS



Assemble

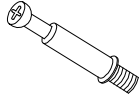


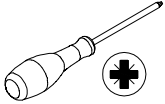
Step2

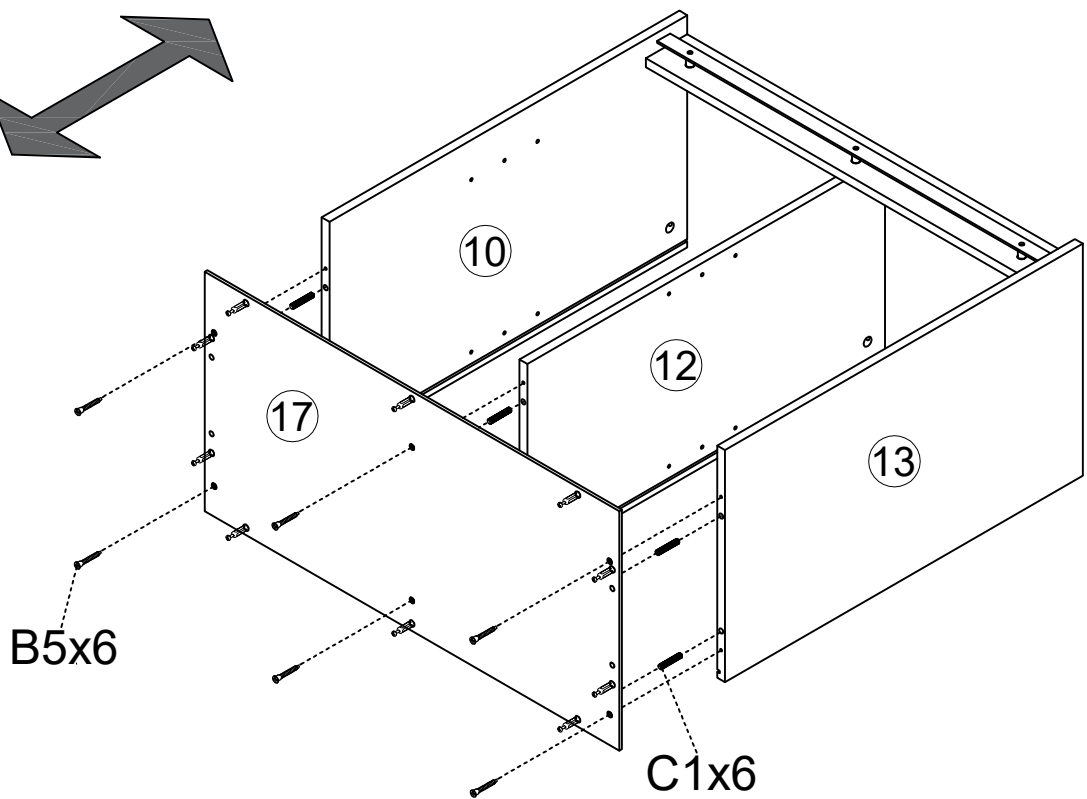
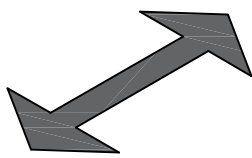
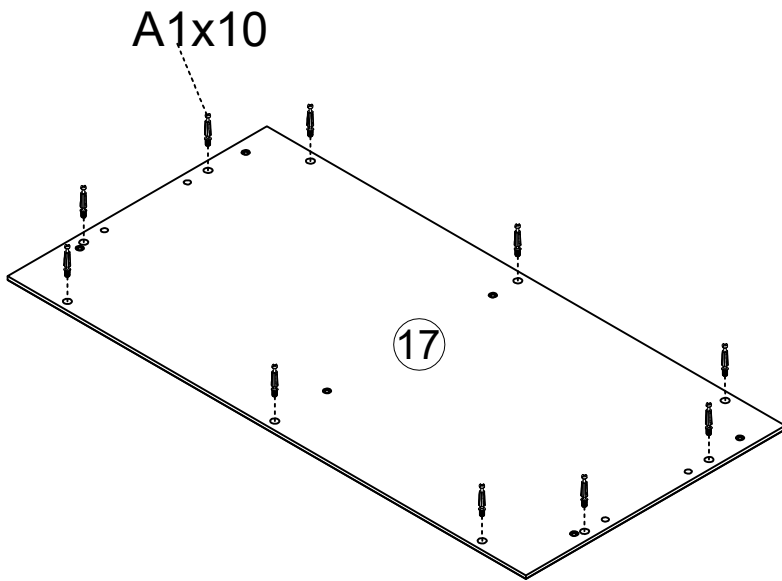
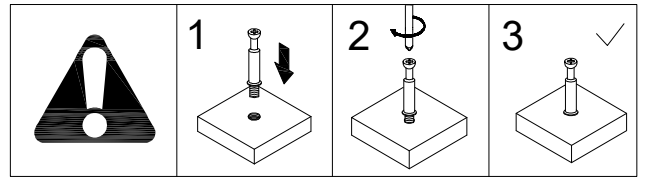
		
A1 4PCS	A2 4PCS	



Assemble

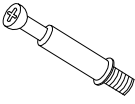


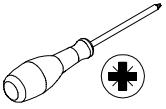
Step 3

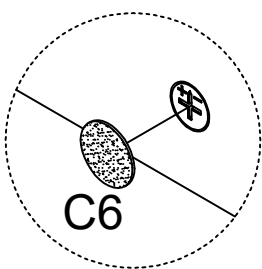
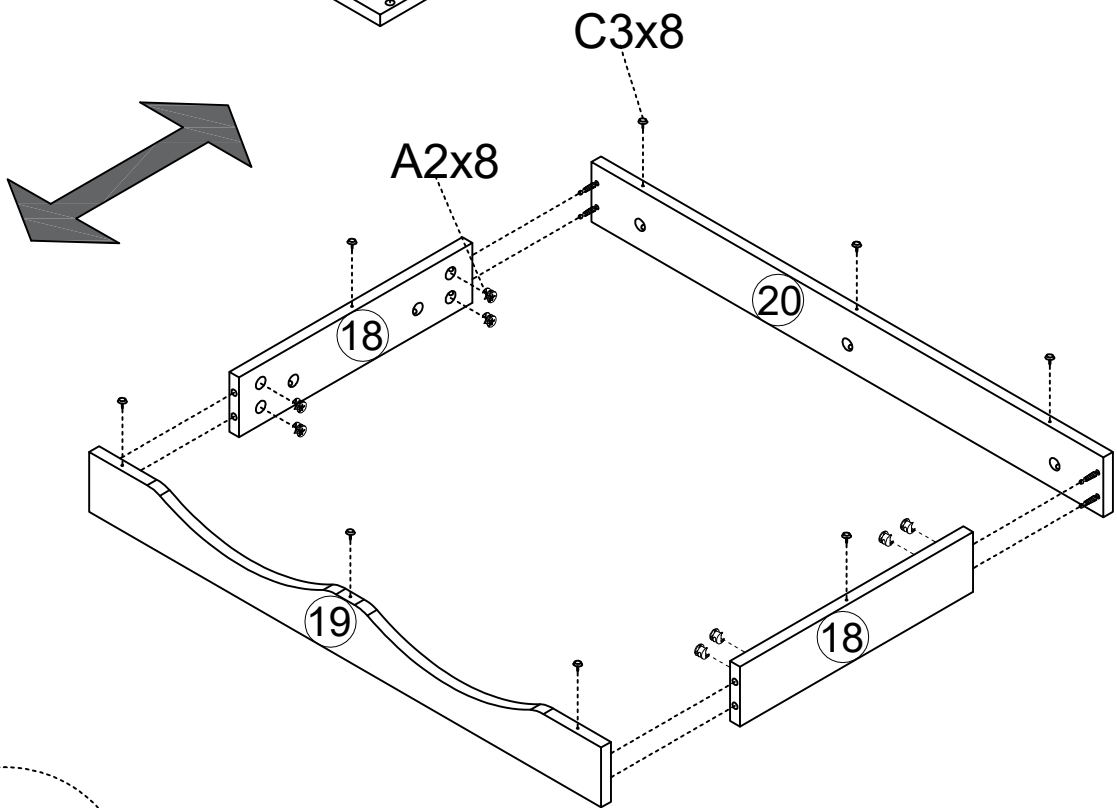
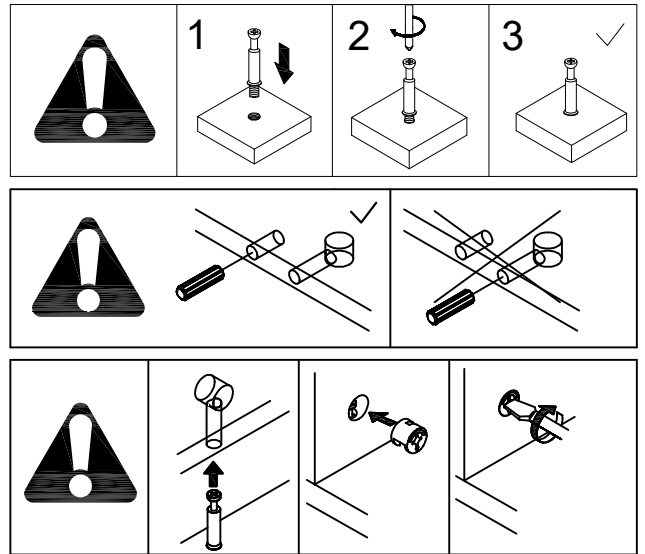
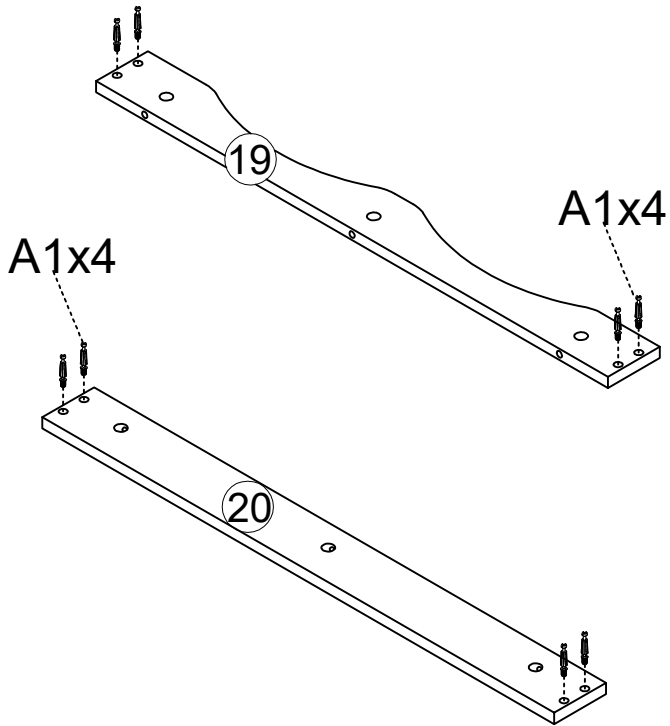
			
A1 10PCS	B5 6PCS	C1 6PCS	



Assemble



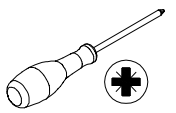
Step 4

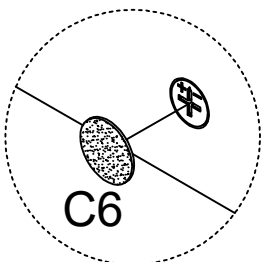
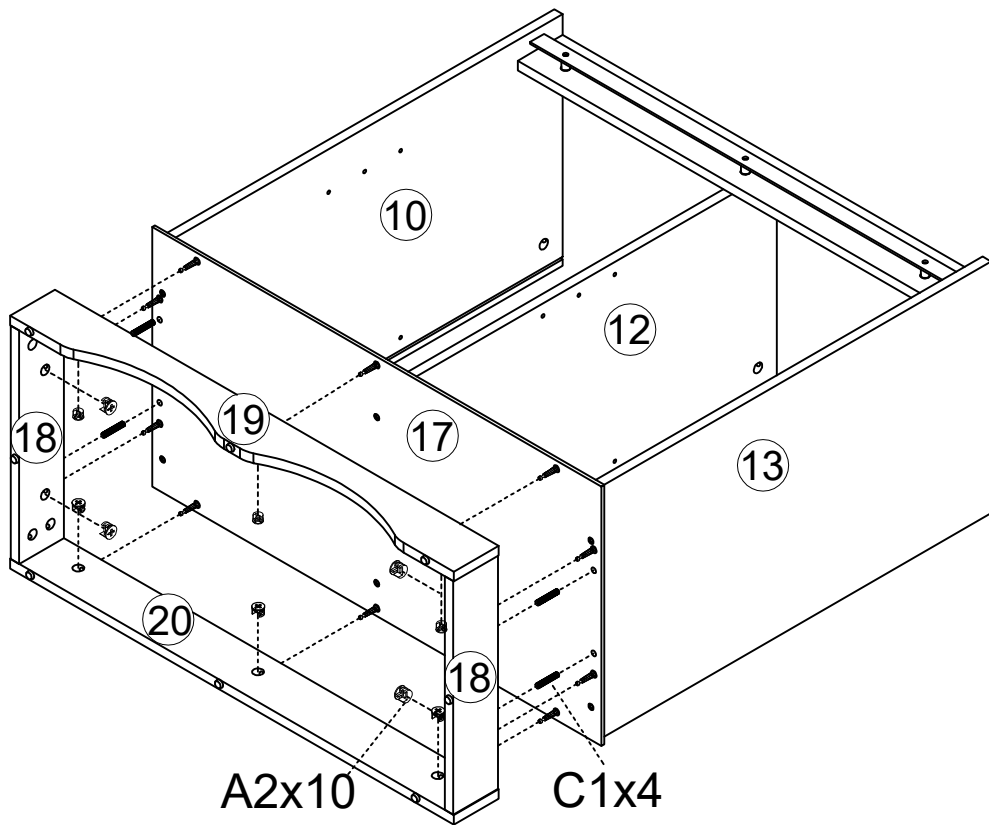
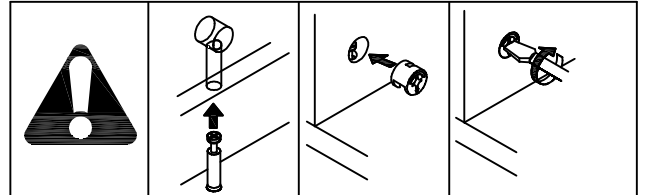
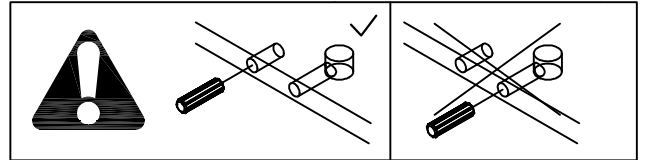
			
A1	8PCS	A2	8PCS
C3	8PCS		



Assemble

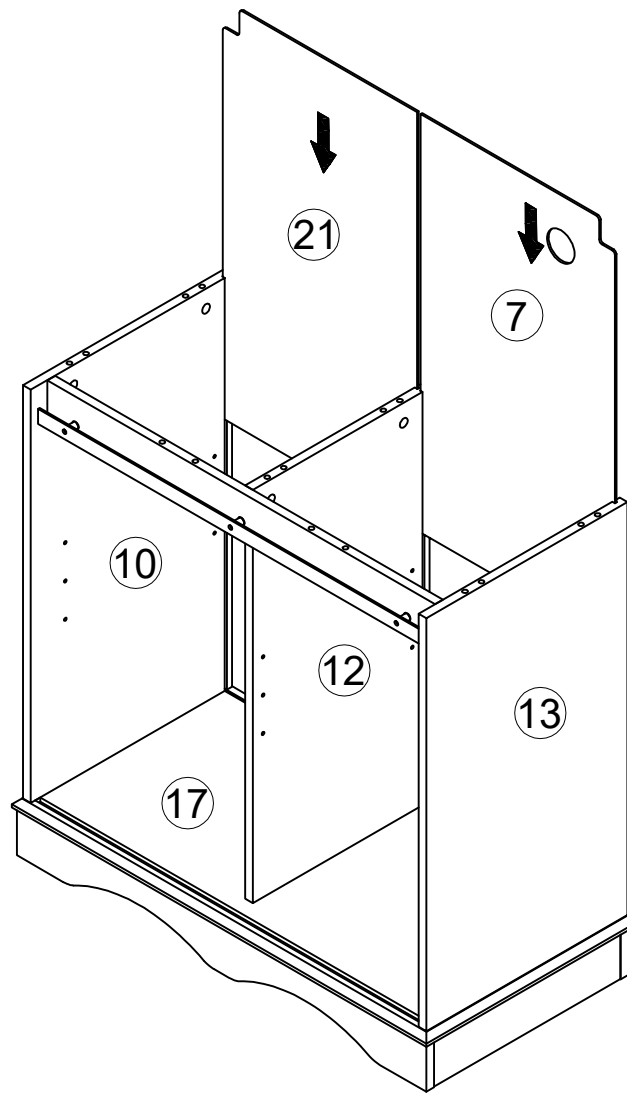
Step 5

			
A2	10PCS	C1	4PCS



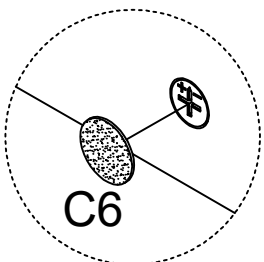
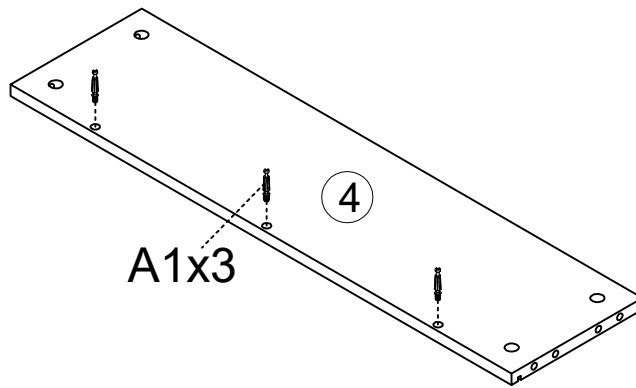
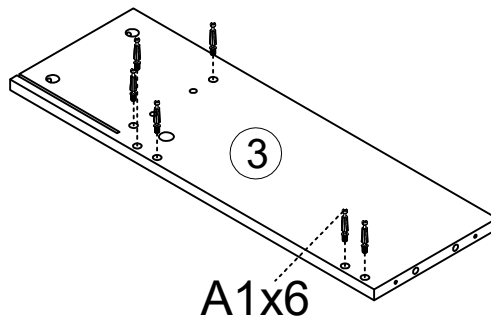
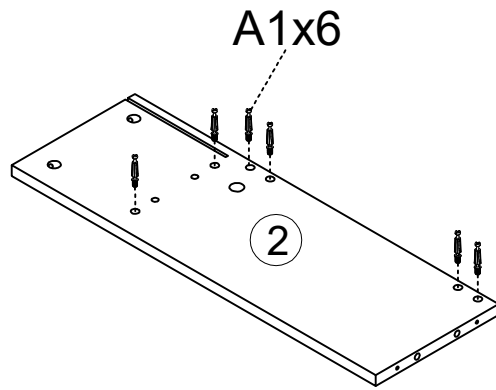
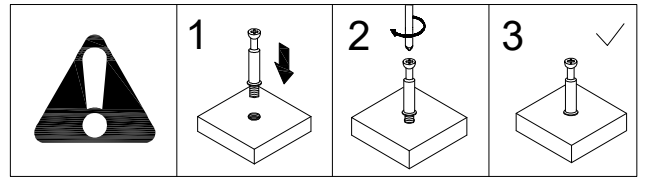
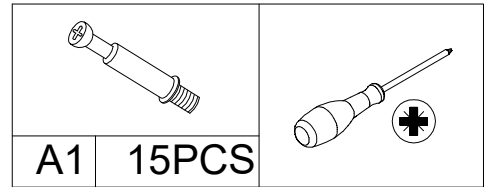
Assemble

Step 6





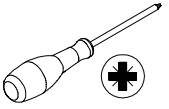
Assemble

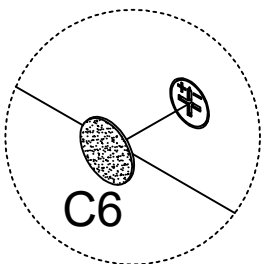
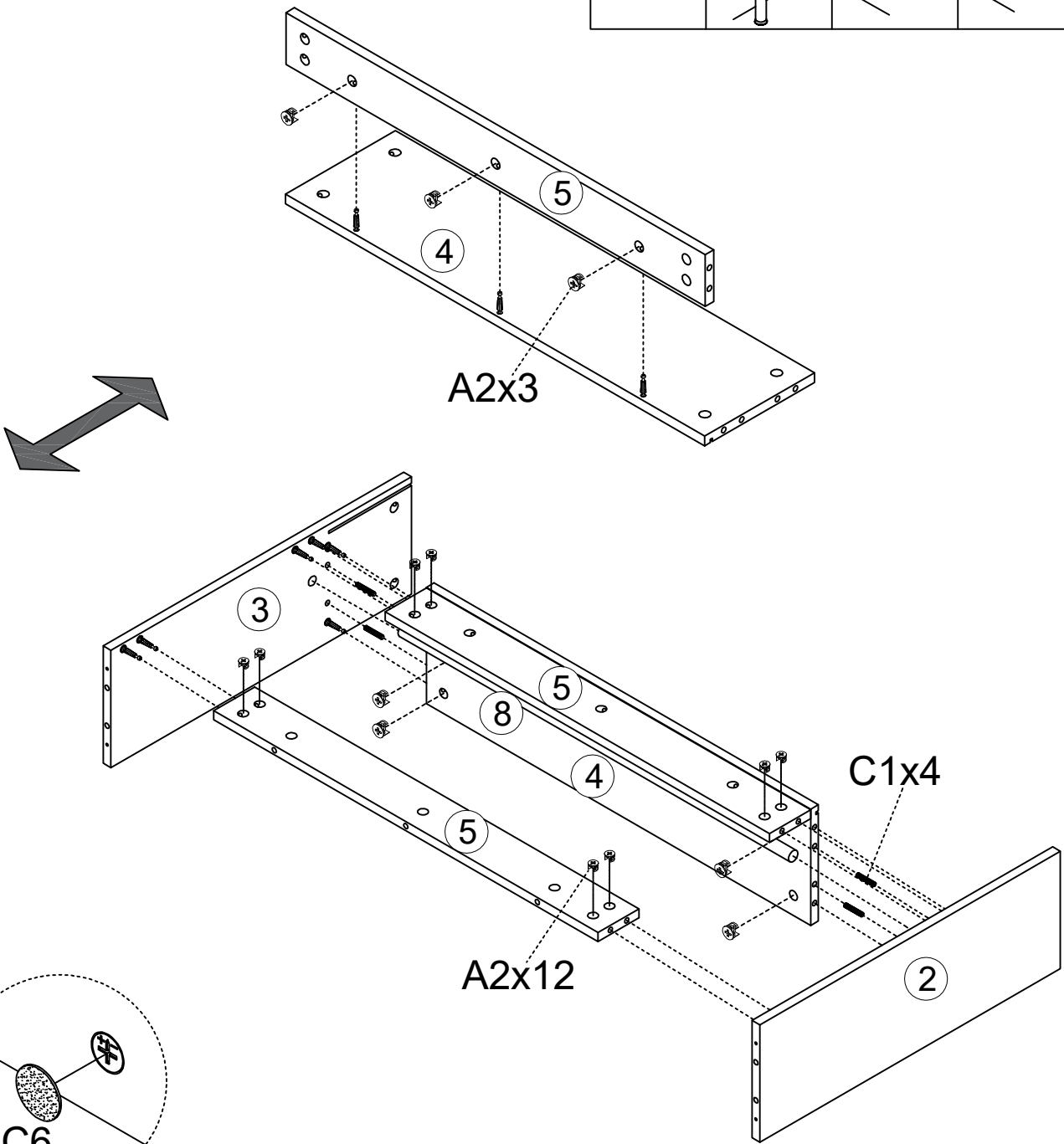
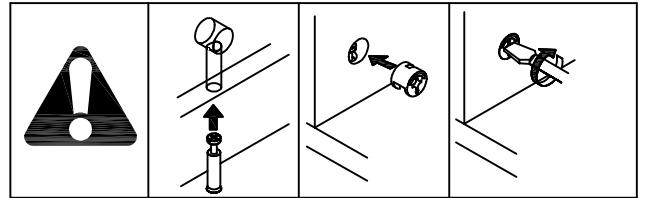
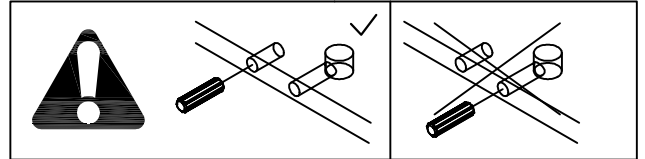
Step 7-1



Assemble

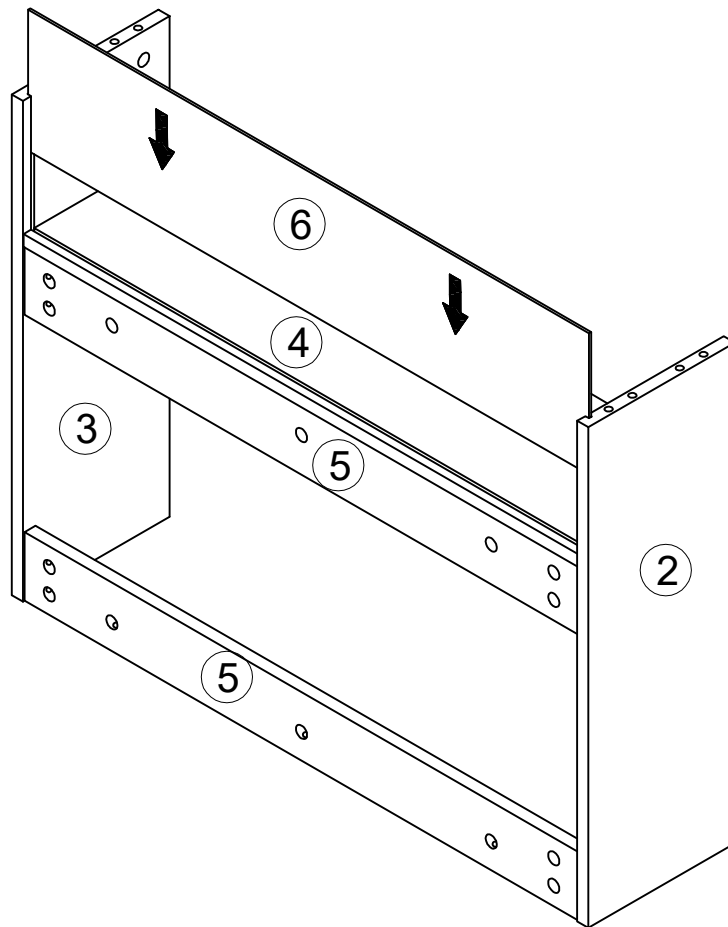
Step 7-2

			
A2	15PCS	C1	4PCS



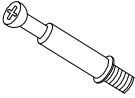


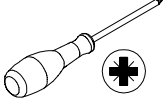
Assemble

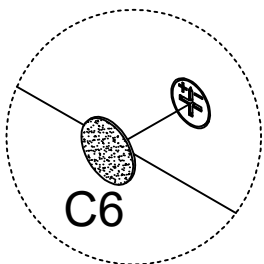
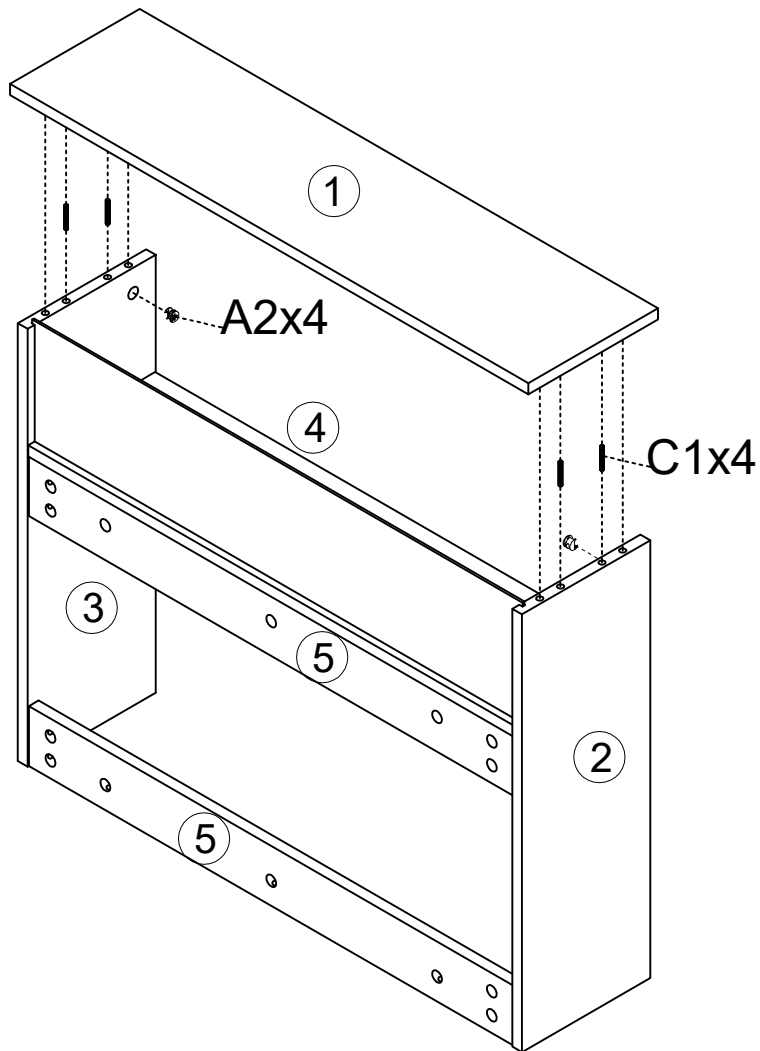
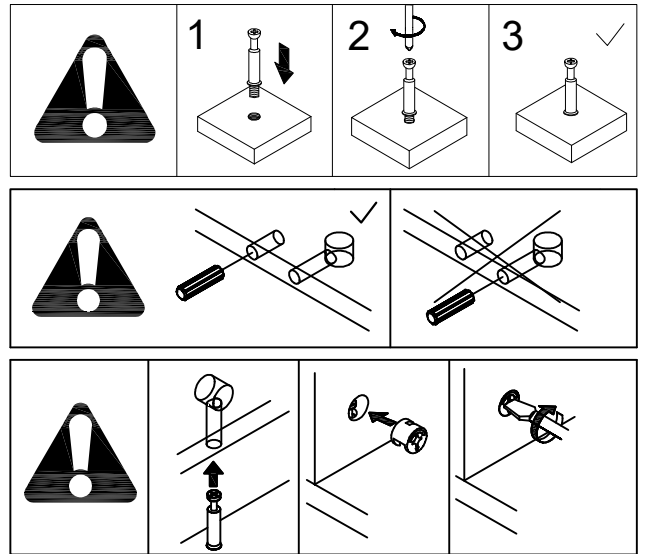
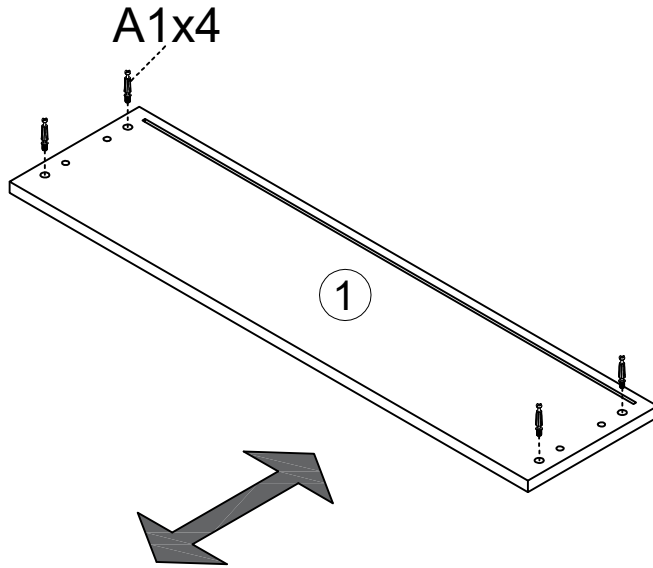
Step 8



Assemble

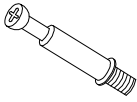

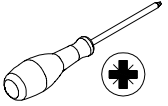
Step 9

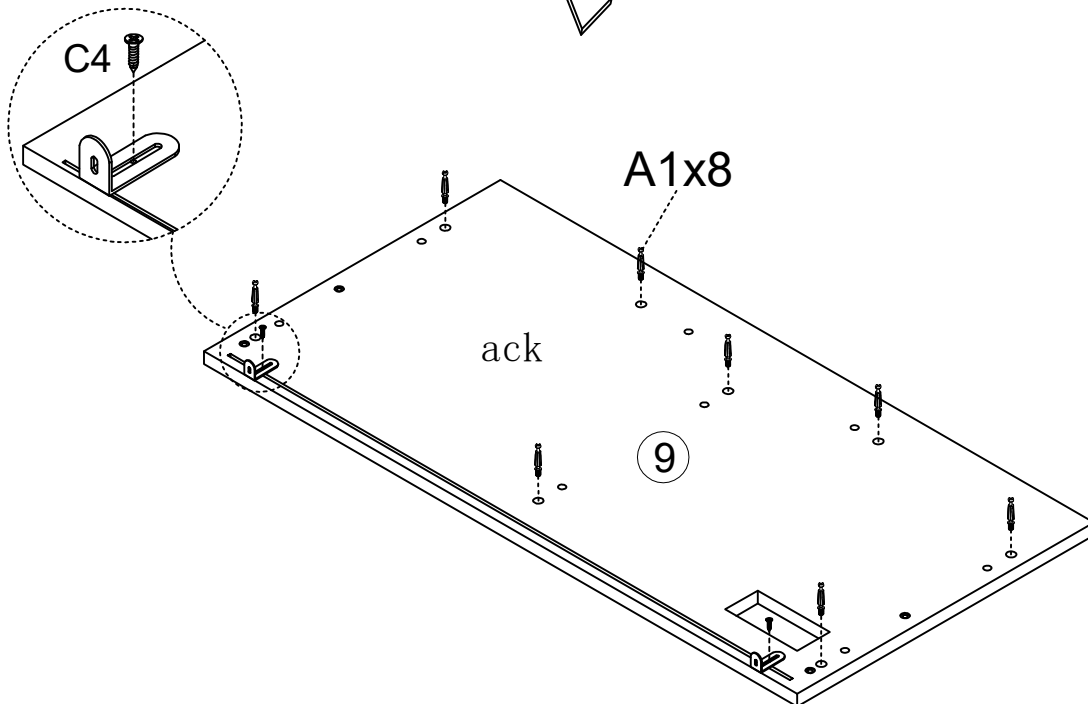
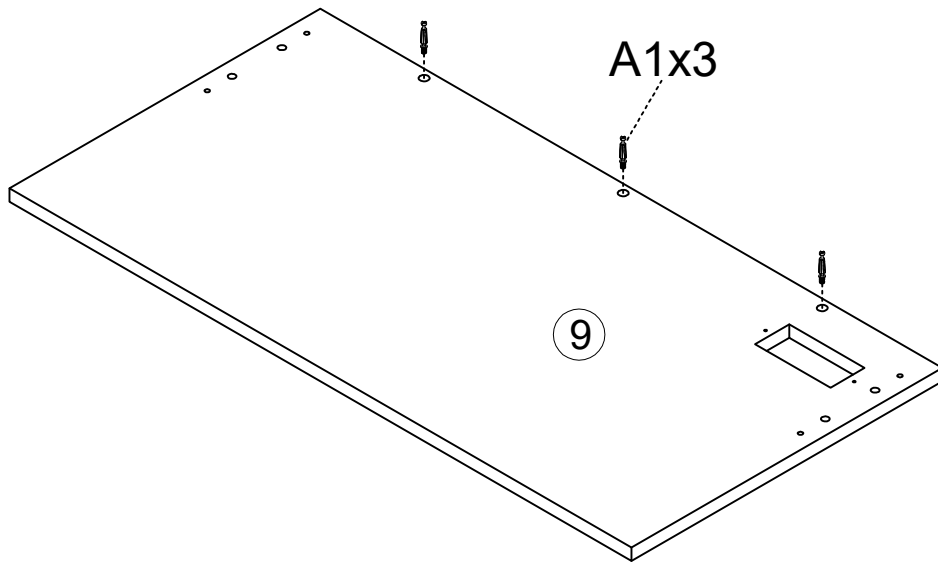
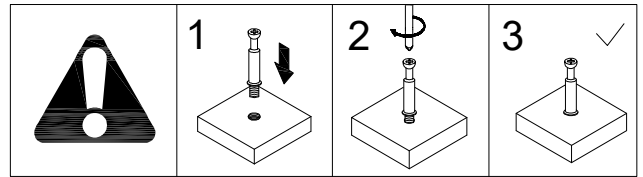
					
A1	4PCS	A2	4PCS	C1	4PCS



Assemble



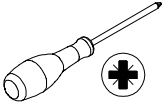
Step 10

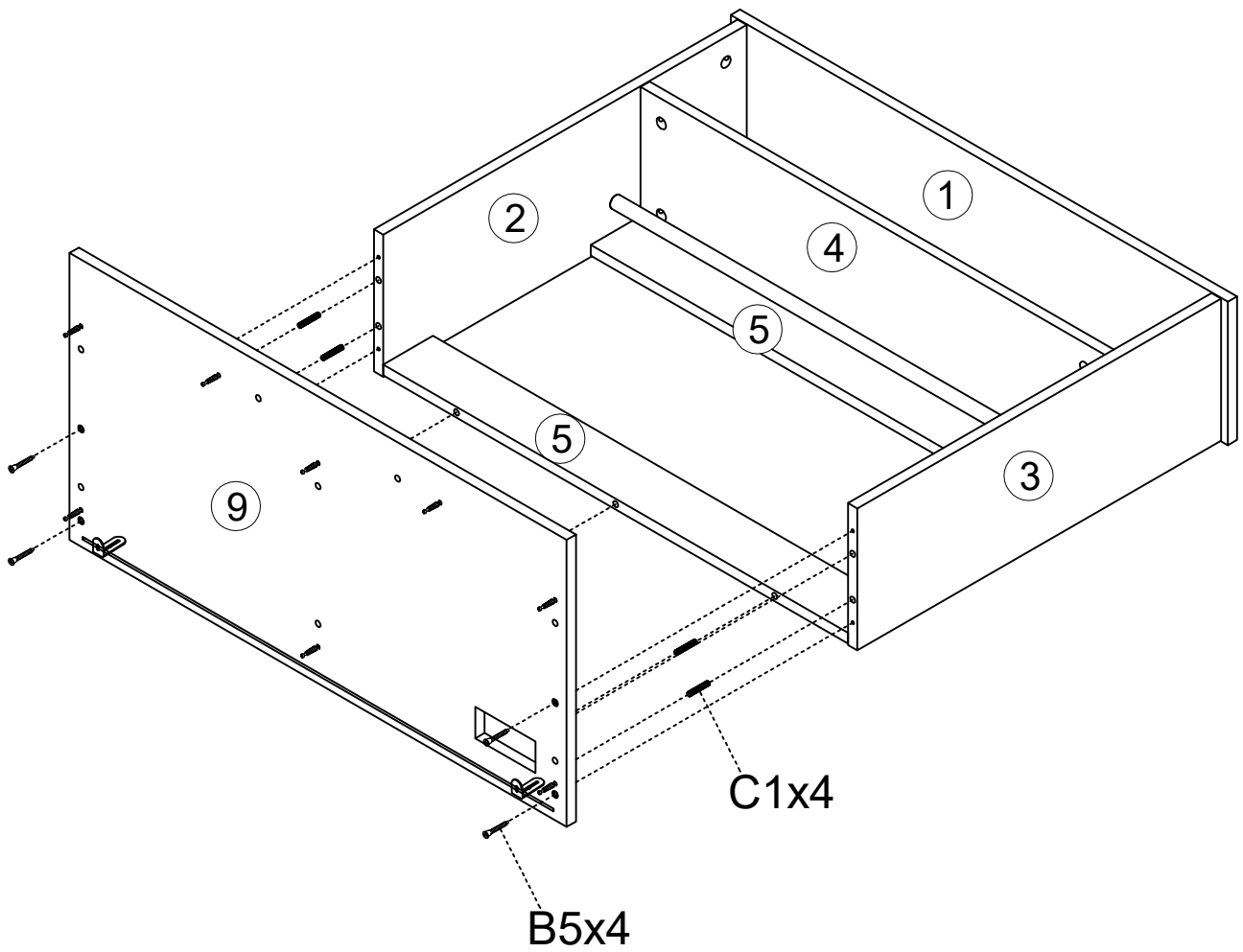
		
A1	11PCS	C4 2PCS



Assemble


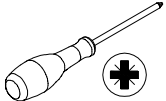

Step 11

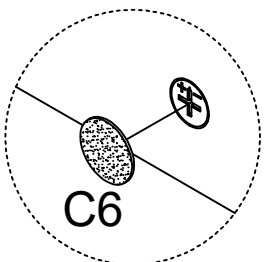
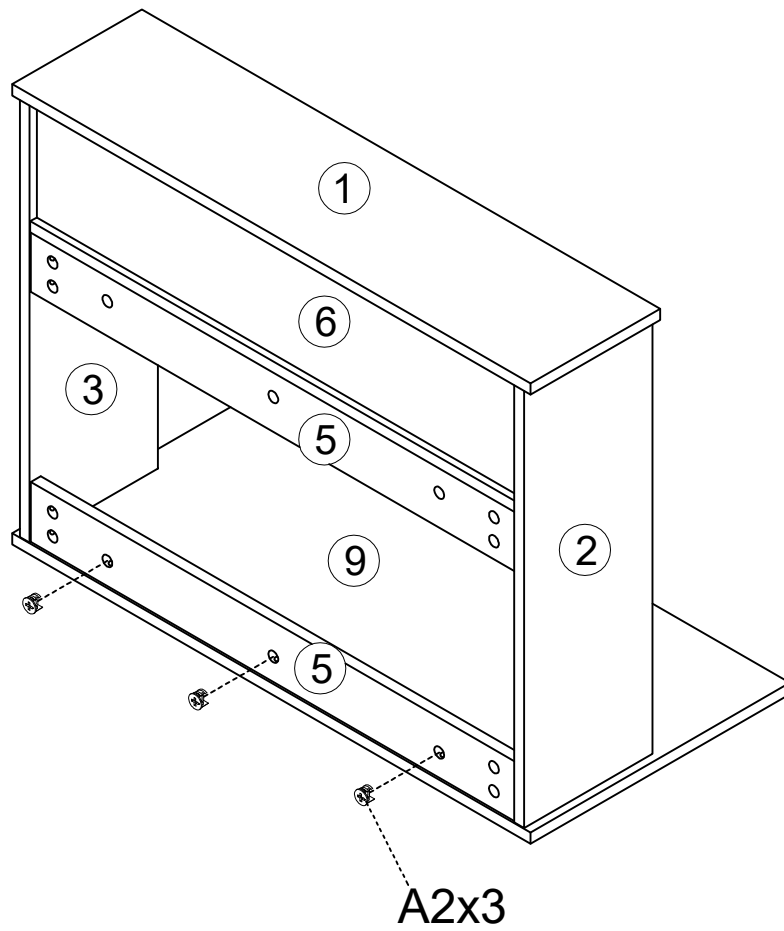
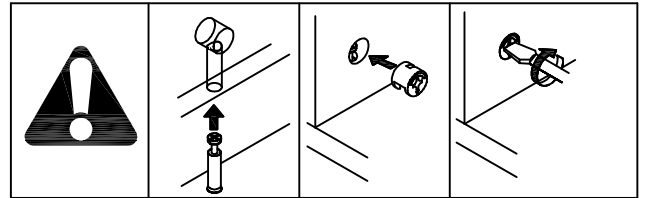
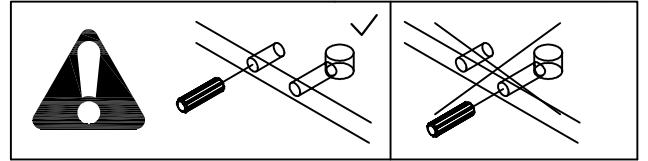
		
B5 4PCS	C1 4PCS	



Assemble



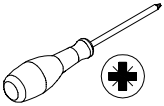
Step 12

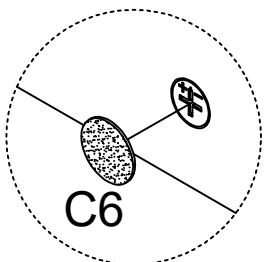
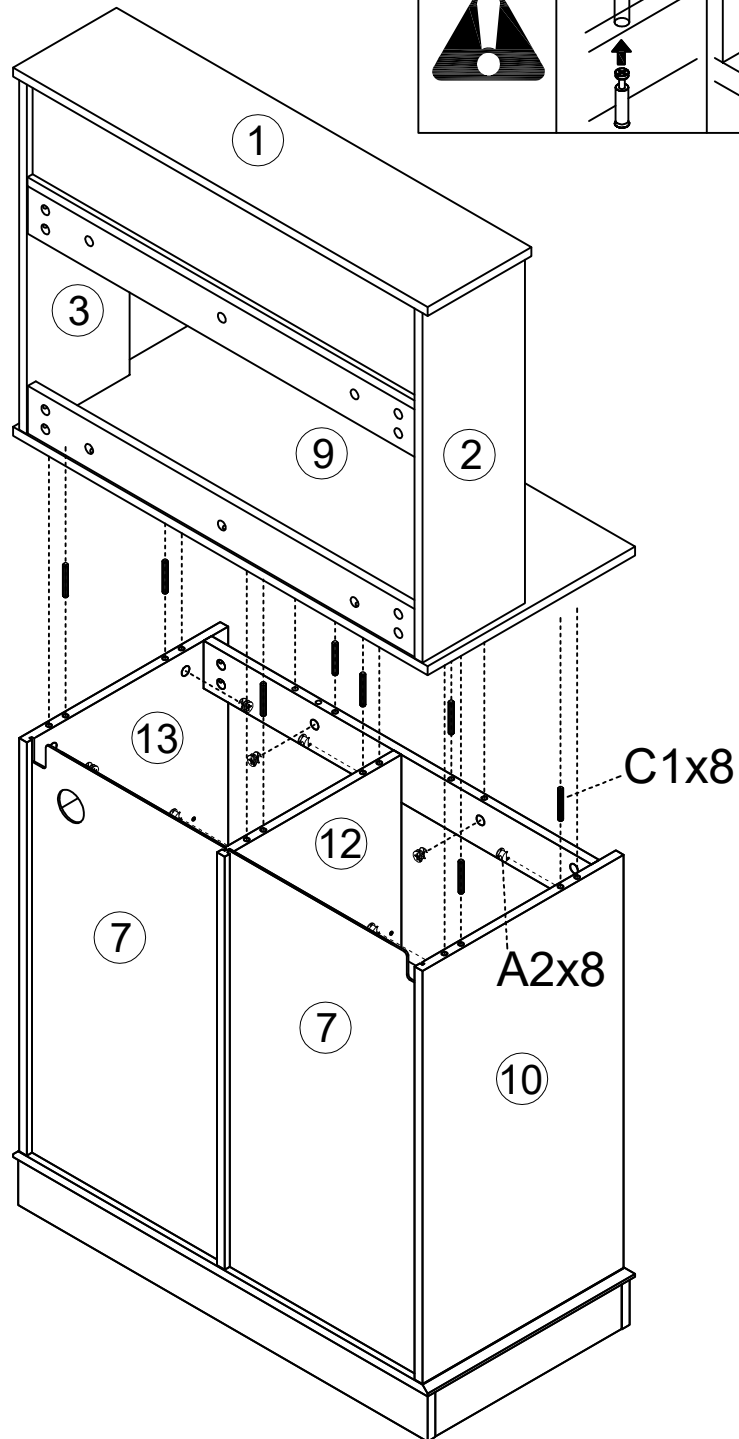
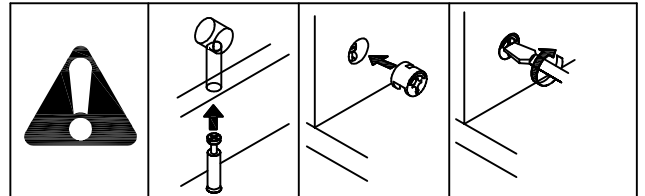
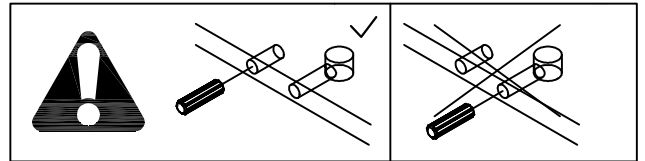
	
A2 3PCS	



Assemble

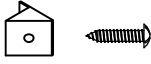
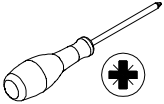
Step 13

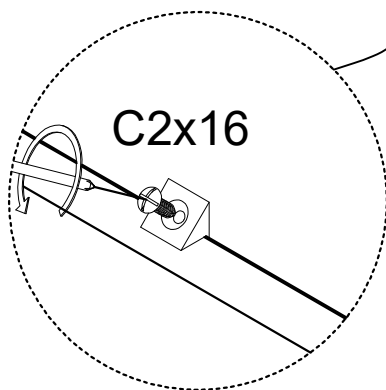
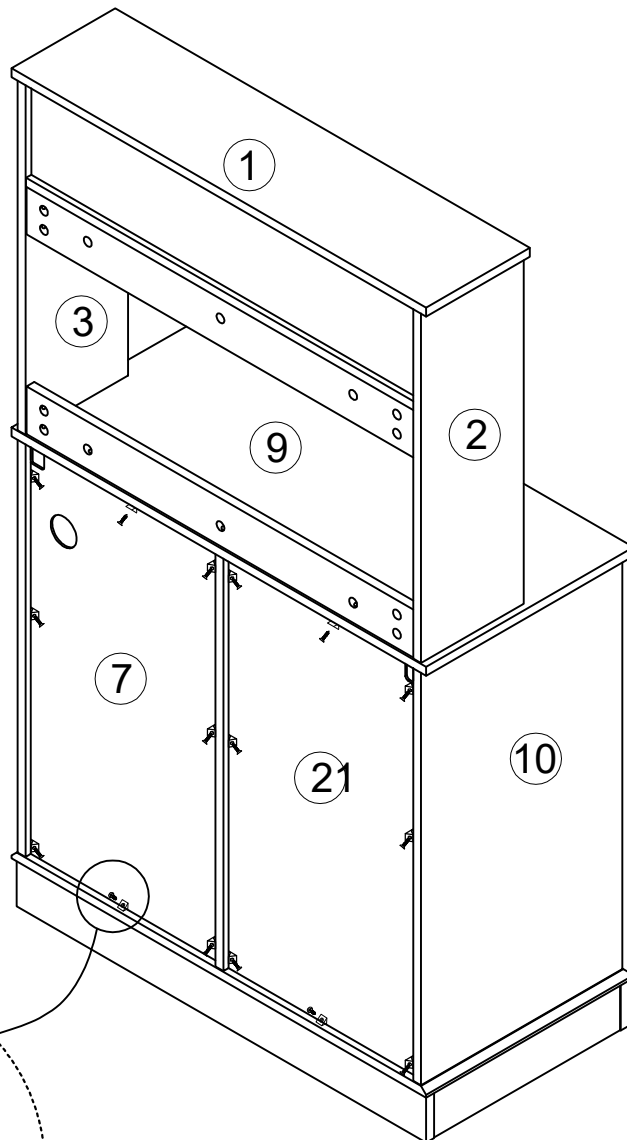
			
A2	8PCS	C1	8PCS



Assemble

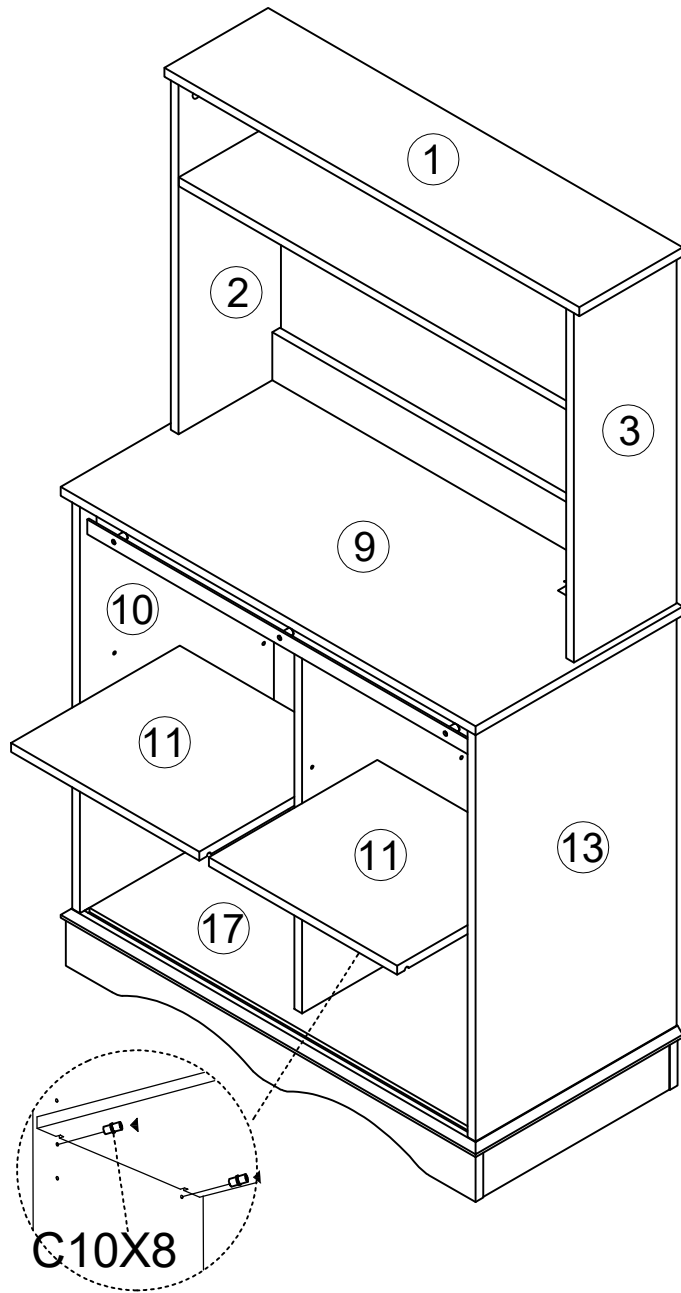
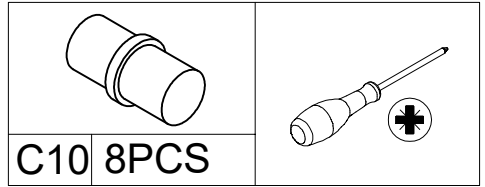
Step 14

	
C2	16PCS






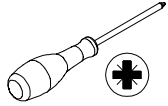

Assemble

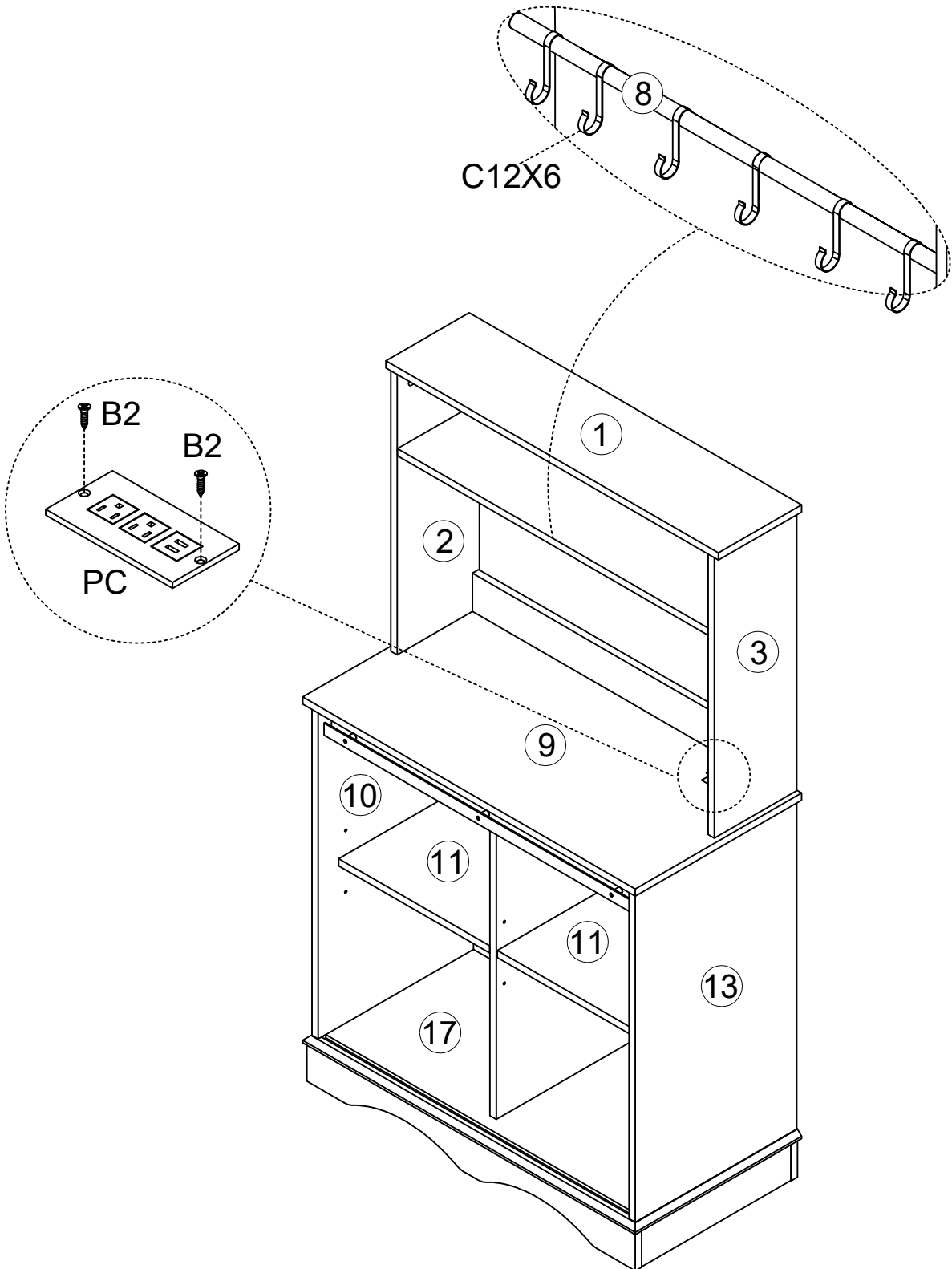
Step 15



Assemble


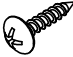


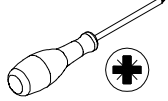
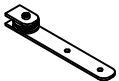
Step 16

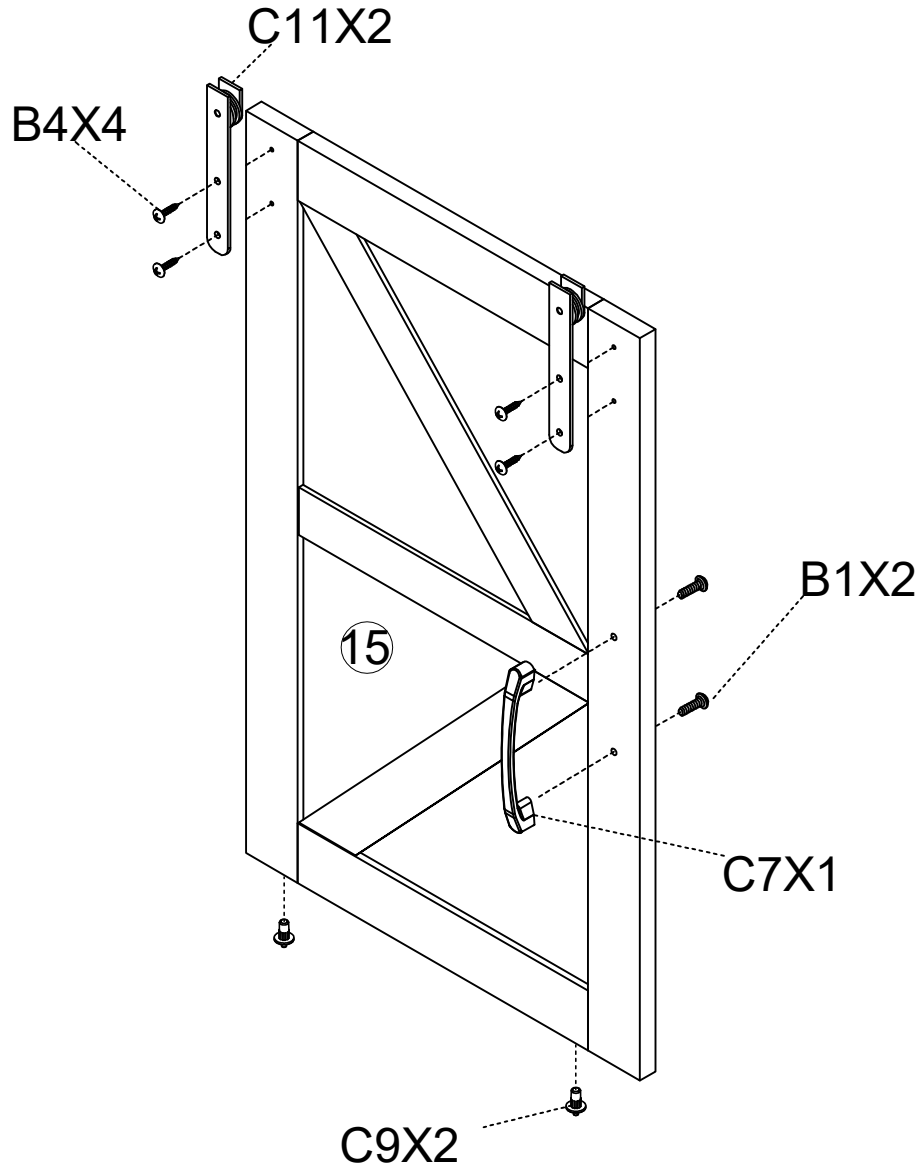
			
B2 2PCS	C12 6PCS	PC 1PC	



Assemble

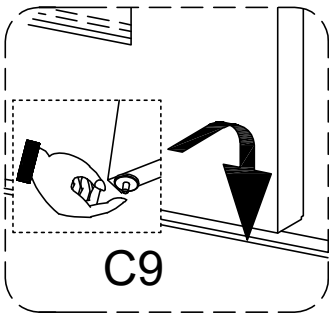
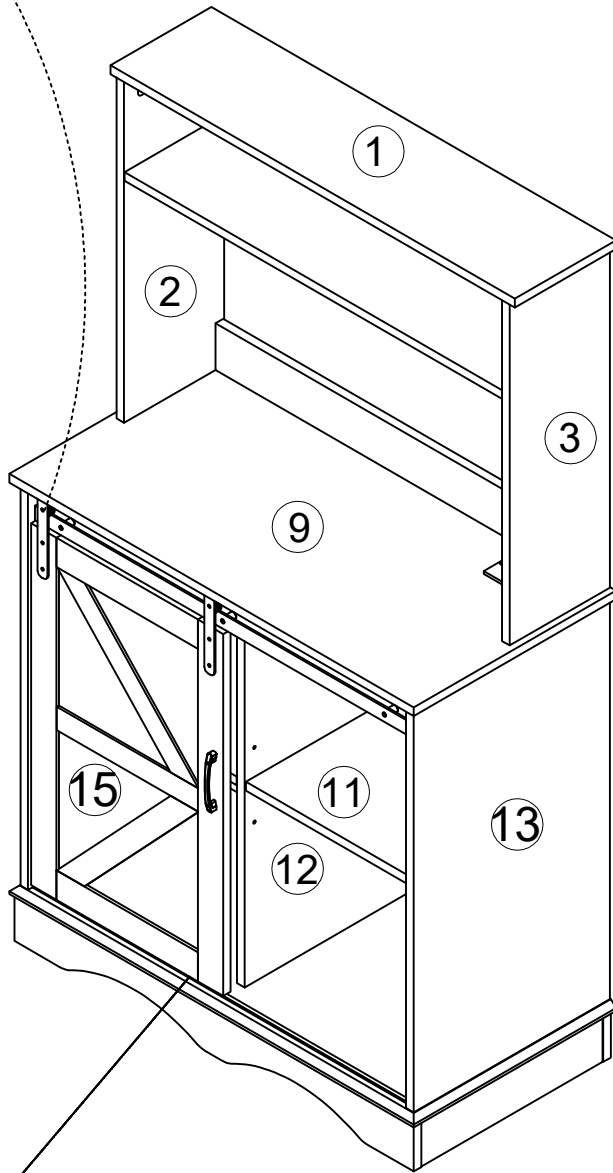
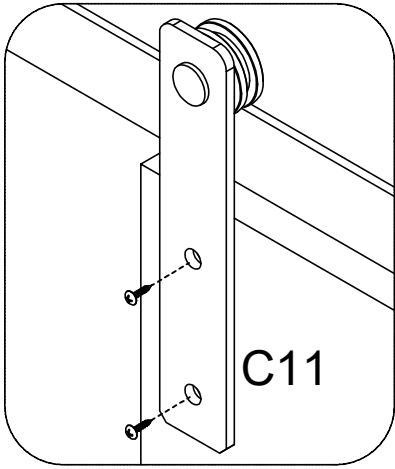
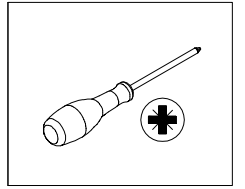
Step 17

				
B1 2PCS	B4 4PCS	C7 1PC	C9 2PCS	
				
C11 2PCS				



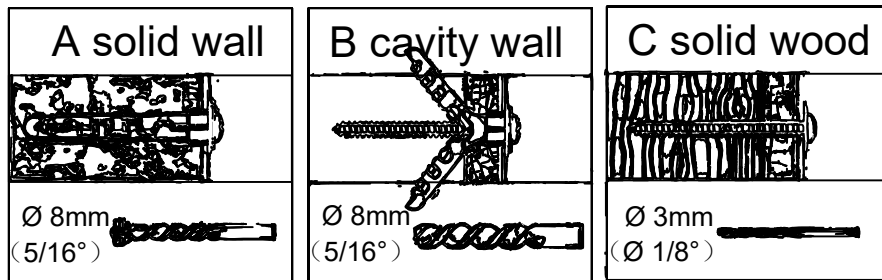
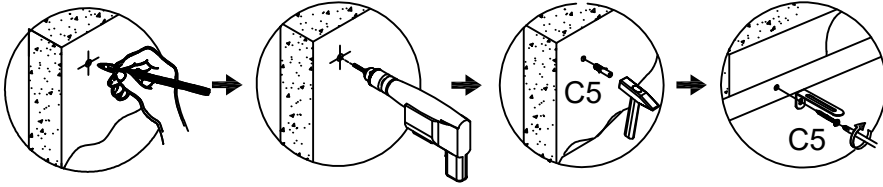
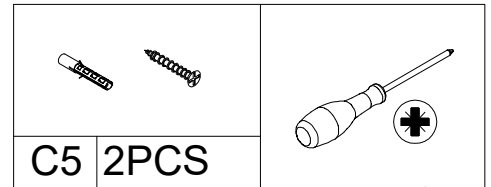
Assemble


Step 18



Assemble

Step 19



 **Warning:** If you overturn the furniture, it may cause serious or fatal crushing injuries. We have a wall connection device attached, please use it to hold the furniture following these instructions.

1. Mark the corresponding hole positions where you want to place the furniture;
2. Use a impact drill to drill holes and pay attention to avoid wires and water pipes;
3. Knock the expansion pipes into the wall holes;
4. Place the furniture in the corresponding position and tighten the wall connection device with screws.

