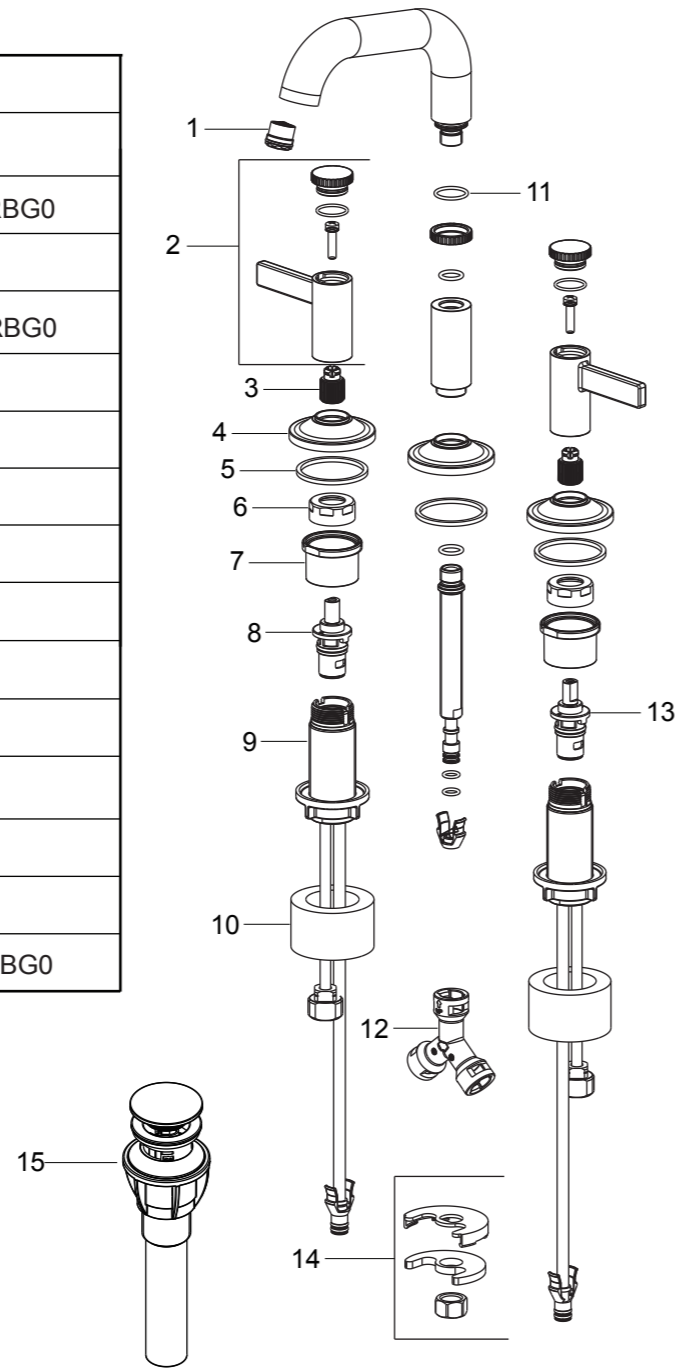


Replacement Parts / Pièces de rechange / Repuestos

UF54600
UF54603
UF54607
UF54608

NO.	Description	Part No.
1	Aerator	5E0005200PL0
2	Handle Assembly	5Y0406900CP/AP/HBW/RBG0
3	Bush	5L0099300PL0
4	Hand Shower Base	5N0111900CP/AP/HBW/RBG0
5	Washer	5R4R0043PL
6	Nut	5T1010800NT0
7	Base	5N0112000PL0
8	Cartridge Assembly-Hot	5D8003500PL0
9	Copper tube 8" platform	5Y0164804PL0
10	Spacer	5L0P0239PL
11	O Ring	51012743PL
12	Tee connector	5J0038800PL0
13	Cartridge Assembly-Cold	5D8003600PL0
14	Mounting hardware	5Y0129600NT0
15	Pop-up Drain Assembly	5Y0161903CP/AP/HBW/RBG0



Limited Lifetime Warranty

Ultra Faucets warrants to the original purchaser that its products will be free from defects in workmanship and materials. All Ultra Faucets are provided with a life time limited warranty. This warranty does not cover any other labor or service charges associated with the removal, repair, or reinstallation of Ultra Faucets products. This express warranty does not apply to products that have been damaged as a result of misuse, abuse, negligence, accident, faulty installation or maintenance practices and/or used in any manner contrary to those recommended by the manufacturer.

Need help? Please call our toll-free customer service line at 1-888-658-5872 for additional assistance or service.
Besoin d'aide? Veuillez communiquer avec notre service à la clientèle au numéro gratuit 1-888-658-5872 pour tous renseignements ou services complémentaires.



Maesson Collection

Two-Handle Widespread Lavatory
Faucet



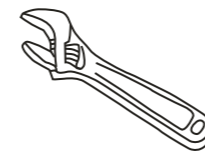
Installation/Installation/Instalación

CUSTOMER SERVICE
TOLL-FREE 1-888-OK-ULTRA (658-5872)

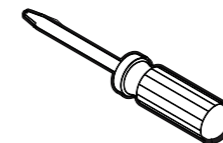
UF54600 - Polished Chrome
UF54603 - PVD Brushed Nickel
UF54607 - Matte Black
UF54608 - Brushed Gold



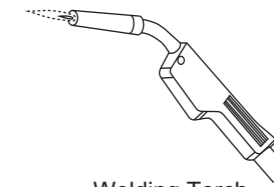
Tools You Will Need / Outils dont vous aurez besoin / Herramientas necesarias



Adjustable Wrench
Clé à molette
Llave ajustable



Phillips Screwdriver
Tournevis Phillips
Destornillador cruciforme



Welding Torch
Chalumeau (soudeur)
Pistola



Groove joint pliers
Pince multiprise
Pinzas ajustables

SAFETY TIPS

- If you use soldering for the installation of the faucet, the seats, cartridges and washers will have to be removed before using flame. Otherwise, warranty will be void on those parts.
- Cover your drain to avoid losing parts.
- 0°C~55°C.

CONSIGNES DE SÉCURITÉ

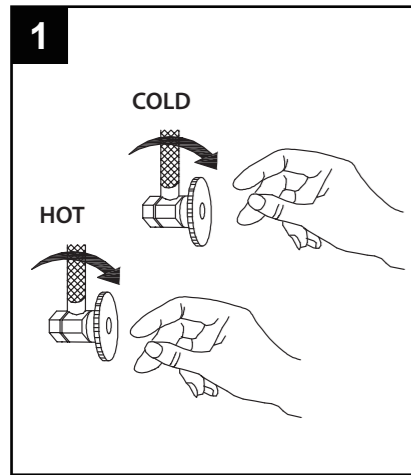
- Si vous posez le robinet par brasage, il est essentiel de retirer les sièges, les cartouches et les rondelles avant d'appliquer la flamme, faute de quoi la garantie sur ces pièces sera annulée.
- Couvrez le drain pour ne pas perdre des pièces.
- 0°C~55°C.

CONSEJOS DE SEGURIDAD

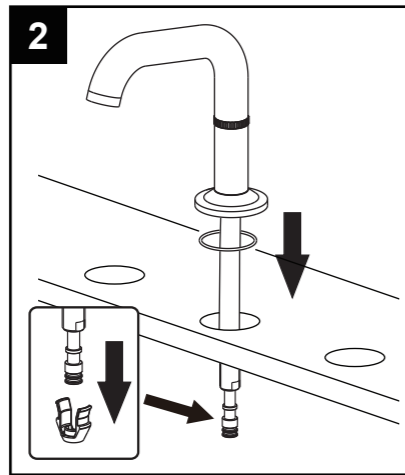
- En el caso de utilizar soldadura para instalar el grifo, remueva los asientos, cartuchos y arandelas antes de usar la llama. De lo contrario, se anulará la garantía para esos componentes.
- Tape la boca del desagüe para prevenir la pérdida de piezas pequeñas.
- 0°C~55°C.

Installation/Installation/Instalación

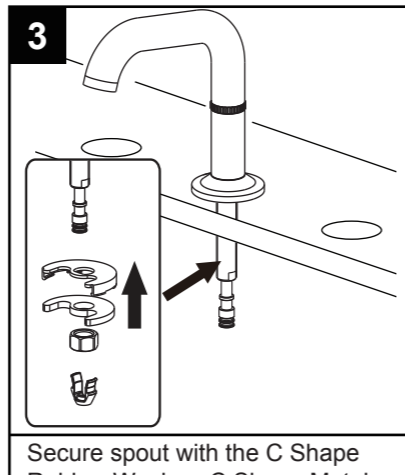
UF54600
UF54603
UF54607
UF54608



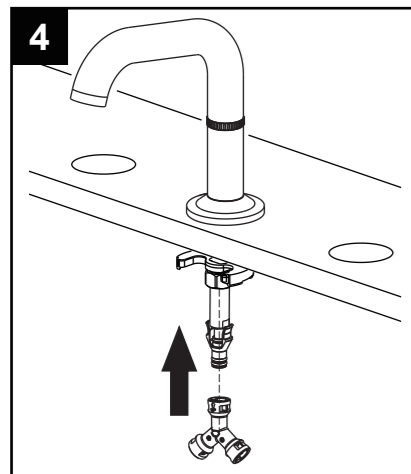
1 Shut off the supply of the water valves. Remove old faucet and clean the mounting surface for installation of a new faucet.



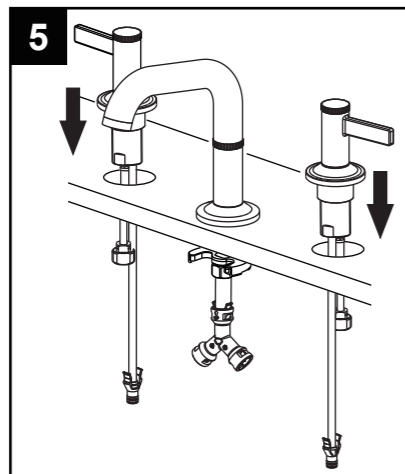
2 Remove the Clip from the Spout and place spout through the center mounting hole on the countertop.



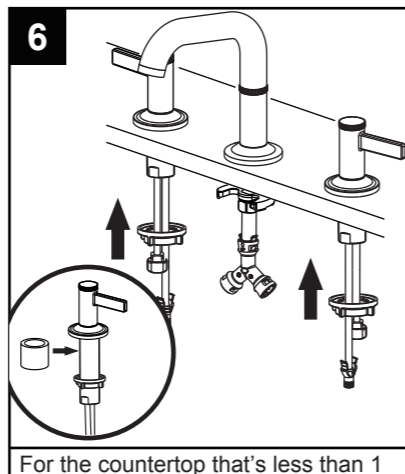
3 Secure spout with the C Shape Rubber Washer, C Shape Metal Washer, and Locking Nut. Install the Clip to the Spout Inlet Pipe / Mounting Rod.



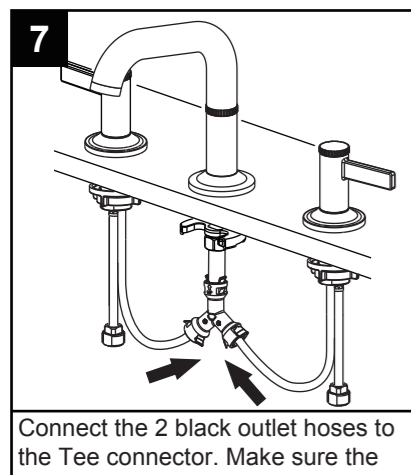
4 Insert the Tee connector to the center spout inlet hose until it clicks in place. There will be an audible click when the connector is connected properly.



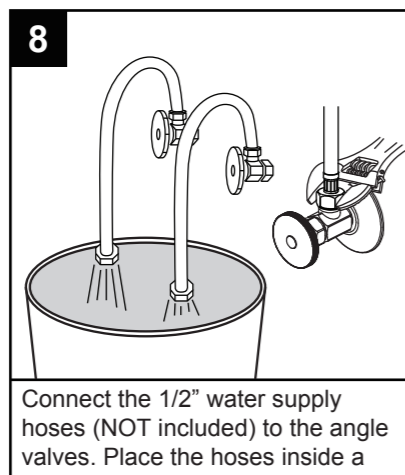
5 Slide hot and cold water handle through the 2 side mounting holes. Handles should point outward in off position.



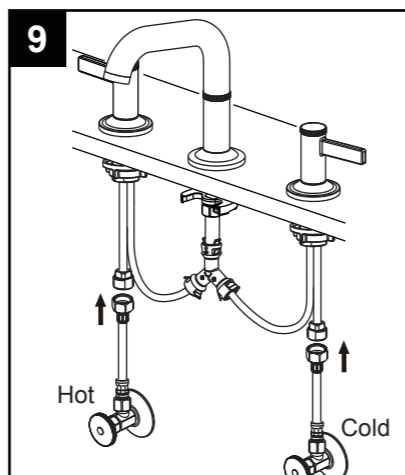
6 For the countertop that's less than 1 inch thick, use the Spacer with the Locking Nut to secure the handle to the countertop, otherwise no need this the Spacer.



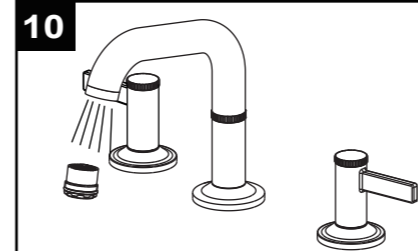
7 Connect the 2 black outlet hoses to the Tee connector. Make sure the hose are fully inserted until locked in place. There will be an audible click when the hoses are connected properly.



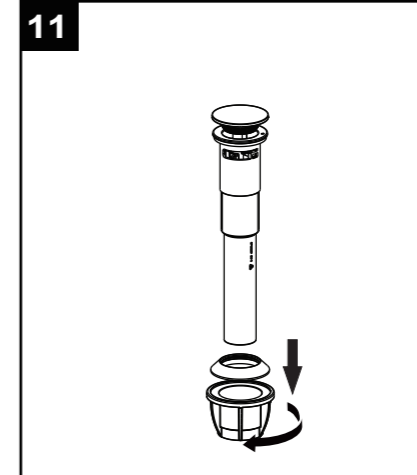
8 Connect the 1/2" water supply hoses (NOT included) to the angle valves. Place the hoses inside a small bucket and slowly turn on the water to flush the lines before connecting the supply hoses to the handles.



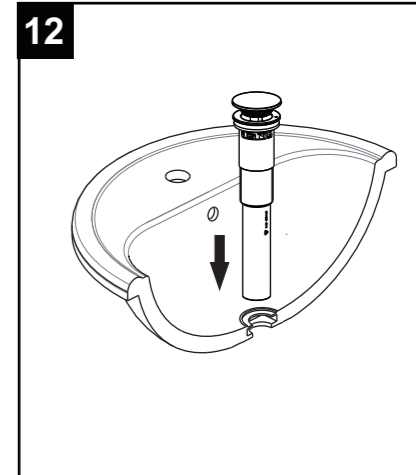
9 Connect the water supply hoses to the hot/cold copper inlet tubes.



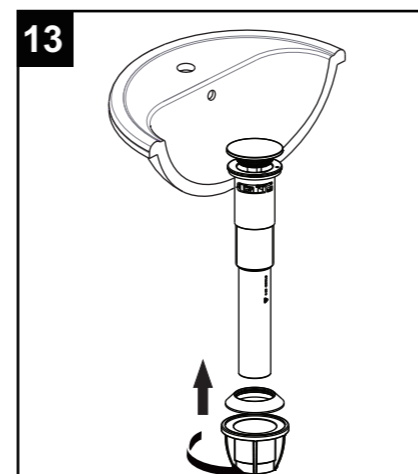
10 Remove the aerator with a small coin or a flat head screw driver. Turn on water supply and let the water run for 20 seconds. Check for leaks at all connections. Reinstall the aerator to complete the installation. (NOTE: Sediments or mineral buildup will clog the aerator and decrease water flow. It is recommended to clean the aerator regularly to maintain proper water flow.



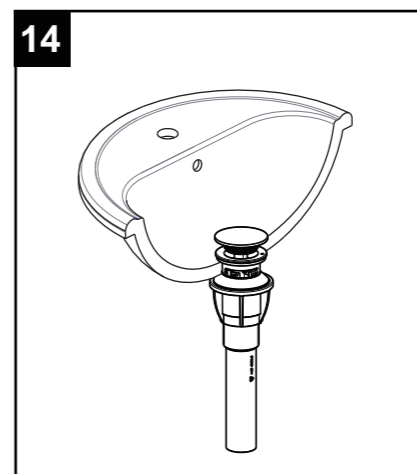
11 Remove rubber washer and locking nut from the drain assembly.



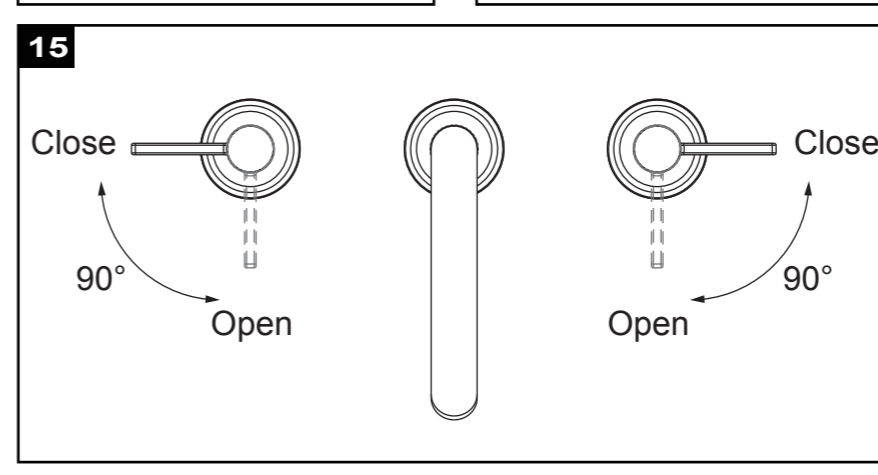
12 Slide push drain down into drain hole.



13 Tighten seal ring with plastic nut upwards and secure tight from below.



14 Complete the assembly.



15 Close Open 90° Open 90° Close