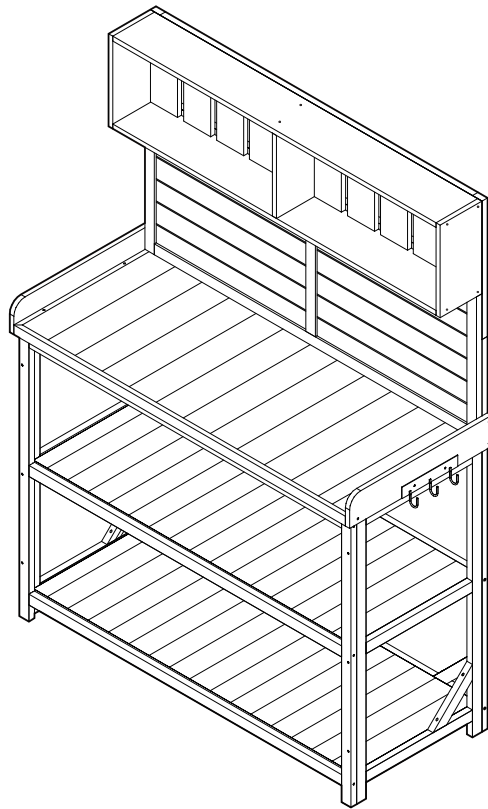
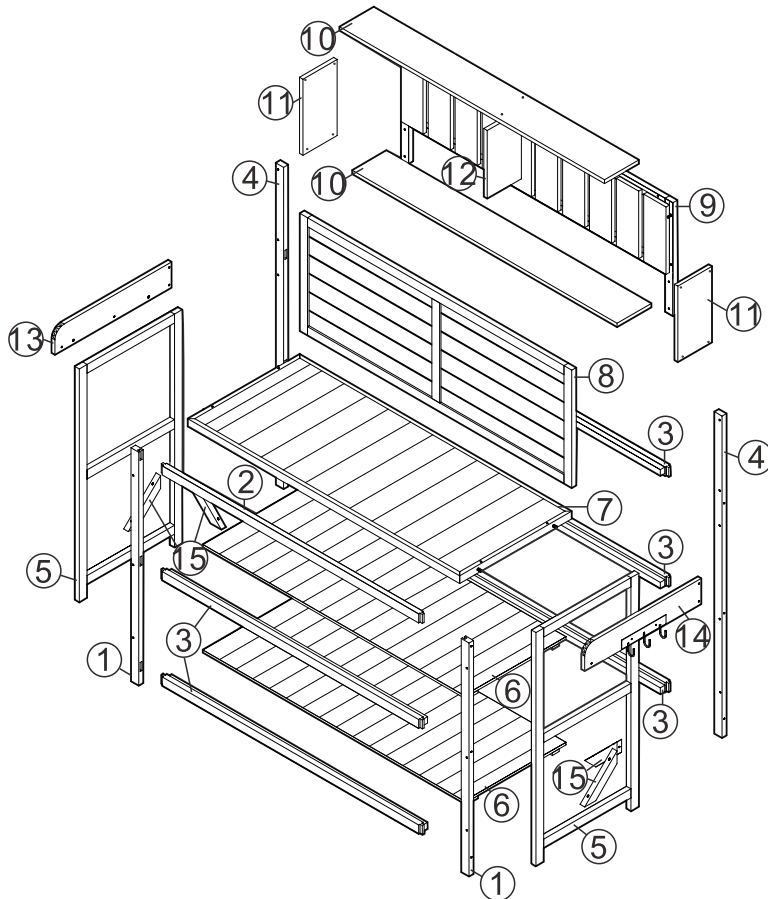


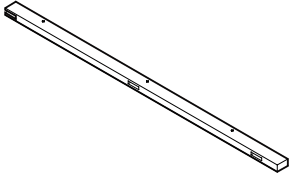
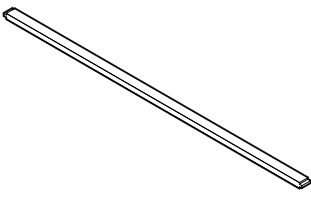
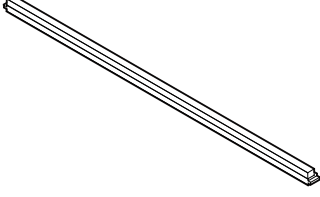
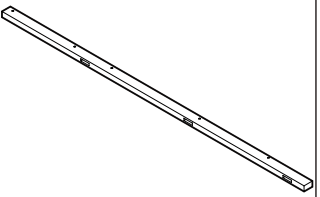
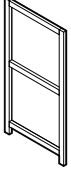
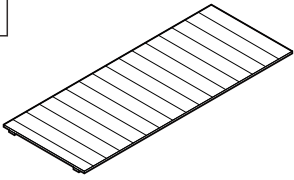
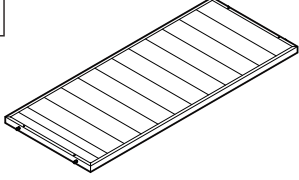
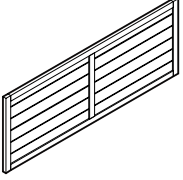
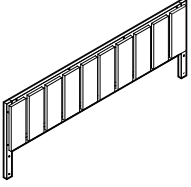
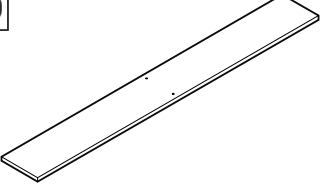
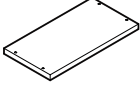
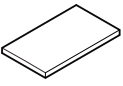
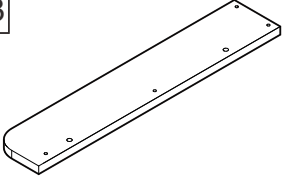
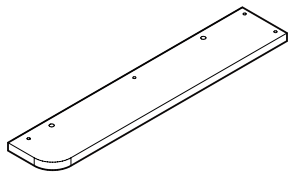
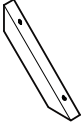
# Installation & Assembly










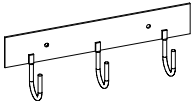

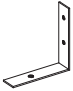

## Detail View Vue détaillée



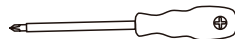
Hardware List  
Liste du matériel

1		2		3		4	
Middle slat of front panel-2pcs		Upper slat of front panel-1pc		Slat of front&back panel-5pcs		Lower slat of back panel-2pcs	
5		6		7		8	
Side panels-2pcs		Shelves -2pcs		Top of table- 1pc		Middel part of back panel-1pc	
9		10		11		12	
Upper part of back panel-1pc		Top&Bottom part of flower stand-2pcs		Side panel of flower stand-2pcs		Left panel of flower stand-1pc	
13		14		15			
Left panel of flower stand-1pc		Right panel of flower stand-1pc		Reinforced wooden strips-4pcs			

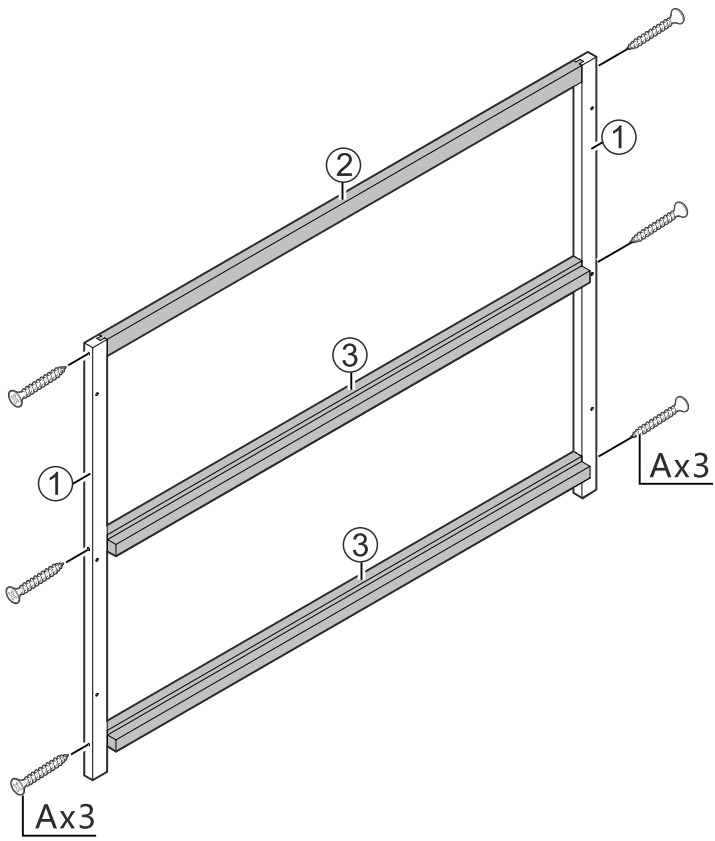
Hardware List  
Liste du matériel

A	 3.5×60	B	 3.5×50	C	 3.5×40	D	 3.5×35
Ph zinc screws-12+1pcs		Ph zinc screws-12+1pcs		Ph zinc screws-26+1pcs		Ph zinc screws-8+1pcs	
E	 3.0×30	F	 3.0×28	G		H	
Ph zinc screws-20+1pcs		Ph zinc screws-2+1pcs		Wood dowel-4pcs		Hook-1pc	
I	 Ph zinc screws-4+1pcs	J	 Angle steel-2pcs	K	 Ground nail-2pcs		

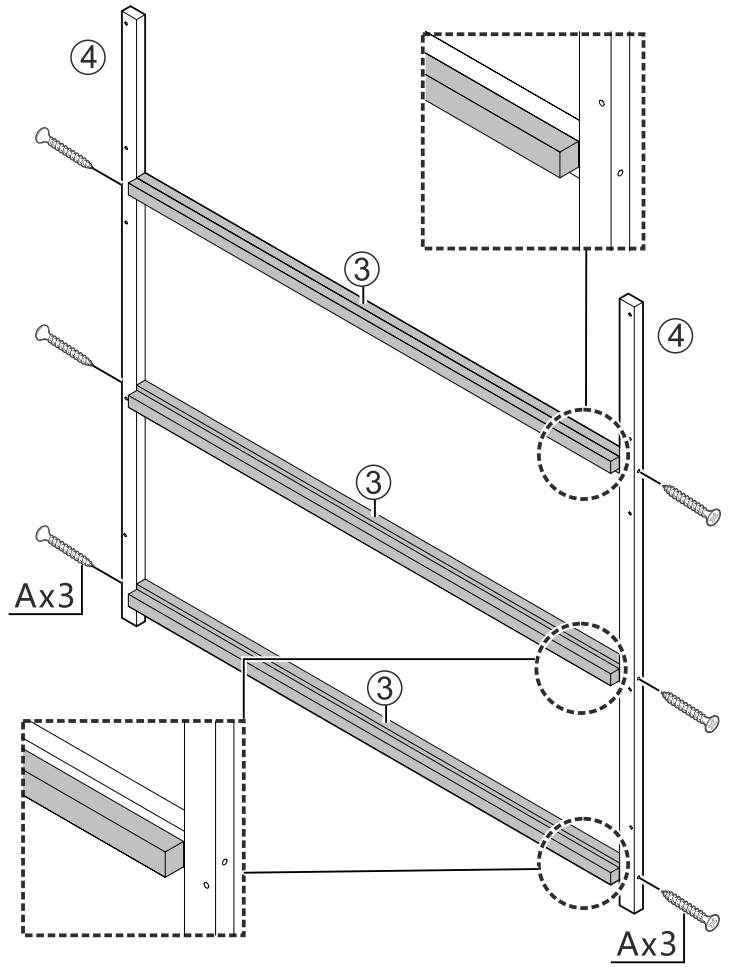
ASSEMBLY TOOLS REQUIRED( NOTINCLUDED)  
Outils d'assemblage requis (non inclus)



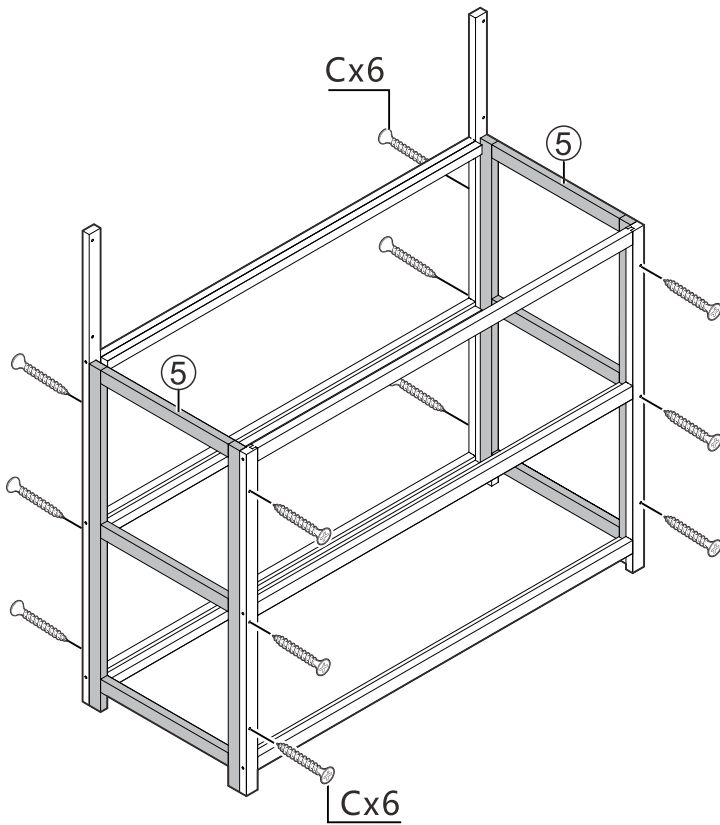
PLEASE BE CAREFUL DO NOT DAMAGE THE HOLE POSITION WHEN YOU USE POWERTOOLS!  
Veuillez faire attention à ne pas endommager la position du trou lors de l'utilisation d'outils électriques!



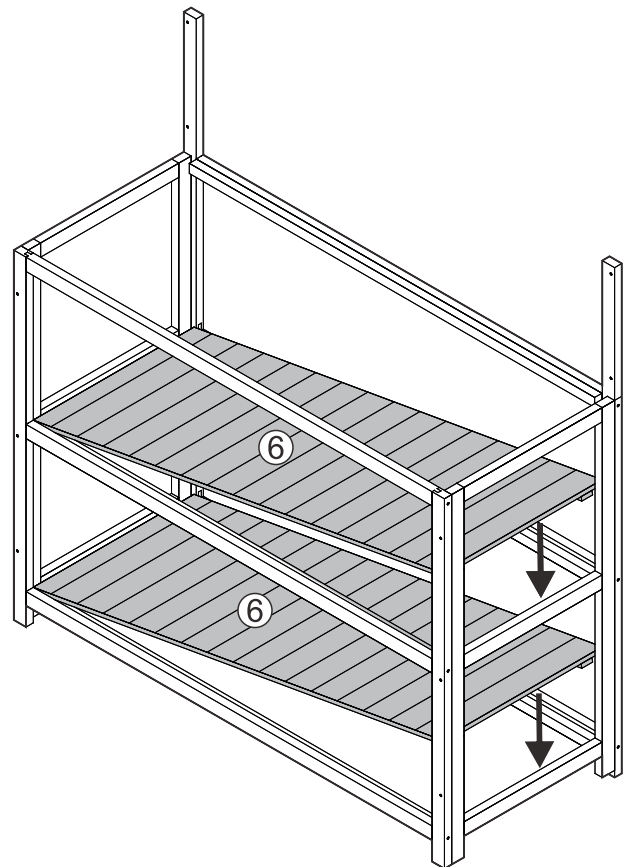
1



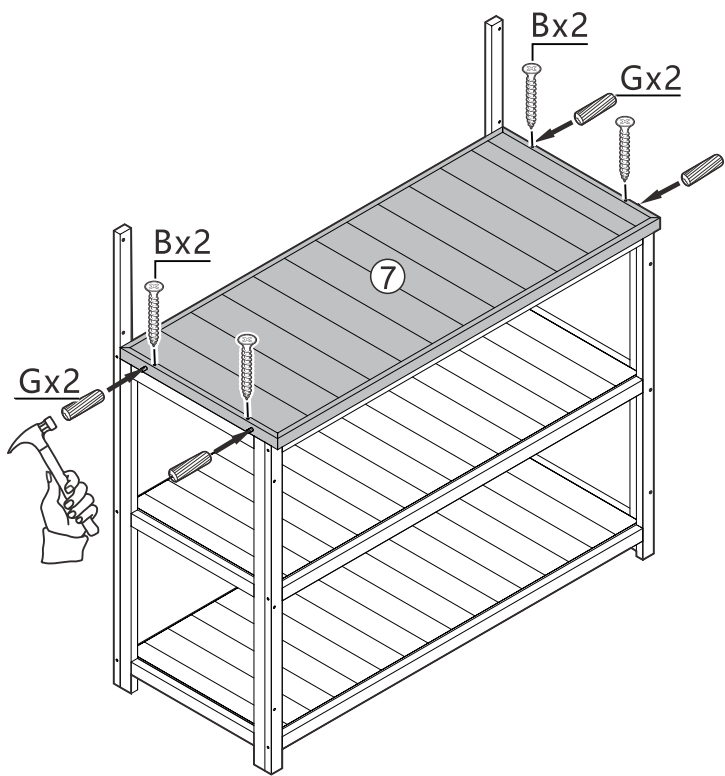
2



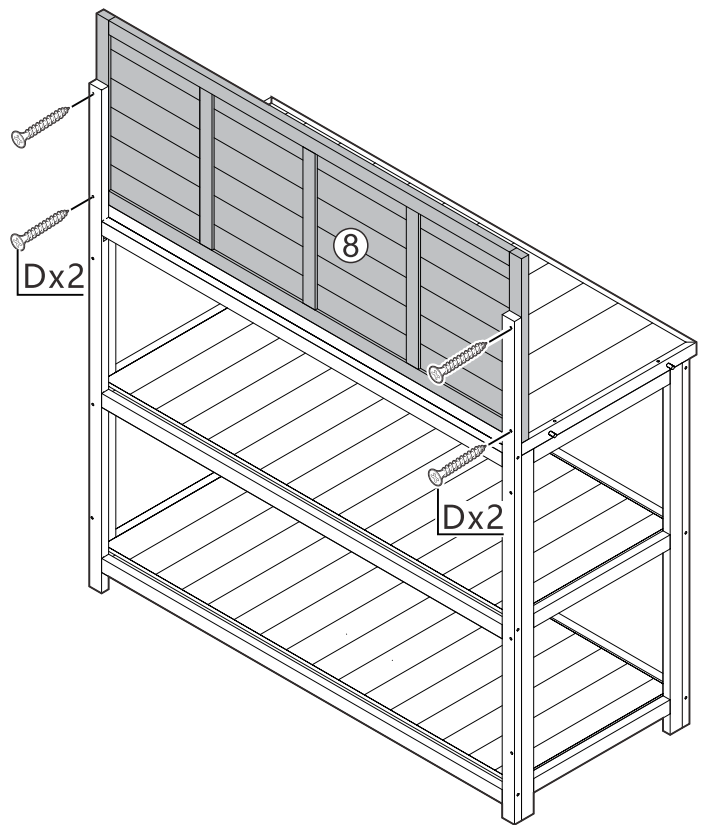
3



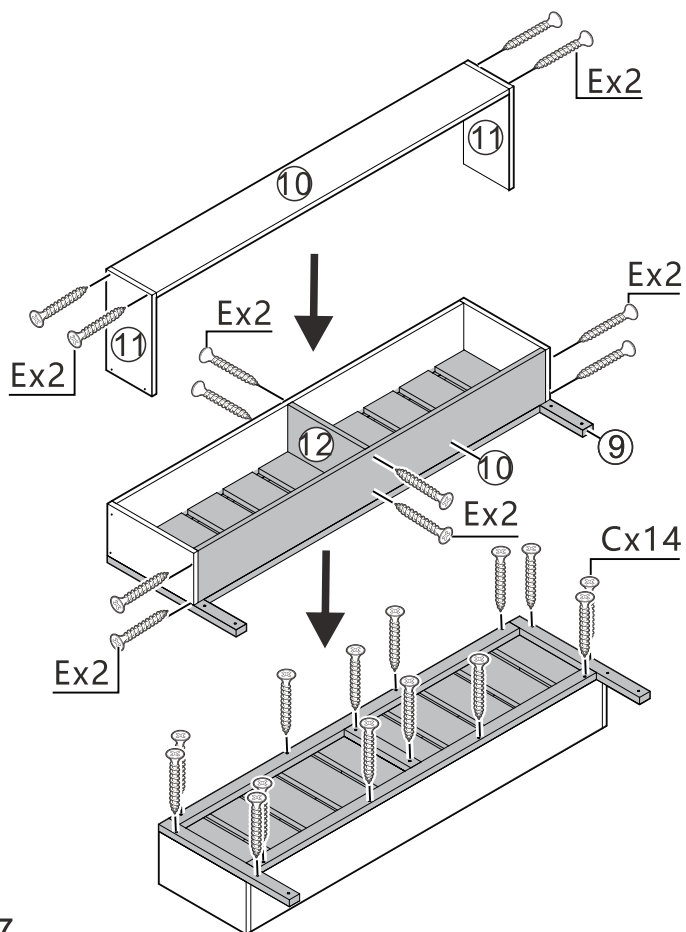
4



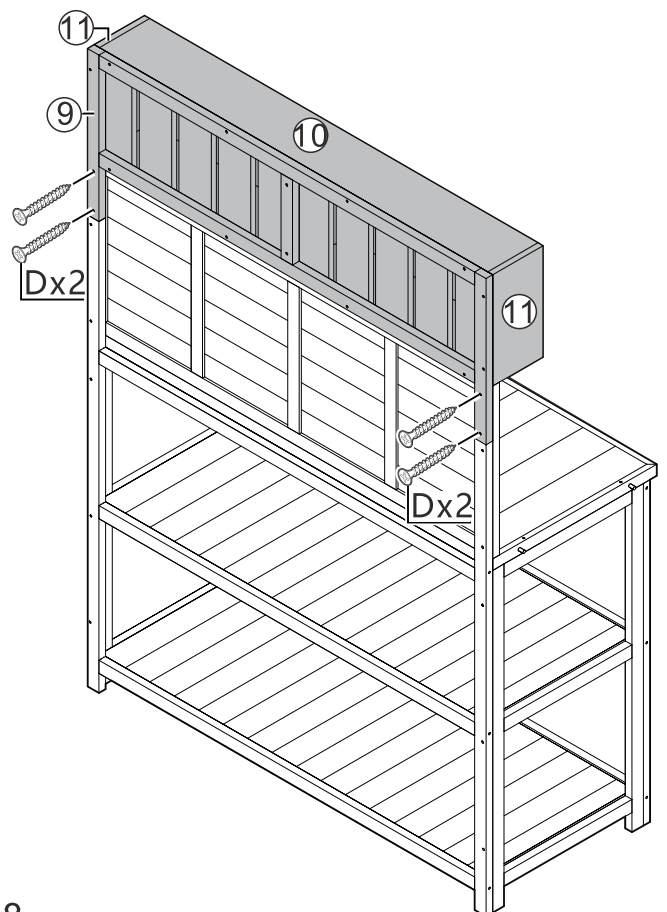
5



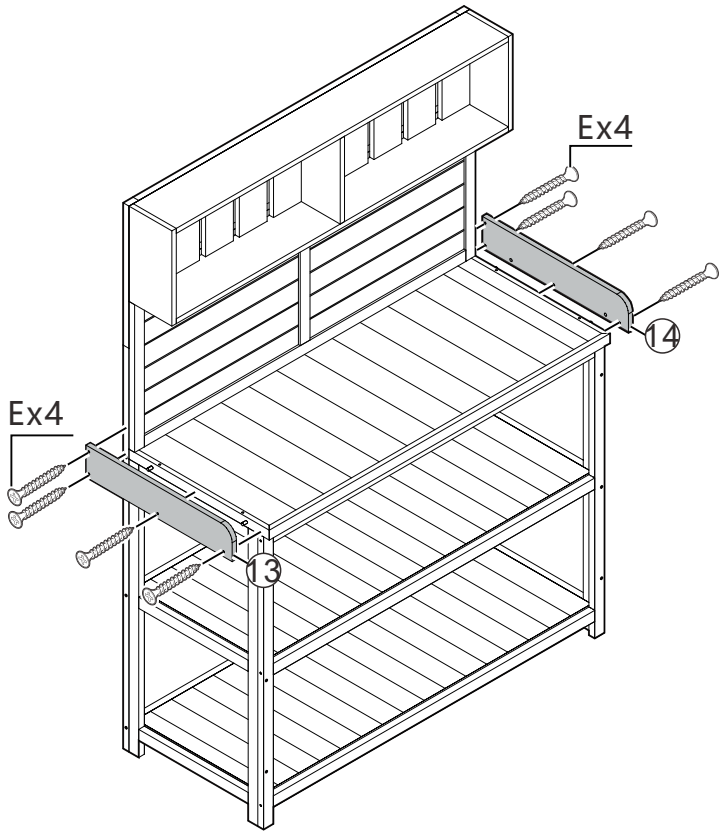
6



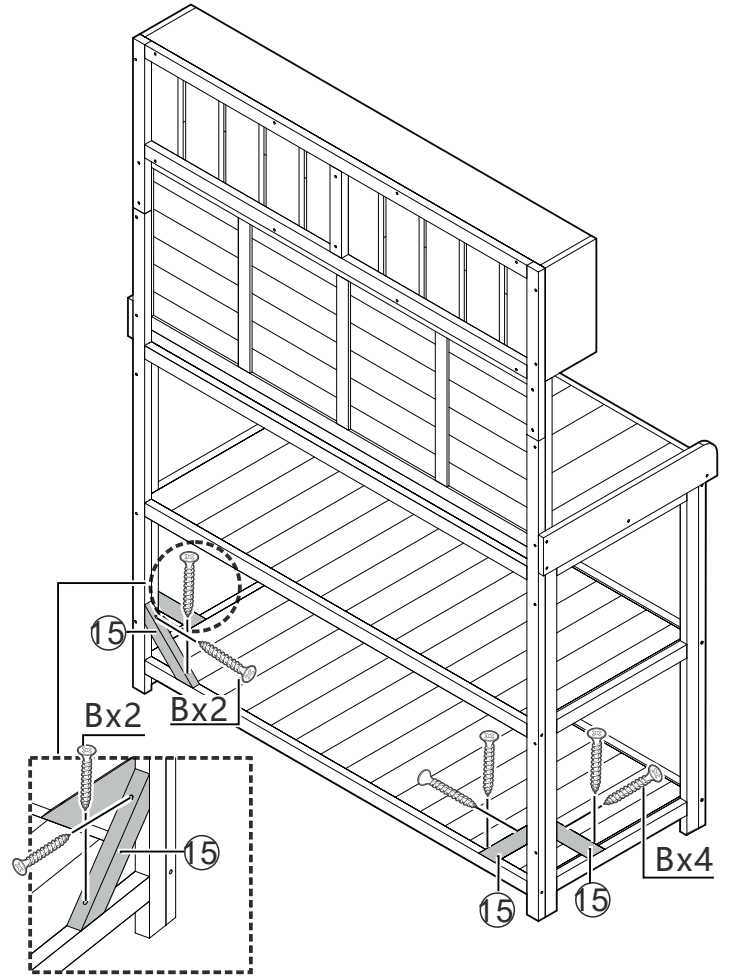
7



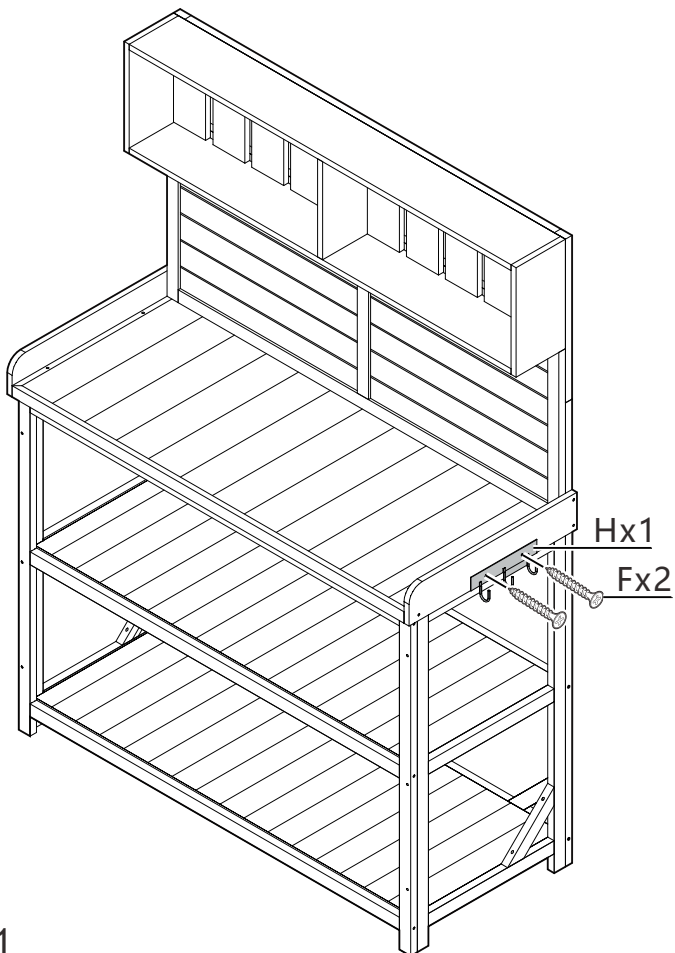
8



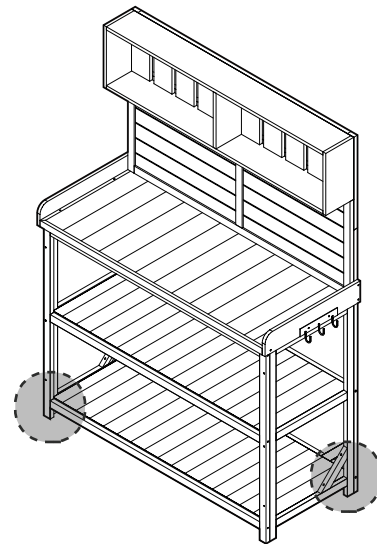
9



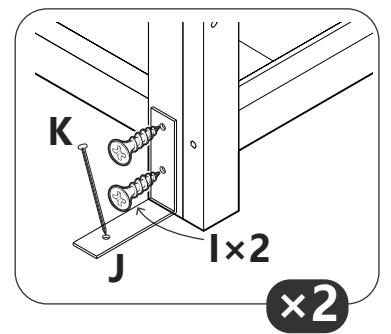
10



11



12



x2