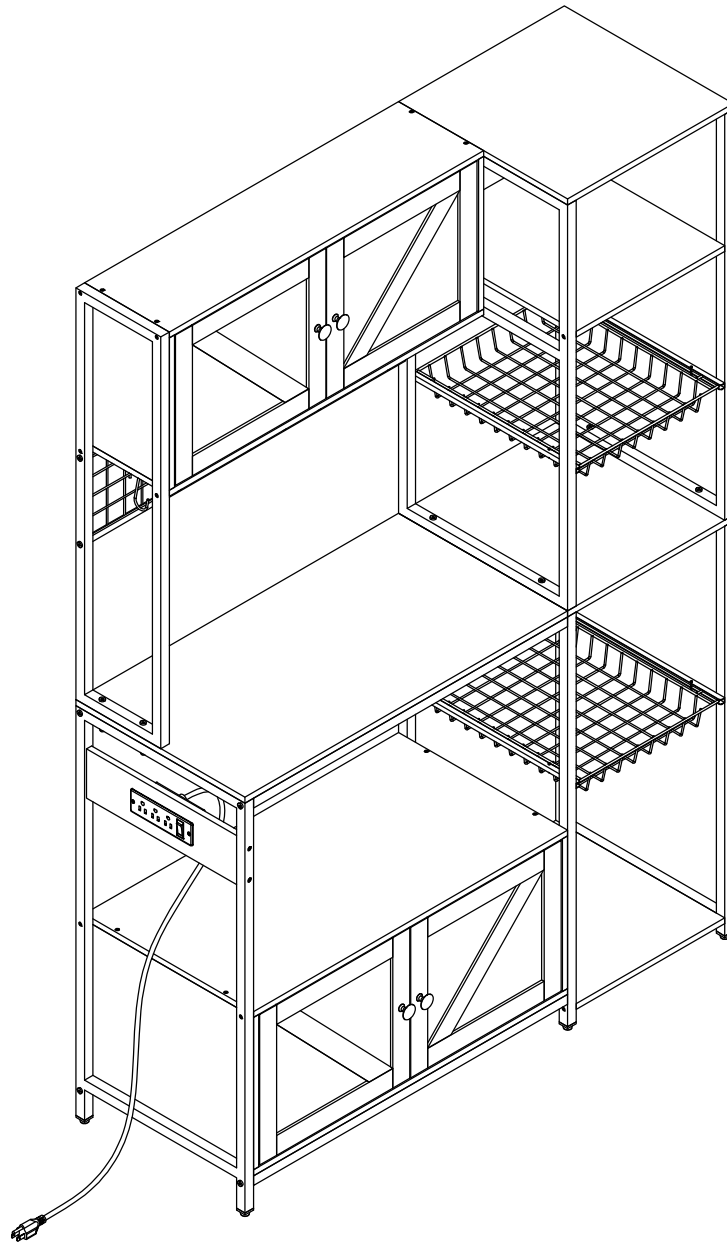




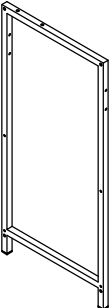
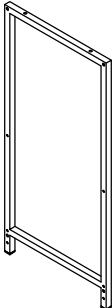
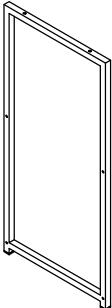

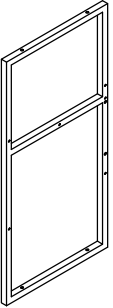
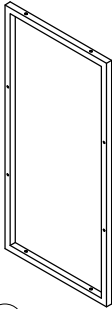

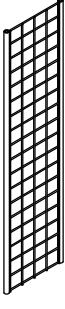
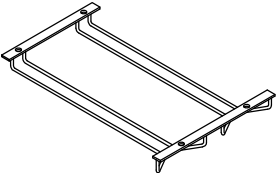
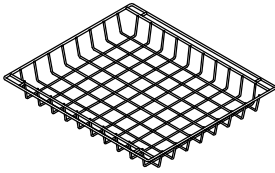

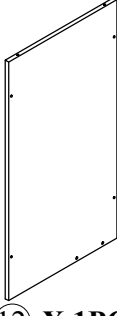
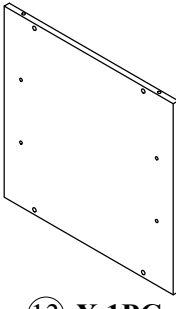
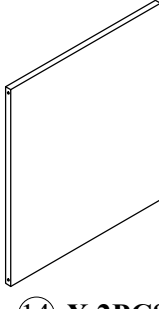
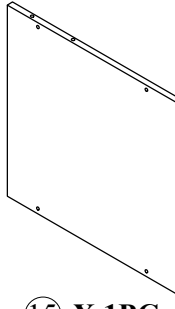

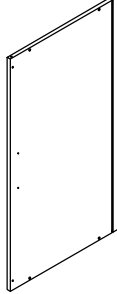

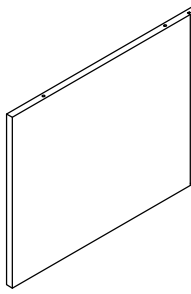
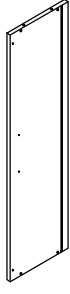

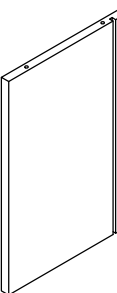
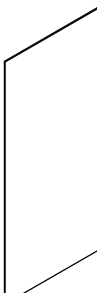
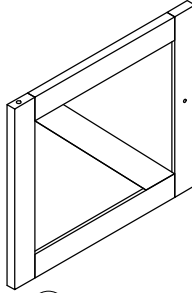
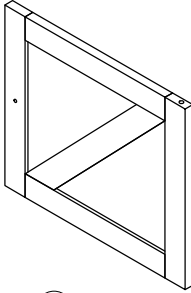
# INSTRUCTION MANUAL



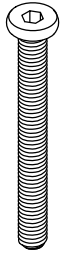
■ Please don't tighten the screws completely and go back later for a final tightening of all the screws after pieces are aligned with each other



MADE IN CHINA

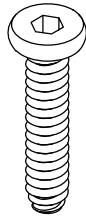
 ① X 1PC	 ② X 1PC	 ③ X 1PC	 ④ X 1PC	 ⑤ X 1PC
 ⑥ X 1PC	 ⑦ X 4PCS	 ⑧ X 1PC	 ⑨ X 1PC	 ⑩ X 2PCS
 ⑪ X 4PCS	 ⑫ X 1PC	 ⑬ X 1PC	 ⑭ X 2PCS	 ⑮ X 1PC
 ⑯ X 1PC	 ⑰ X 1PC	 ⑱ X 1PC	 ⑲ X 2PCS	 ⑳ X 1PC
 ㉑ X 1PC	 ㉒ X 2PCS	 ㉓ X 2PCS	 ㉔ X 2PCS	 ㉕ X 2PCS

**(A) X 6+1**



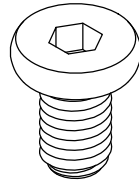
M6\*60mm

**(B) X 24+1**



M6\*28mm

**(C) X 4+1**



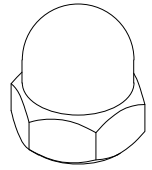
M6\*10mm

**(D) X 38+2**



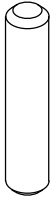
M5\*45mm

**(E) X 6+1**



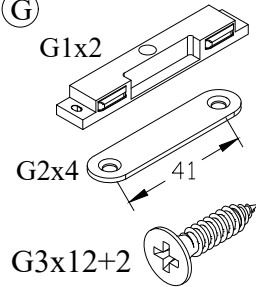
M6\*12mm

**(F) X 4+2**



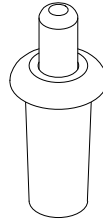
M6\*30mm

**(G)**



M3.5\*14mm

**(H) X 8+1**

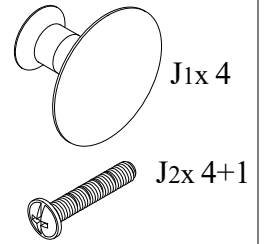


**(I) X 4+1**



φ2.4\*18mm

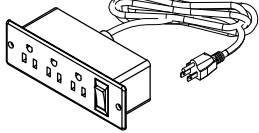
**(J)**



M4\*20mm

**(K)**

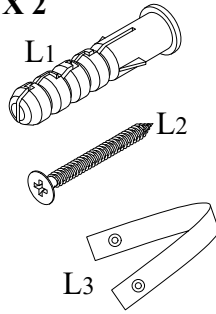
K1x 1



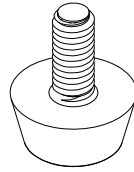
K2x 2+1

M3.5\*12mm

**(L) X 2**

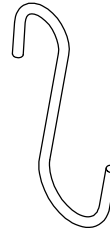


**(M) X 6**

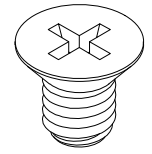


M8

**(N) X 8**

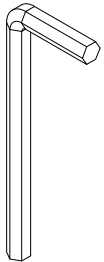


**(O) X 8+1**



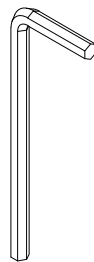
M4\*6mm

**X 1**



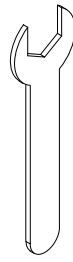
M4

**X 1**



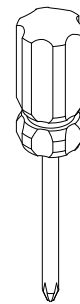
M3

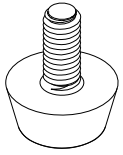
**X 1**



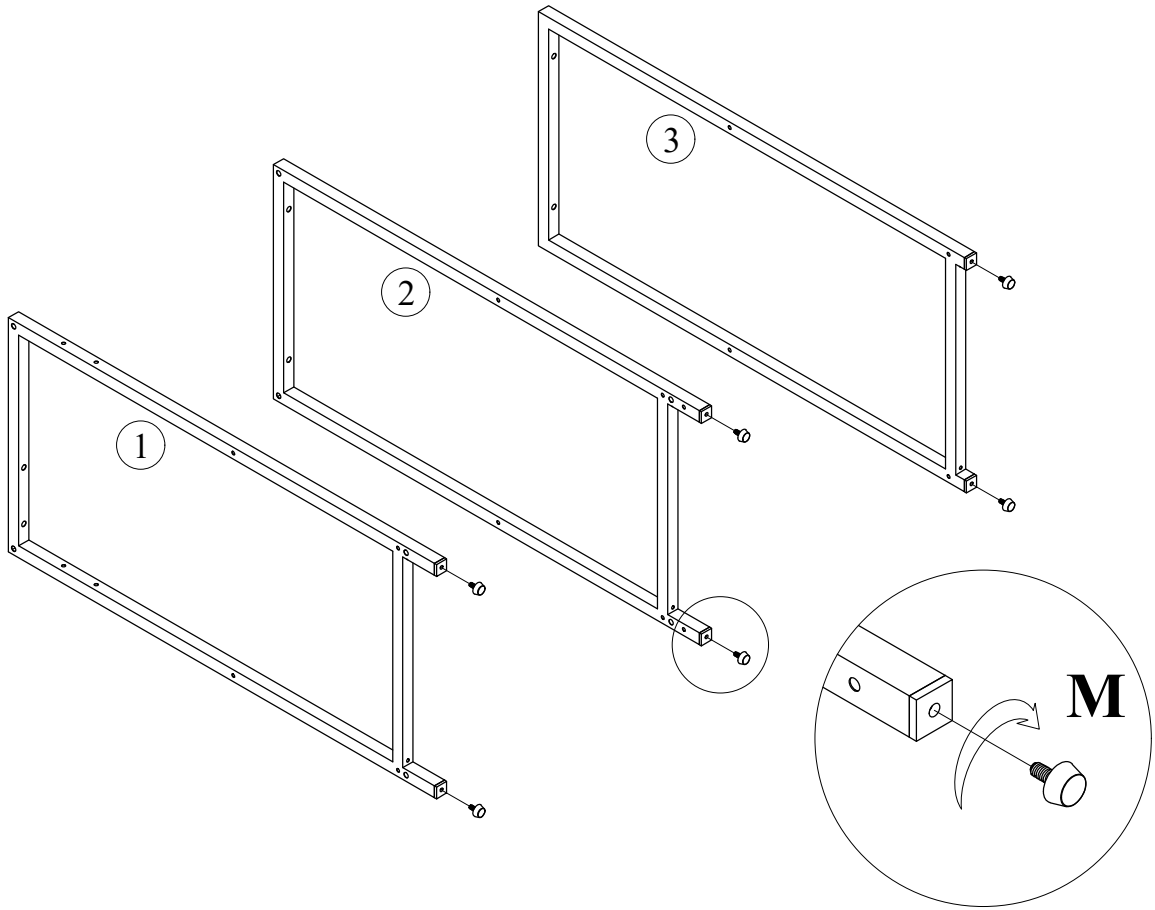
10#

**X 1**

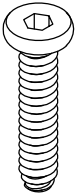




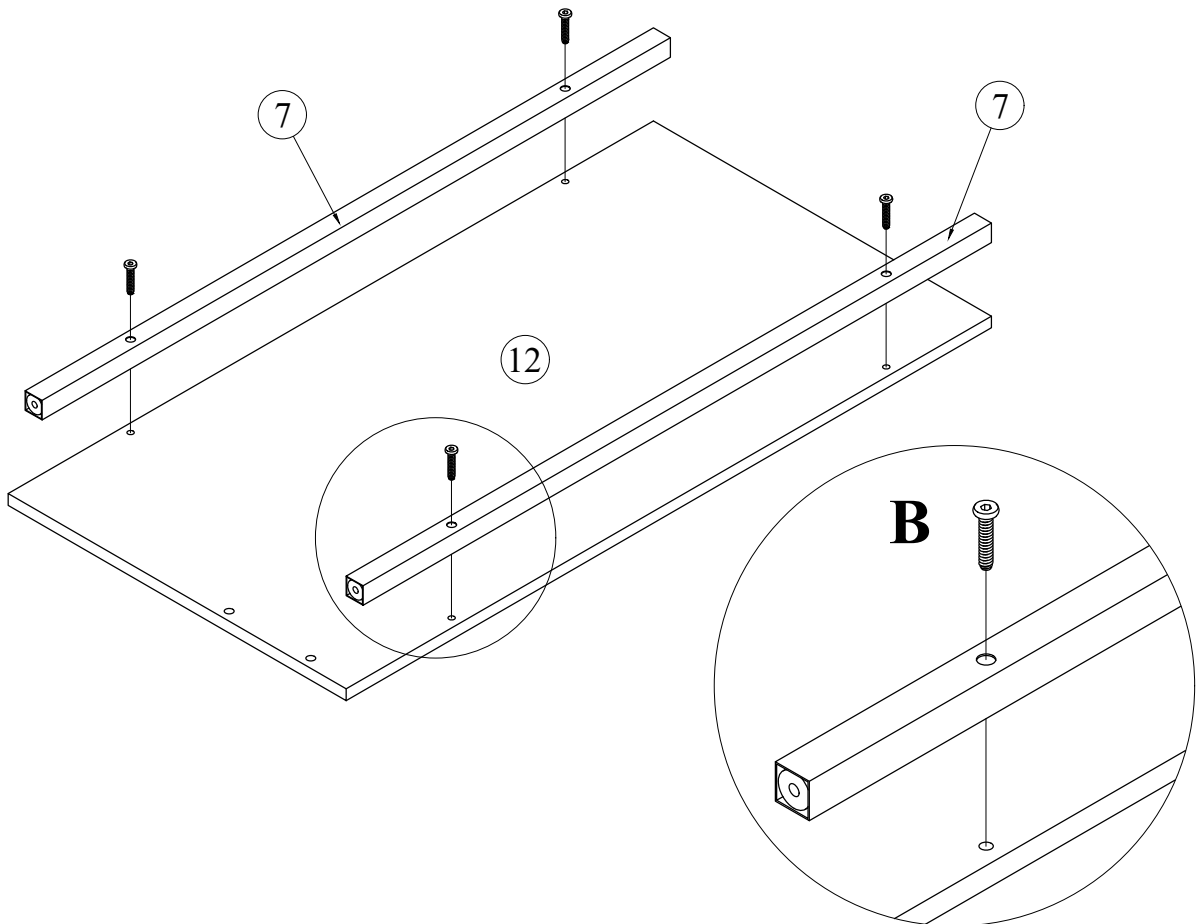
**M** X6



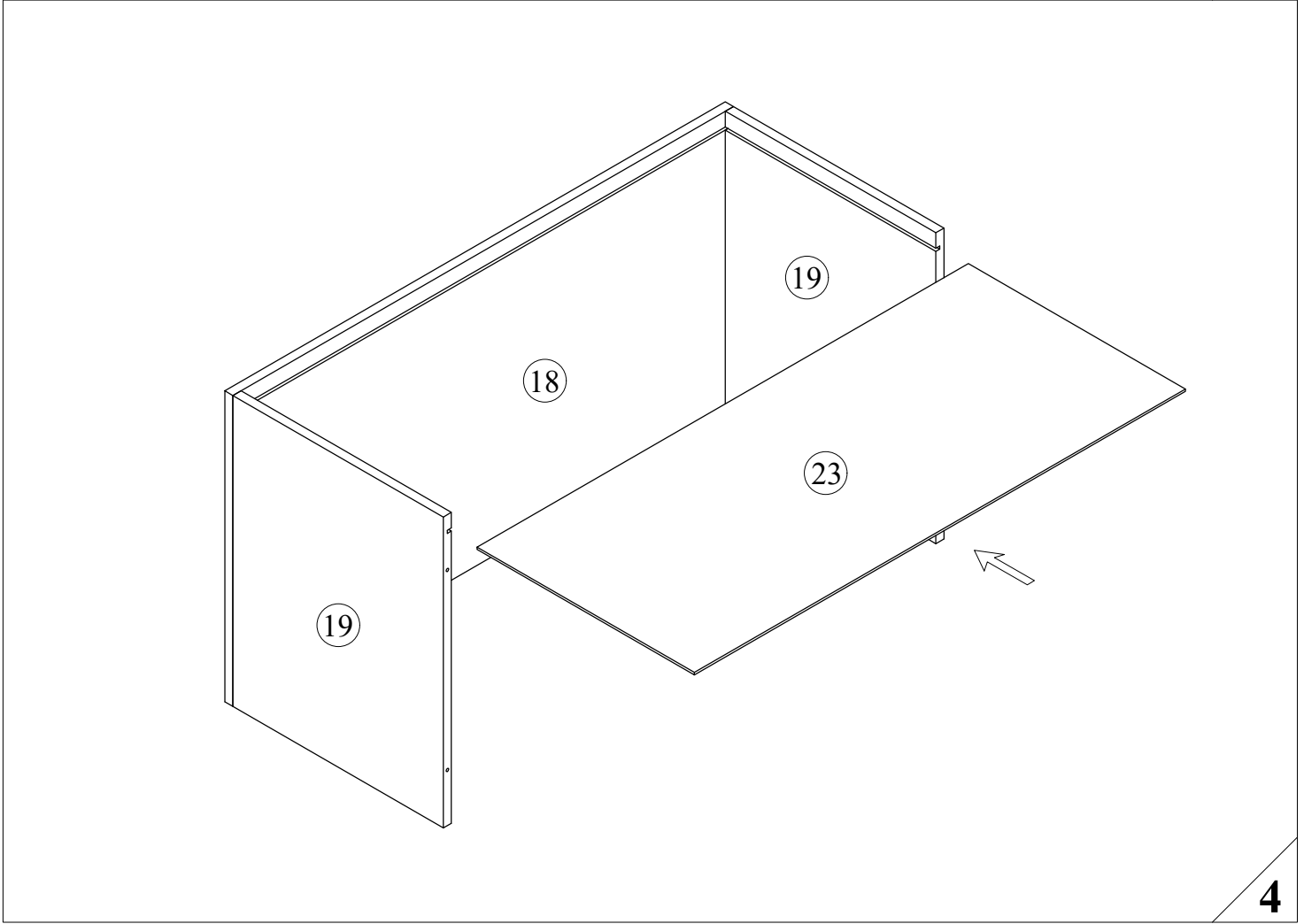
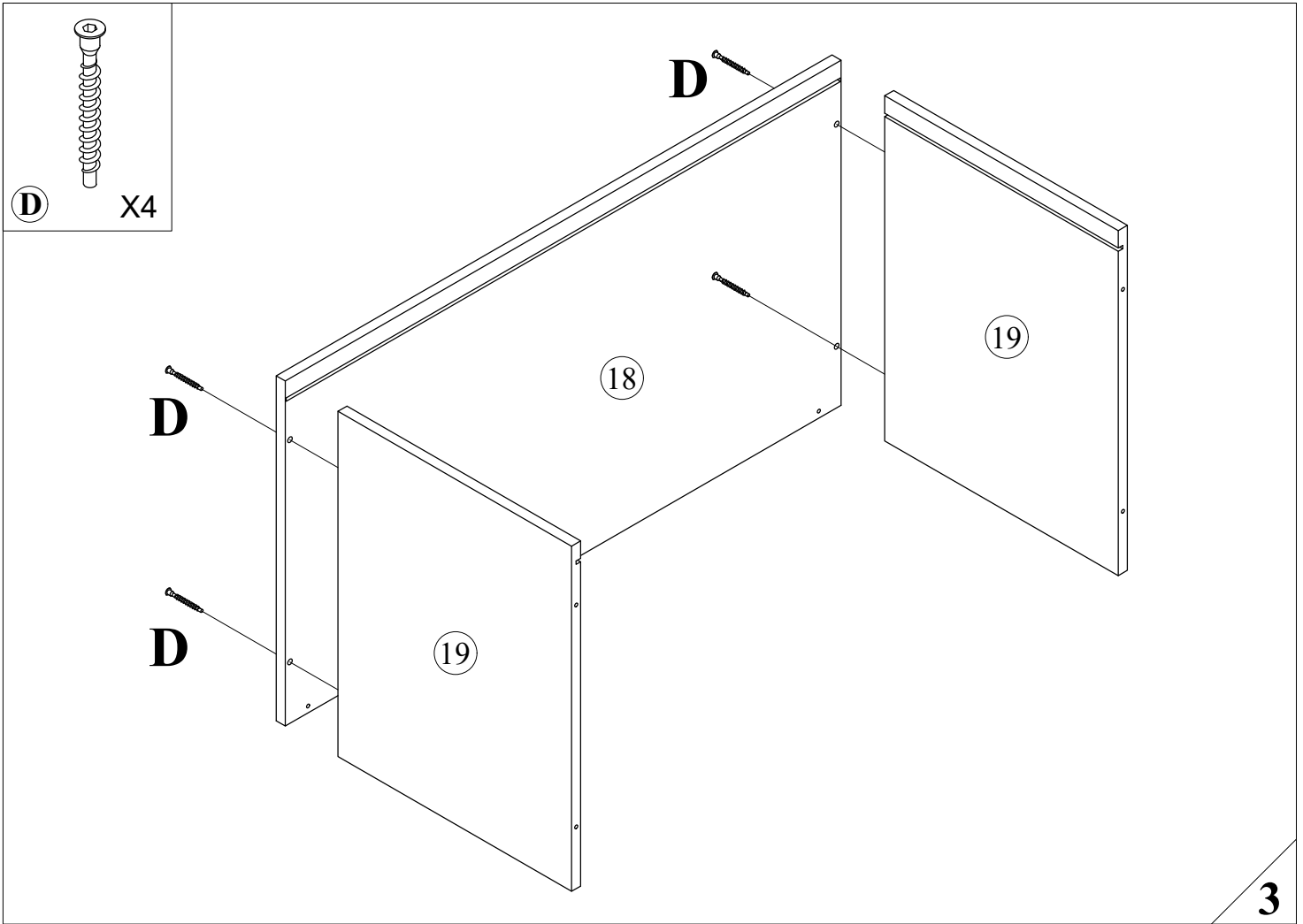
**1**

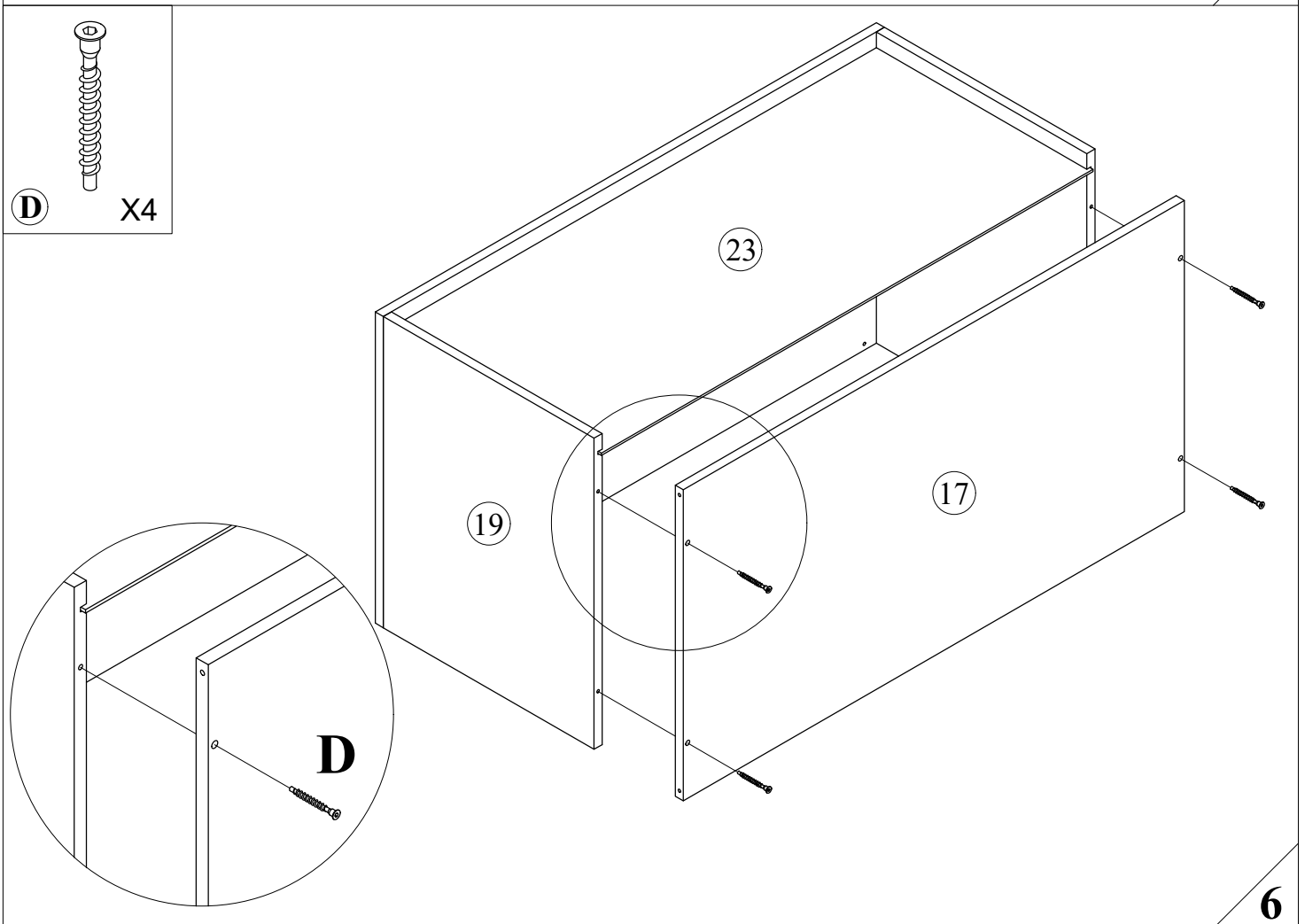
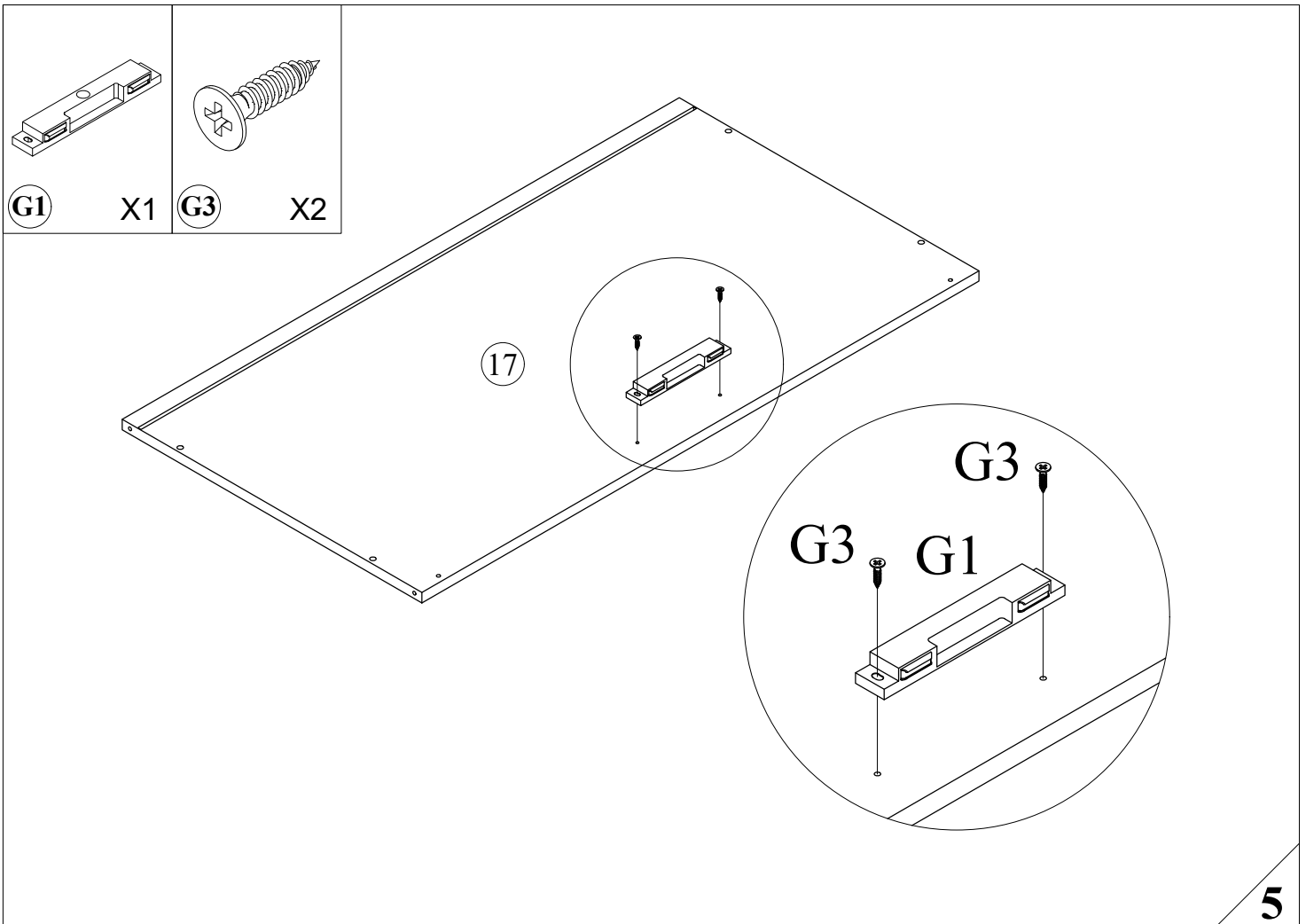


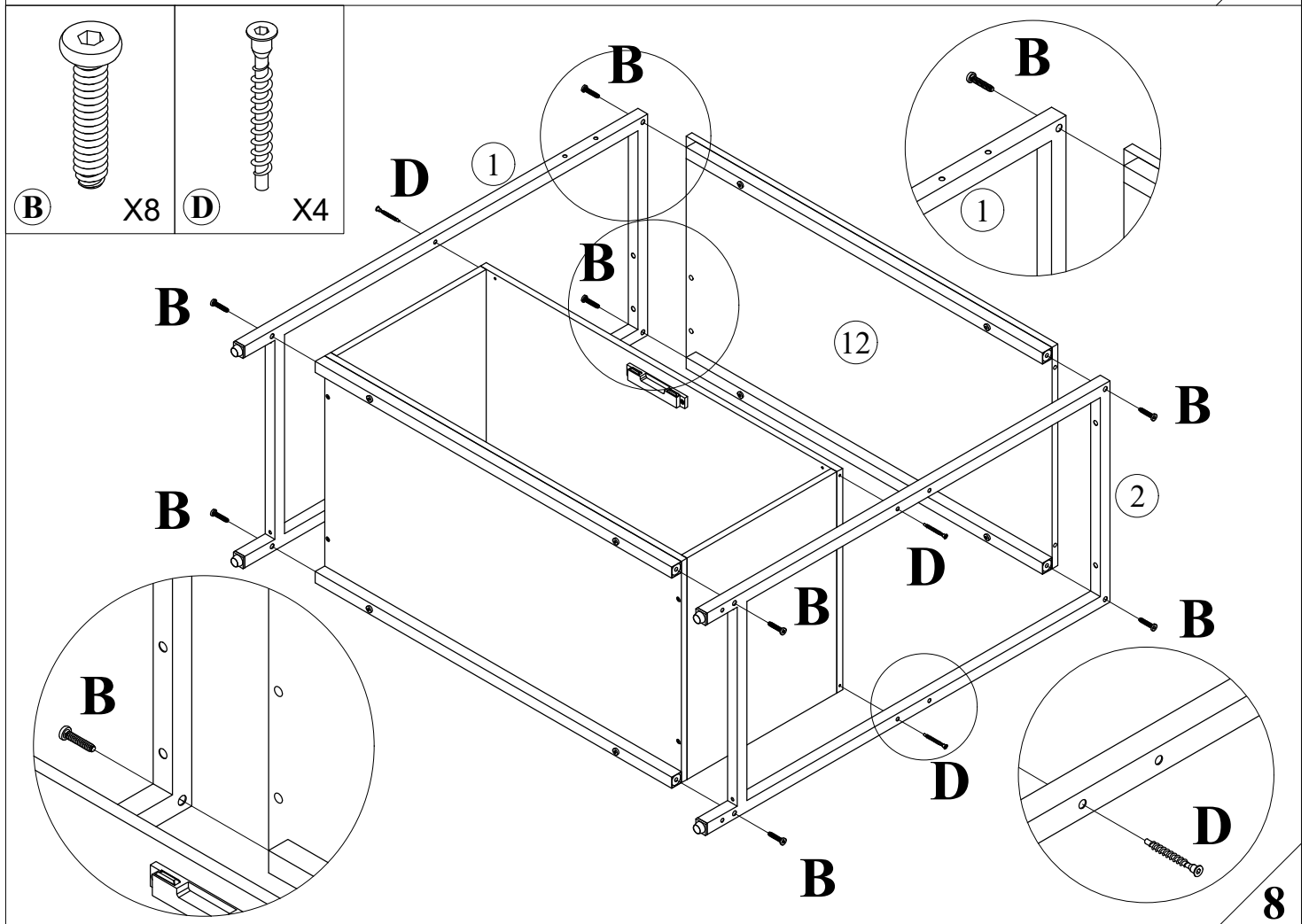
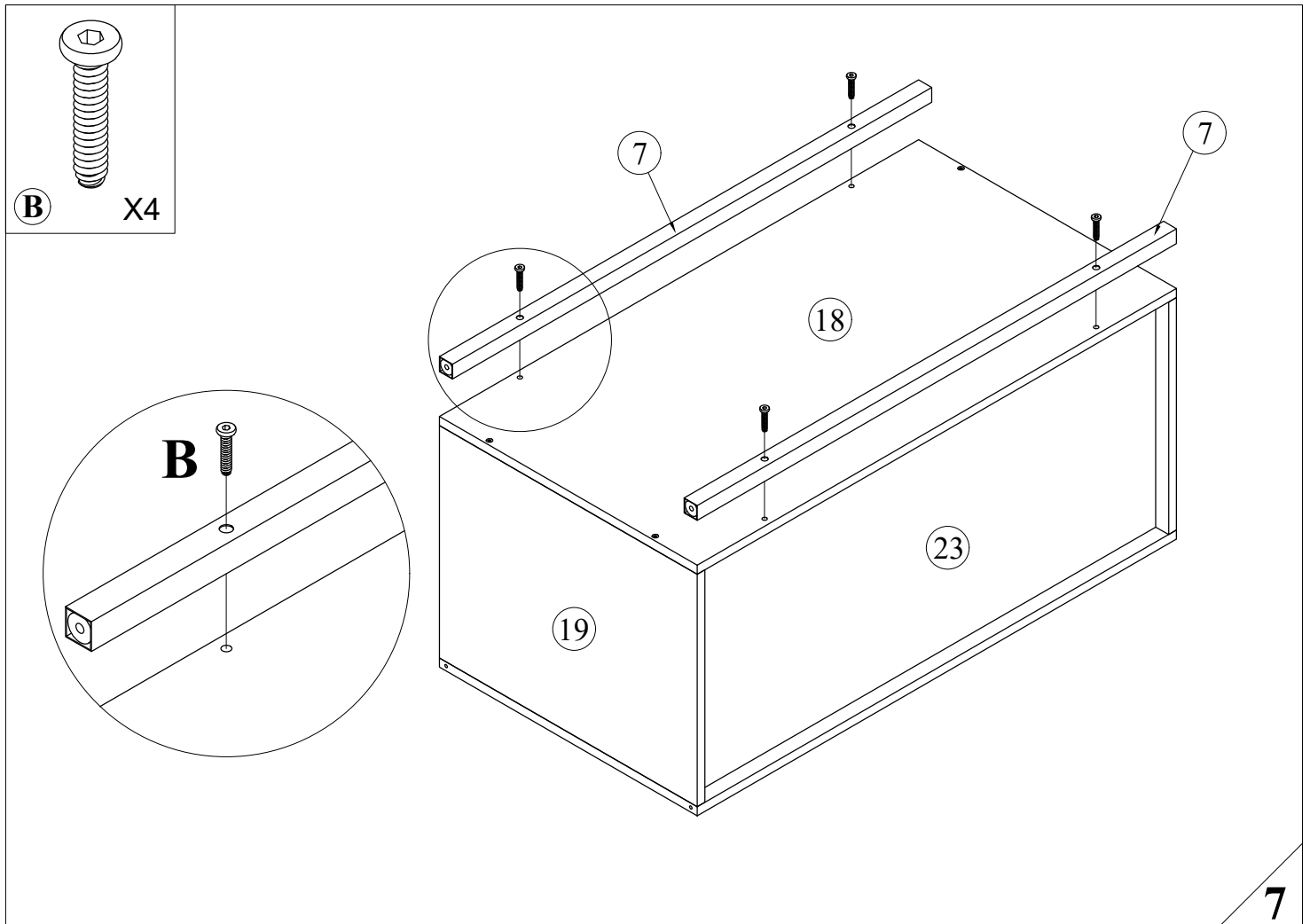
**B** X4

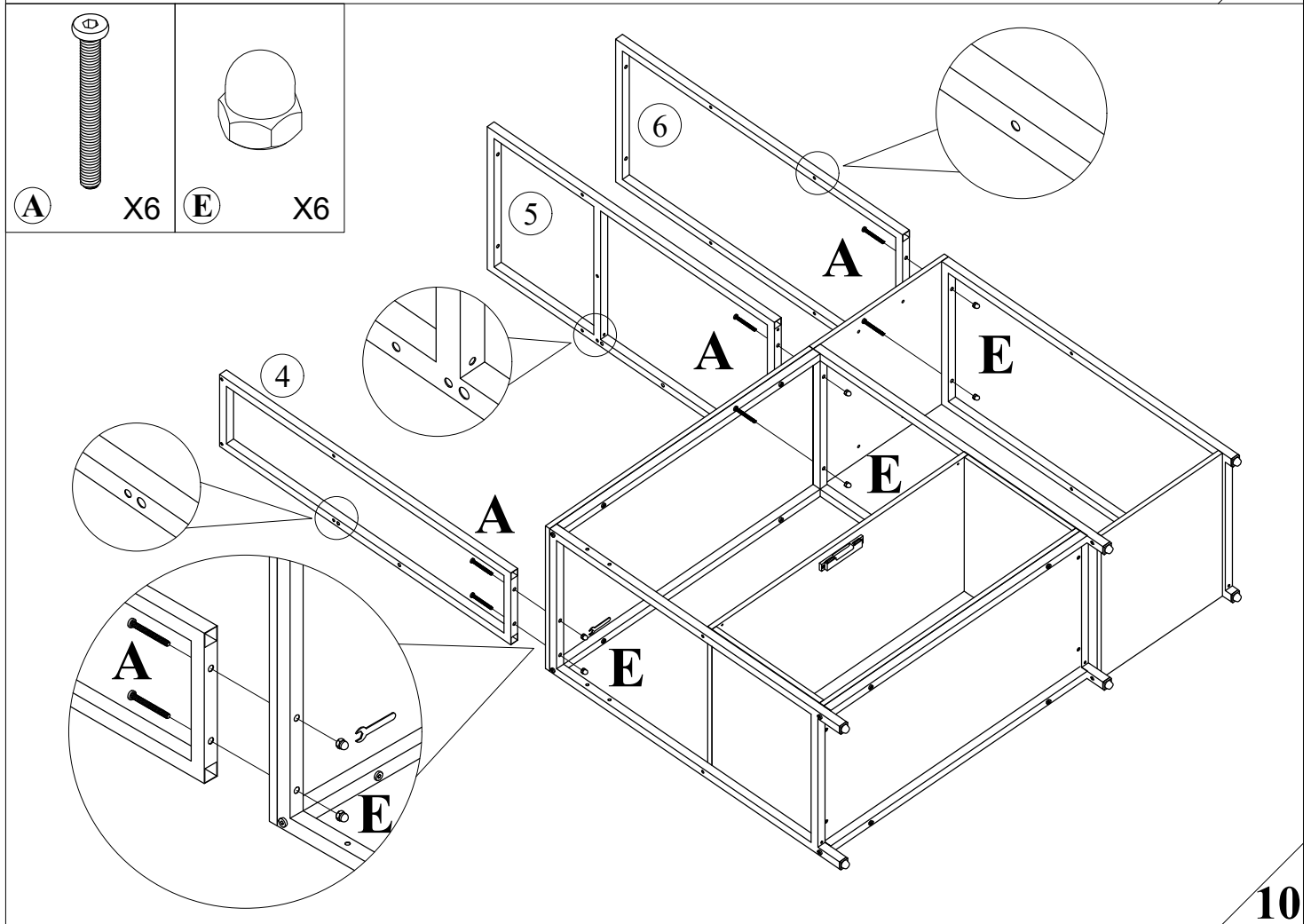
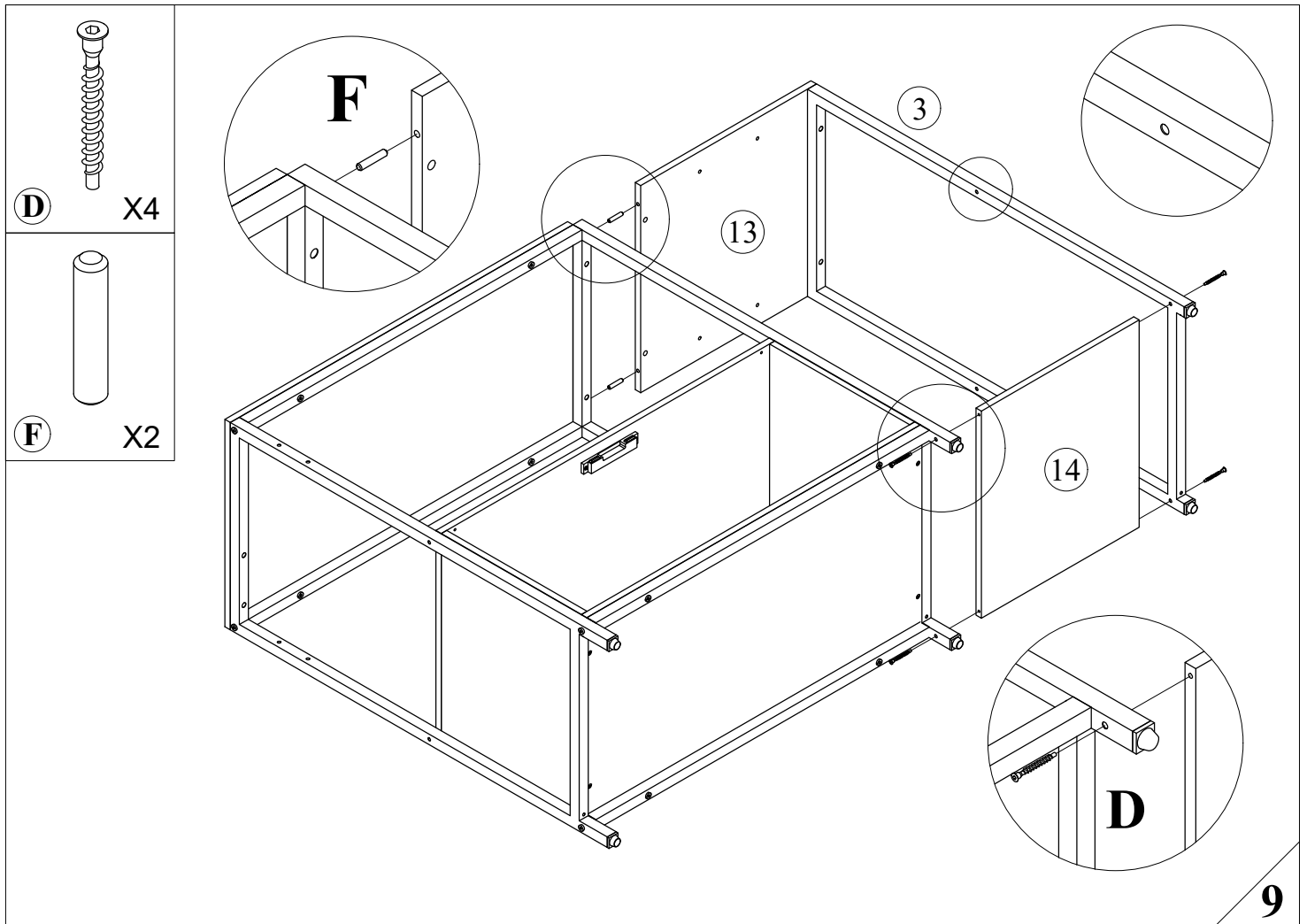


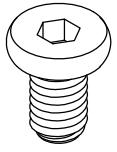
**2**



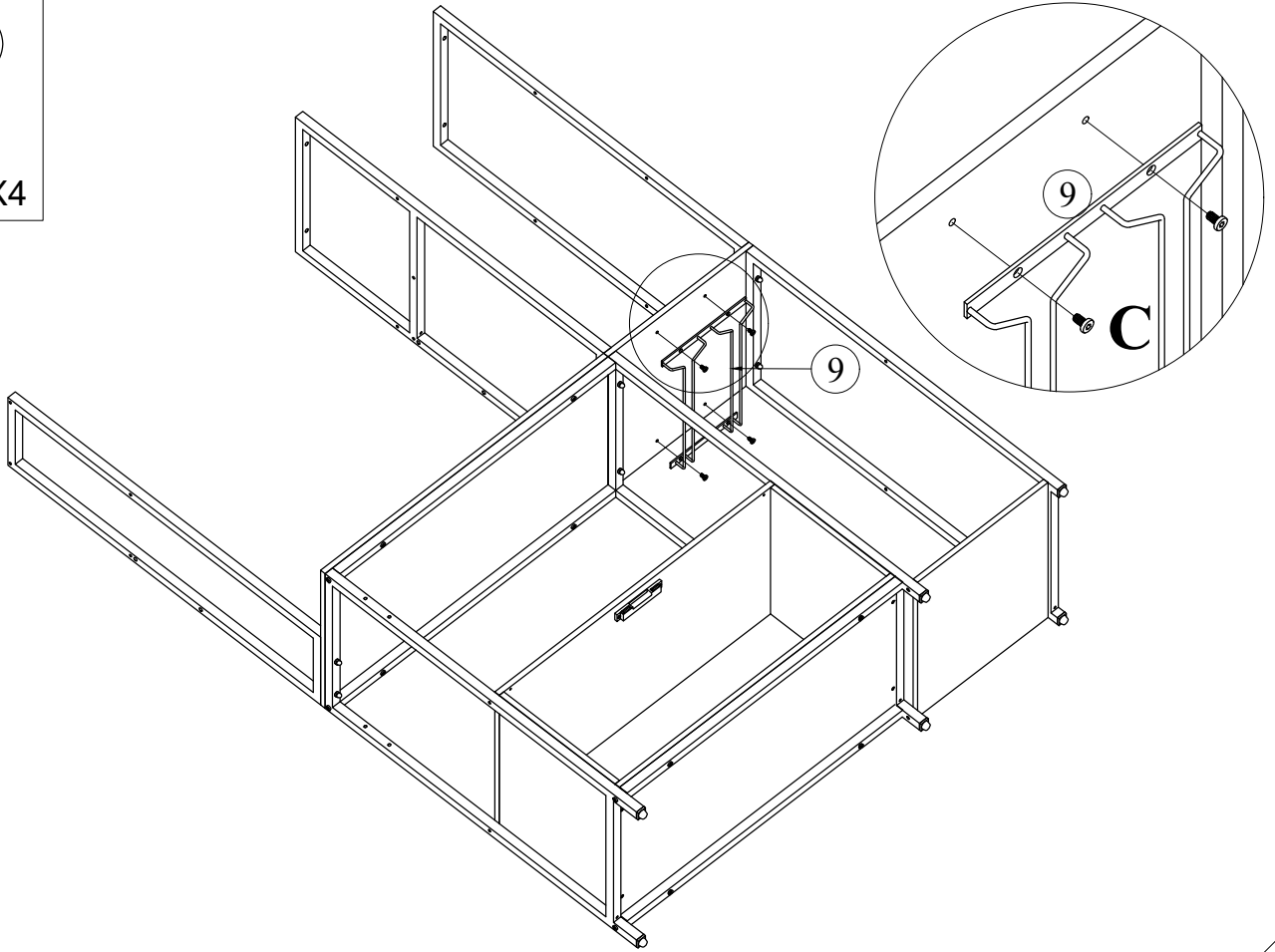




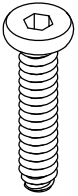




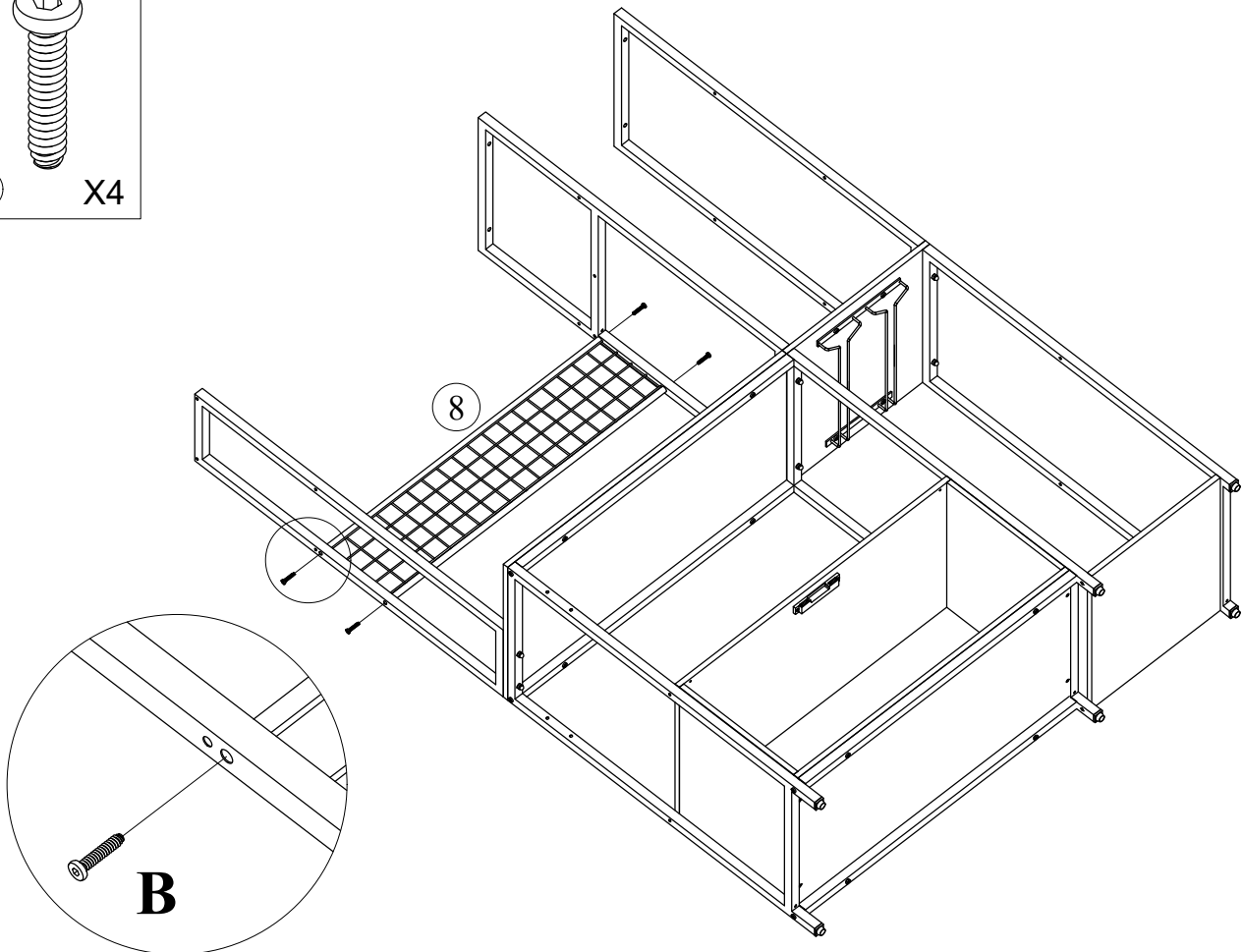
**C** X4



**11**



**B** X4

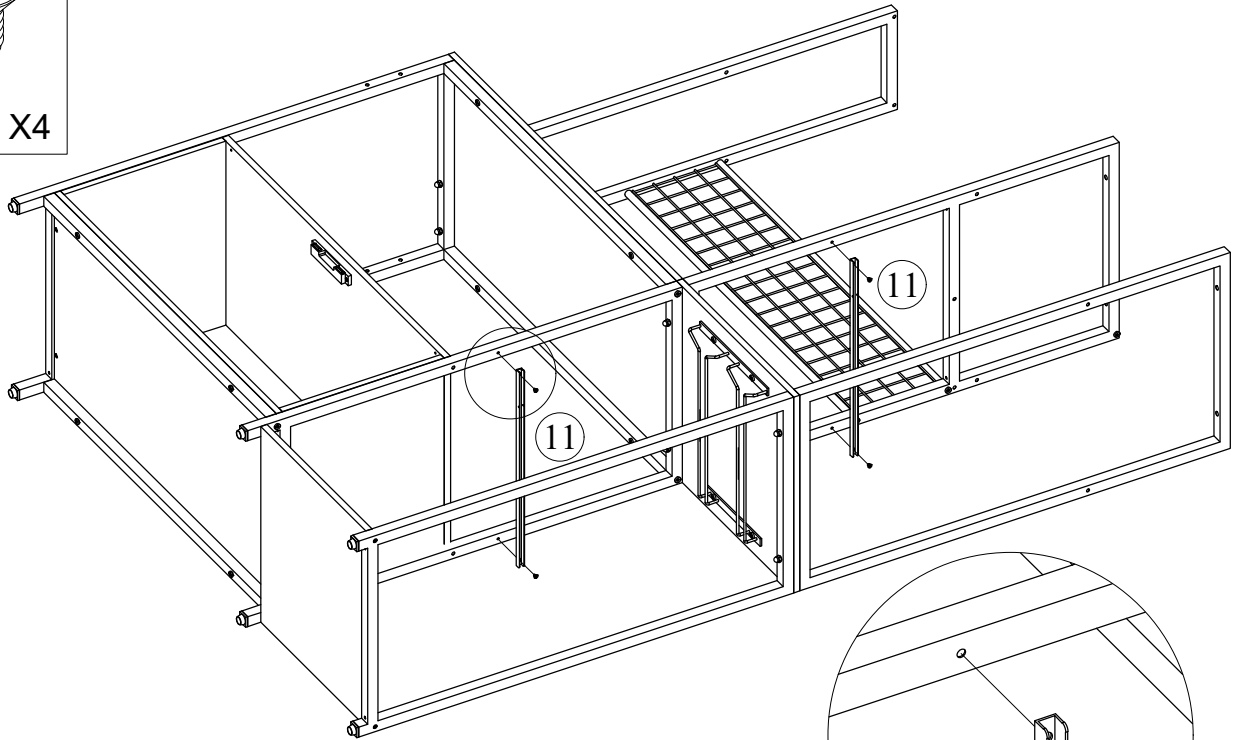


**12**



○

X4

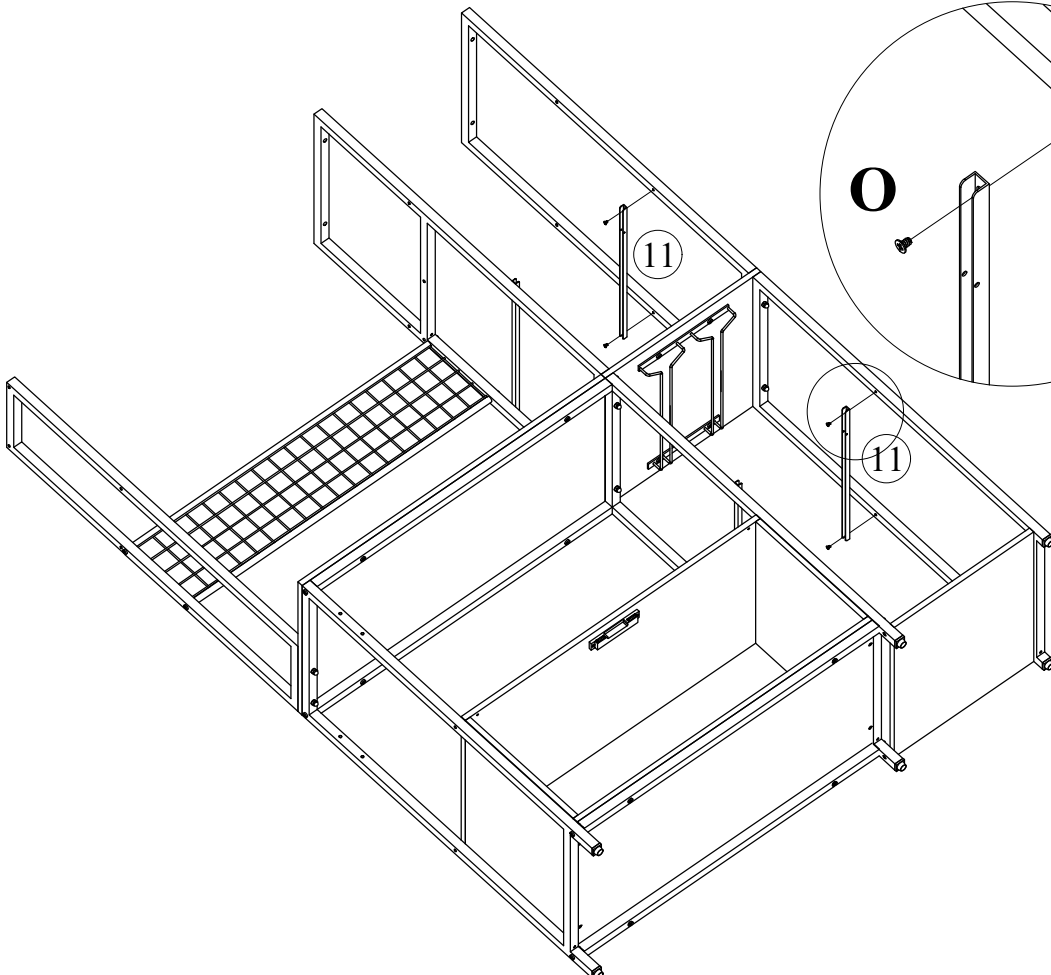


13

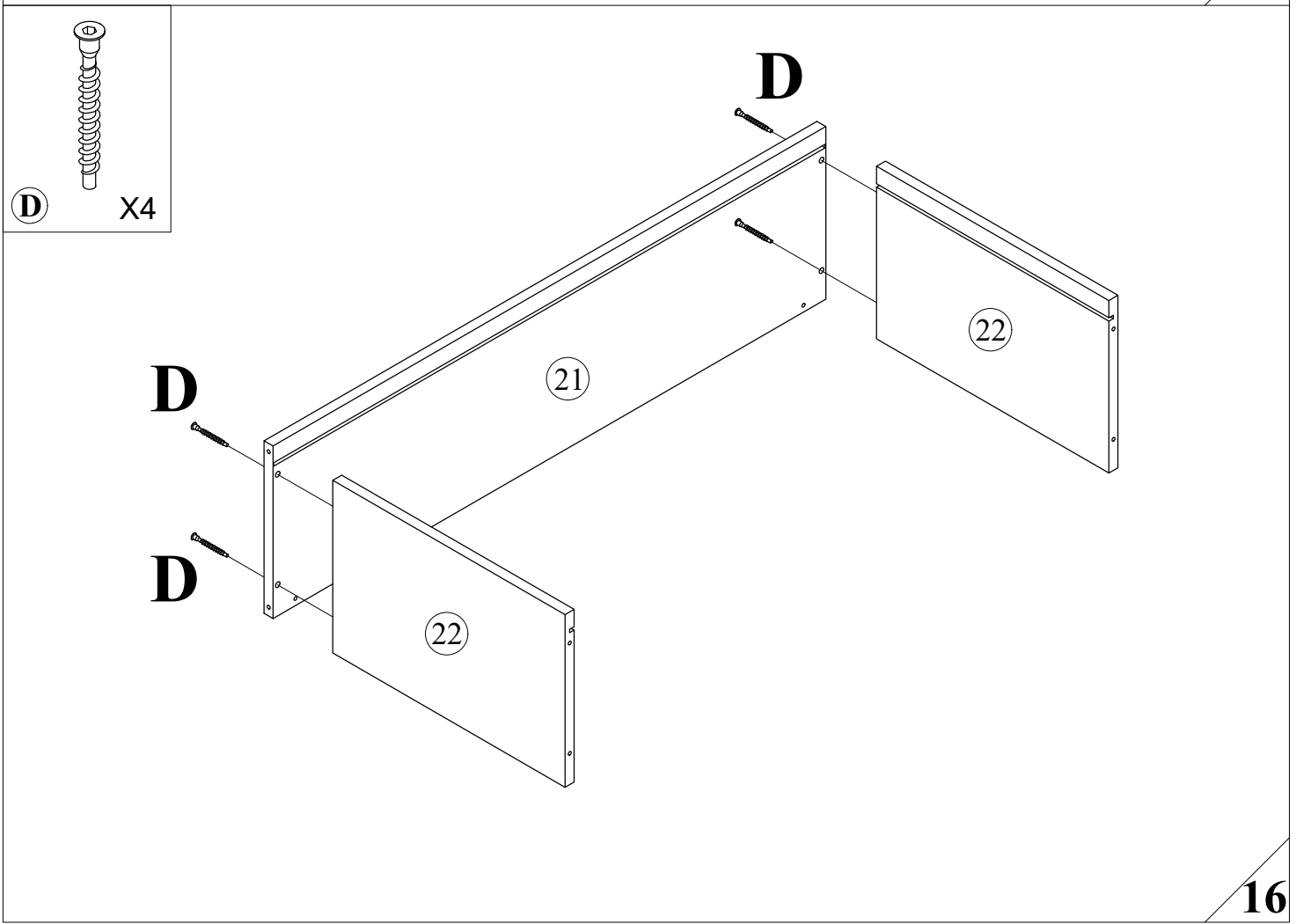
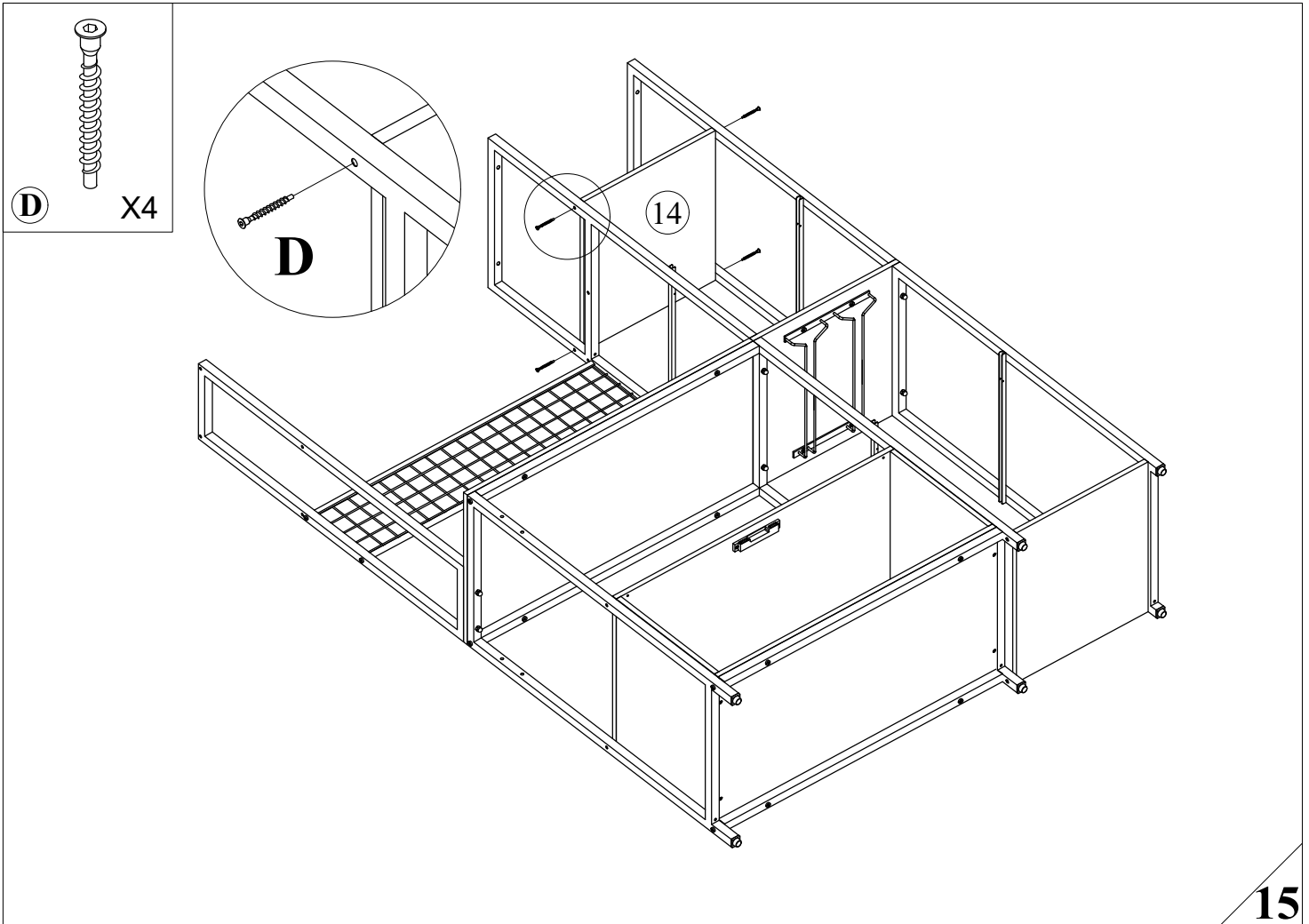


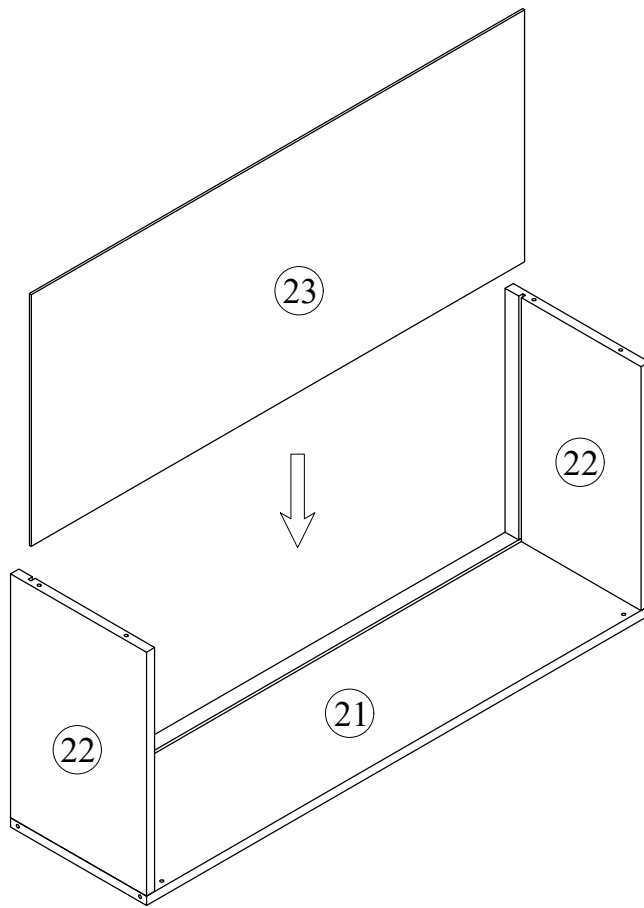
○

X4

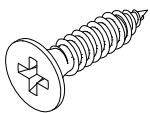
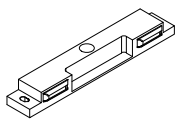


14





17

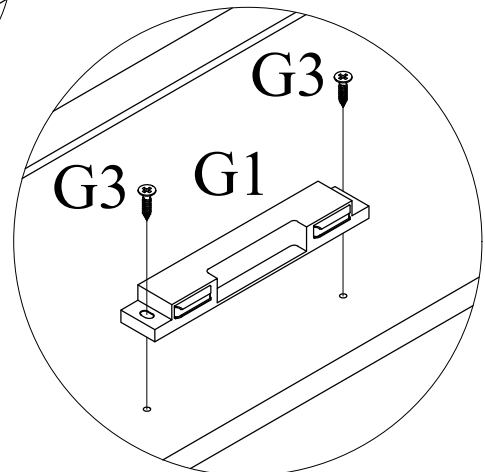
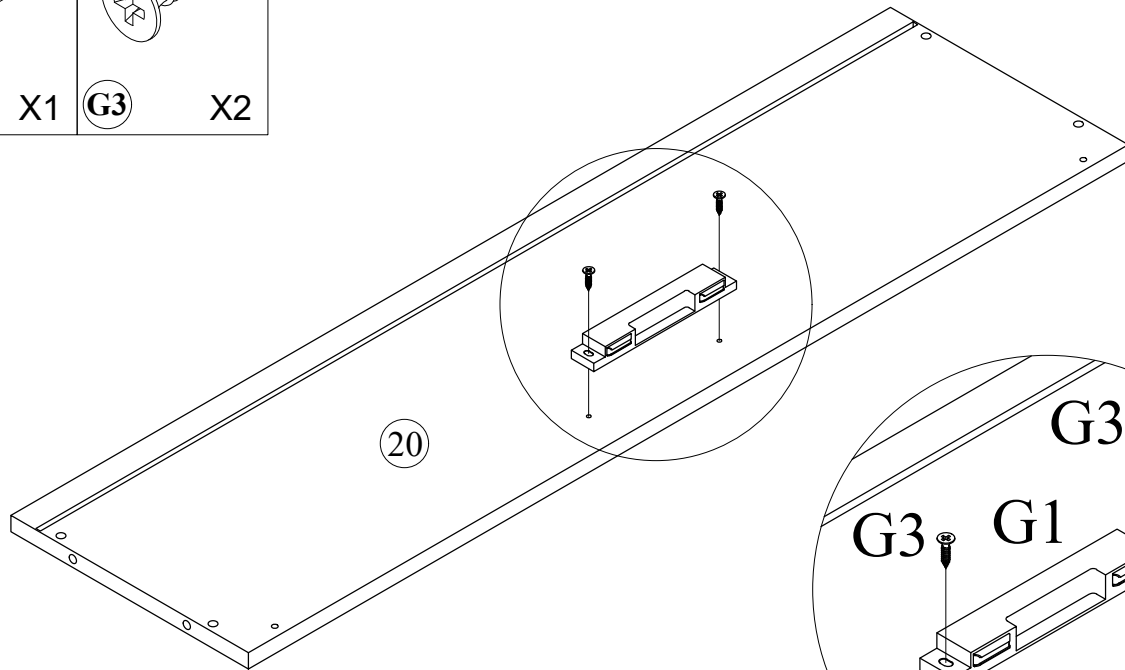


G1

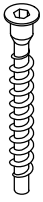
X1

G3

X2

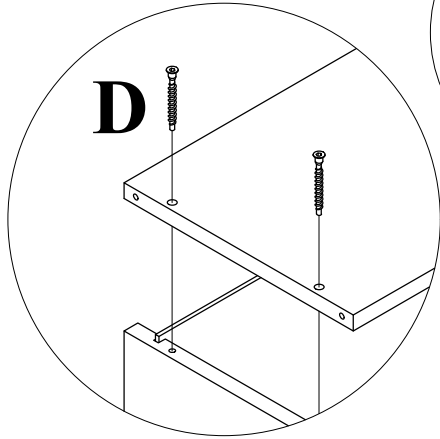


18

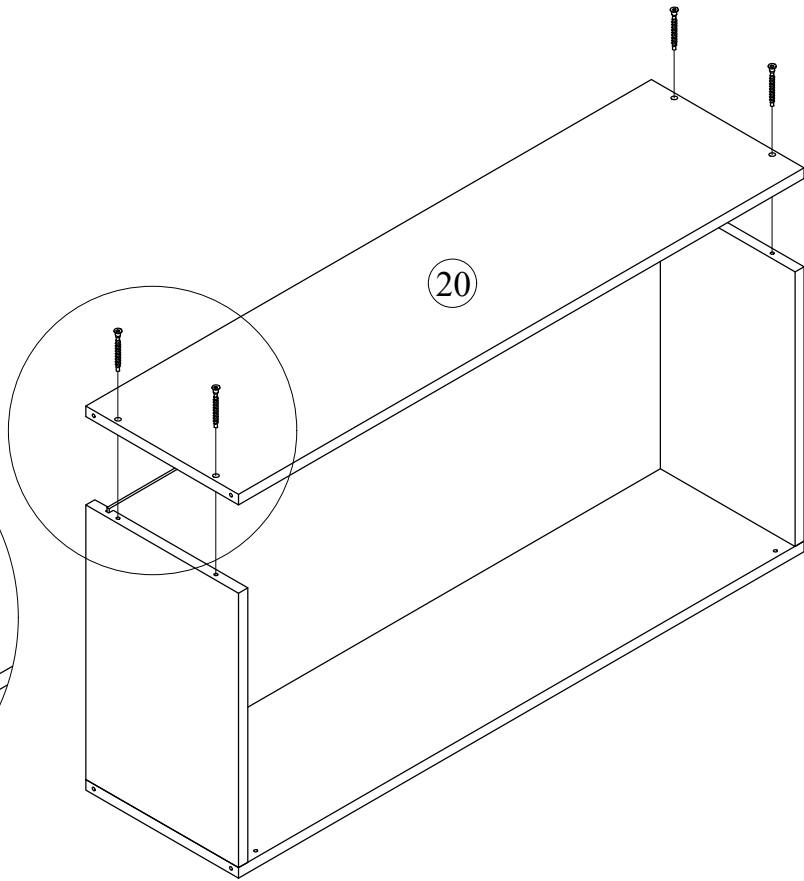


D

X4



D



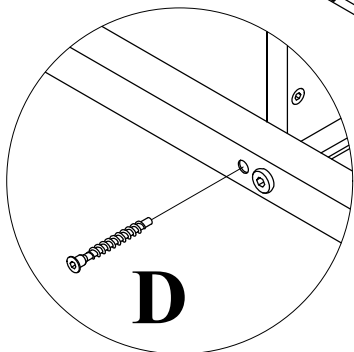
20

19

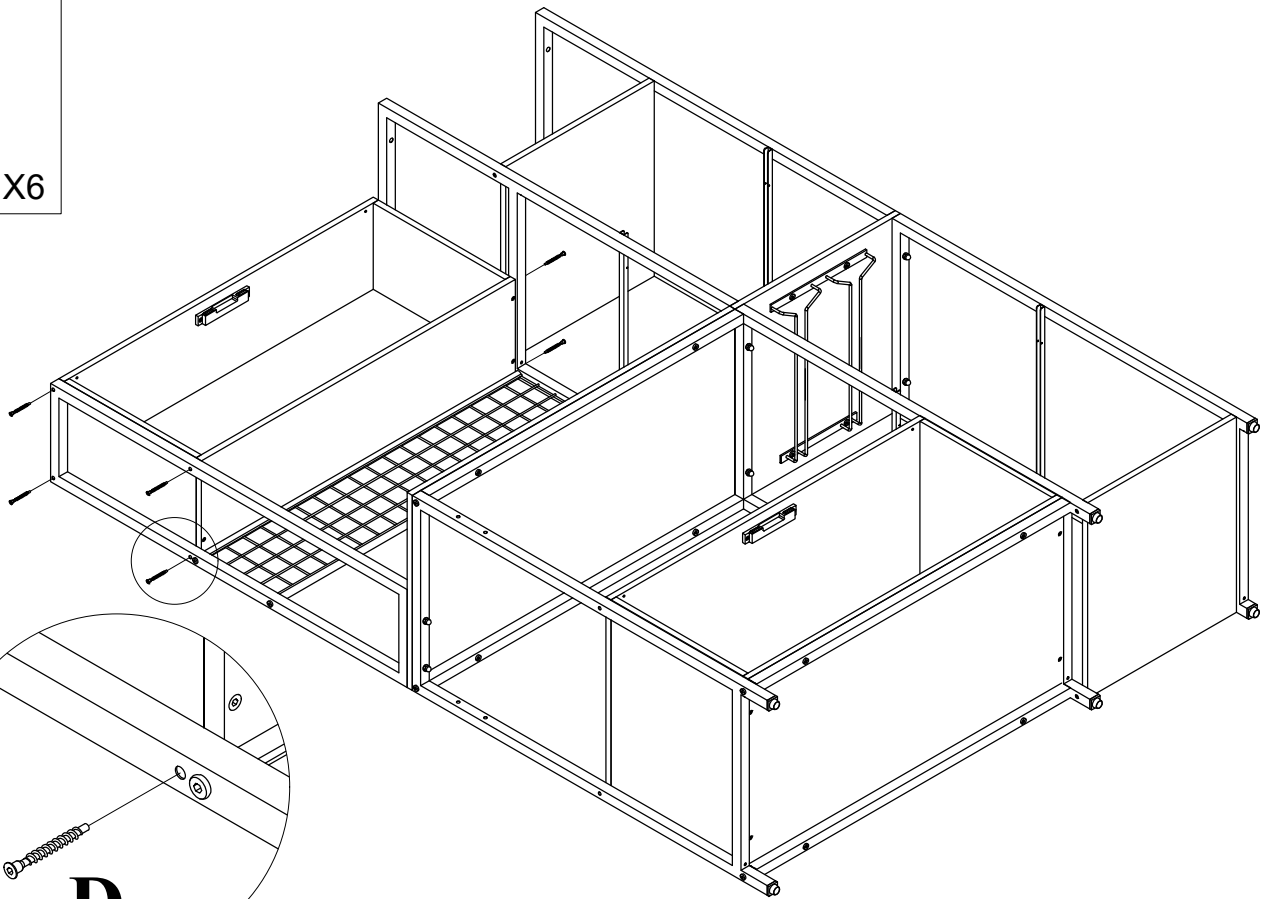


D

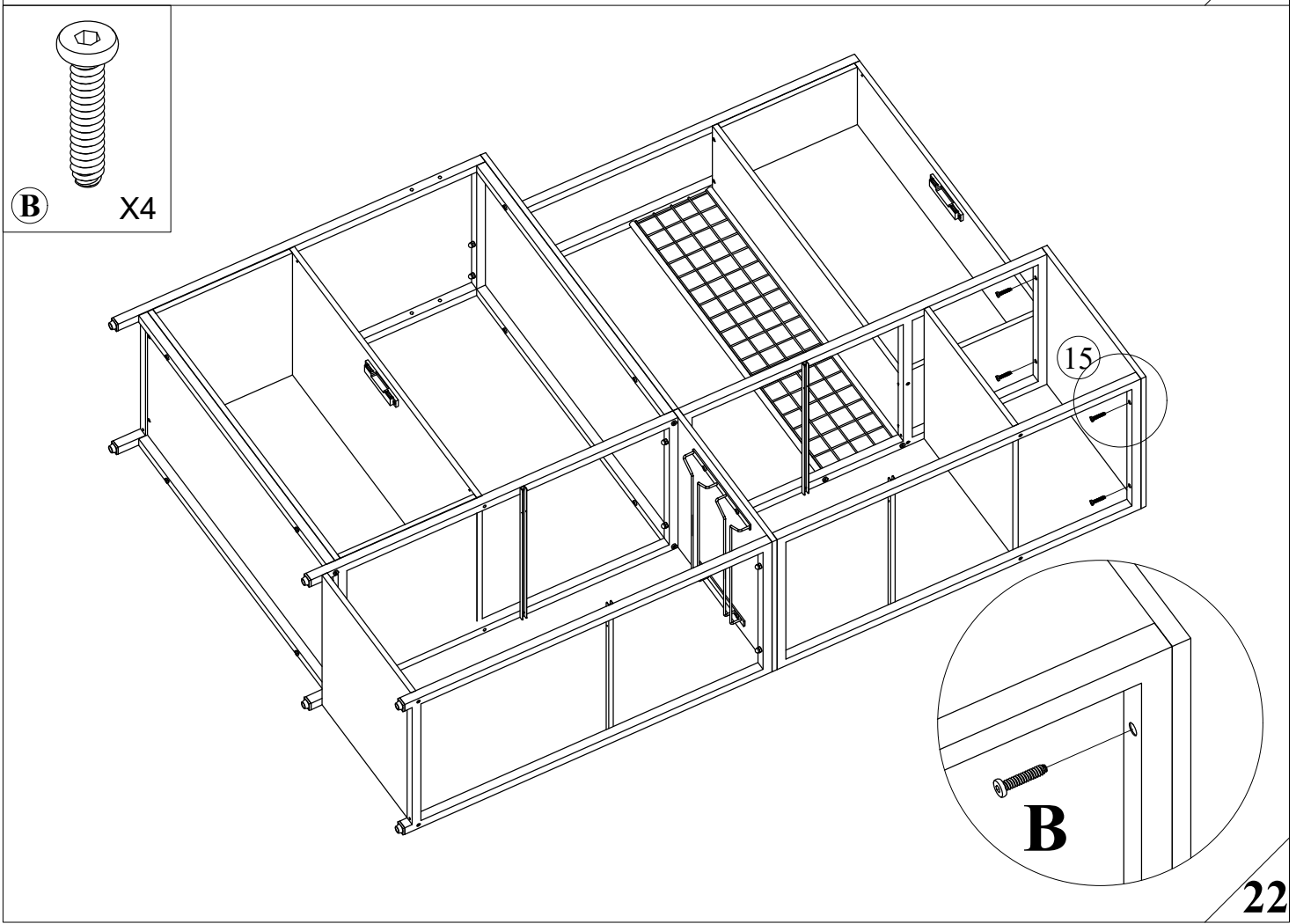
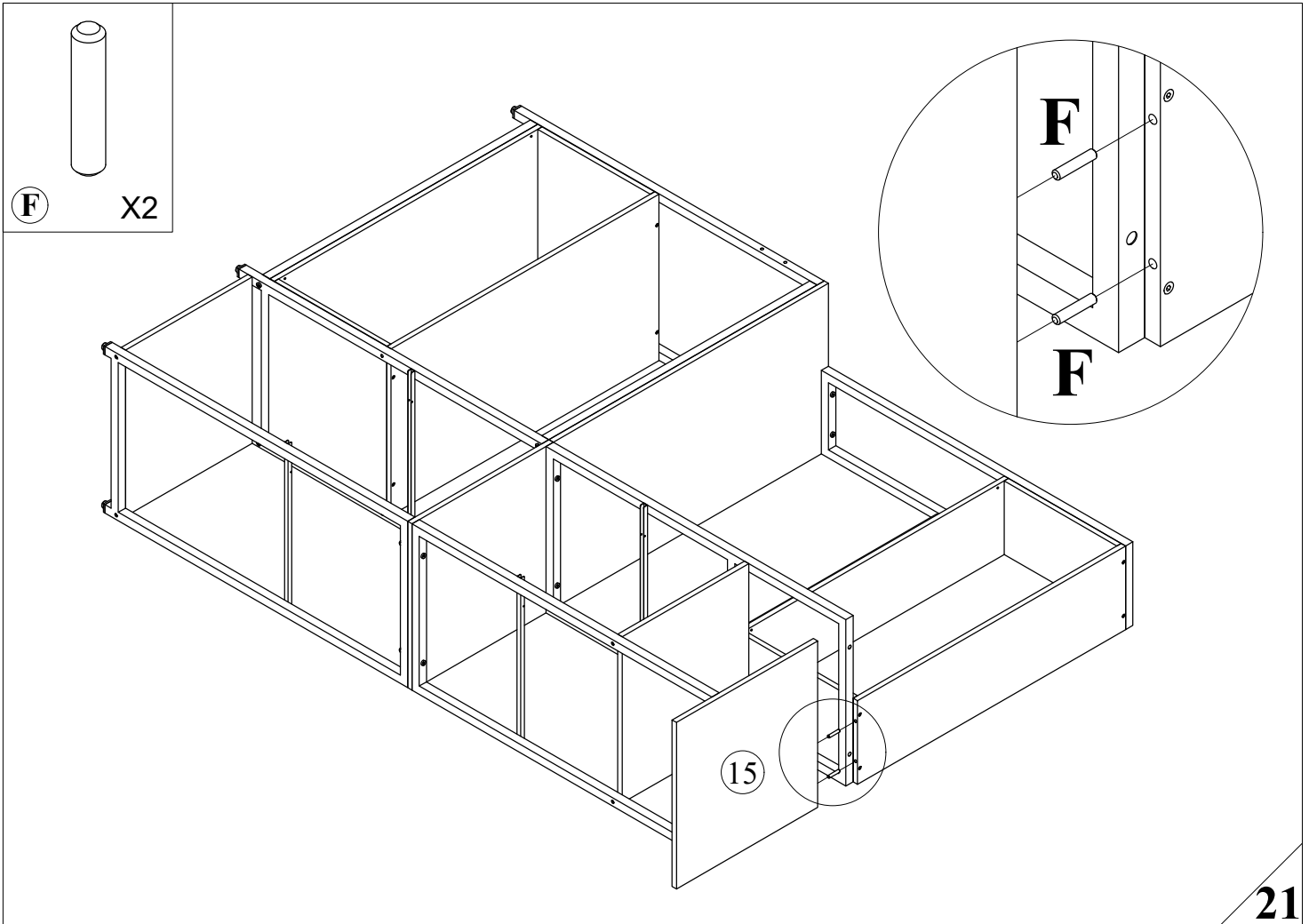
X6

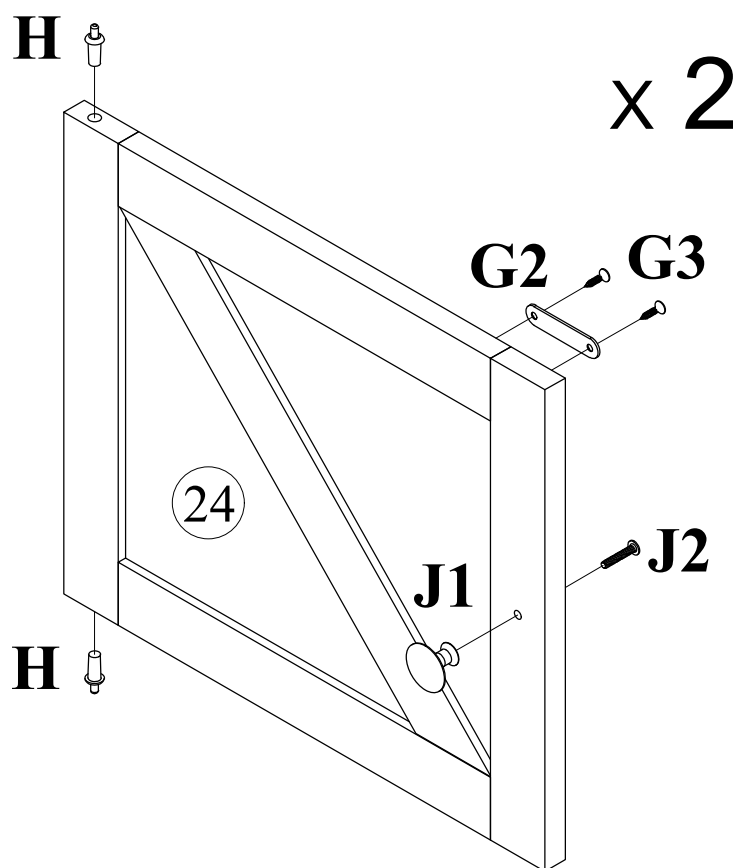
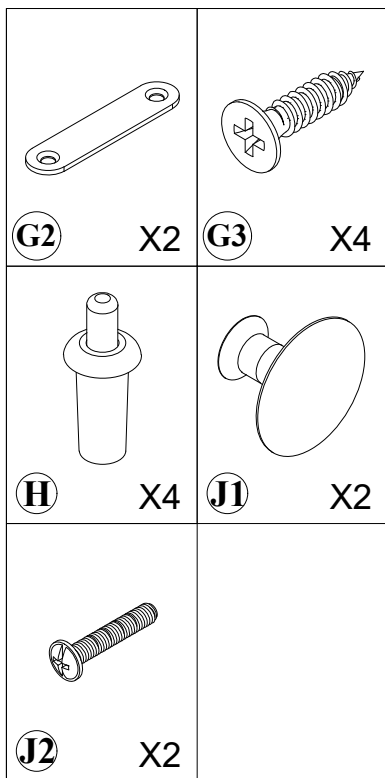


D

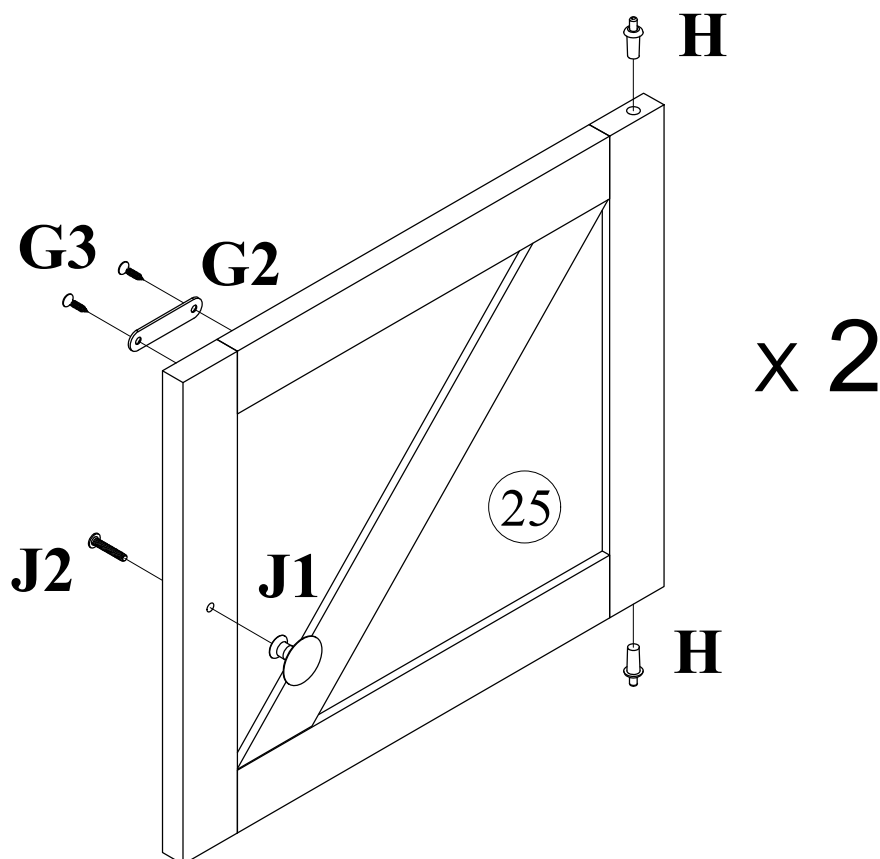
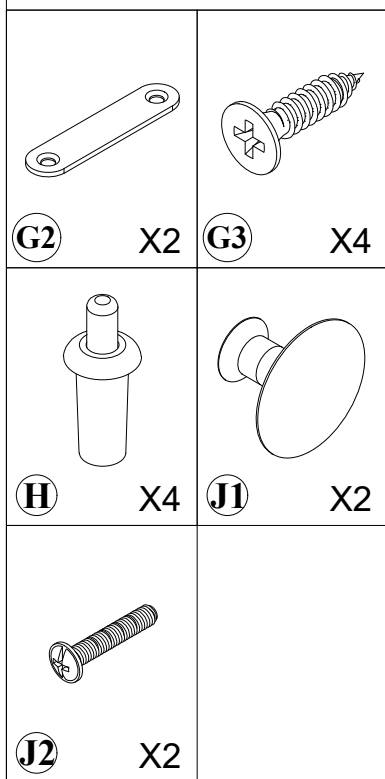


20

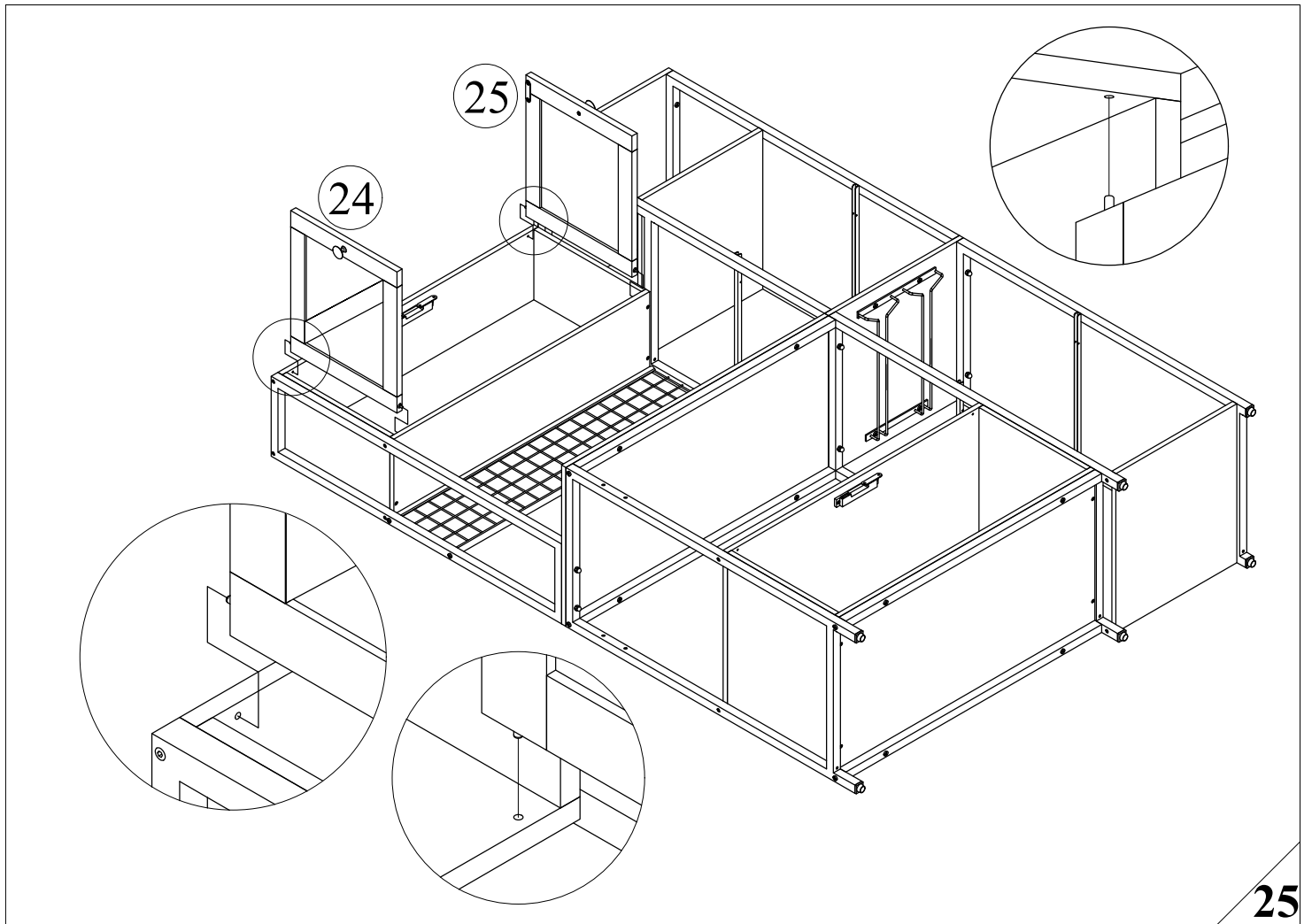




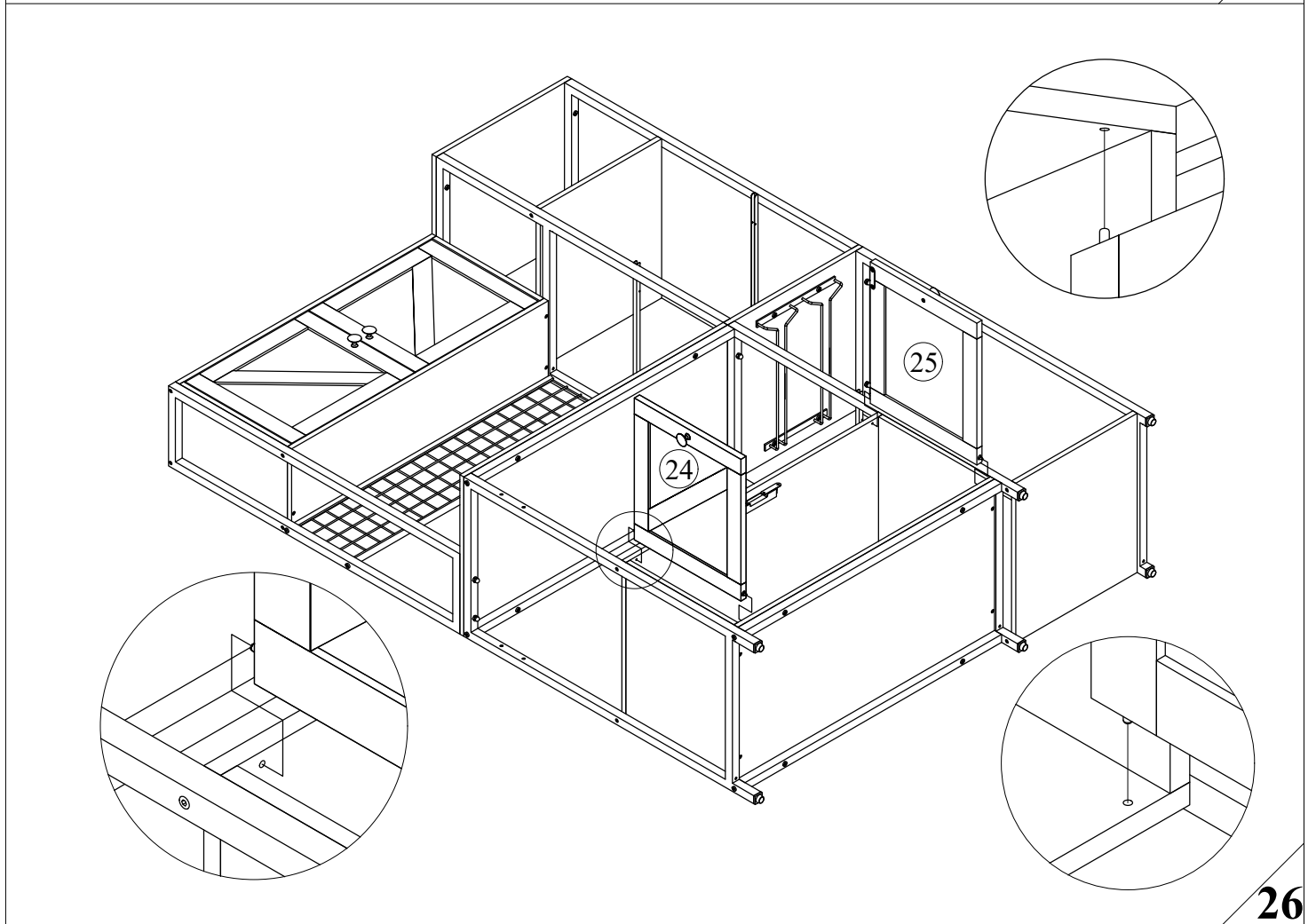
23



24



25



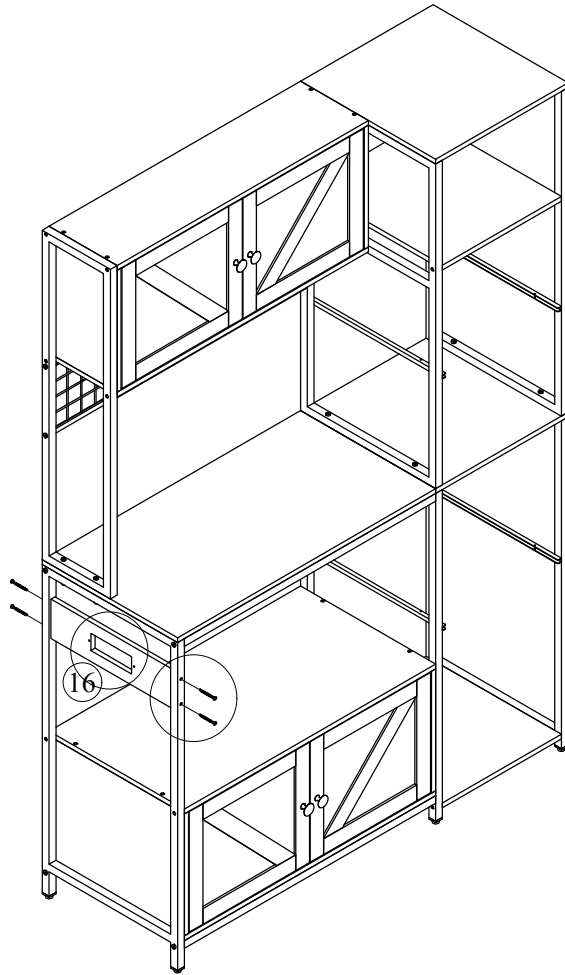
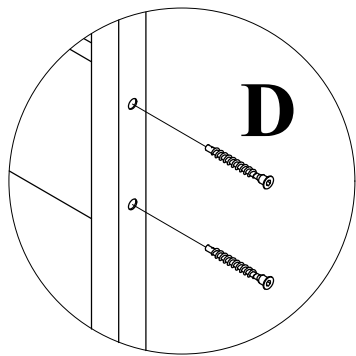
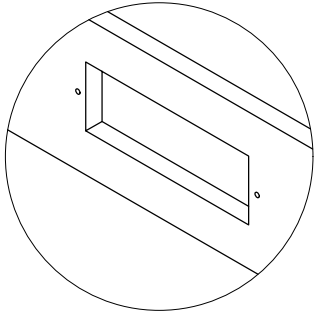
26

P16/18

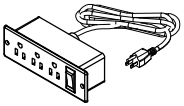


D

X4

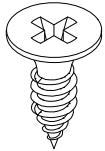


27



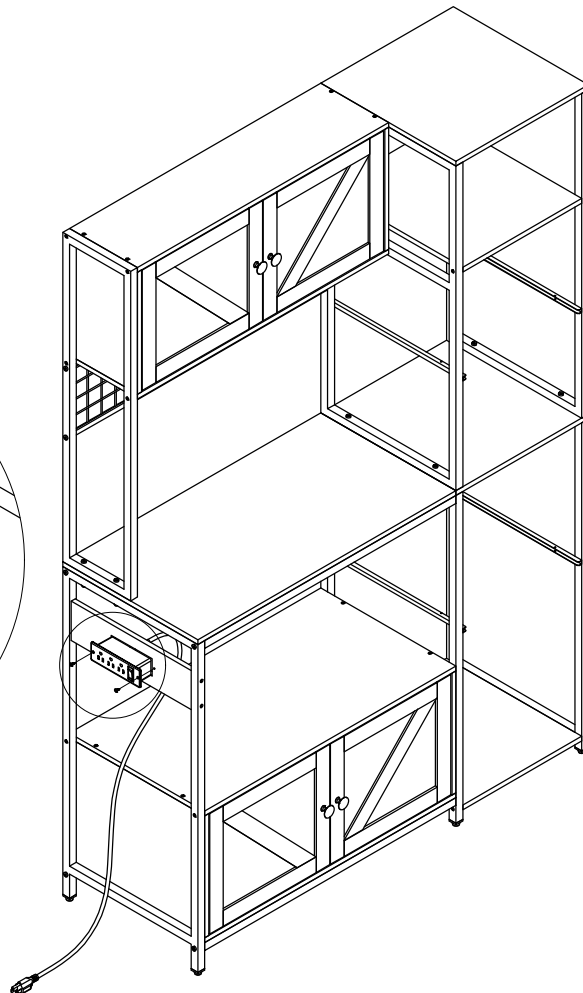
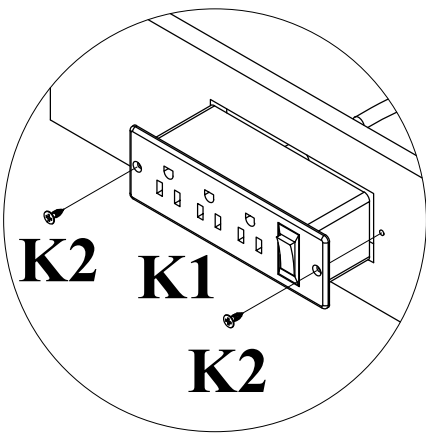
K1

X1



K2

X2



28

