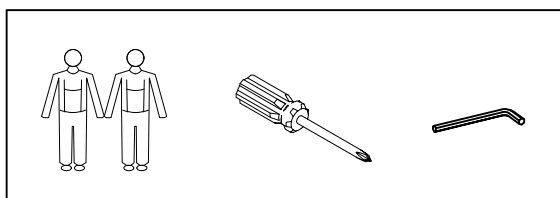
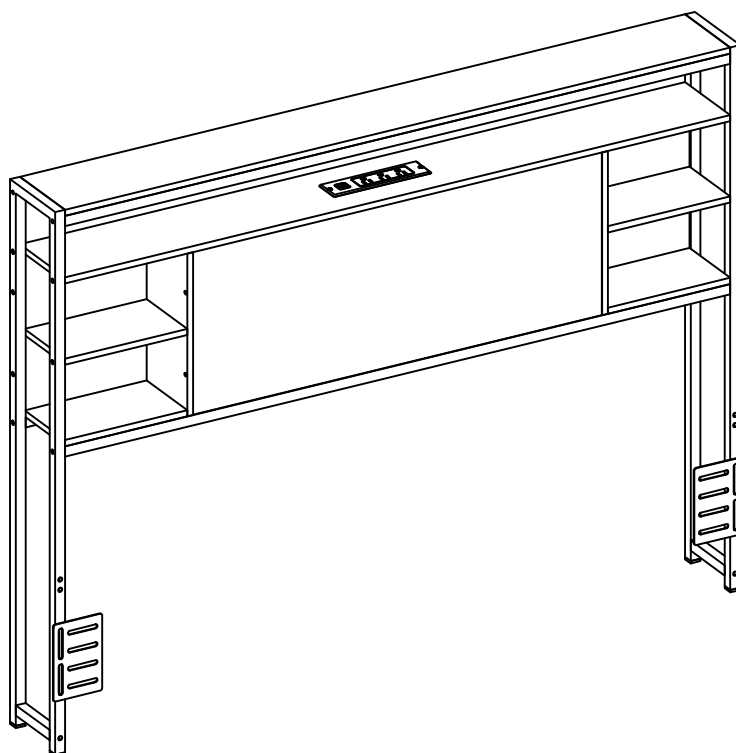


# HEADBOARD WITH LED LIGHT

## ASSEMBLY INSTRUCTION



### CAUTION

Put the screws in loosely until all pieces are together and then tighten them all.  
It will save your time if you make a mistake while installing.

Dear Customers,

## Thank you for purchasing our products.

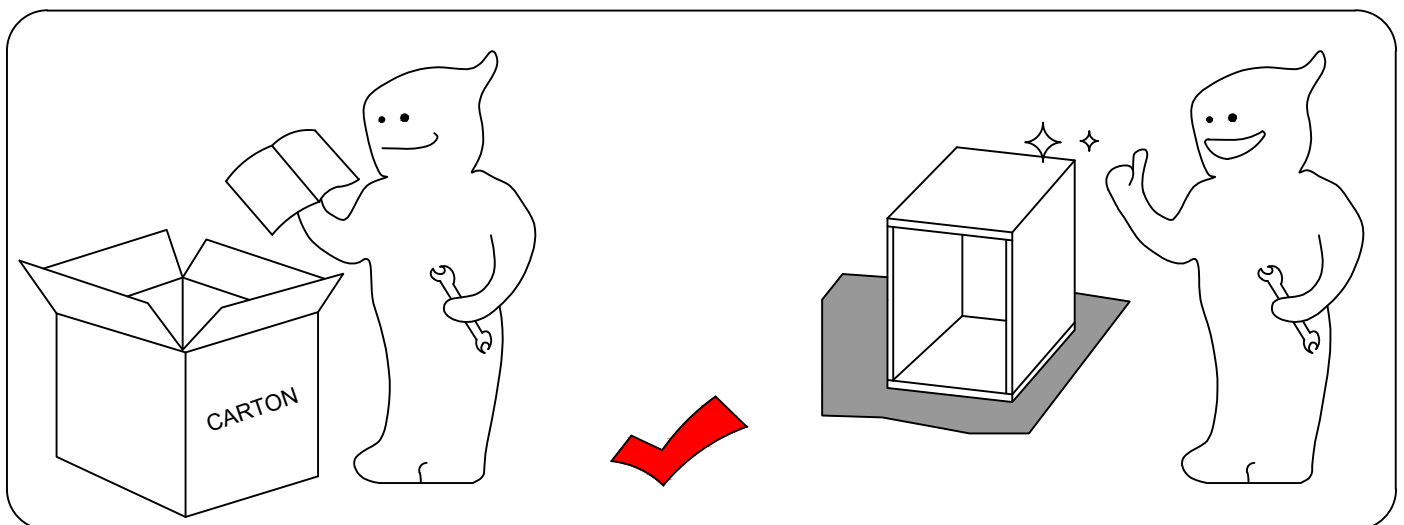
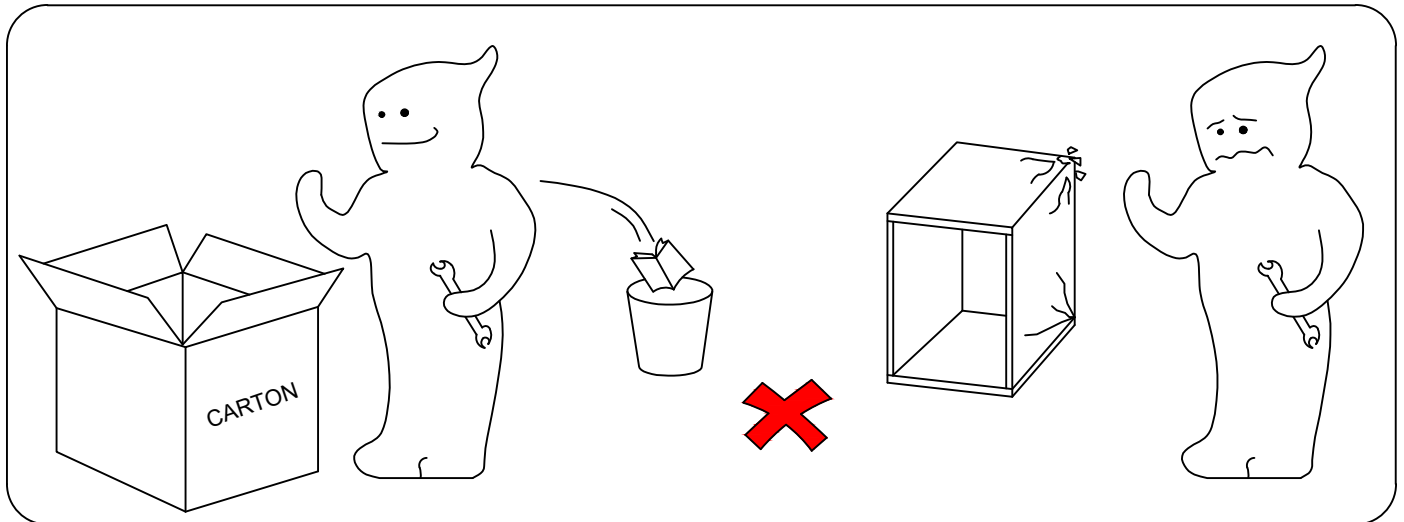
As a reliable seller, we have been pursuing to provide customers with 100% satisfied products and services, so we hope that you will enjoy this shopping experience.

If you find any damage, missing parts, or dissatisfaction after receiving the product, please contact us freely at the first time. We will provide you with a 100% satisfactory solution.

Thanks again for your order. Please feel free to contact us from our store or **the email address on the carton** in case of any problem regarding assembling or the product itself. We will do everything we can to resolve it.



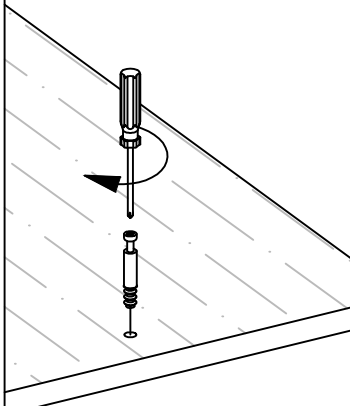
Please follow the instruction manuals and use a pad to protect the product during your assembly.



# Using Camlocks

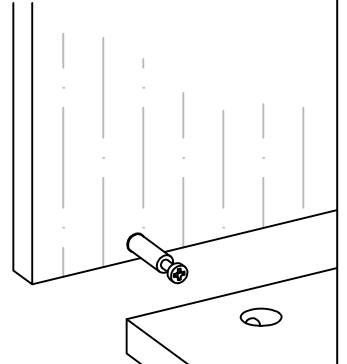
Connect the male camlock as directed in the assembly instructions using a screwdriver.

**1** DO NOT OVER TIGHTEN



Push the male camlock into the entry hole.

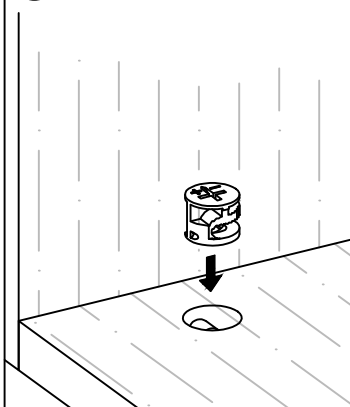
**2**



Insert the female camlock as shown in the instruction.

Note: ensure that the arrow on the top of the camlock points toward the entry hole for the male camlock.

**3**

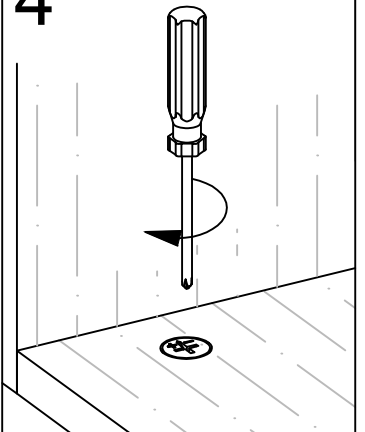


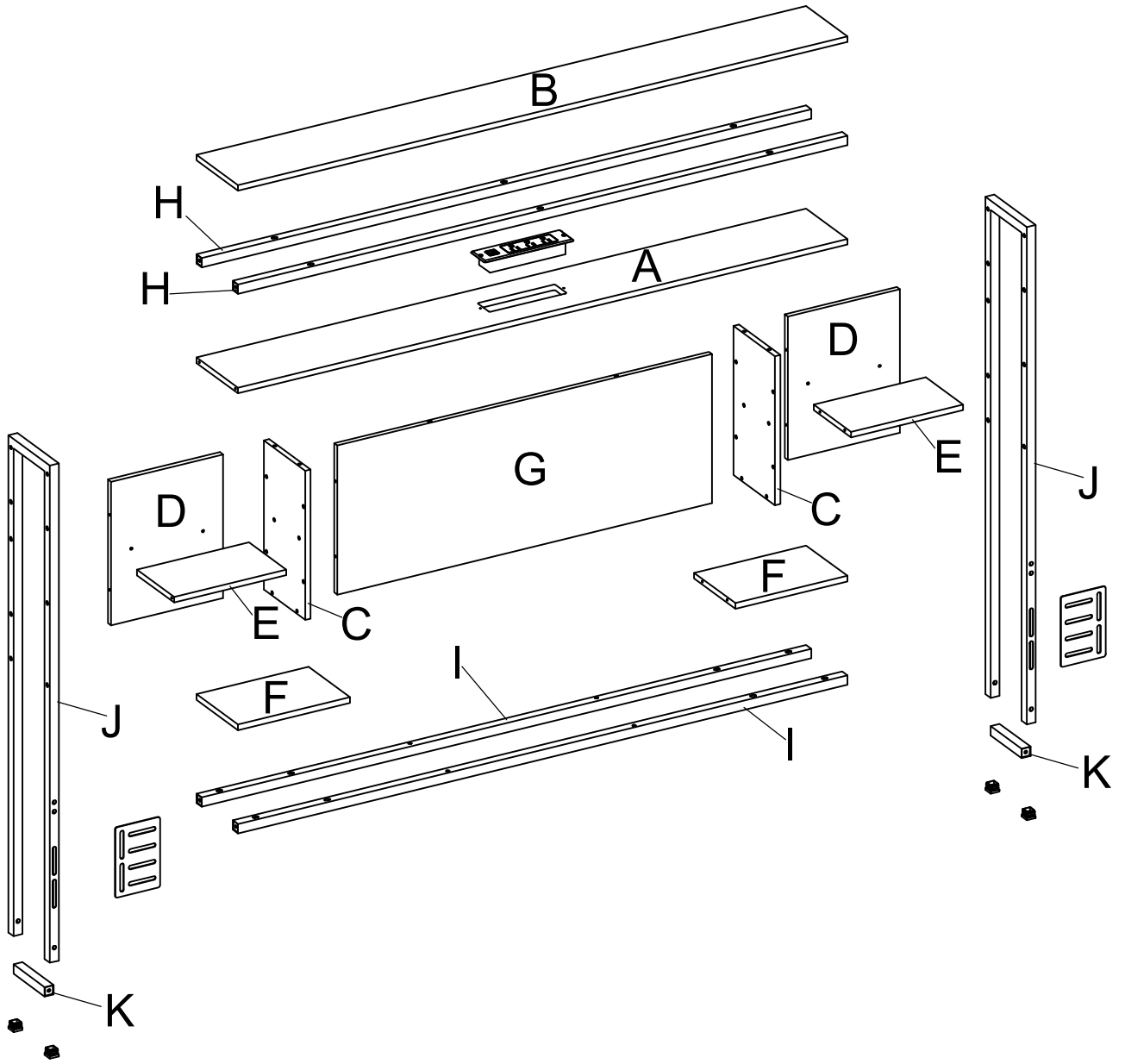
Turn the female camlock clockwise with a screwdriver.

You should feel a click when the camlock is locked in place.

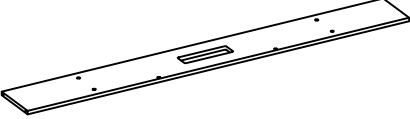
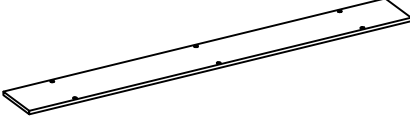
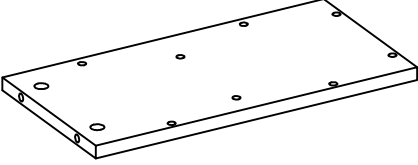
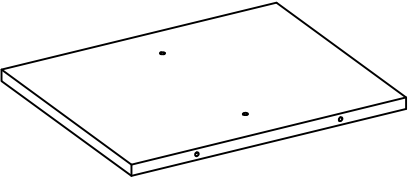
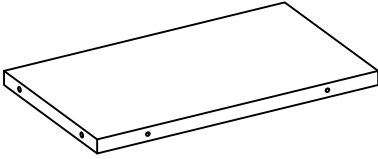
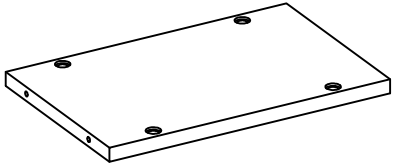
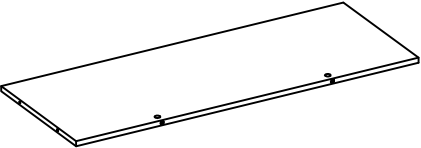


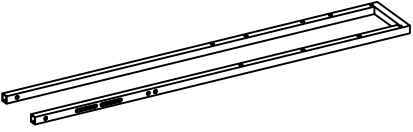
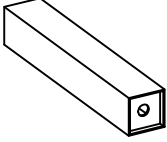
The joint is now secure.

**4**

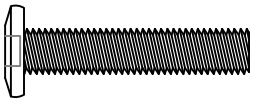

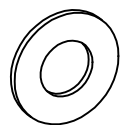
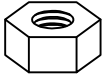
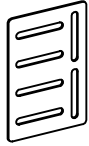



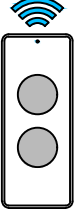
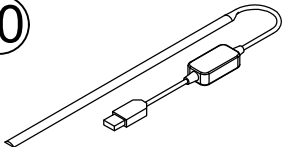


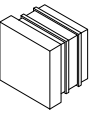
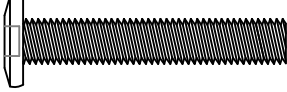

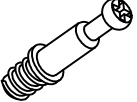

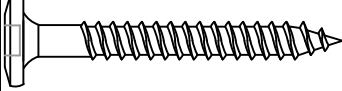


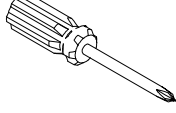





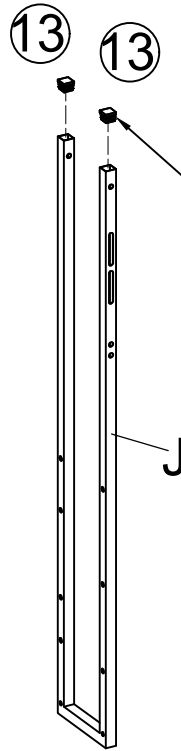
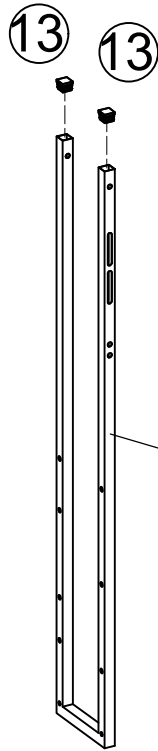
PART LIST

<p><b>A</b></p>  <p>1 pc</p>	<p><b>B</b></p>  <p>1 pc</p>	<p><b>C</b></p>  <p>2 pcs</p>
<p><b>D</b></p>  <p>2 pcs</p>	<p><b>E</b></p>  <p>2 pcs</p>	<p><b>F</b></p>  <p>2 pcs</p>
<p><b>G</b></p>  <p>1 pc</p>	<p><b>H</b></p>  <p>2 pcs</p>	<p><b>I</b></p>  <p>2 pcs</p>
<p><b>J</b></p>  <p>2 pcs</p>	<p><b>K</b></p>  <p>2 pcs</p>	

## HARDWARE LIST

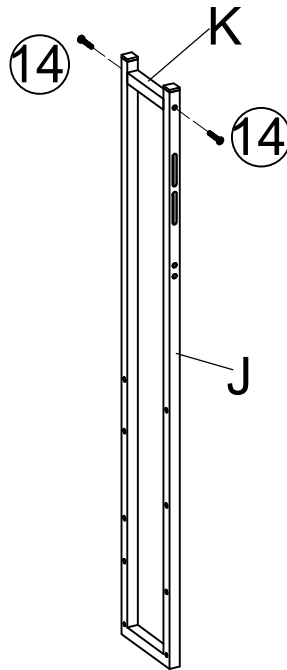
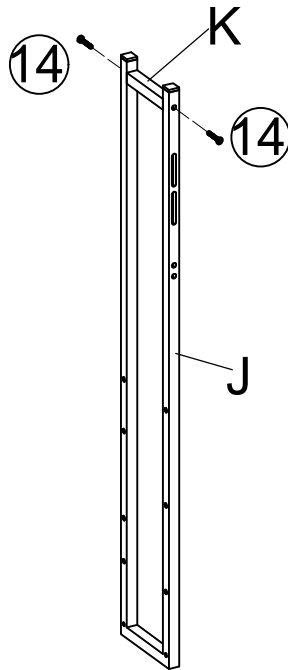
<p>①</p>  <p>M6x30      4 pcs</p>	<p>②</p>  <p>M6x55      4 pcs</p>	<p>③</p>  <p>M6x16x1.0      16 pcs</p>	
<p>④</p>  <p>8 pcs</p>	<p>⑤</p>  <p>2 pcs</p>	<p>⑥</p>  <p>10mm      1 pc</p>	<p>⑦</p>  <p>M3x12      16 pcs</p>
<p>⑧</p>  <p>1 pc</p>	<p>⑨</p>  <p>RF Remote Control 1 pc</p>	<p>⑩</p>  <p>Twin: 80cm Full: 120cm      1 pc</p>	<p>⑪</p>  <p>3 pcs</p>
<p>⑫</p>  <p>8 pcs</p>	<p>⑬</p>  <p>20x20      4 pcs</p>	<p>⑭</p>  <p>M6x35      12 pcs</p>	<p>⑮</p>  <p>M6x27      14 pcs</p>
<p>⑯</p>  <p>M6x28      6 pcs</p>	<p>⑰</p>  <p>Ø12      6 pcs</p>	<p>⑱</p>  <p>M5x45      24 pcs</p>	<p>⑲</p>  <p>M4x30      4 pcs</p>
<p>⑳</p>  <p>M4      1 pc</p>	<p>㉑</p>  <p>1 pc</p>	<p>㉒</p>  <p>M6x40      4 pcs</p>	

STEP 1



*Please use a hammer or solid tools (not included) to knock the footpads into the frame.*

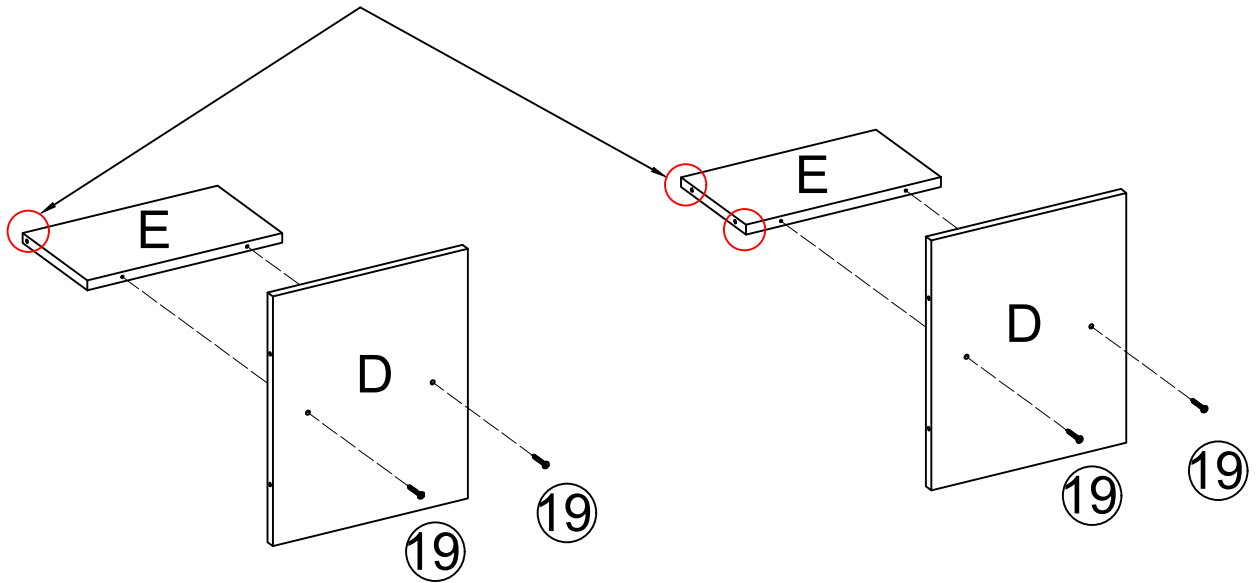
STEP 2




STEP 3

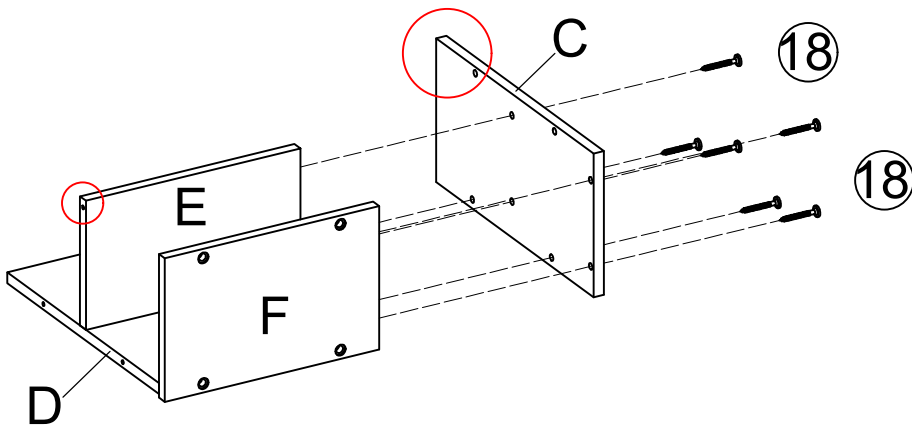
19  x4

Keep the holes of the Part E toward this direction as shown

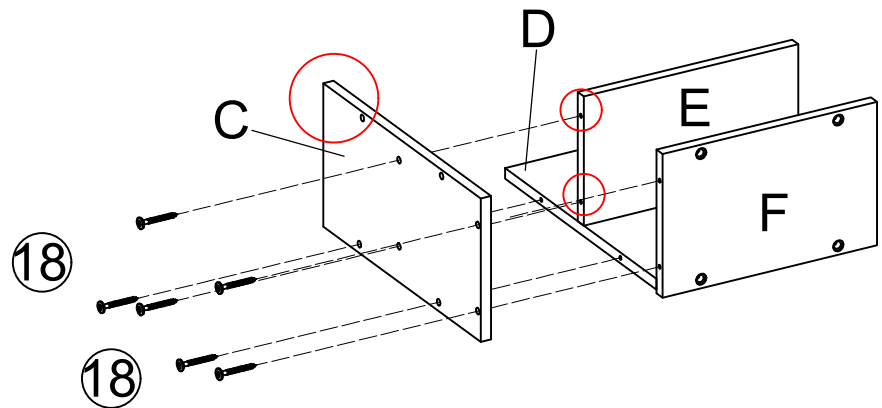


STEP 4

18  x12



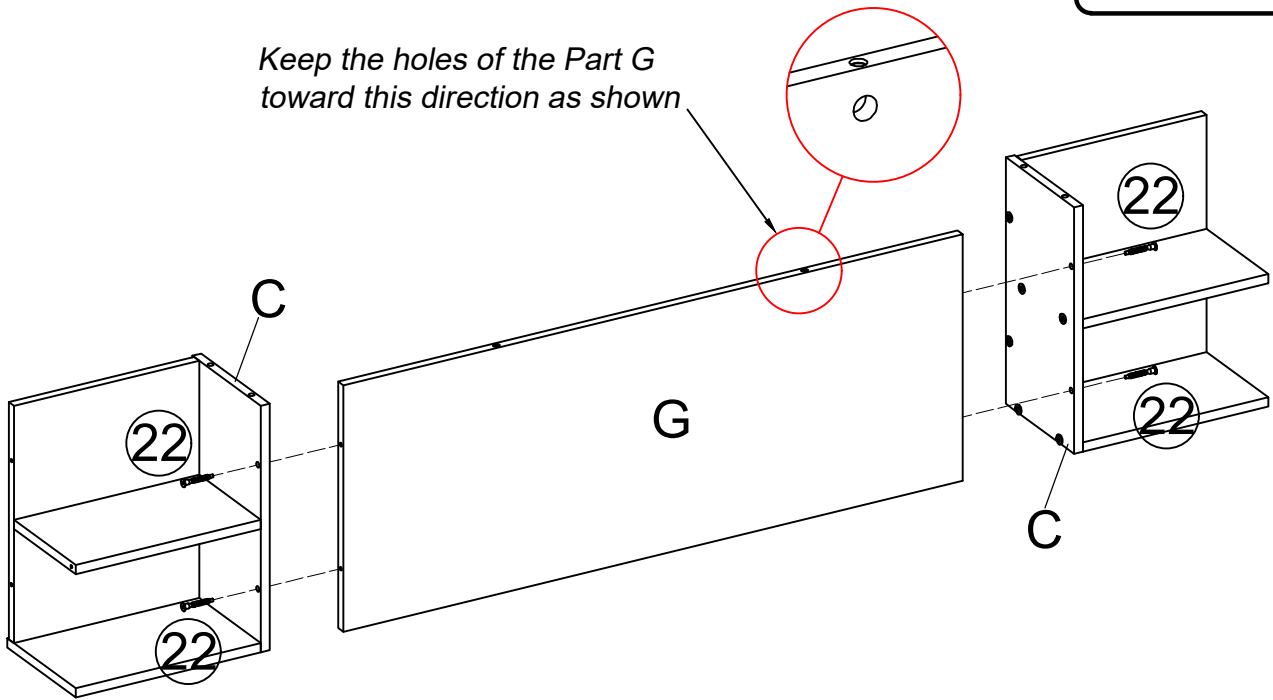
Keep the holes of the Part C and Part E toward this direction as shown



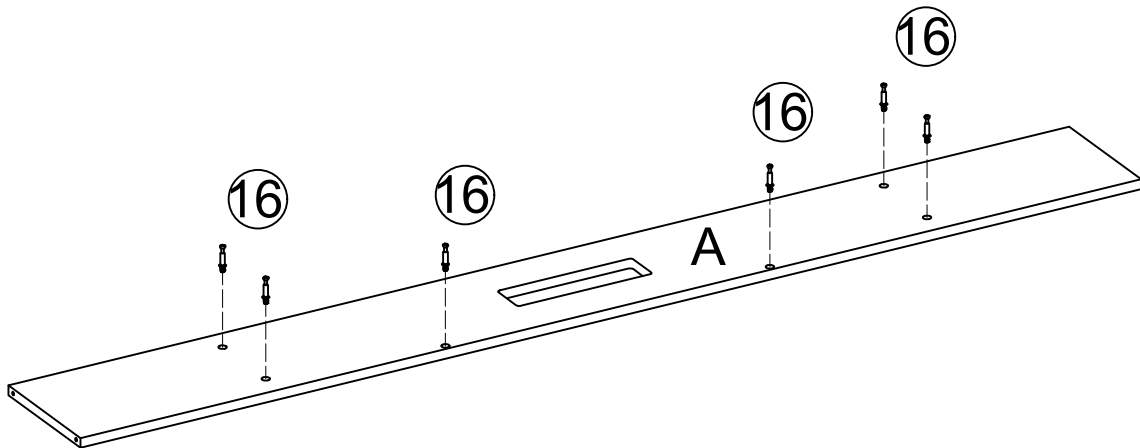
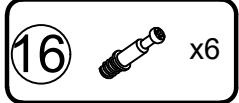
STEP 5



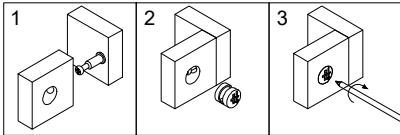
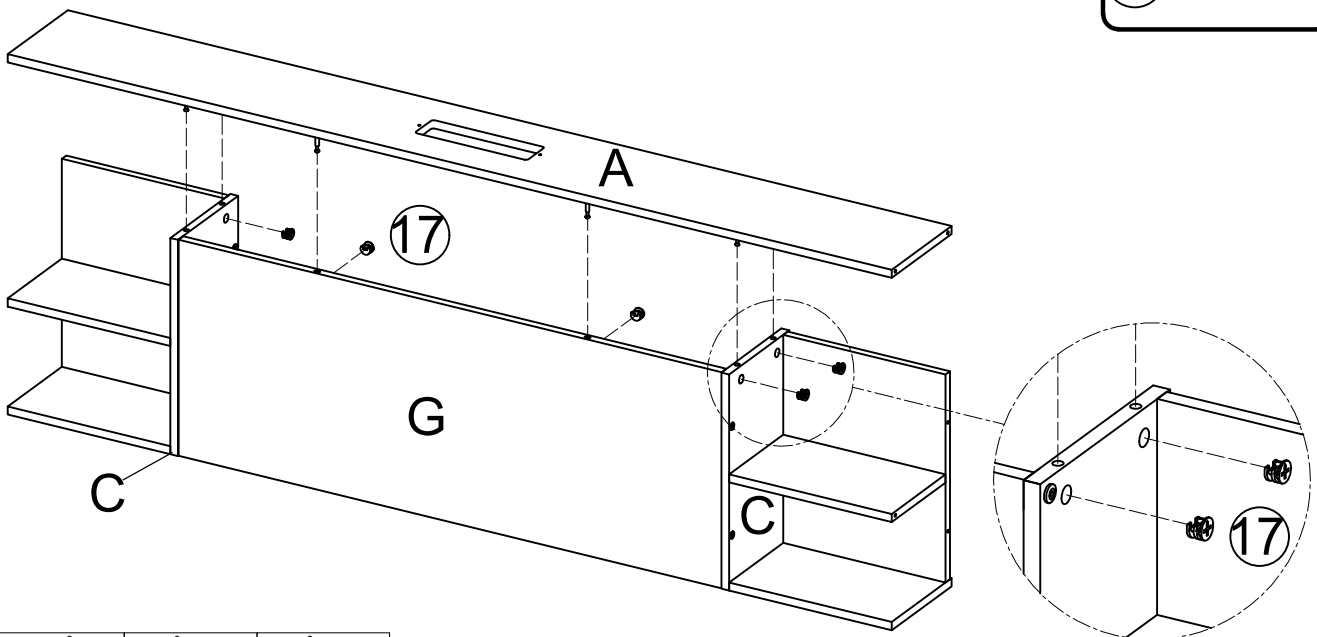
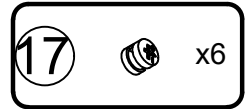
Keep the holes of the Part G toward this direction as shown



STEP 6



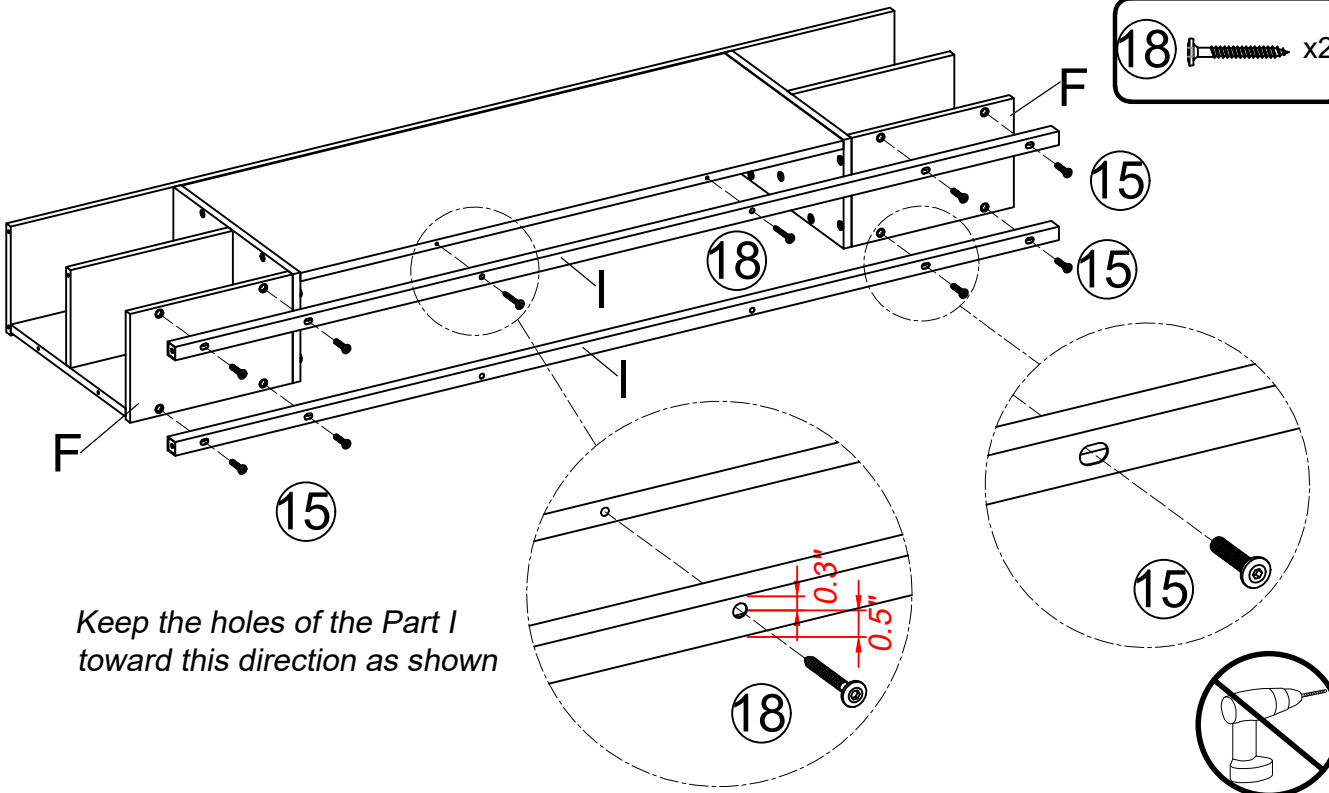
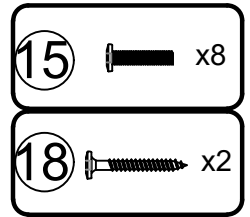
STEP 7



Please point the arrow upward to the mounting hole when installing Part 17, then use screwdriver to tighten it in the "+" direction.

Cam Lock Fastening System

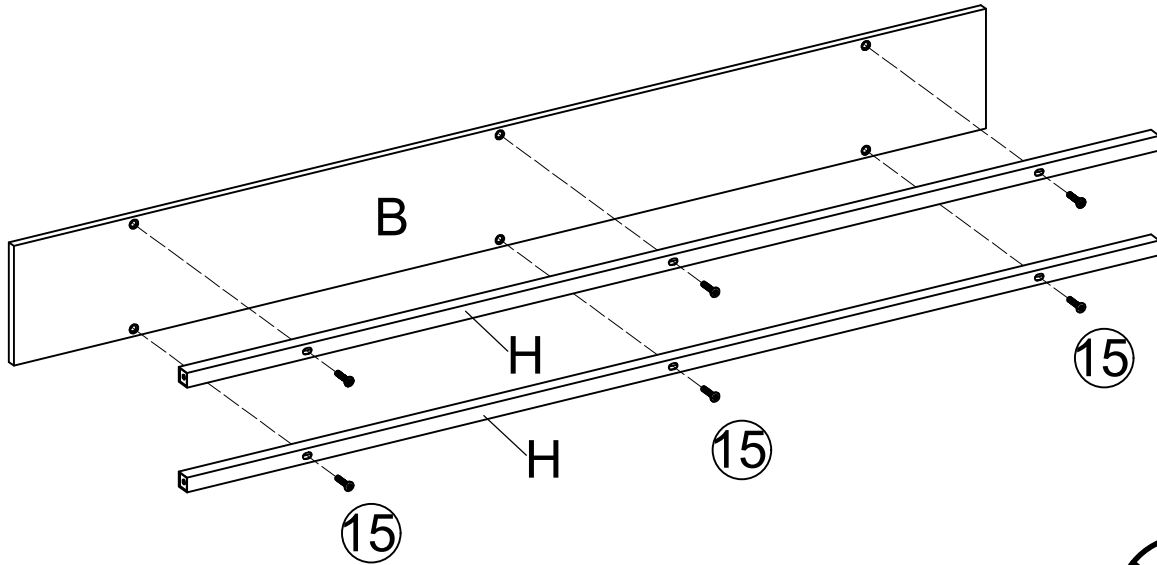
STEP 8



Keep the holes of the Part I toward this direction as shown

STEP 9

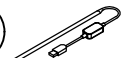
15  x6



STEP 10

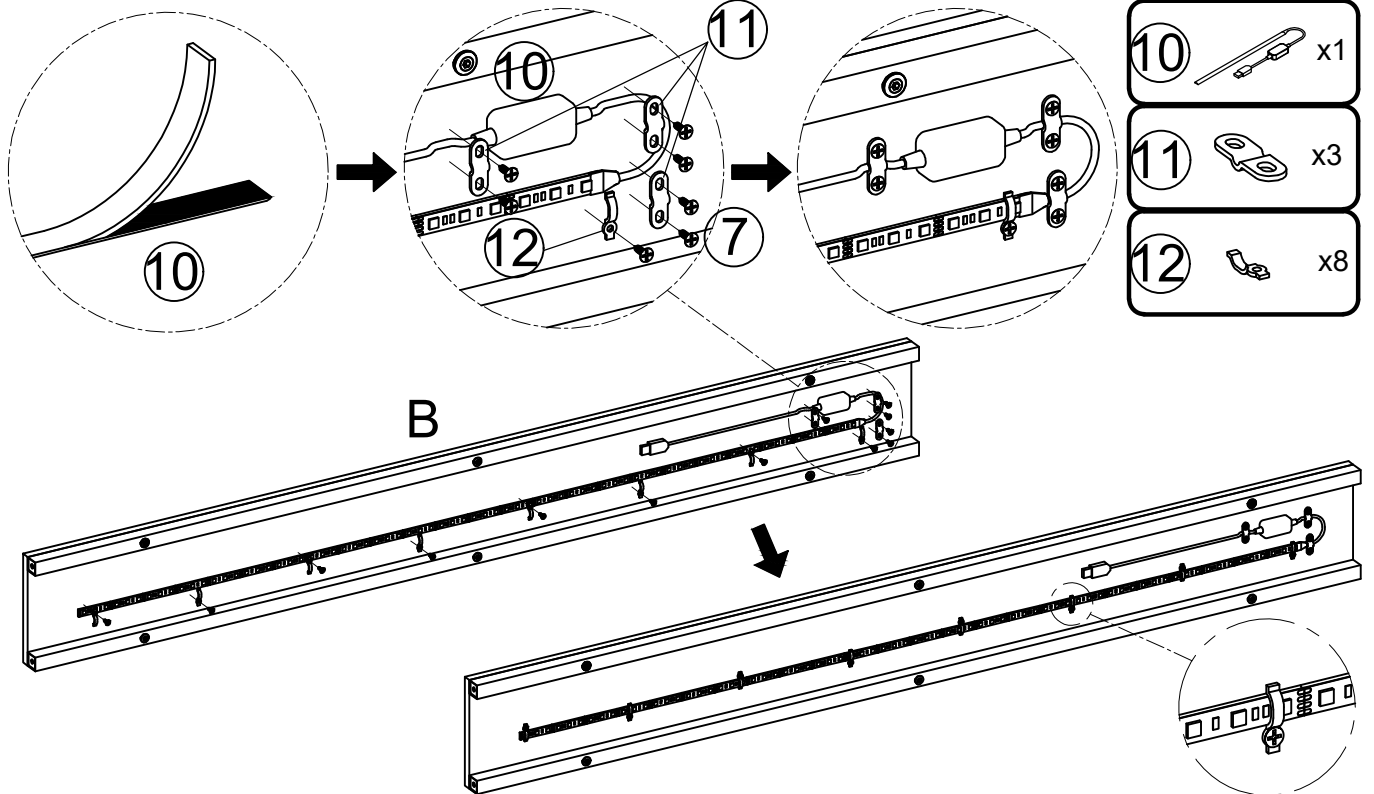
Tear off the tape of the LED strip, stick the LED strip to the bottom of top panel(B). Fix the LED strip with plastic clips. Note: Do not cover the lamp beads.

7  x14

10  x1



11  x3

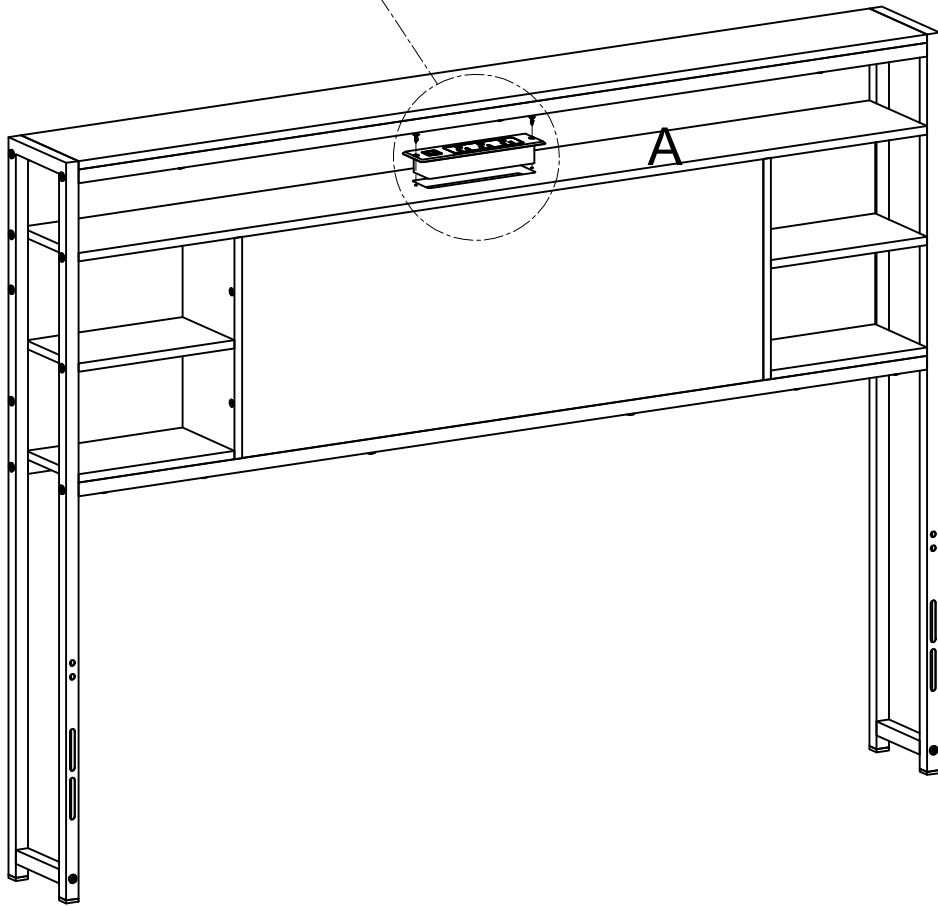
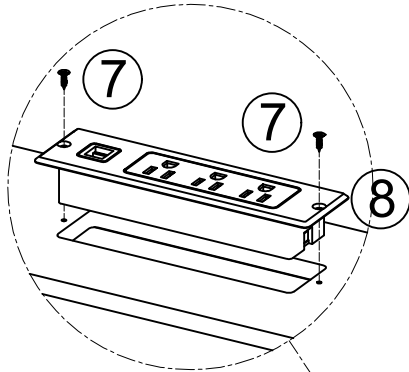
12  x8





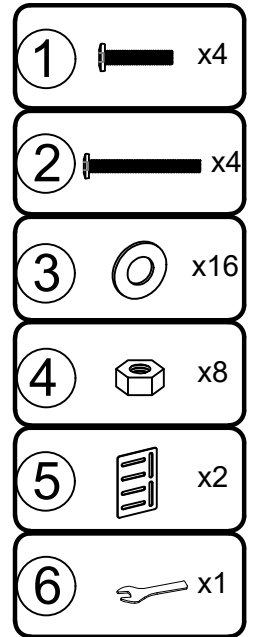
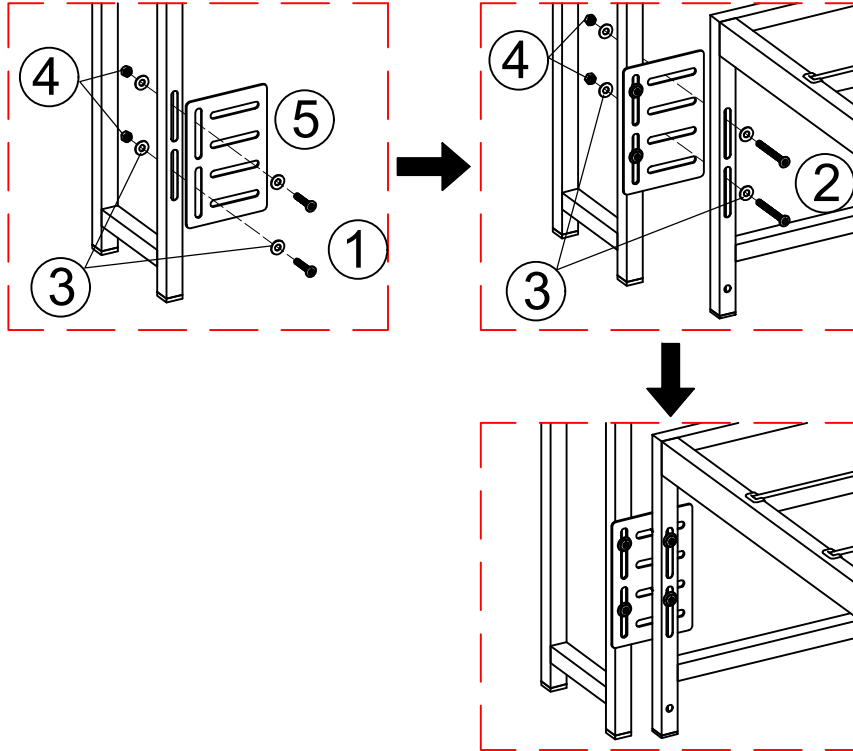
STEP 13

- 7  x2
- 8  x1



## Bed Frame Adapter

When the installation distance between the headboard bracket and the bed frame (not included) is too large or too small, an adjustable board can be used to link.



When the installation distance between the headboard bracket and the bed frame (not included) is just fine, an adjustable board can also be used to link.

